



US00D877577S

(12) **United States Design Patent** (10) **Patent No.:** **US D877,577 S**  
**Gross et al.** (45) **Date of Patent:** **\*\* Mar. 10, 2020**

(54) **SET OF MIXING BOWLS AND LID FOR A NUT MILK MAKER**

FOREIGN PATENT DOCUMENTS

CN 2013309897 7/2014

(71) Applicant: **Eternal East (HK) Ltd.**, Hong Kong (CN)

OTHER PUBLICATIONS

(72) Inventors: **Charles Brian Gross**, Cheyenne, WY (US); **Nile Robert Fedewa**, Ft Collins, CO (US)

Article "Nut of Course: Non-Dairy Milk Machine Off to the Races", Barista Magazine Online, Mar. 30, 2017. <https://www.baristamagazine.com/nut-milk-machine-brewista/>.

(Continued)

(73) Assignee: **ETERNAL EAST (HK) LTD.**, Hong Kong (CN)

*Primary Examiner* — Derrick E Holland

*Assistant Examiner* — Andrew Kerr

(\*\*) Term: **15 Years**

(74) *Attorney, Agent, or Firm* — Polson Intellectual Property Law, PC; Margaret Polson

(21) Appl. No.: **29/665,580**

(57) **CLAIM**

(22) Filed: **Oct. 4, 2018**

The ornamental design for set of mixing bowls and lid for a nut milk maker, as shown and described.

**Related U.S. Application Data**

**DESCRIPTION**

(62) Division of application No. 29/616,513, filed on Sep. 6, 2017.

(51) **LOC (12) Cl.** ..... **07-04**

(52) **U.S. Cl.**  
USPC ..... **D7/665; D7/378**

(58) **Field of Classification Search**  
USPC ..... D7/306-309, 368, 372-373, 376-386, D7/391, 397, 412-415, 507, 602, 607, D7/629, 665-666, 669, 679, 688, D7/693-694

CPC .... A47J 43/0772; A47J 43/044; A47J 43/046; A47J 43/04; A21C 1/02; B01F 3/0853

See application file for complete search history.

FIG. 1 is a front perspective view of a set of mixing bowls and lid for a nut milk maker, in use condition, showing our new design;

FIG. 2 is a front side elevation view of FIG. 1.

FIG. 3 is a back side elevation view of FIG. 1.

FIG. 4 is a left side elevation view of FIG. 1.

FIG. 5 is a right side elevation view of FIG. 1.

FIG. 6 is a top plan view of FIG. 1.

FIG. 7 is a bottom plan view of FIG. 1.

FIG. 8 is a front perspective exploded view thereof;

FIG. 9 is a front side elevation view of FIG. 8.

FIG. 10 is a back side elevation view of FIG. 8.

FIG. 11 is a left side elevation view of FIG. 8.

FIG. 12 is a right side elevation view of FIG. 8.

FIG. 13 is a top plan view of FIG. 8; and,

FIG. 14 is a bottom plan view of FIG. 8.

The broken lines in the drawings depict portions of the set of mixing bowls and lid for a nut milk maker that form no part of the claimed design.

(56) **References Cited**

U.S. PATENT DOCUMENTS

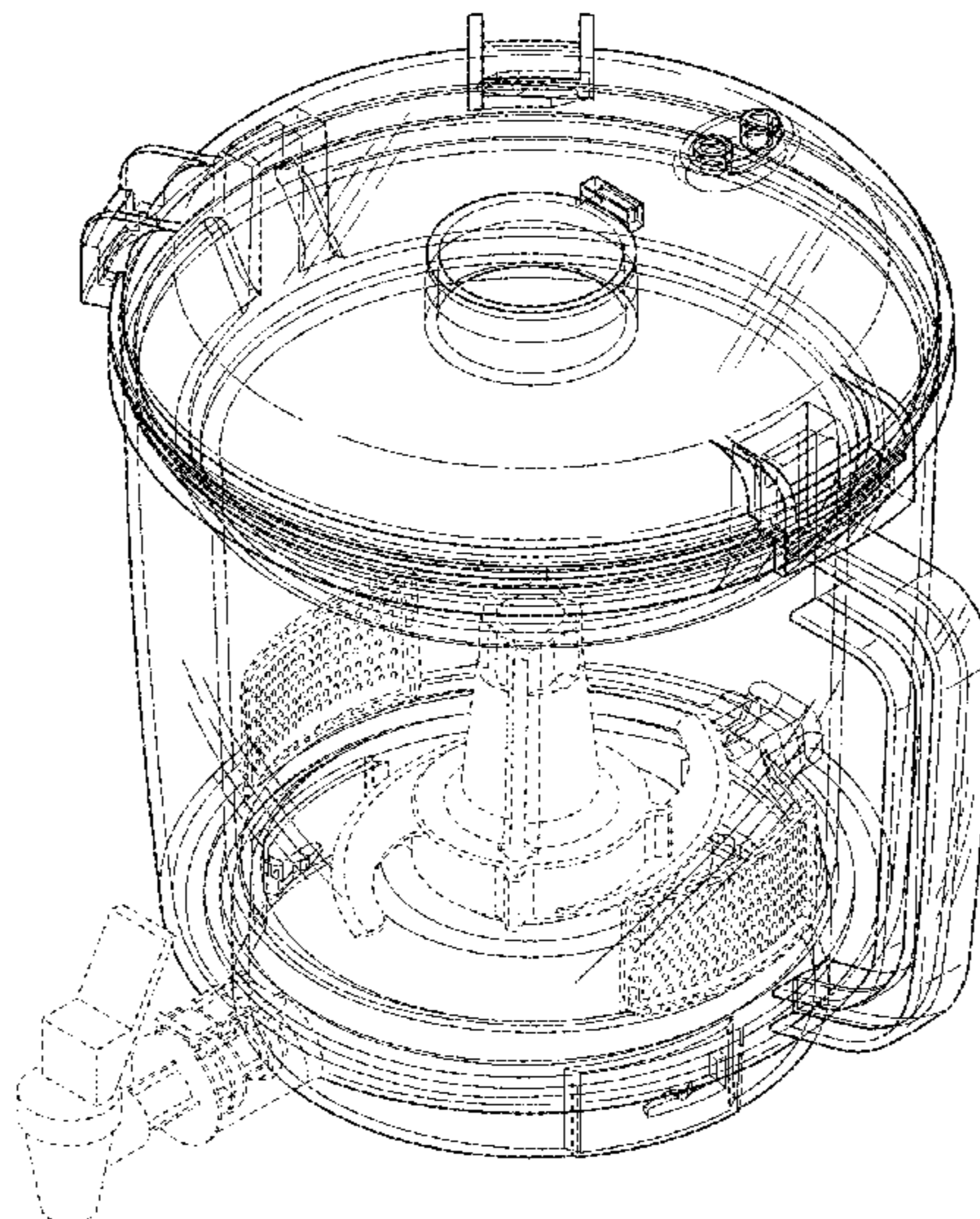
D421,201 S \* 2/2000 Crescenzi ..... D7/412

D466,363 S 12/2002 Dalton et al.

D488,344 S 4/2004 Seum et al.

(Continued)

**1 Claim, 14 Drawing Sheets**



(56)

References Cited

U.S. PATENT DOCUMENTS

D560,093 S 1/2008 Verdun  
 D625,142 S \* 10/2010 Moore ..... D7/376  
 D625,143 S 10/2010 Moore et al.  
 D625,144 S 10/2010 Moore et al.  
 D647,365 S \* 10/2011 Audette ..... D7/376  
 D663,586 S \* 7/2012 Audette ..... D7/376  
 D668,115 S \* 10/2012 Potter ..... D7/376  
 D682,607 S 5/2013 Garman et al.  
 D683,578 S 6/2013 Nordwall  
 D700,013 S \* 2/2014 Chu ..... D7/376  
 D702,993 S 4/2014 Lownds  
 D709,325 S \* 7/2014 Guo ..... D7/376  
 D711,682 S 8/2014 Norland et al.  
 D731,234 S \* 6/2015 Weaden ..... D7/376  
 D734,979 S \* 7/2015 Sanguinetti ..... D7/376  
 D739,679 S 9/2015 Benoit et al.  
 D740,621 S 10/2015 Fouquet  
 D748,428 S 2/2016 Yuan  
 D749,893 S \* 2/2016 Bazzicalupo ..... D7/376  
 D758,787 S \* 6/2016 Ou ..... D7/376  
 D760,552 S 7/2016 Kim et al.  
 D761,617 S 7/2016 Dennisur et al.  
 D764,241 S 8/2016 Lee  
 D764,863 S 8/2016 Lee et al.  
 D784,761 S 4/2017 Tu  
 D786,614 S 5/2017 Smith et al.  
 D796,260 S \* 9/2017 Weaden ..... D7/376  
 D796,896 S 9/2017 Blaise  
 D798,101 S \* 9/2017 Rose ..... D7/376  
 D799,891 S 10/2017 Lecoutre et al.  
 D807,700 S 1/2018 Tu  
 D809,342 S 2/2018 Coakley  
 D812,416 S \* 3/2018 Carlson ..... D7/384

D815,887 S 4/2018 Huang et al.  
 2006/0018189 A1 1/2006 Chien  
 2017/0303744 A1 10/2017 Sutton et al.  
 2018/0014695 A1 1/2018 Gross et al.

OTHER PUBLICATIONS

Owner's manual dated 2006 for Soyabella Model SB-130 automatic soymilk maker and coffee grinder made by Tribest Corporation. 10 pages.  
 User manual dated 2013 for Oster Designed for Life blenders made by Sunbeam Products, Inc. pp. 1-19.  
 Instruction and Recipe Booklet dated 2015 for Premier Series 9-Cup Food Processor, DLC-2009M Series, made by Cuisinart. 73 pages.  
 Owner's manual dated Mar. 20, 2012 for Hamilton Beach Food Processor. pp. 1-12.  
 Owner's Guide dated Dec. 12, 2006 for Ninja Mega Kitchen System BL770 series sold by Euro-Pro Operating LLC. 24 pages.  
 Owner's Guide dated Jun. 27, 2012 for Ninja Mega Kitchen System BL772 sold by Euro-Pro Operating LLC. 24 pages.  
 Owner's manual dated Jan. 18, 2014 for Hamilton Beach Blender. pp. 1-12.  
 Instruction and Recipe Booklet dated Apr. 29, 2015 for Peanut Butter Maker model NBM400 made by Nostalgia Products. pp. 1-12.  
 Instruction and Recipe Booklet dated May 2, 2016 for Professional Peanut Butter Maker model PBM500 made by Nostalgia Products. pp. 1-13.  
 Design Pending U.S. Appl. No. 29/616,513, filed Sep. 6, 2017. Copy not provided as this is available in the USPTO system.  
 Design Pending U.S. Appl. No. 29/596,849, filed Mar. 10, 2017. Copy not provided as this is available in The USPTO system.

\* cited by examiner

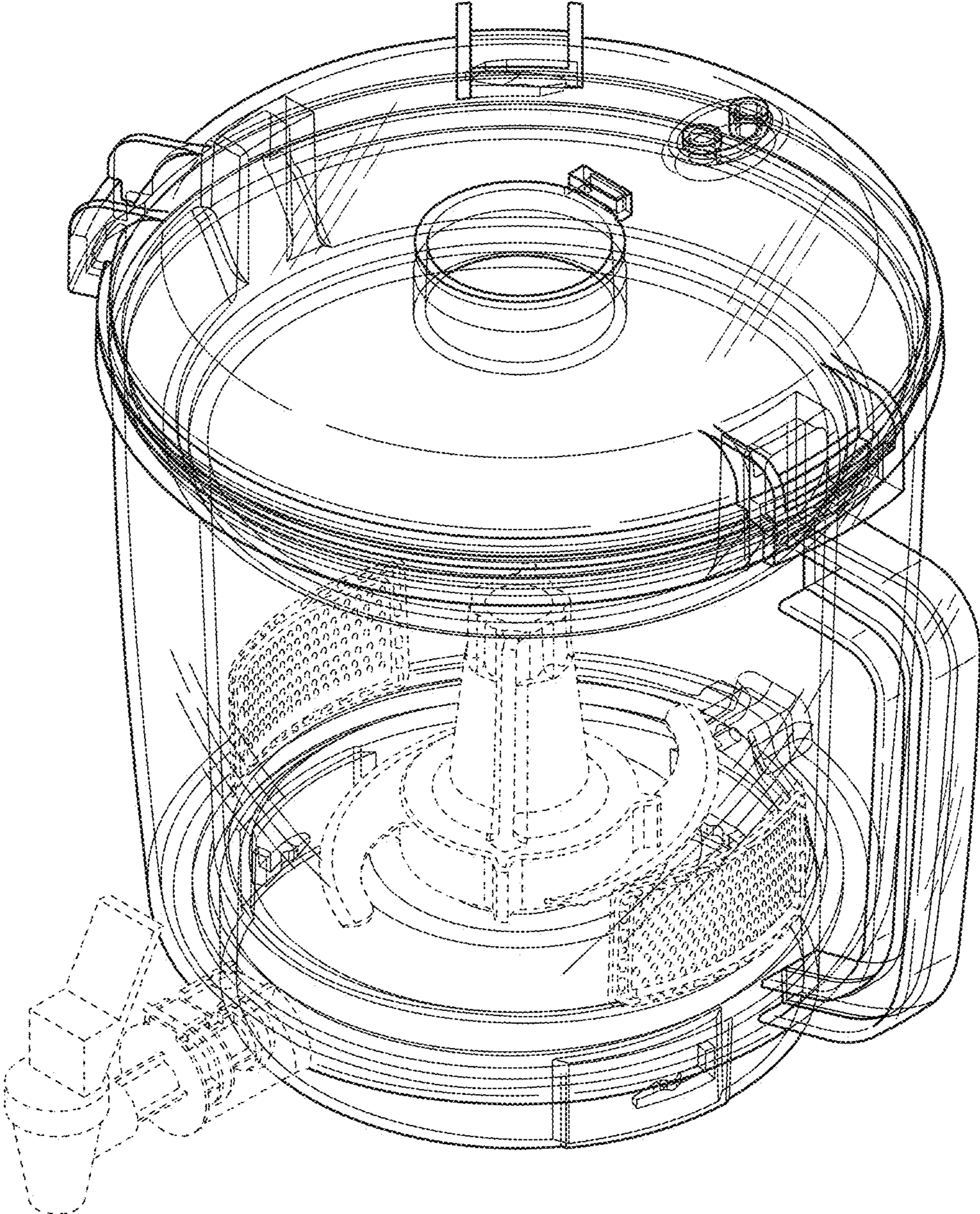


FIG. 1

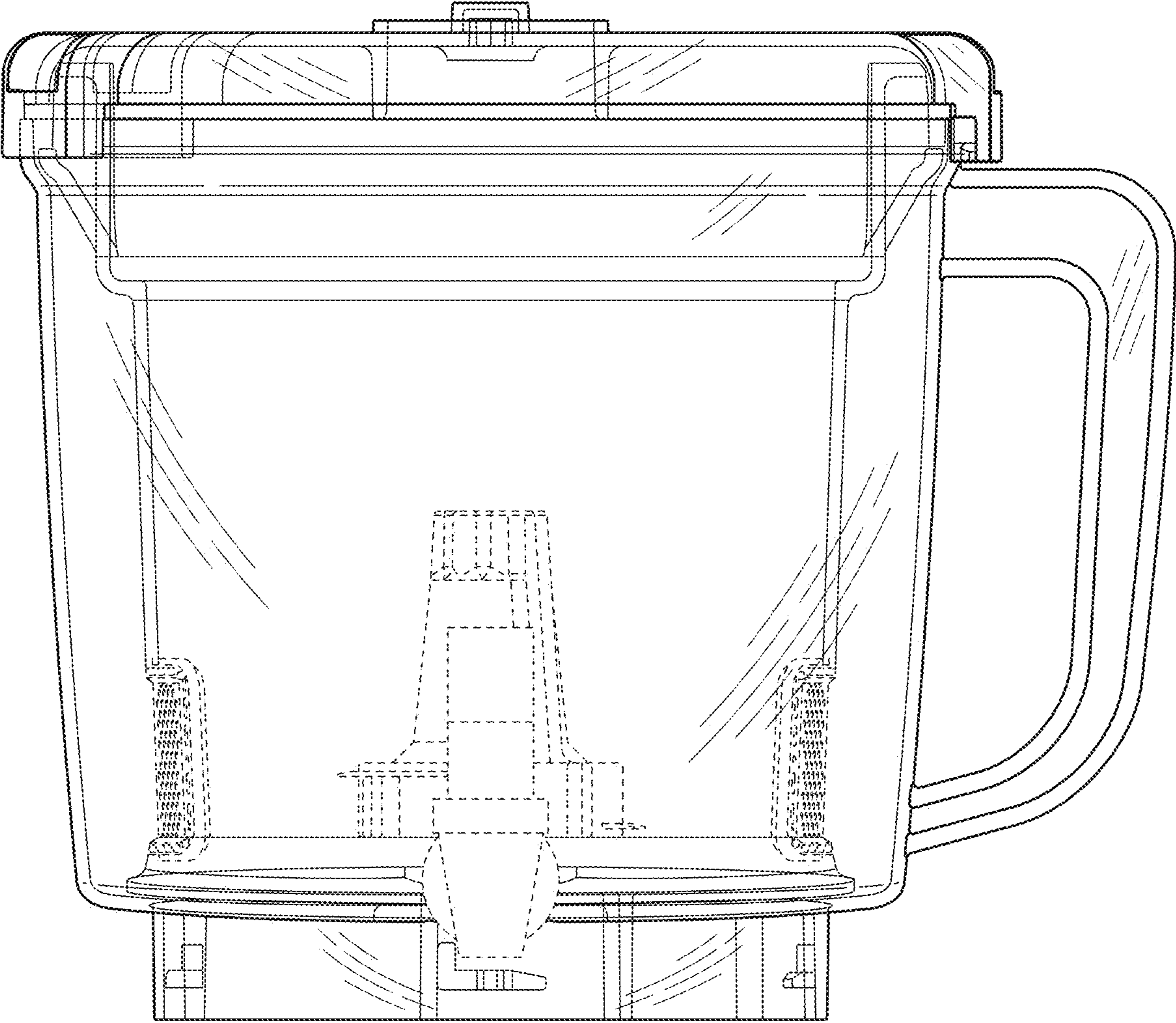


FIG. 2

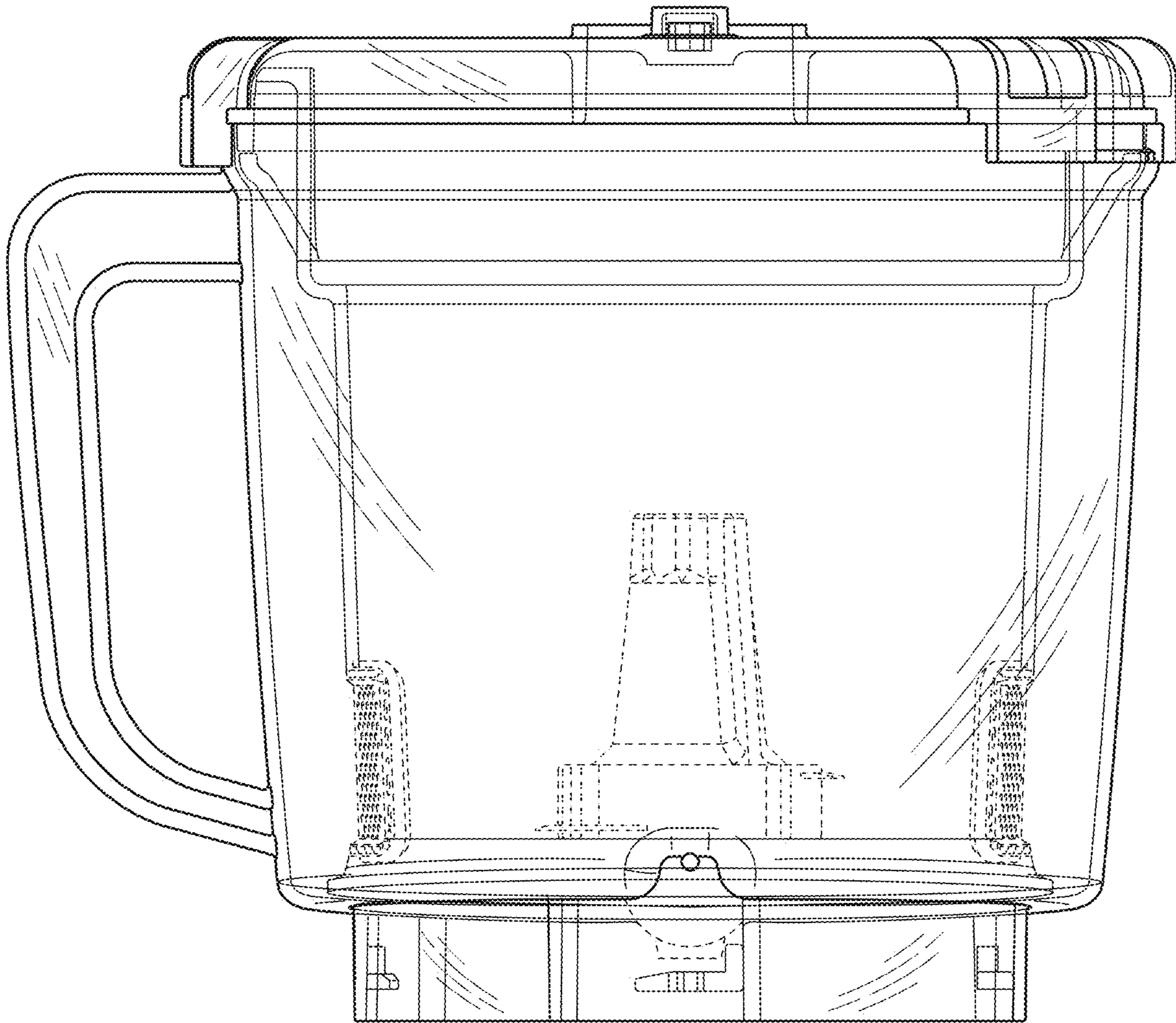


FIG. 3

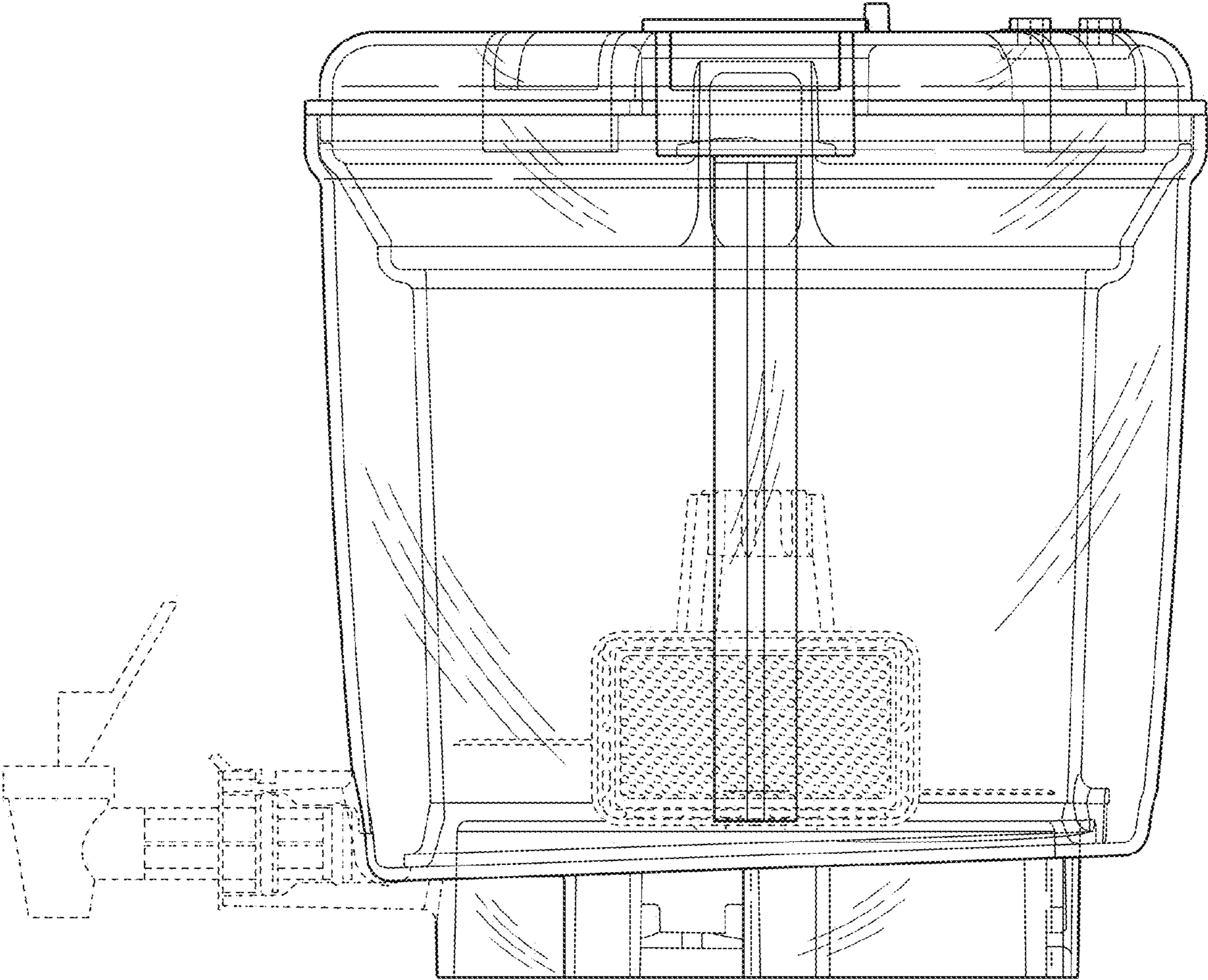


FIG. 4

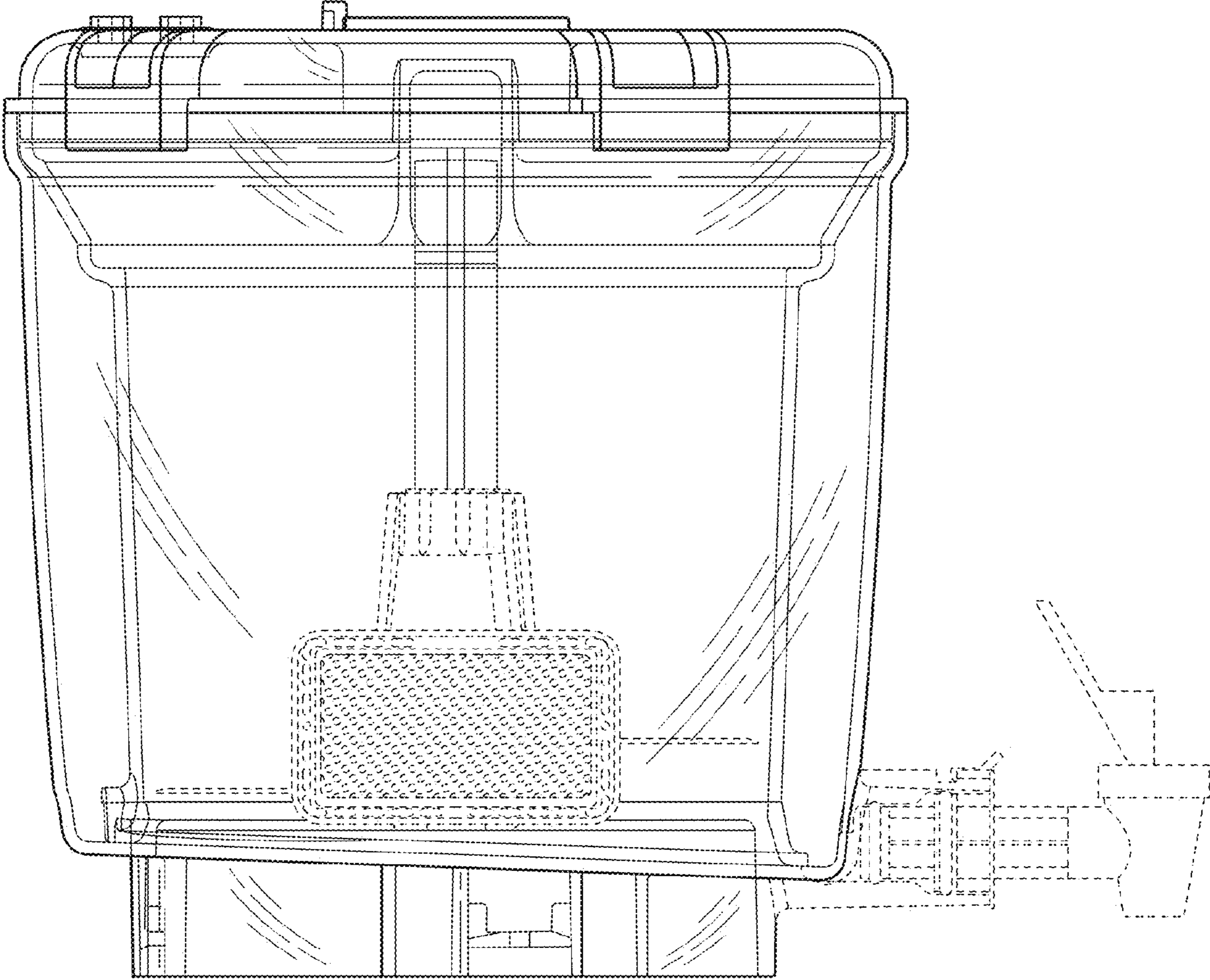


FIG. 5

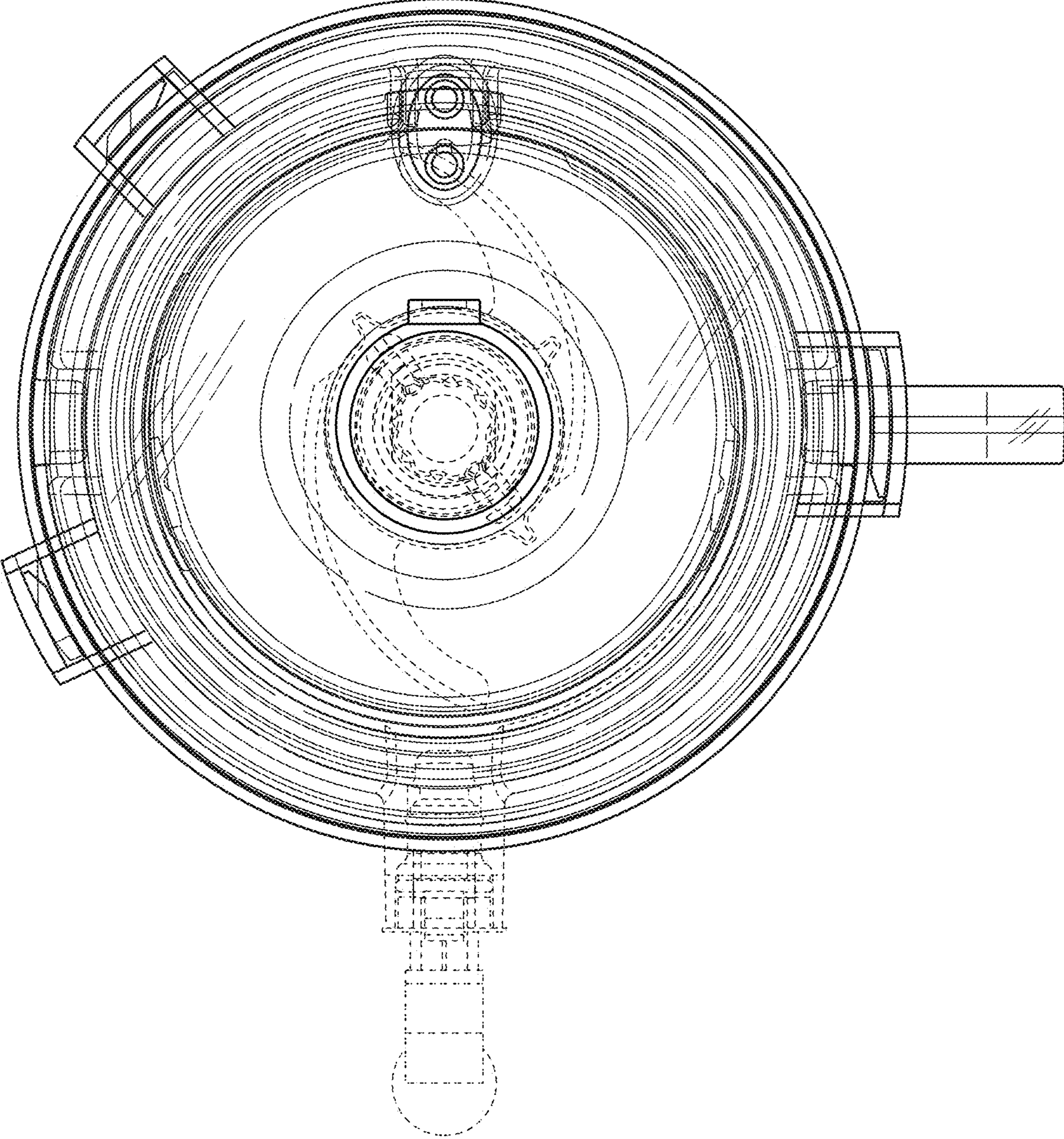


FIG. 6



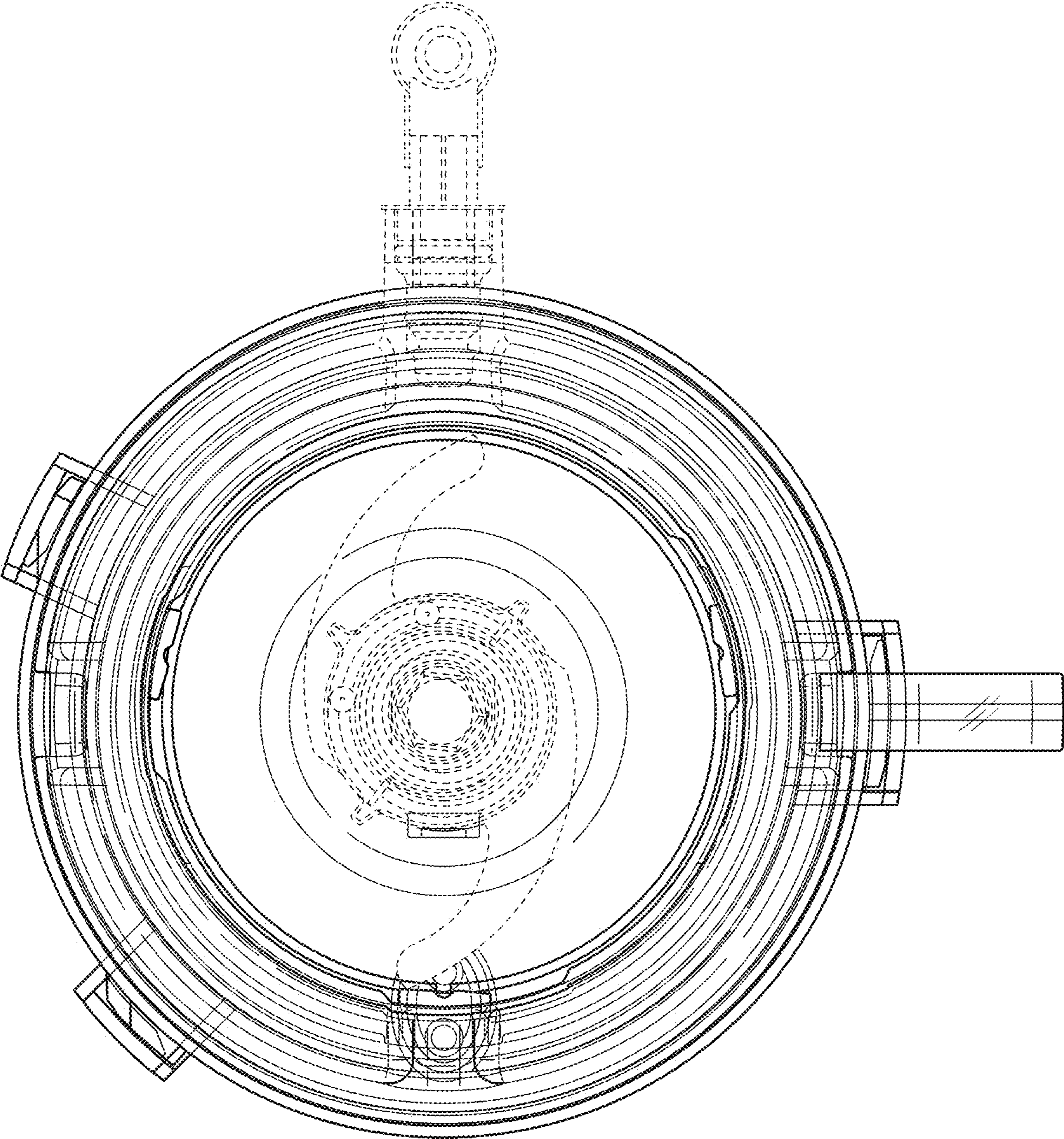


FIG. 7

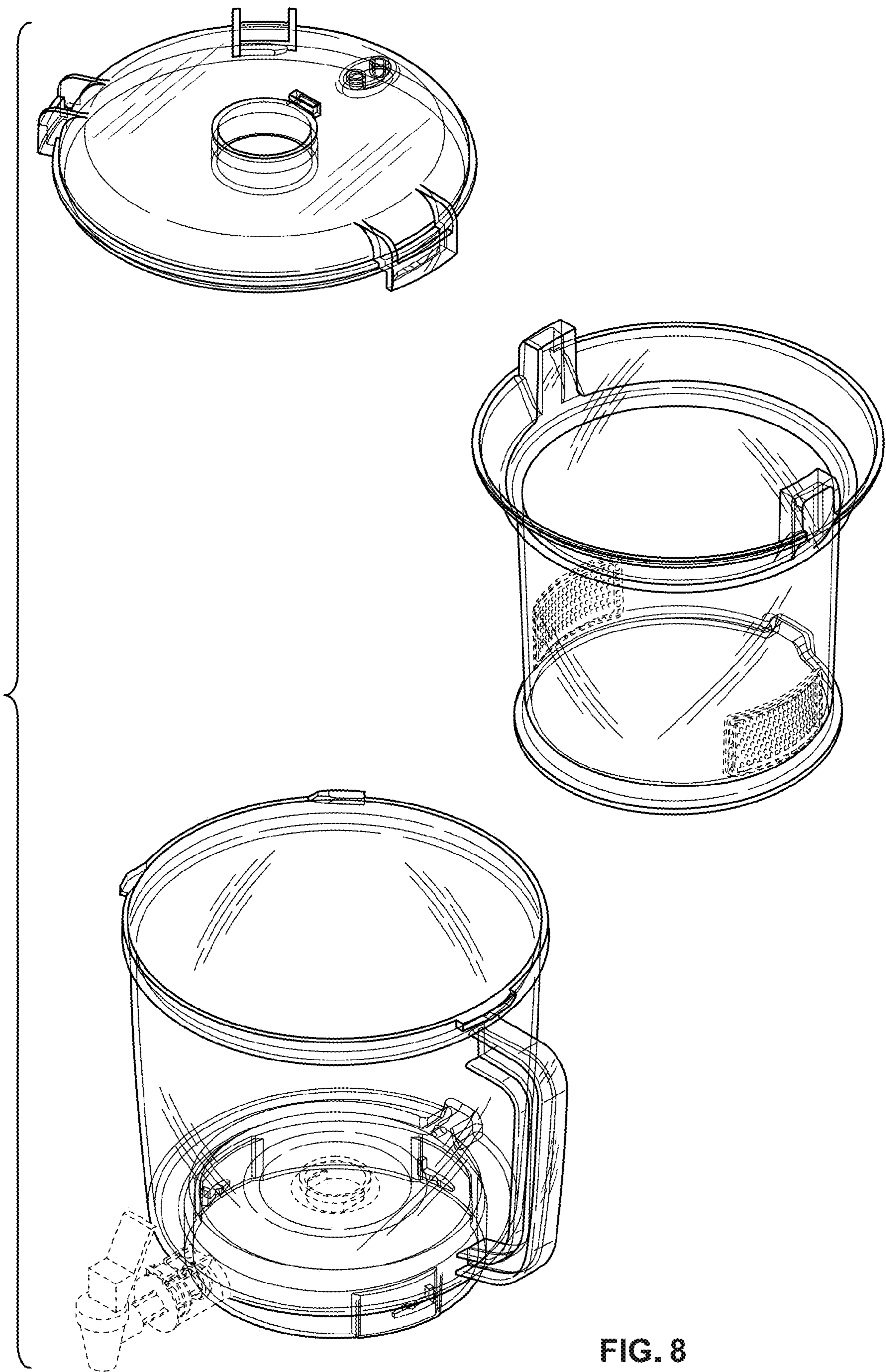


FIG. 8

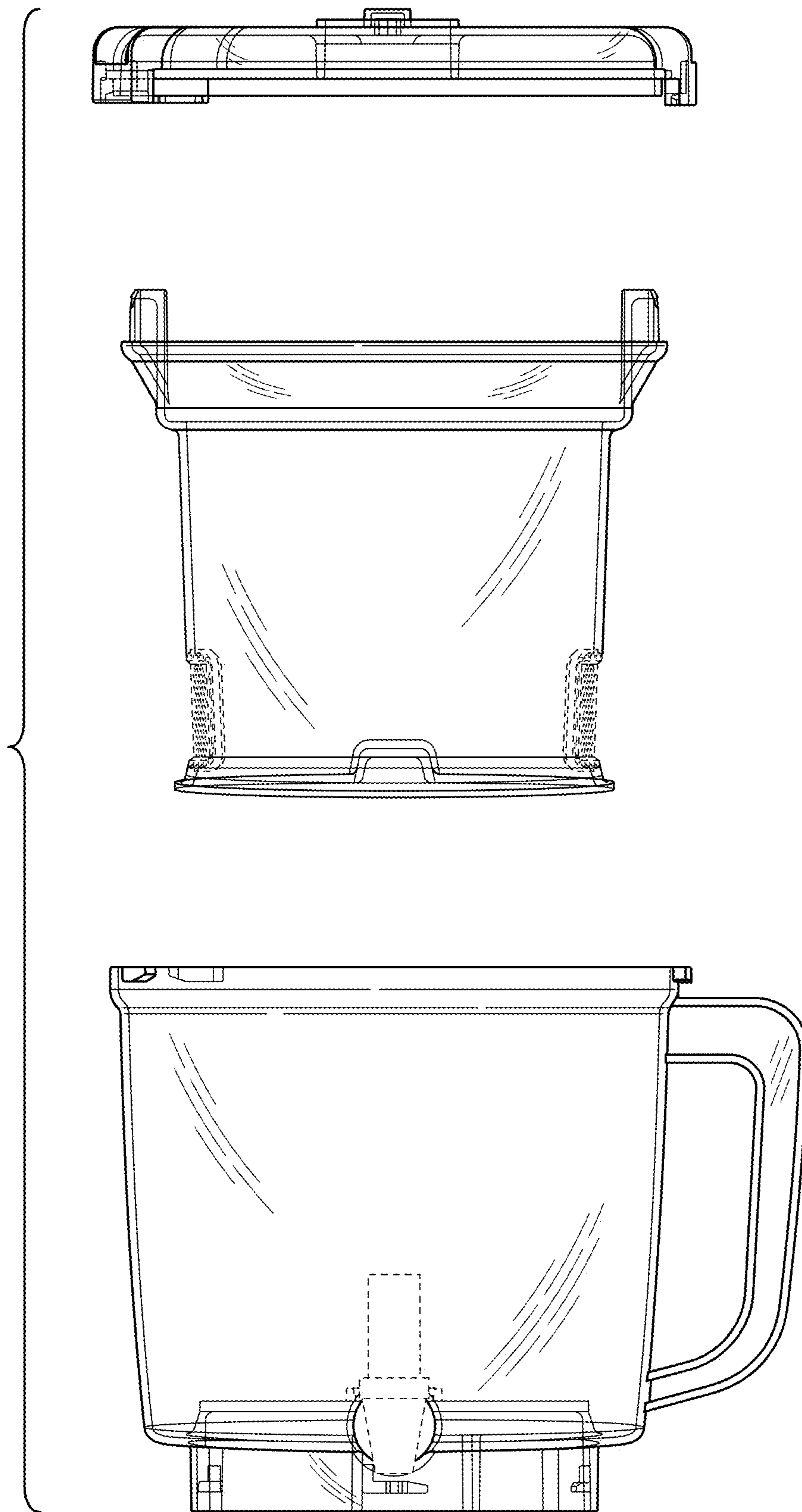


FIG. 9

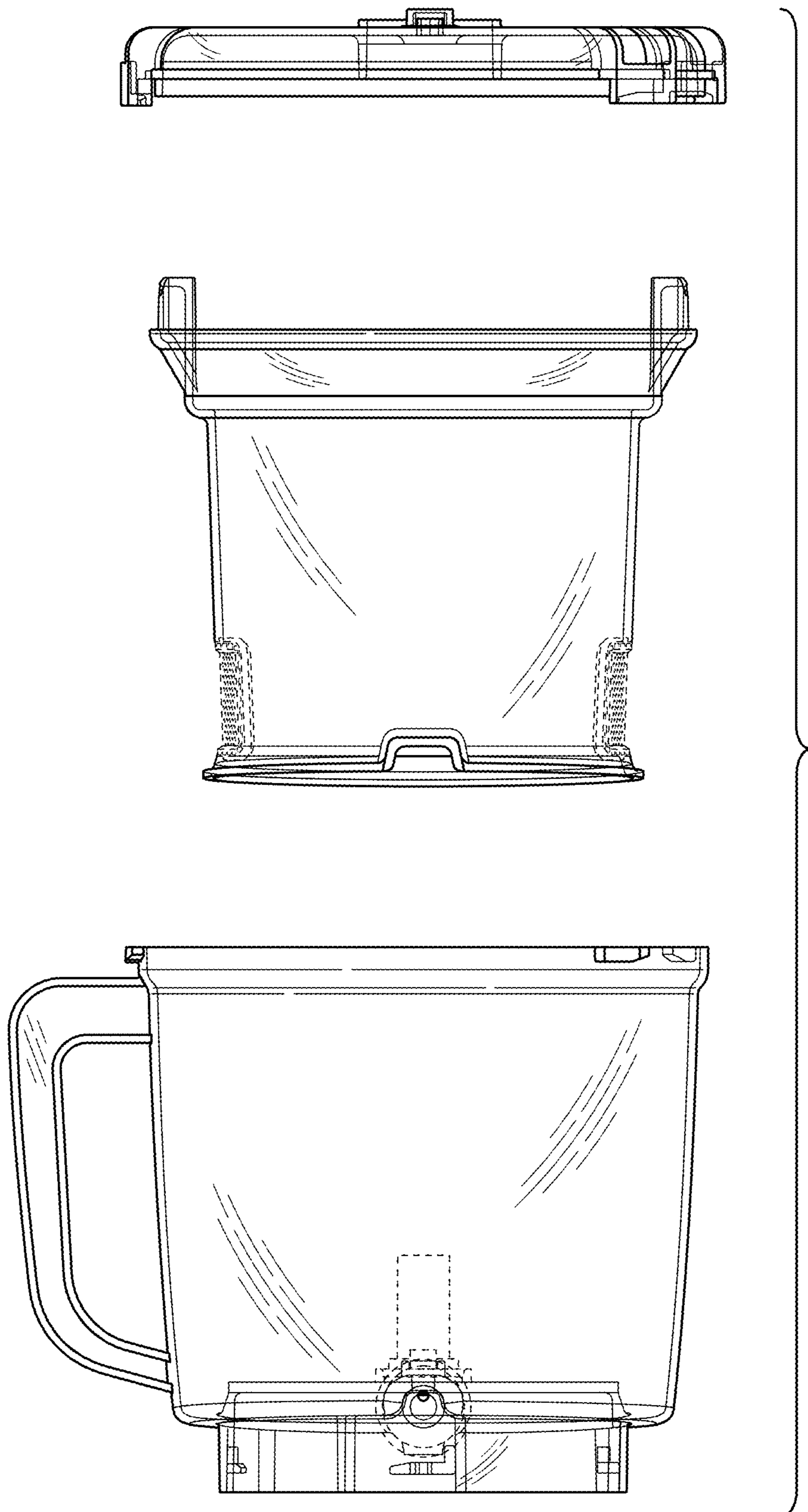


FIG. 10

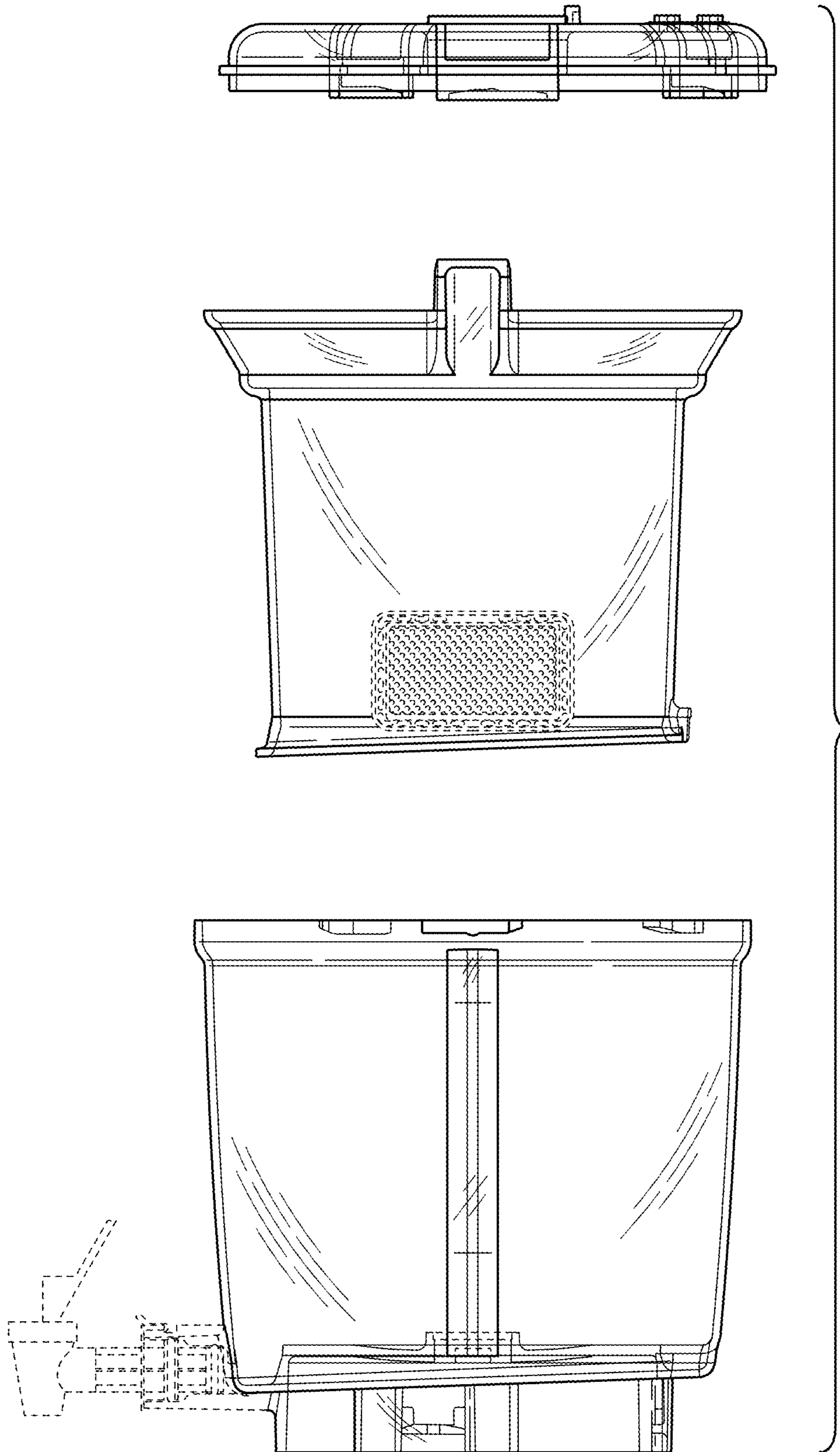


FIG. 11

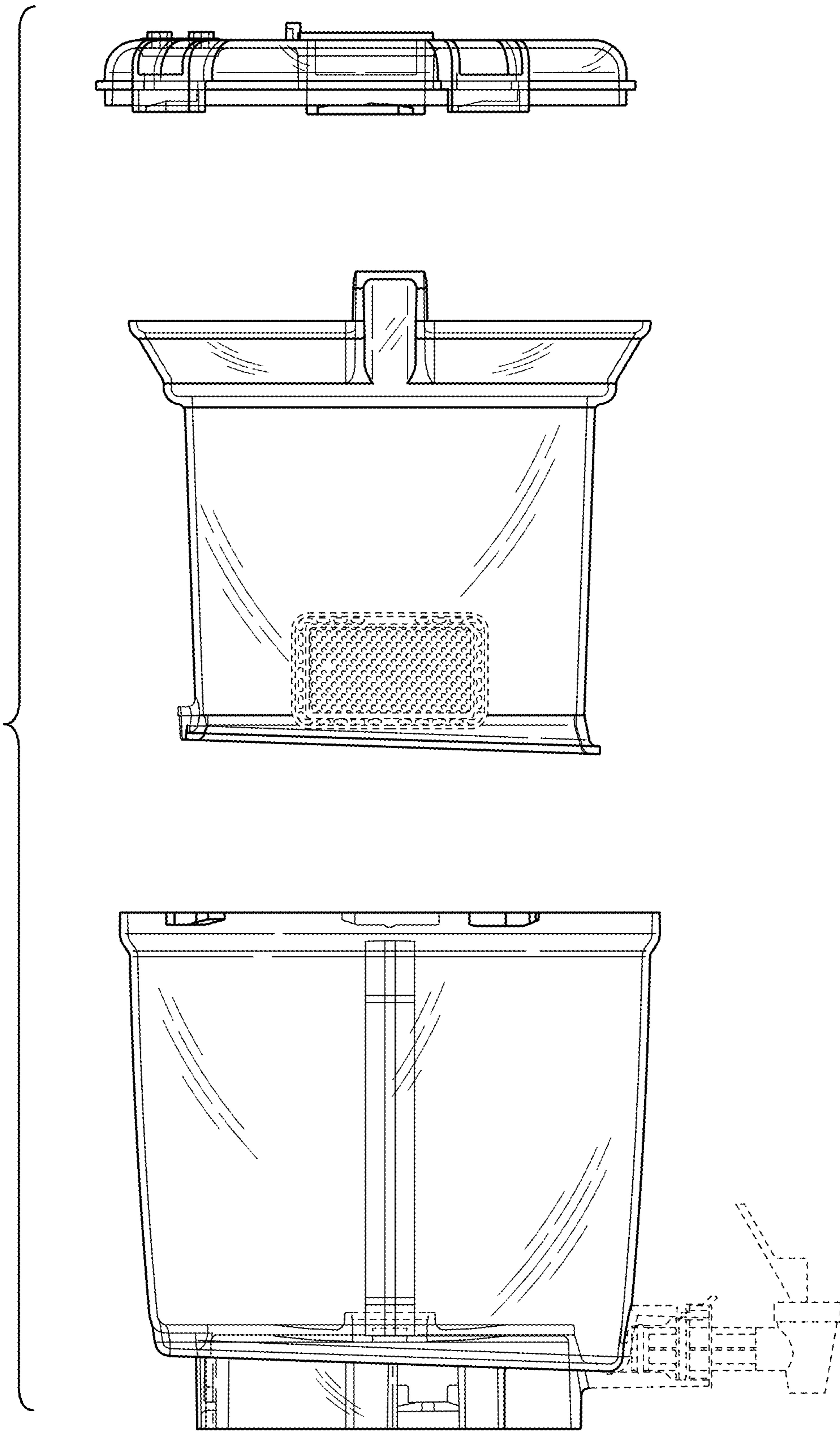


FIG. 12

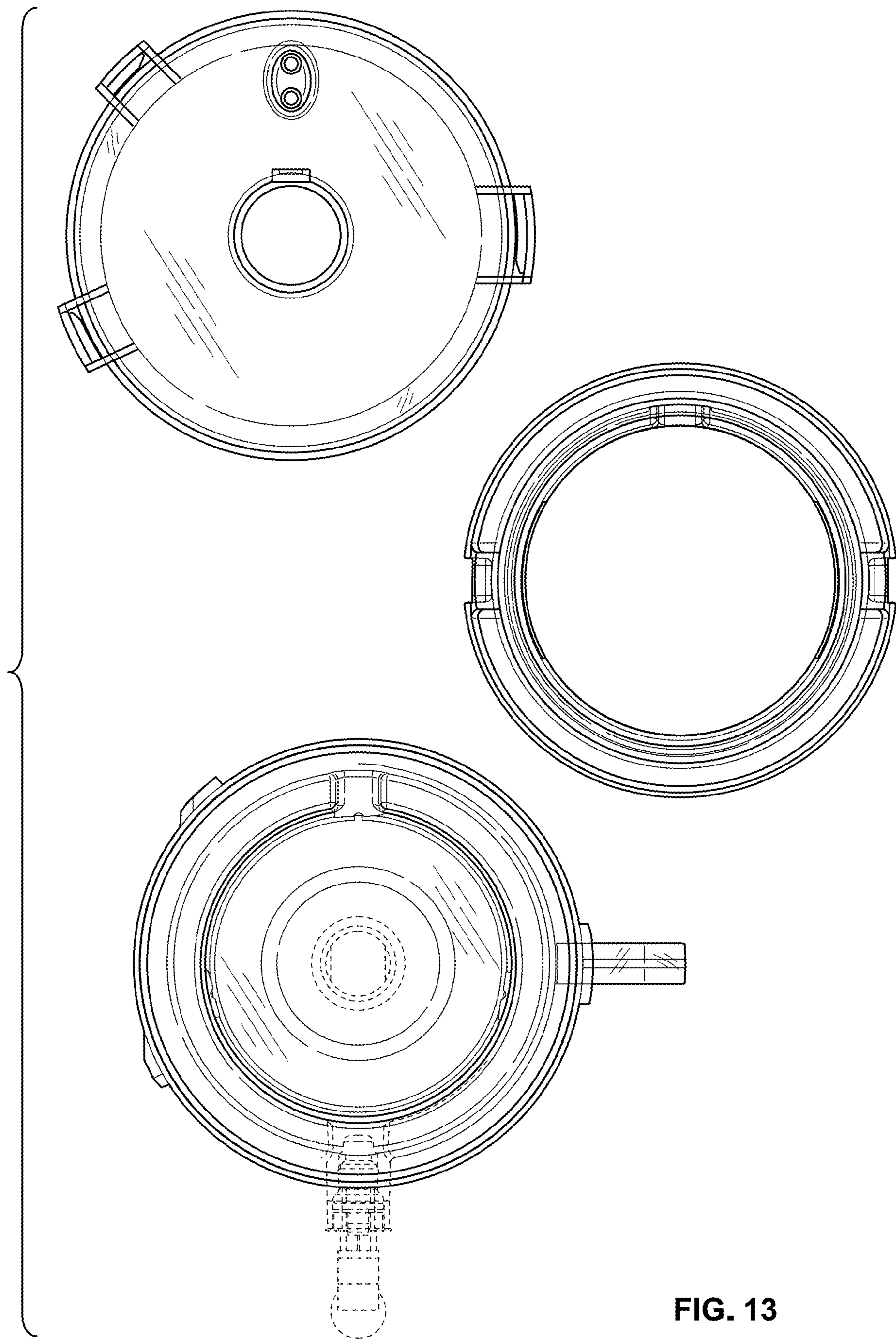


FIG. 13

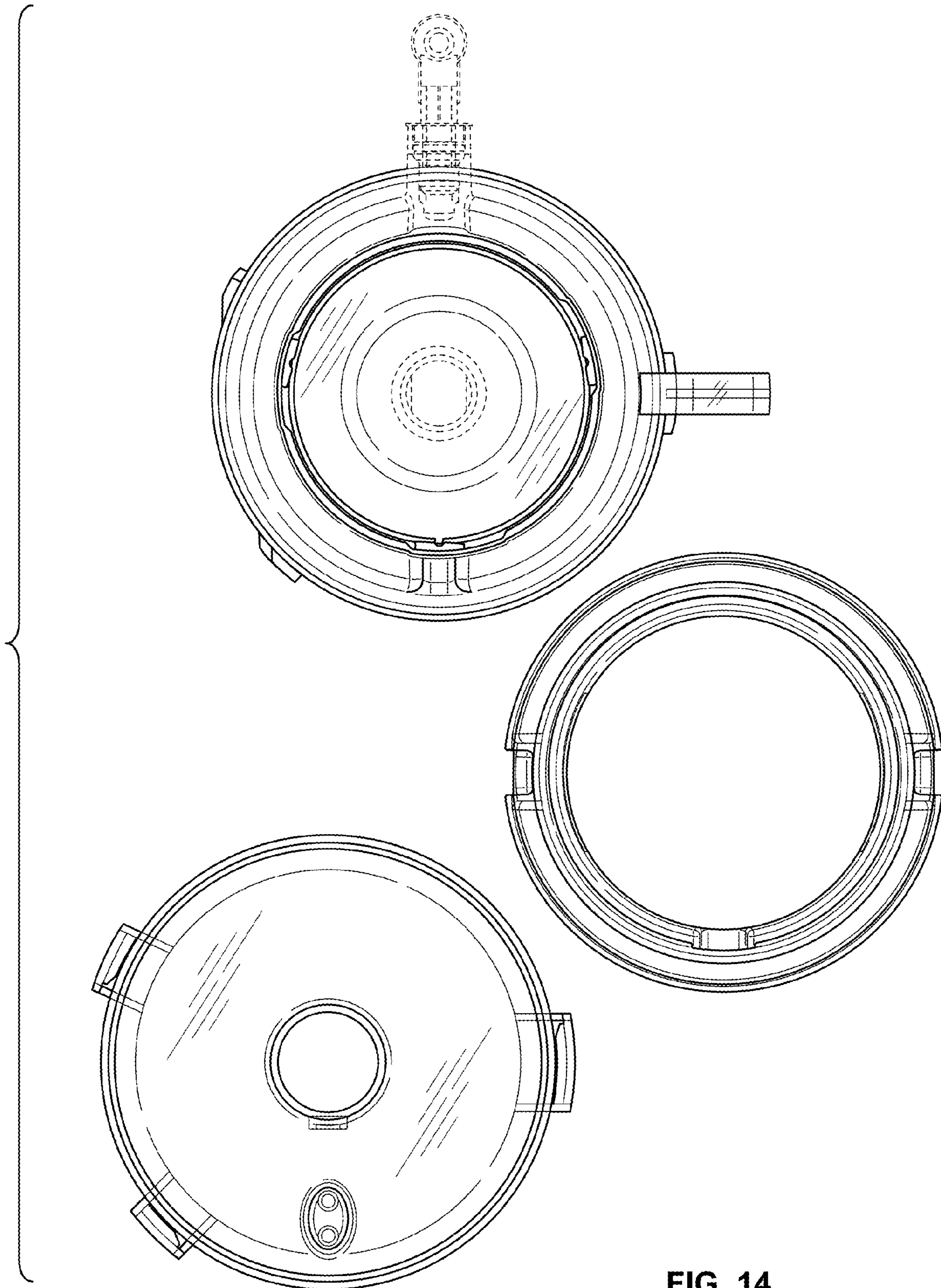


FIG. 14