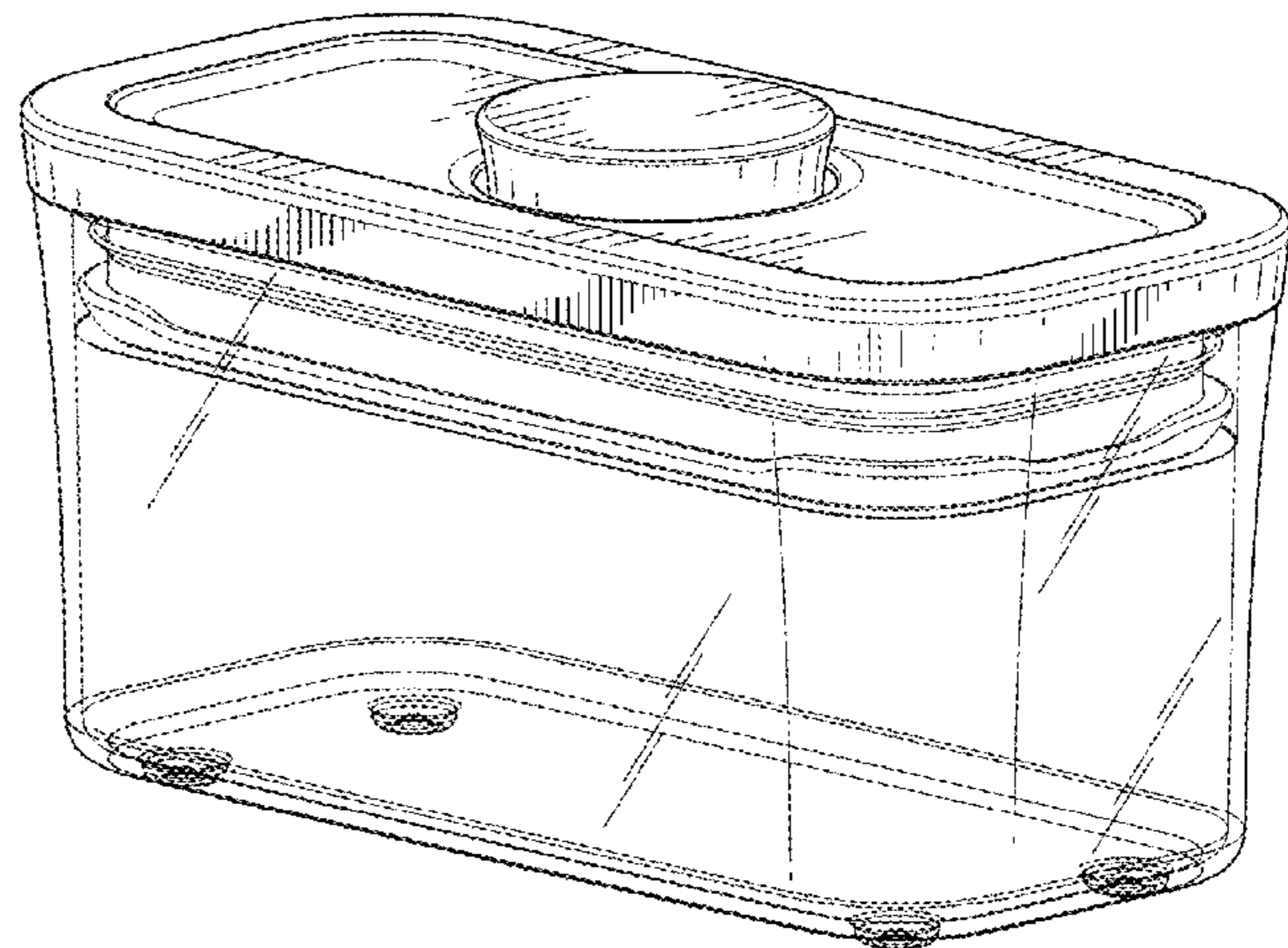




US00D877574S

(12) **United States Design Patent** (10) **Patent No.:** **US D877,574 S**  
**Pentelovitch et al.** (45) **Date of Patent:** **\*\* \*Mar. 10, 2020**

(54) CONTAINER	2,768,667 A *	10/1956 Hill	B65D 1/26 206/518
(71) Applicant: <b>Helen of Troy Limited</b> , Belleville, St. Michael (BB)	D201,455 S *	6/1965 Lindstrom	D7/540
	D274,396 S *	6/1984 Kikuchi	D7/605
	4,572,374 A *	2/1986 Sirotkin	B65D 21/064 206/505
(72) Inventors: <b>Noah Ziman Pentelovitch</b> , New York, NY (US); <b>Conor Patrick McNamara</b> , Montclair, NJ (US); <b>Makiko Kida</b> , Chiba (JP); <b>Tamotsu Matsumoto</b> , Chiba (JP); <b>Nobuyuki Ogasawara</b> , Chiba (JP); <b>Yoshinori Nagata</b> , Chiba (JP)	4,585,138 A *	4/1986 Jonkers	B65D 43/0212 220/614
	D326,391 S *	5/1992 Verchere	D34/7
	D362,180 S *	9/1995 Haines	D9/529
	D396,172 S *	7/1998 Nask	D7/615
	D403,582 S *	1/1999 Nask	D9/435
	5,896,993 A *	4/1999 Nask	B65D 21/0219 206/508
(73) Assignee: <b>Helen of Troy Limited</b> , St. Michael (BB)	D447,669 S *	9/2001 Tzeng Wu	D7/615
	D518,958 S *	4/2006 Yourist	D3/302
	D521,811 S *	5/2006 Yourist	D7/615
	D524,119 S *	7/2006 Kim	D7/615
(*) Notice: This patent is subject to a terminal disclaimer.	D527,845 S *	9/2006 Ng	D28/73
	D531,043 S *	10/2006 Houtart	D9/560
	D540,669 S *	4/2007 George	D7/392.1
	D572,086 S *	7/2008 Matsumoto	
(**) Term: <b>15 Years</b>	D592,966 S *	5/2009 Nissen	D9/560
	D610,412 S *	2/2010 Matsumoto	D7/629
(21) Appl. No.: <b>29/631,346</b>	D619,424 S *	7/2010 Yang	D7/615
	D659,530 S *	5/2012 Akana	D9/424
(22) Filed: <b>Dec. 29, 2017</b>	D669,777 S *	10/2012 Brown	D9/424
(51) <b>LOC (12) Cl.</b> ..... <b>07-07</b>	D674,248 S *	1/2013 Lindsay	D7/629
(52) <b>U.S. Cl.</b> ..... <b>D7/629</b>	D696,558 S *	12/2013 Song	D7/629
USPC ..... <b>D7/629</b>	D696,559 S *	12/2013 Song	D7/629
(58) <b>Field of Classification Search</b>	D702,547 S *	4/2014 Akana	D14/496
USPC ..... D7/629, 602, 538-542, 601, 612-615; D9/424, 428-432, 761, 414, 642, 721, 73	8,807,370 B2 *	8/2014 Lee	B65D 45/327 220/235
CPC ..... B65D 2543/00296; B65D 43/02; B65D 2543/00101; B65D 2543/00194; B65D 43/16; B65D 45/00; B65D 1/22; B65D 2203/00; B65D 2543/00592; A45C 11/20	D759,434 S *	6/2016 Duvigneau	D7/615
See application file for complete search history.	9,359,114 B2 *	6/2016 Wong	B65D 43/26
	D765,508 S *	9/2016 Wu	D9/439
	D773,931 S *	12/2016 Liu	D9/449
	D790,335 S *	6/2017 Honings	D9/424
	9,731,874 B2 *	8/2017 Luo	A47J 47/02
	D817,116 S *	5/2018 Evans	D7/629
	D817,701 S *	5/2018 Ho	D7/391
	D821,869 S *	7/2018 Cheng	D9/424
	D828,754 S *	9/2018 Liu	D9/439
	D834,377 S *	11/2018 Zoske	D7/629
	D839,664 S *	2/2019 Pentelovitch	D7/391
(56) <b>References Cited</b>	2007/0241107 A1 *	10/2007 Matsumoto	B65D 39/12 220/238
U.S. PATENT DOCUMENTS	2013/0256256 A1 *	10/2013 Krippendorf	B65D 55/12 215/200
D150,045 S * 6/1948 Zaikaner	2013/0306497 A1 *	11/2013 Llewellyn	B44D 3/12 206/1.7
D159,811 S * 8/1950 Hill	2016/0167863 A1 *	6/2016 Han	B65D 53/02 220/256.1
D162,579 S * 3/1951 Roop			
2,575,770 A * 11/1951 Roop			
D176,766 S * 1/1956 Hill			



2016/0257458 A1\* 9/2016 Pentelovitch ..... B65D 45/32  
 2016/0368671 A1\* 12/2016 Pentelovitch ..... B65D 45/327  
 2017/0247151 A1\* 8/2017 Chiou ..... B65D 43/26  
 2018/0016065 A1\* 1/2018 Ho ..... B65D 45/32

OTHER PUBLICATIONS

Amazon.com: OXO® Good Grips POP Container, [online], date first listed Oct. 2, 2001, retrieved on Apr. 8, 2019. Retrieved from, <URL: [https://www.amazon.com/dp/B000UHYB9E/ref=psdc\\_3744021\\_t1\\_B0051T93TE](https://www.amazon.com/dp/B000UHYB9E/ref=psdc_3744021_t1_B0051T93TE)>, all pages.\*

Bed Bath & Beyond—OXO® Good Grips, [online], reviewed on Apr. 8, 2015, retrieved on Apr. 8, 2019. Retrieved from, <URL: <https://www.bedbathandbeyond.com/store/product/oxo-good-grips-reg-5-piece-food-storage-pop-container-set/3262793?skuId=16108472&&mrkgcl=609&mrkgadid=3306238966&enginename=google&mcid...>>, all pages.\*

OXO® POP Canisters—YouTube, [online], posted on Apr. 28, 2015, retrieved on Apr. 8, 2019. Retrieved from, <URL: <https://www.youtube.com/watch?v=DTujNDIRMZM>>, all pages.\*

Amazon.com: OXO® Steel POP Container, [online], first listed May 20, 2011, retrieved on Apr. 8, 2019. Retrieved from, <URL: [https://www.amazon.com/OXO-Steel-POP-Container-Airtight/dp/B0051T93TE/ref=cm\\_cr\\_arp\\_d\\_product\\_top?ie=UTF8](https://www.amazon.com/OXO-Steel-POP-Container-Airtight/dp/B0051T93TE/ref=cm_cr_arp_d_product_top?ie=UTF8)>, all pages.\* <https://www.oxo.com/products/storage-organization/food/pop-container-rectangle-0-5-qt-0-5l> (website published prior to Dec. 29, 2016).

<https://www.target.com/s/oxo+softworks+pop+containers> (website published prior to Dec. 29, 2016).

Airtight POP Container Square 0.9 Qt for Brown Sugar | OXO (<https://www.oxo.com/categories/cooking-and-baking/food-containers/pop-containers/pop-container-sm-square-0-9-qt-0-9-l.html>) publicly available prior to Dec. 29, 2017.

POP Container Square 25 Qt for Rice | OXO Good Grips (<https://www.oxo.com/categories/cooking-and-baking/food-containers/pop-containers/pop-container-rectangle-2-5-qt-2-3-l.html>) publicly available prior to Dec. 29, 2017.

\* cited by examiner

Primary Examiner — Terry A Wallace  
 (74) Attorney, Agent, or Firm — Rankin, Hill & Clark LLP

(57) CLAIM

The ornamental design for a container, as shown and described.

DESCRIPTION

FIG. 1 is an upper perspective view of a container with a button in an extended position according to a first embodiment;

FIG. 2 is another upper perspective view thereof with the button in a depressed position;

FIG. 3 is a lower perspective view thereof;

FIG. 4 is a front elevation view thereof with the button in the extended position, and the rear being identical;

FIG. 5 is a front elevation view thereof with the button in the depressed position, and the rear being identical;

FIG. 6 is a side elevation view thereof with the button in the extended position, and the opposite side being identical;

FIG. 7 is a side elevation view thereof with the button in the depressed position, and the opposite side being identical;

FIG. 8 is a top plan view thereof;

FIG. 9 is a bottom plan view thereof;

FIG. 10 is an upper perspective view of a container with the button in an extended position according to a second embodiment;

FIG. 11 is another upper perspective view thereof with the button in a depressed position;

FIG. 12 is a lower perspective view thereof;

FIG. 13 is a front elevation view thereof with the button in the extended position, and the rear being identical;

FIG. 14 is a front elevation view thereof with the button in the depressed position, and the rear being identical;

FIG. 15 is a side elevation view thereof with the button in the extended position, and the opposite side being identical;

FIG. 16 is a side elevation view thereof with the button in the depressed position, and the opposite side being identical;

FIG. 17 is a top plan view thereof;

FIG. 18 is a bottom plan view thereof;

FIG. 19 is an upper perspective view of a container with a button in an extended position according to a third embodiment;

FIG. 20 is another upper perspective view thereof with the button in a depressed position;

FIG. 21 is a lower perspective view thereof;

FIG. 22 is a front elevation view thereof with the button in the extended position, and the rear being identical;

FIG. 23 is a front elevation view thereof with the button in the depressed position, and the rear being identical;

FIG. 24 is a side elevation view thereof with the button in the extended position, and the opposite side being identical;

FIG. 25 is a side elevation view thereof with the button in the depressed position, and the opposite side being identical;

FIG. 26 is a top plan view thereof;

FIG. 27 is a bottom plan view thereof;

FIG. 28 is an upper perspective view of a container with a button in an extended position according to a fourth embodiment;

FIG. 29 is another upper perspective view thereof with the button in a depressed position;

FIG. 30 is a lower perspective view thereof;

FIG. 31 is a front elevation view thereof with the button in the extended position, and the rear being identical;

FIG. 32 is a front elevation view thereof with the button in the depressed position, and the rear being identical;

FIG. 33 is a side elevation view thereof with the button in the extended position, and the opposite side being identical;

FIG. 34 is a side elevation view thereof with the button in the depressed position, and the opposite side being identical;

FIG. 35 is a top plan view thereof; and,

FIG. 36 is a bottom plan view thereof.

The container is shown broken along the height direction in FIGS. 28-34 to indicate indeterminate height, with the understanding the “indeterminate” height portion of the container not shown forms no part of the claimed design. Patentability is based only on those portions of the article that are shown in solid lines.

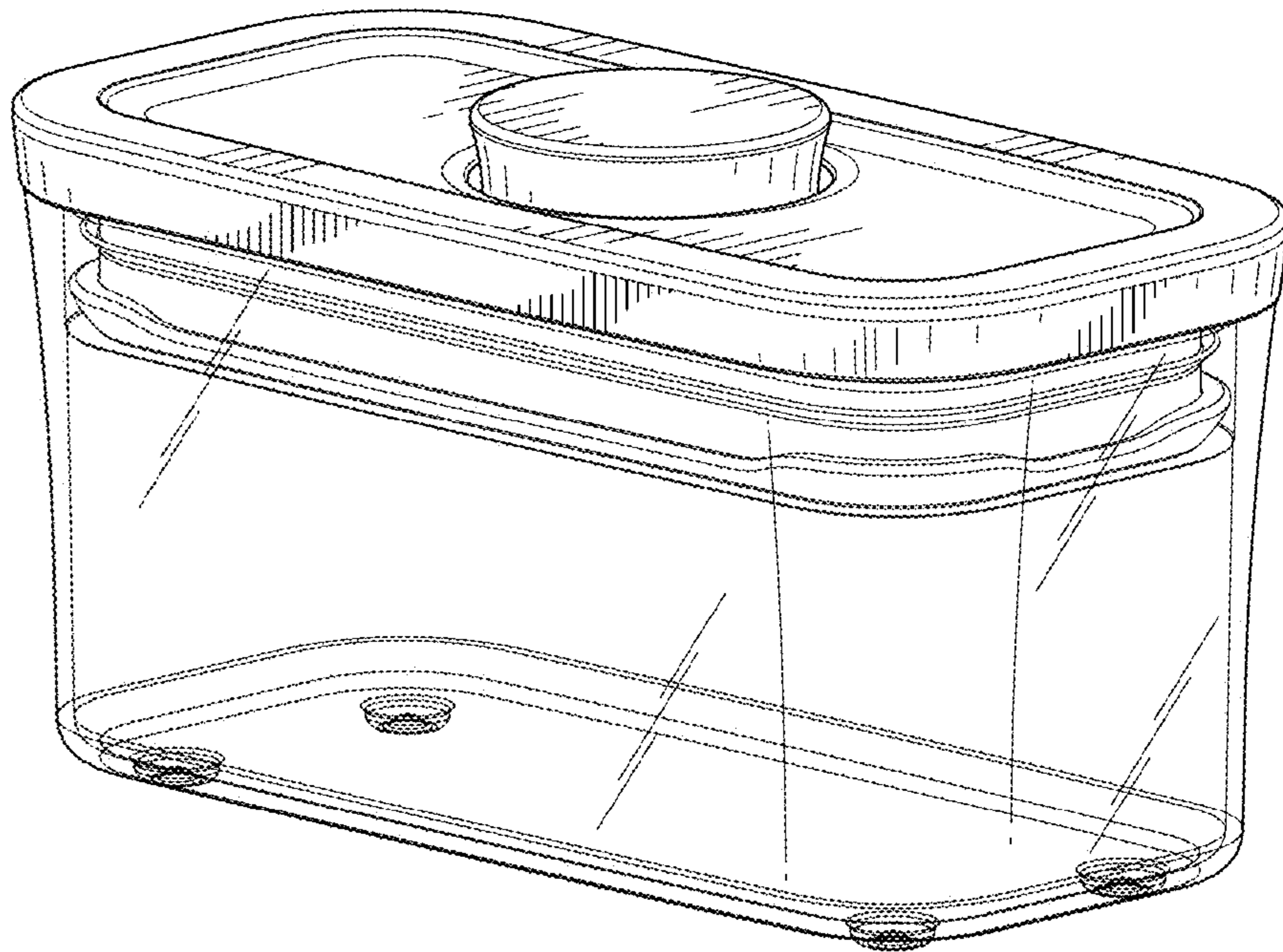


FIG. 1

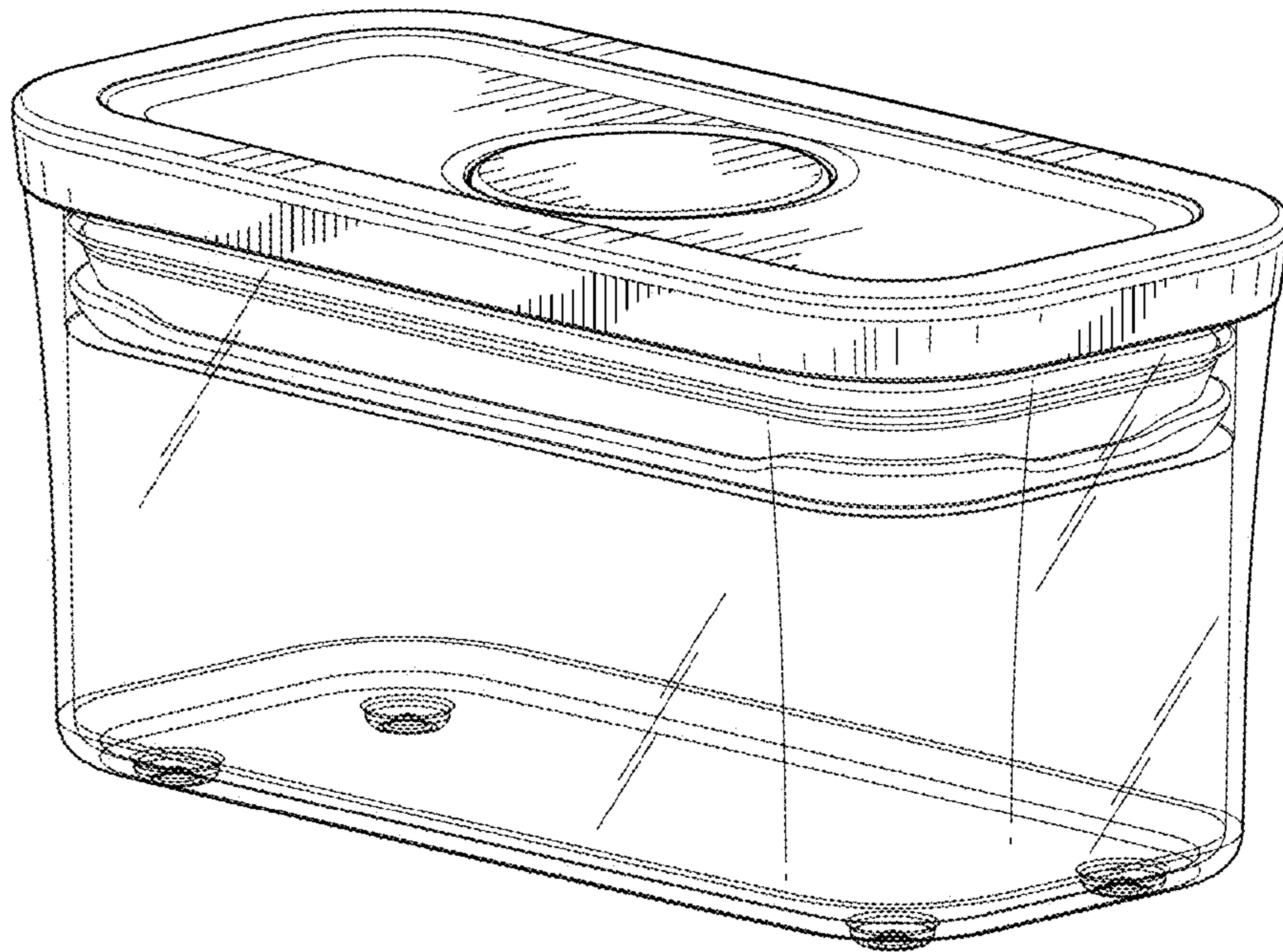


FIG. 2

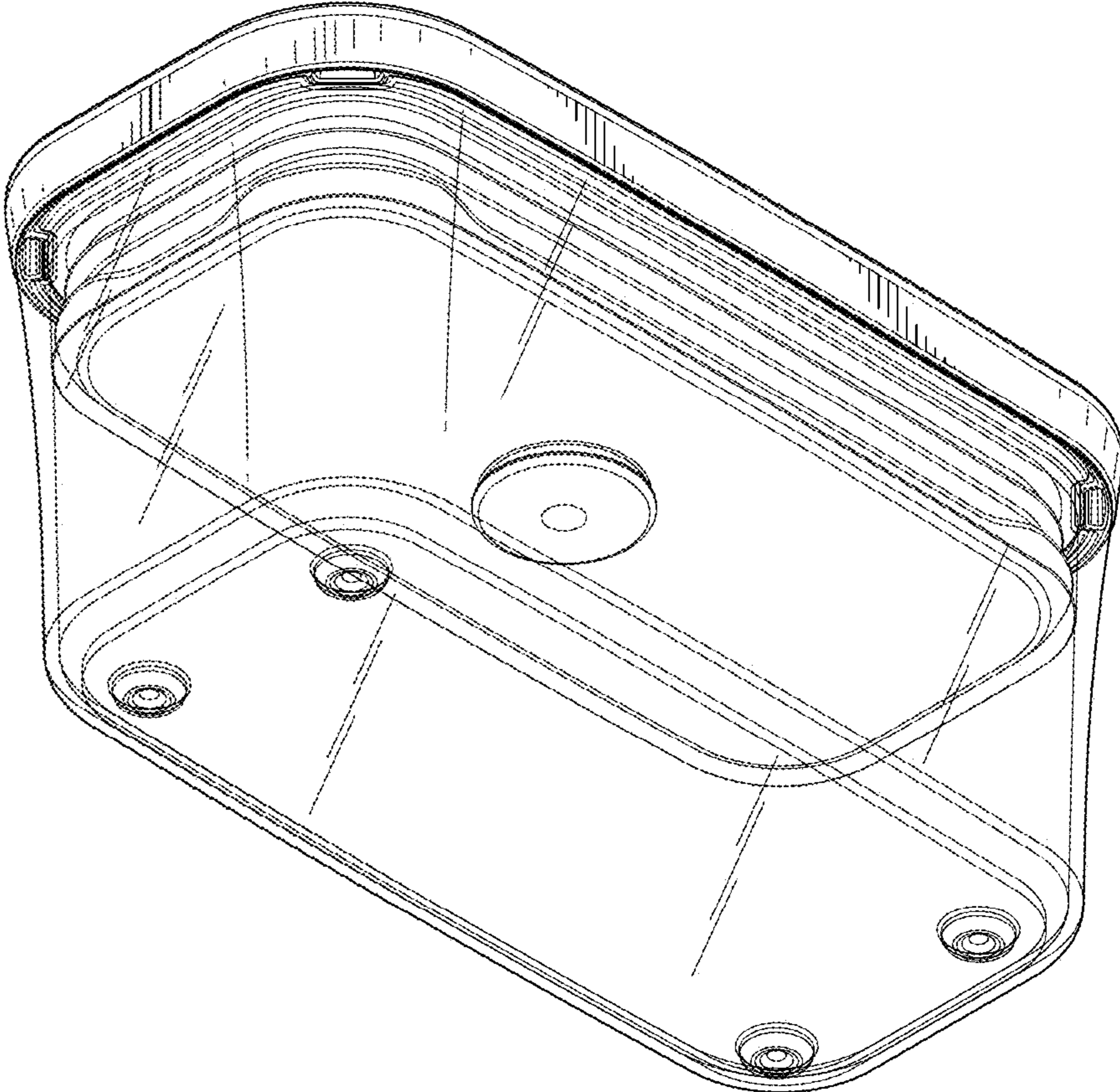


FIG.3

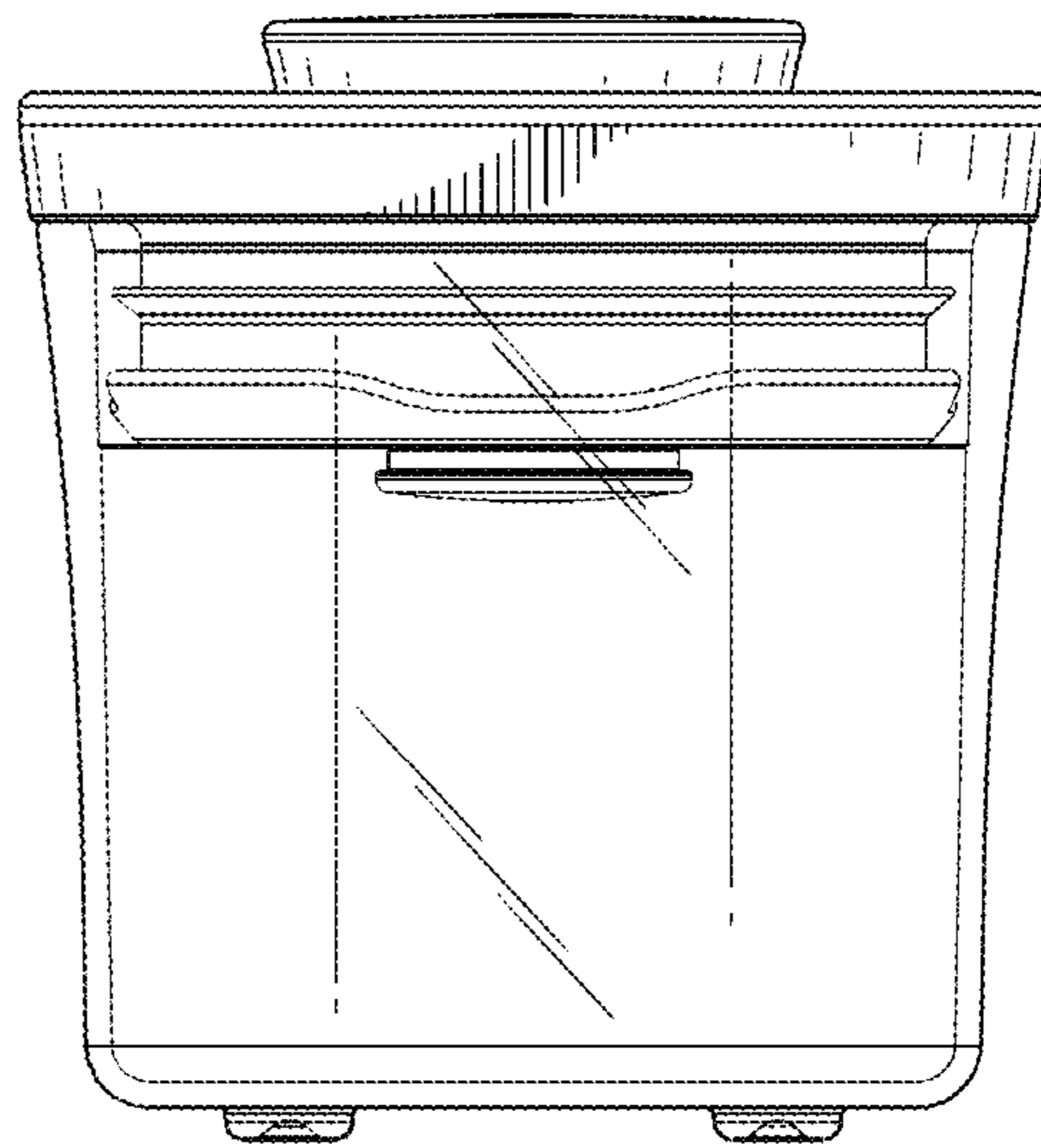


FIG. 4

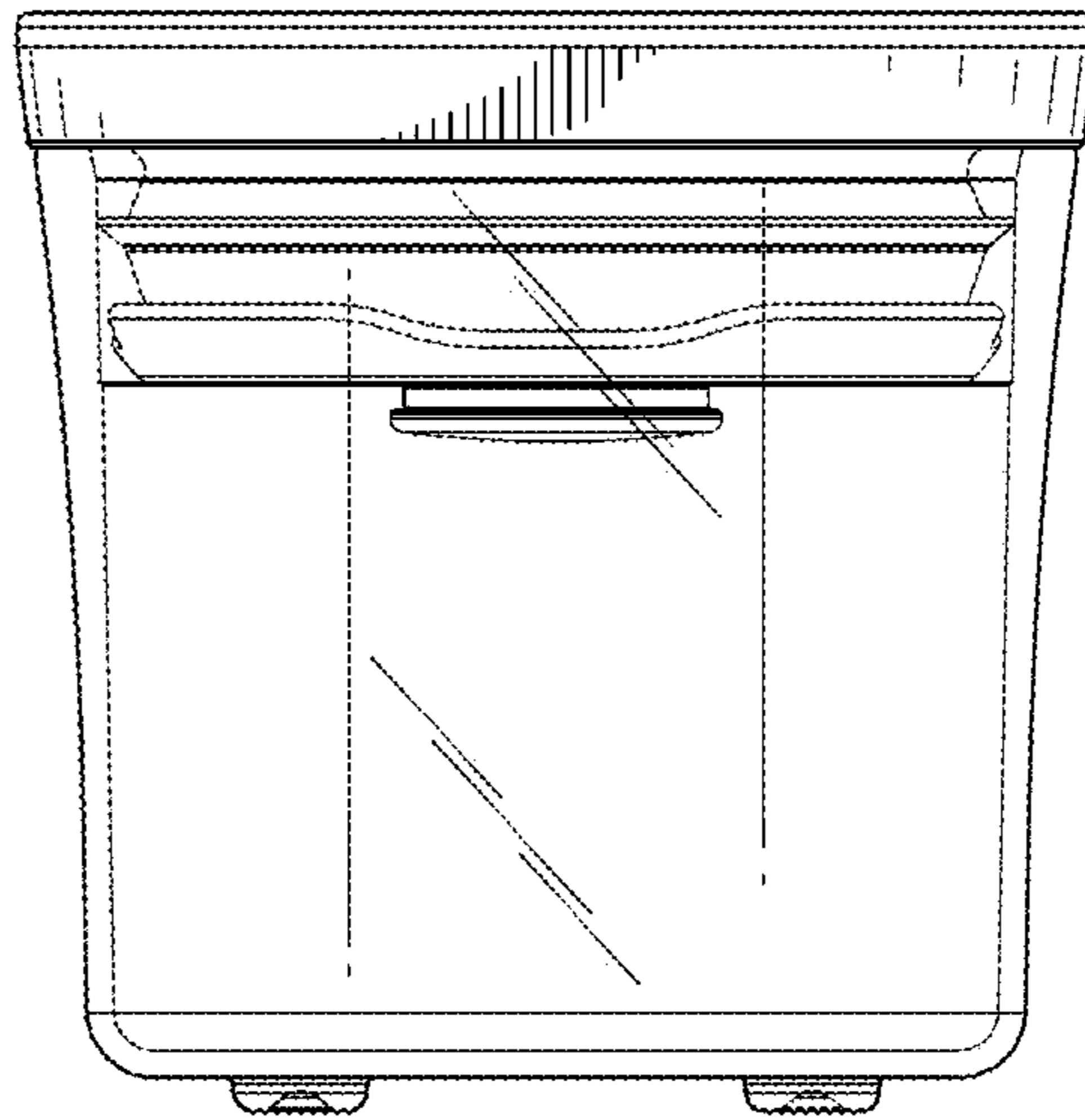


FIG.5

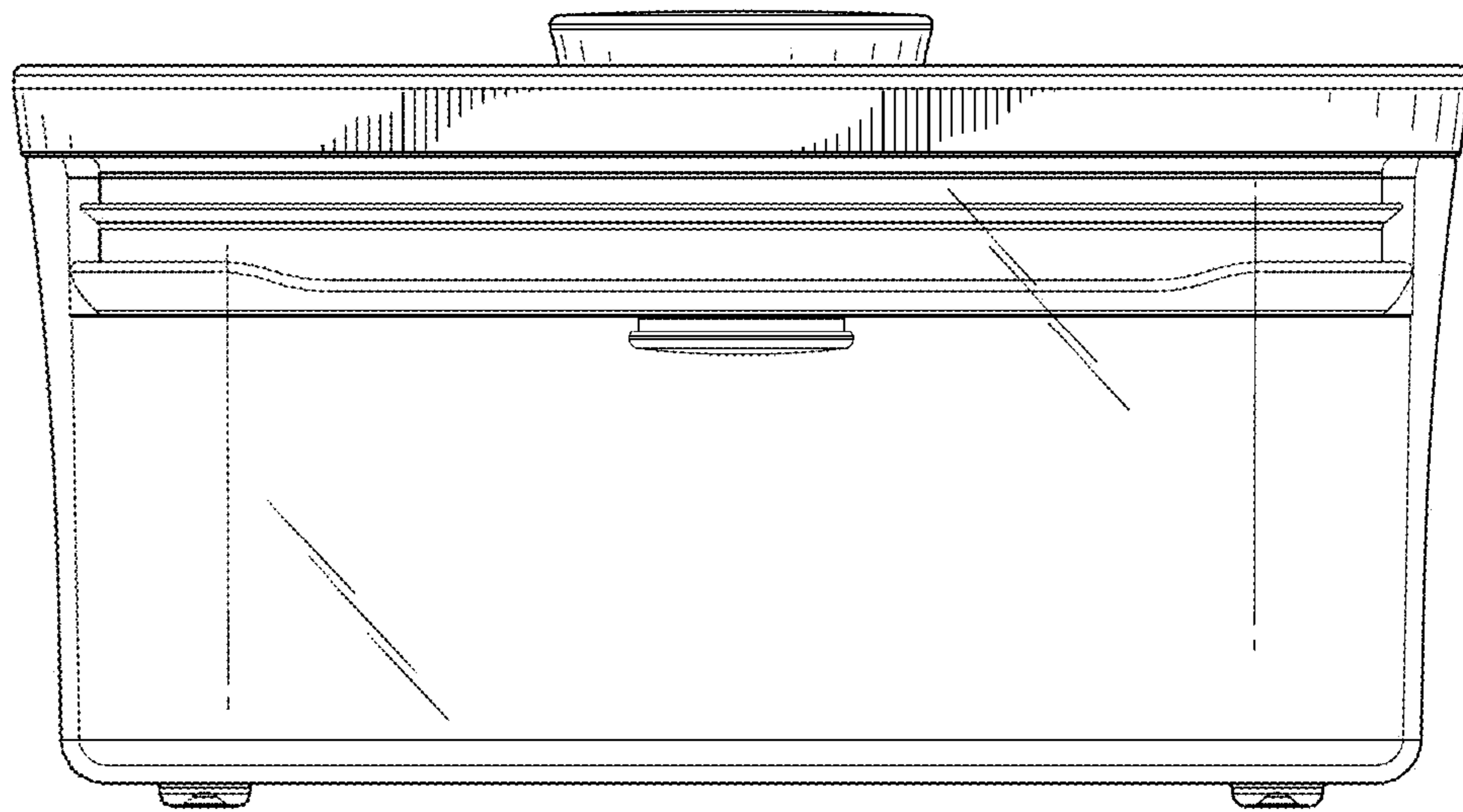


FIG.6



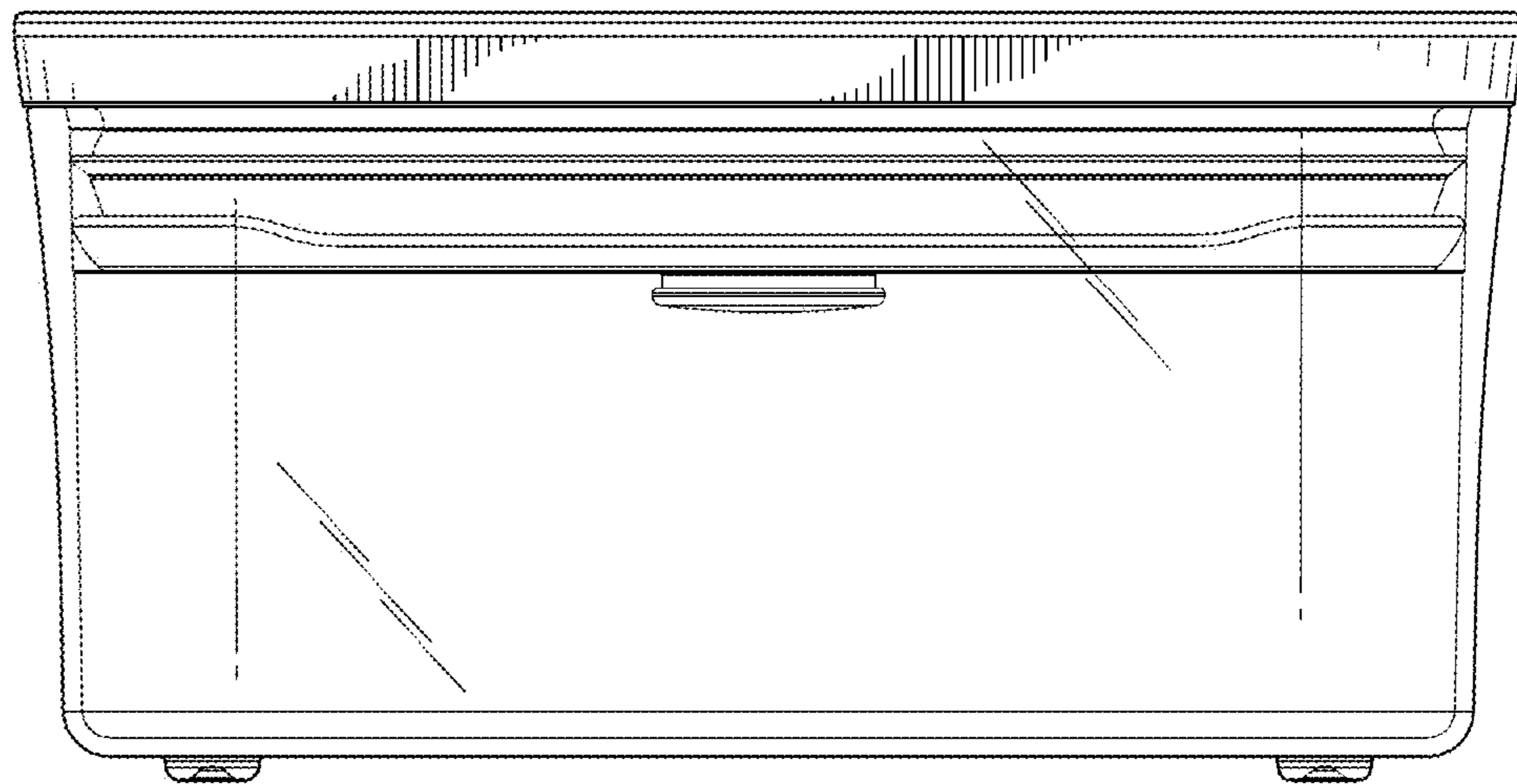


FIG. 7

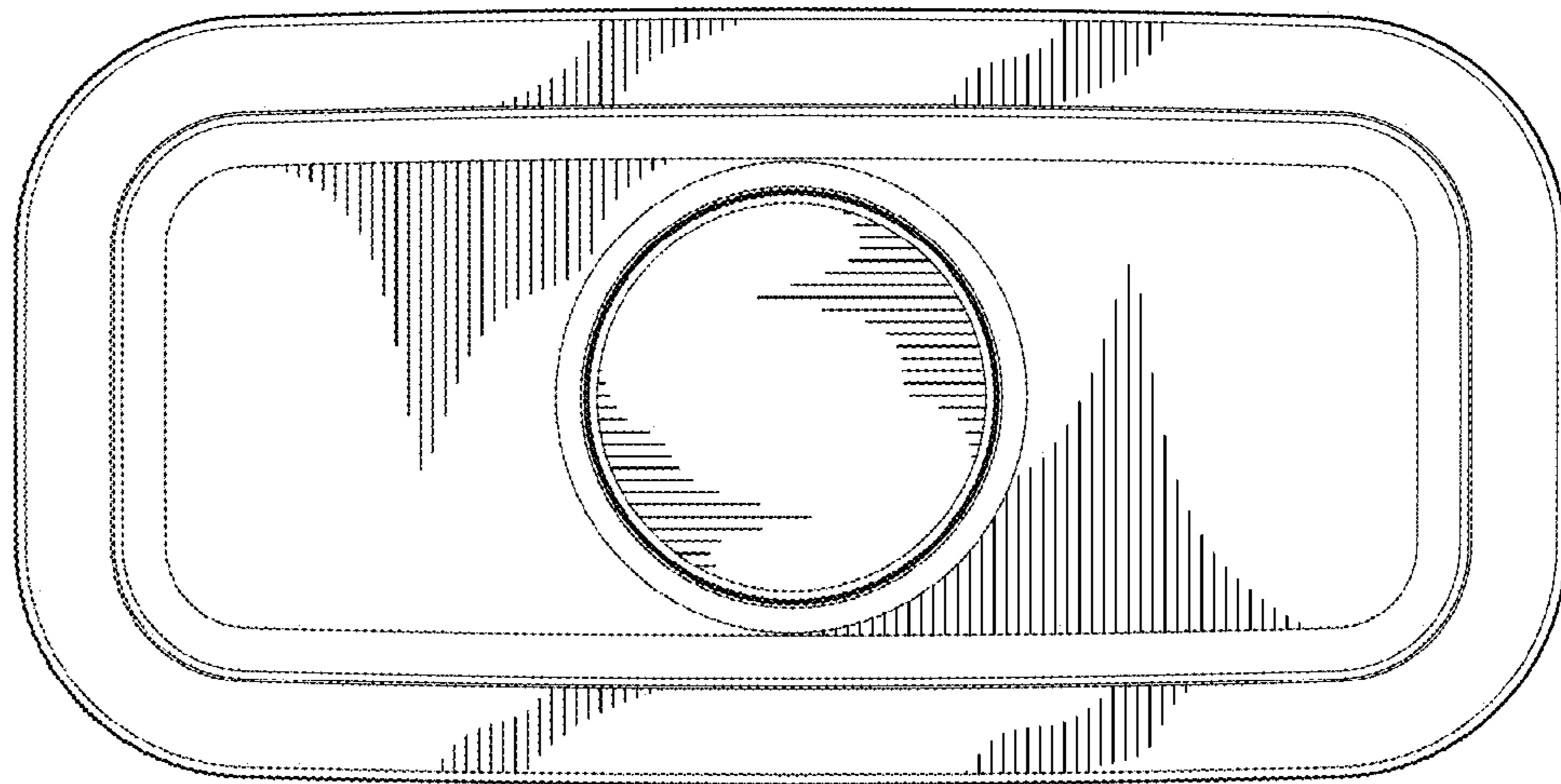


FIG. 8

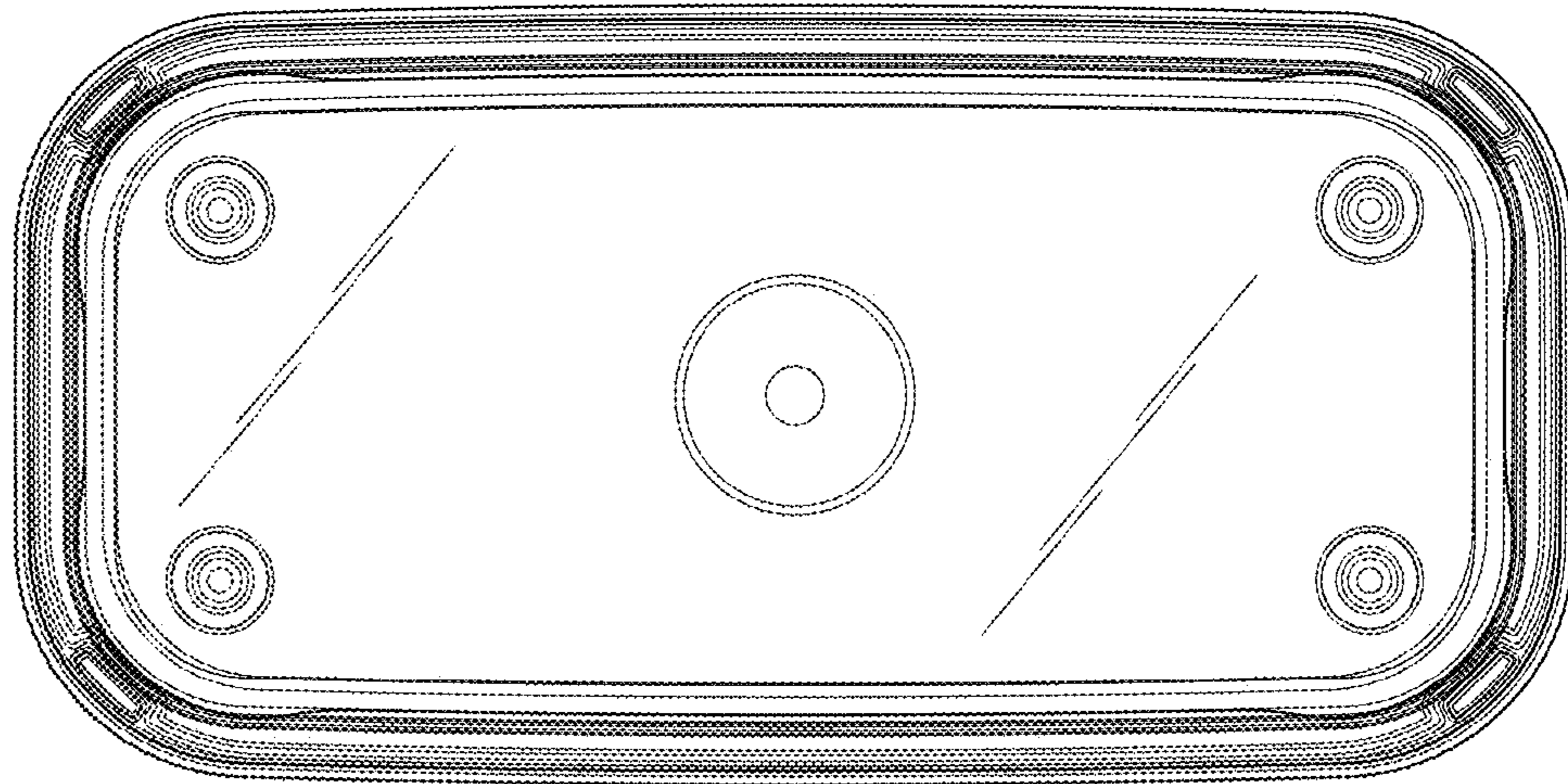


FIG. 9

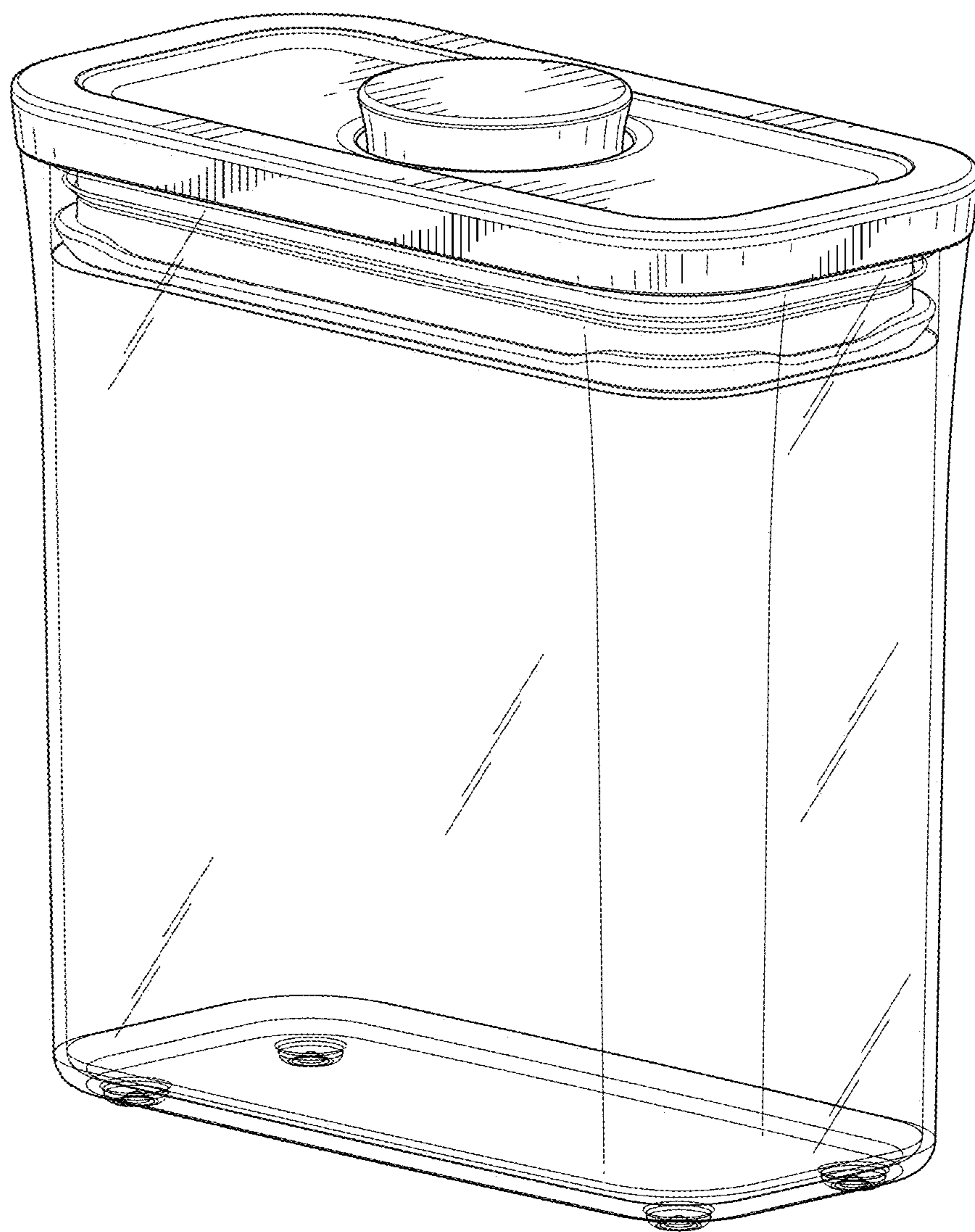


FIG. 10

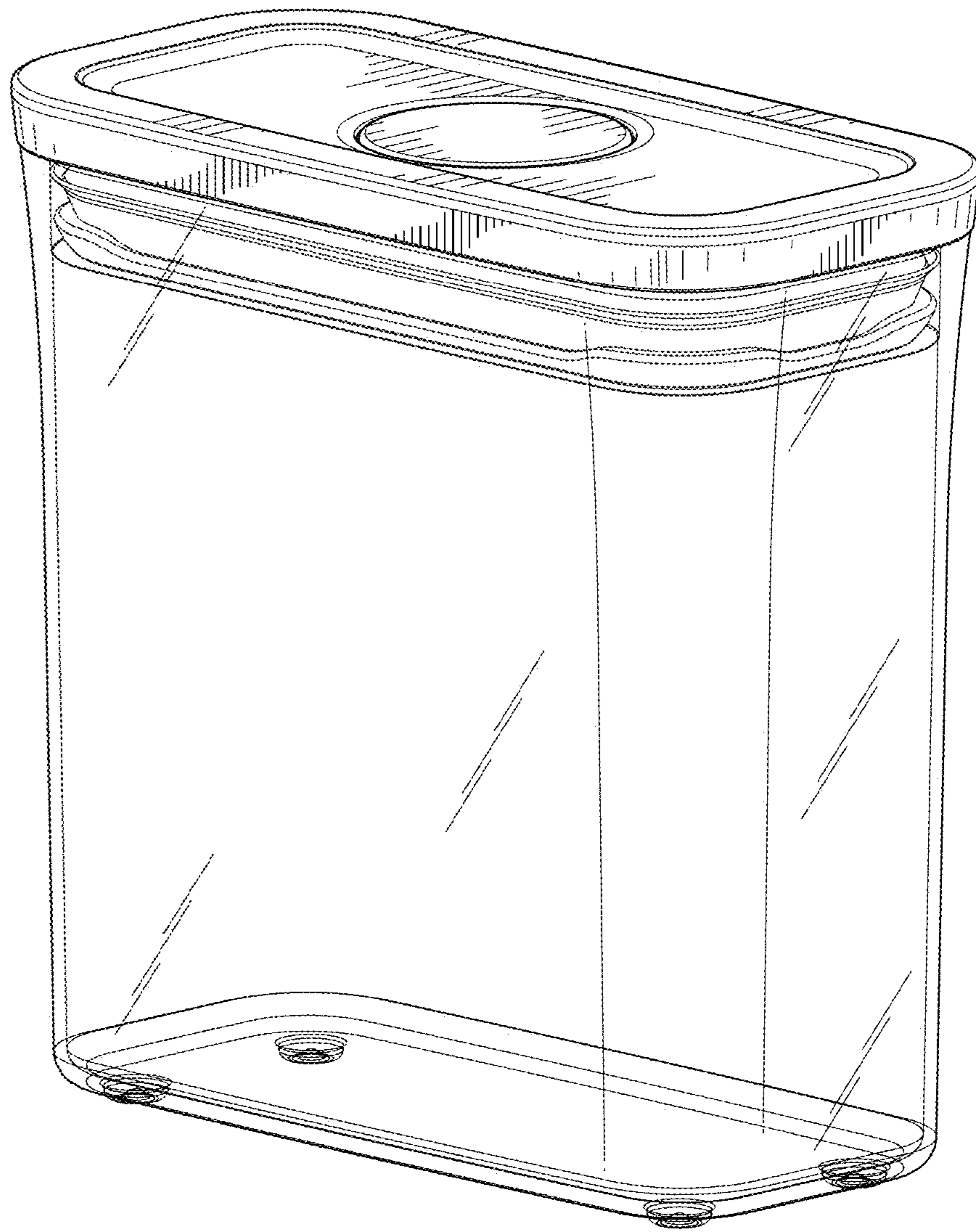


FIG. 11

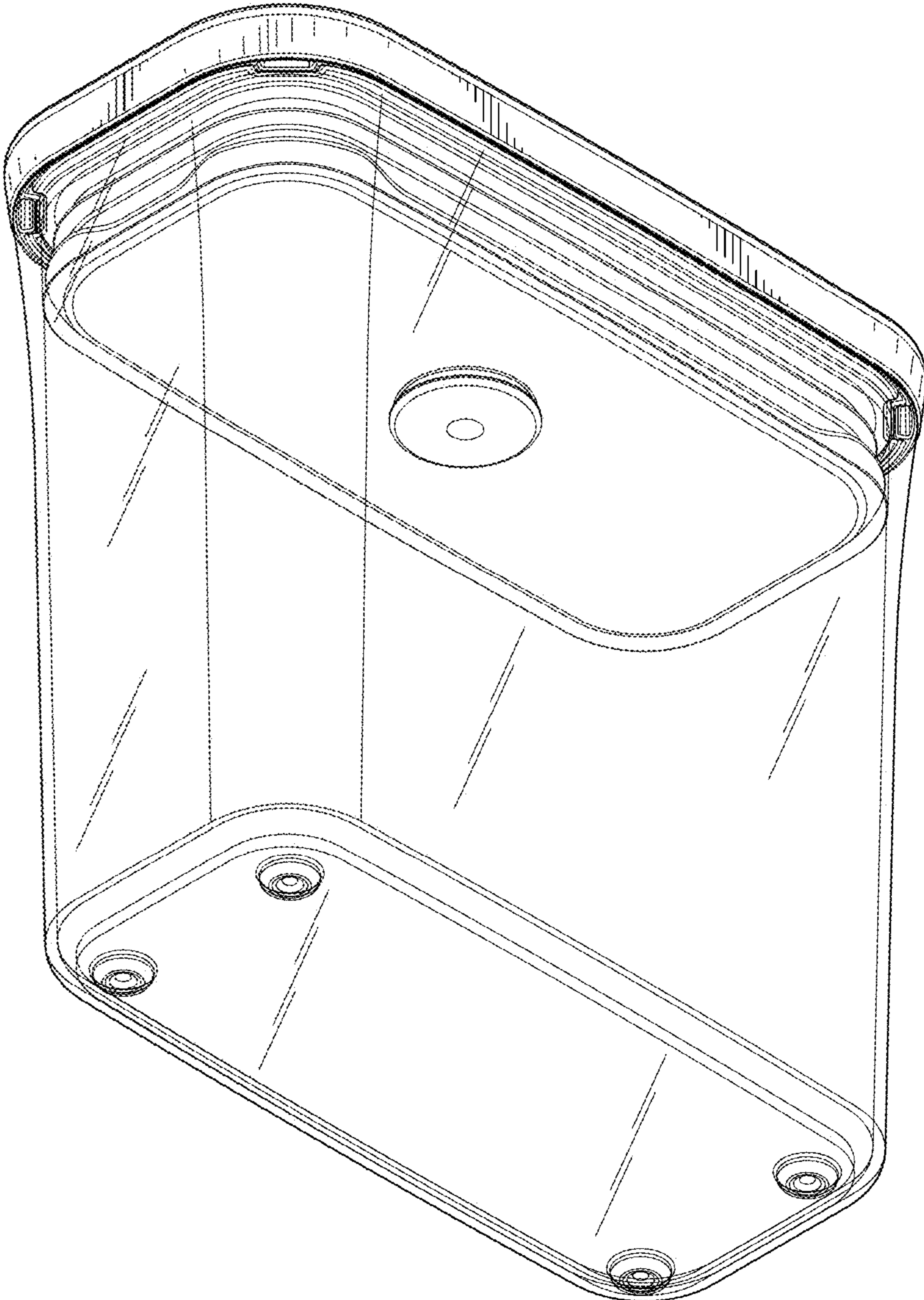


FIG.12

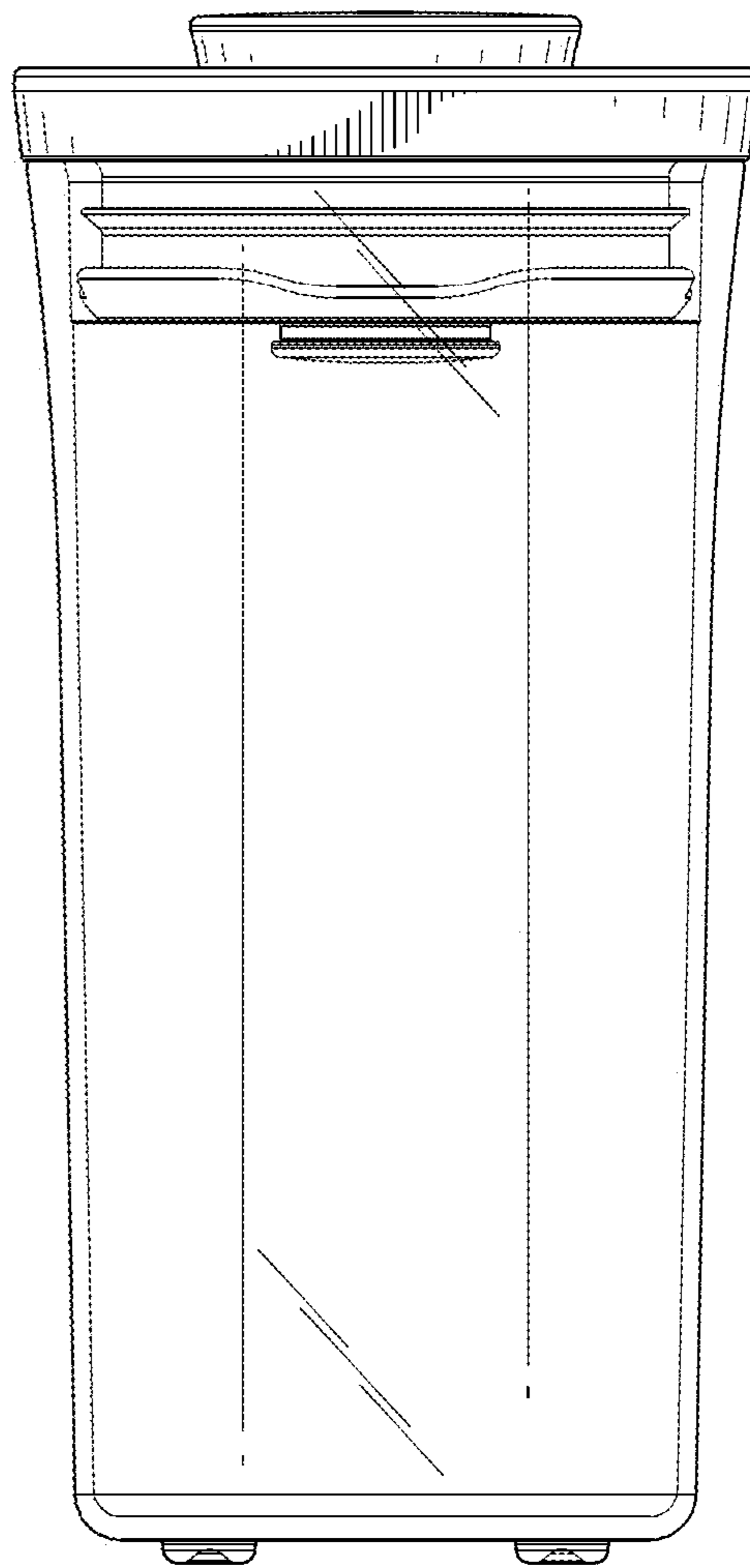


FIG. 13

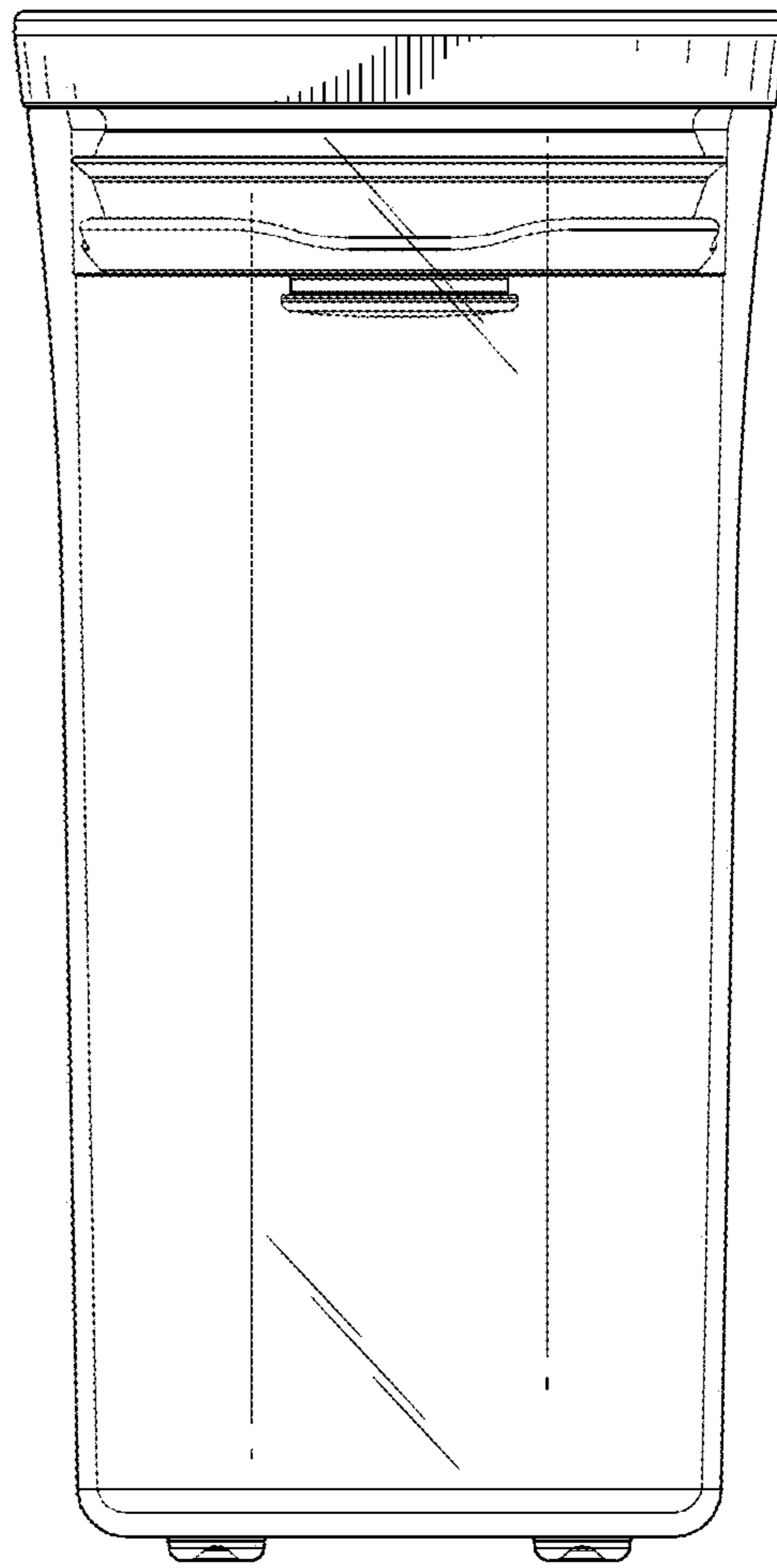


FIG. 14



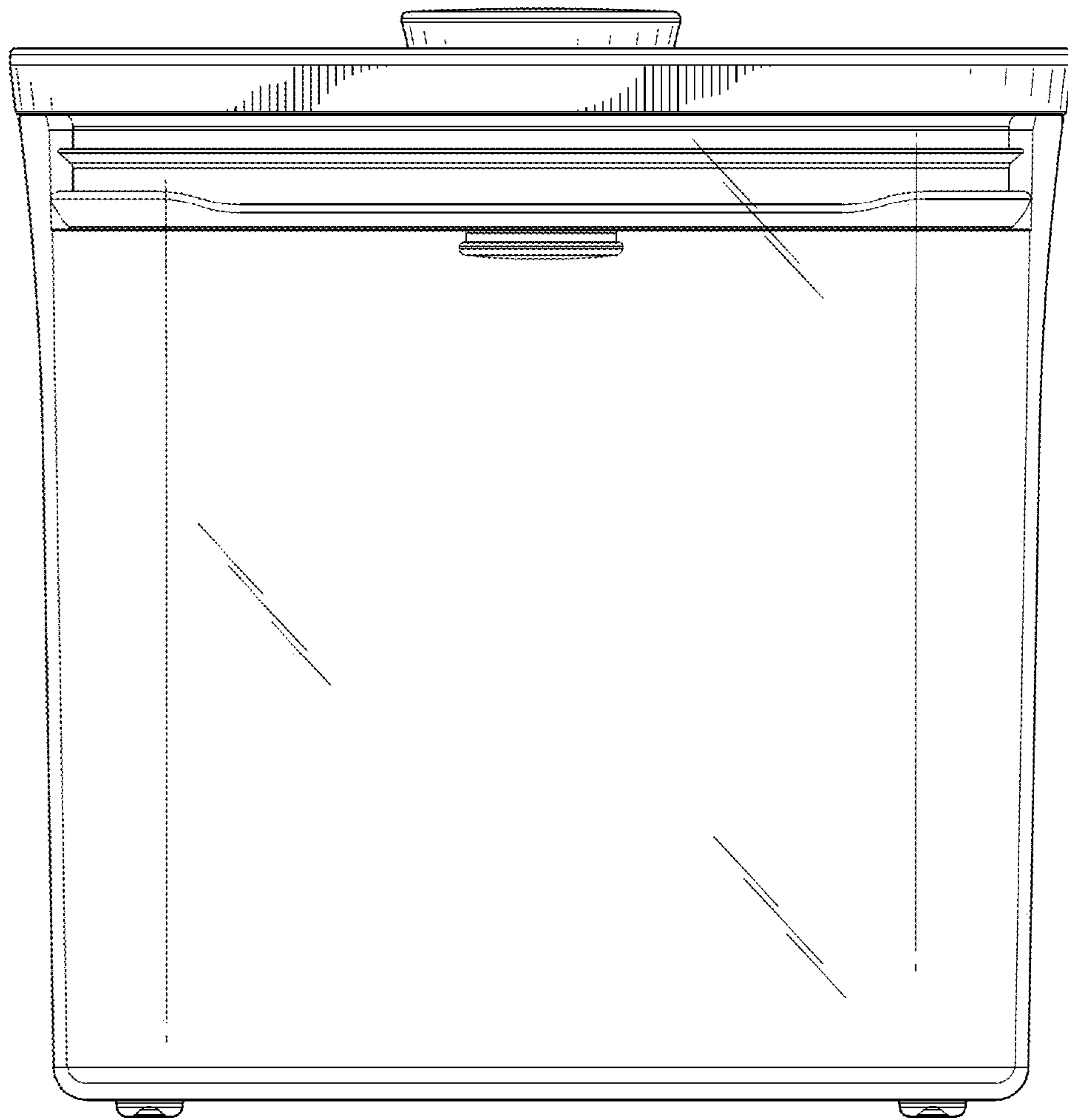


FIG.15

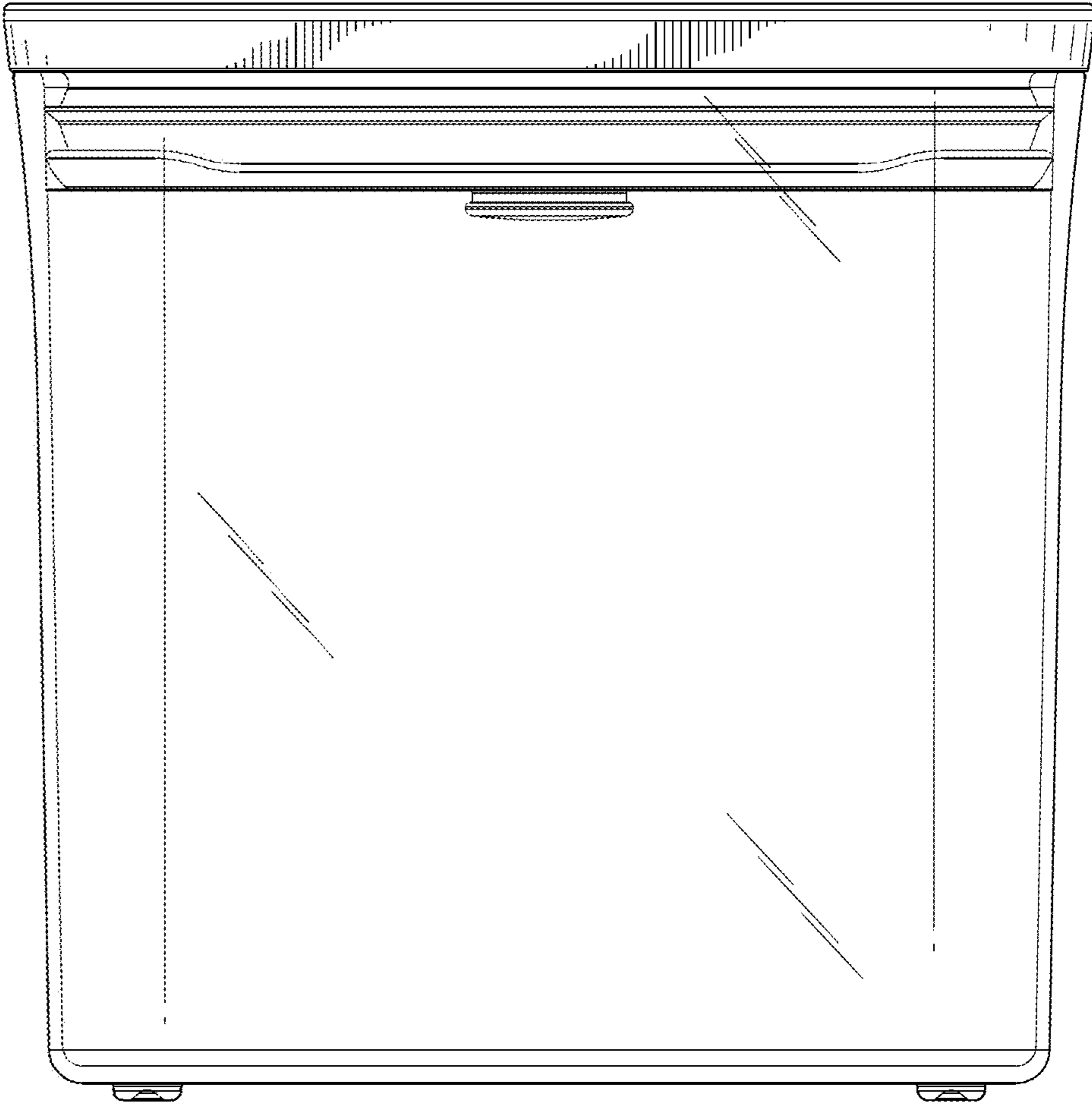


FIG. 16

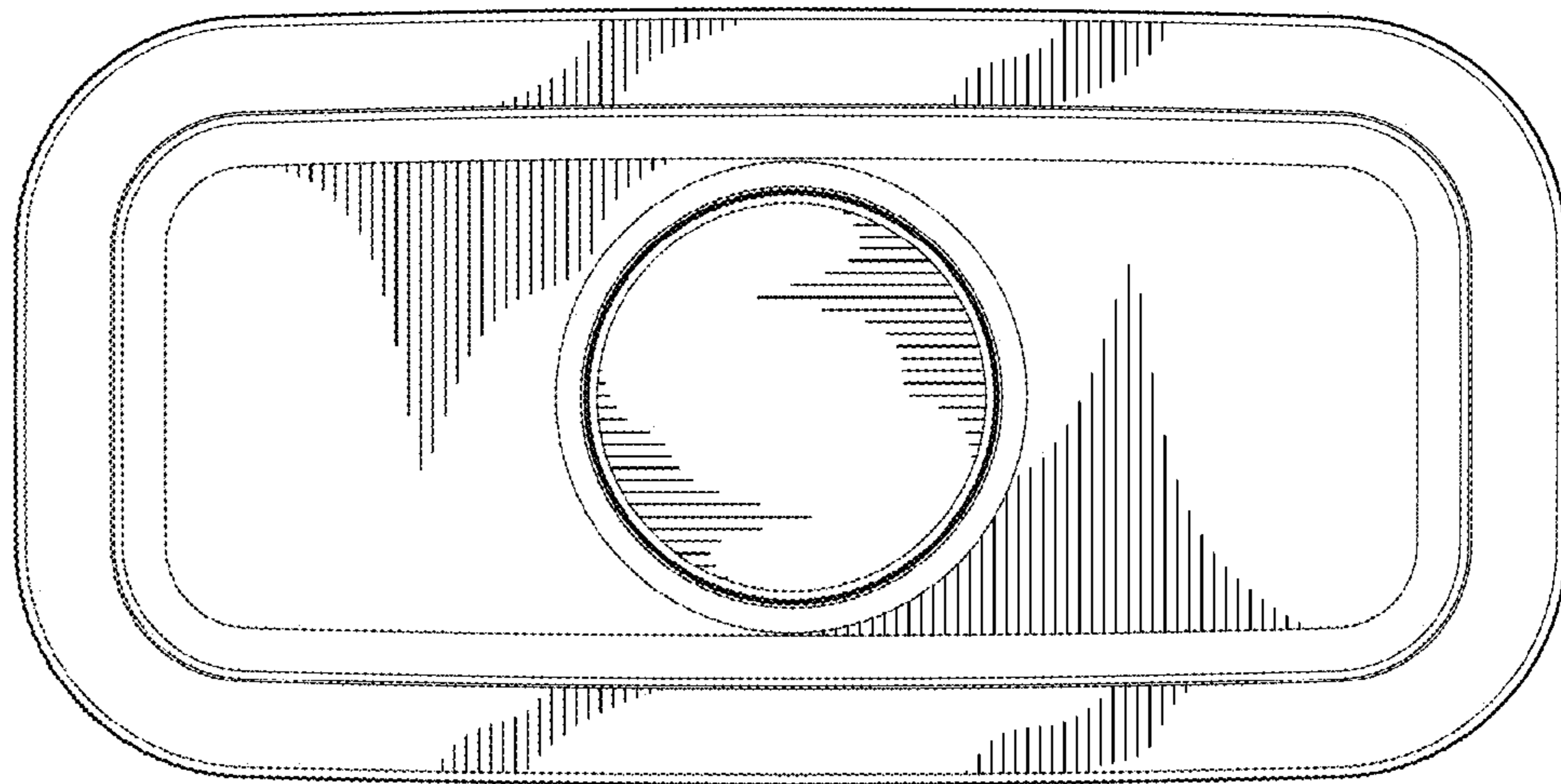


FIG. 17

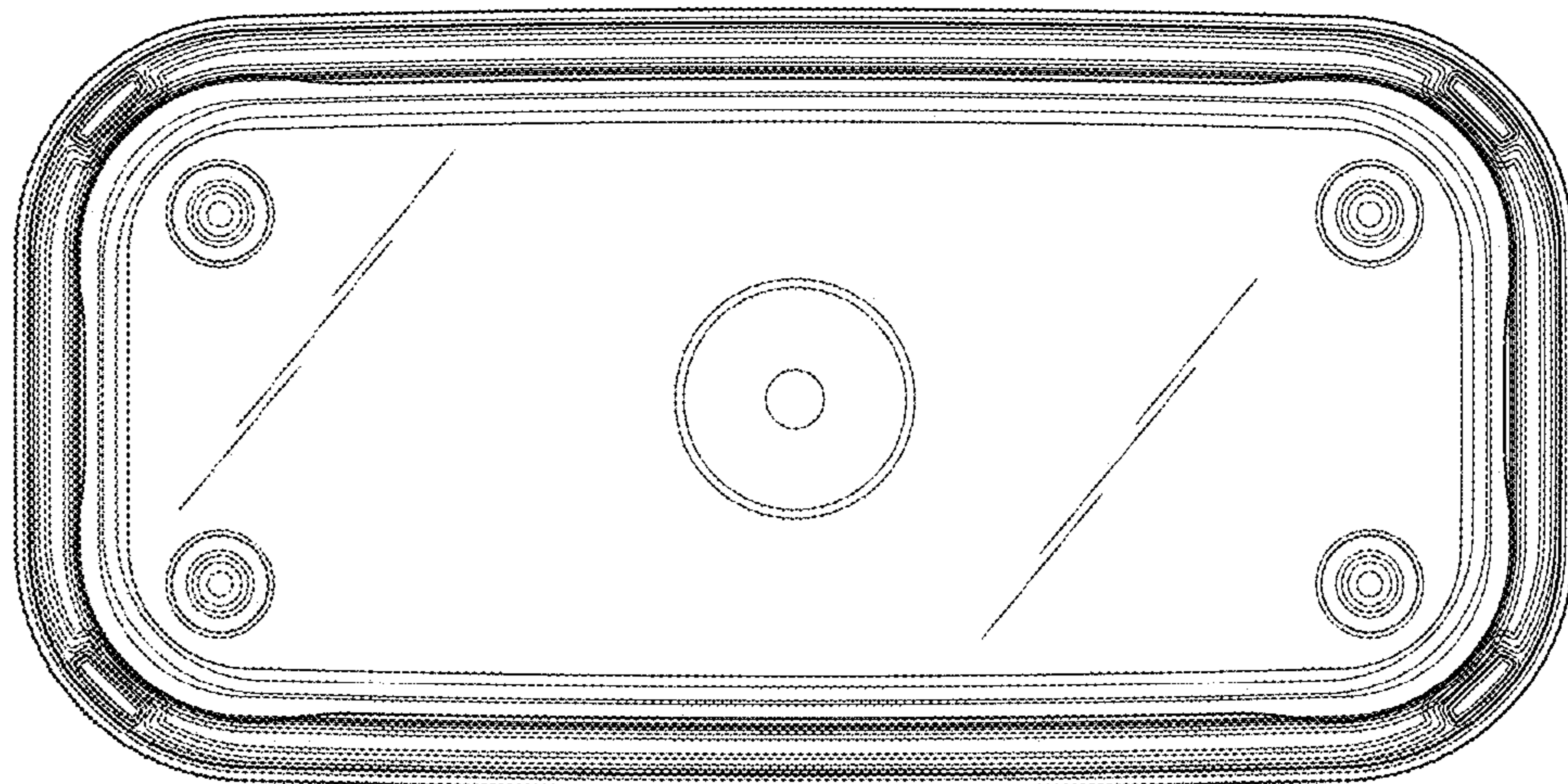


FIG. 18

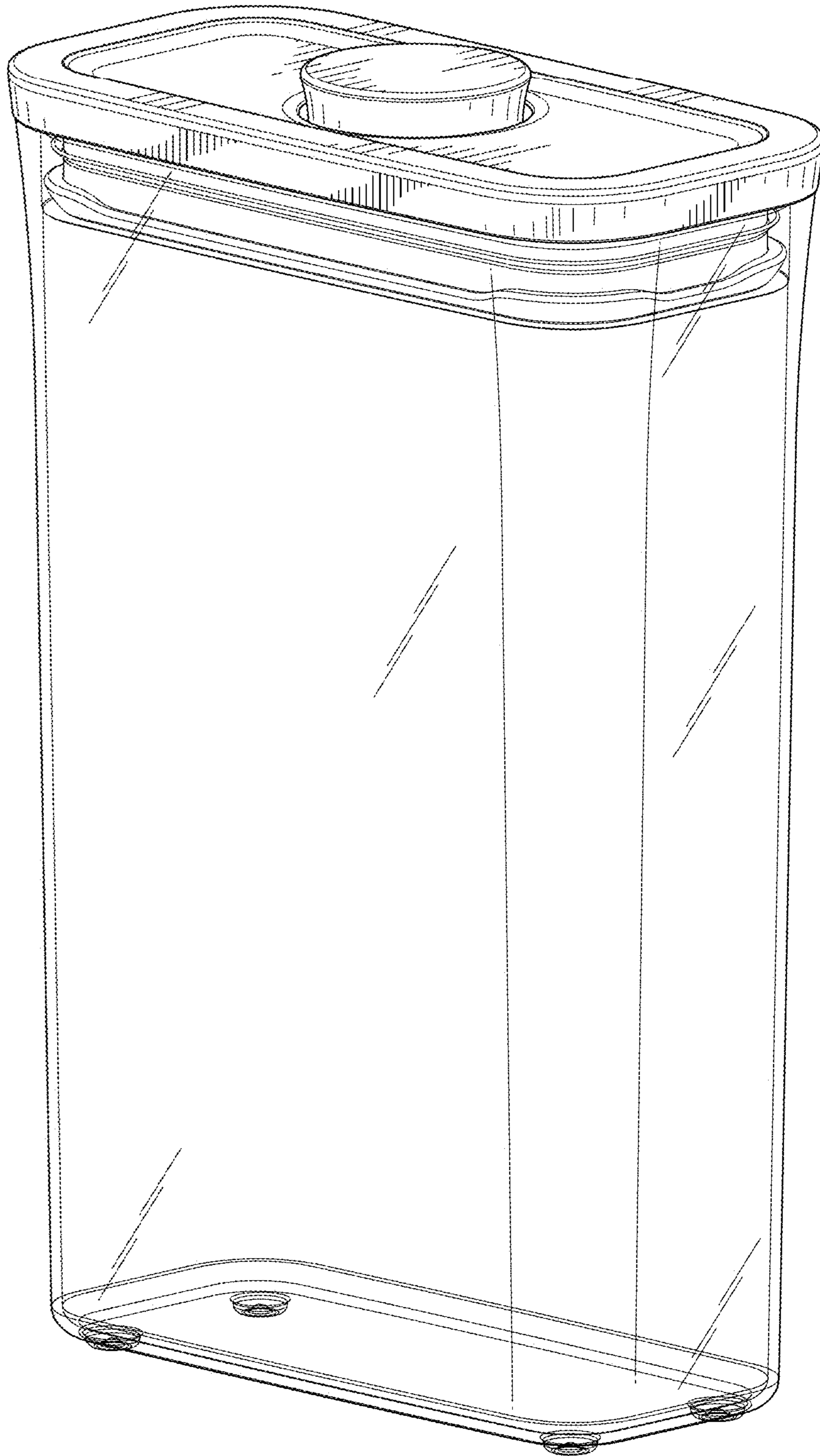


FIG. 19

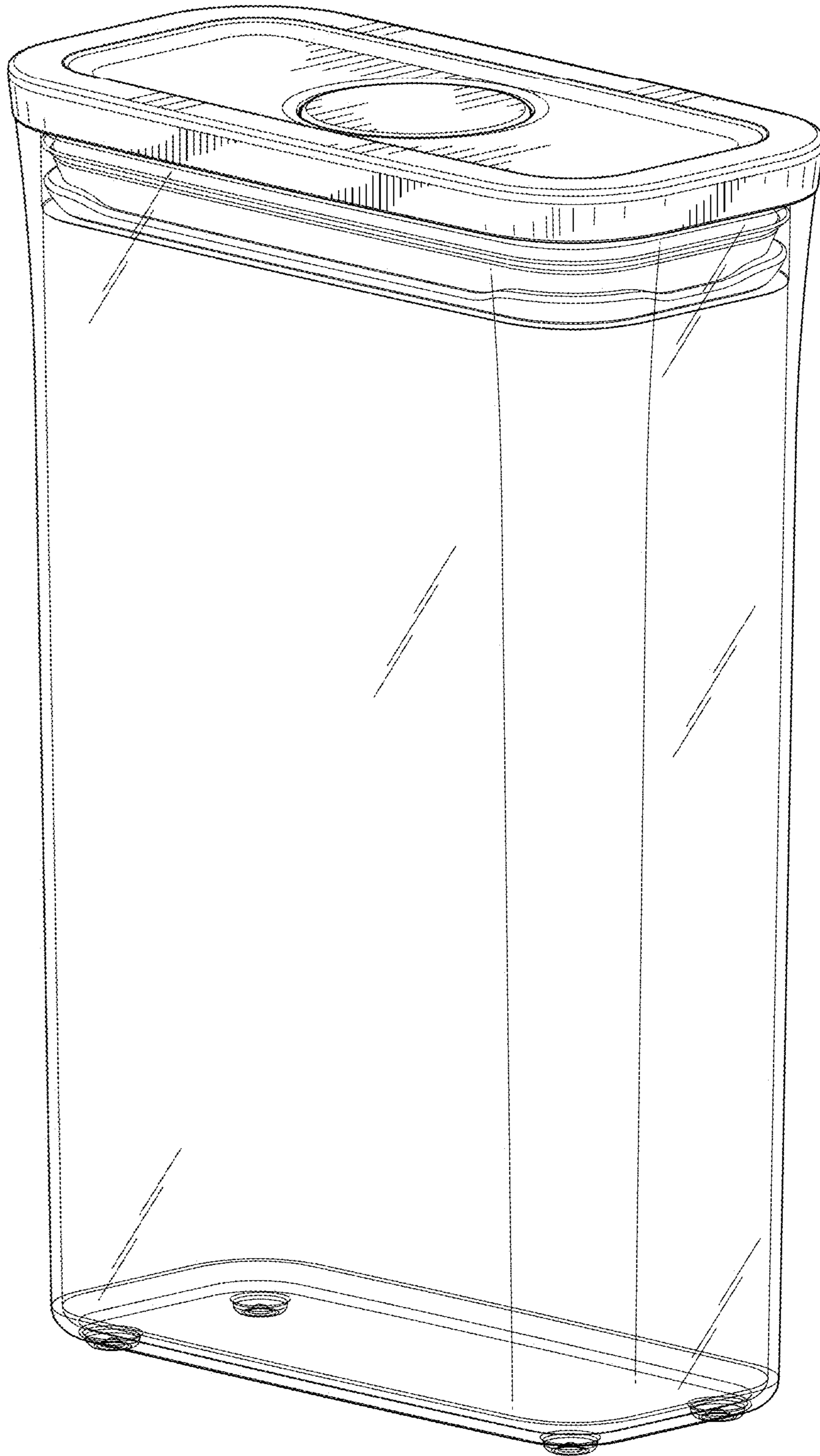


FIG. 20

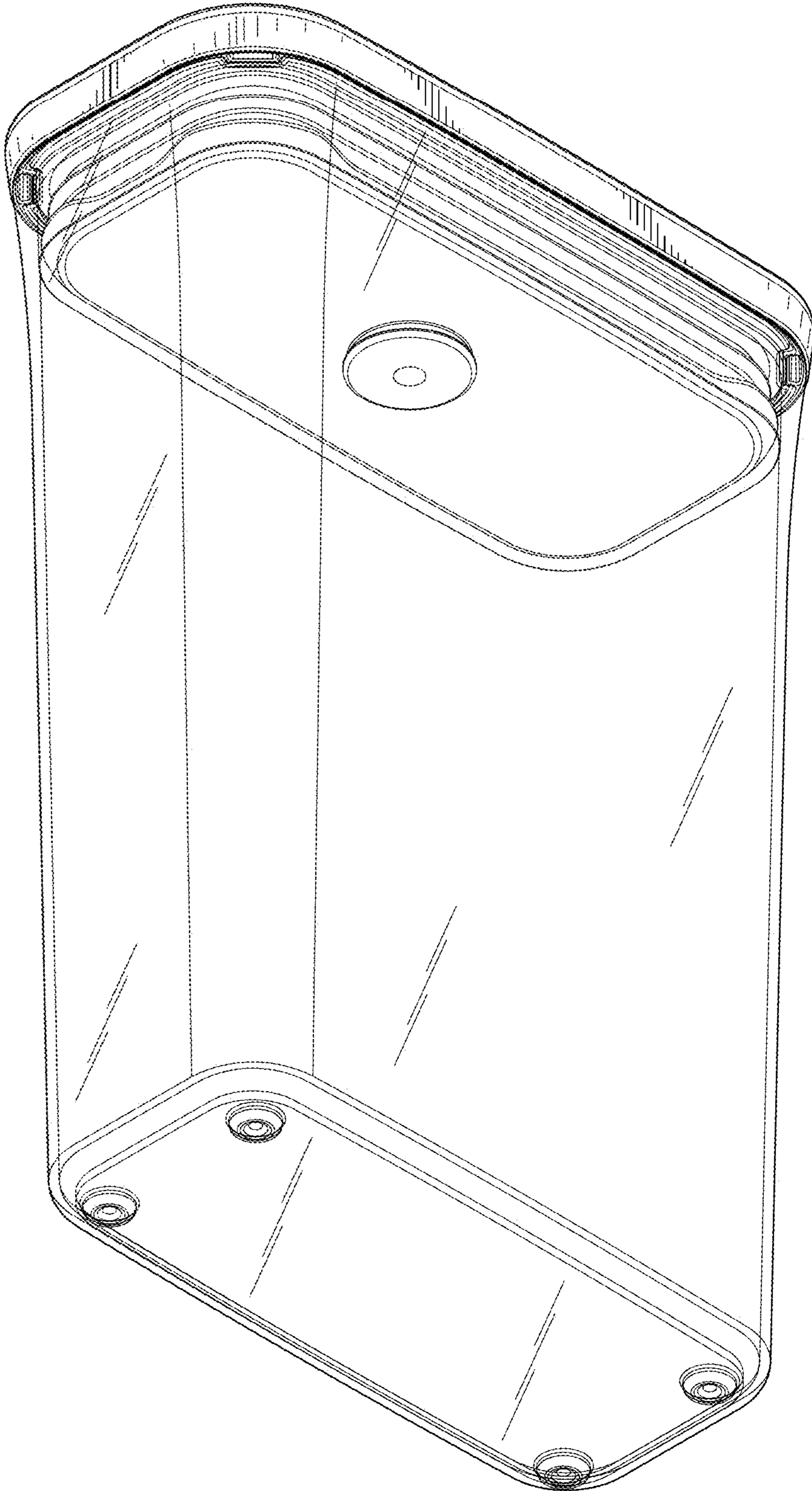


FIG.21

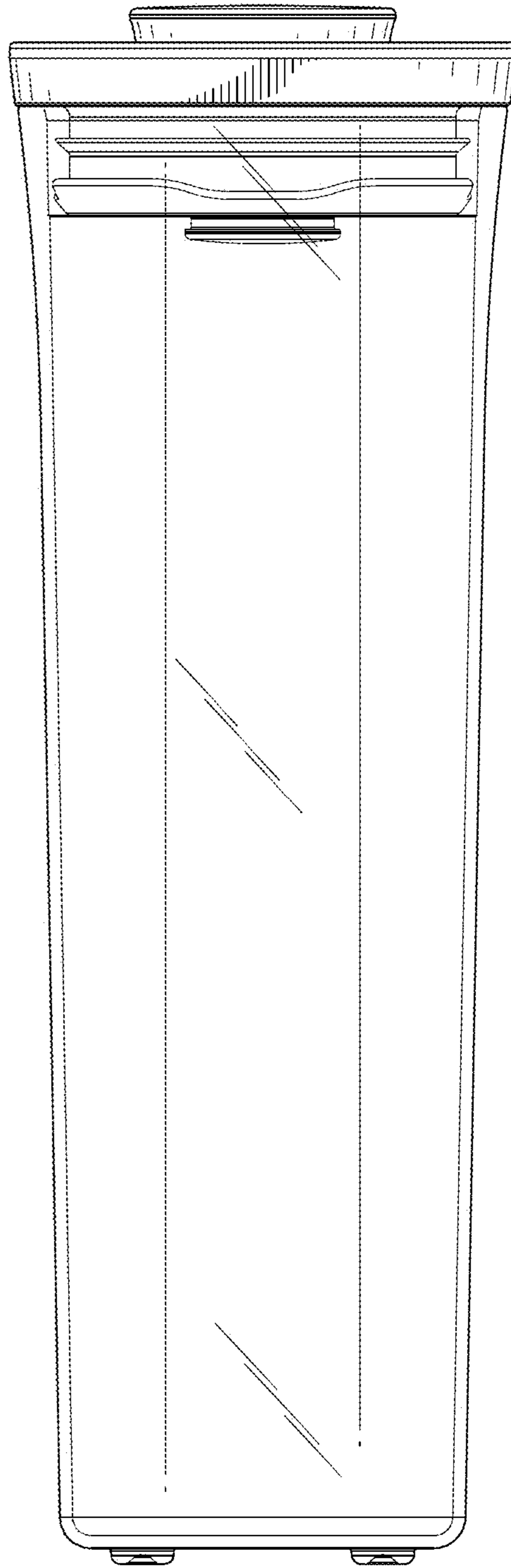


FIG. 22



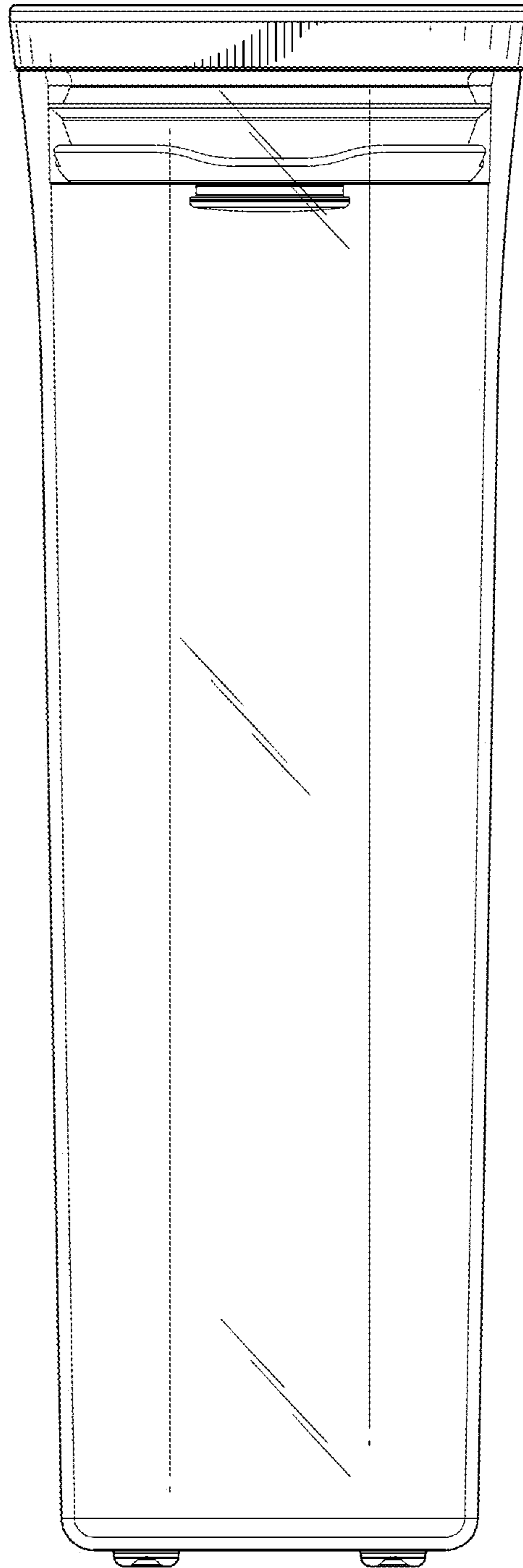


FIG.23

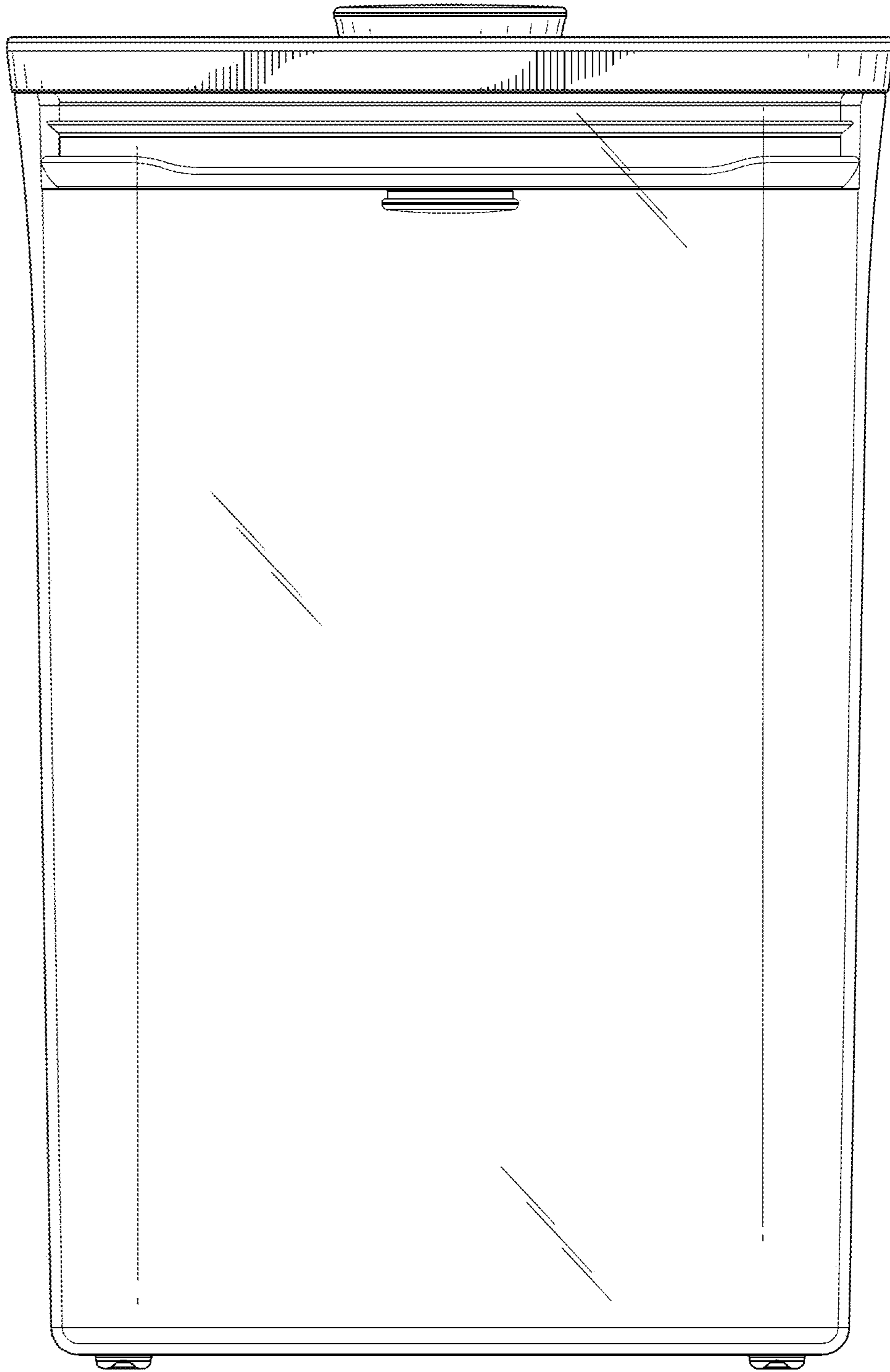


FIG.24

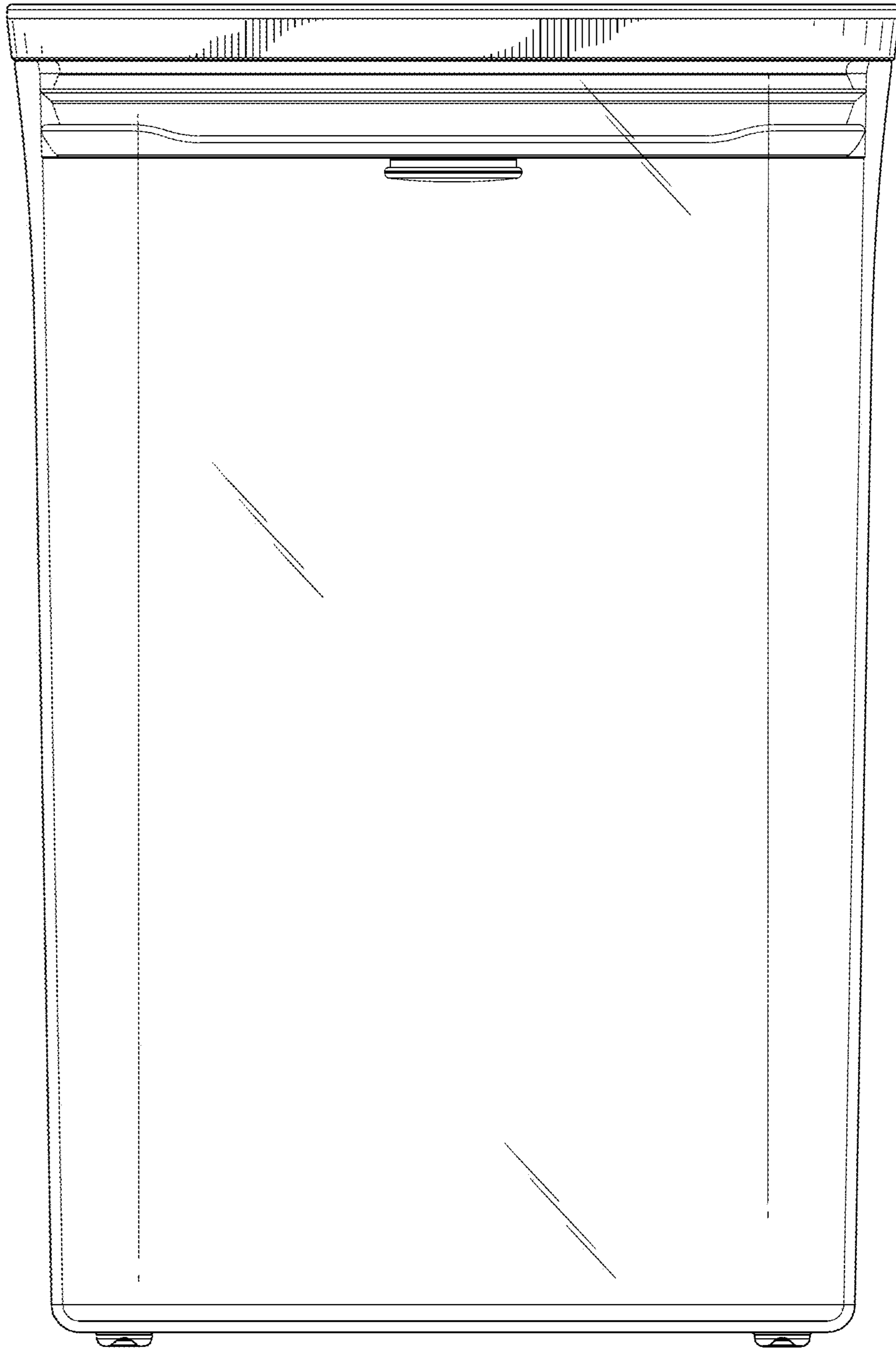


FIG. 25

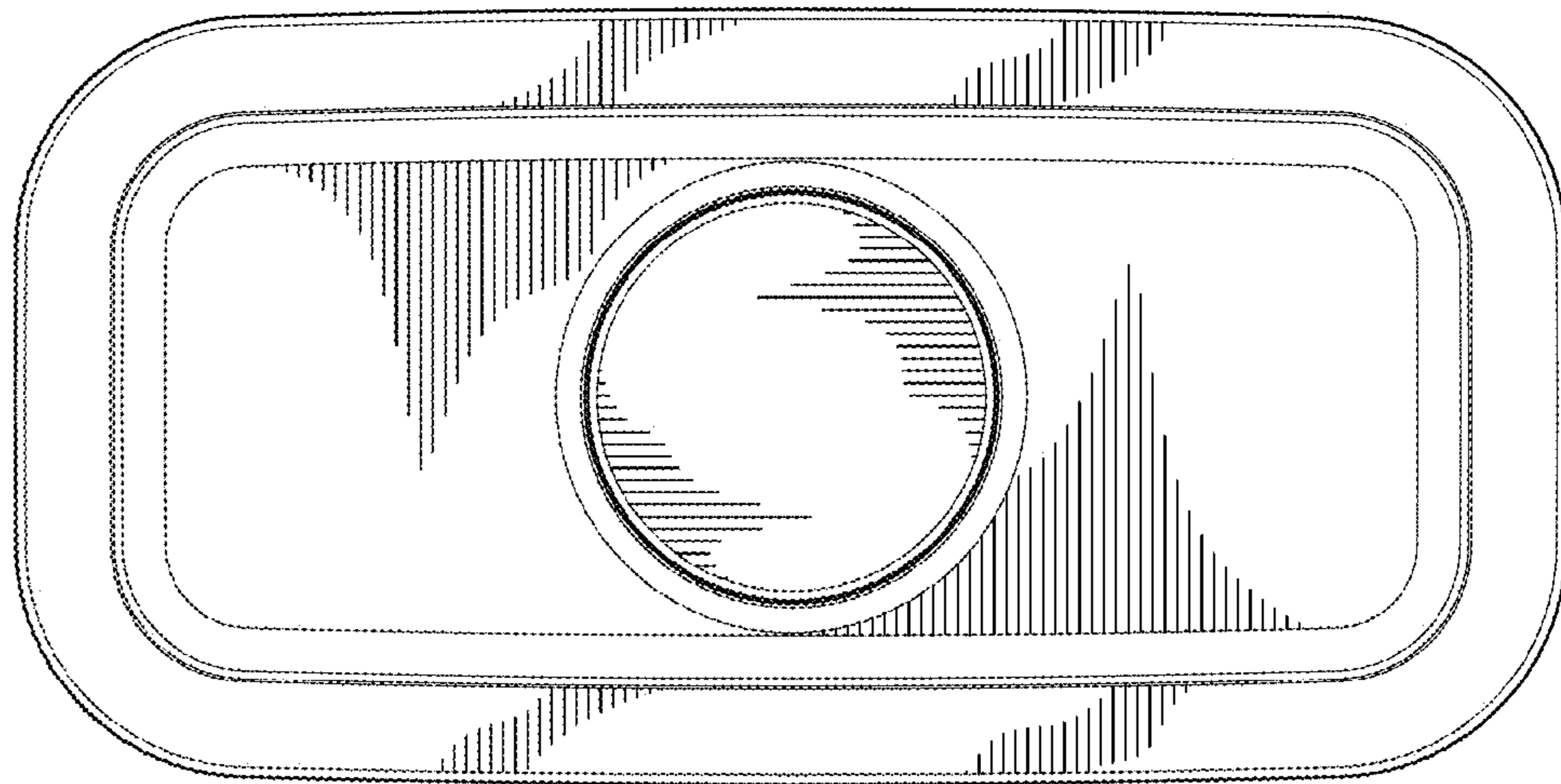


FIG. 26

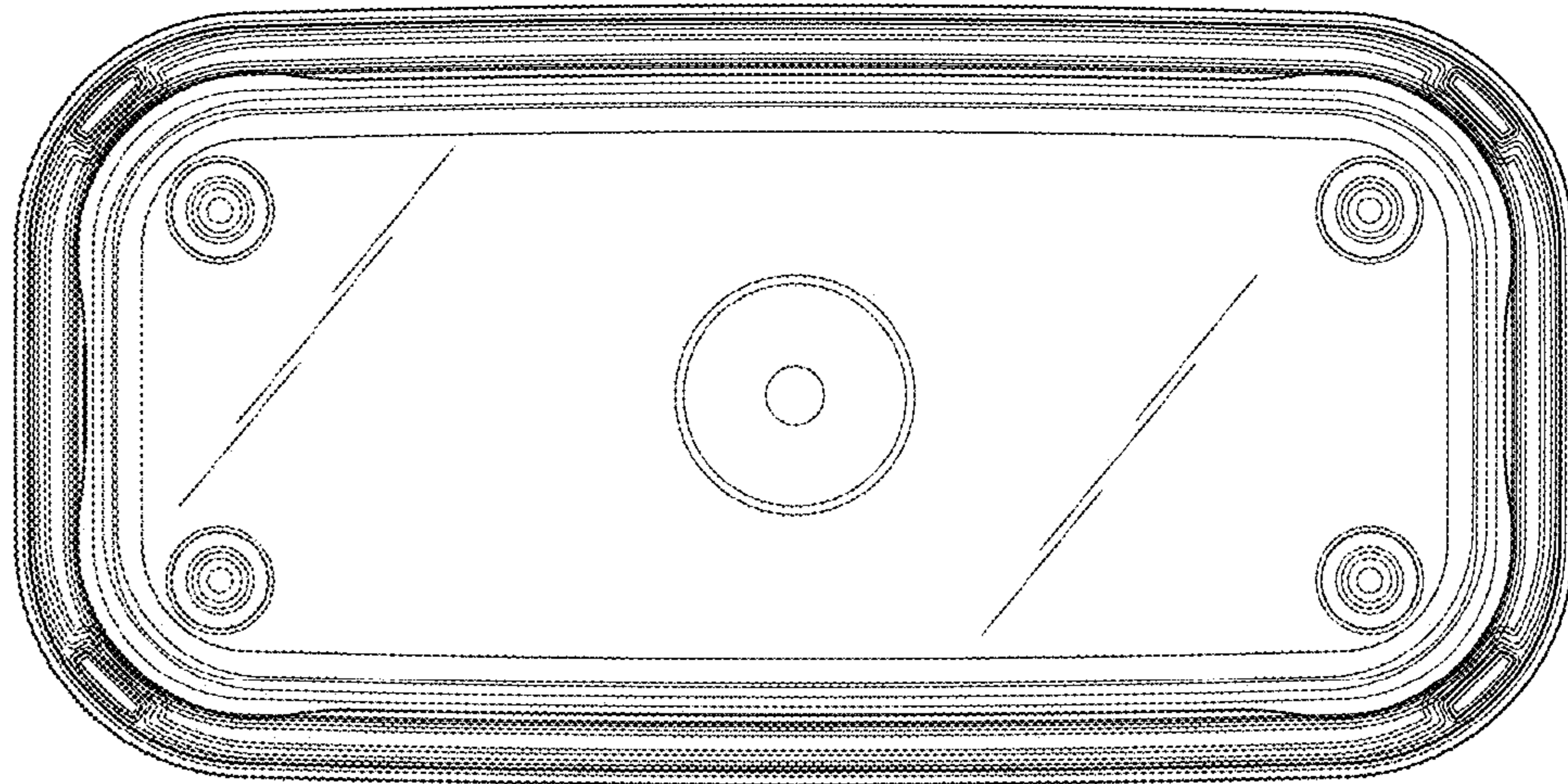


FIG.27

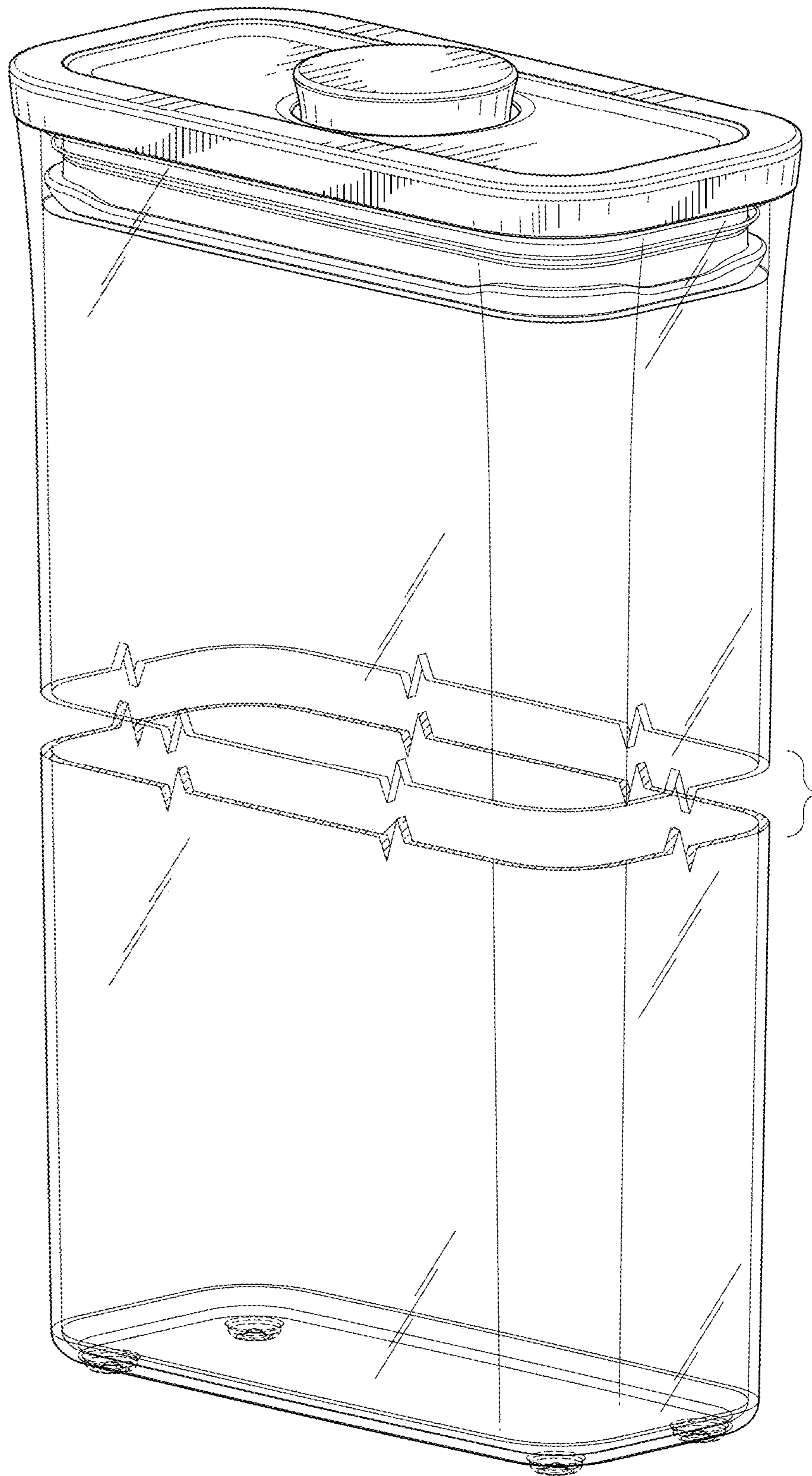


FIG.28

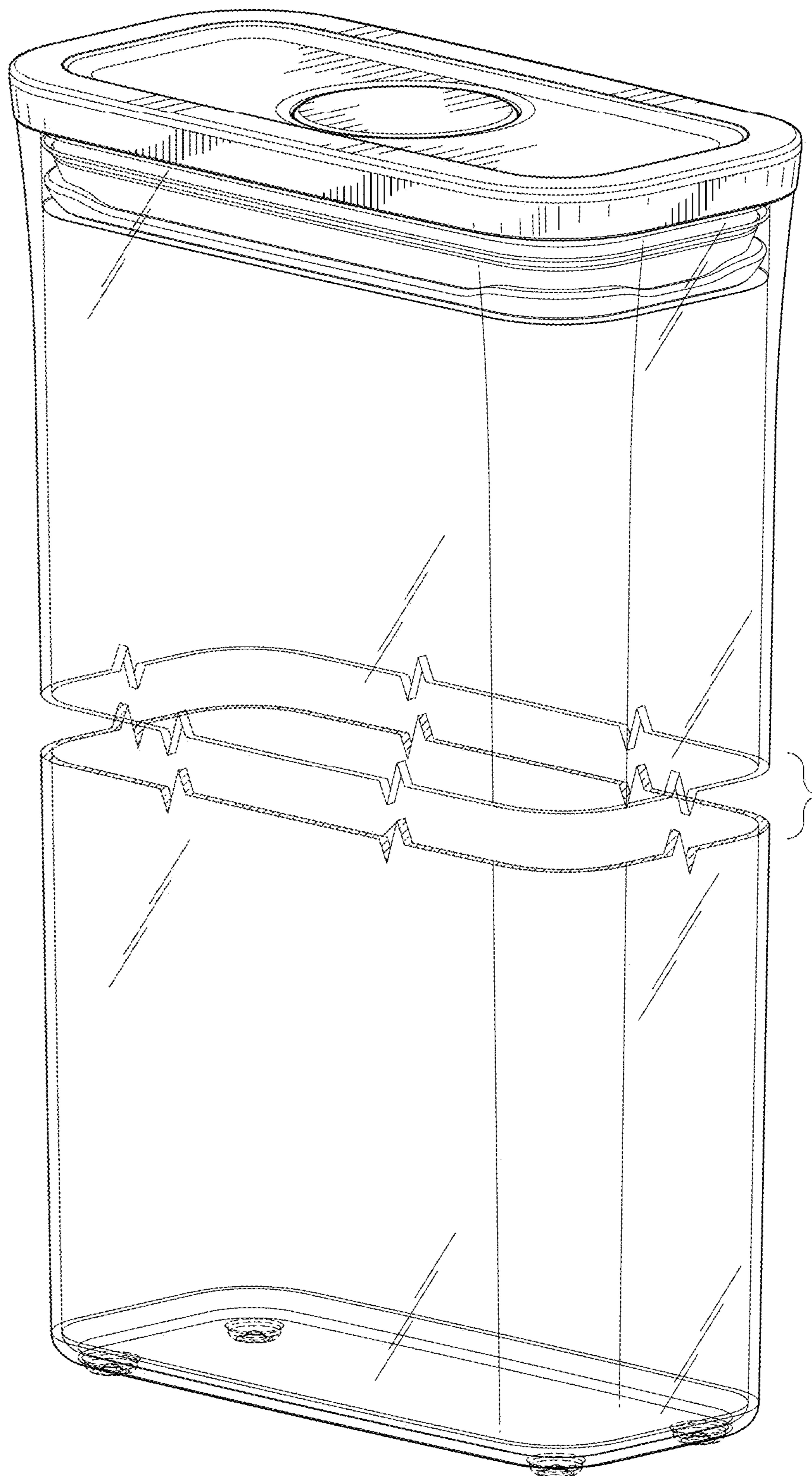


FIG.29

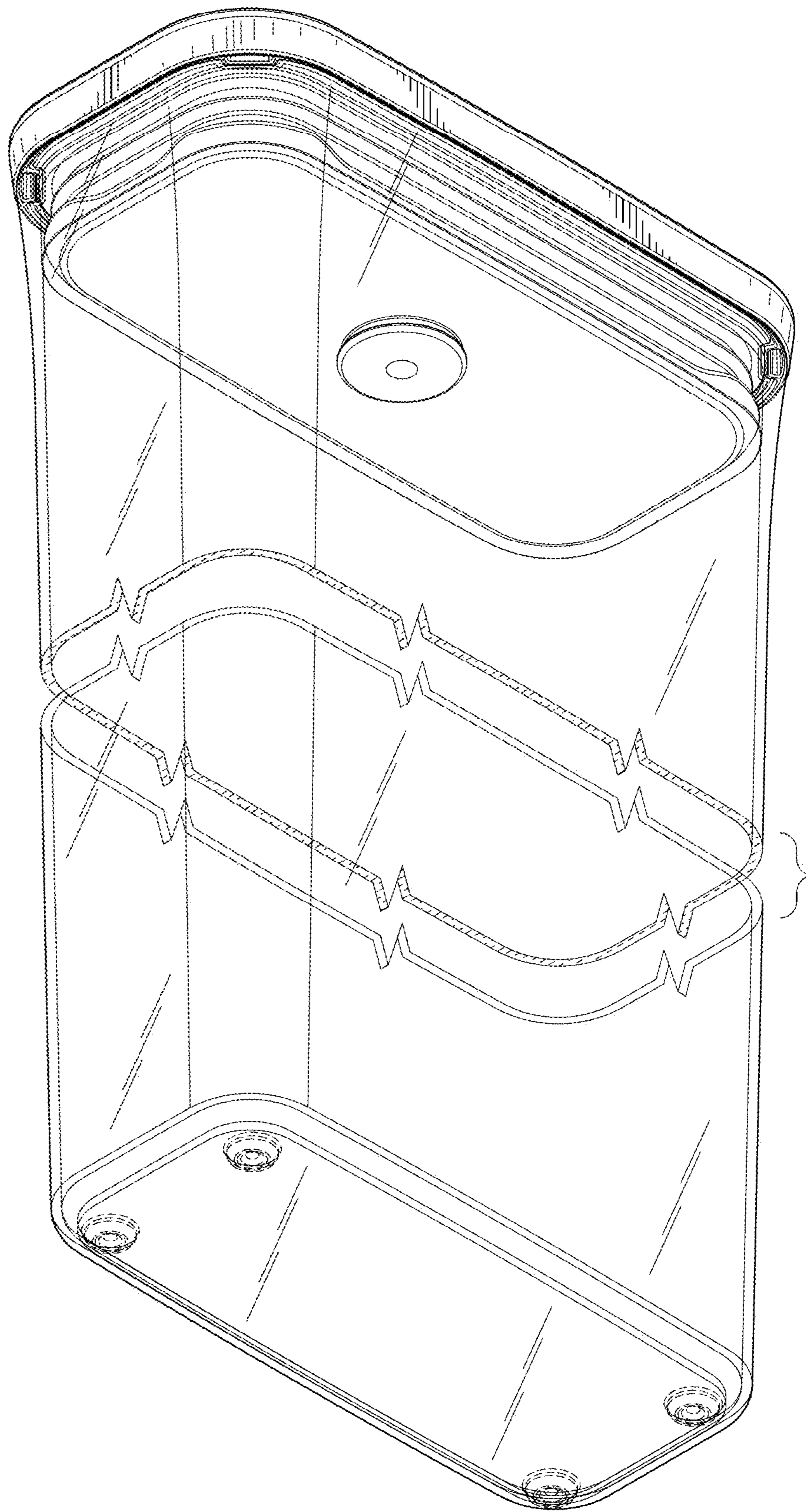


FIG.30



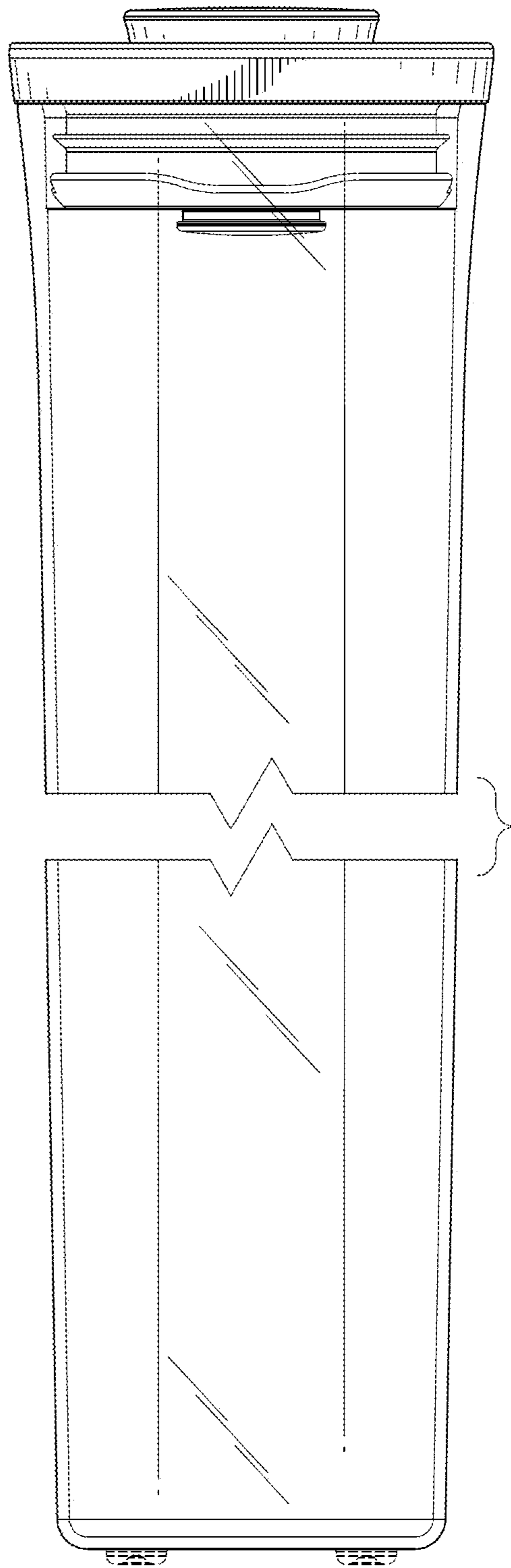


FIG. 31

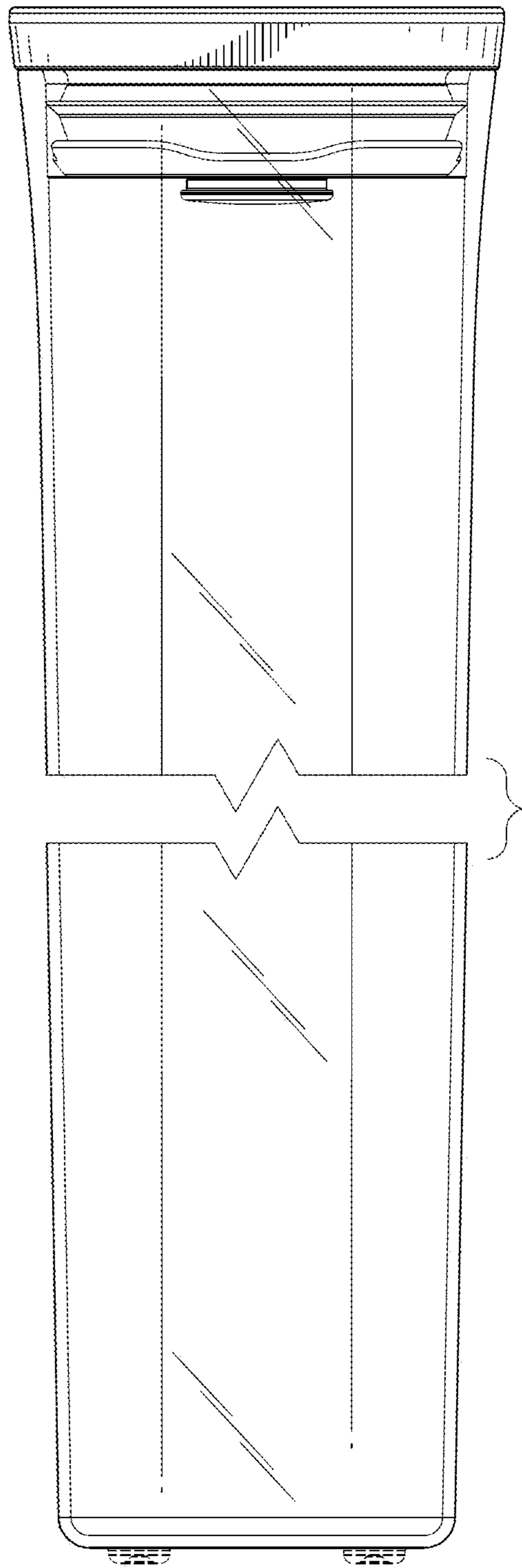


FIG.32

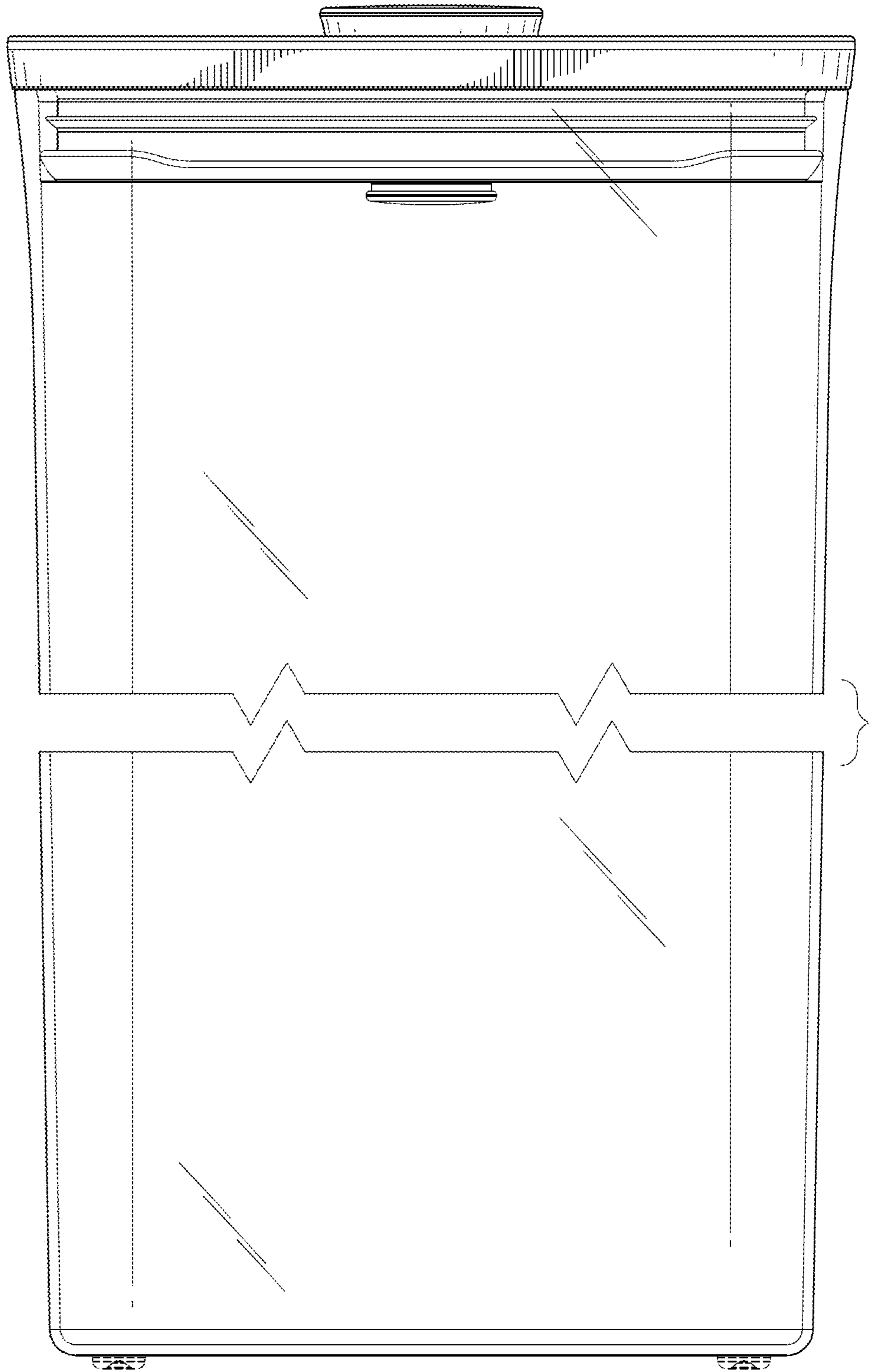


FIG. 33

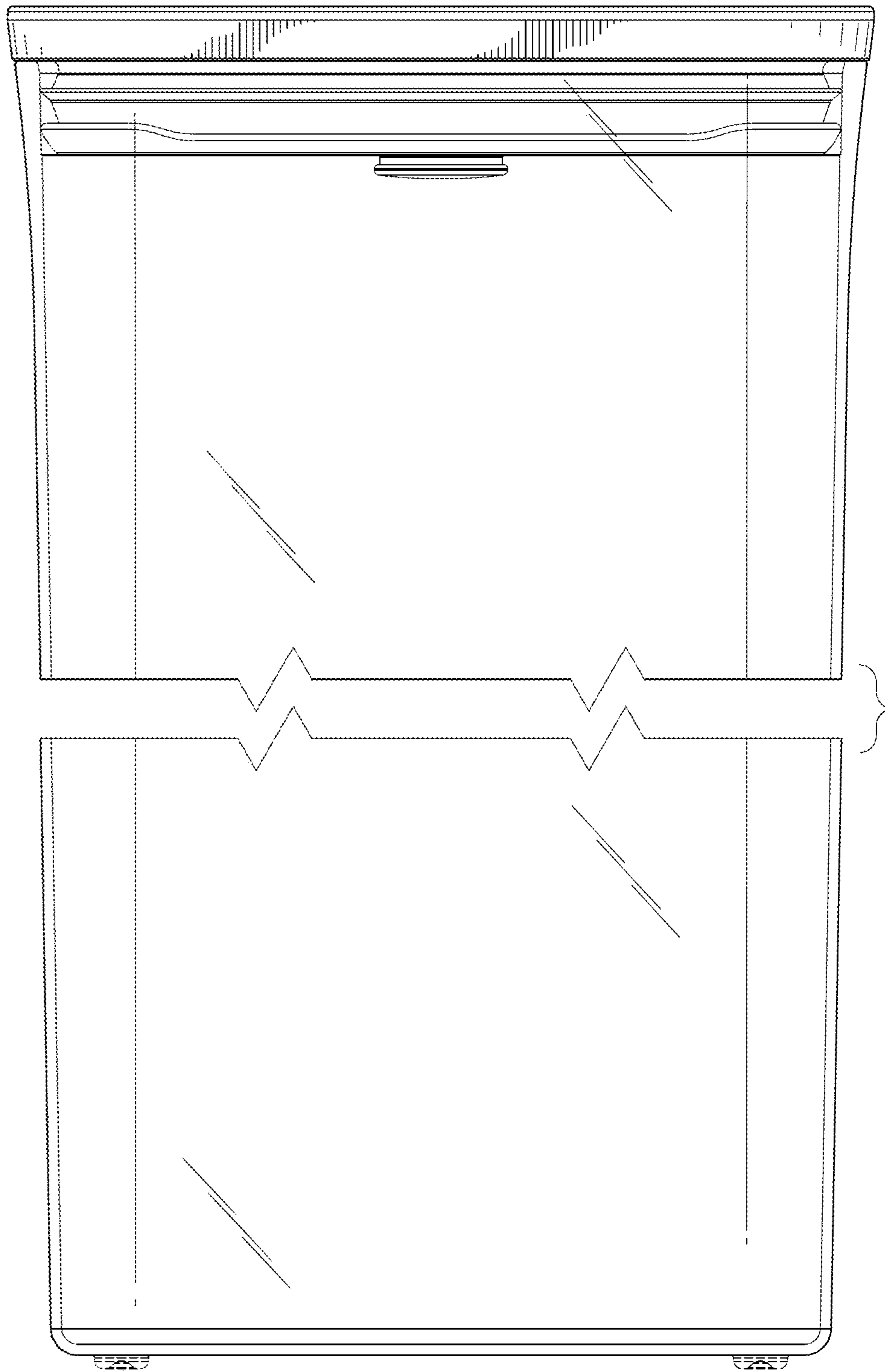


FIG.34

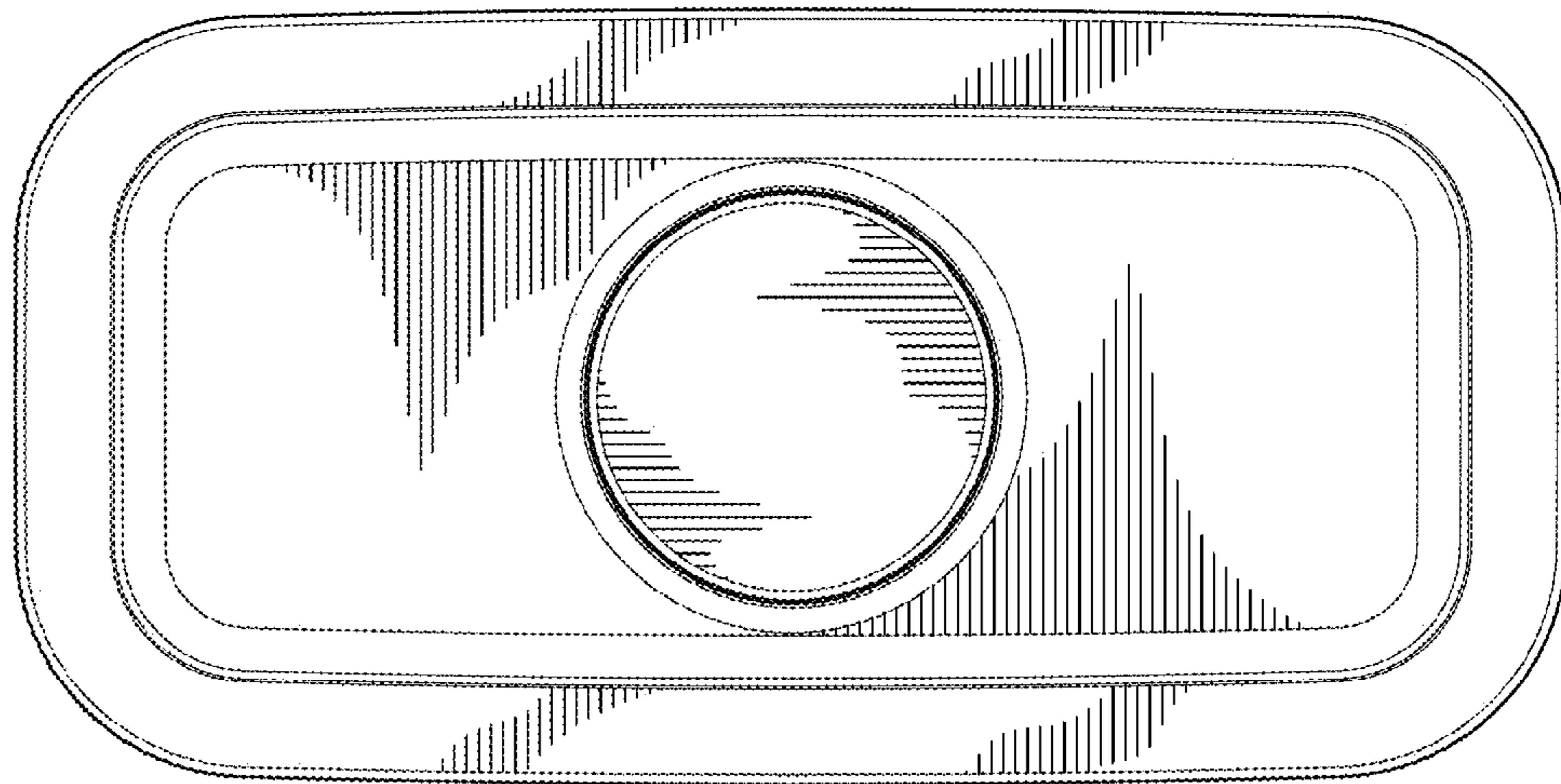


FIG. 35

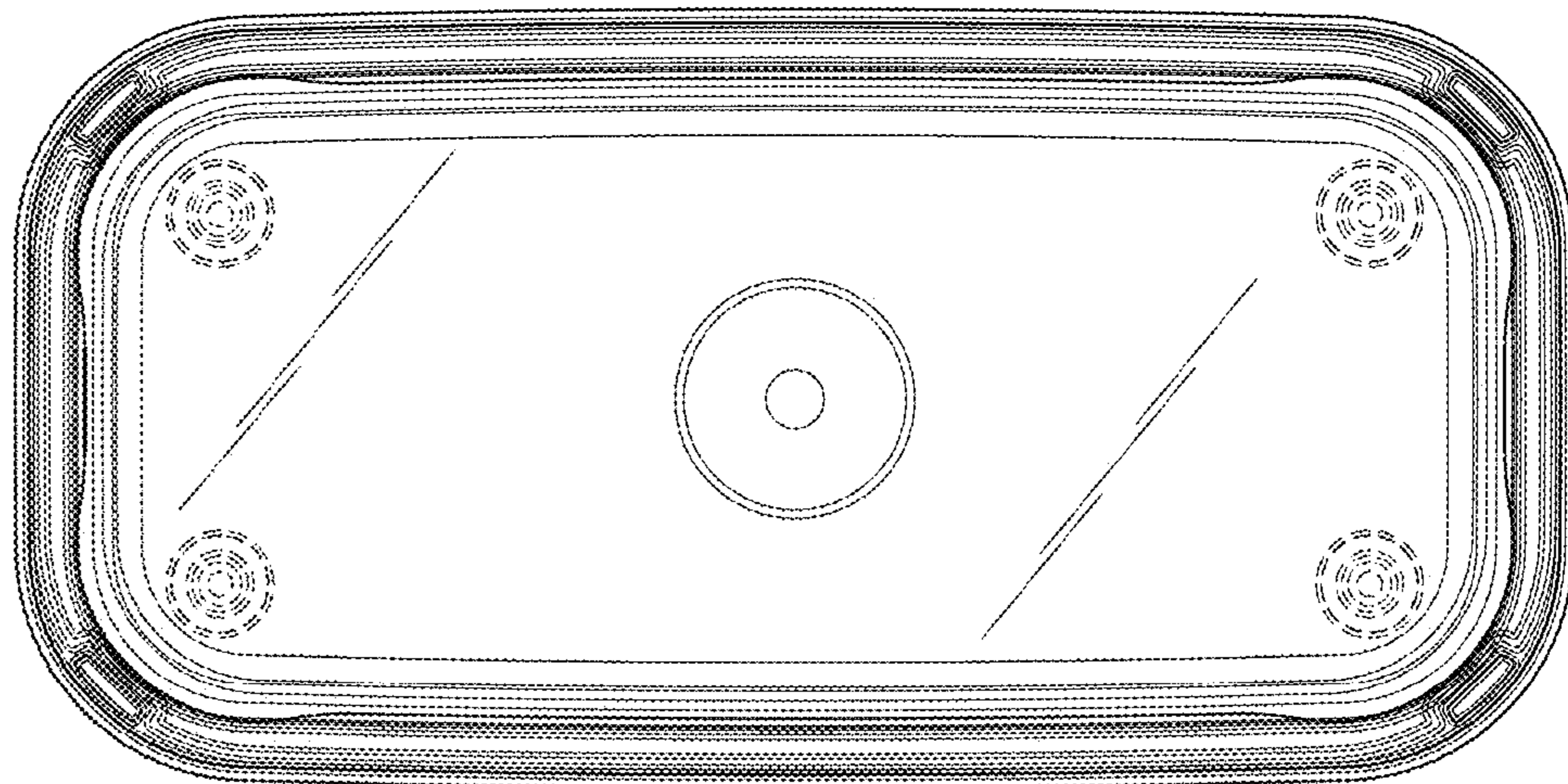


FIG. 36