



US00D877564S

(12) **United States Design Patent**
Lira-Nunez et al.

(10) **Patent No.:** **US D877,564 S**
(45) **Date of Patent:** **** Mar. 10, 2020**

- (54) **GRILL SHROUD**
- (71) Applicants: **Carmen O. Lira-Nunez**, Downers Grove, IL (US); **Mark Richard Pavel**, Lisle, IL (US); **Anton Kalisiak**, Palatine, IL (US)
- (72) Inventors: **Carmen O. Lira-Nunez**, Downers Grove, IL (US); **Mark Richard Pavel**, Lisle, IL (US); **Anton Kalisiak**, Palatine, IL (US)

D557,066 S	12/2007	Chau	
D557,068 S *	12/2007	Lee	D7/402
D557,558 S	12/2007	Chau	
D558,518 S	1/2008	Ho	
D562,629 S	2/2008	Chau	
D562,630 S	2/2008	Chau	
D564,834 S	3/2008	Bruno	
D572,973 S	7/2008	Chau	
D580,220 S	11/2008	McKenzie	
D586,615 S *	2/2009	Lee	D7/402
D587,525 S	3/2009	Chau	
D604,557 S	11/2009	Lee	

(Continued)

- (73) Assignee: **Weber-Stephen Products LLC**, Palatine, IL (US)

(**) Term: **15 Years**

(21) Appl. No.: **29/619,290**

(22) Filed: **Sep. 28, 2017**

(51) **LOC (12) Cl.** **07-99**

(52) **U.S. Cl.**
USPC **D7/405**

(58) **Field of Classification Search**
 USPC D7/323, 340, 339, 332-337, 331, 351, D7/346-349, 408, 405, 403, 402, 406, D7/387, 345, 343, 539, 564, 571
 CPC A47J 37/07; A47J 37/0763; A47J 37/0704; H05B 1/0261; H05B 1/0263; H05B 6/687; F24C 3/008; F24C 3/002; F24C 3/00; F24C 7/02; F24C 7/00; F24C 5/00
 See application file for complete search history.

(56) **References Cited**

U.S. PATENT DOCUMENTS

D494,009 S *	8/2004	Joss	D7/402
D494,413 S	8/2004	Joss	
D497,284 S	10/2004	Pai	
D504,048 S *	4/2005	Joss	D7/402
D512,268 S	6/2005	Pai	
D527,947 S	9/2006	Pai	
D554,944 S	11/2007	Wood	

OTHER PUBLICATIONS

Expert Report on Industrial Design Application, dated Nov. 5, 2018, in corresponding Chilean Application No. 201800795.

Primary Examiner — Michelle E. Wilson

(74) *Attorney, Agent, or Firm* — Vitale, Vickrey, Niro & Gasey LLP

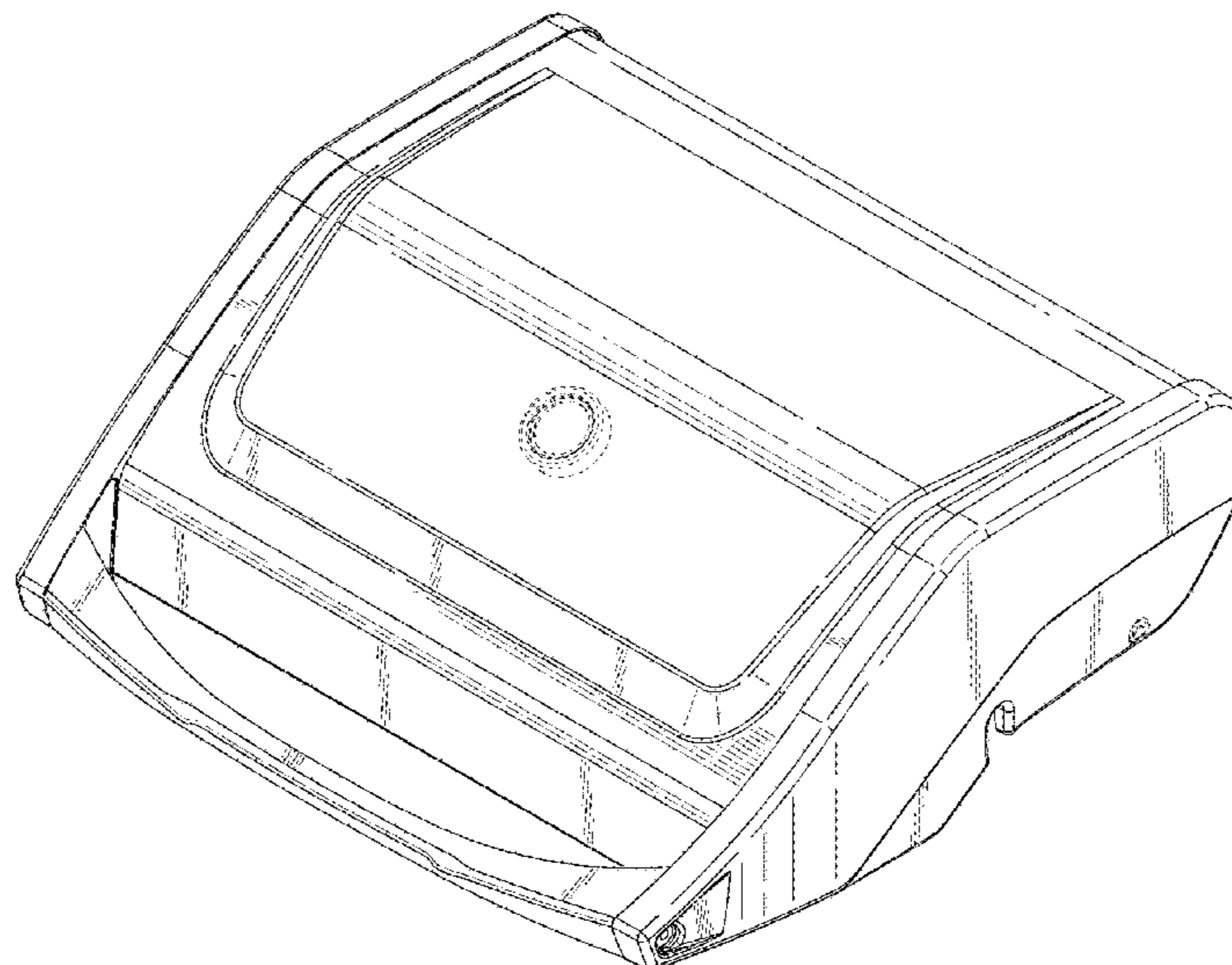
(57) **CLAIM**

The ornamental design for a grill shroud, as shown and described.

DESCRIPTION

FIG. 1 is a perspective view of a grill shroud of the present invention.
 FIG. 2 is a top view of the grill shroud of the present invention.
 FIG. 3 is a front view of the grill shroud of the present invention.
 FIG. 4 is a left side view of the grill shroud of the present invention, the right side view being a mirror image of the left side view; and,
 FIG. 5 is a back view of the grill shroud of the present invention.
 The broken lines showing portions of the article form no part of the claimed design.

1 Claim, 5 Drawing Sheets



(56)

References Cited

U.S. PATENT DOCUMENTS

D604,558 S	*	11/2009	Chau	D7/402
D618,951 S	*	7/2010	Tzeng	D7/334
D638,661 S	*	5/2011	Schroeter	D7/402
D656,786 S		4/2012	Lockhart	
D688,517 S		8/2013	Eilgus	
D694,568 S	*	12/2013	Alden	D7/334
D709,725 S		7/2014	Golsch	
D737,096 S		8/2015	Lee	
D769,065 S		10/2016	Wilgus	
D798,645 S	*	10/2017	Lira-Nunez	D7/334
D798,646 S	*	10/2017	Lira-Nunez	D7/334
D799,259 S	*	10/2017	Lira-Nunez	D7/334
D799,264 S	*	10/2017	Lira-Nunez	D7/402
D809,328 S	*	2/2018	Lira-Nunez	D7/334
D815,875 S	*	4/2018	Lira-Nunez	D7/334
D816,385 S	*	5/2018	Lira-Nunez	D7/334
D845,057 S	*	4/2019	Lira-Nunez	D7/334

* cited by examiner

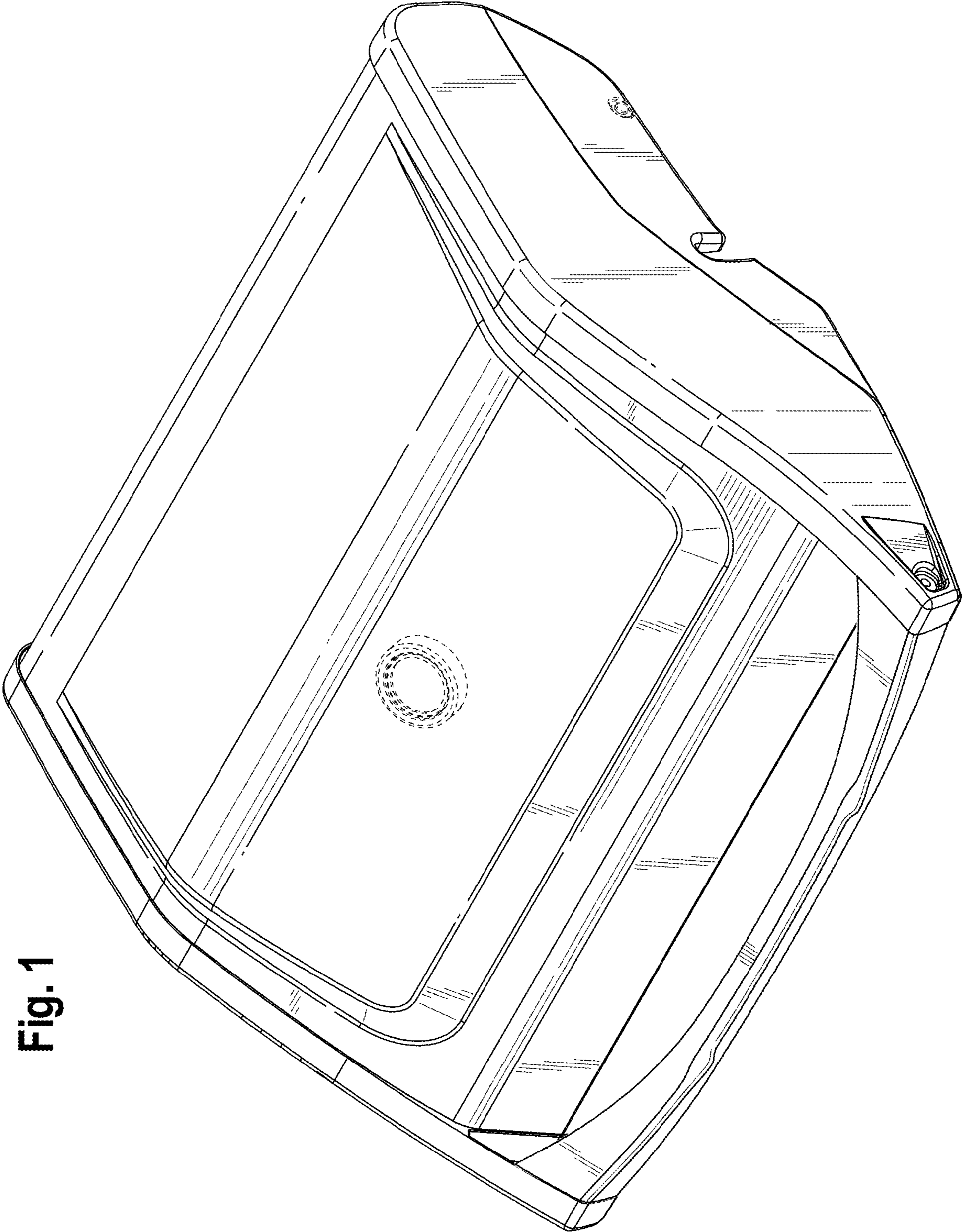


Fig. 1

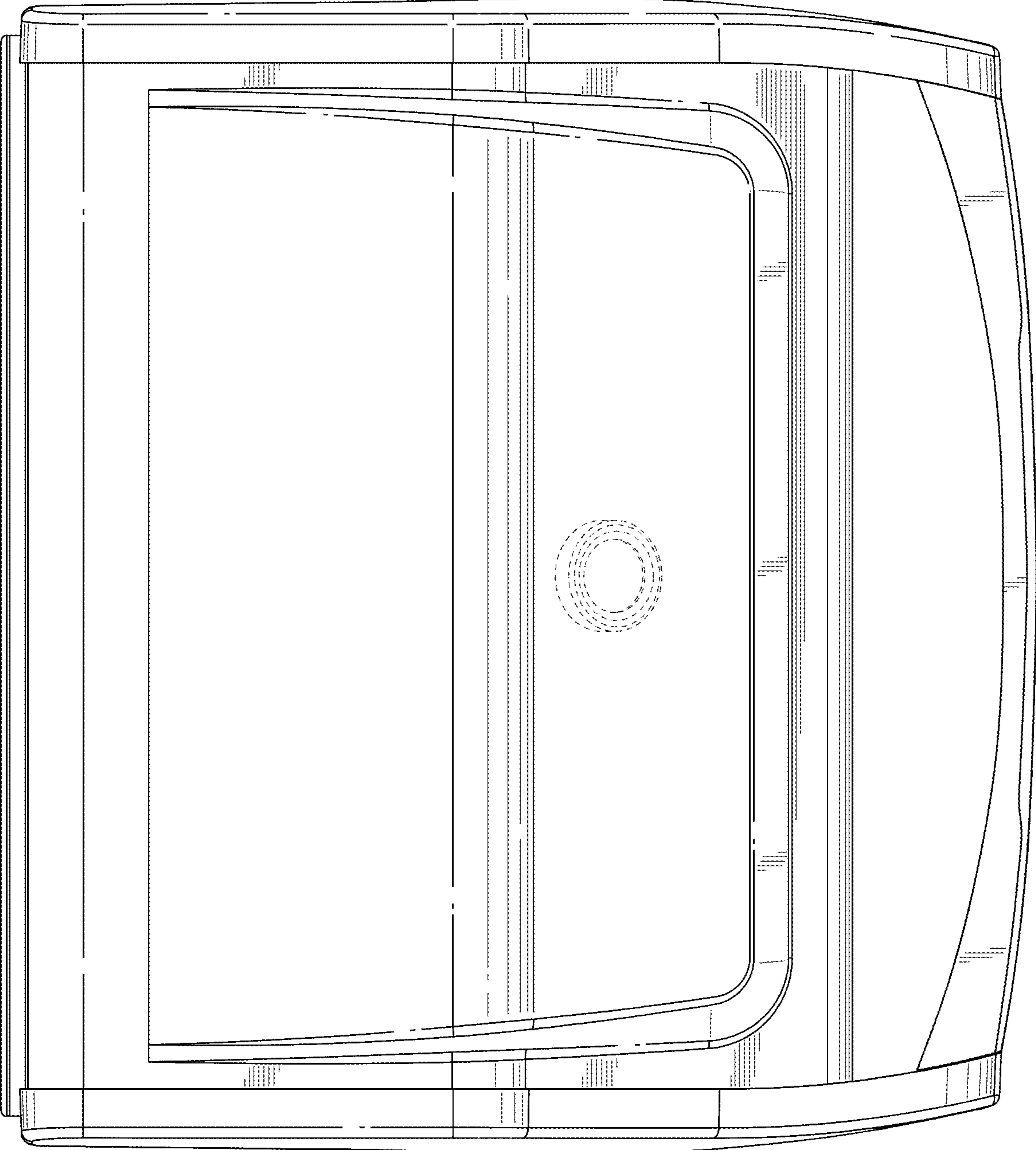


Fig. 2

Fig. 3

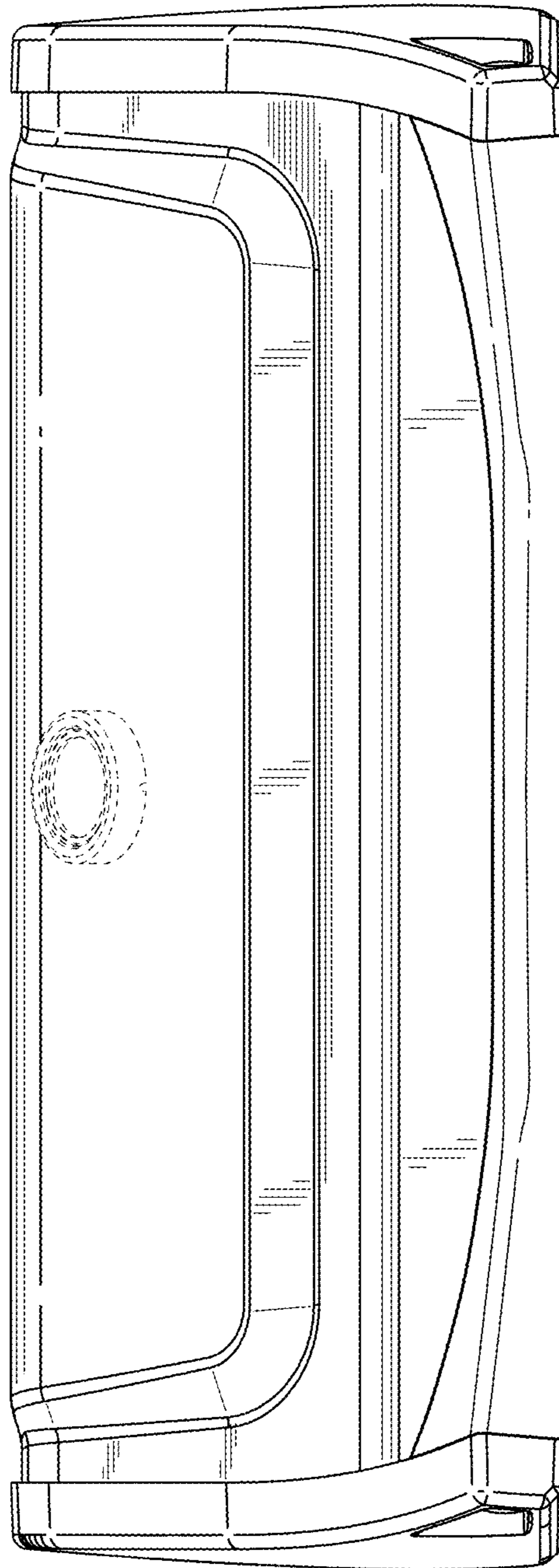


Fig. 4

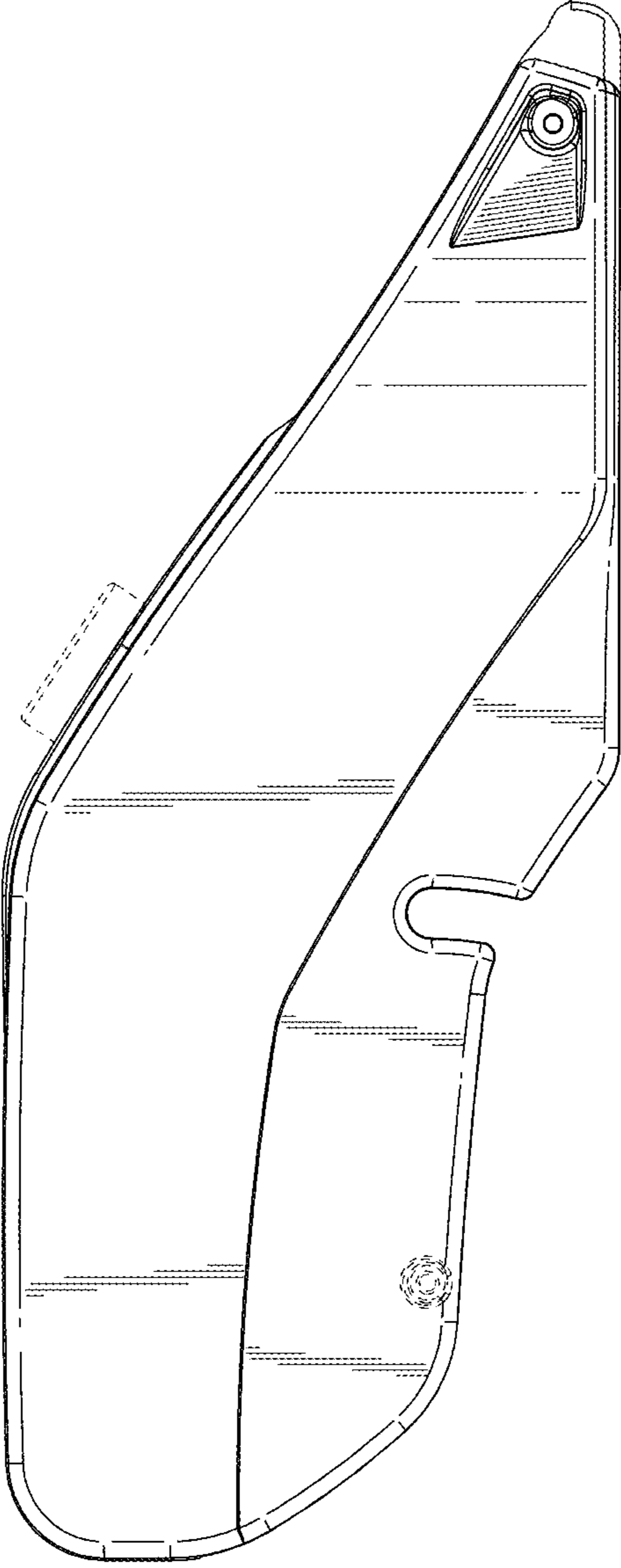


Fig. 5

