



US00D877561S

(12) **United States Design Patent**
Matsumoto et al.

(10) **Patent No.:** **US D877,561 S**
(45) **Date of Patent:** **** Mar. 10, 2020**

(54) **DATE EXPIRATION TRACKING DEVICE**

5,129,352 A * 7/1992 Roberts G09F 11/04
116/308

(71) Applicants: **Tamotsu Matsumoto**, Chiba (JP);
Makiko Kida, Ichikawa (JP); **Taiki**
Nosaka, Funabashi (JP)

D465,969 S * 11/2002 Morin D7/392.1
D501,755 S * 2/2005 Namur D7/392
D712,252 S * 9/2014 Neumann D9/435
9,265,695 B1 * 2/2016 Fralick A61J 7/04
D818,766 S * 5/2018 Xie D7/391
D838,167 S * 1/2019 Lopynski D9/436
D839,664 S * 2/2019 Pentelovitch D7/391
2006/0124501 A1 * 6/2006 McNeely A61J 7/04
206/534
2011/0056426 A1 * 3/2011 Fralick A61J 7/04
116/308

(72) Inventors: **Tamotsu Matsumoto**, Chiba (JP);
Makiko Kida, Ichikawa (JP); **Taiki**
Nosaka, Funabashi (JP)

(73) Assignee: **Helen of Troy Limited**, St. Michael
(BB)

(**) Term: **15 Years**

* cited by examiner

(21) Appl. No.: **29/630,122**

Primary Examiner — Brett Miller

(22) Filed: **Dec. 19, 2017**

(74) *Attorney, Agent, or Firm* — Rankin, Hill & Clark
LLP

(51) **LOC (12) Cl.** **07-07**

(52) **U.S. Cl.**
USPC **D7/392.1; D9/436**

(58) **Field of Classification Search**
USPC D10/46.2, 46.3; D9/436, 445, 435, 454;
D7/392.1, 391; 116/308, 309; 206/534;
215/230
CPC B65D 41/26; A61J 7/04; G09F 11/23
See application file for complete search history.

(57) **CLAIM**

The ornamental design for a date expiration tracking device,
as shown, and described.

DESCRIPTION

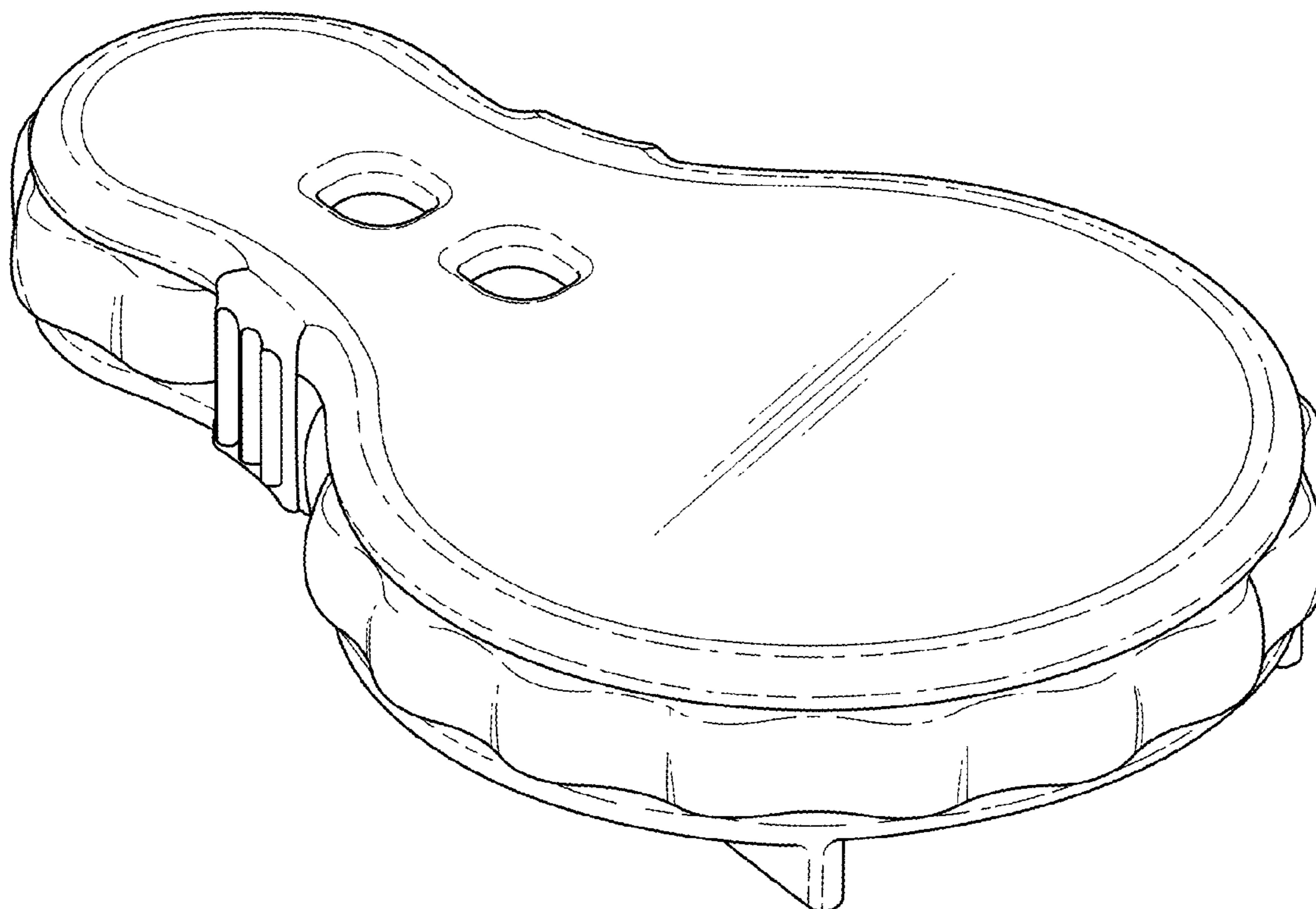
FIG. 1 is a perspective view of the date expiration tracking
device;
FIG. 2 is a right elevation view thereof (with the left a mirror
image thereof);
FIG. 3 is a rear elevation view thereof;
FIG. 4 is a front elevation view thereof;
FIG. 5 is a top view thereof; and,
FIG. 6 is a bottom view thereof.

(56) **References Cited**

U.S. PATENT DOCUMENTS

2,083,788 A * 6/1937 Loeber B67C 11/02
7/151
D172,571 S * 7/1954 Ward D9/436

1 Claim, 6 Drawing Sheets



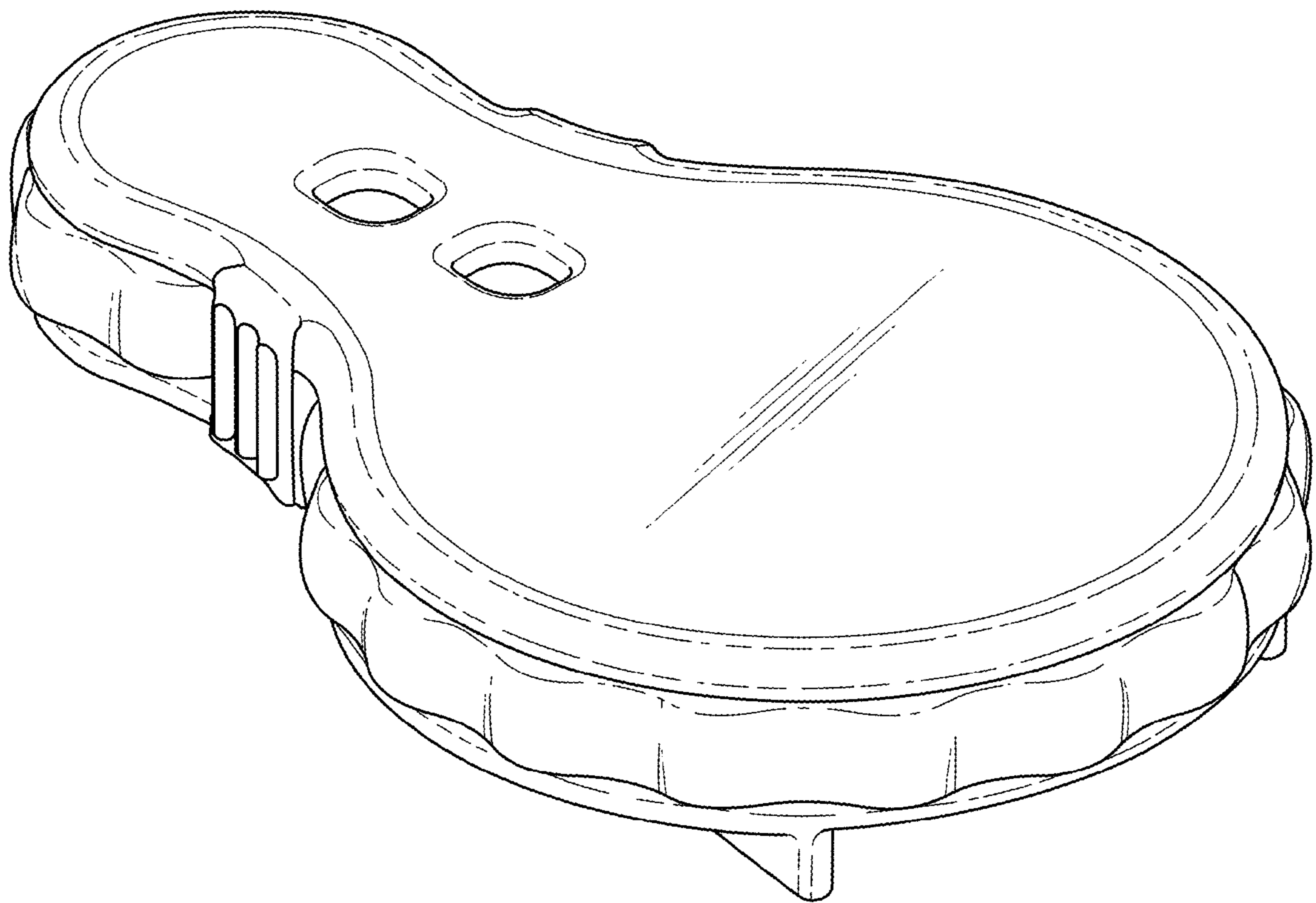


FIG. 1

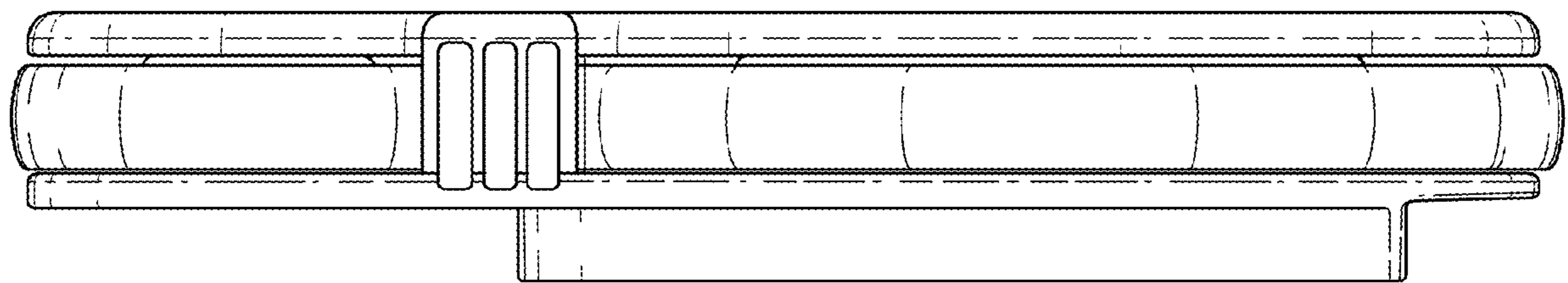


FIG. 2

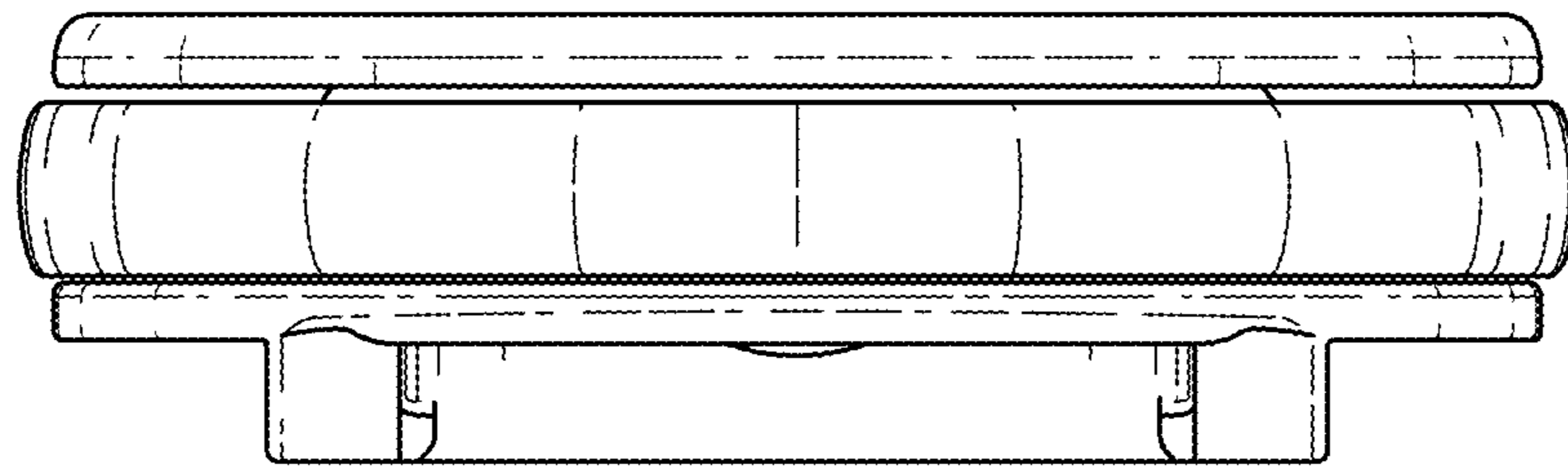


FIG. 3

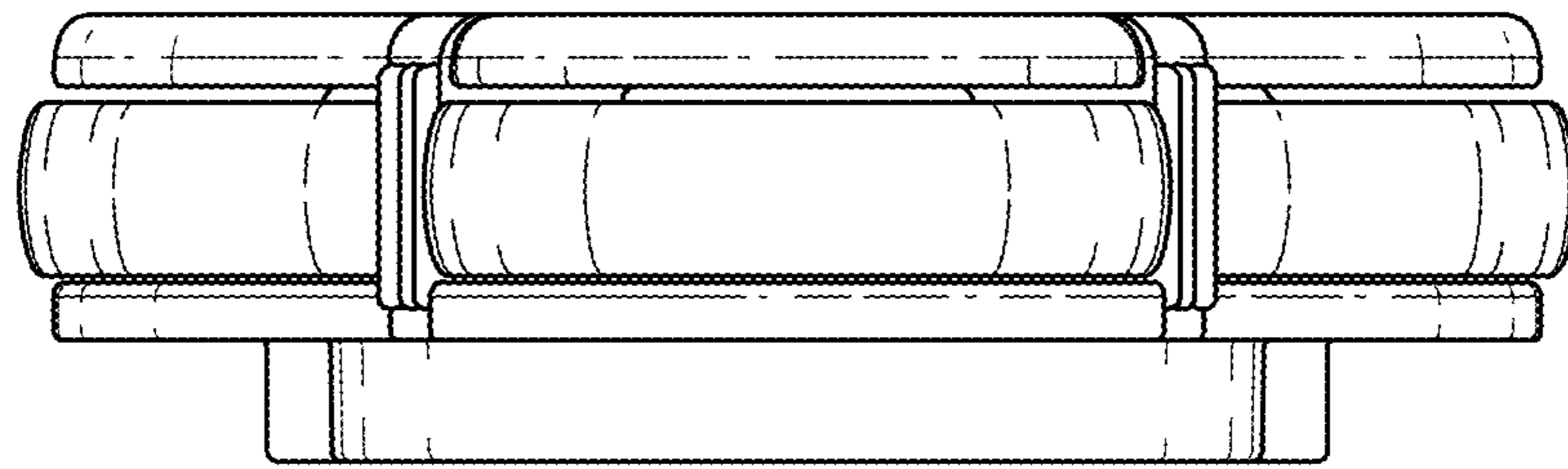


FIG. 4

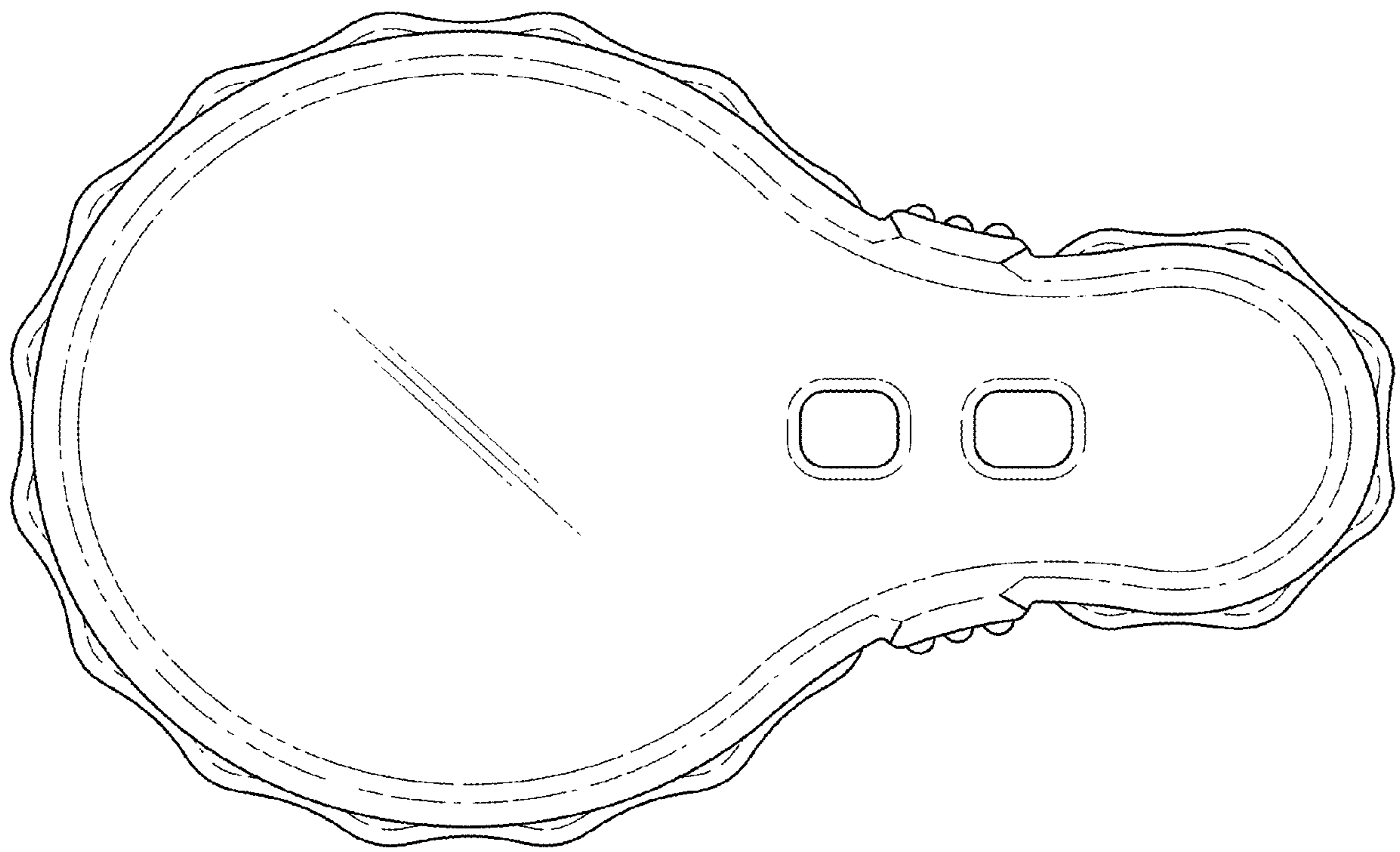


FIG. 5

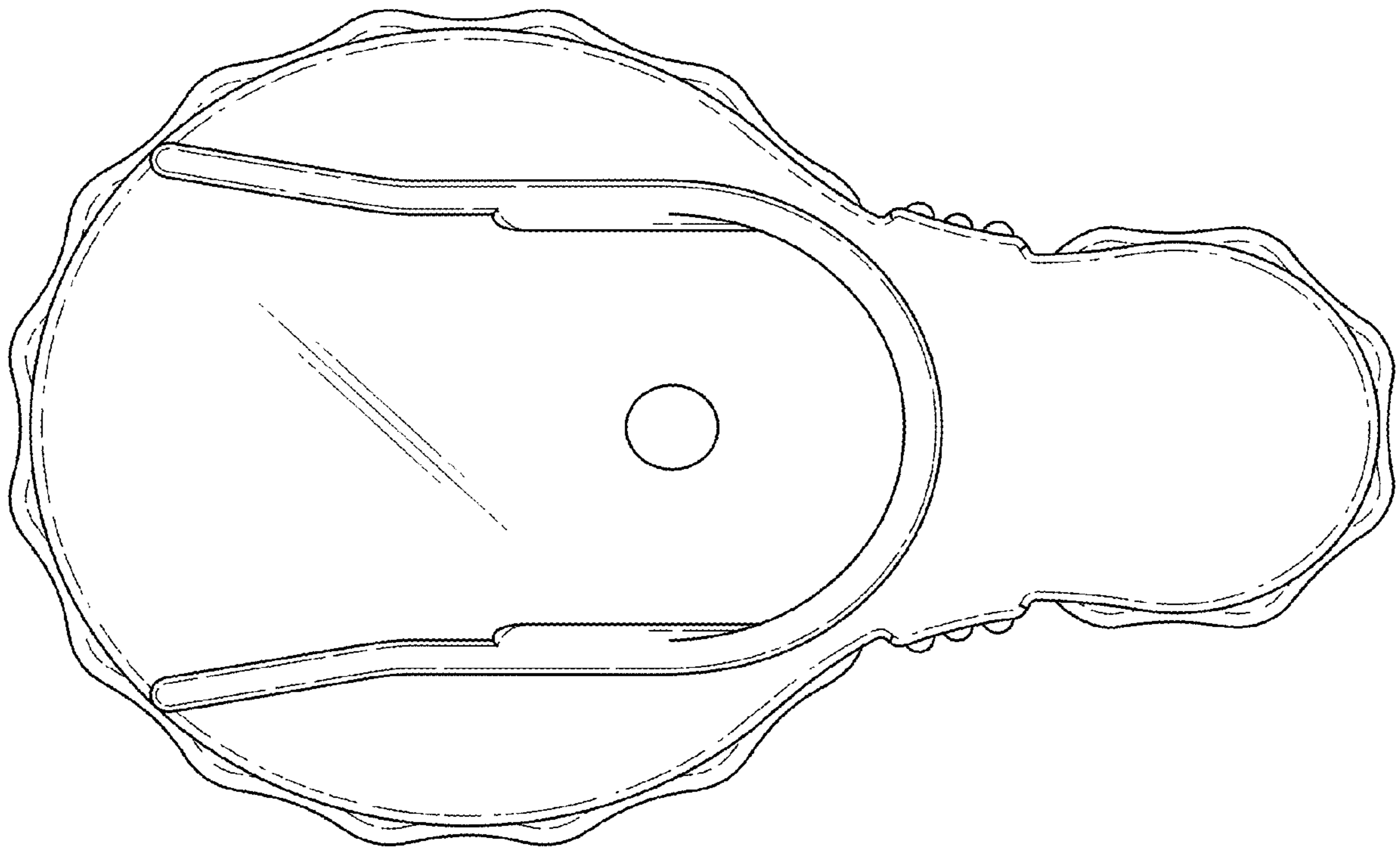


FIG. 6