



US00D877560S

(12) **United States Design Patent**
Lane et al.

(10) **Patent No.:** **US D877,560 S**

(45) **Date of Patent:** **** Mar. 10, 2020**

(54) **LID FOR BEVERAGE CONTAINER**

(71) Applicants: **Marvin Lane**, Wheeling, IL (US);
Dwayne Boroski, Lake in the Hills, IL
(US); **Audra Norvilas**, Palos Park, IL
(US); **Kelly Tina Lin**, Plainfield, IL
(US)

(72) Inventors: **Marvin Lane**, Wheeling, IL (US);
Dwayne Boroski, Lake in the Hills, IL
(US); **Audra Norvilas**, Palos Park, IL
(US); **Kelly Tina Lin**, Plainfield, IL
(US)

(73) Assignee: **Thermos L.L.C.**, Schaumburg, IL (US)

(**) Term: **15 Years**

(21) Appl. No.: **29/663,608**

(22) Filed: **Sep. 17, 2018**

(51) **LOC (12) Cl.** **07-99**

(52) **U.S. Cl.**
USPC **D7/392**

(58) **Field of Classification Search**
USPC D7/392, 392.1, 510, 511, 536, 900;
D9/447, 503, 532, 549
CPC B65D 81/3869; B65D 41/0407; B65D 39/00;
A47J 41/0011
See application file for complete search history.

(56) **References Cited**

U.S. PATENT DOCUMENTS

D379,151 S *	5/1997	Stevens	D9/503
D398,193 S *	9/1998	Sanchez	D7/608
D513,386 S *	1/2006	Pace	D9/504
D514,936 S *	2/2006	Pace	D9/504
D515,426 S *	2/2006	Pace	D9/504
D515,439 S *	2/2006	Pace	D9/746
D515,928 S *	2/2006	Pace	D9/504
D523,752 S *	6/2006	Bried	D9/504

D528,359 S *	9/2006	Laib	D7/392.1
D531,036 S *	10/2006	Bried	D9/504
D615,360 S *	5/2010	Joy	D7/510
D615,816 S *	5/2010	Joy	D7/507
D616,703 S *	6/2010	Joy	D7/507
D620,357 S *	7/2010	Jewett	D9/443
D686,885 S *	7/2013	Meyers	D7/629
D686,886 S *	7/2013	Meyers	D7/629
D686,887 S *	7/2013	Meyers	D7/629

(Continued)

OTHER PUBLICATIONS

Steamed not Fried website, LifeFactory Bottles, Earliest publication date Dec. 1, 2014, [site visited Jun. 29, 2019], Available on the Internet URL <https://web.archive.org/web/20141201054421/http://www.steamednotfried.com/lifefactory-bottles> (Year: 2014).*

Primary Examiner — Karen S Acker

Assistant Examiner — Steven B Reinholdt, Jr.

(74) *Attorney, Agent, or Firm* — Polsinelli PC

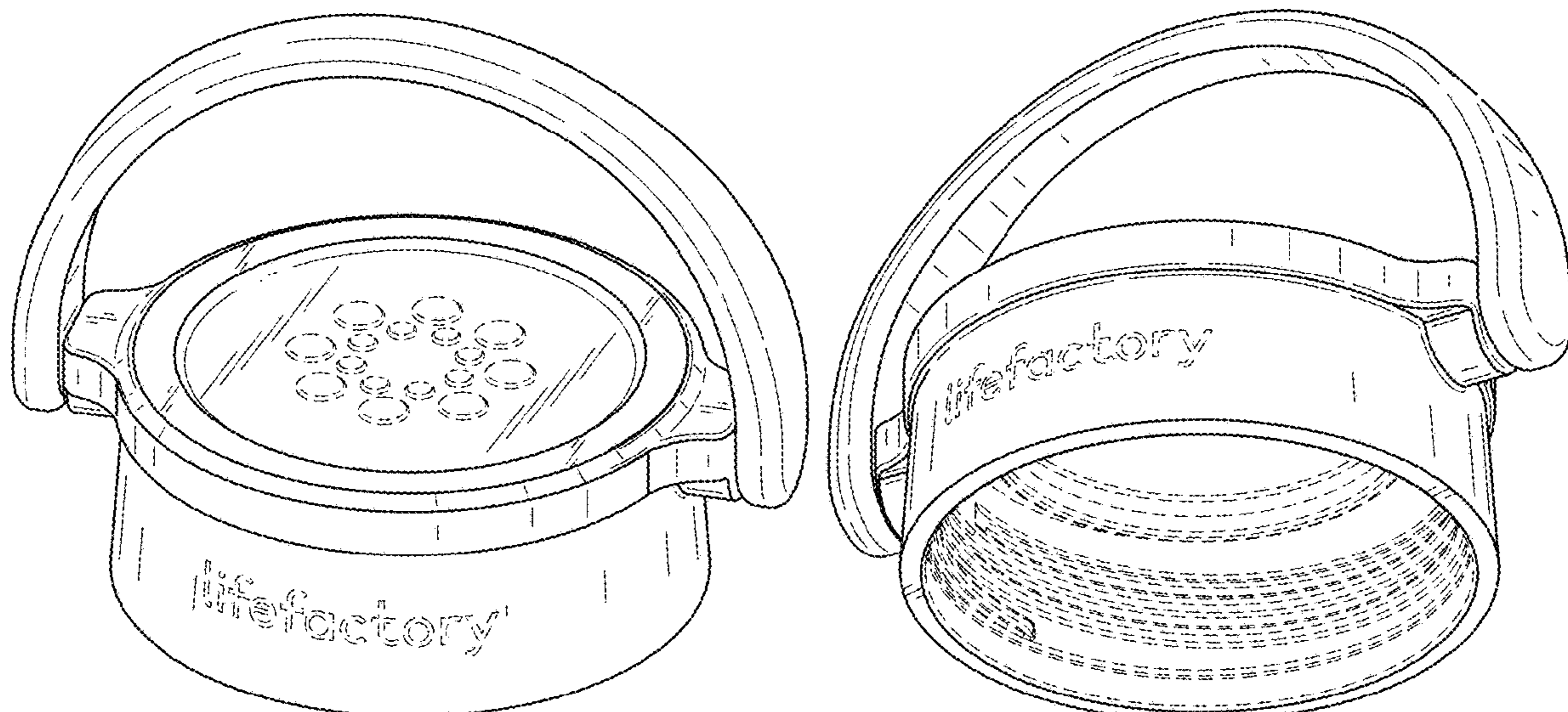
(57) **CLAIM**

The ornamental design for a lid for beverage container, as shown and described.

DESCRIPTION

FIG. 1 is an upper perspective view of a lid for beverage container showing our new design; FIG. 2 is a lower perspective view of the lid for beverage container; FIG. 3 is a front view of the lid for beverage container; FIG. 4 is a rear view of the lid for beverage container; FIG. 5 is a right side view of the lid for beverage container; FIG. 6 is a left side view of the lid for beverage container; FIG. 7 is a top view of the lid for beverage container; and, FIG. 8 is a bottom view of the lid for beverage container. The broken lines showing in the figures are included for the purpose of illustrating portions of the lid for beverage container that form no part of the claimed design.

1 Claim, 4 Drawing Sheets



(56)

References Cited

U.S. PATENT DOCUMENTS

D686,888	S	*	7/2013	Meyers	D7/629
D703,403	S	*	4/2014	Dey	D32/35
D703,997	S	*	5/2014	Munari	D7/393
D756,790	S	*	5/2016	Henriksson	D9/504
D766,668	S	*	9/2016	Garcia	D7/608
D786,012	S	*	5/2017	Hein	D7/396.2
D786,025	S	*	5/2017	Seiders	D7/606
D804,305	S	*	12/2017	White	D9/447
D811,818	S	*	3/2018	Wu	D7/510
D812,428	S	*	3/2018	Wu	D7/510
D824,763	S	*	8/2018	Suess	D9/454
D829,058	S	*	9/2018	Seiders	D7/624.2
D832,651	S	*	11/2018	Wiet	D7/511
D836,387	S	*	12/2018	Silsby	D7/392.1
D849,482	S	*	5/2019	Diener	D7/510
2016/0318693	A1	*	11/2016	Hein	B65D 41/0442

* cited by examiner

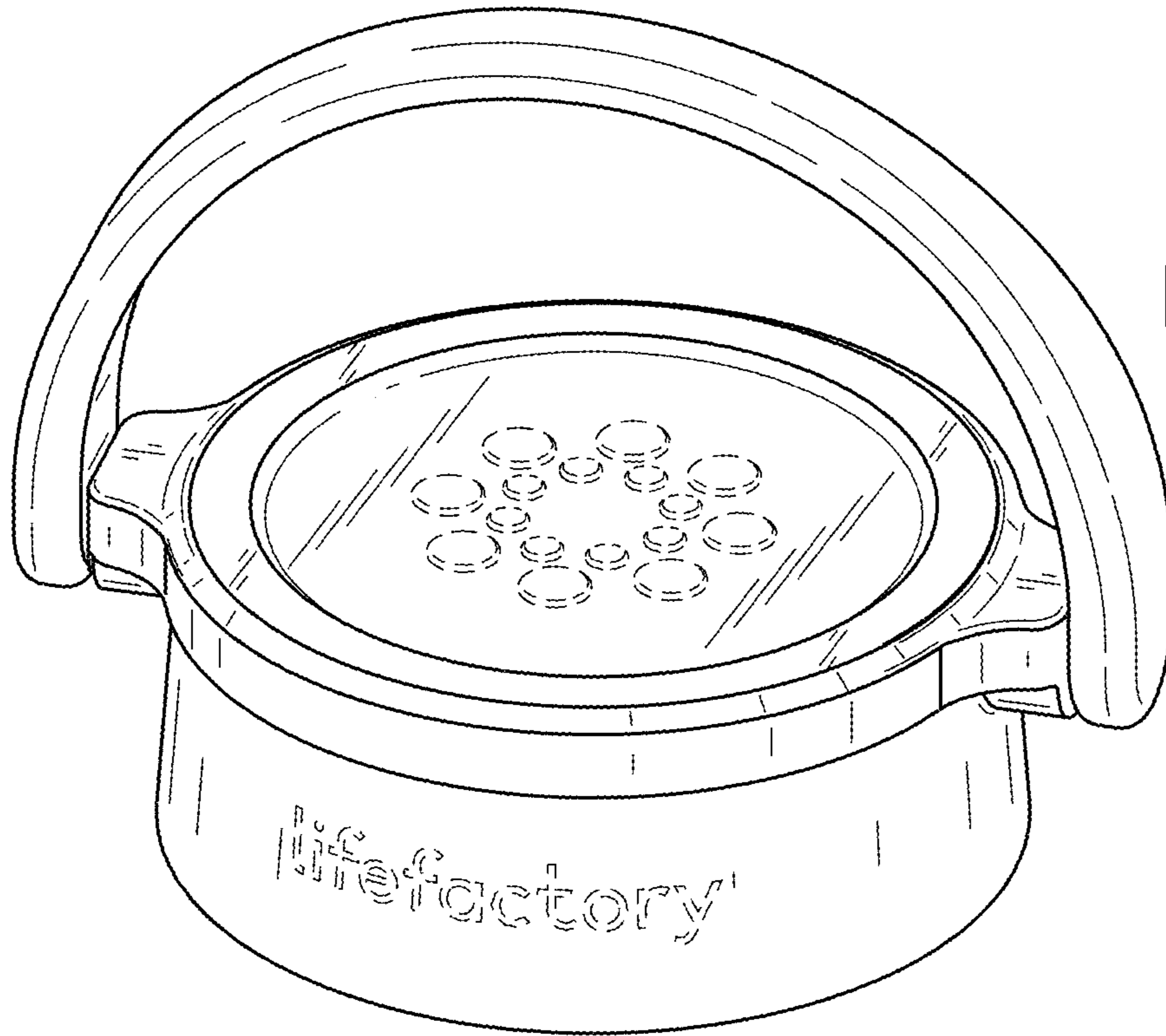


FIG. 1

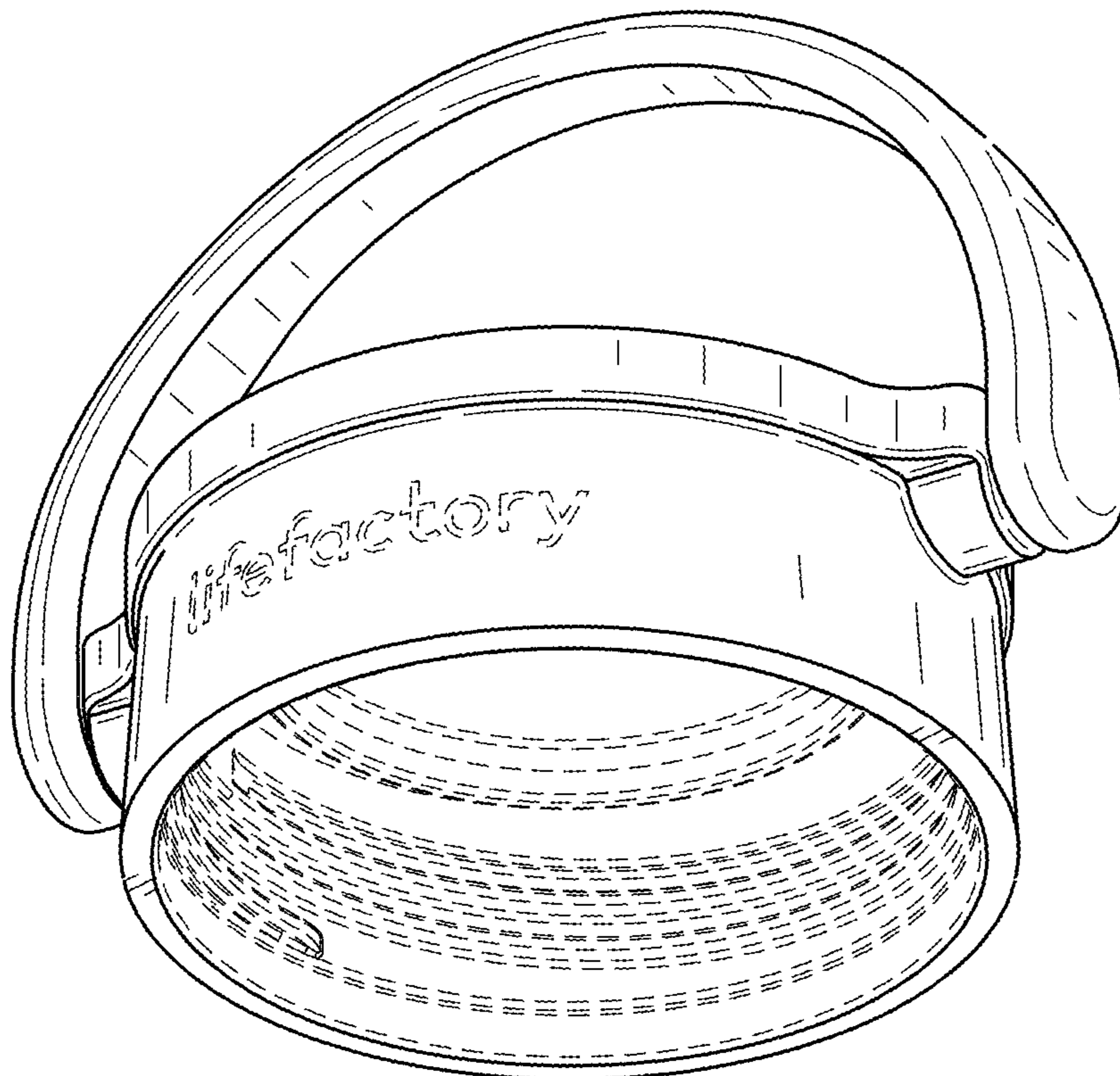


FIG. 2

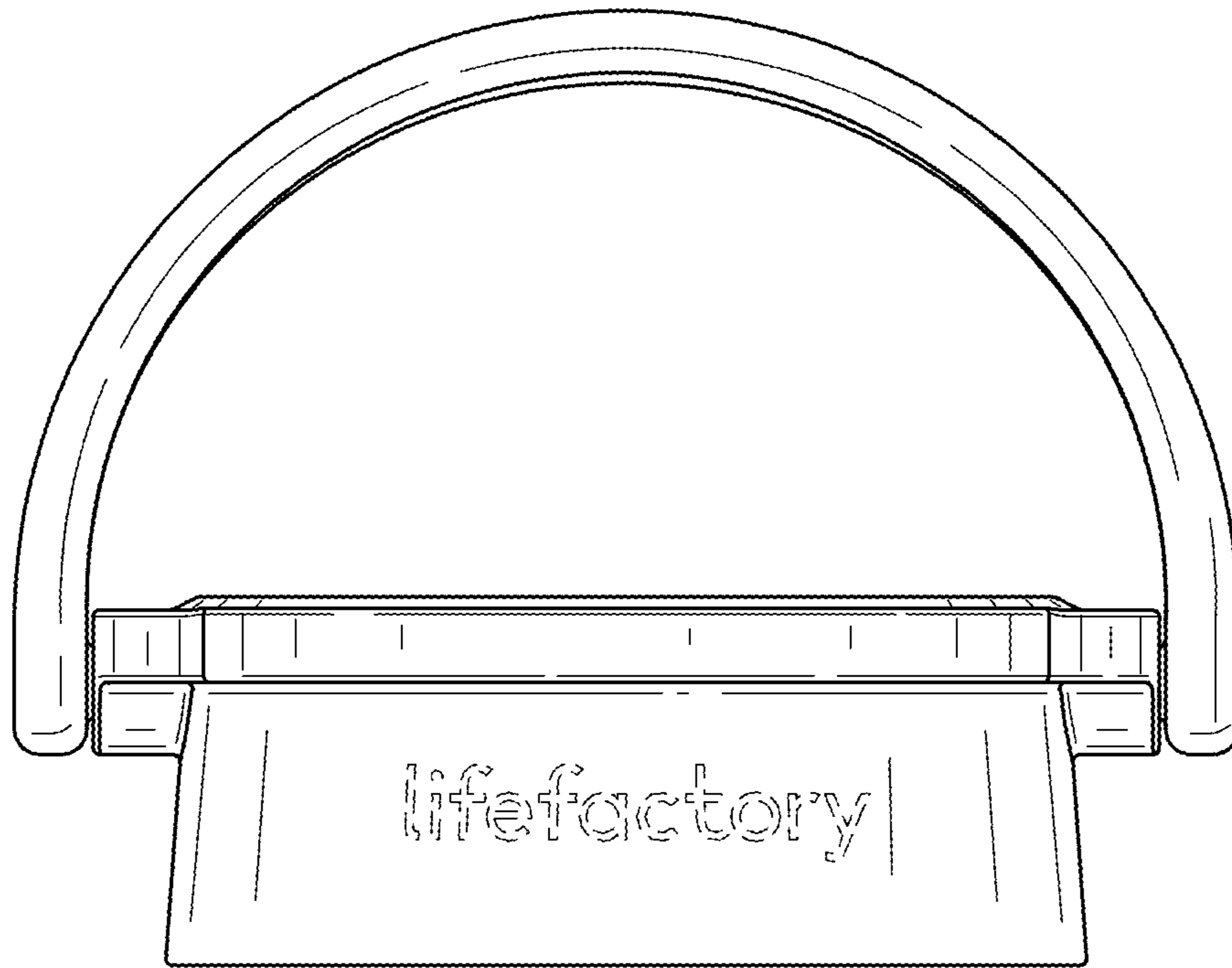


FIG. 3

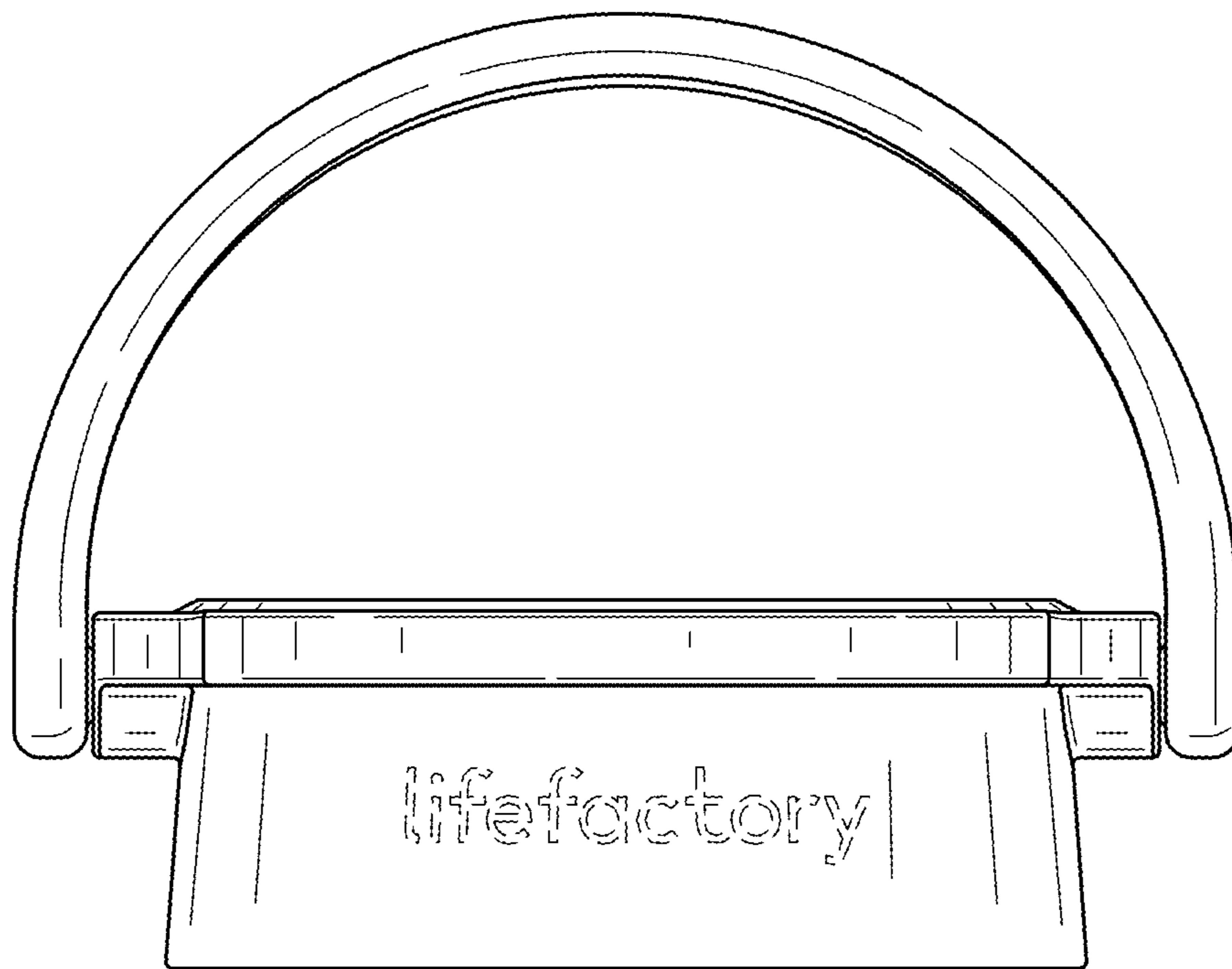


FIG. 4

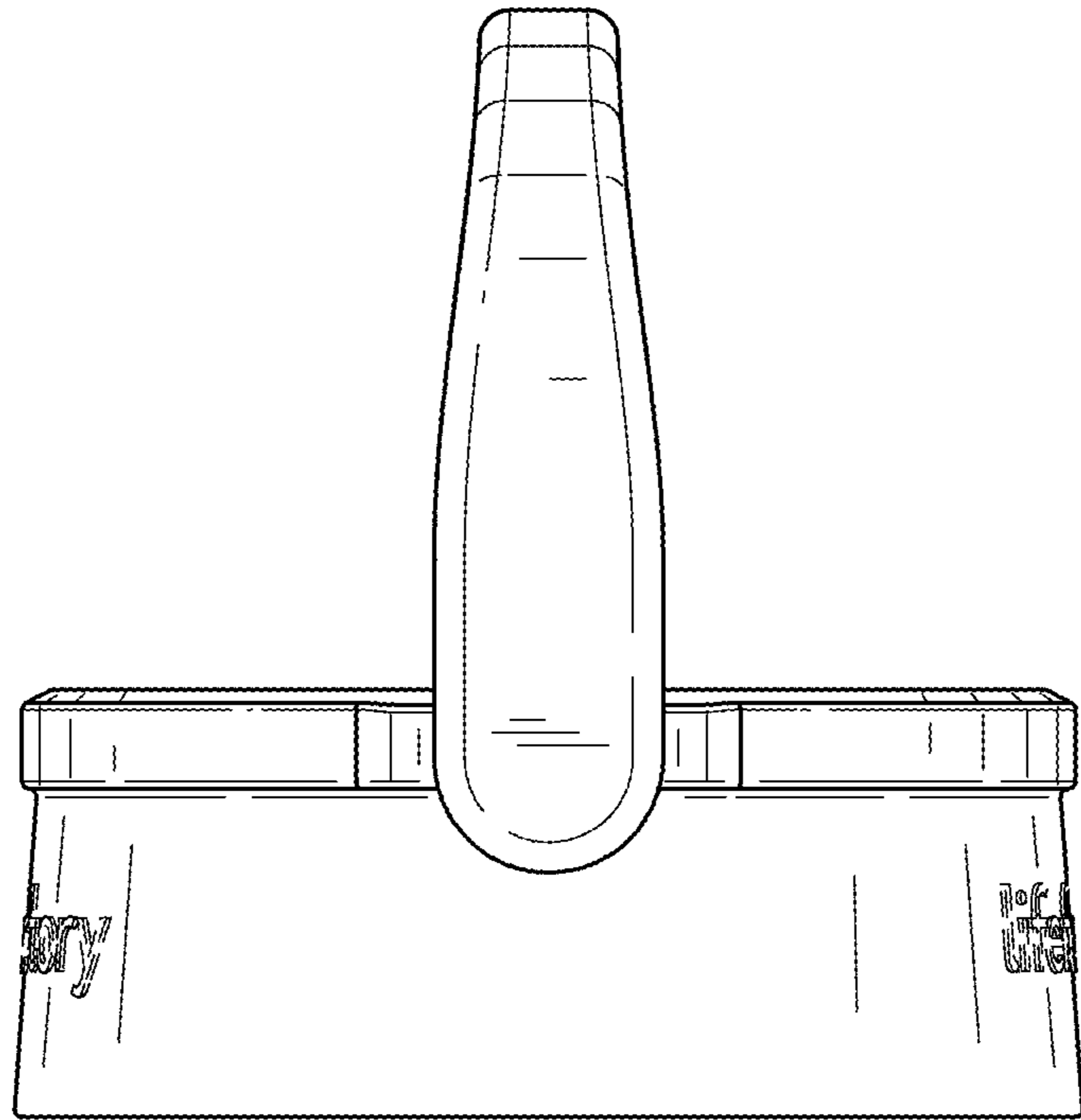


FIG. 5

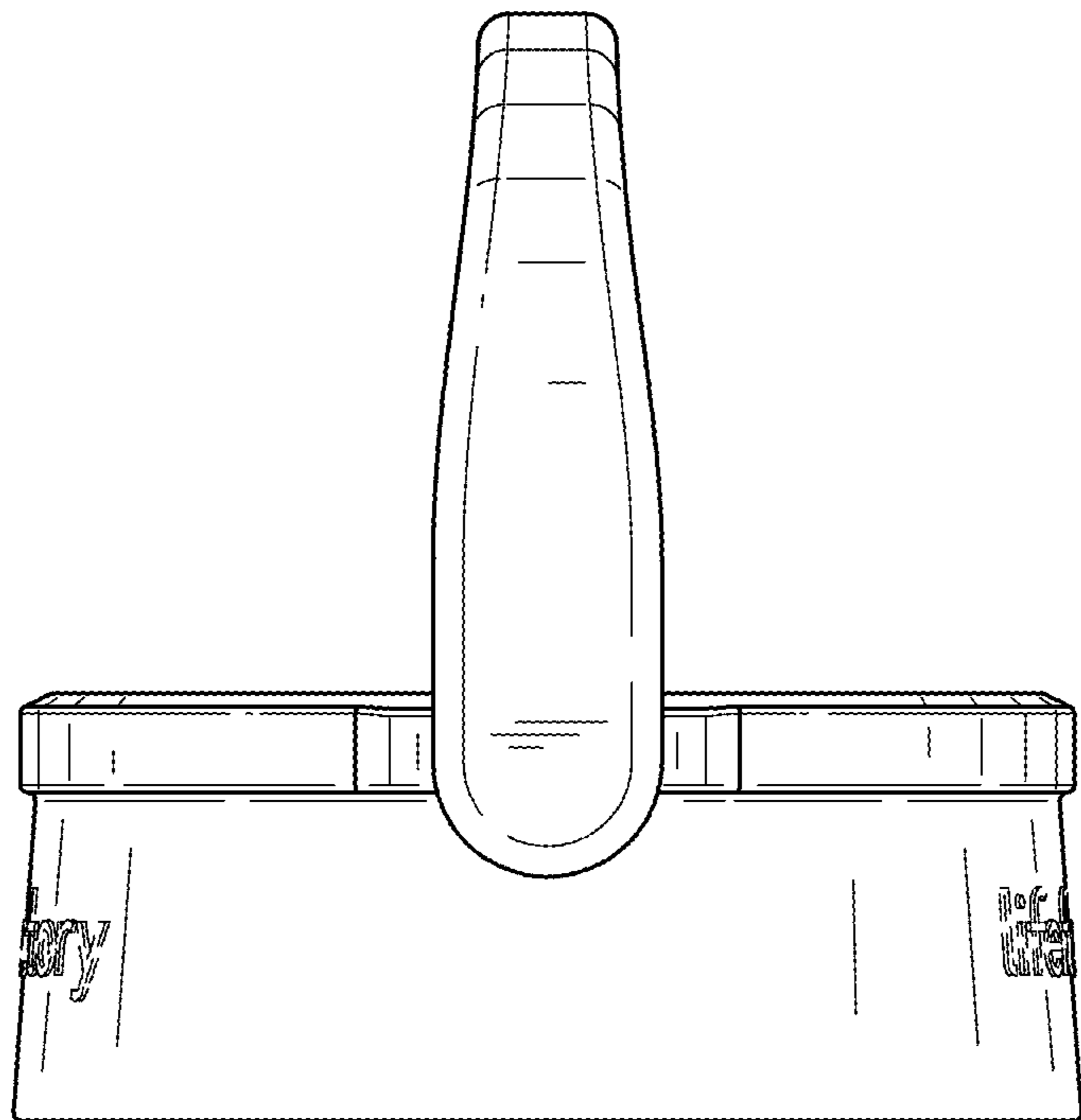


FIG. 6

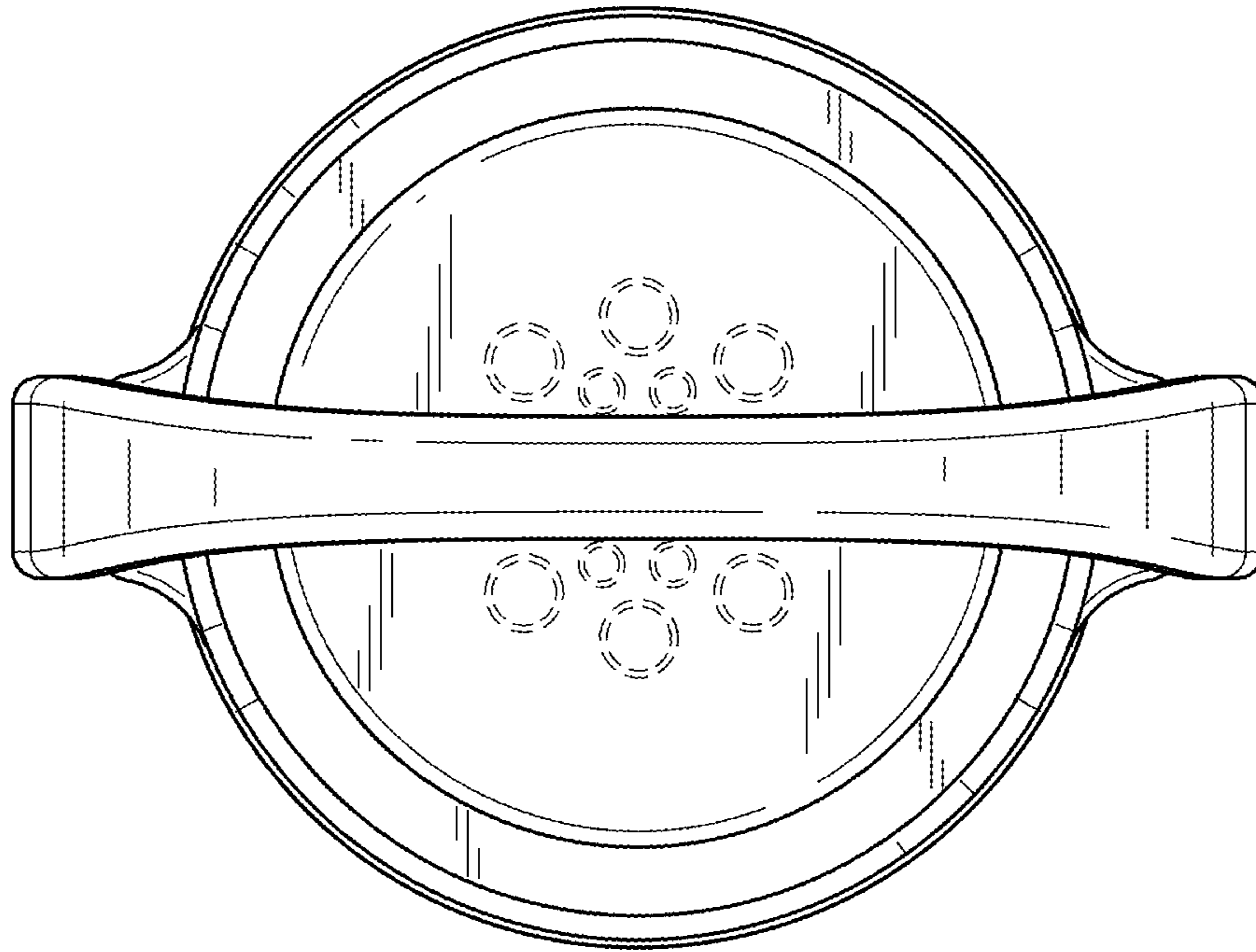


FIG. 7

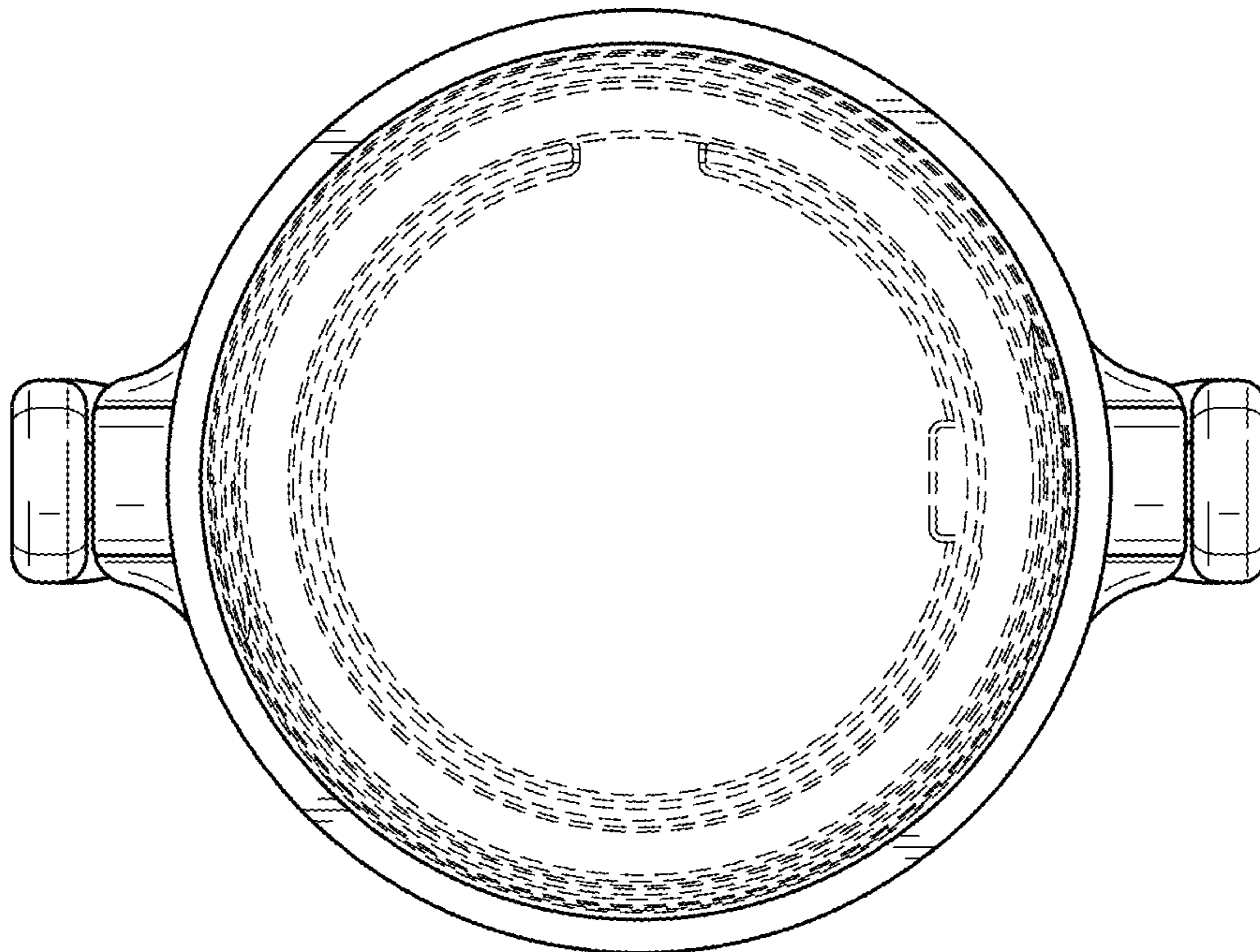


FIG. 8