



US00D877559S

(12) **United States Design Patent** (10) **Patent No.:** **US D877,559 S**
Ludwig et al. (45) **Date of Patent:** **** Mar. 10, 2020**

(54) **PLATE COVERS**

(71) Applicant: **Whirley Industries, Inc.**, Warren, PA (US)

(72) Inventors: **Benjamin L. Ludwig**, Warren, PA (US); **Peter Dorney**, Warren, PA (US); **Matthew Schlotzhauer**, Warren, PA (US)

(73) Assignee: **Whirley Industries Inc.**, Warren, PA (US)

(**) Term: **15 Years**

(21) Appl. No.: **29/686,581**

(22) Filed: **Apr. 5, 2019**

Related U.S. Application Data

(63) Continuation of application No. 16/376,042, filed on Apr. 5, 2019.

(51) **LOC (12) Cl.** **07-02**

(52) **U.S. Cl.**
USPC **D7/391**

(58) **Field of Classification Search**
USPC D7/325, 391, 392, 392.1, 393, 397,
D7/601-602, 629-630, 538-542;
D9/414, 424-432, 435, 445, 451-453
(Continued)

(56) **References Cited**

U.S. PATENT DOCUMENTS

D138,080 S * 6/1944 Derham D9/453
3,375,954 A 4/1968 Honkanen et al.
(Continued)

OTHER PUBLICATIONS

PlateTopper® see <http://platetopper.com/>.
(Continued)

Primary Examiner — Ricky Pham

(74) *Attorney, Agent, or Firm* — Buchanan Ingersoll & Rooney PC

(57) **CLAIM**

The ornamental design for a plate cover, as shown and described.

DESCRIPTION

FIG. 1 is a perspective view of a first embodiment of a plate cover;

FIG. 2 is a top view of FIG. 1;

FIG. 3 is a front view of FIG. 1, wherein a rear view, a left-hand side view, and a right-hand side view are mirror images of each other;

FIG. 4 is a bottom view of FIG. 1;

FIG. 5 is an environmental view of two plate covers, each one being a plate cover of FIG. 1;

FIG. 6 is an environmental view of two plate covers in a cross-sectional view taken along the A-A line of FIG. 1, each one being a plate cover of FIG. 1;

FIG. 7 is a perspective view of a second embodiment of a plate cover;

FIG. 8 is a top view of FIG. 7;

FIG. 9 is a front view of FIG. 7, wherein a rear view, a left-hand side view, and a right-hand side view are mirror images of each other;

FIG. 10 is a bottom view of FIG. 7;

FIG. 11 is an environmental view of two plate covers, each one being a plate cover of FIG. 7;

FIG. 12 is an environmental view of two plate covers in a cross-sectional view taken along the B-B line of FIG. 7, each one being a plate cover of FIG. 7;

FIG. 13 is a perspective view of a third embodiment of a plate cover;

FIG. 14 is a top view of FIG. 13;

FIG. 15 is a left-hand side view of FIG. 13, wherein a right-hand side view is a mirror image of the left-hand side view;

FIG. 16 is a bottom view of FIG. 13;

FIG. 17 is an environmental view of two plate covers, each one being a plate cover of FIG. 13;

(Continued)

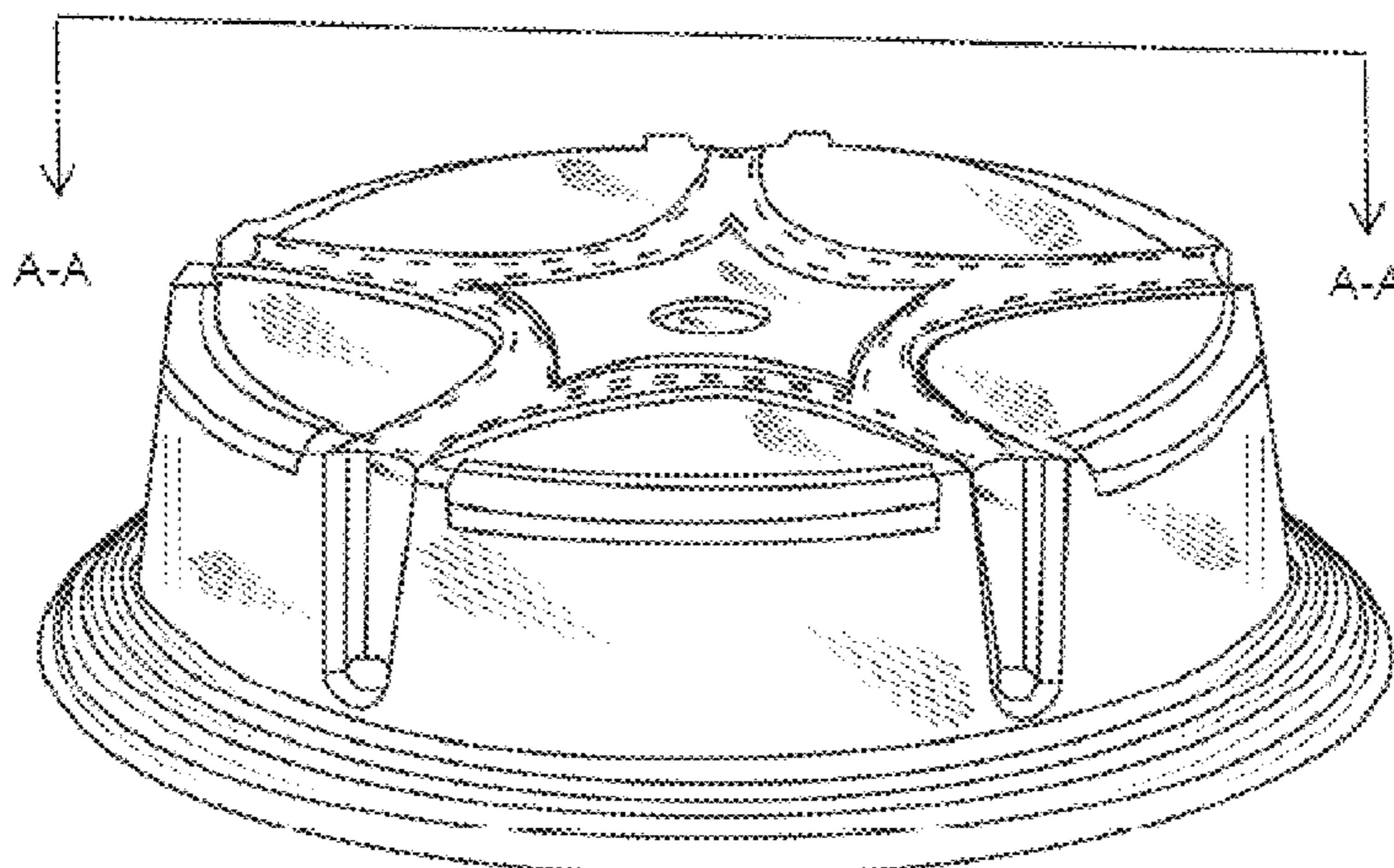


FIG. 18 is an environmental view of two plate covers in a cross-sectional view taken along the C-C line of FIG. 13, each one being a plate cover of FIG. 13;
 FIG. 19 is a perspective view of a fourth embodiment of a plate cover;
 FIG. 20 is a top view of FIG. 19;
 FIG. 21 is a front view of FIG. 19, wherein a rear view, a left-hand side view, and a right-hand side view are mirror images of each other;
 FIG. 22 is a bottom view of FIG. 19;
 FIG. 23 is an environmental view of two plate covers, each one being a plate cover of FIG. 19; and,
 FIG. 24 is an environmental view of two plate covers in a cross-sectional view taken along the D-D line of FIG. 19, each one being a plate cover of FIG. 19.
 The broken lines in the Figures do not form part of the claimed design.

1 Claim, 24 Drawing Sheets

(58) **Field of Classification Search**

CPC A47G 19/26; A47J 36/027; A47J 36/06;
 A47J 37/10; A47J 37/101; B65D
 21/0209; B65D 43/00; B65D 43/02;
 B65D 43/0206; B65D 43/022; B65D
 43/161; B65D 43/162; B65D 45/00;
 B65D 45/16; B65D 45/18; B65D 51/16;
 B65D 51/1683; B65D 51/1688; B65D
 51/1694; B65D 2251/00; B65F 1/1615

See application file for complete search history.

(56)

References Cited

U.S. PATENT DOCUMENTS

3,610,458 A	10/1971	Nissley	
3,794,090 A	2/1974	Commisso	
3,815,736 A	6/1974	Sedlak	
RE28,720 E *	2/1976	Sedlak	A47G 19/26 206/501
4,741,452 A	5/1988	Holzkopf	
D366,616 S *	1/1996	Knickerbocker	D9/445
5,604,130 A	2/1997	Warner et al.	
5,763,831 A	6/1998	Shotey et al.	
D433,334 S *	11/2000	Hayes	D9/452
D468,582 S *	1/2003	Seager	D7/392.1
D548,005 S *	8/2007	Curtin	D7/392
D562,626 S *	2/2008	Freeman	D7/387
D588,866 S *	3/2009	Ho	D7/391
D642,011 S *	7/2011	Seager	D7/391
8,186,533 B1	5/2012	Tseng	
D668,102 S *	10/2012	Peters	D7/392.1
D682,610 S *	5/2013	Carder	D7/392.1
D758,122 S *	6/2016	Simpson	B65D 43/0212 D7/325

OTHER PUBLICATIONS

PlateTopper® see <https://www.youtube.com/watch?v=cqvyTmOHS3w>.

PlateTopper® see https://www.amazon.com/PlateTopper-Red/dp/B006ZPTRPS/ref=cm_cr_arp_d_product_top?ie=UTF8.

* cited by examiner

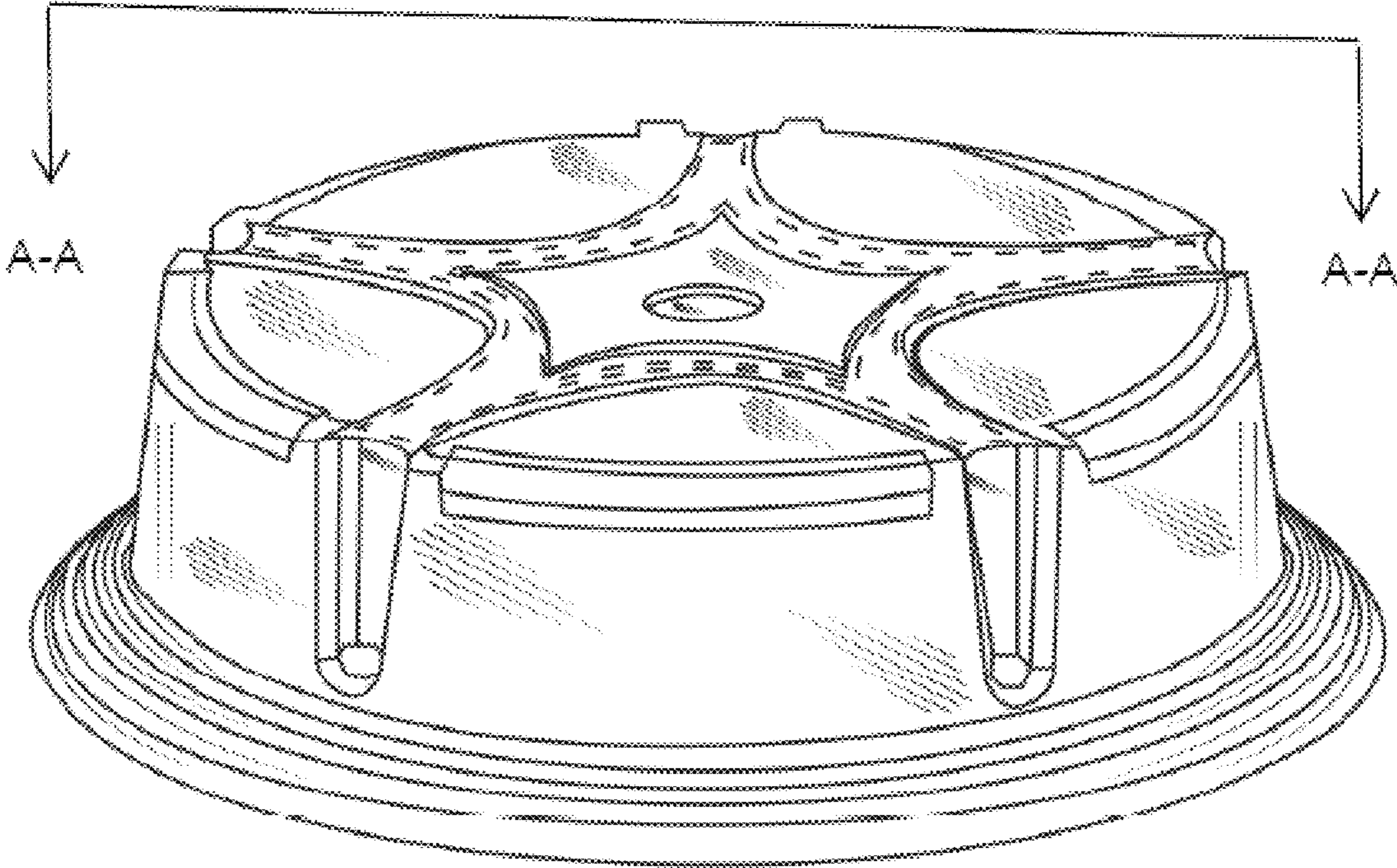


FIG. 1

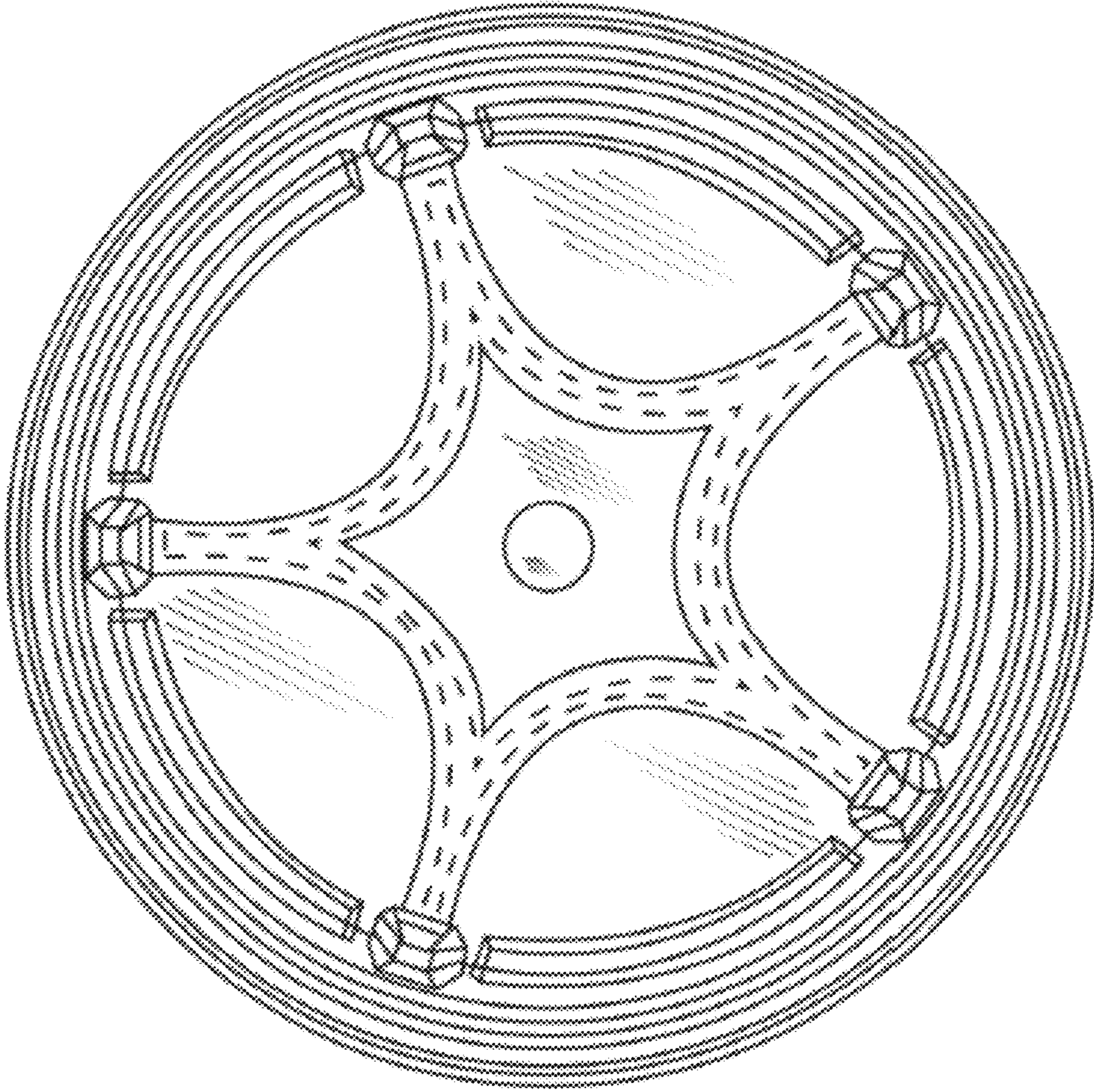


FIG. 2

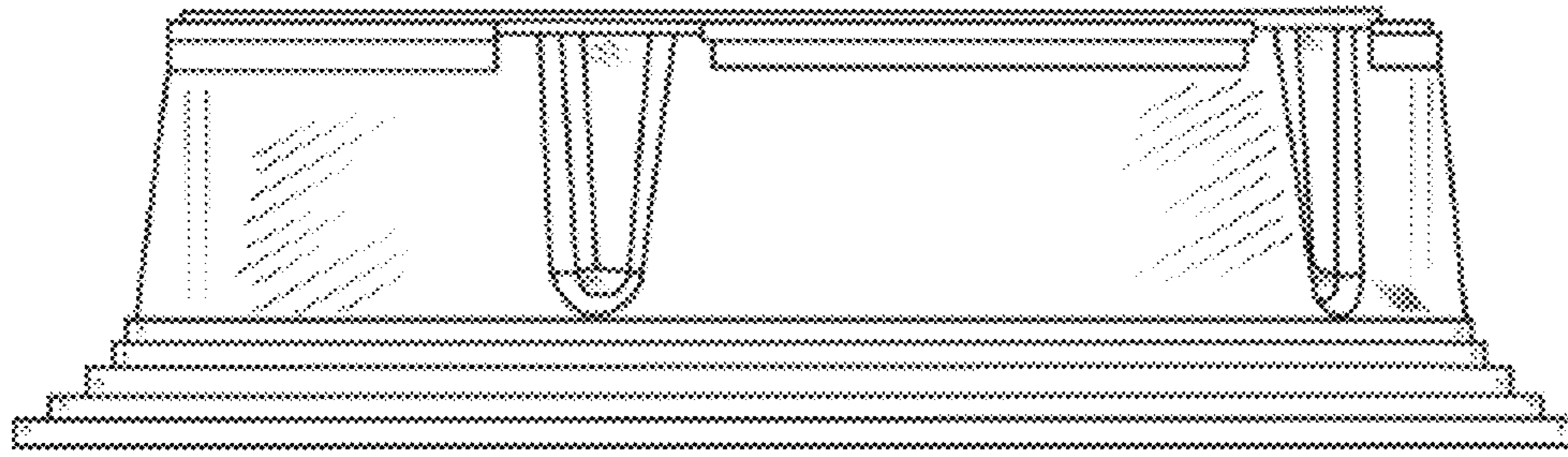


FIG. 3

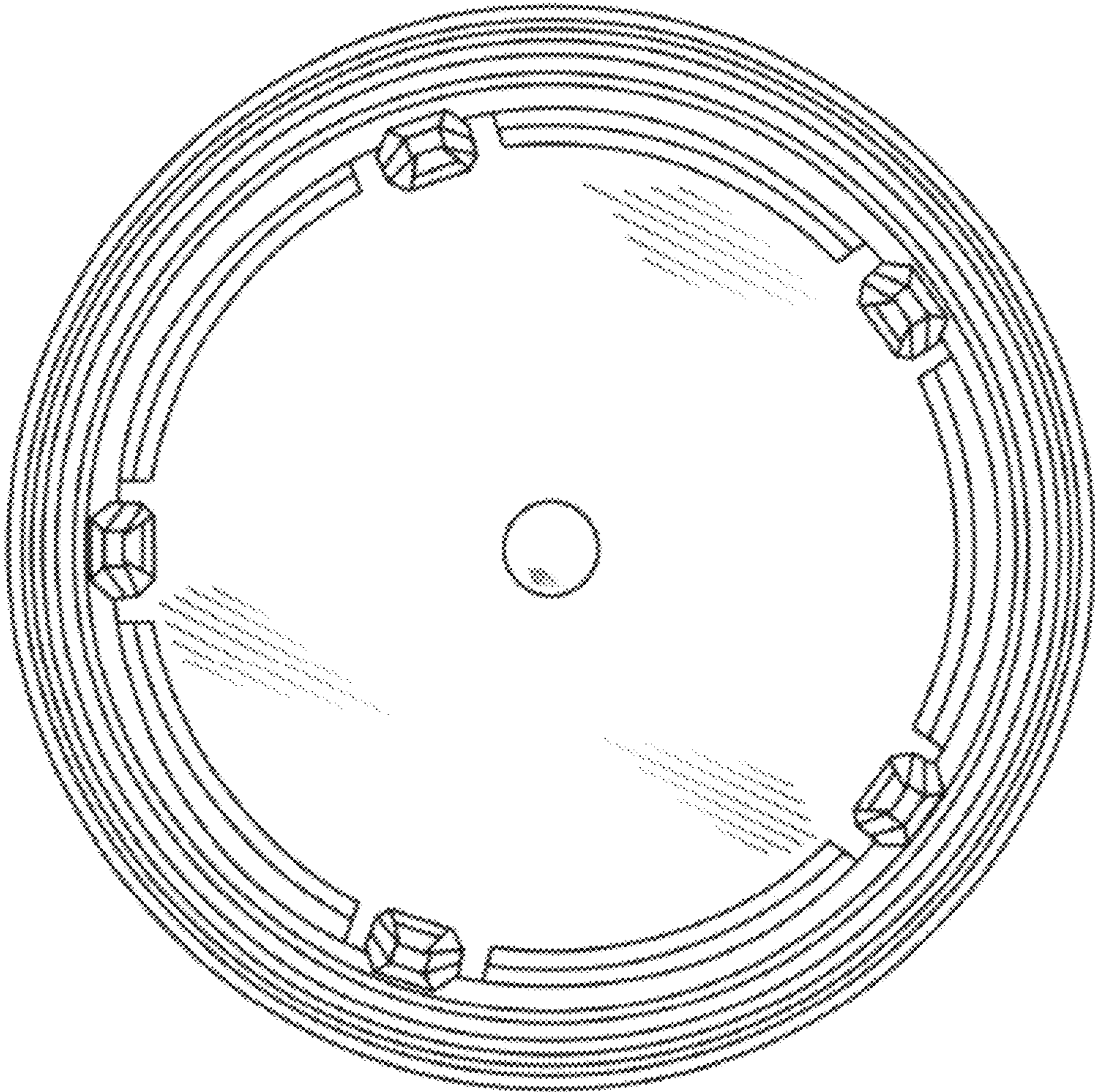


FIG. 4

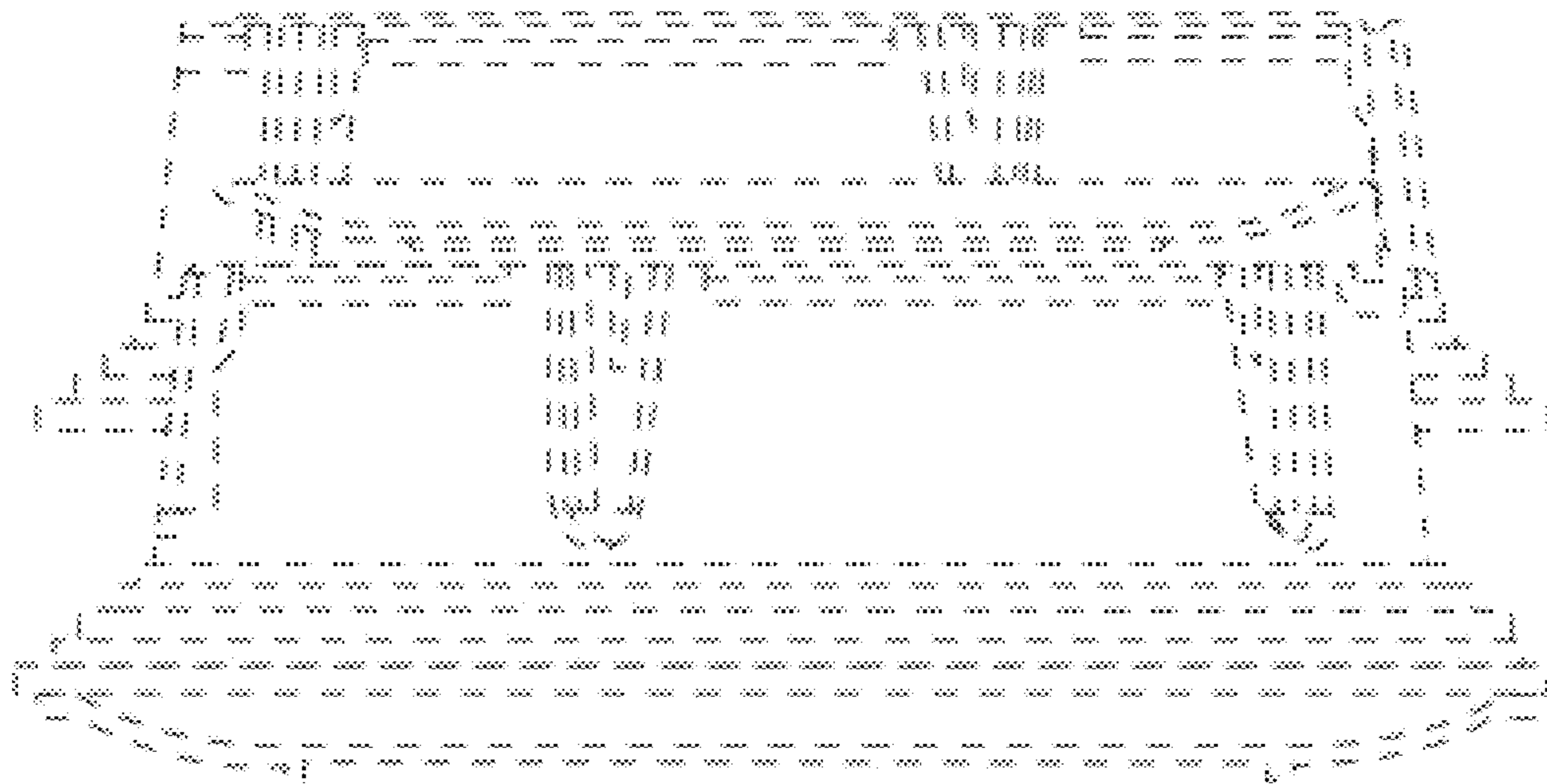


FIG. 5

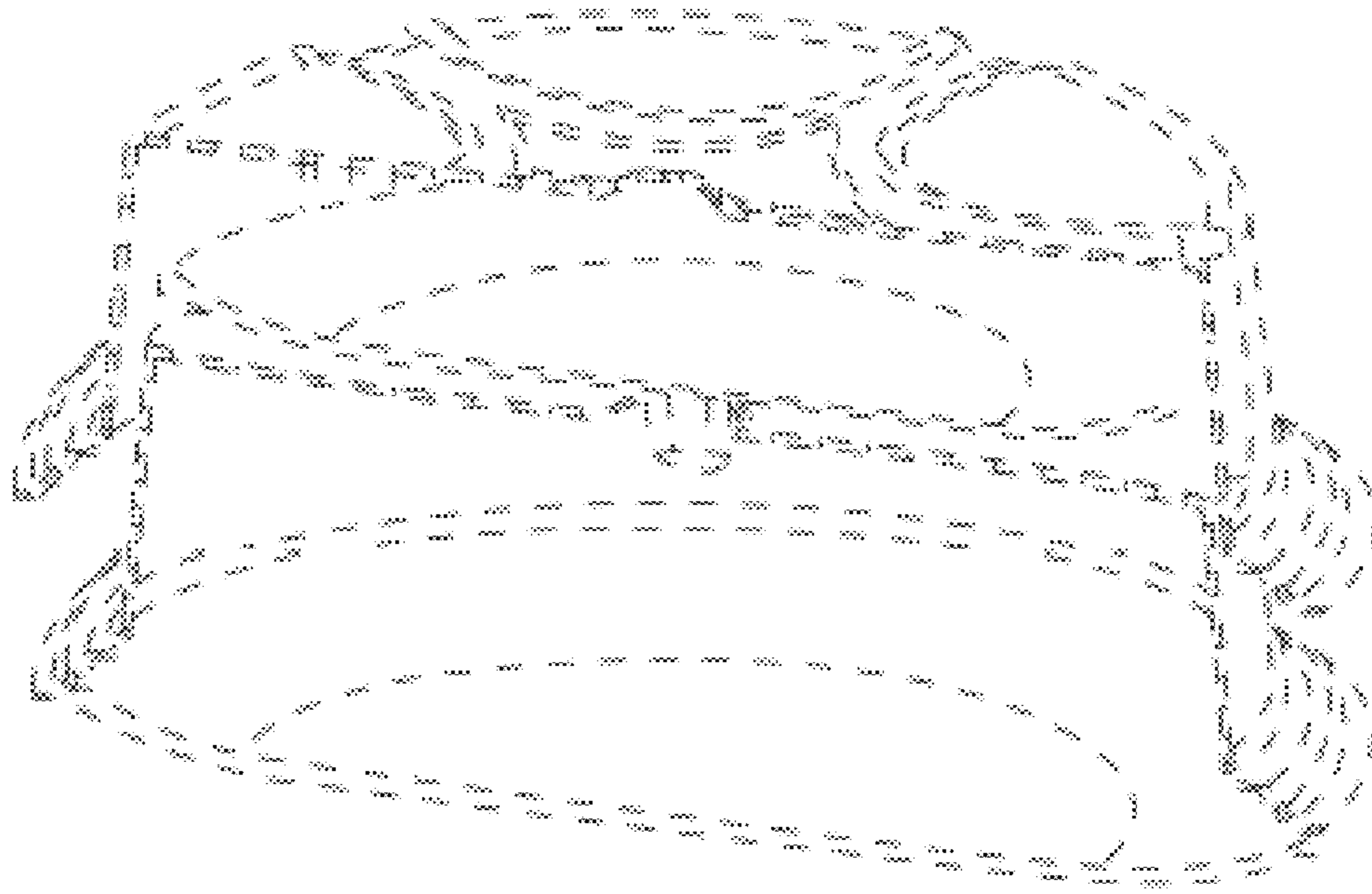


FIG. 6

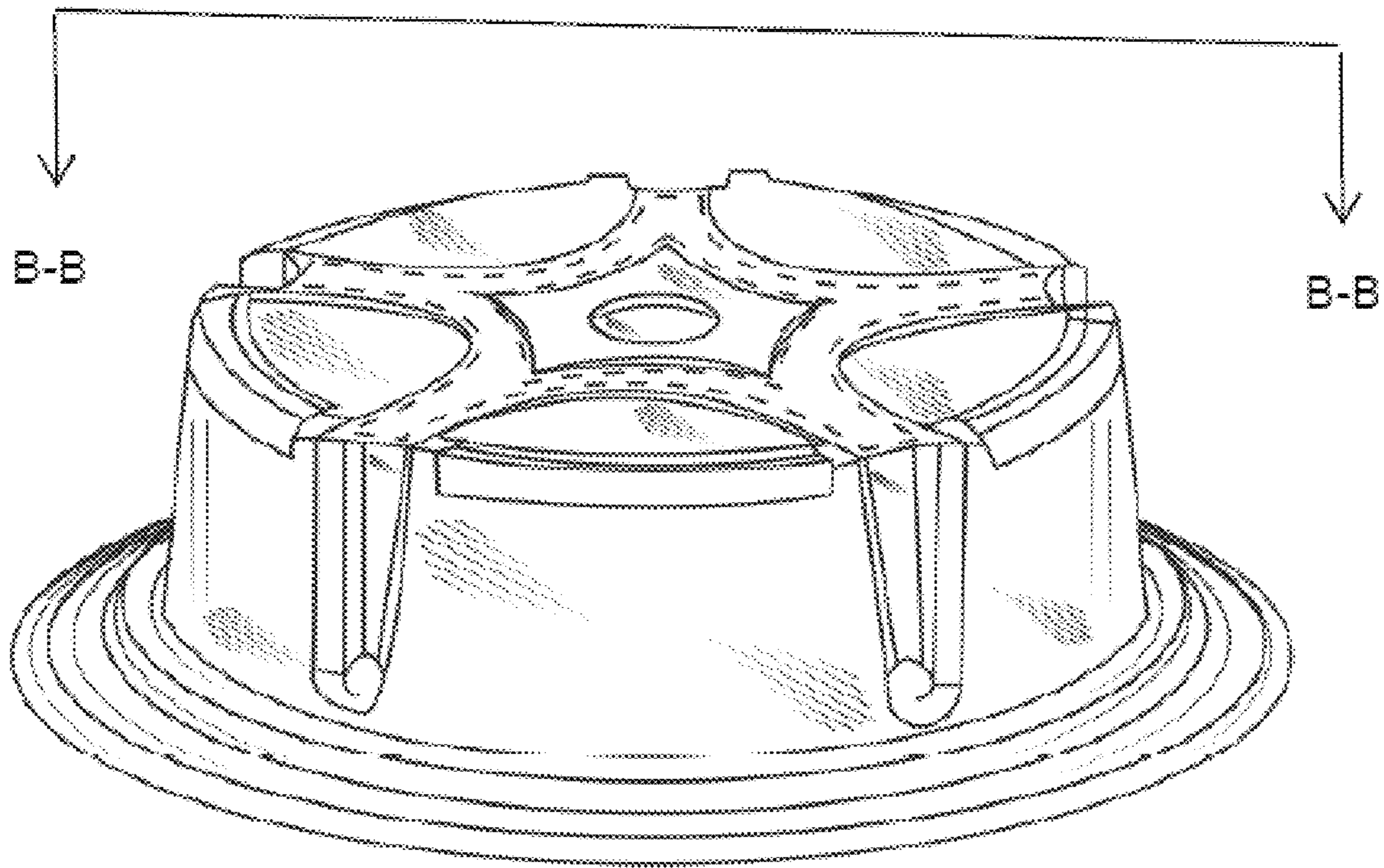


FIG. 7

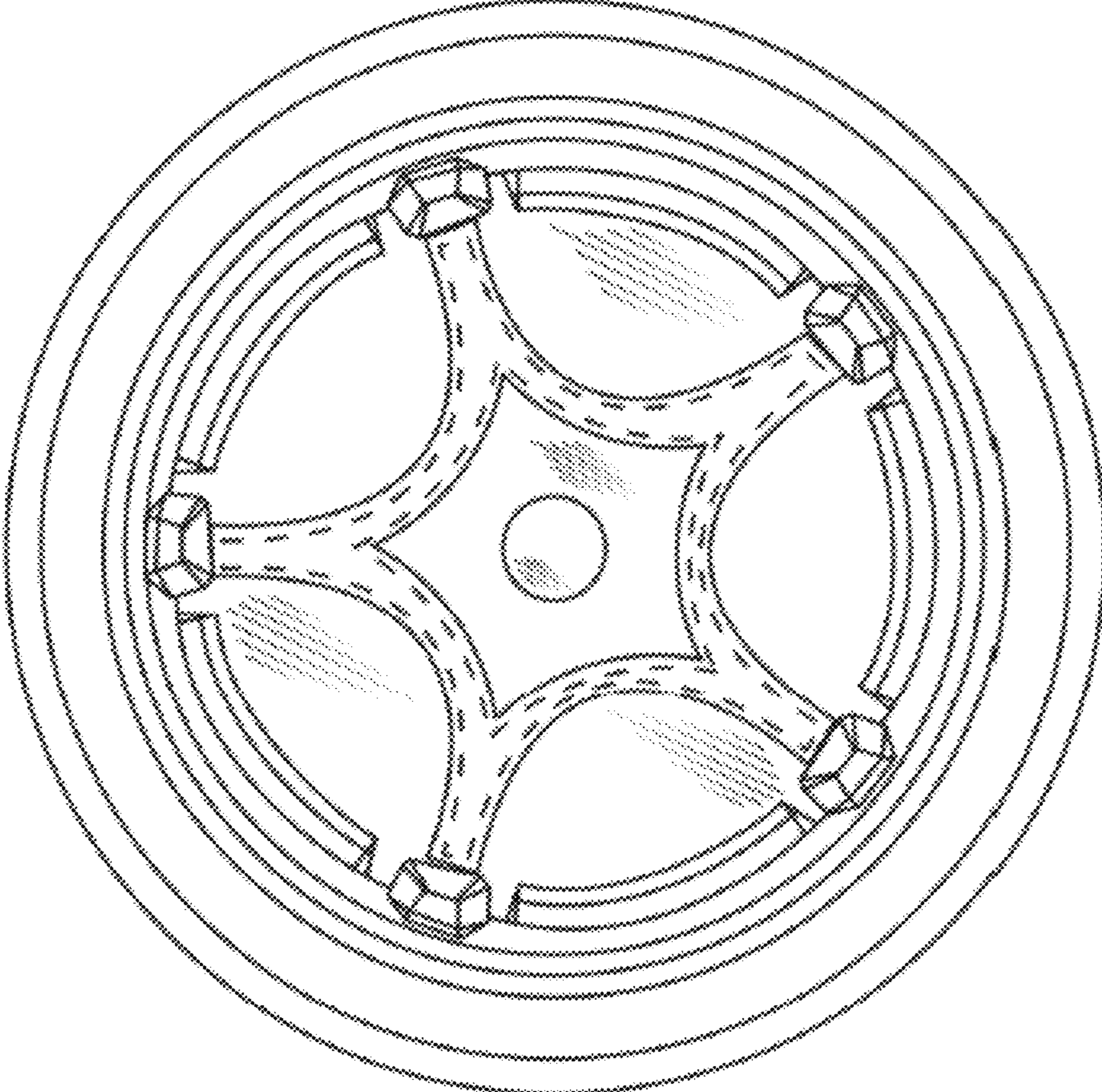


FIG. 8

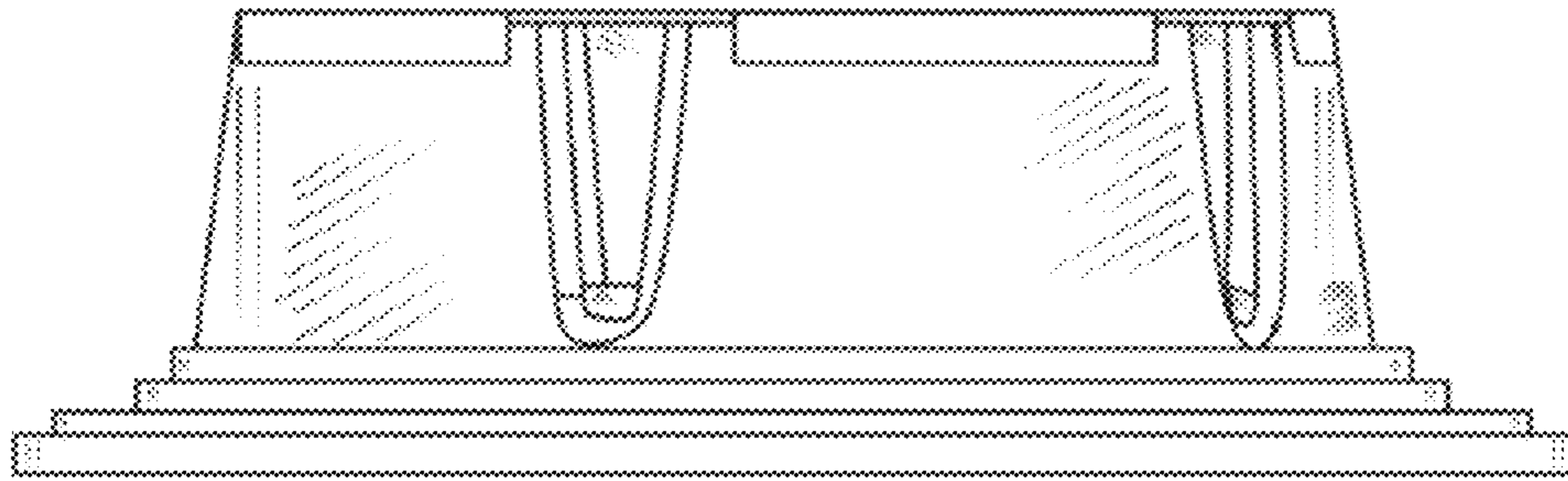


FIG. 9

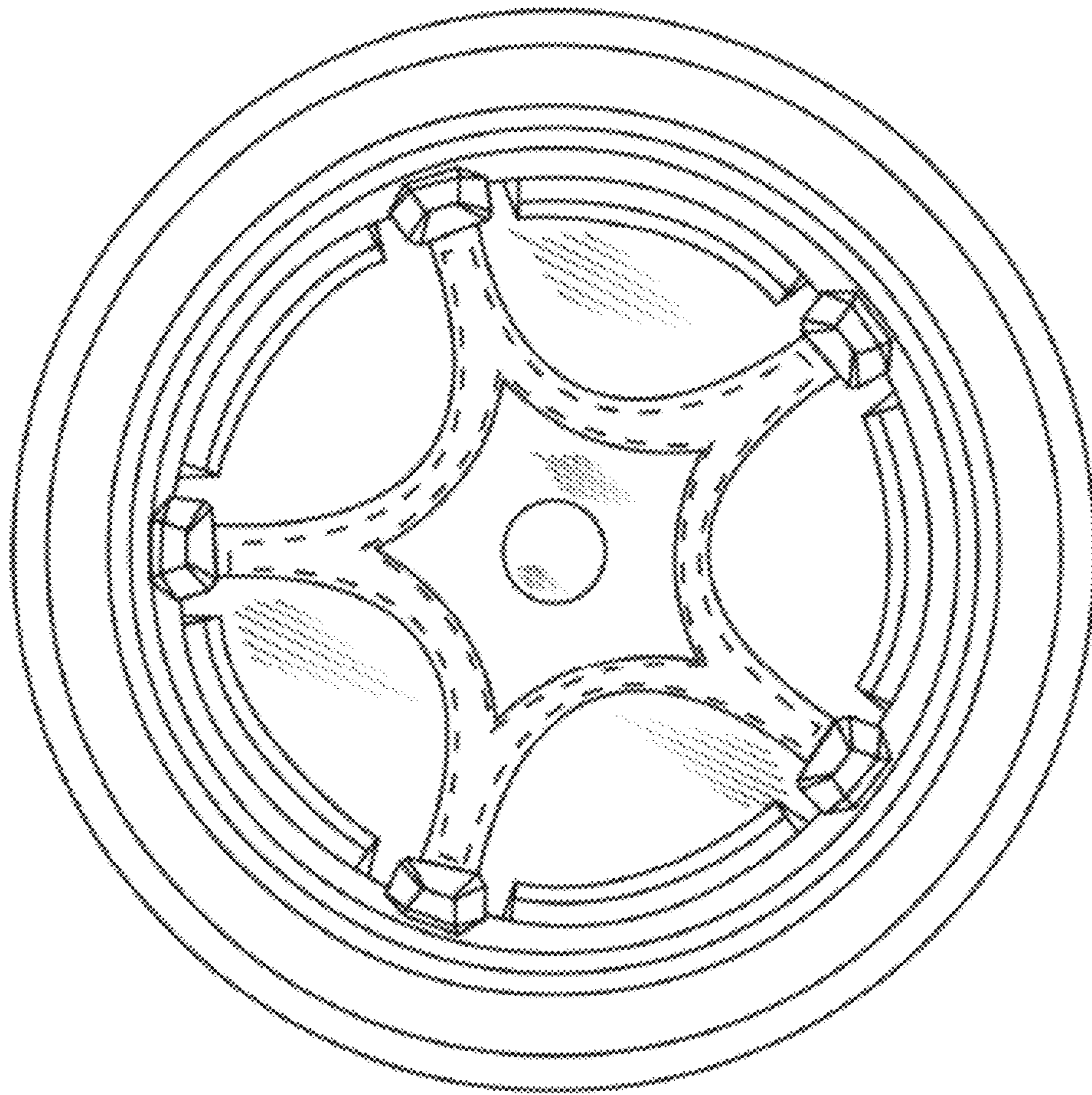


FIG. 10

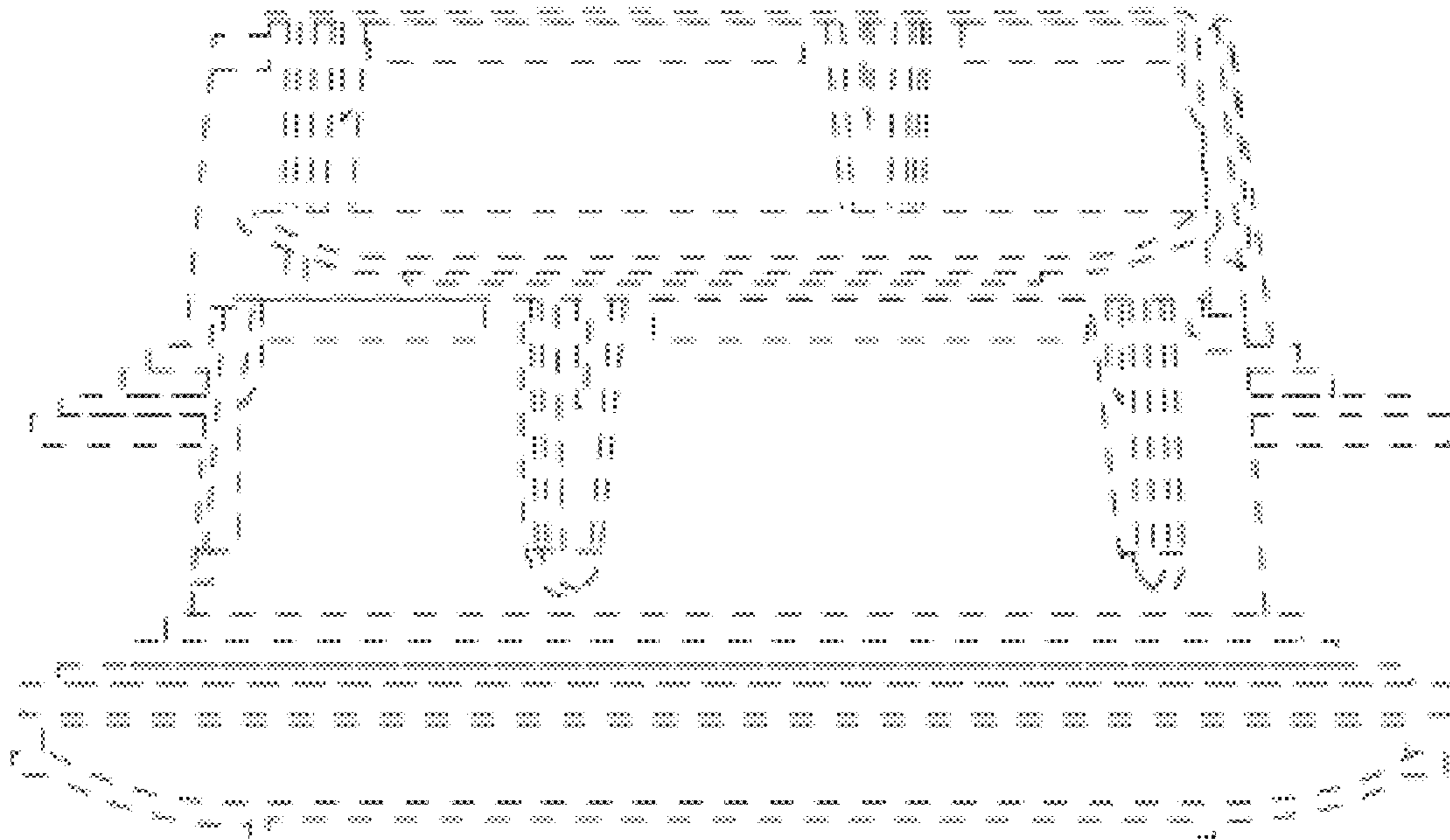


FIG. 11

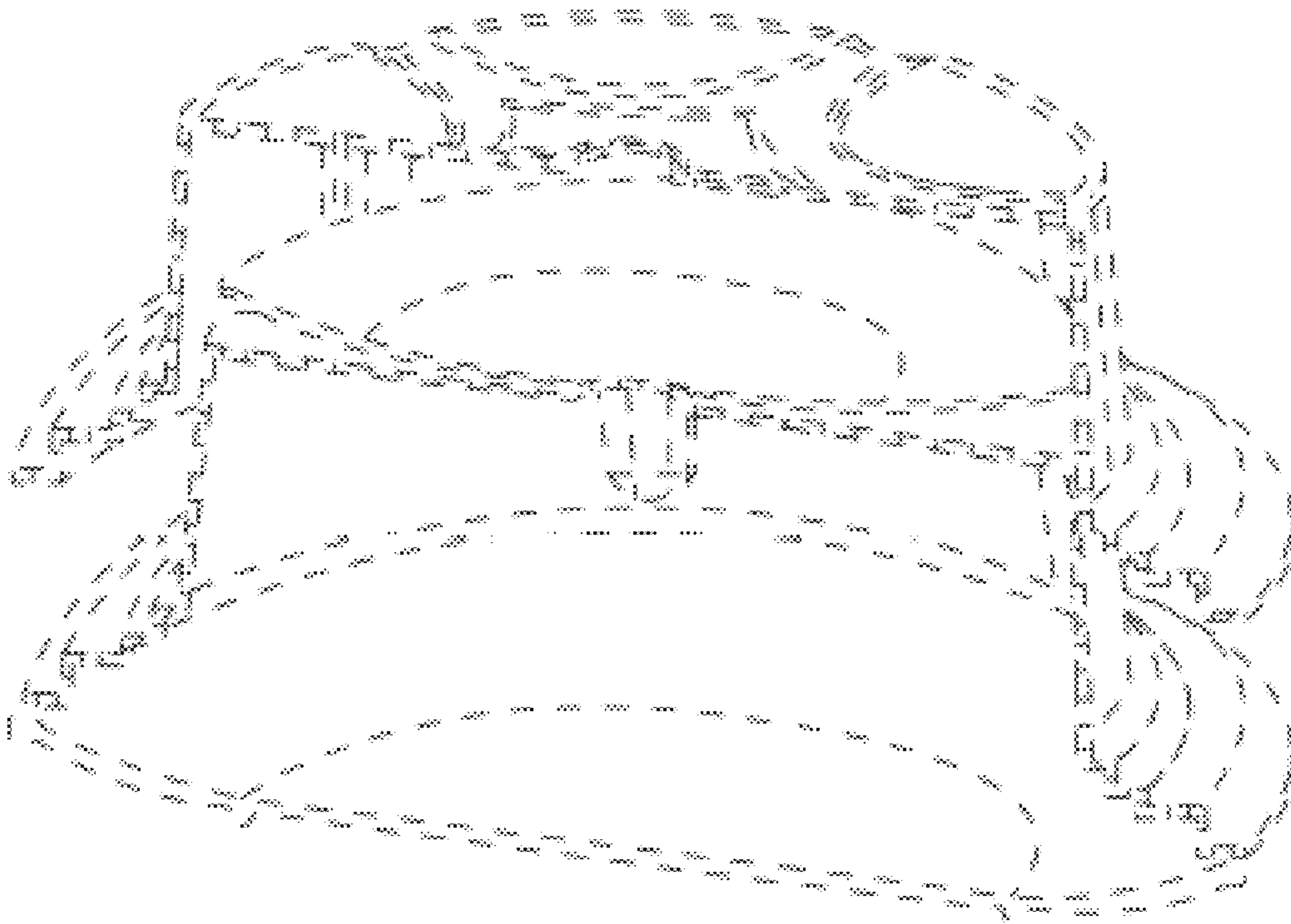


FIG. 12

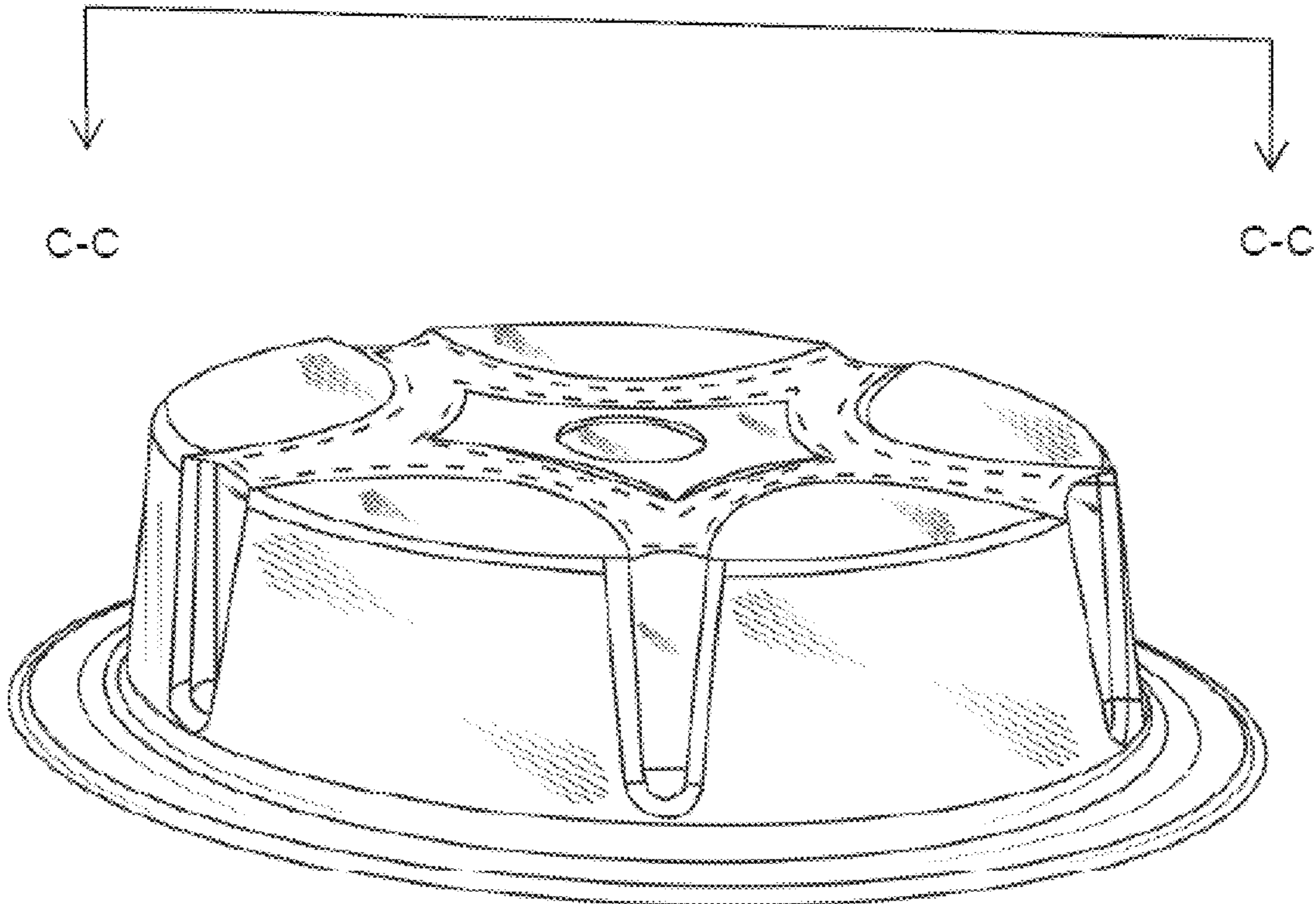


FIG. 13

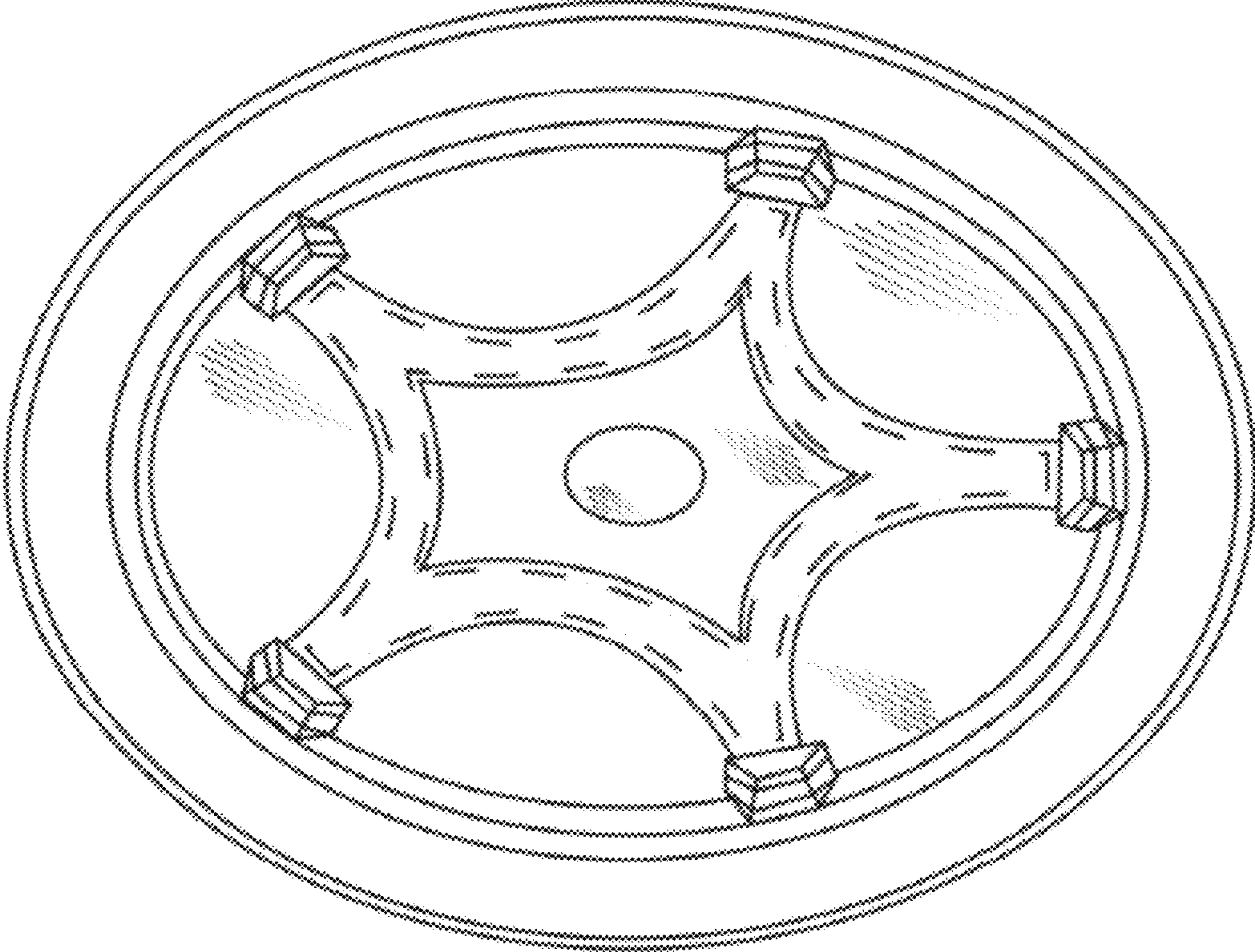


FIG. 14

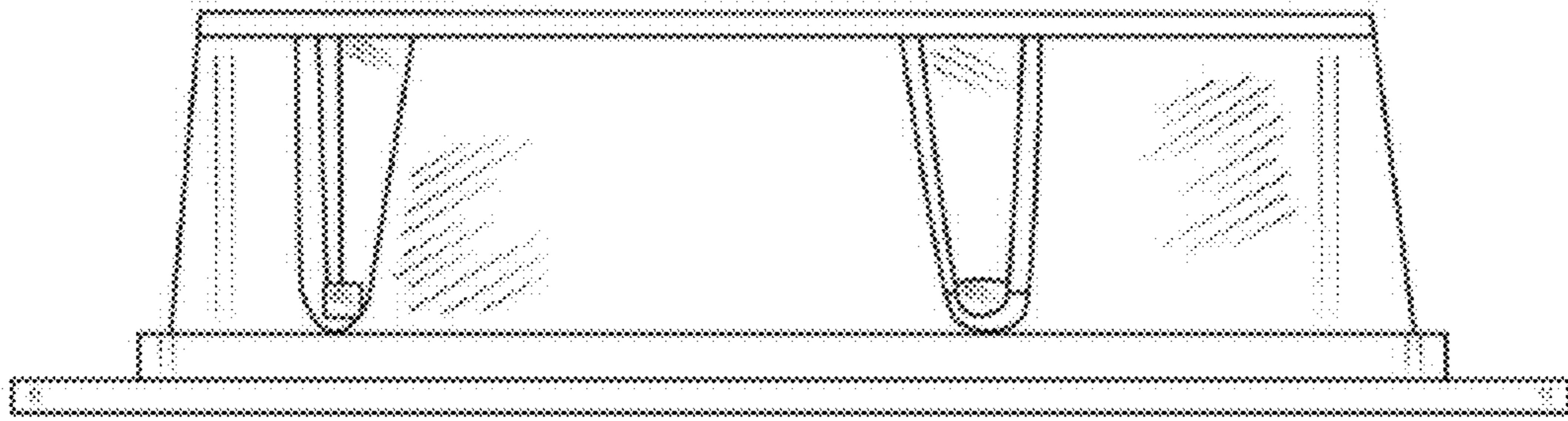


FIG. 15

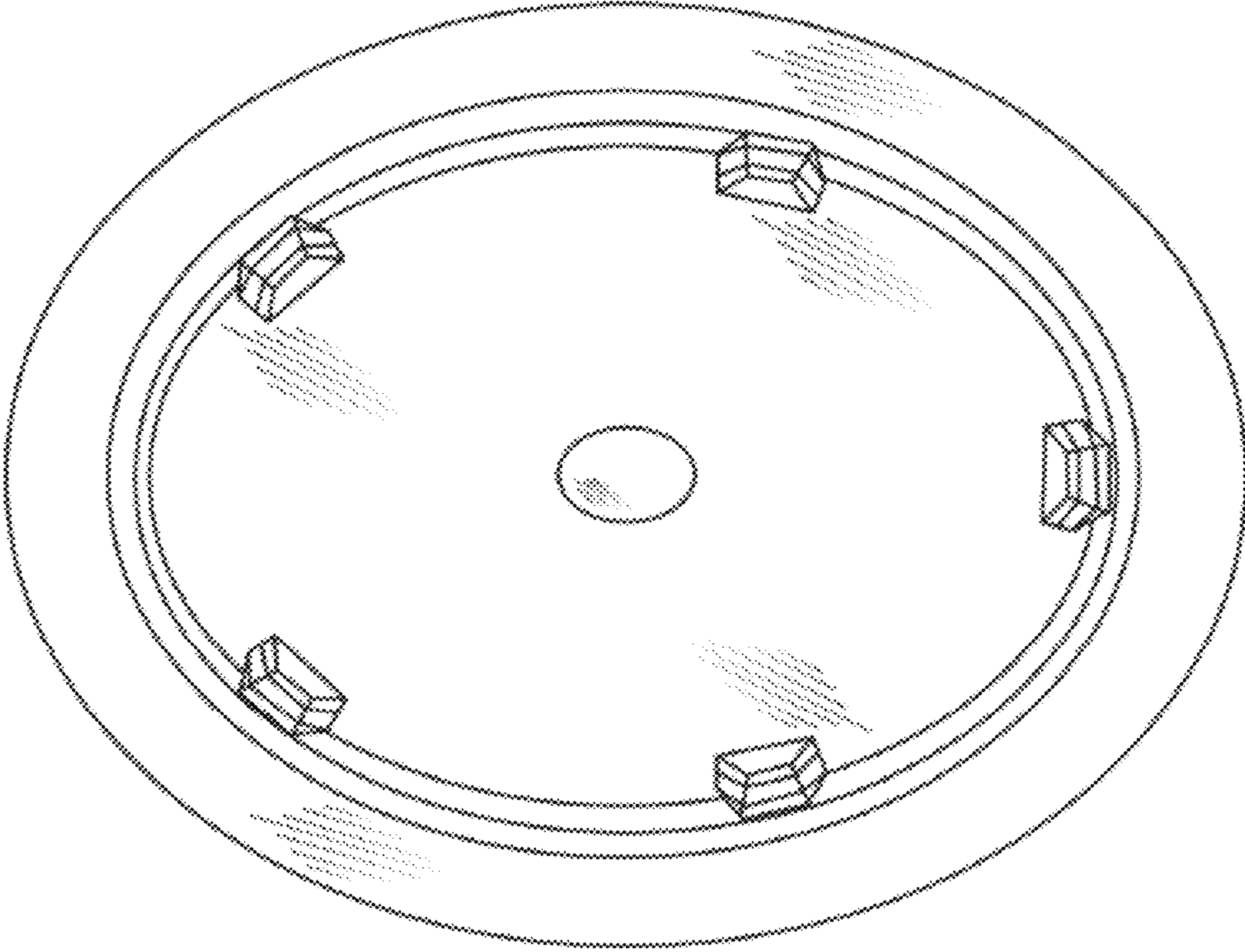


FIG. 16

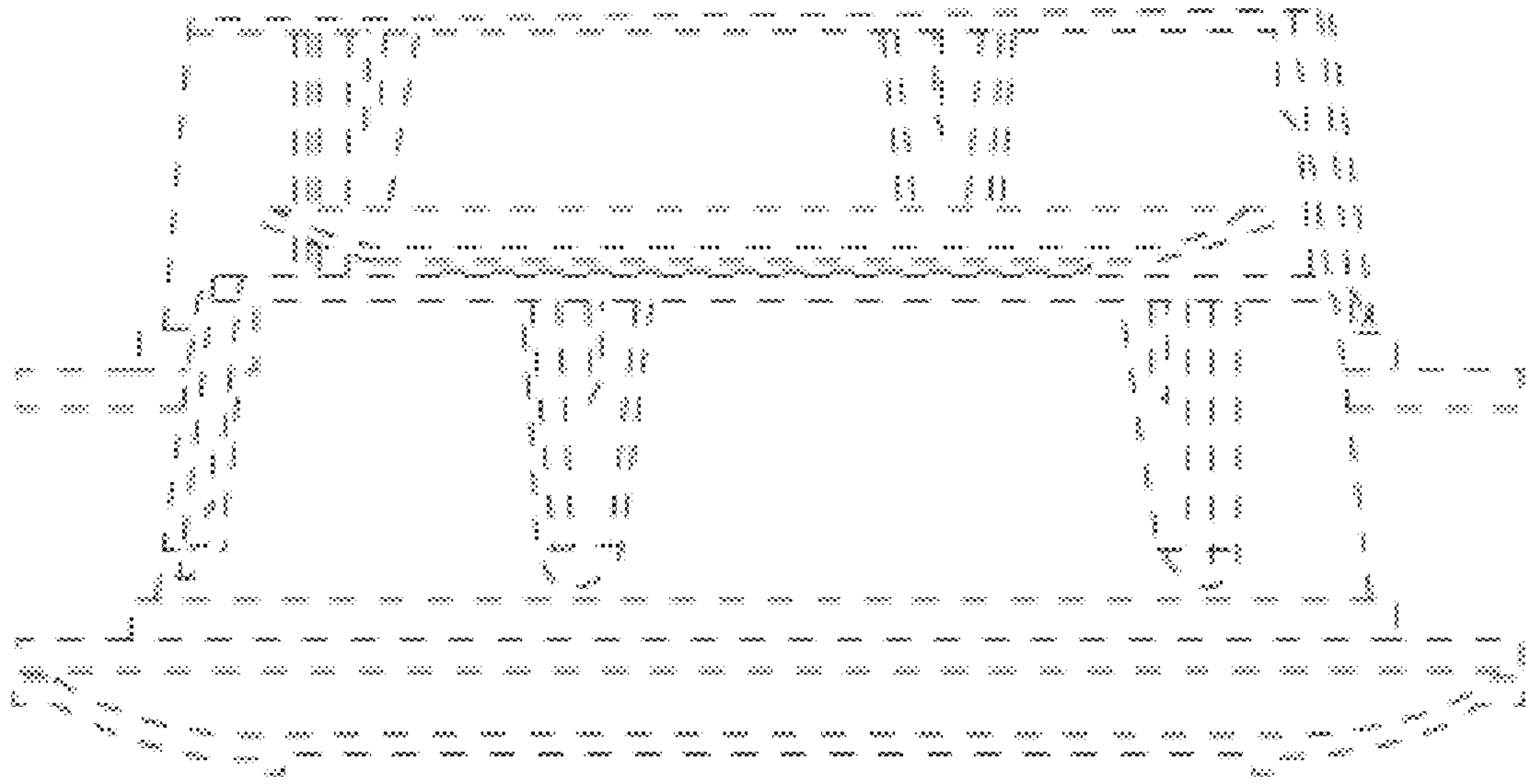


FIG. 17

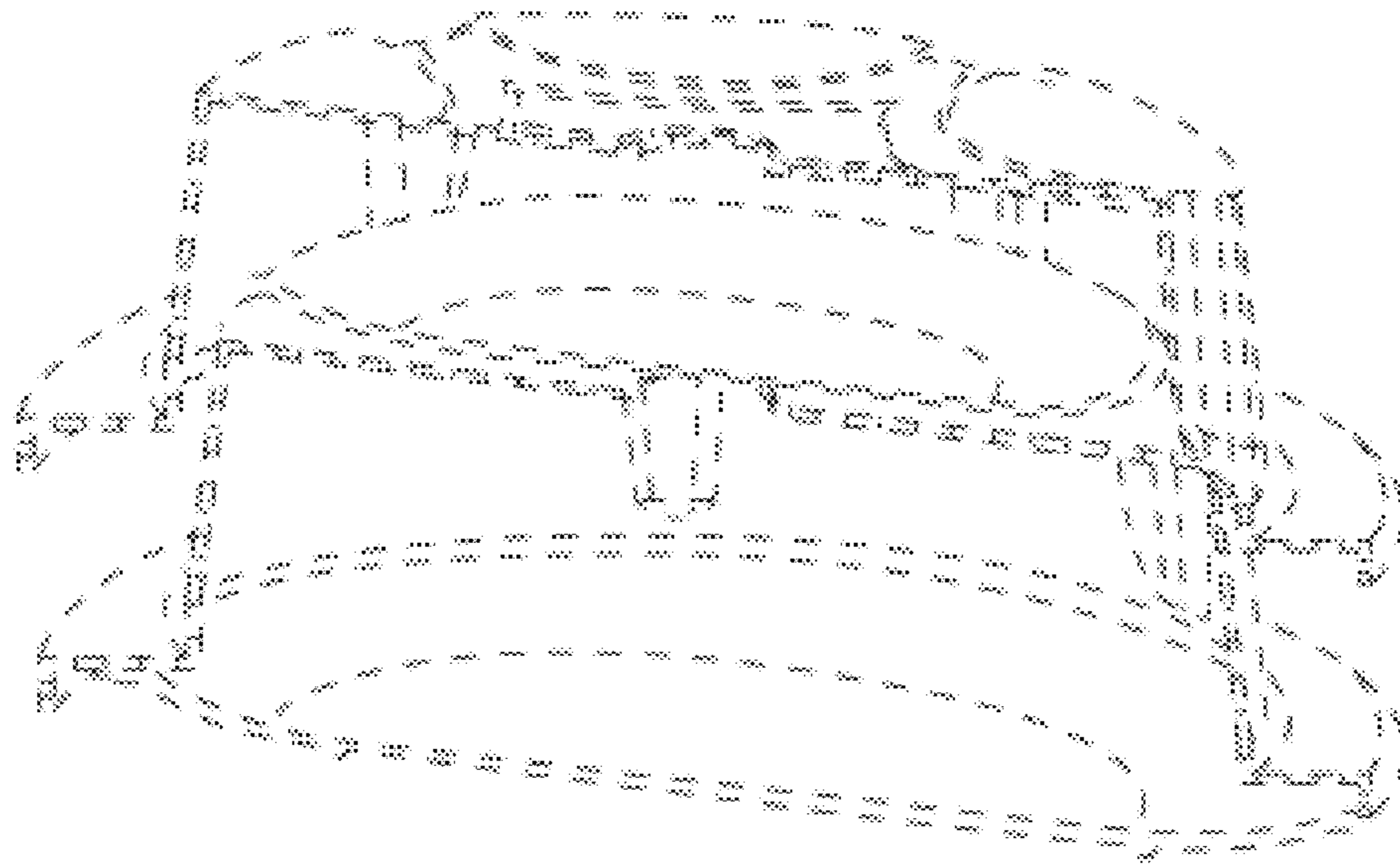


FIG. 18

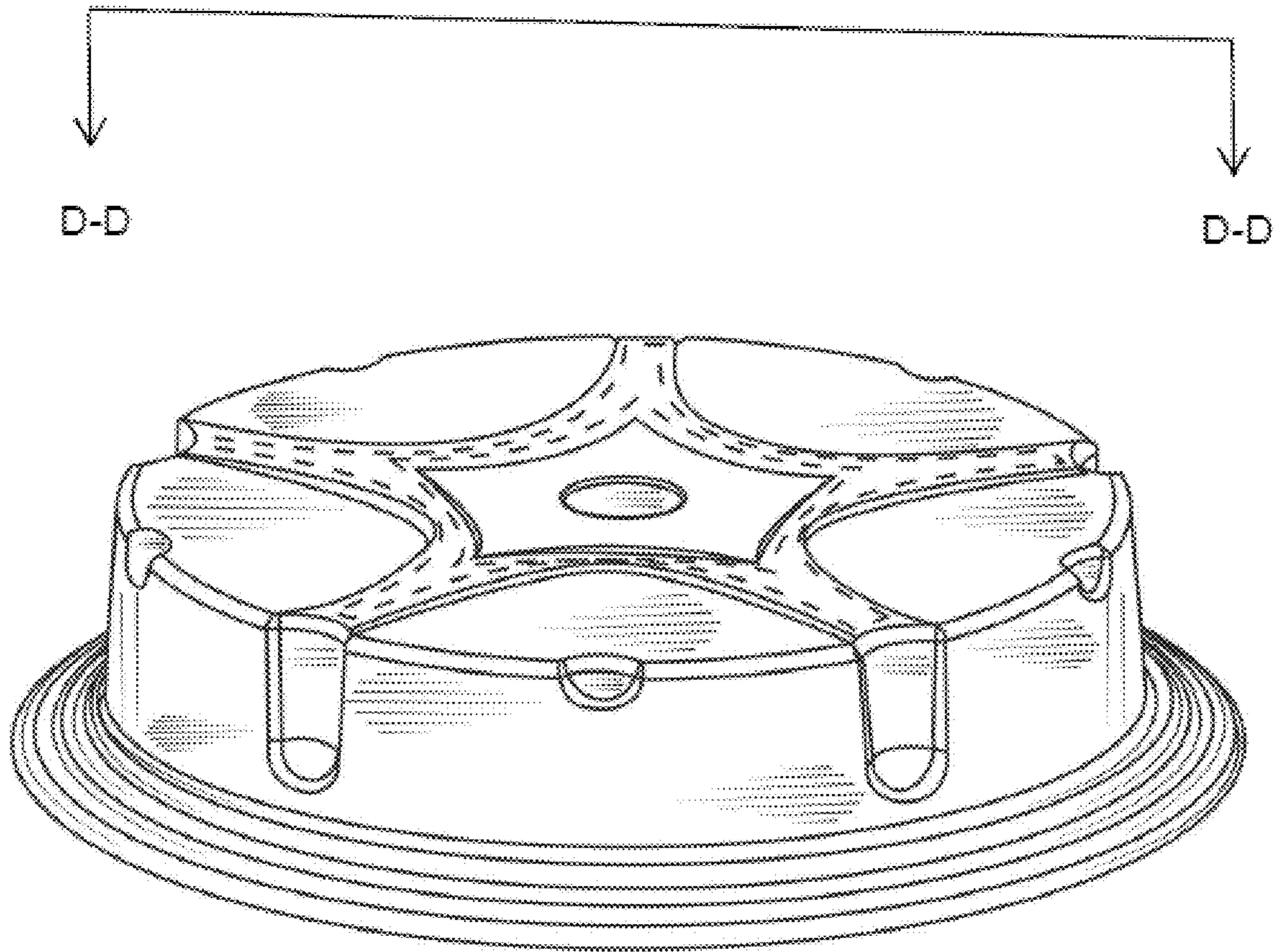


FIG. 19

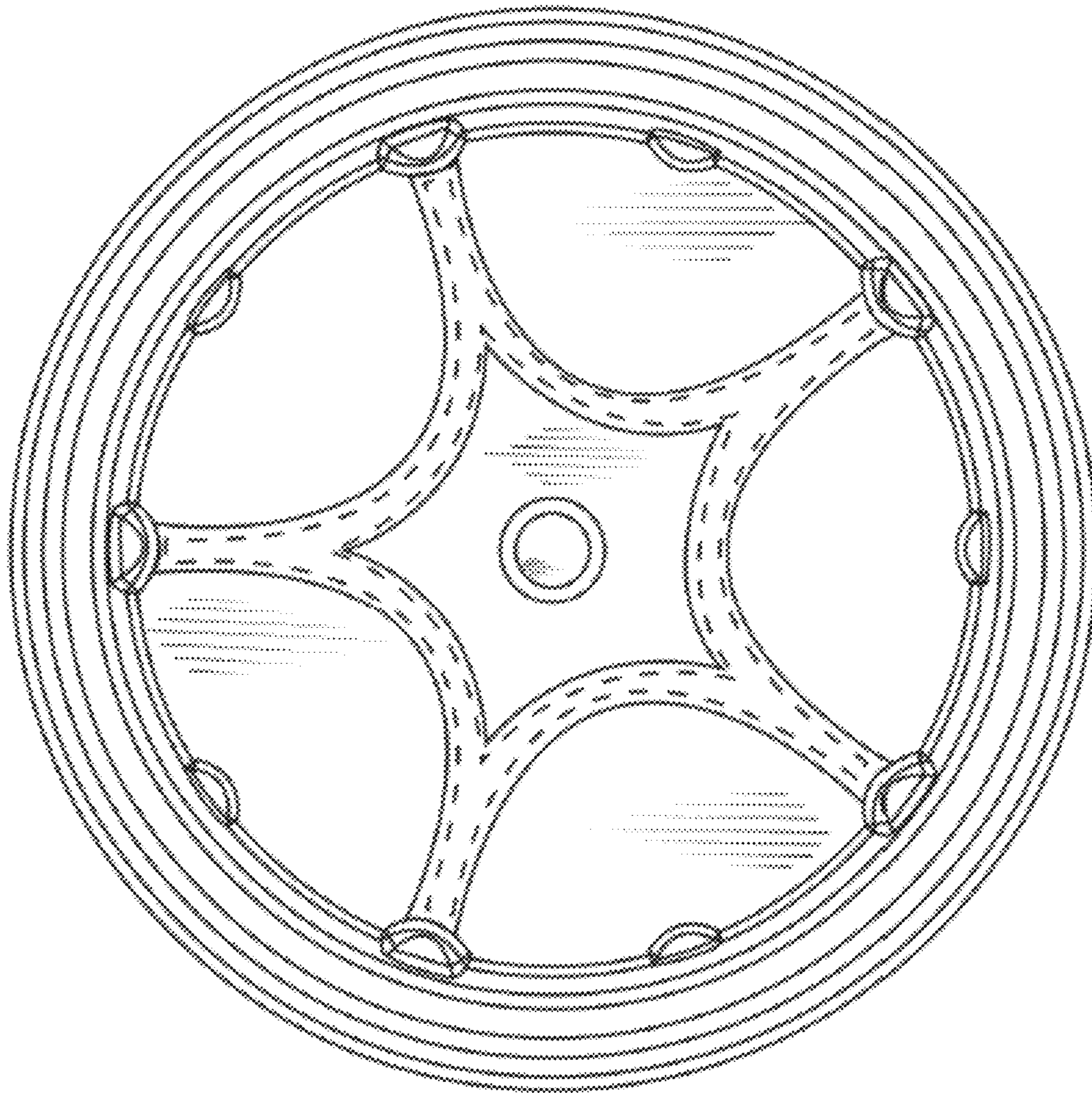


FIG. 20

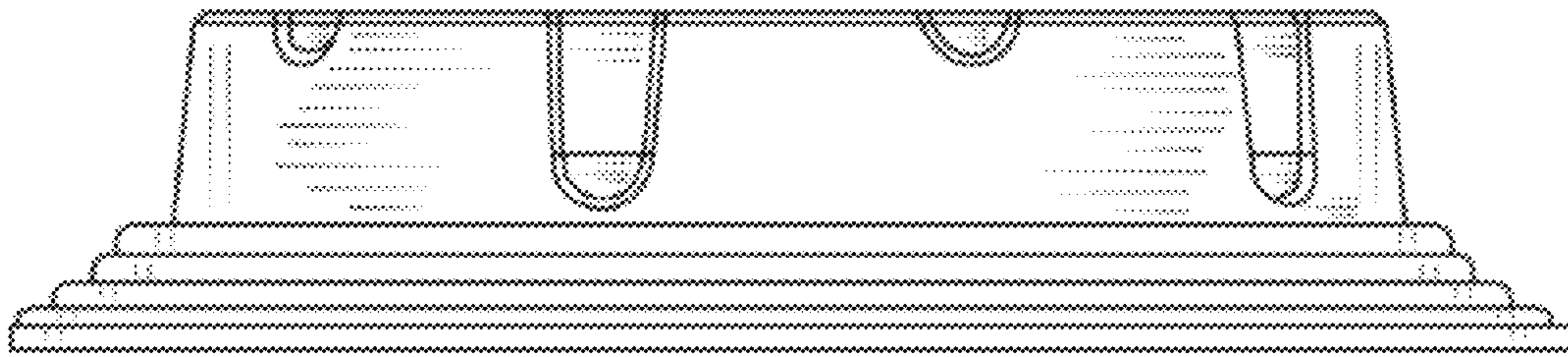


FIG. 21

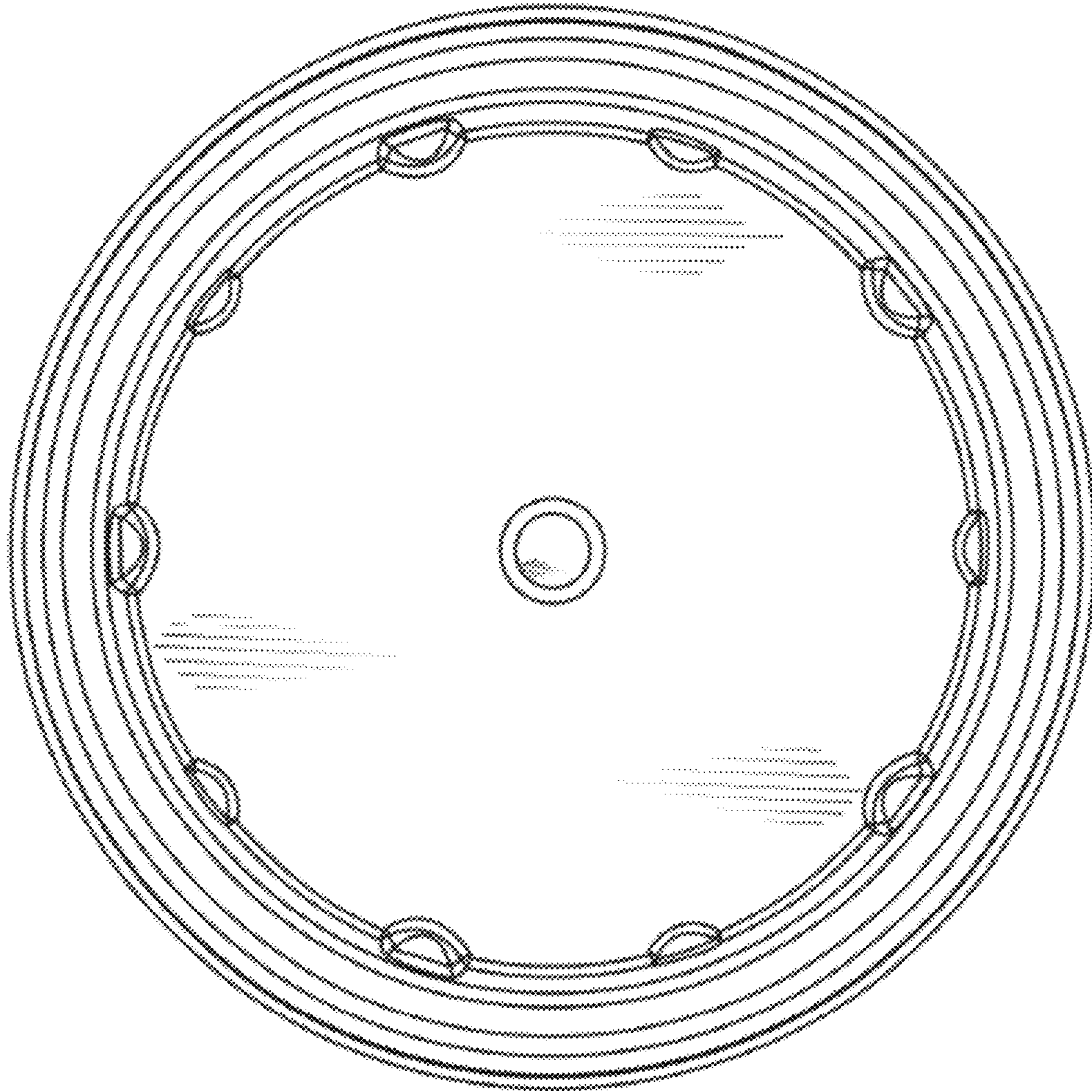


FIG. 22

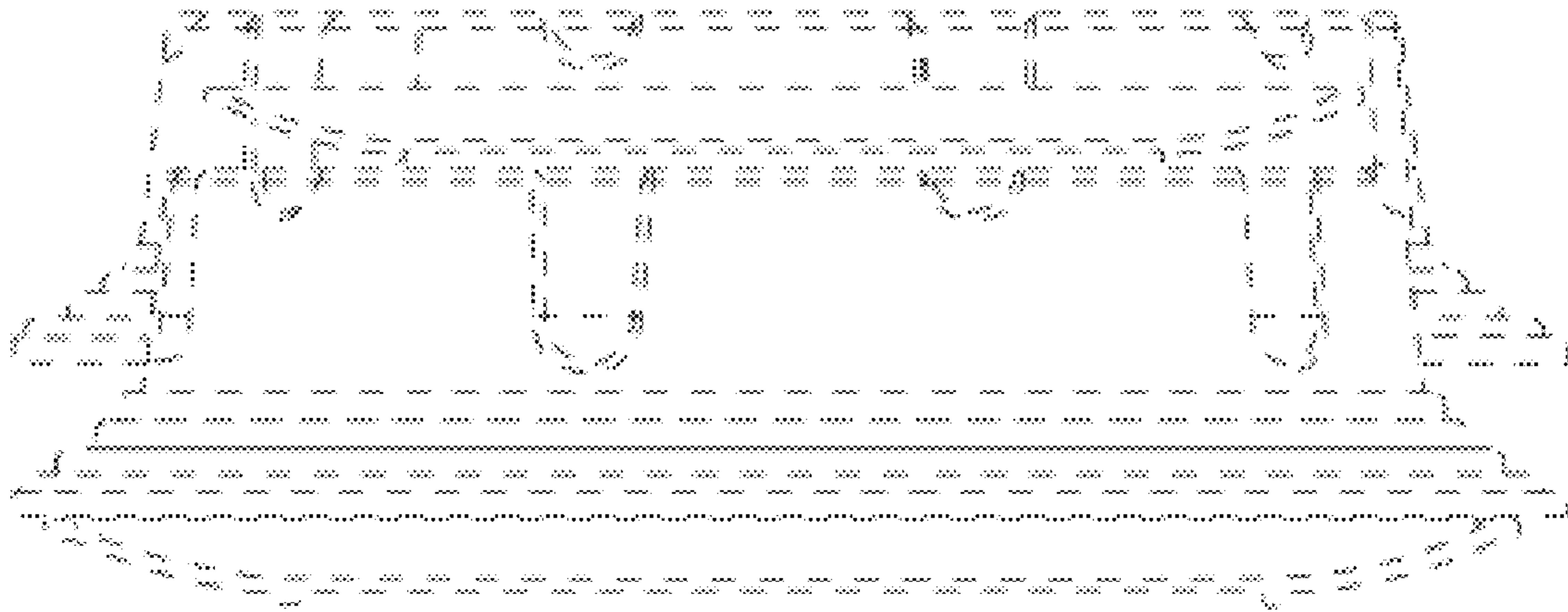


FIG. 23

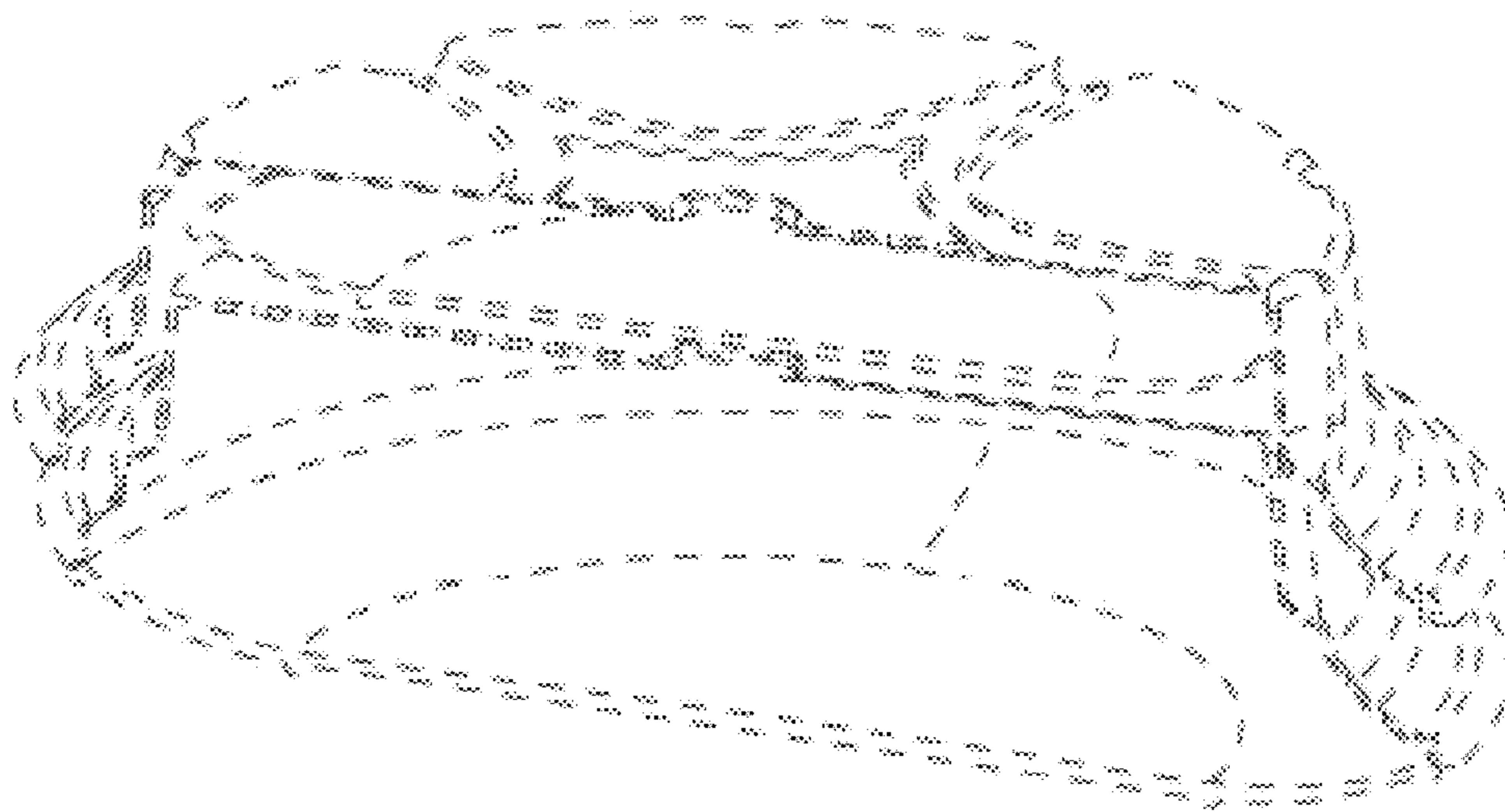


FIG. 24