



US00D877558S

(12) **United States Design Patent**  
**Dorfmueller**

(10) **Patent No.:** **US D877,558 S**

(45) **Date of Patent:** **\*\* Mar. 10, 2020**

(54) **CAP, RING AND FOIL FOR A SINGLE-SERVE COFFEE CONTAINER**

(71) Applicant: **David D. Dorfmueller**, Madison, AL (US)

(72) Inventor: **David D. Dorfmueller**, Madison, AL (US)

(\*\*) Term: **15 Years**

(21) Appl. No.: **29/640,789**

(22) Filed: **Mar. 16, 2018**

(51) **LOC (12) Cl.** ..... **07-01**

(52) **U.S. Cl.**  
USPC ..... **D7/391**; D7/392.1; D9/454; D9/452

(58) **Field of Classification Search**  
USPC ..... D7/391, 392.1, 392, 399, 397; D9/454, D9/452  
CPC ... A47J 3/0615; A47J 31/0689; A47C 15/505; F16J 15/022  
See application file for complete search history.

(56) **References Cited**

U.S. PATENT DOCUMENTS

4,732,291	A *	3/1988	McConnell	.....	A47L 15/505	220/488
4,874,009	A *	10/1989	Pickerrell	.....	F16J 15/022	137/454.6
7,318,371	B2 *	1/2008	Chan	.....	A23B 4/052	99/281
7,341,754	B1 *	3/2008	Loh	.....	B65D 21/0238	206/217

7,669,519	B2 *	3/2010	Pope	.....	A47J 31/4478	134/25.4
7,681,492	B2 *	3/2010	Suggi Liverani	..	B65D 85/8043	426/115
D814,930	S *	4/2018	Tremayne	.....	D9/435	
D820,679	S *	6/2018	Ali	.....	D9/454	
D848,207	S *	5/2019	Holding	.....	D7/391	
D855,390	S *	8/2019	Lullie	.....	D7/392.1	
2005/0287251	A1 *	12/2005	Lazaris	.....	B65D 85/8043	426/106
2009/0229470	A1 *	9/2009	Dorfmueller	.....	A47J 31/0689	99/295

\* cited by examiner

*Primary Examiner* — Marianne N Pandozzi  
(74) *Attorney, Agent, or Firm* — Dunlap Bennett & Ludwig PLLC; Brendan E. Squire

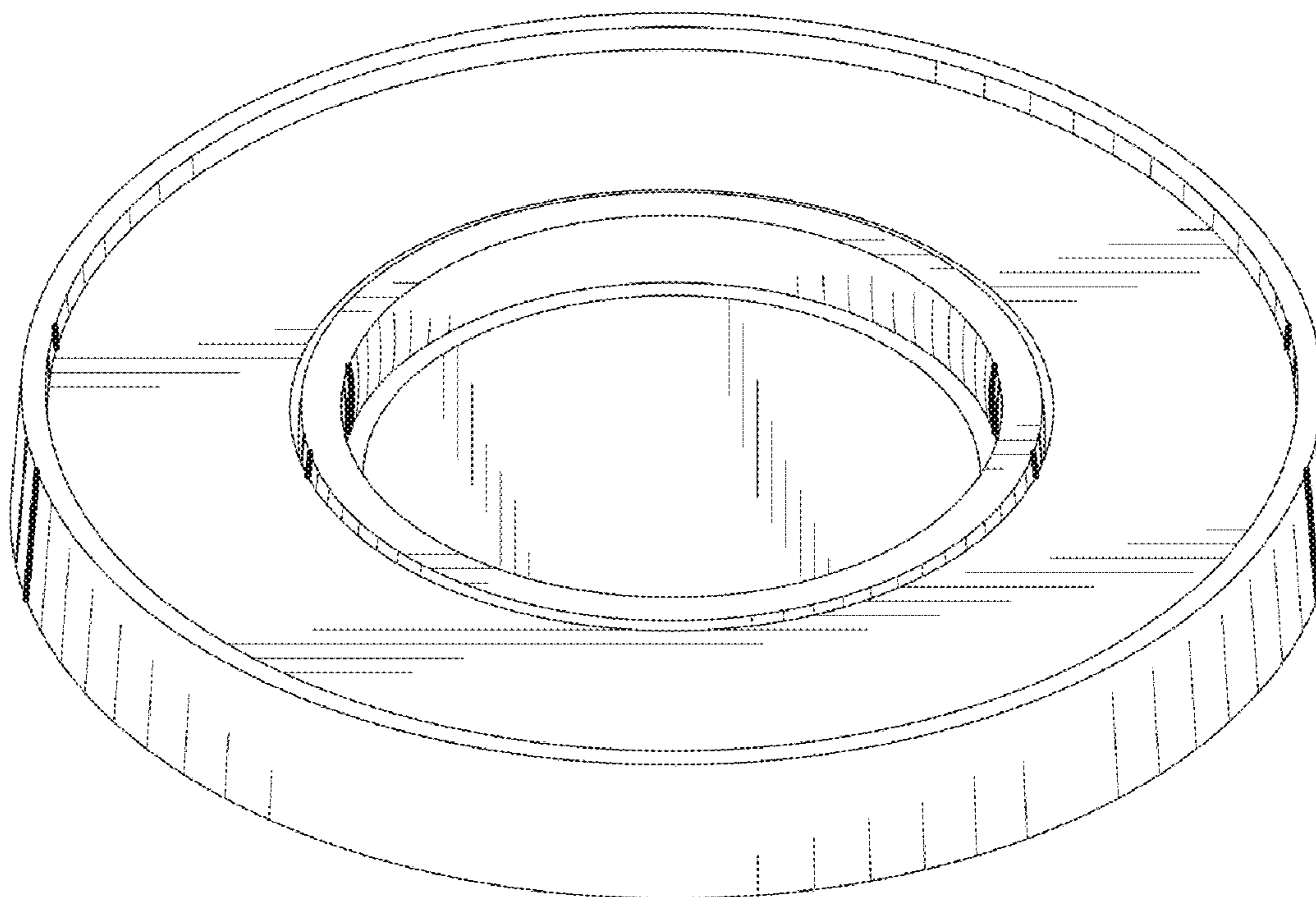
(57) **CLAIM**

The ornamental design for a cap, ring and foil for a single-serve coffee container, as shown and described.

**DESCRIPTION**

FIG. 1 is a top front perspective view of a cap, ring and foil for a single-serve coffee container showing my new design; FIG. 2 is a top plan view thereof; FIG. 3 is a bottom plan view thereof; FIG. 4 is a front elevation view thereof, with the rear, right, and left elevation views being an identical image thereof; FIG. 5 is an exploded view thereof; FIG. 6 is an exploded sectional view thereof taken along line 7-7 of FIG. 2 with the lid exploded above; FIG. 7 is a sectional view thereof taken along line 7-7 of FIG. 2; and, FIG. 8 is a detail section view thereof taken along line 8-8 of FIG. 7.

**1 Claim, 4 Drawing Sheets**



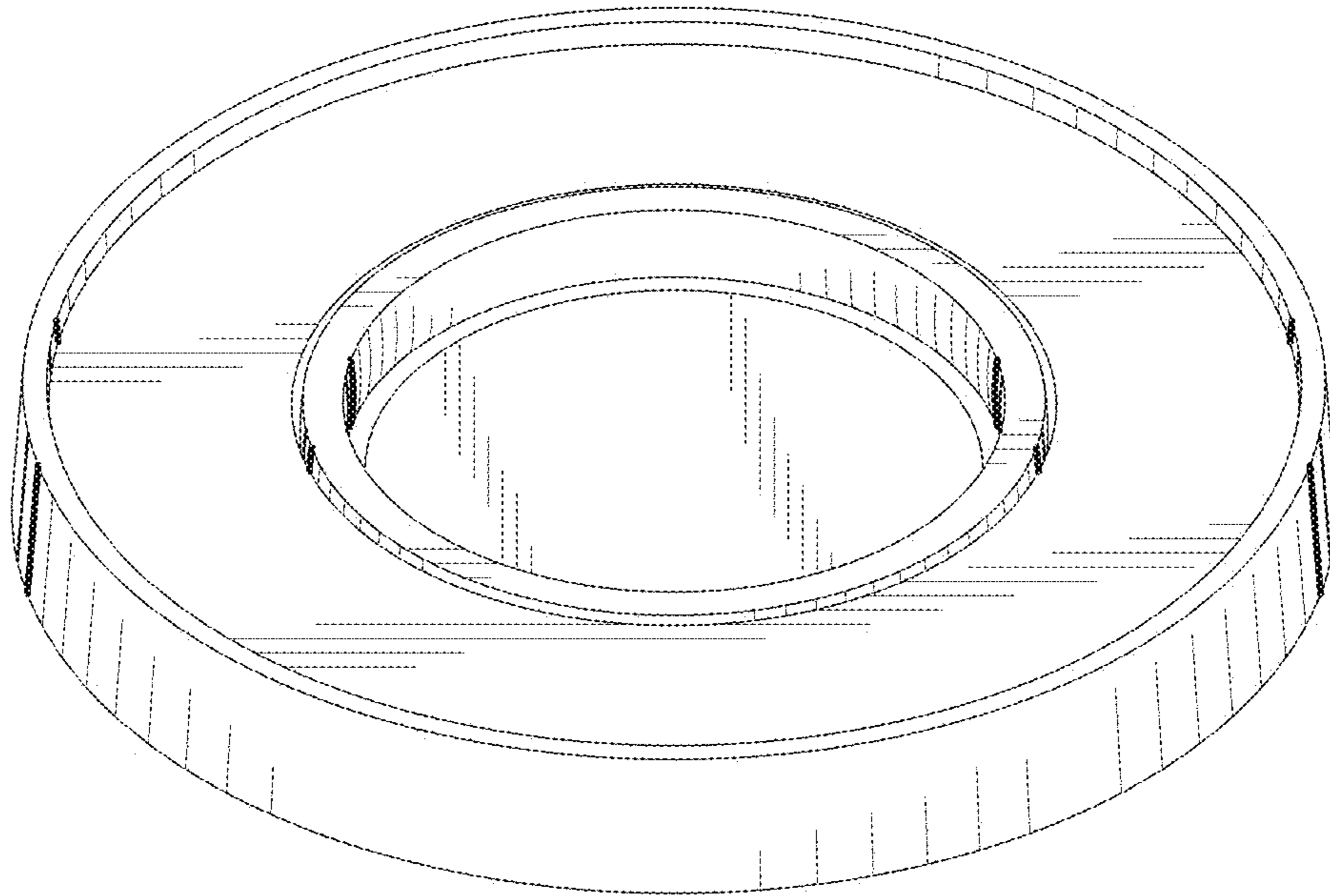


FIG. 1

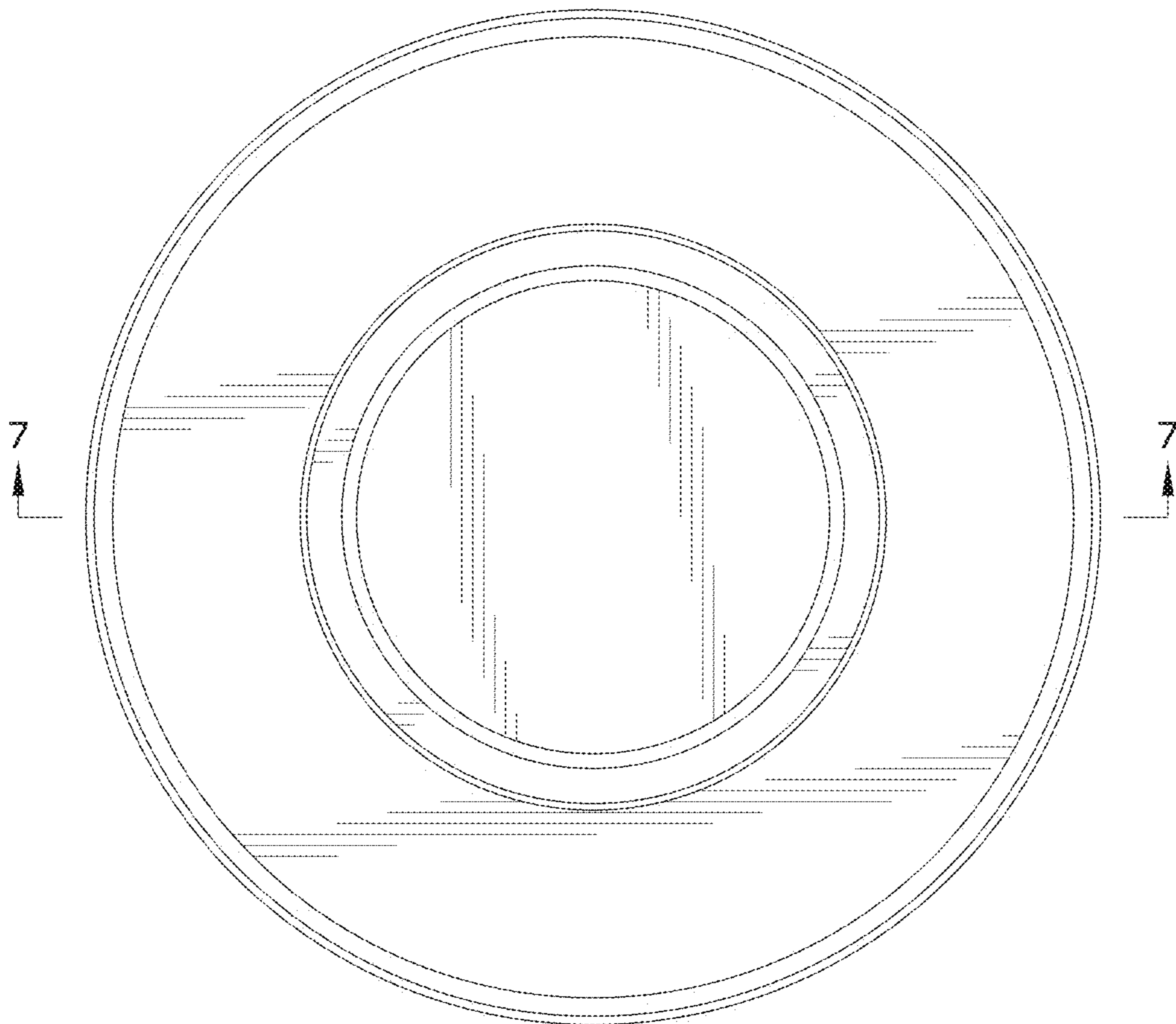


FIG. 2

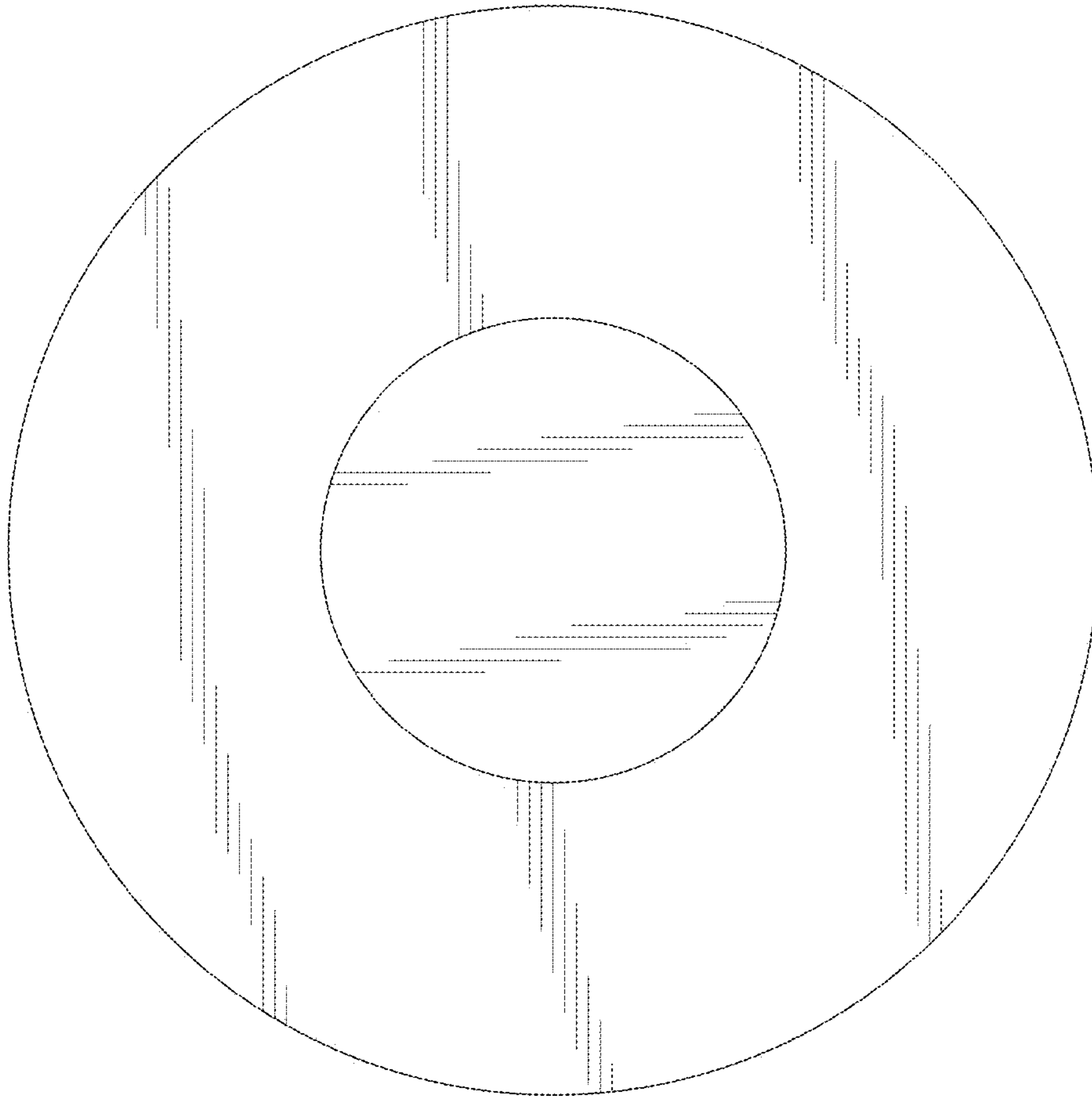


FIG. 3

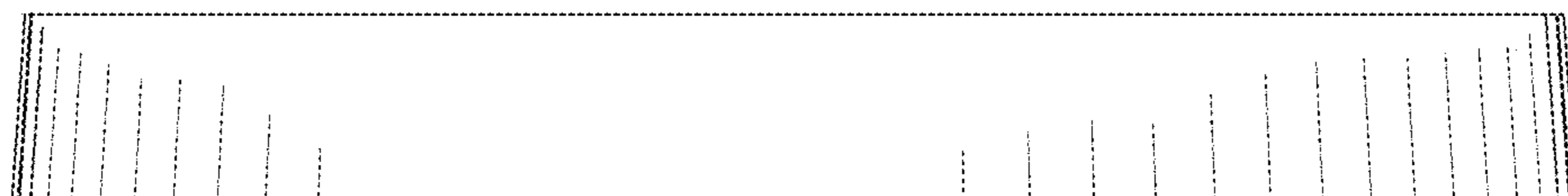


FIG. 4

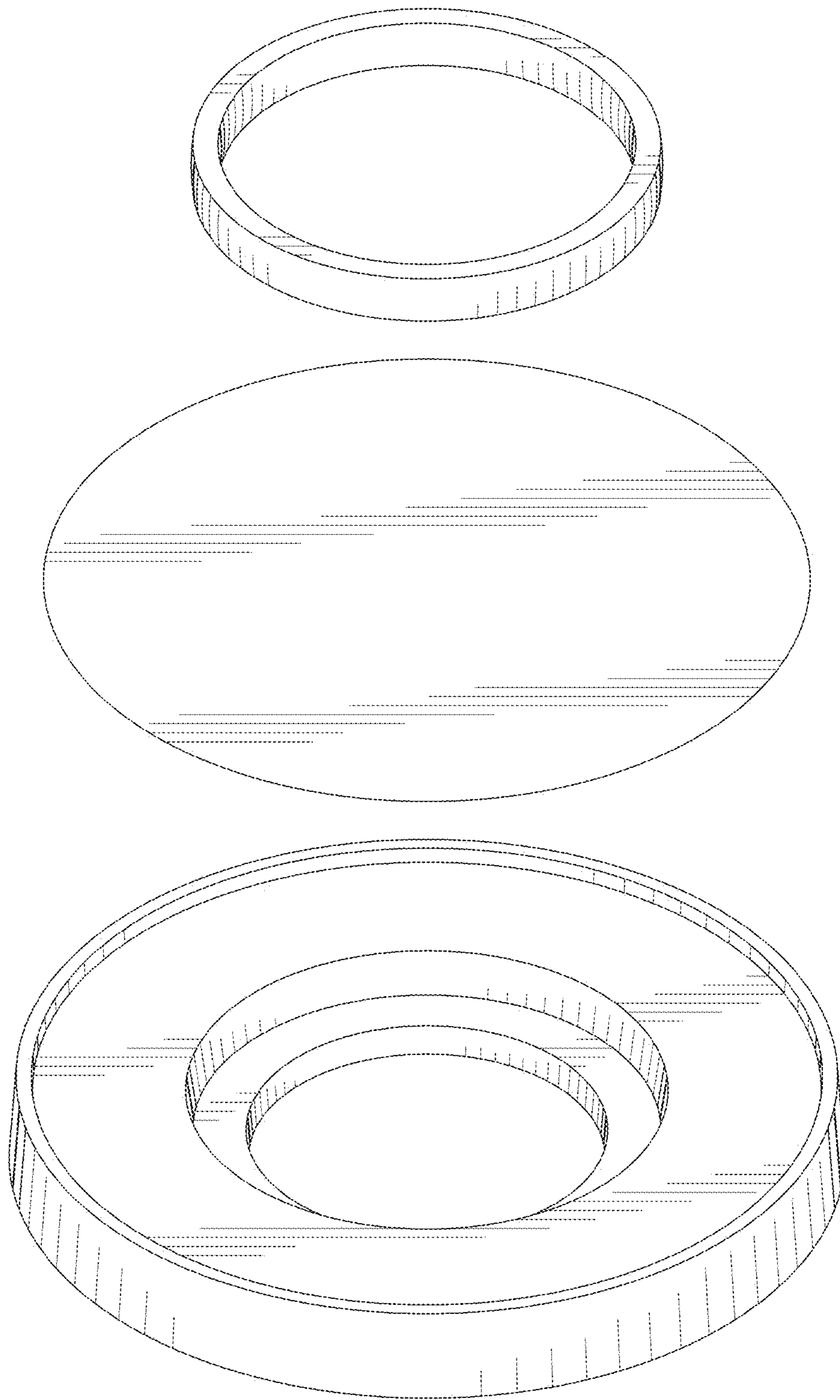


FIG. 5



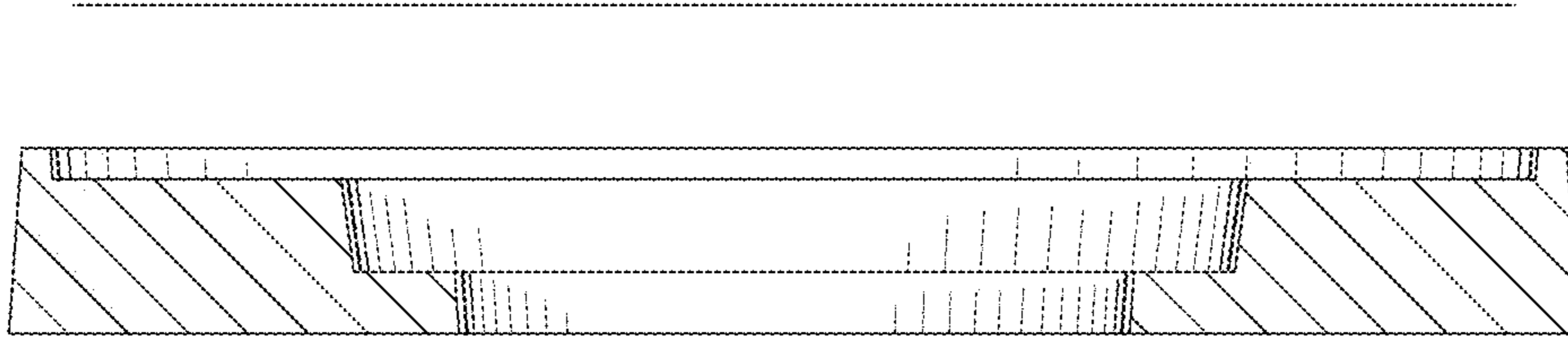


FIG. 6

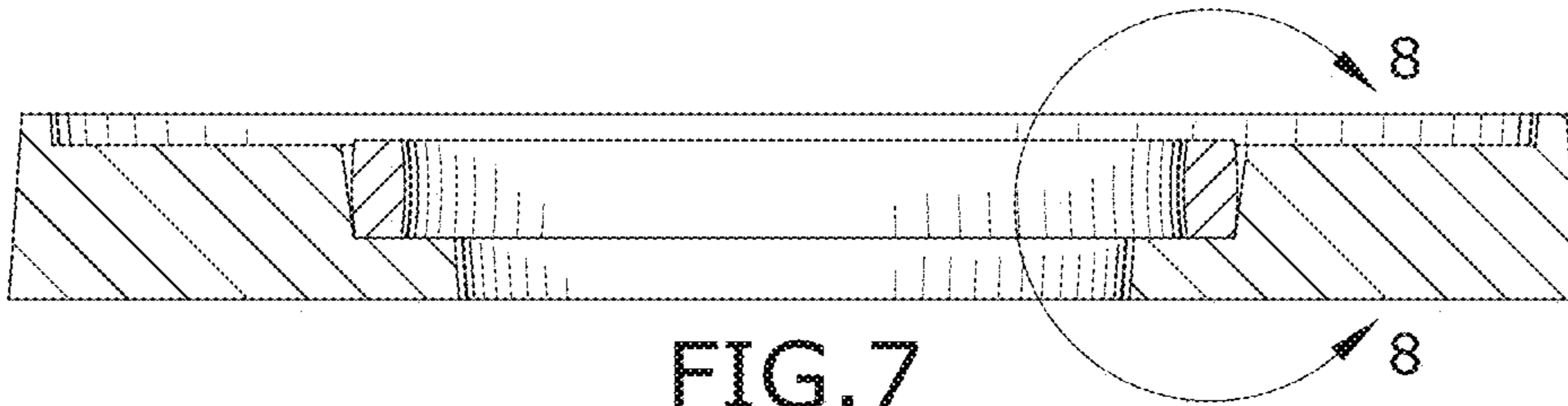


FIG. 7

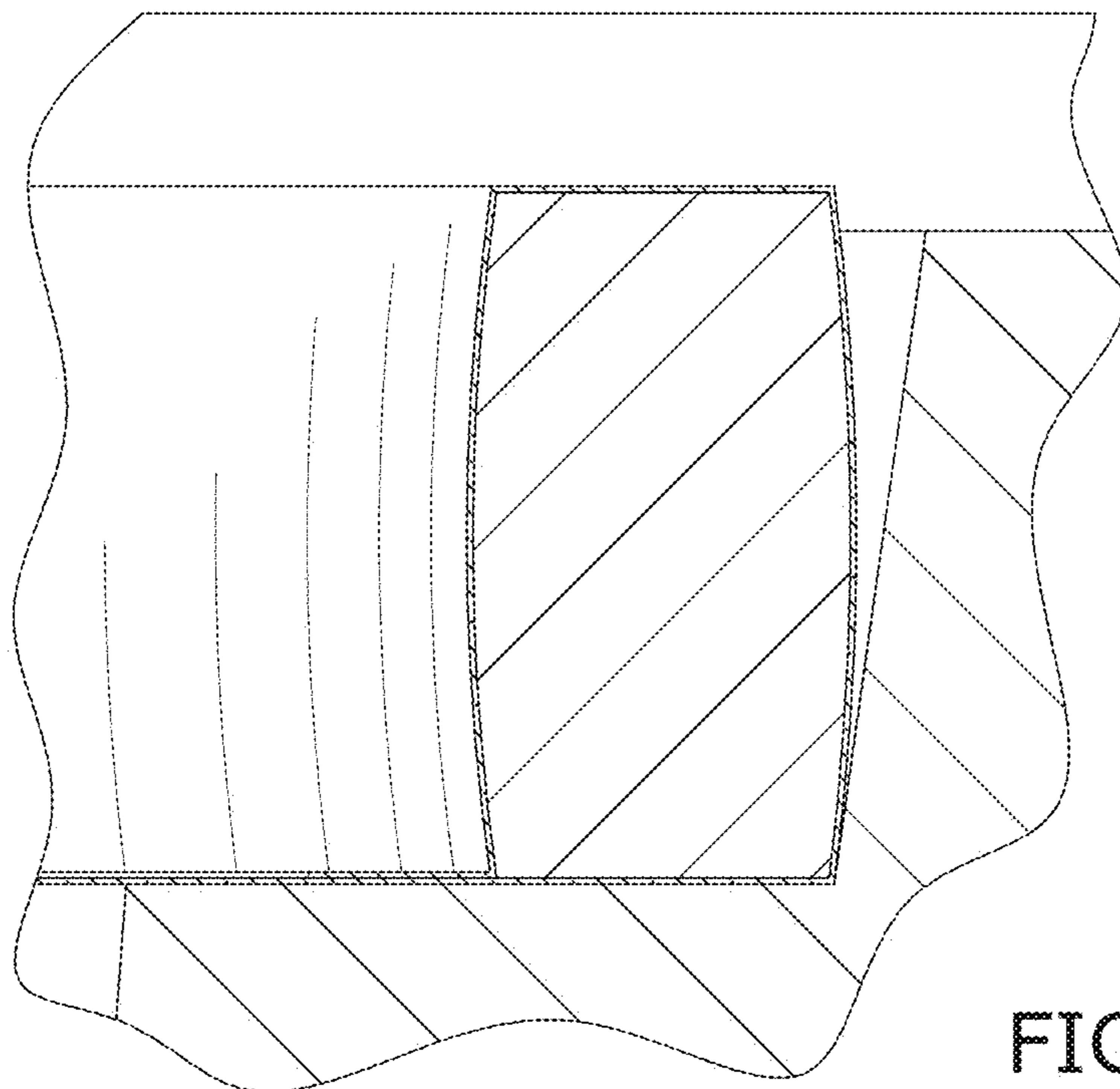


FIG. 8