



US00D877557S

(12) **United States Design Patent** (10) **Patent No.:** **US D877,557 S**  
**Gee et al.** (45) **Date of Patent:** **\*\* Mar. 10, 2020**

(54) **BLENDER BASE**

43/046; A47J 43/075; A47J 43/0722;  
A47J 43/0727; B01F 3/00; B01F 3/0807;  
B01F 3/0853;

(71) Applicant: **VITA-MIX MANAGEMENT CORPORATION**, Olmsted Township, OH (US)

(Continued)

(72) Inventors: **Jack W. Gee**, Willoughby, OH (US); **Fred H. Mehlman**, Brunswick, OH (US); **Eugene J. Kozlowski**, Medina, OH (US); **Robin Shorr**, Olmsted, OH (US); **Phonesacksith Guy Kettavong**, Medina, OH (US); **Christian C. Stewart**, Berea, OH (US); **Steffen Koury**, Everett, MA (US); **Paul Metaxatos**, Swampscott, OH (US); **Benjamin T. Hines**, Cranston, RI (US); **Brendan Boyd Crawford**, Newton, MA (US); **James Troy McGee**, Winthrop, MA (US)

(56)

**References Cited**

U.S. PATENT DOCUMENTS

D242,208 S \* 11/1976 Madl ..... D7/386  
7,871,195 B2 \* 1/2011 Larsen ..... A47J 43/046  
366/194

(Continued)

*Primary Examiner* — Ricky Pham

(74) *Attorney, Agent, or Firm* — McDonald Hopkins LLC

(57)

**CLAIM**

The ornamental design for a blender base, as shown and described.

(73) Assignee: **Vita-Mix Management Corporation**, Olmsted Township, OH (US)

**DESCRIPTION**

(\*\*) Term: **15 Years**

(21) Appl. No.: **29/685,696**

(22) Filed: **Mar. 29, 2019**

**Related U.S. Application Data**

(60) Continuation of application No. 29/617,957, filed on Sep. 18, 2017, now Pat. No. Des. 844,370, which is (Continued)

(51) **LOC (12) Cl.** ..... **31-00**

(52) **U.S. Cl.**  
USPC ..... **D7/386; D7/376; D7/378**

(58) **Field of Classification Search**  
USPC ..... D7/372, 376–386, 412–413, 602, 629, D7/665–666, 669, 679, 693–694  
CPC .... A21C 1/02; A21C 1/04; A23N 1/00; A23N 1/02; A47J 43/04; A47J 43/25; A47J 43/27; A47J 43/042; A47J 43/044; A47J

FIG. 1 is a perspective view of a blender base showing our new design;

FIG. 2 is a front side view thereof;

FIG. 3 is a back side view thereof;

FIG. 4 is a right side view thereof;

FIG. 5 is a left side view thereof;

FIG. 6 is a top view thereof;

FIG. 7 is a bottom view thereof;

FIG. 8 is a perspective view of a second embodiment of a blender base showing our new design;

FIG. 9 is a front side view thereof;

FIG. 10 is a back side view thereof;

FIG. 11 is a right side view thereof;

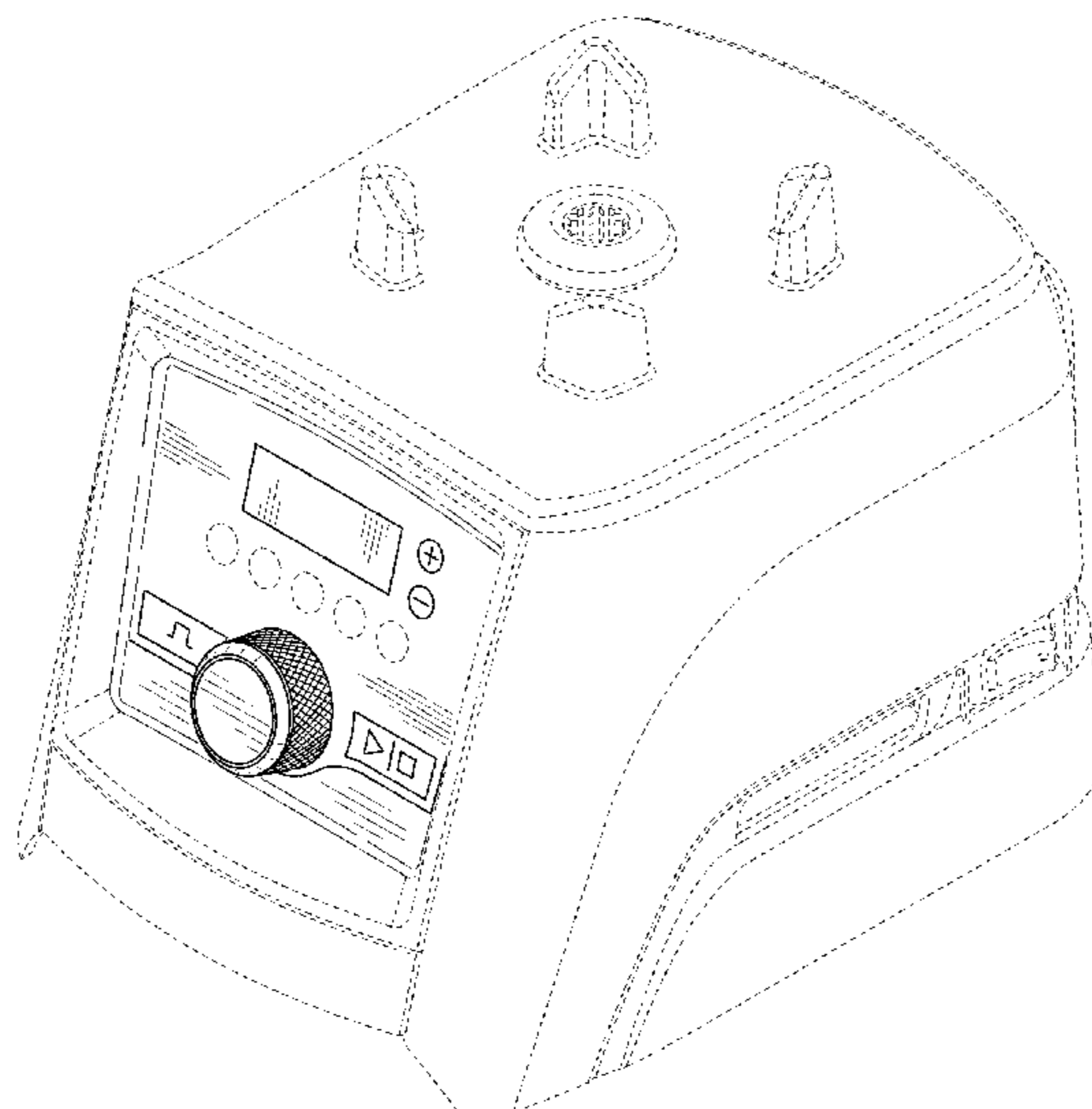
FIG. 12 is a left side view thereof;

FIG. 13 is a top view thereof; and,

FIG. 14 is a bottom view thereof.

The broken lines in the figures are included for the purpose of illustrating portions of a blender base and form no part of the claimed design.

**1 Claim, 14 Drawing Sheets**



**Related U.S. Application Data**

a division of application No. 29/557,010, filed on Mar. 4, 2016, now Pat. No. Des. 797,496.

(58) **Field of Classification Search**

CPC .... B01F 13/0059; B01F 13/0064; B02C 1/08;  
B02C 2/04; B02C 4/42; B02C 4/142;  
B02C 4/143; B02C 4/423; B02C 13/1835;  
B28C 5/10; B28C 5/12; B28C 5/14;  
B28C 5/16

See application file for complete search history.

(56) **References Cited**

U.S. PATENT DOCUMENTS

D660,643	S	*	5/2012	Boozer	.....	D7/376
D670,532	S	*	11/2012	Boozer	.....	D7/376
D818,308	S	*	5/2018	Smith	.....	D7/386
D830,115	S	*	10/2018	Gee, II	.....	D7/386
D832,029	S	*	10/2018	Gee, II	.....	D7/386
D844,370	S	*	4/2019	Gee	.....	D7/386
D845,698	S	*	4/2019	Gee, II	.....	D7/386
D846,338	S	*	4/2019	Smith	.....	D7/378
D846,339	S	*	4/2019	Smith	.....	D7/378

\* cited by examiner

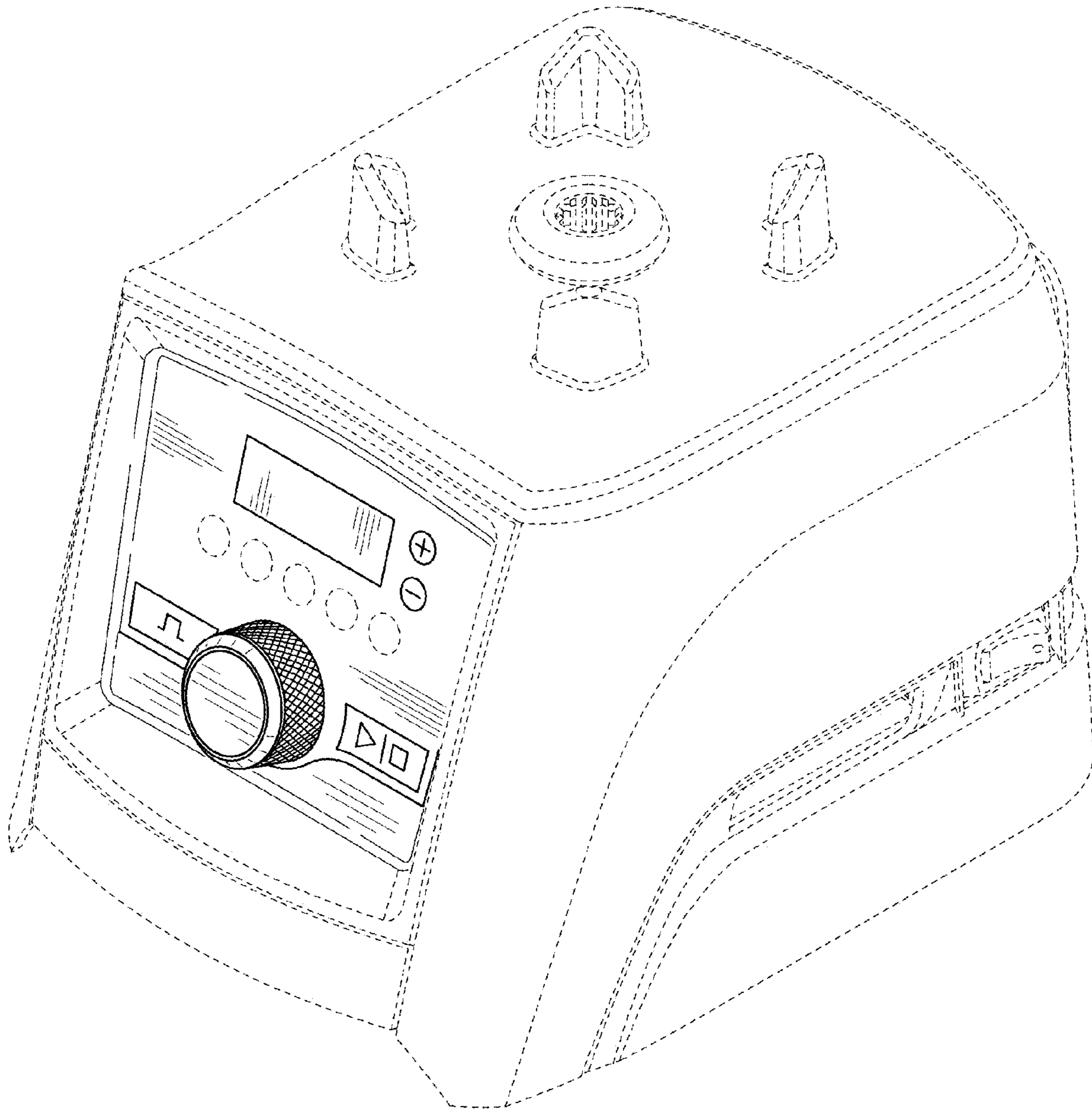


FIG. 1

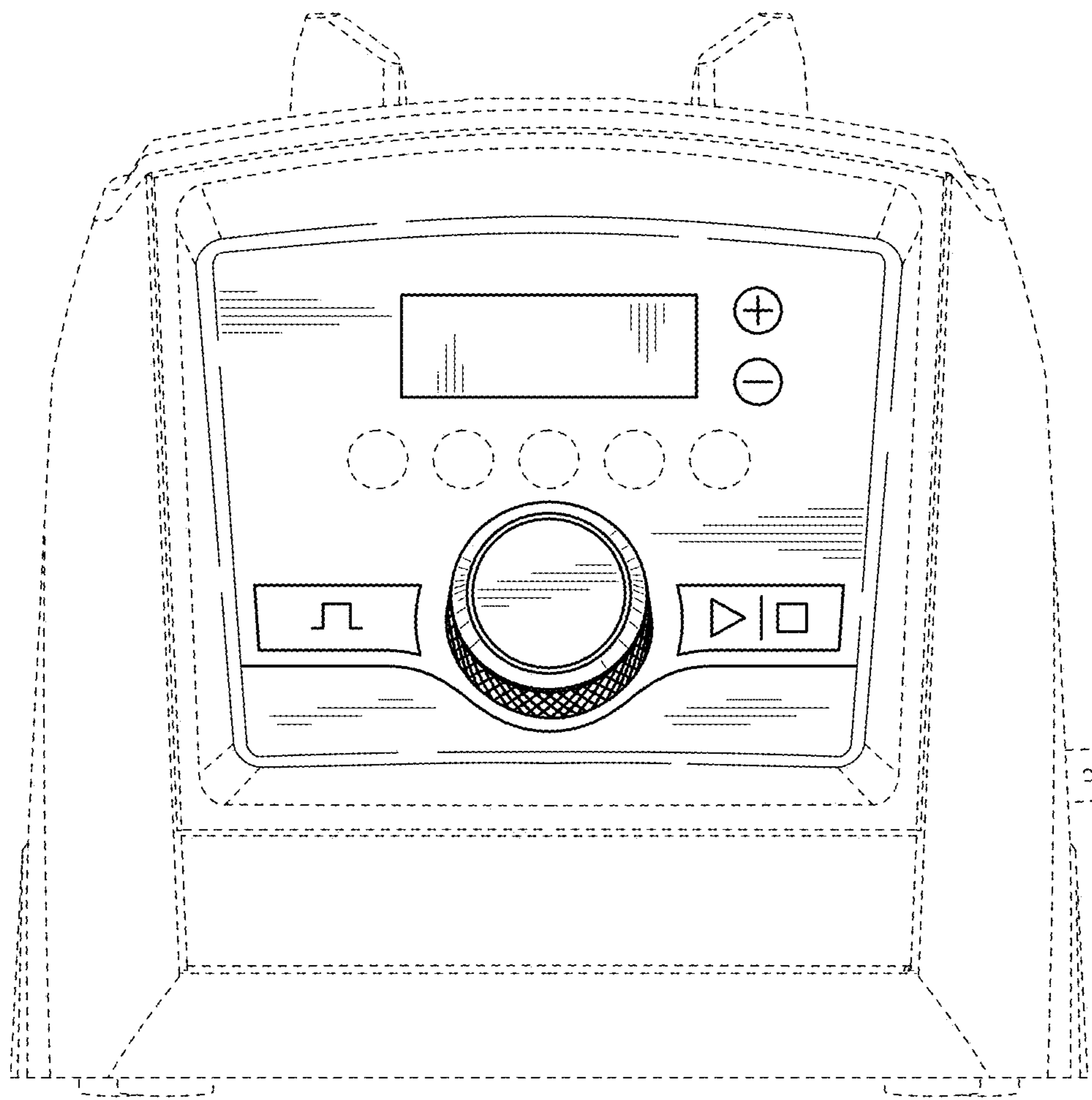


FIG. 2

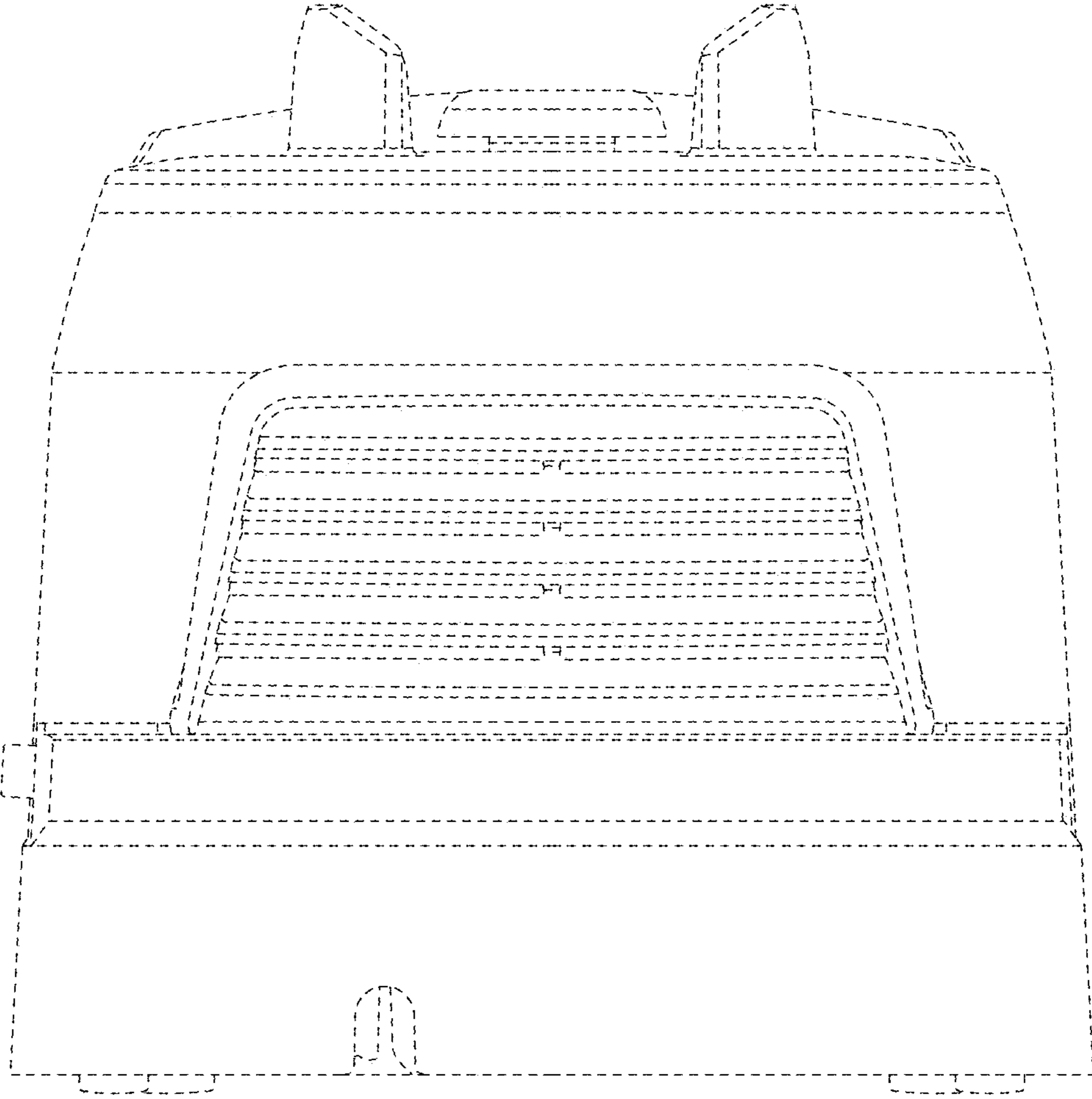


FIG. 3

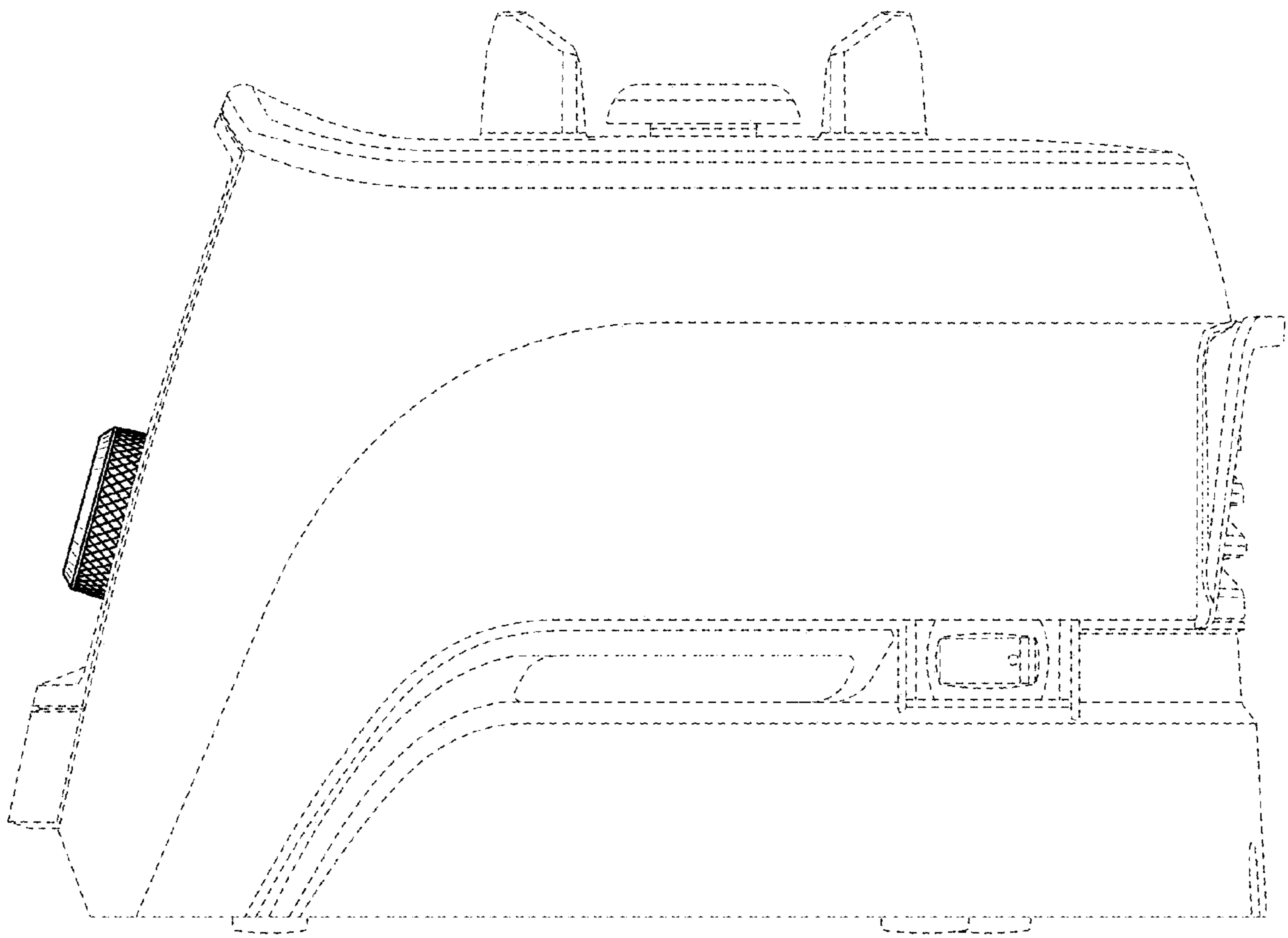


FIG. 4

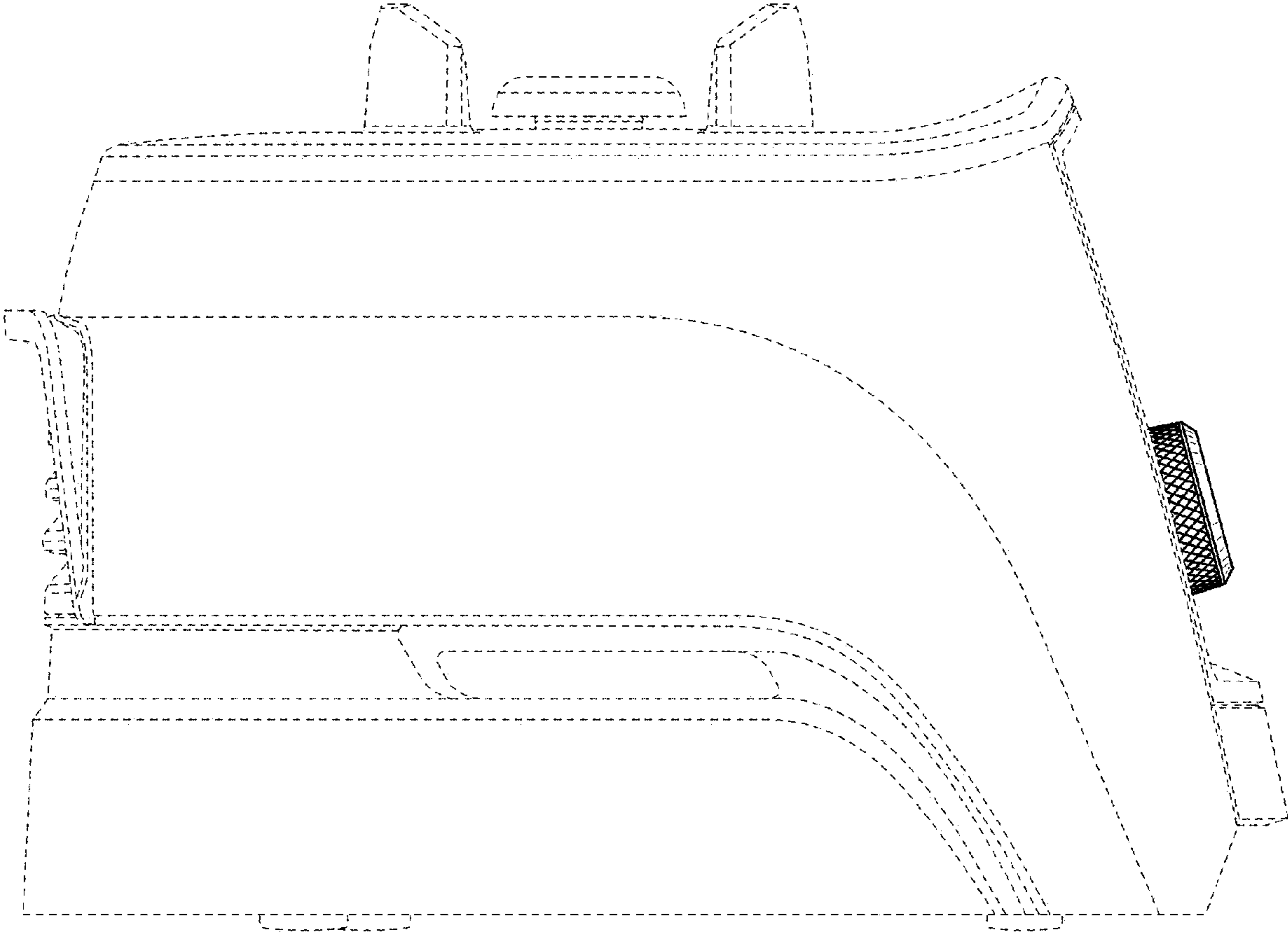


FIG. 5

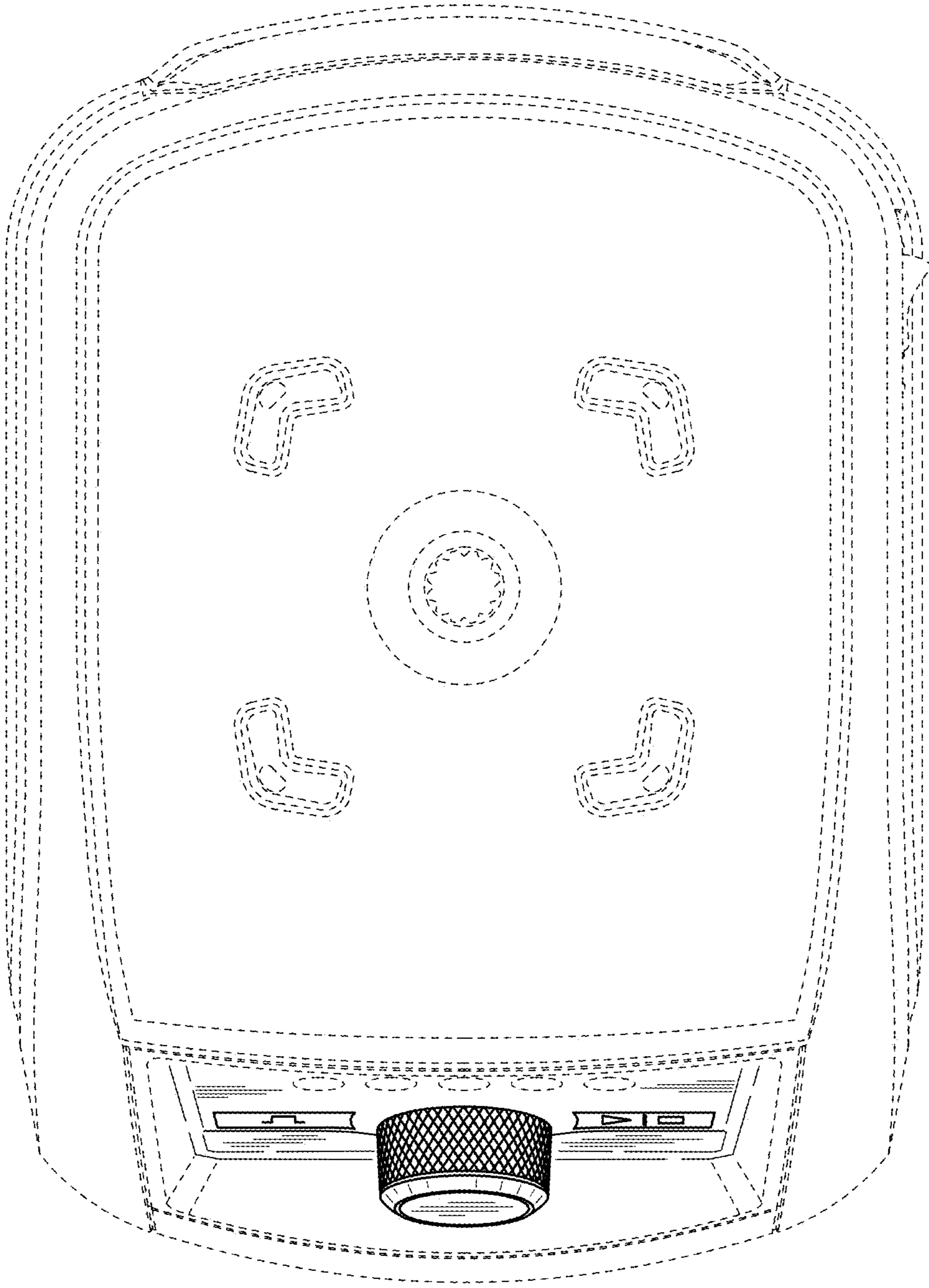


FIG. 6



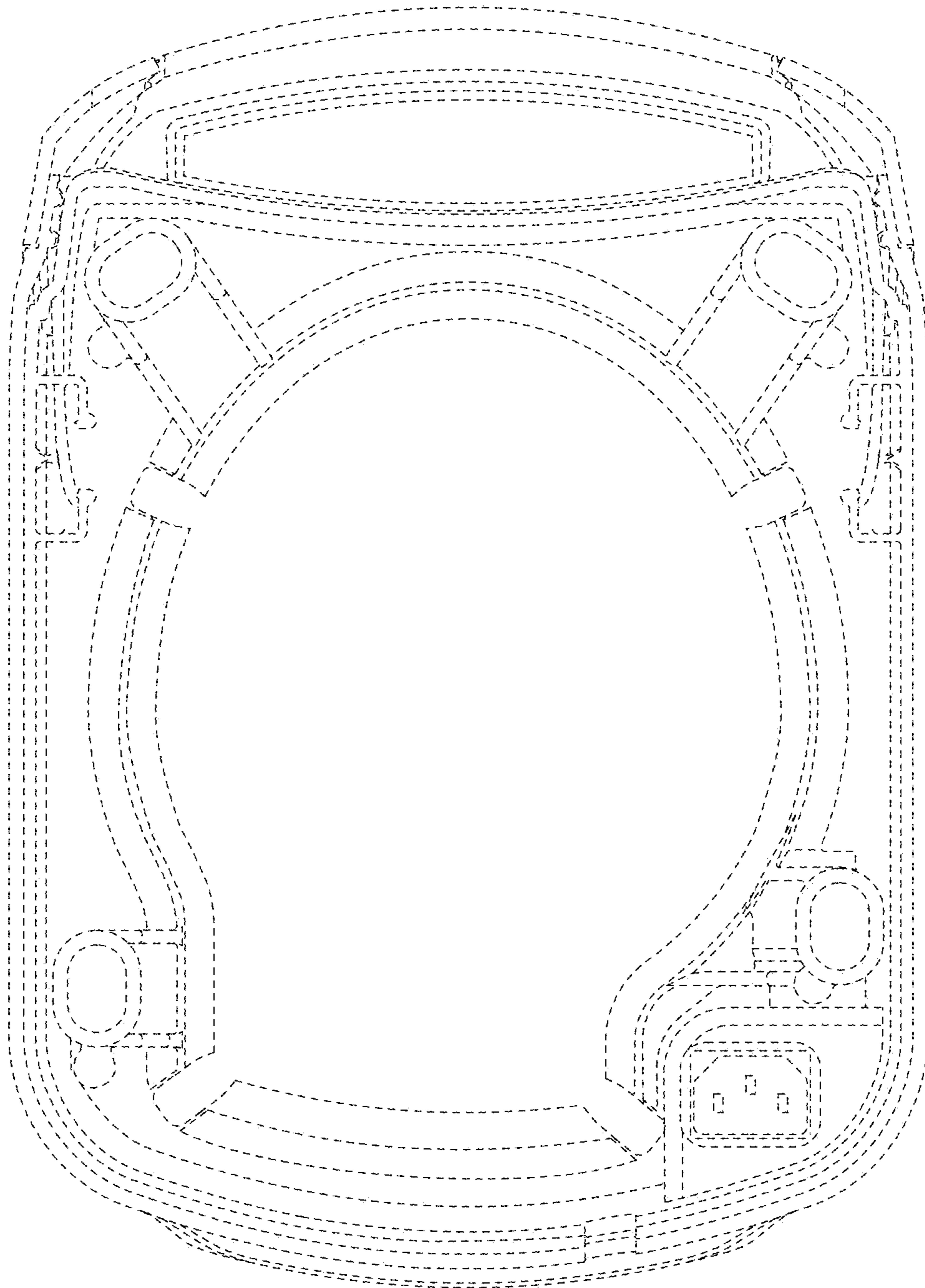


FIG. 7

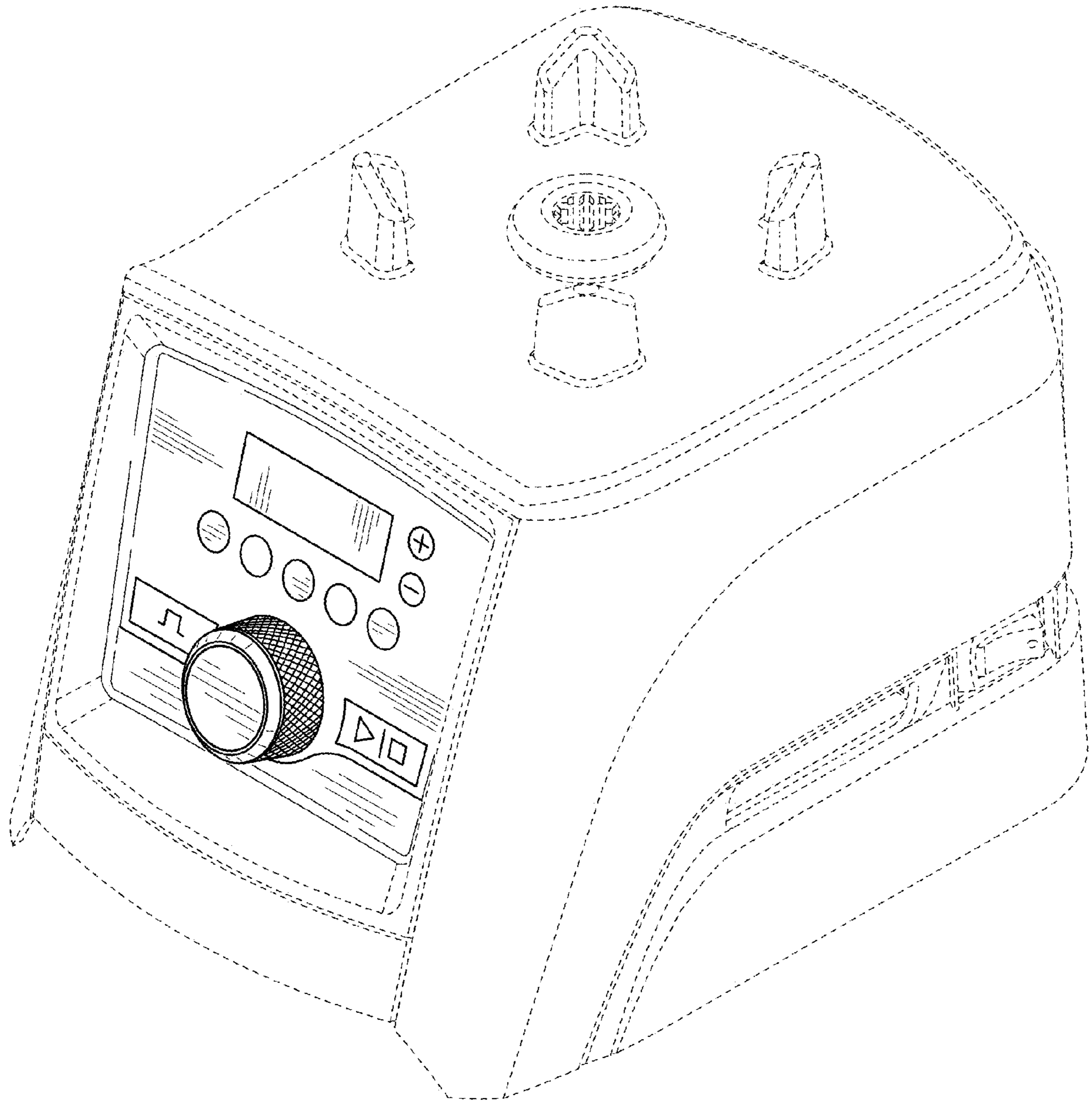


FIG. 8

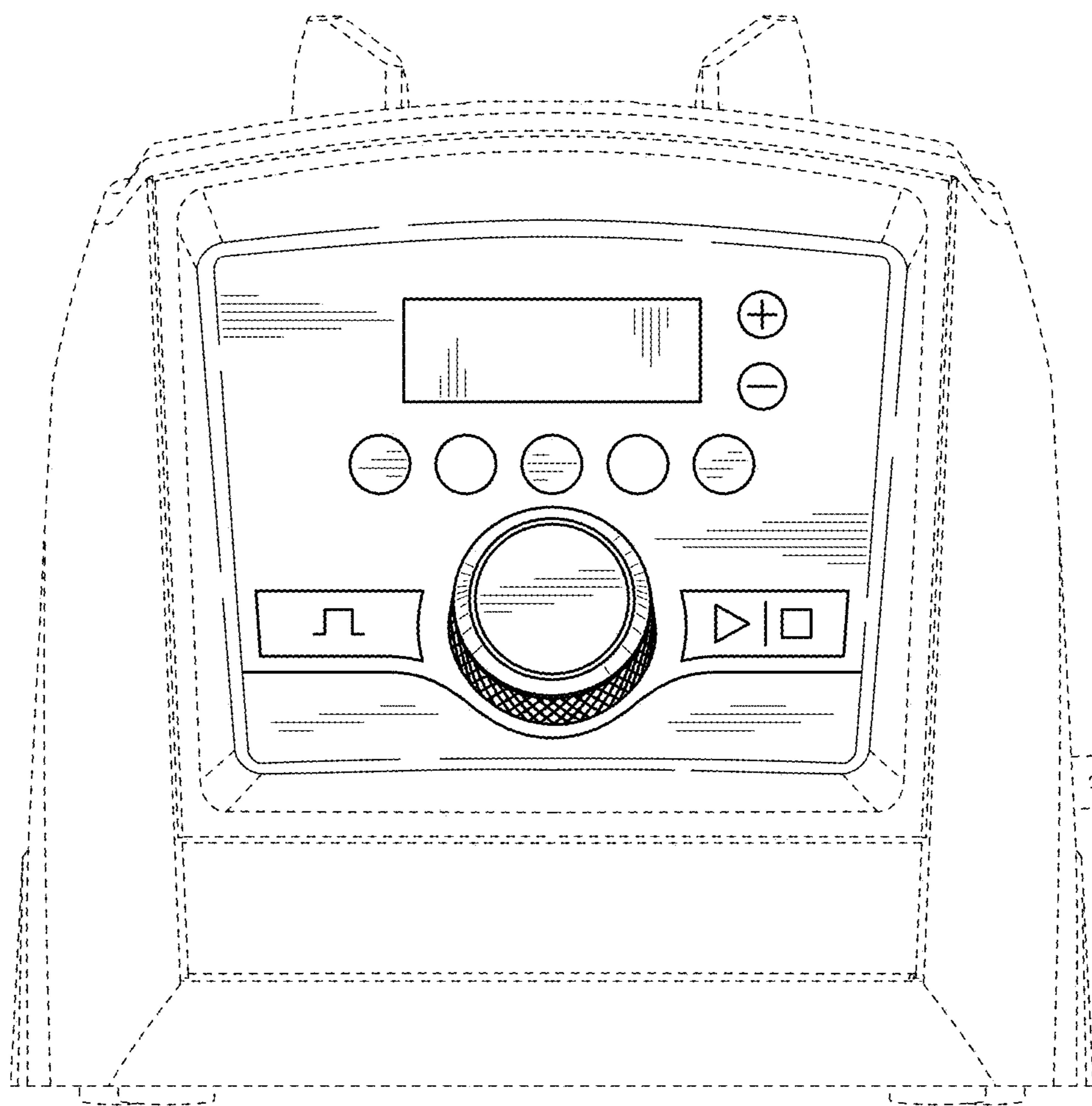


FIG. 9

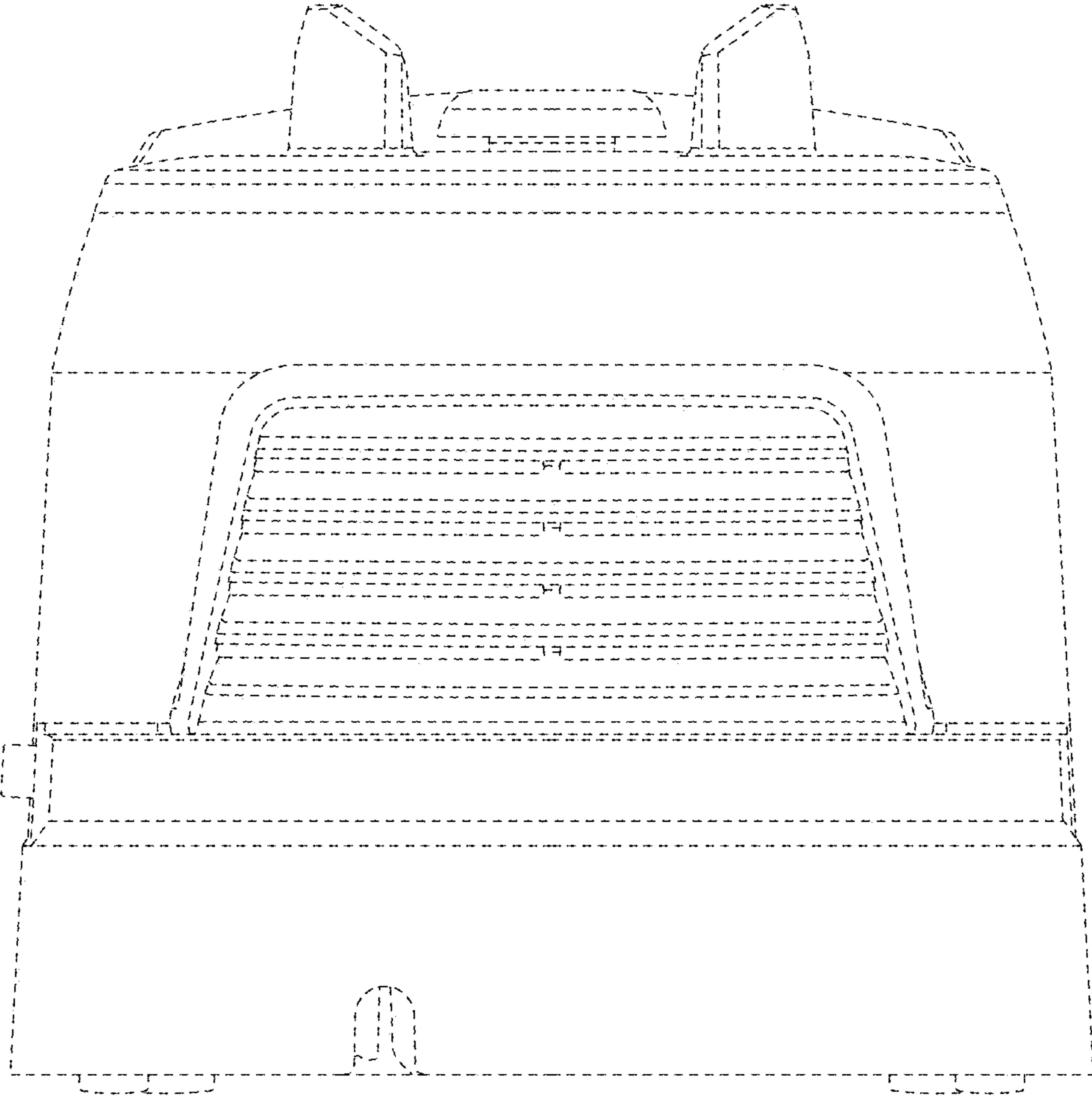


FIG. 10

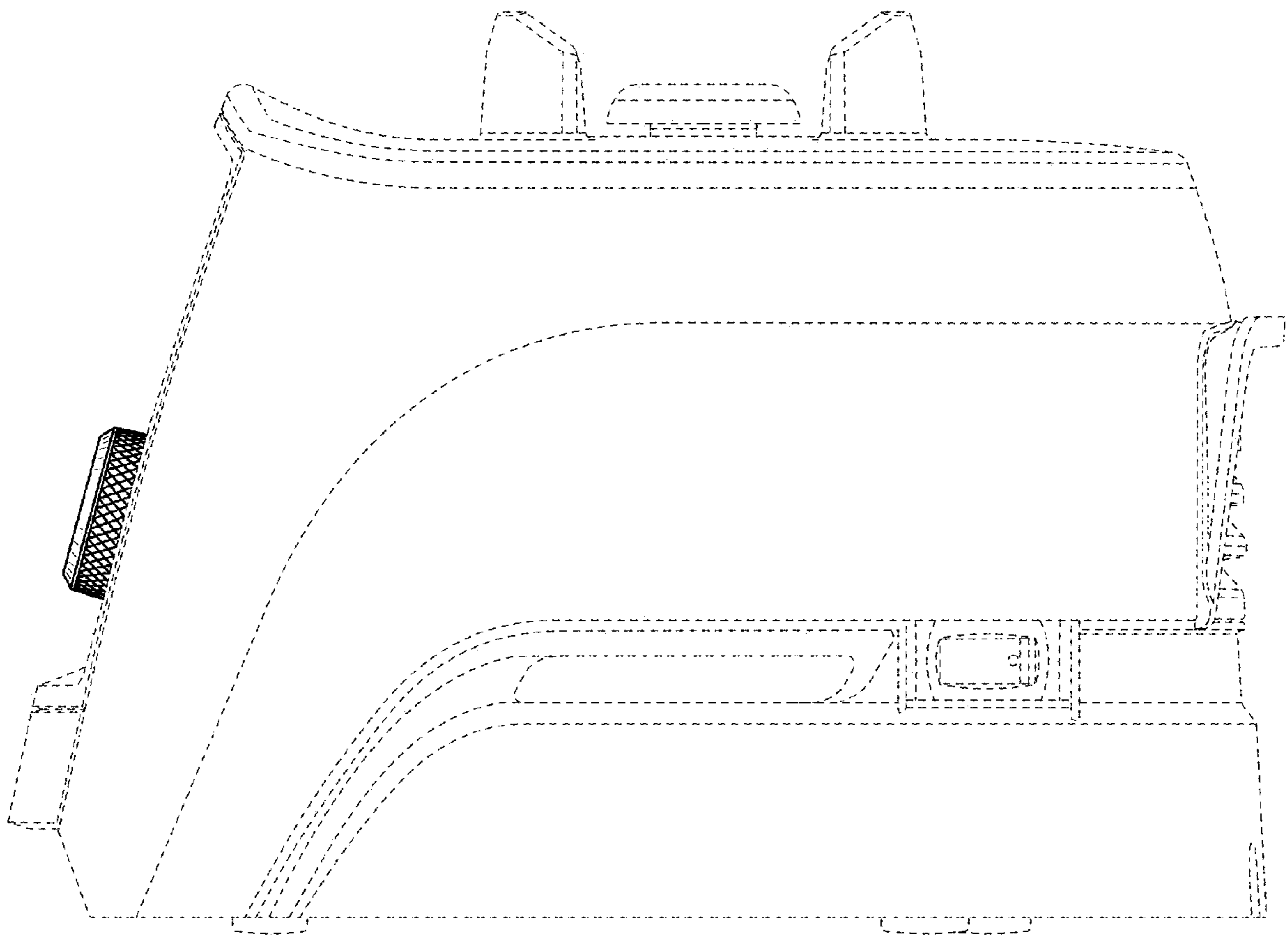


FIG. 11

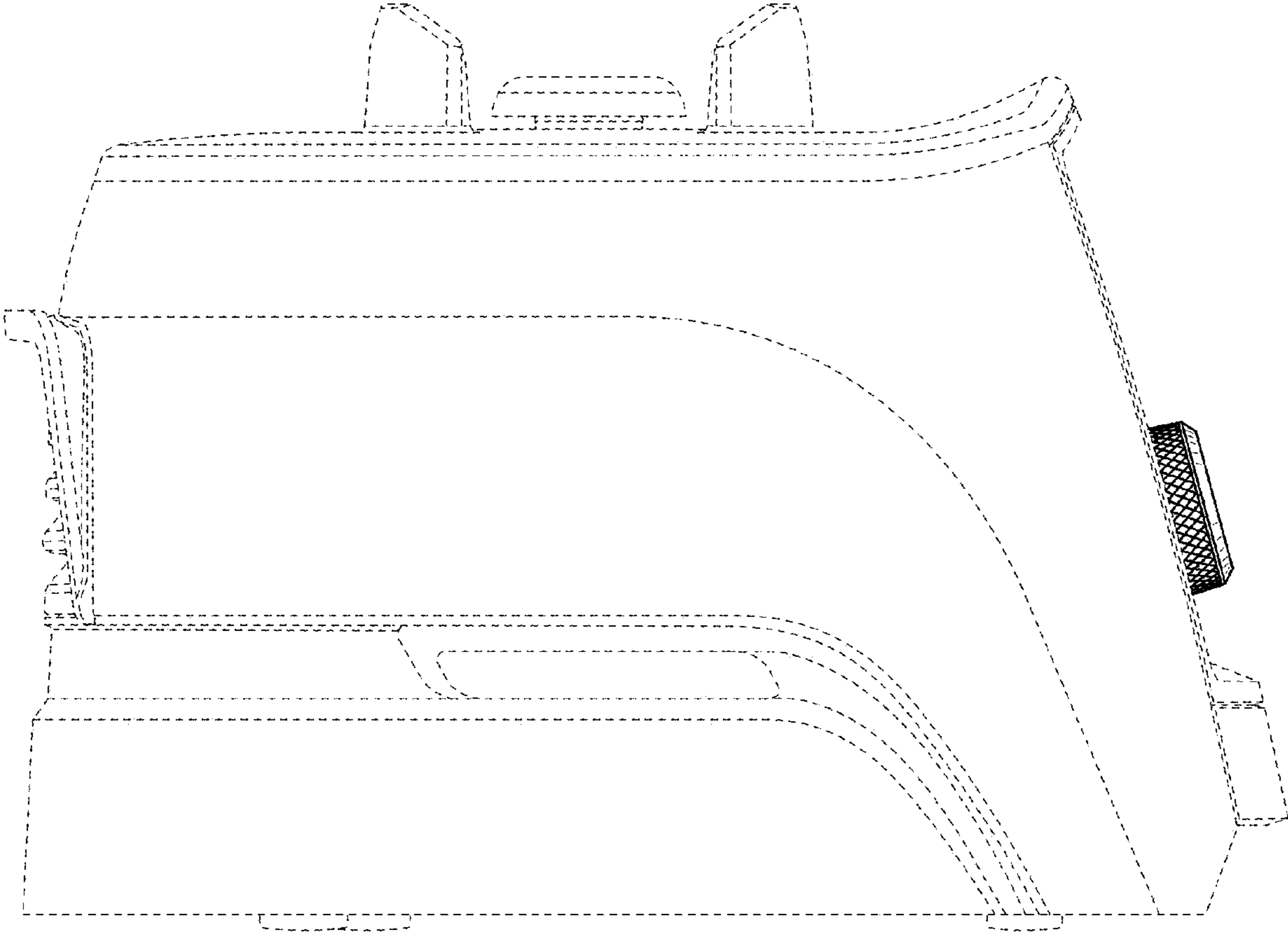


FIG. 12

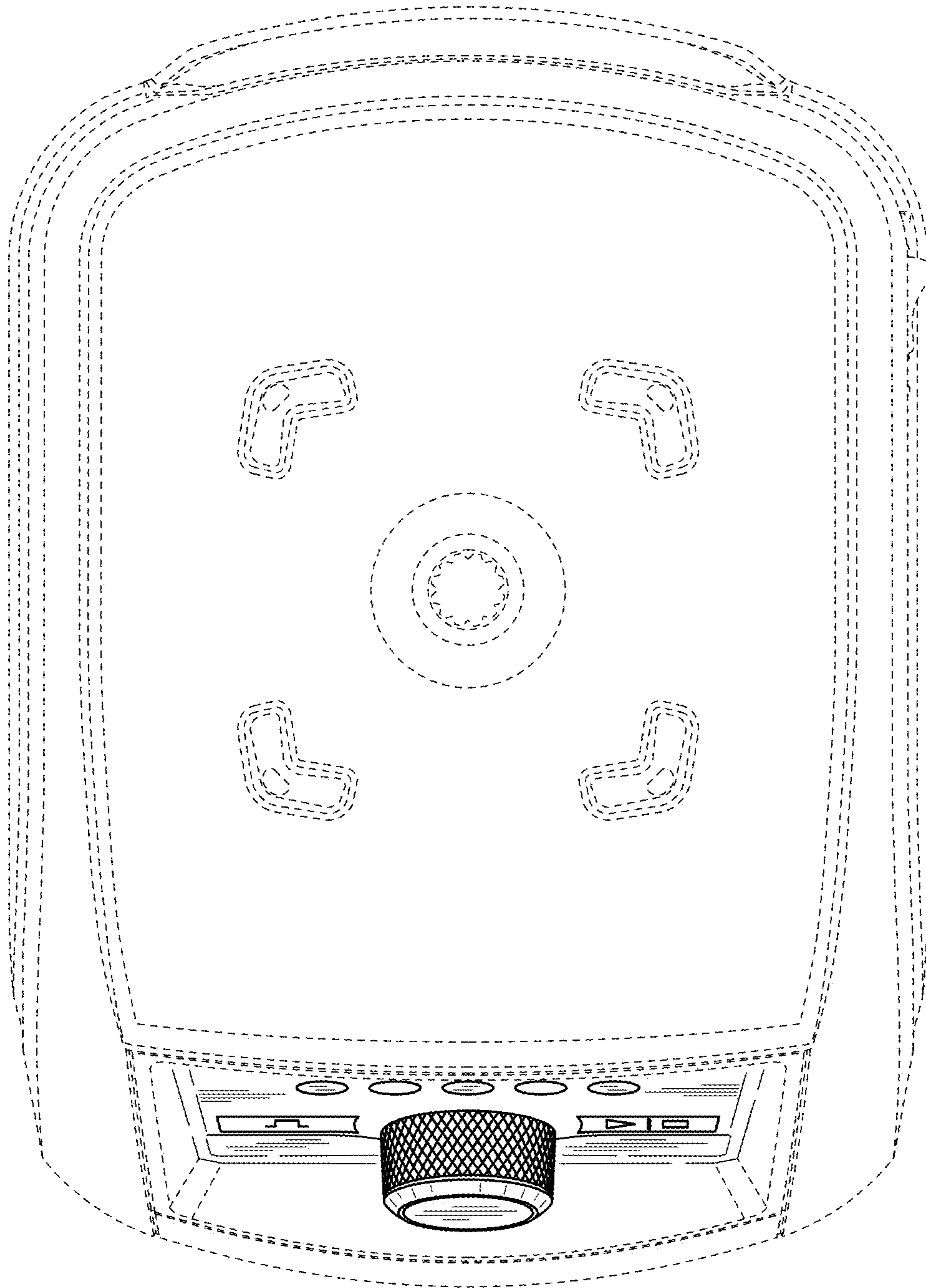


FIG. 13

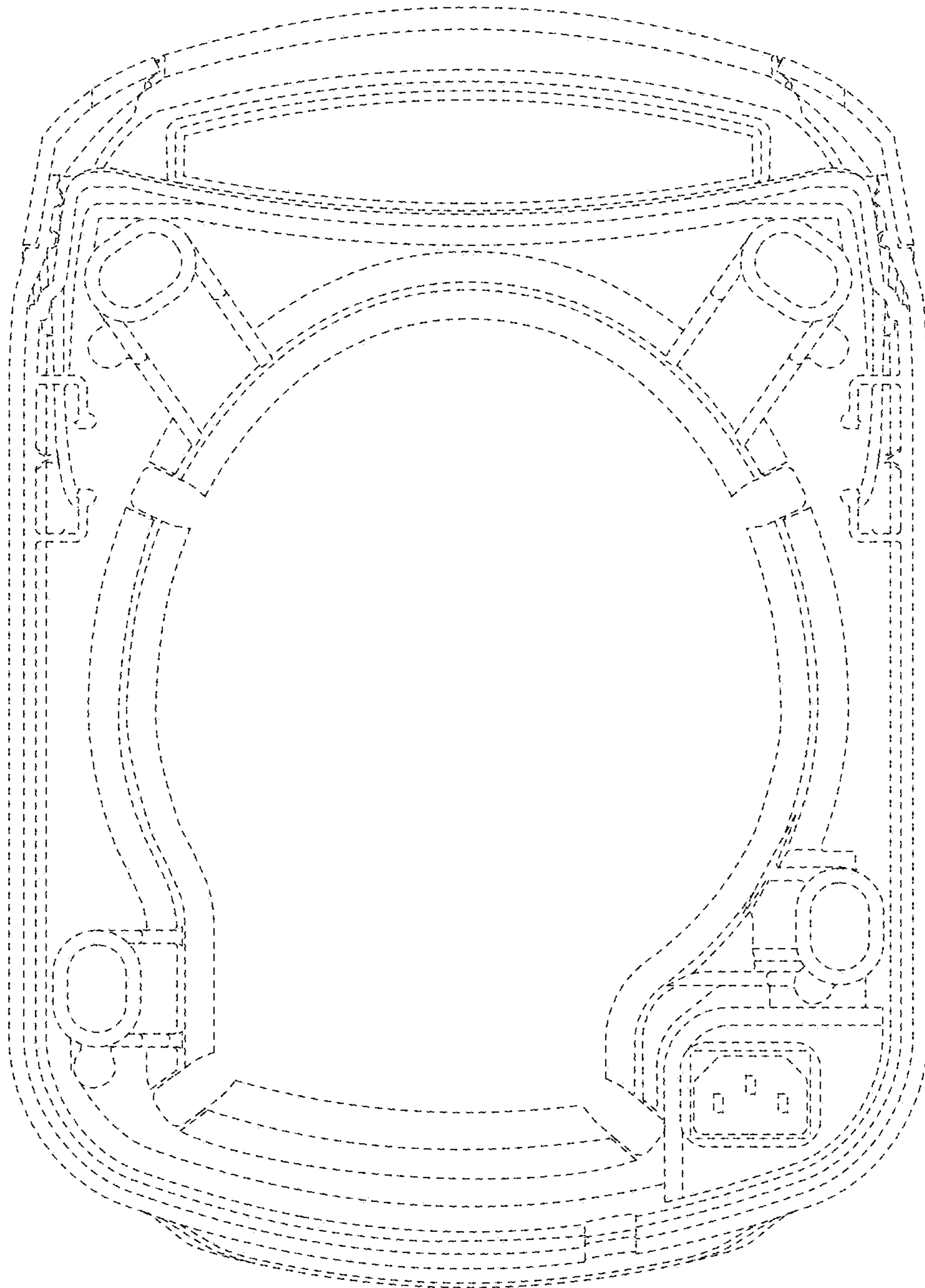


FIG. 14