



US00D877555S

(12) **United States Design Patent** (10) **Patent No.:** **US D877,555 S**
McGinnis et al. (45) **Date of Patent:** **** Mar. 10, 2020**

(54) **SINGLE BOWL FRYER TANK**
(71) Applicant: **PITCO FRIALATOR, INC.**, Bow, NH (US)
(72) Inventors: **Michael McGinnis**, Windham, NH (US); **Steven J. Cyr**, Londonderry, NH (US); **Karl M. Searl**, Newmarket, NH (US)
(73) Assignee: **PITCO FRIALATOR, INC.**, Bow, NH (US)
(**) Term: **15 Years**
(21) Appl. No.: **29/649,981**
(22) Filed: **Jun. 4, 2018**
(51) **LOC (12) Cl.** **07-02**
(52) **U.S. Cl.**
USPC **D7/354**
(58) **Field of Classification Search**
USPC D3/307; D7/323, 354–361; D15/89
CPC A23L 1/01; A23L 1/0107; A23L 1/0114;
A47J 27/00; A47J 27/08; A47J 27/09;
A47J 27/092; A47J 36/025; A47J 36/06;
A47J 36/08; A47J 36/10; A47J 36/12;
A47J 36/165; A47J 36/18; A47J 36/20;
A47J 36/22; A47J 36/38; A47J 37/00;
A47J 37/049; A47J 37/12; A47J 37/1204;
A47J 37/1209; A47J 37/1214; A47J
37/1219; A47J 37/1266; A47J 37/1285;
A47J 37/129; A47J 37/1295; G07F
17/0064; G07F 17/0078; G07F 17/0085;
H05B 6/02; H05B 6/06; H05B 6/12
See application file for complete search history.

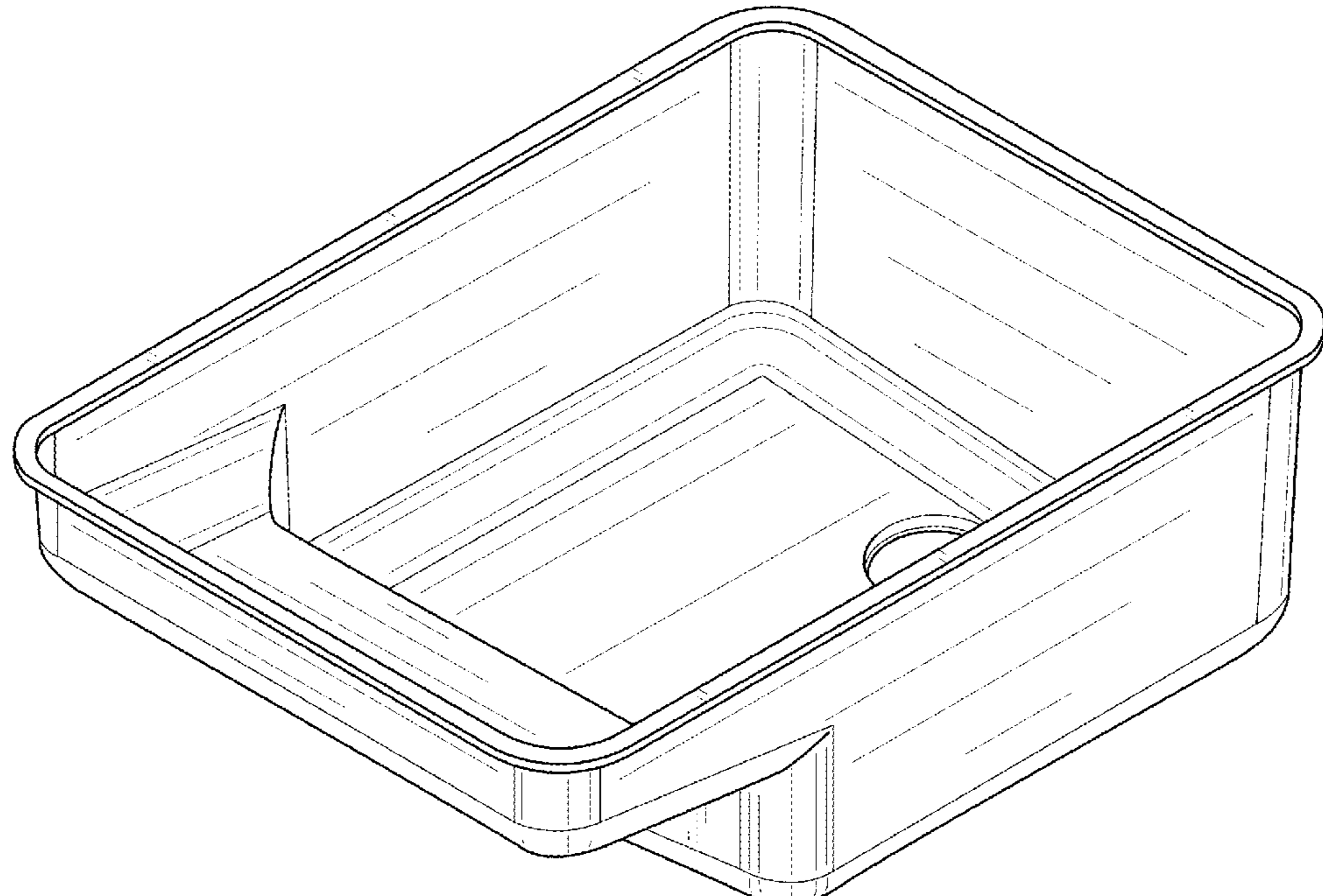
(56) **References Cited**
U.S. PATENT DOCUMENTS
7,015,429 B2 * 3/2006 Lau A47J 36/38
219/430
D733,770 S * 7/2015 Park D15/89
D745,581 S * 12/2015 Jeon D15/89
D760,017 S * 6/2016 Berge D7/354
D777,435 S * 1/2017 Hecht D3/307
D814,846 S * 4/2018 Hedrington D7/354
2010/0212511 A1 * 8/2010 Jones A47J 37/1219
99/336
2018/0192820 A1 * 7/2018 Chang A47J 37/049
* cited by examiner

Primary Examiner — Ricky Pham
(74) *Attorney, Agent, or Firm* — Seyfarth Shaw LLP;
Brian Michaelis

(57) **CLAIM**
The ornamental design for a single bowl fryer tank, as shown and described.

DESCRIPTION
FIG. 1 shows a right perspective view of a single bowl fryer tank;
FIG. 2 shows a left perspective view thereof;
FIG. 3 shows a front view thereof;
FIG. 4 shows a right side view thereof with a Section line **8-8**;
FIG. 5 shows a left side view thereof;
FIG. 6 shows a bottom view thereof;
FIG. 7 shows a top view thereof; and,
FIG. 8 shows a sectioned view taken along line **8-8** of FIG. 4.

1 Claim, 8 Drawing Sheets



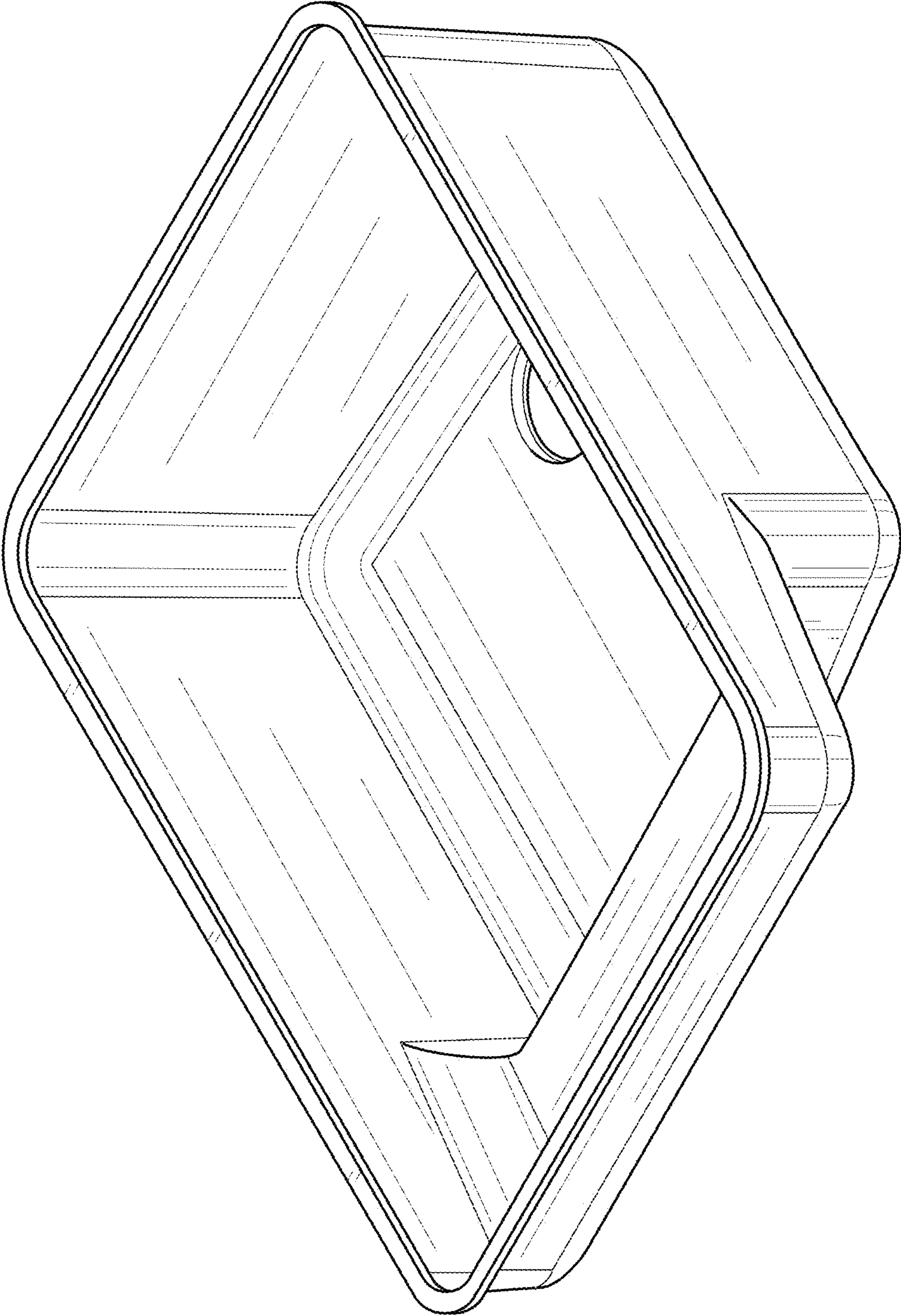


FIG. 1

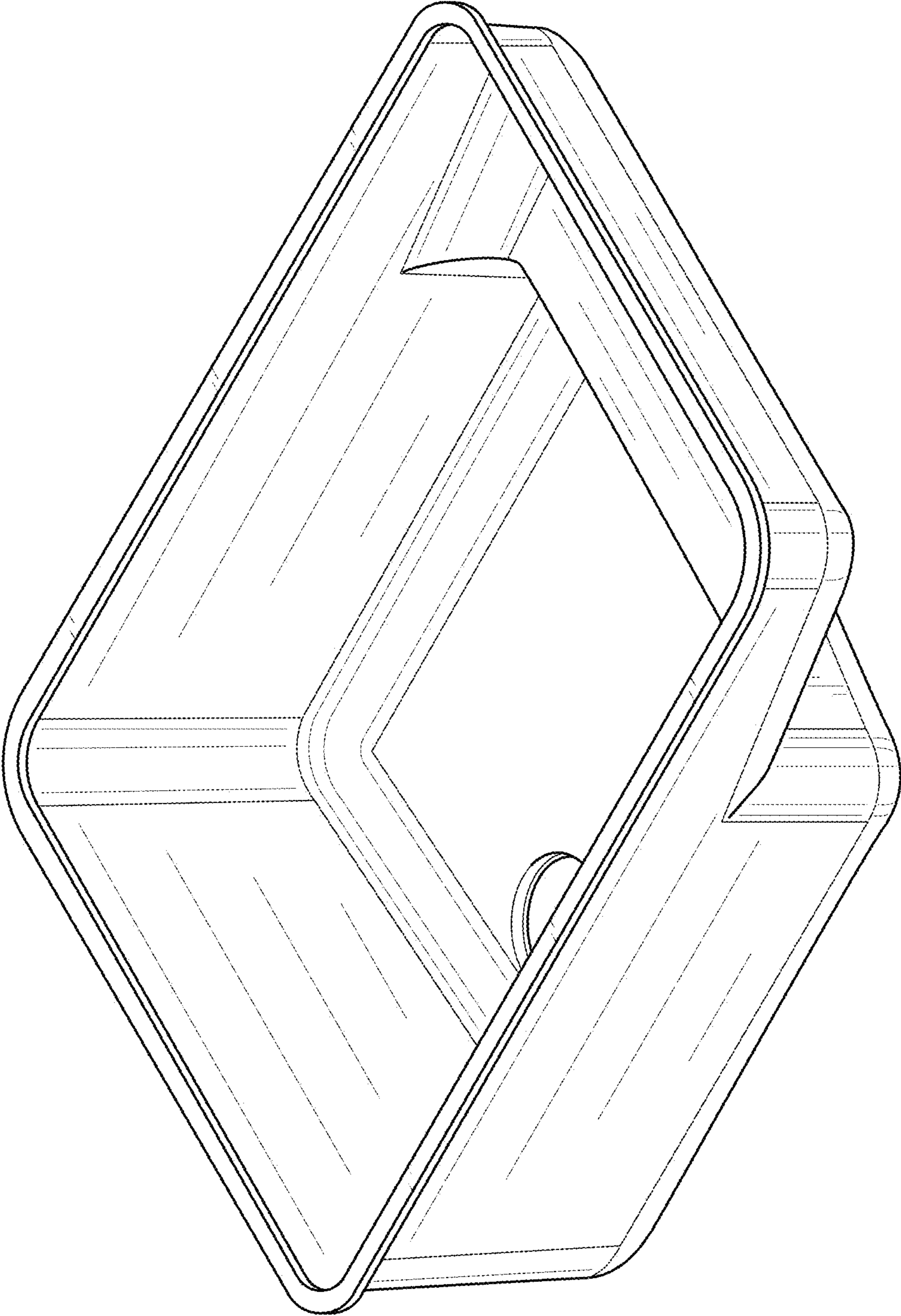


FIG. 2

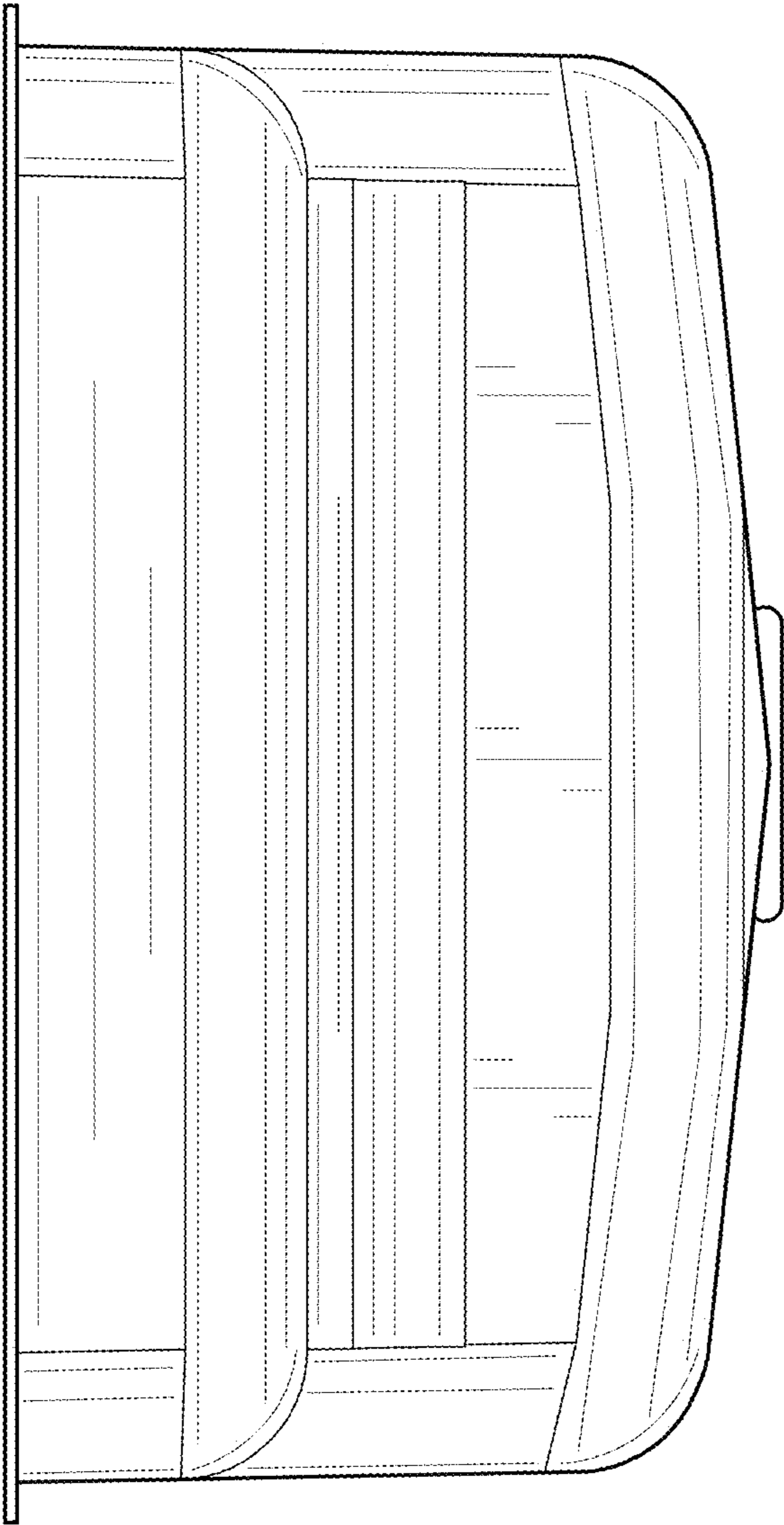


FIG. 3

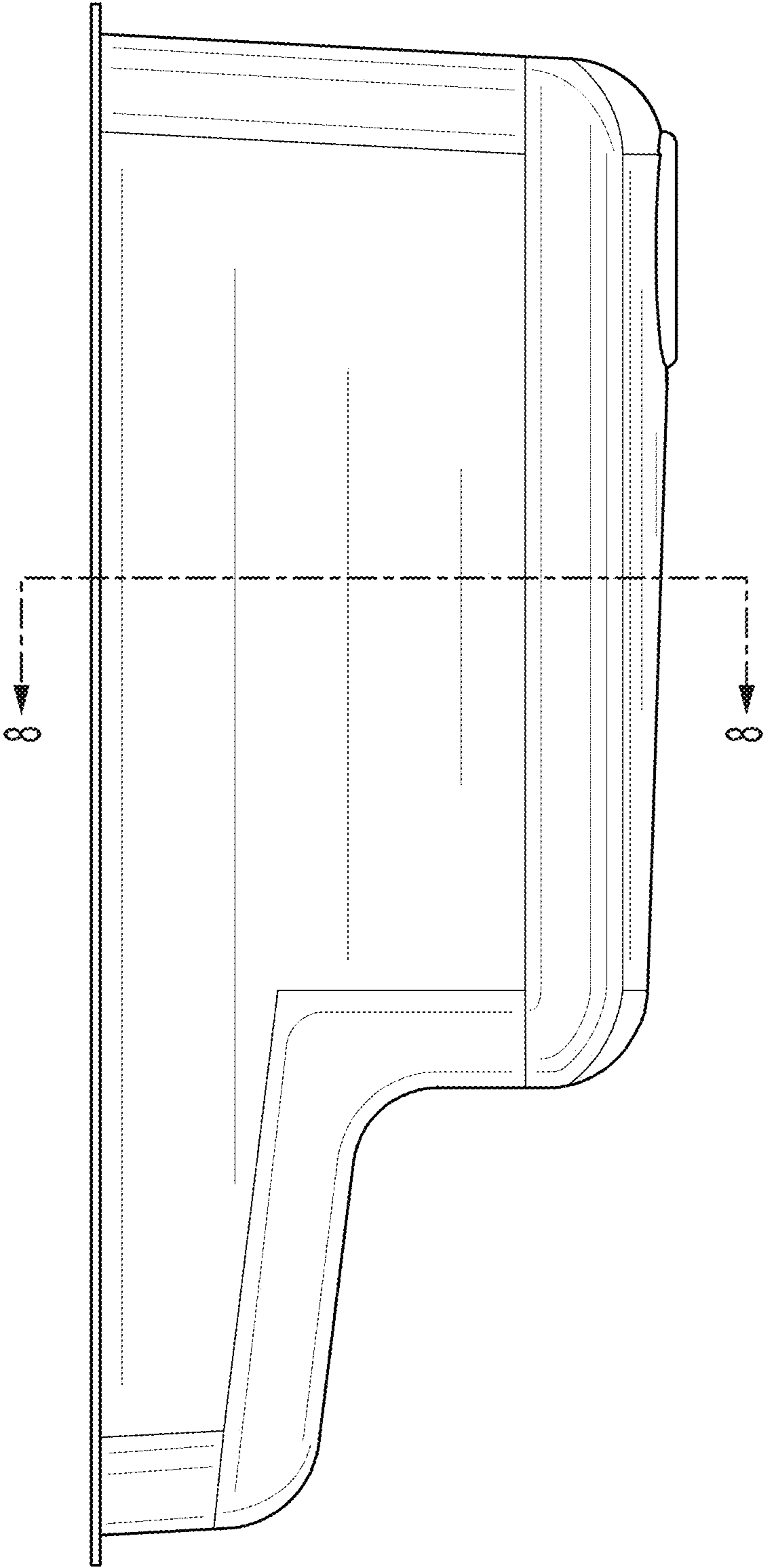


FIG. 4

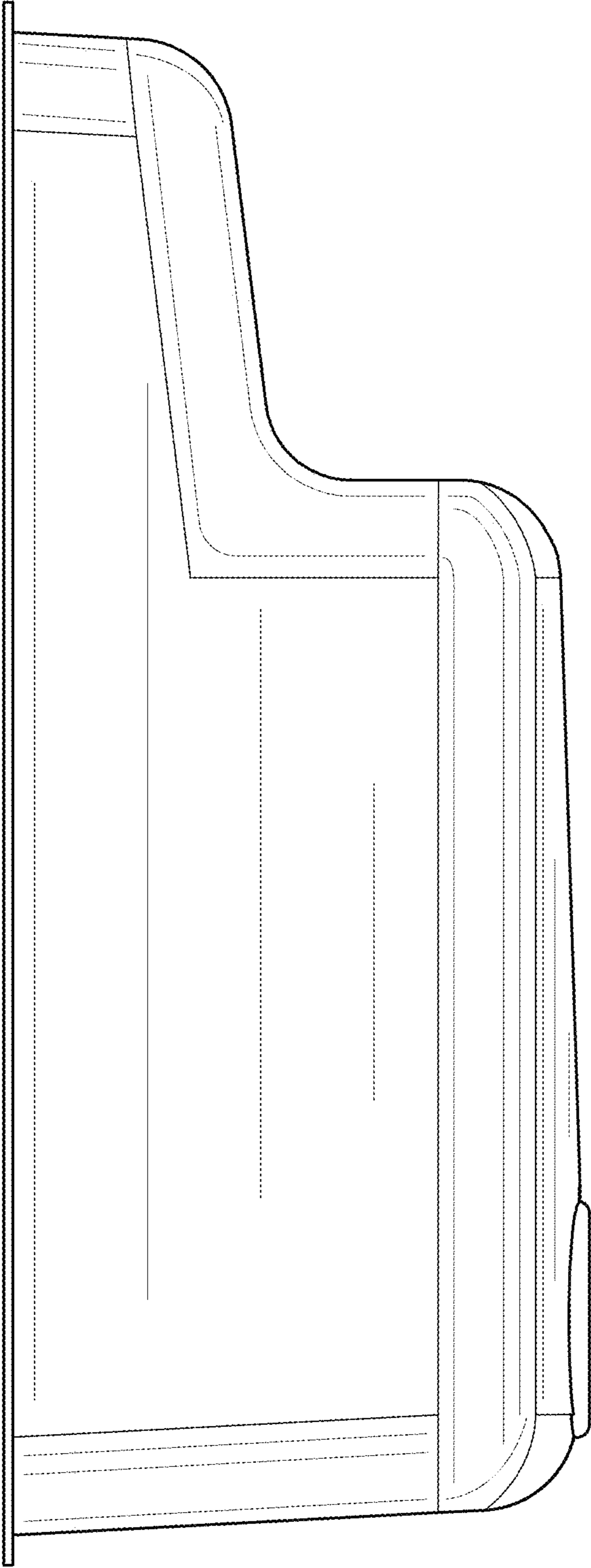


FIG. 5

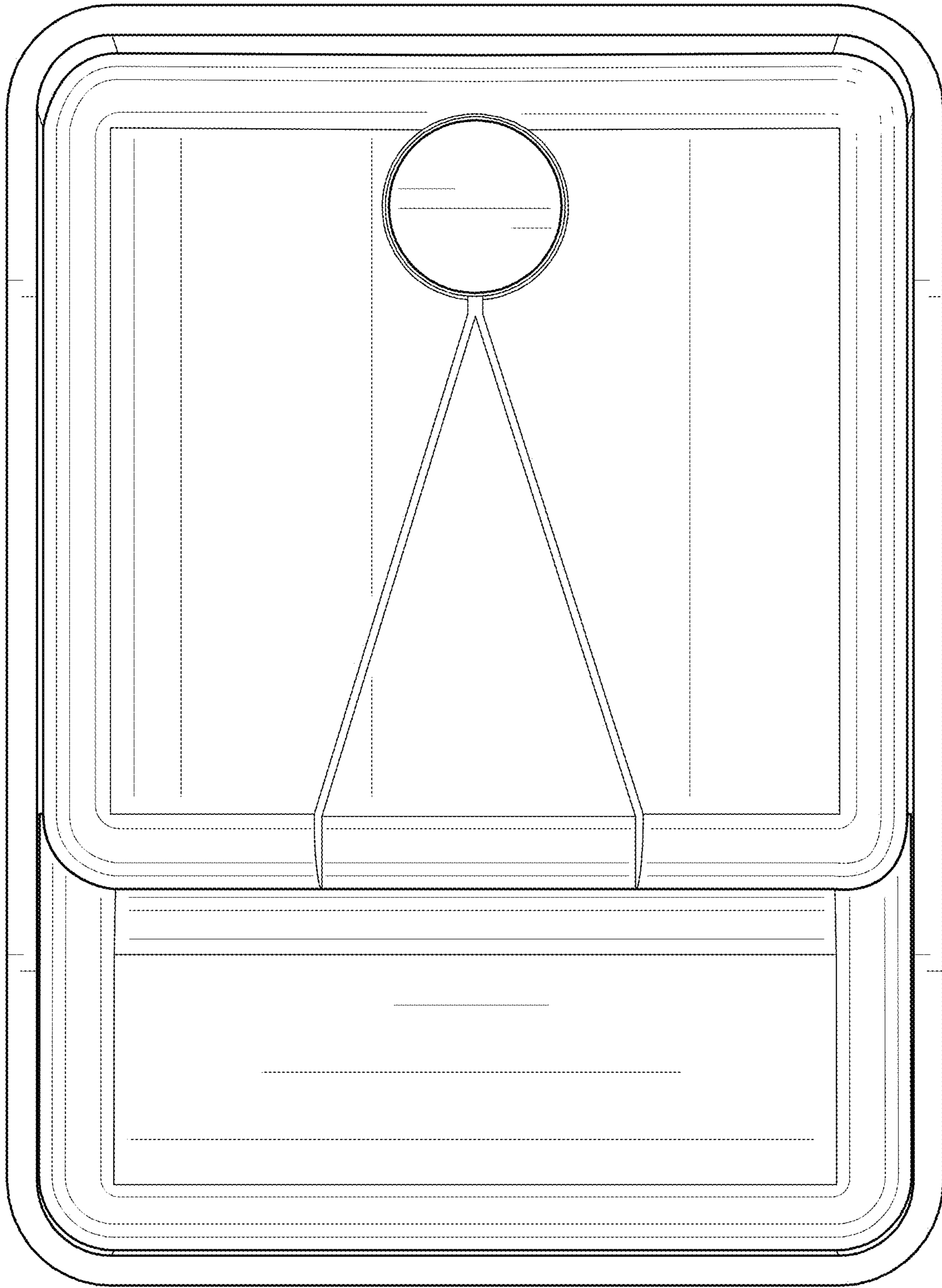


FIG. 6

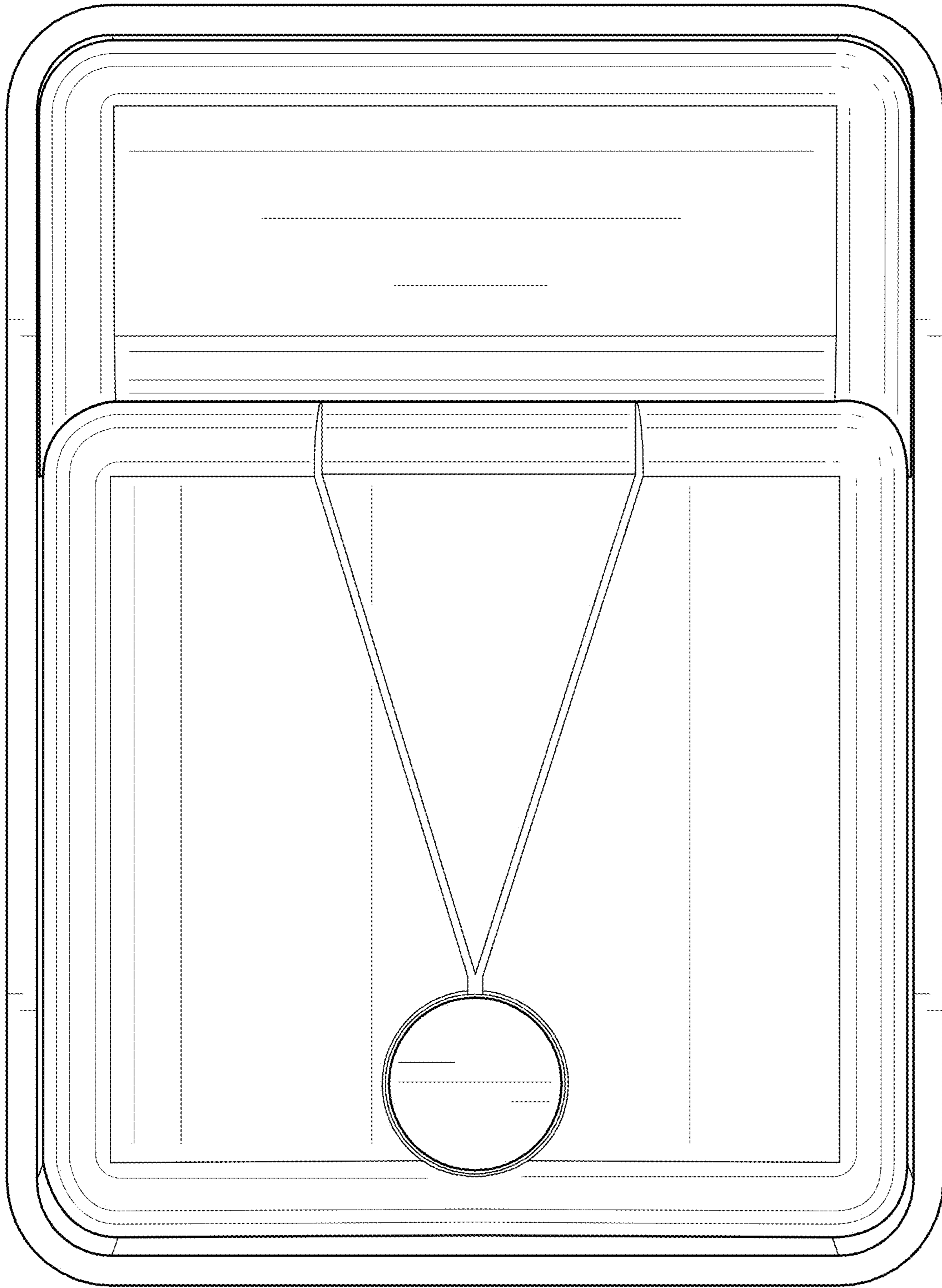


FIG. 7

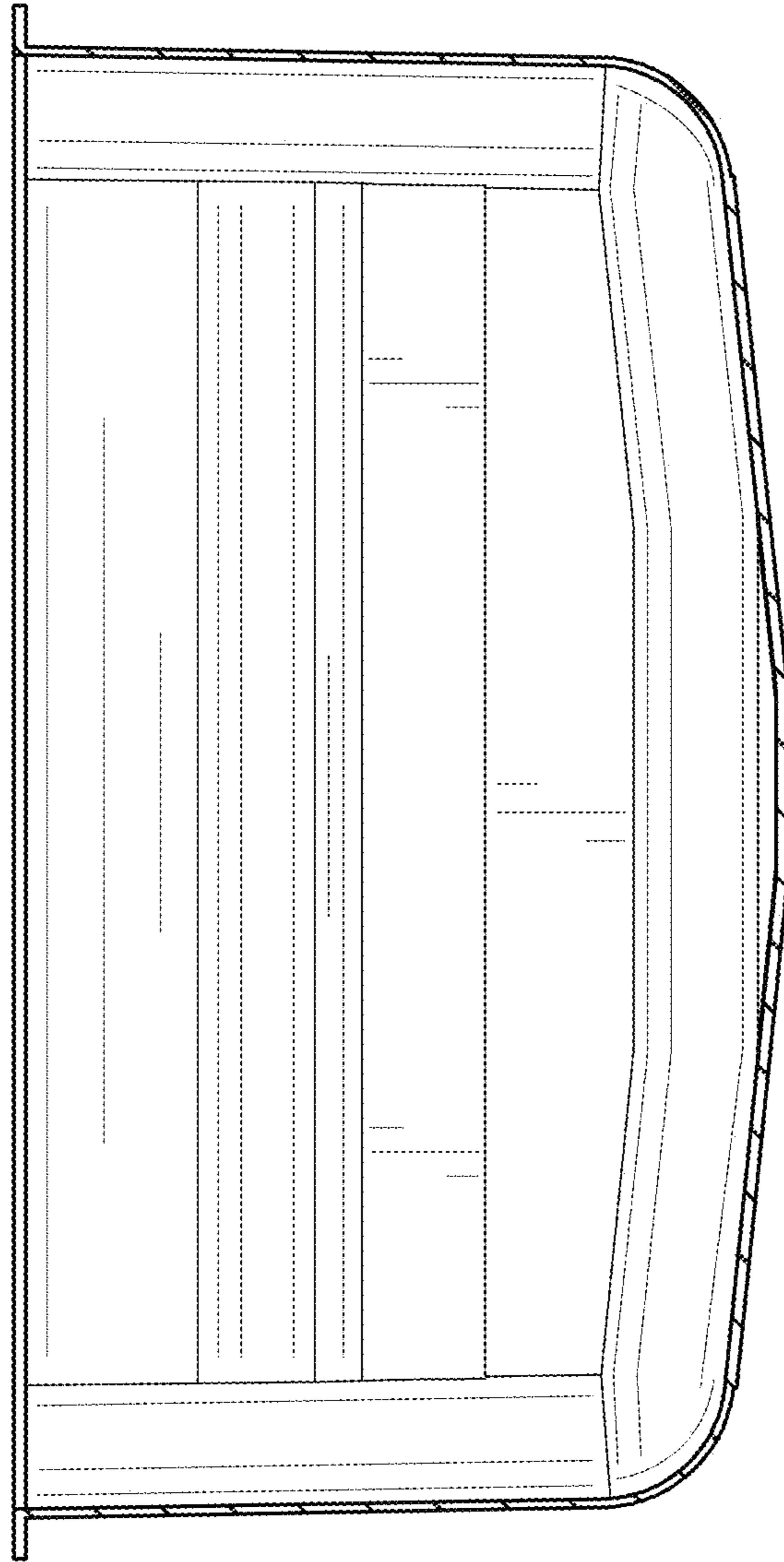


FIG. 8