



US00D877554S

(12) **United States Design Patent**  
**Joseph**

(10) **Patent No.:** **US D877,554 S**  
(45) **Date of Patent:** **\*\* Mar. 10, 2020**

(54) **POACHER**  
(71) Applicant: **JOSEPH JOSEPH LTD**, London (GB)  
(72) Inventor: **Antony Joseph**, London (GB)  
(73) Assignee: **JOSEPH JOSEPH, LTD.**, London (GB)

D470,006 S \* 2/2003 Cooper ..... D7/360  
D556,501 S \* 12/2007 Stewart ..... A23G 1/0076  
D7/354  
D604,989 S \* 12/2009 Chen ..... D7/360  
D812,433 S \* 3/2018 Kwok ..... D7/553.4  
D819,390 S \* 6/2018 Facquet ..... D7/359  
2018/0110244 A1\* 4/2018 de Martrin-Donos ..... A23L 15/00

(\*\*) Term: **15 Years**  
(21) Appl. No.: **29/639,623**  
(22) Filed: **Mar. 7, 2018**

(30) **Foreign Application Priority Data**

Sep. 7, 2017 (EM) ..... 004246585-0005  
(51) **LOC (12) Cl.** ..... **07-02**  
(52) **U.S. Cl.**  
USPC ..... **D7/354**  
(58) **Field of Classification Search**  
USPC ..... D7/323, 339, 352, 354-366, 396.1, 402, D7/409  
CPC .. A21B 3/00; A21B 3/13; A21B 3/131; A21B 3/132; A21B 3/135; A21B 3/136; A21B 3/137; A21B 3/15; A21B 5/00; A21B 5/02; A21B 5/04; A47J 27/00; A47J 37/00; A47J 37/01; A47J 37/04; A47J 37/06; A47J 37/10; A47J 37/0611; A47J 37/08; A47J 37/0807; A47J 37/0814; A47J 37/0835; A47J 37/0842; A47J 37/085; A47J 37/0864; A47J 37/0878; A47J 37/0885; A47J 37/0892; A47J 36/00; A47J 36/02; A47J 36/06; A47J 36/16; A47J 36/24; A47J 36/022; A47J 36/027; A47J 43/20

See application file for complete search history.

(56) **References Cited**

**U.S. PATENT DOCUMENTS**

4,764,391 A \* 8/1988 Wasserman ..... A47G 19/12 220/578  
D411,709 S \* 6/1999 Curtis ..... D7/387

**OTHER PUBLICATIONS**

Poach-Pro™ Egg Poachers, reviewed Jan. 18, 2018 [online], retrieved Jul. 4, 2019, retrieved from internet, [https://www.josephjoseph.com/en-us/poach-pro.\\*](https://www.josephjoseph.com/en-us/poach-pro.*)

(Continued)

*Primary Examiner* — Barbara Fox  
*Assistant Examiner* — Messina L Smith  
(74) *Attorney, Agent, or Firm* — Millen, White, Zelano & Branigan, PC; Ryan Pool

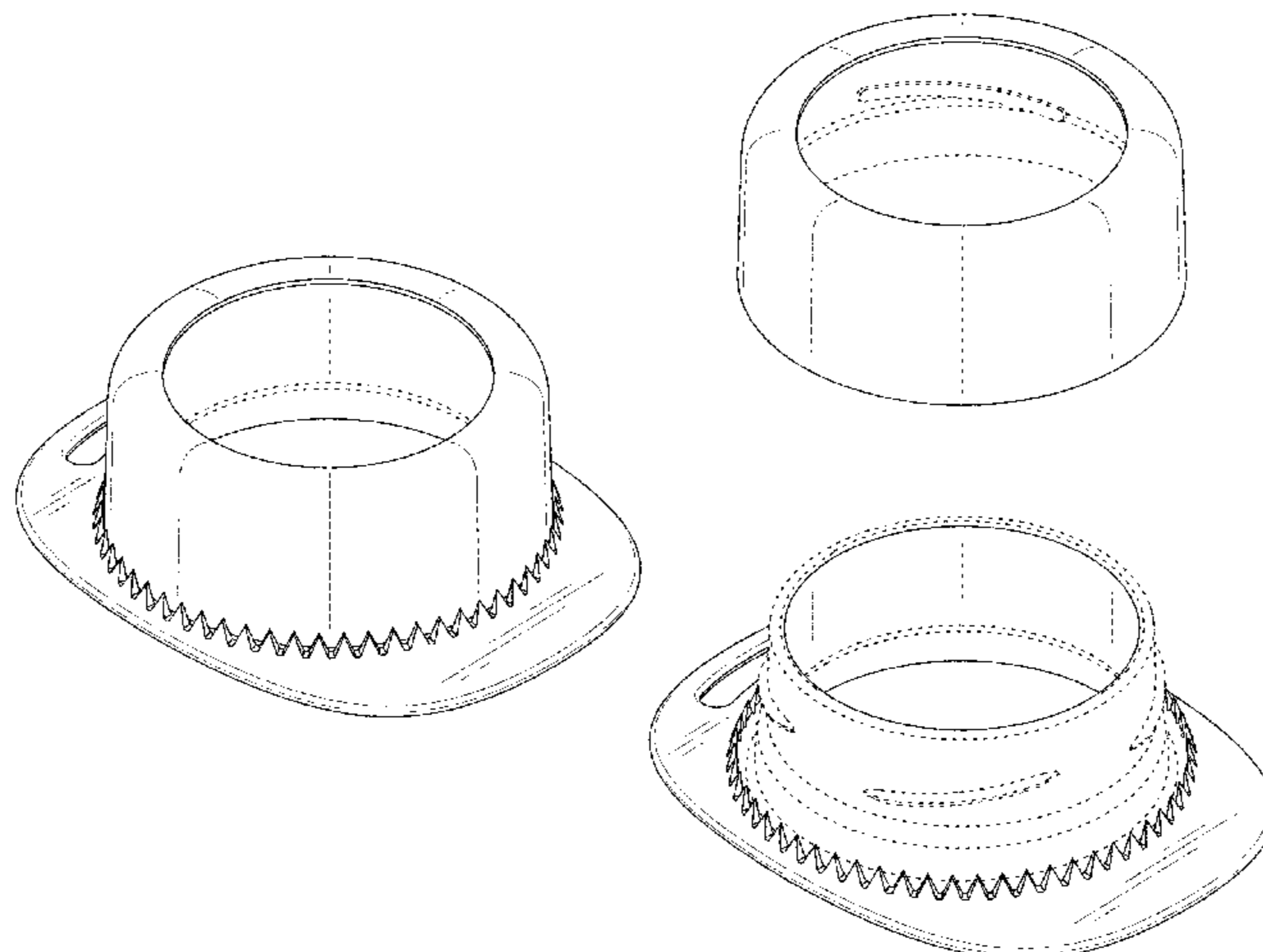
(57) **CLAIM**

The ornamental design for a poacher, as shown and described.

**DESCRIPTION**

FIG. 1 is a top perspective view of a poacher showing my new design.  
FIG. 2 is a side view thereof.  
FIG. 3 is another side view thereof.  
FIG. 4 is another side view thereof.  
FIG. 5 is another side view thereof.  
FIG. 6 is top view thereof.  
FIG. 7 is a bottom view thereof.  
FIG. 8 is a top exploded perspective view thereof; and, FIG. 9 is a top exploded perspective view thereof.  
The broken lines in the drawings depict portions of the poacher that form no part of the claimed design.

**1 Claim, 9 Drawing Sheets**



(56)

**References Cited**

OTHER PUBLICATIONS

Joseph Joseph 20113 Poach-Pro Egg Poacher Mess-Free Tool, posted Feb. 16, 2018 [online], retrieved Jul. 4, 2019, retrieved from internet, [https://www.amazon.com/Joseph-20113-Poach-Pro-Poacher-Mess-Free/dp/B078T11S9V/ref=pd\\_sim\\_79\\_5/139-9291472-6399852?\\_encoding=UTF8&pd\\_rd\\_i=B078T11S9V&pd\\_rd\\_r=2d14a82c-9e88-11e9-](https://www.amazon.com/Joseph-20113-Poach-Pro-Poacher-Mess-Free/dp/B078T11S9V/ref=pd_sim_79_5/139-9291472-6399852?_encoding=UTF8&pd_rd_i=B078T11S9V&pd_rd_r=2d14a82c-9e88-11e9-).\*

\* cited by examiner

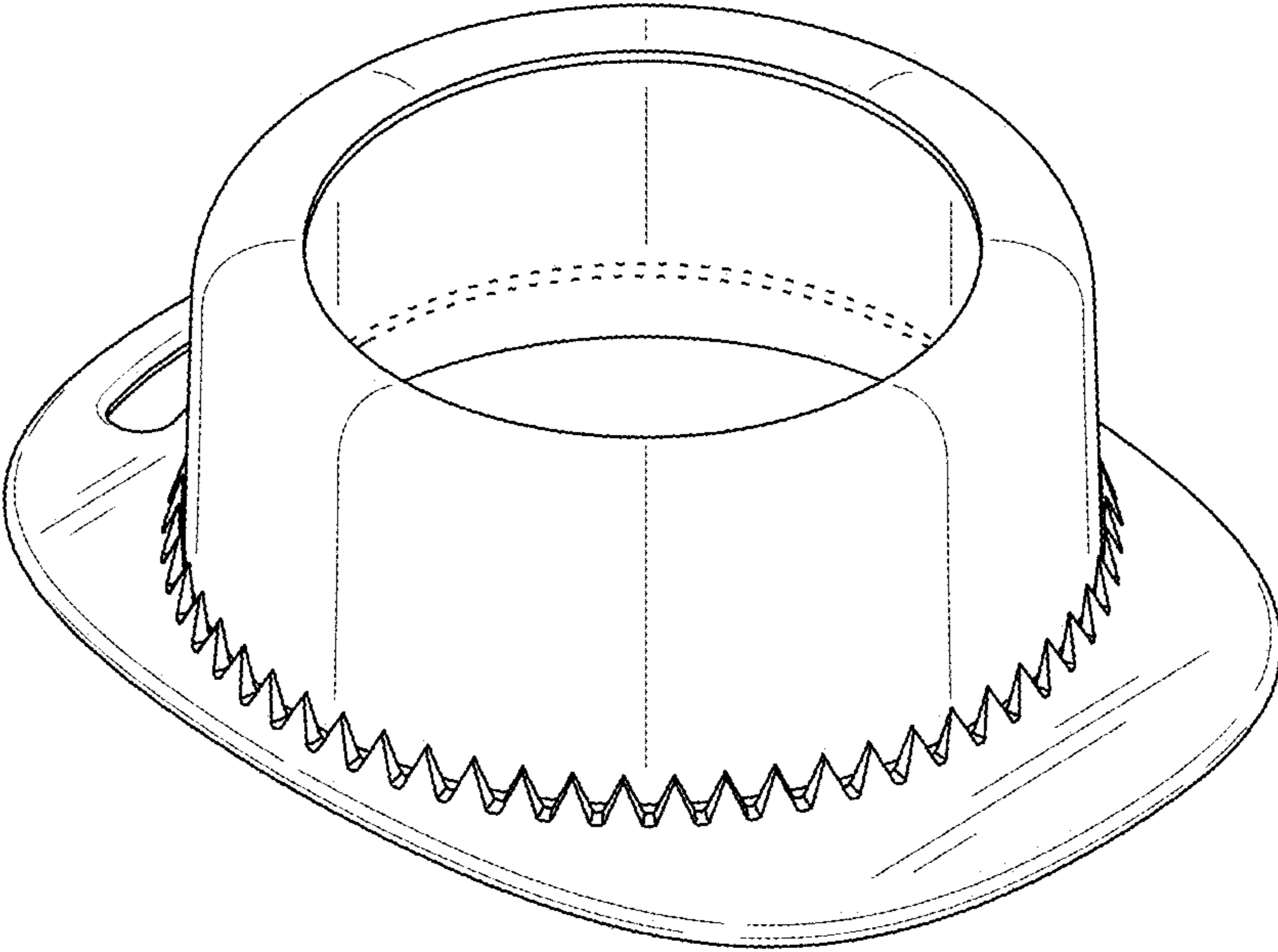


FIG. 1

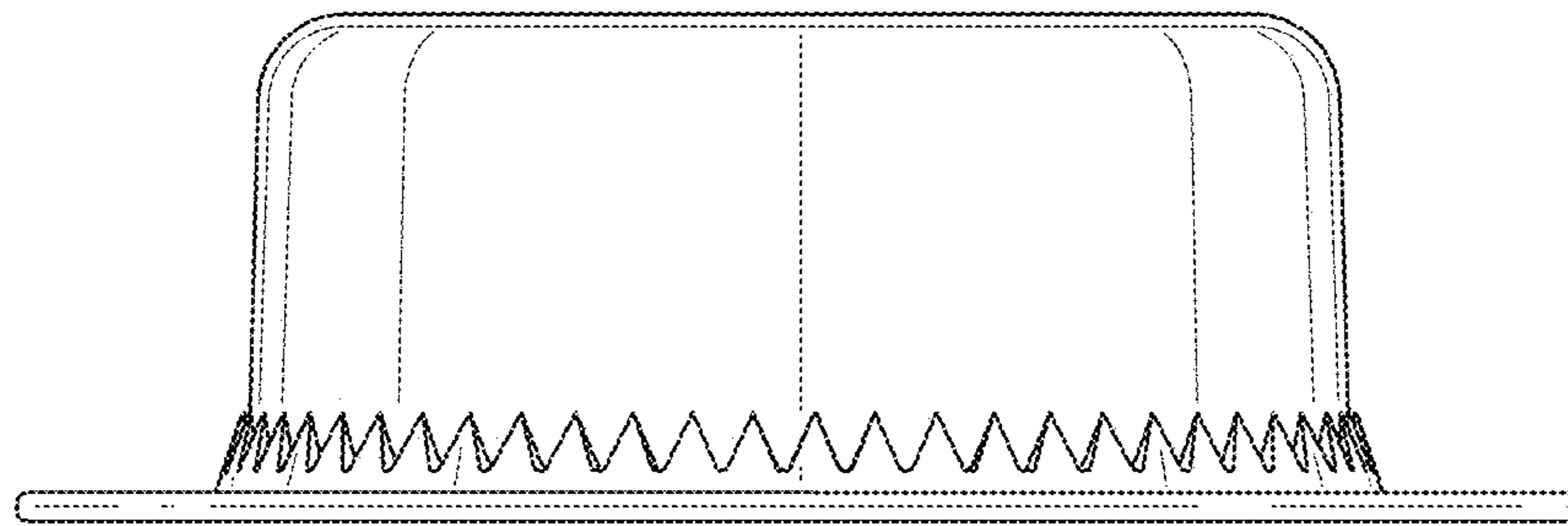


FIG. 2

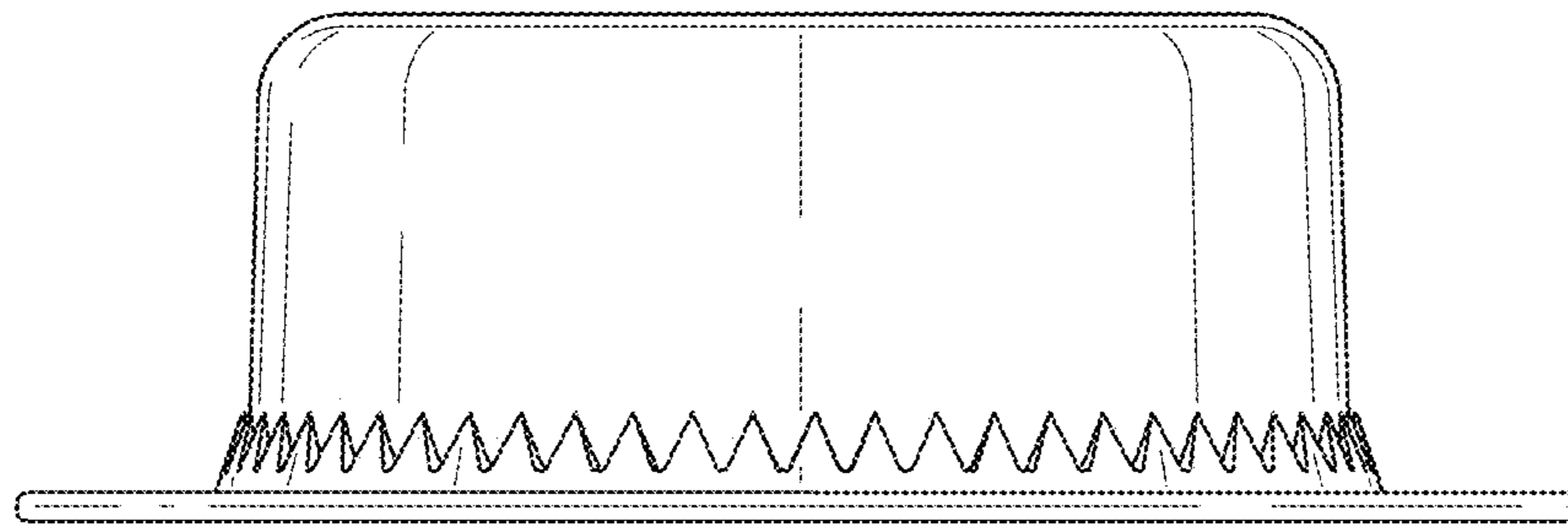


FIG. 3

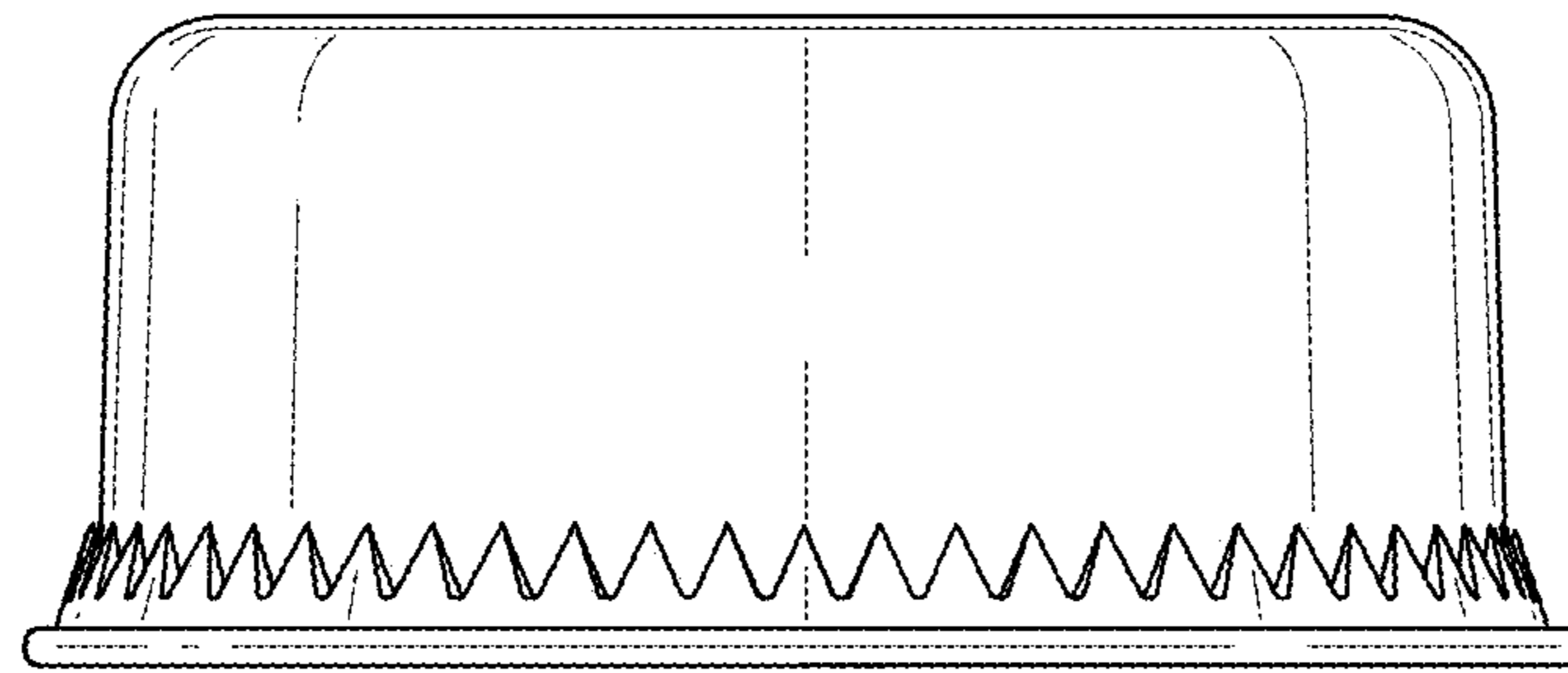


FIG. 4

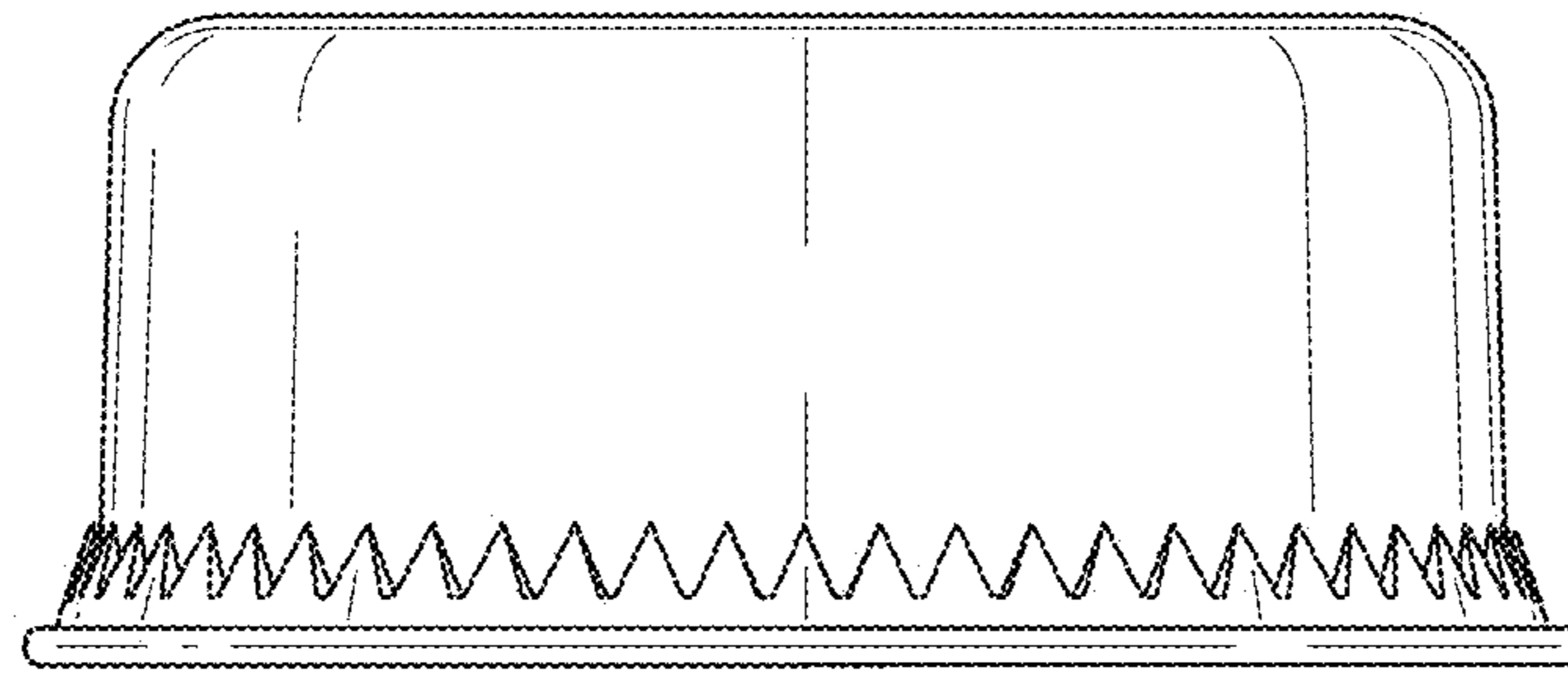


FIG. 5

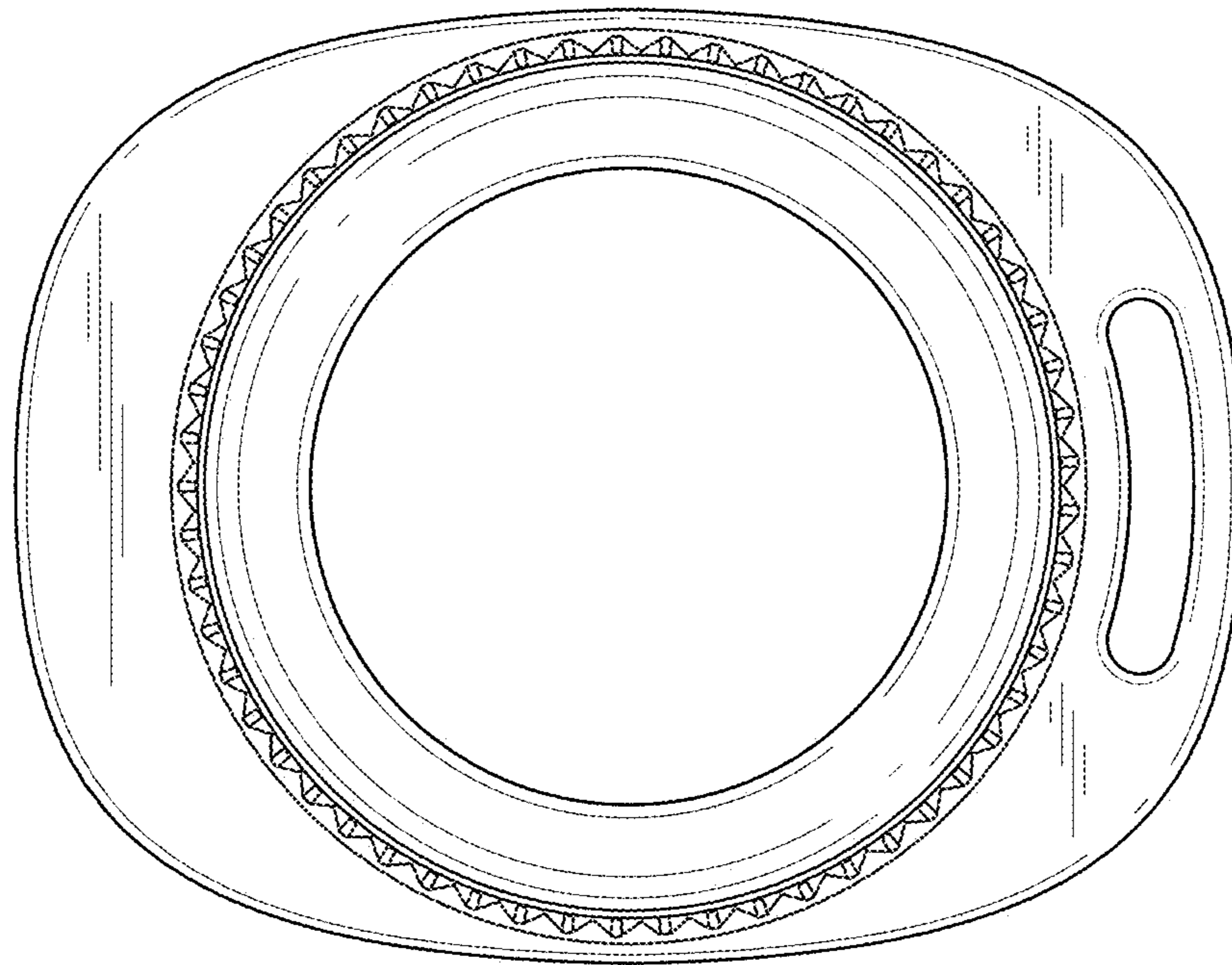


FIG. 6



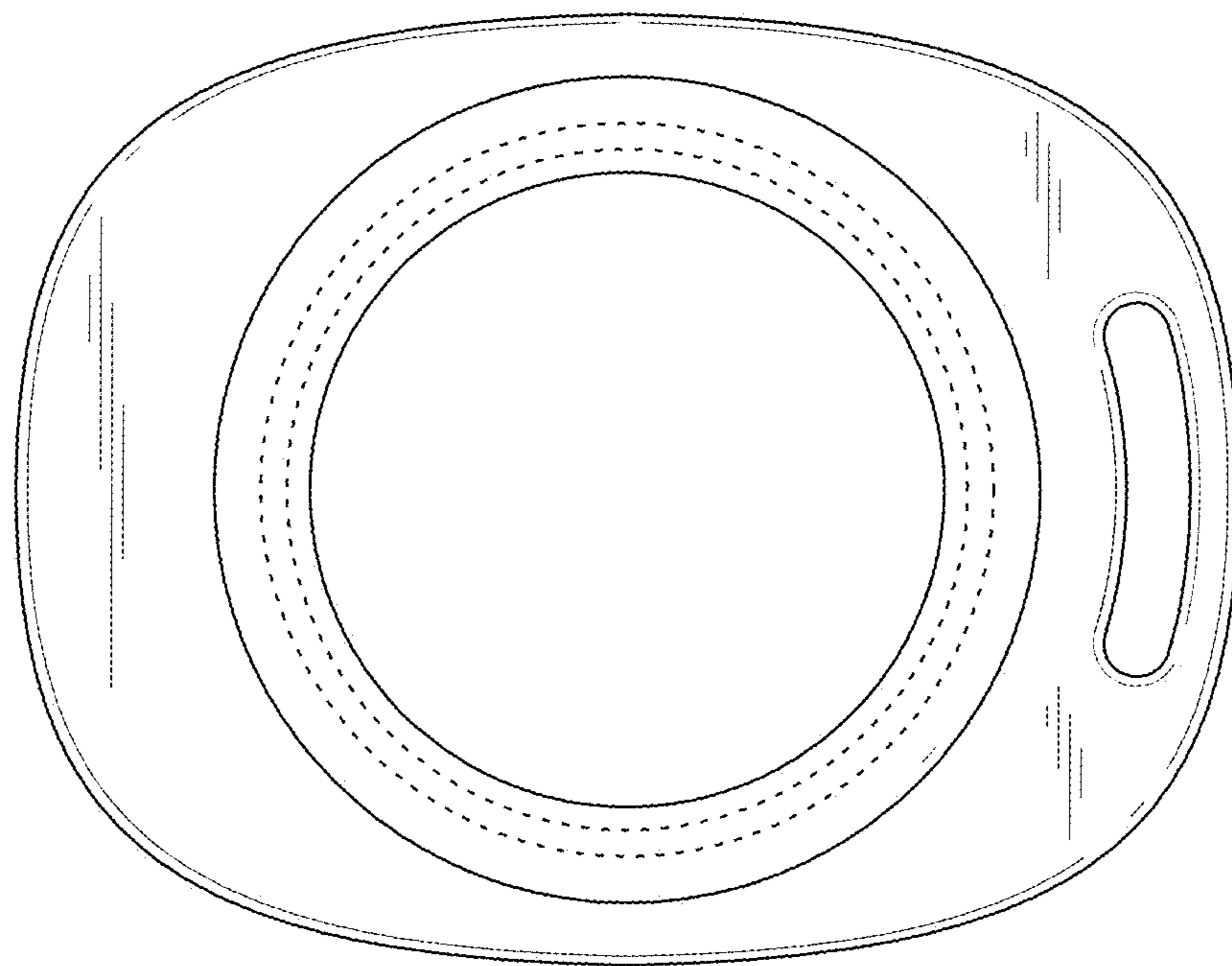


FIG. 7

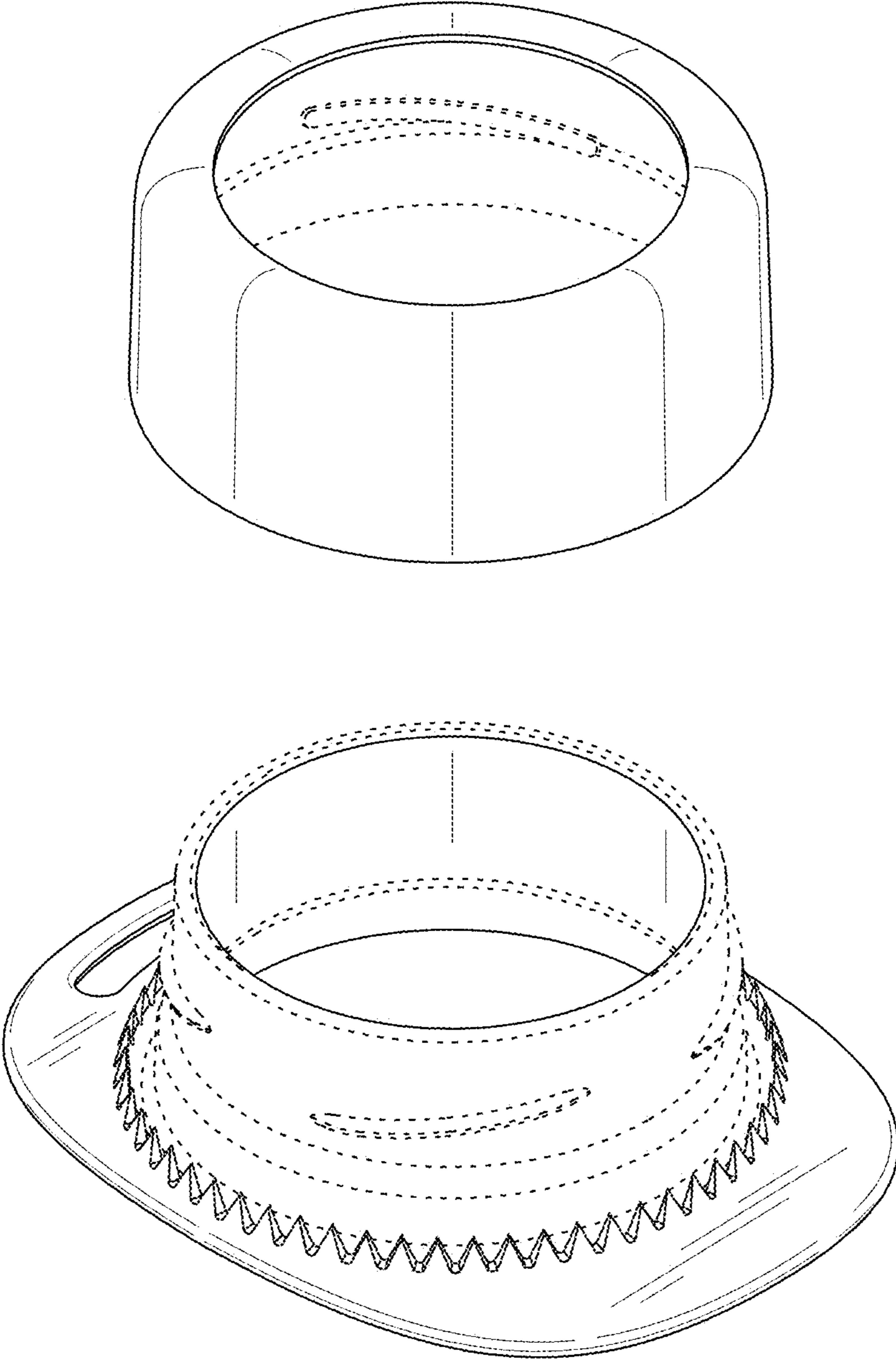


FIG. 8

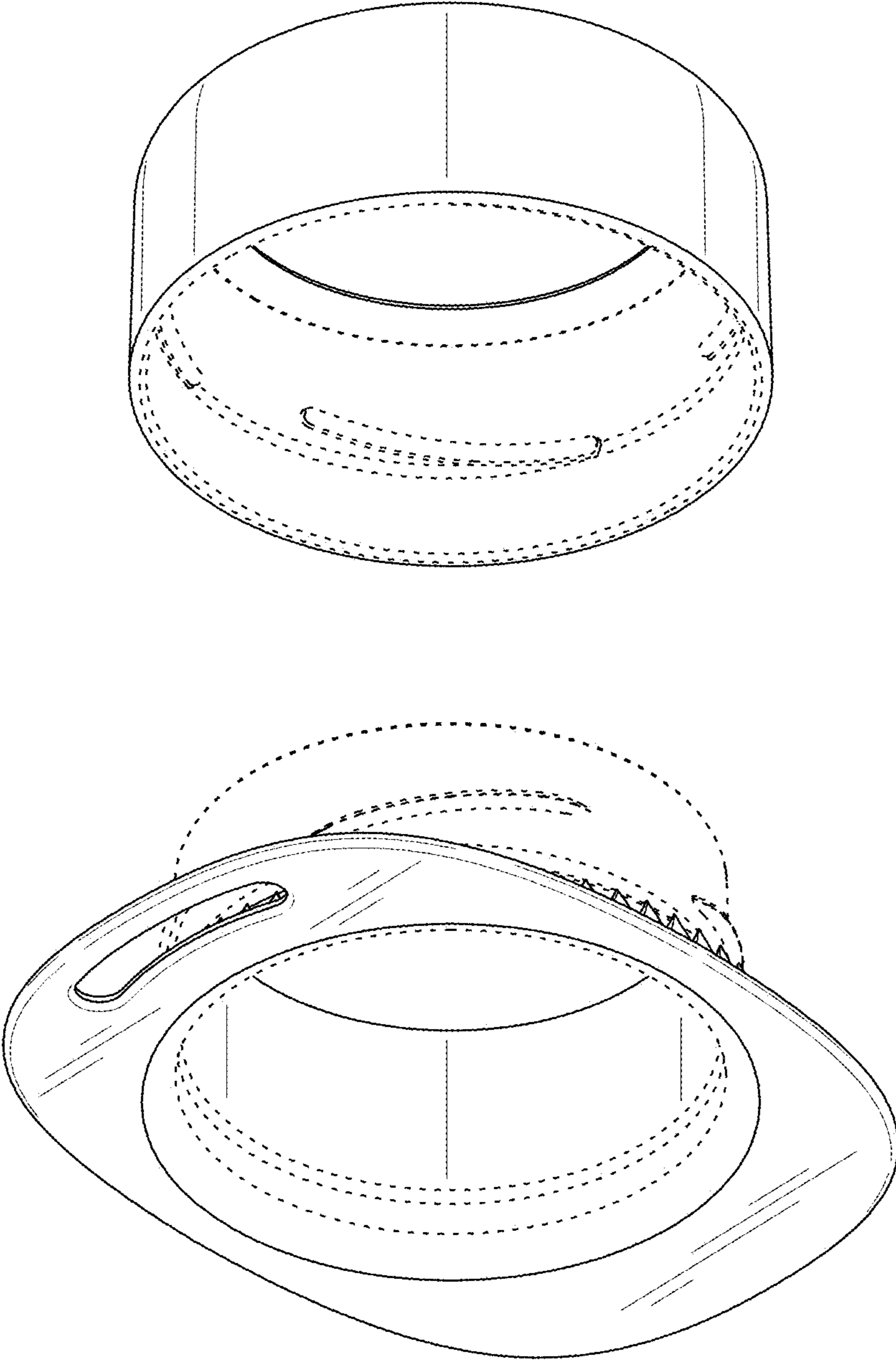


FIG. 9