



US00D877553S

(12) **United States Design Patent**
Jordan

(10) **Patent No.:** **US D877,553 S**
(45) **Date of Patent:** **** Mar. 10, 2020**

- (54) **ROTISSERIE GRILL COOKER**
- (71) Applicant: **Kenneth Ellis Jordan**, Citronelle, AL (US)
- (72) Inventor: **Kenneth Ellis Jordan**, Citronelle, AL (US)
- (**) Term: **15 Years**
- (21) Appl. No.: **29/656,113**
- (22) Filed: **Jul. 10, 2018**

- 7,063,006 B1 * 6/2006 Spehle A47J 33/00
126/25 A
- D577,946 S * 10/2008 Carroll D7/336
- D582,197 S * 12/2008 Parmelee D7/335
- D592,443 S * 5/2009 Fraser D7/335
- 7,980,241 B1 * 7/2011 White A47J 33/00
126/25 A
- 8,375,847 B1 * 2/2013 Anganes A47J 37/1219
126/25 A
- D718,081 S * 11/2014 Rinderle D7/332
- D734,975 S * 7/2015 Troyer, Jr. D7/332
- D844,359 S * 4/2019 Hofer D7/332
- 2004/0144379 A1 * 7/2004 Lewis A47J 33/00
126/30
- 2008/0271725 A1 * 11/2008 Parmelee F24B 1/205
126/30
- 2014/0209084 A1 * 7/2014 Cole A47J 33/00
126/30
- 2015/0201798 A1 * 7/2015 Begotka A47J 33/00
426/523
- 2015/0285507 A1 * 10/2015 Troyer, Jr. A47J 33/00
126/30

Related U.S. Application Data

- (63) Continuation-in-part of application No. 16/031,631, filed on Jul. 10, 2018.
- (51) **LOC (12) Cl.** **07-02**
- (52) **U.S. Cl.**
USPC **D7/332; D7/338**
- (58) **Field of Classification Search**
USPC D7/332-337, 402-409, 339, 348, 347,
D7/323, 338, 331; 126/25 R, 30, 9 R,
126/25 A; D23/343, 348
CPC A47J 37/07-0786; A47J 33/00; A47J
2037/0777; A47J 2037/0795; A47J
37/0658; A47J 37/0623; A23B
4/044-056; F24B 1/202-205
See application file for complete search history.

(56) **References Cited**

U.S. PATENT DOCUMENTS

- 5,406,931 A * 4/1995 Montgomery A47J 33/00
126/29
- D369,939 S * 5/1996 Gibbs D7/332
- 5,908,026 A * 6/1999 Forst A47J 37/0763
126/25 AA
- 6,868,849 B1 * 3/2005 Endres A47J 37/0763
126/25 A

(Continued)

Primary Examiner — Brett Miller

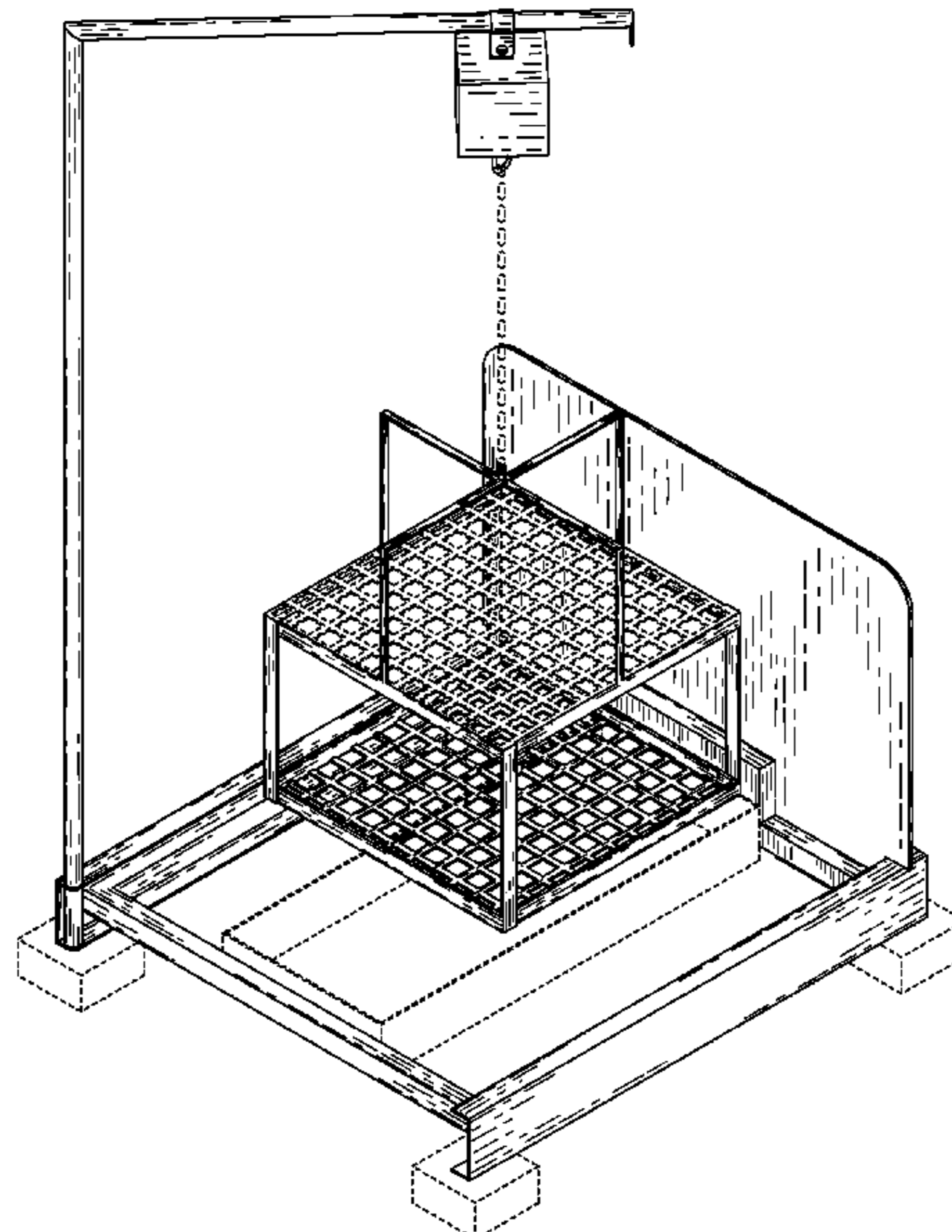
(57) **CLAIM**

The ornamental design for a rotisserie grill cooker, as shown and described.

DESCRIPTION

FIG. 1 is a front-top-right perspective view of the rotisserie grill cooker showing my new design; FIG. 2 is a front-plan view thereof; FIG. 3 is a back-plan view thereof; FIG. 4 is a left-side view thereof; FIG. 5 is a right-side view thereof; FIG. 6 is a top elevation view thereof; and, FIG. 7 is a bottom elevation view thereof. The broken lines in FIGS. 1-7 are included for the purpose of showing environmental structure and form no part of the claimed design.

1 Claim, 7 Drawing Sheets



(56)

References Cited

U.S. PATENT DOCUMENTS

2018/0263416 A1* 9/2018 Marlett A47J 37/0745
2019/0231144 A1* 8/2019 Cook A47J 37/0786

* cited by examiner

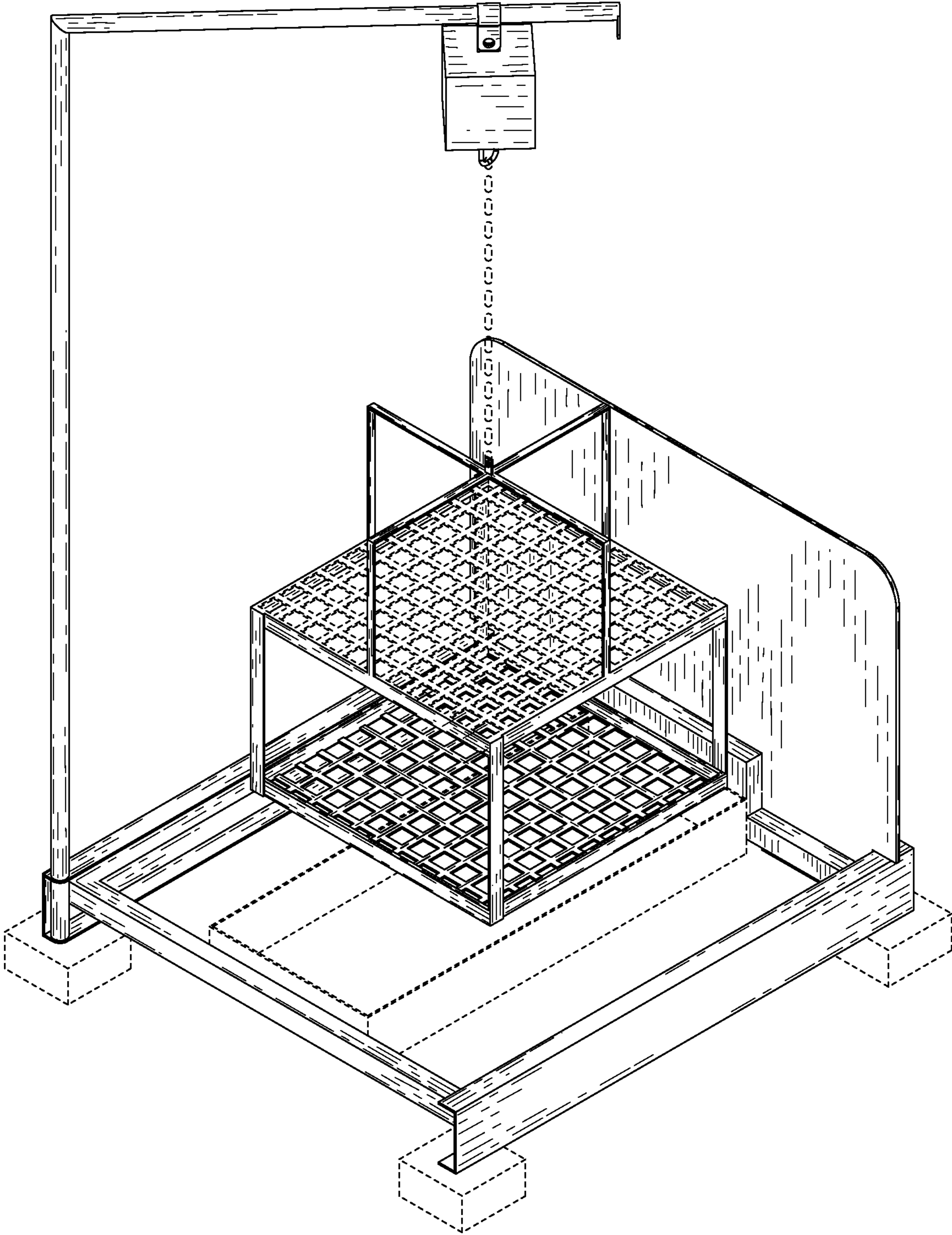


FIG. 1

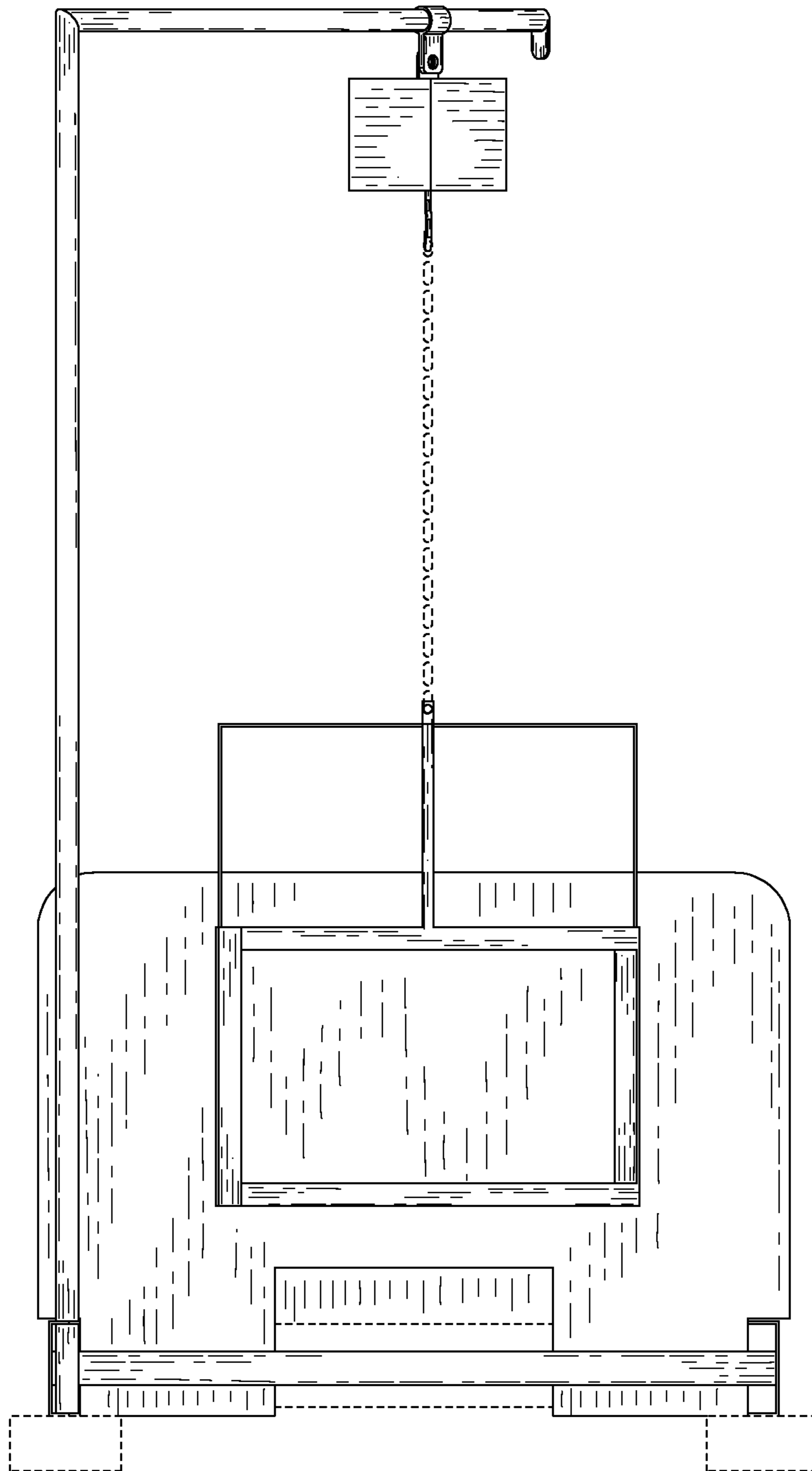


FIG. 2

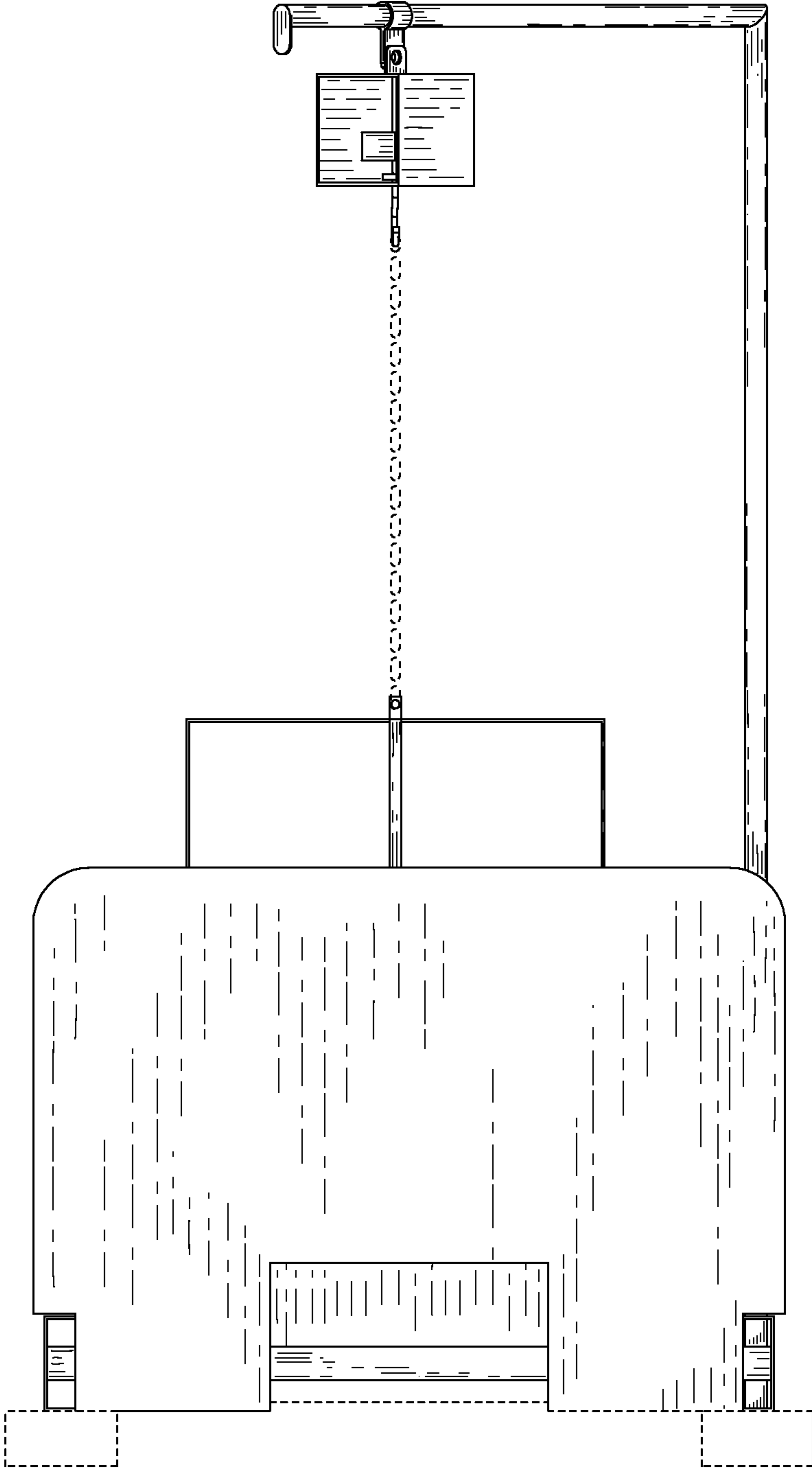


FIG. 3

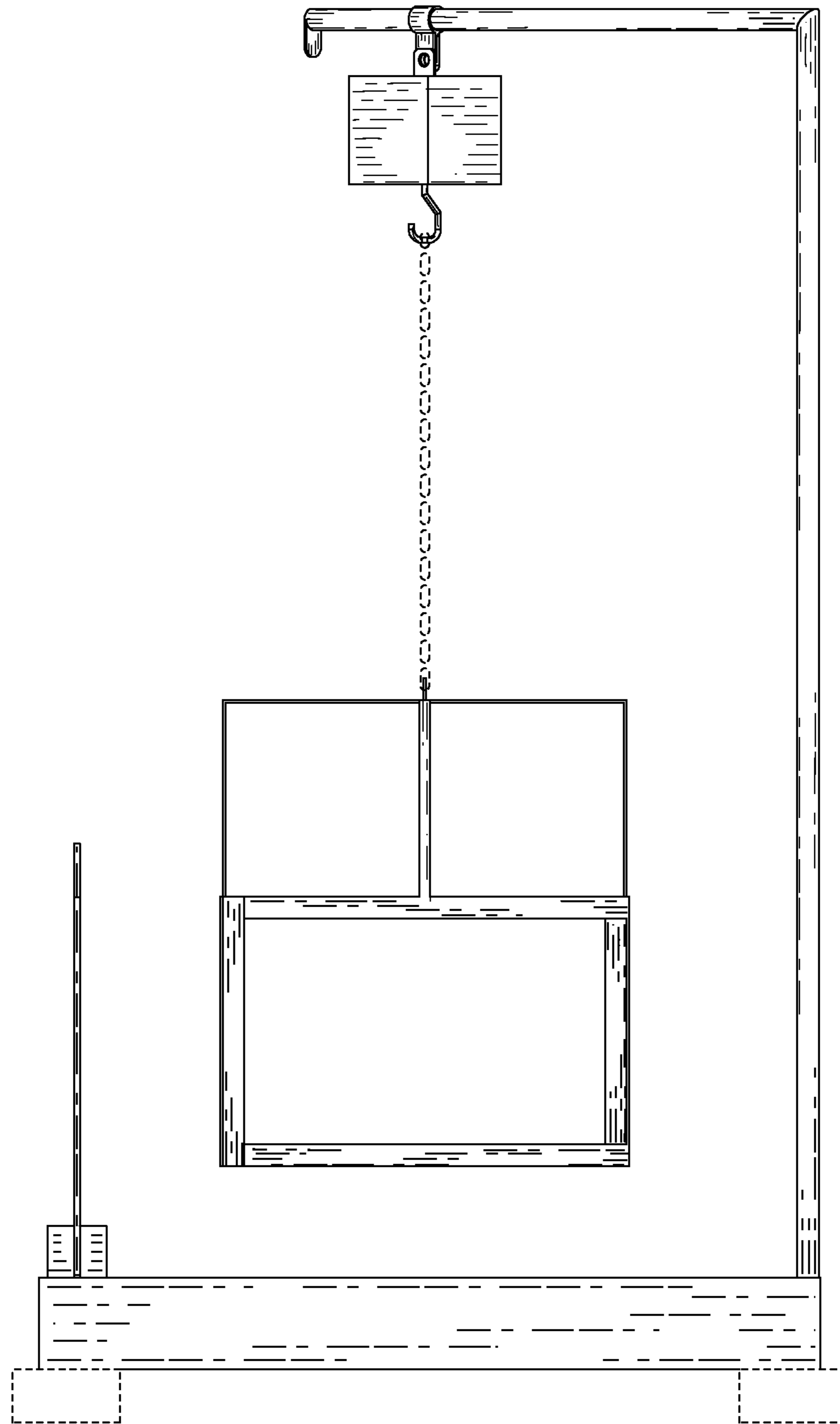


FIG. 4

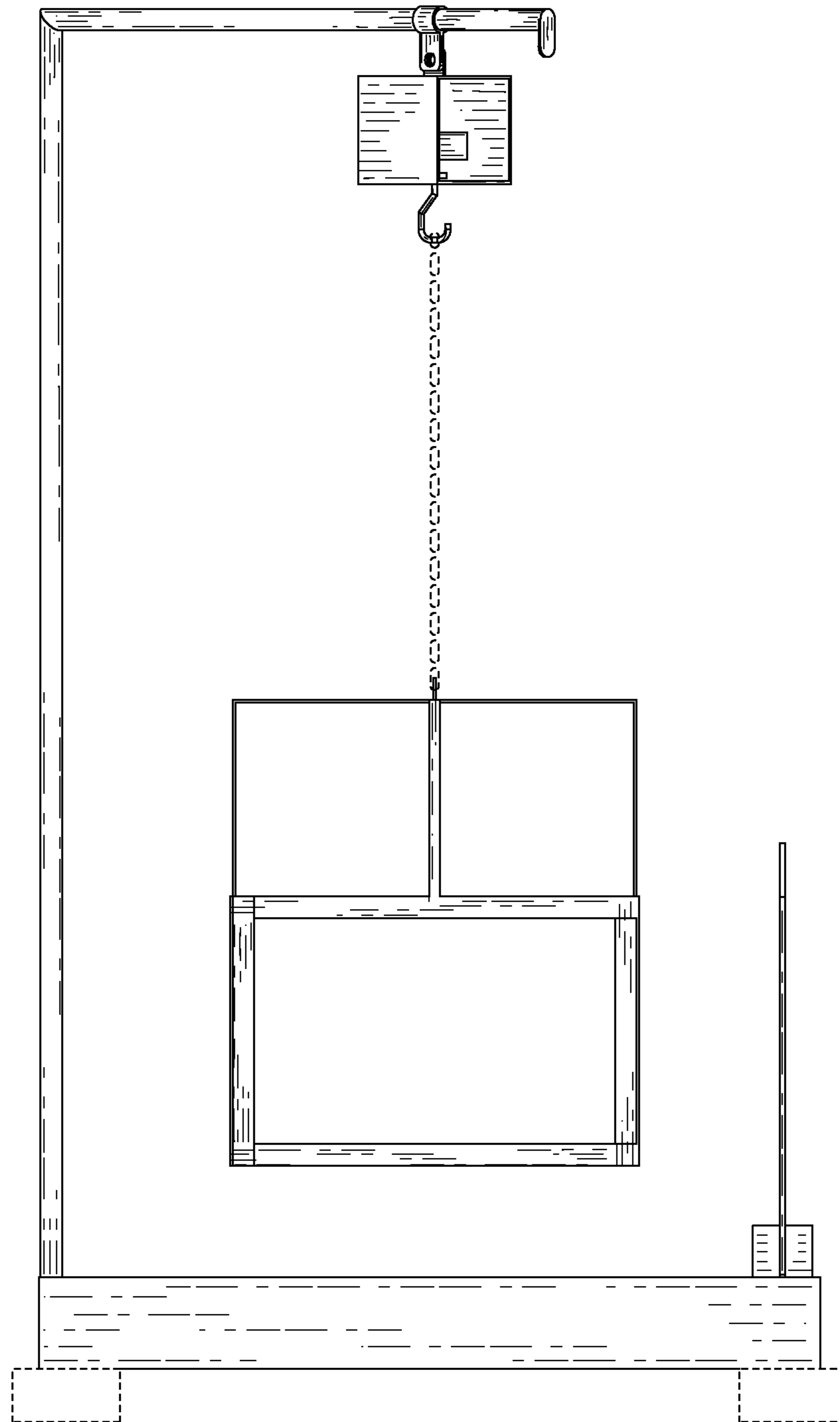


FIG. 5

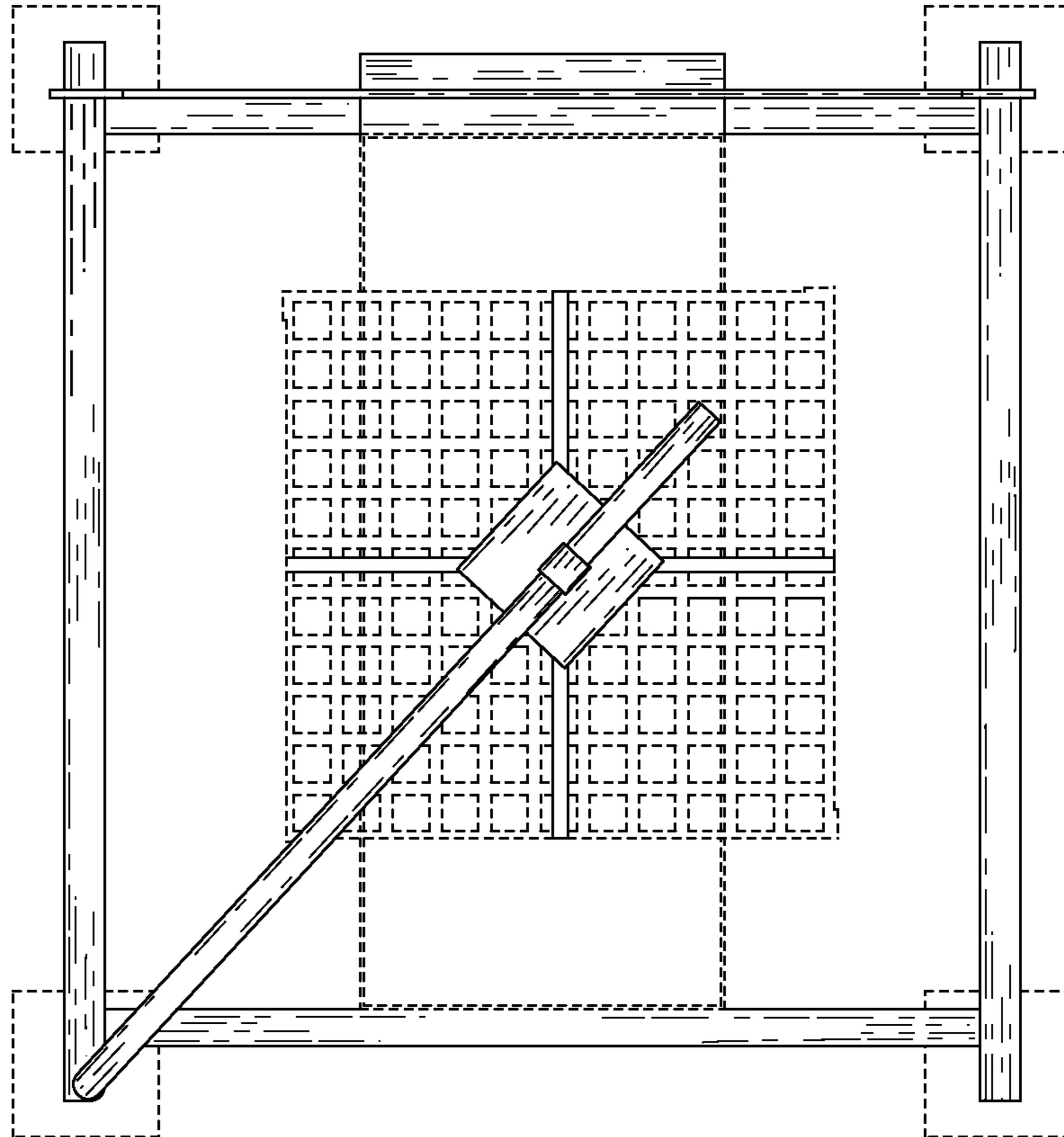


FIG. 6

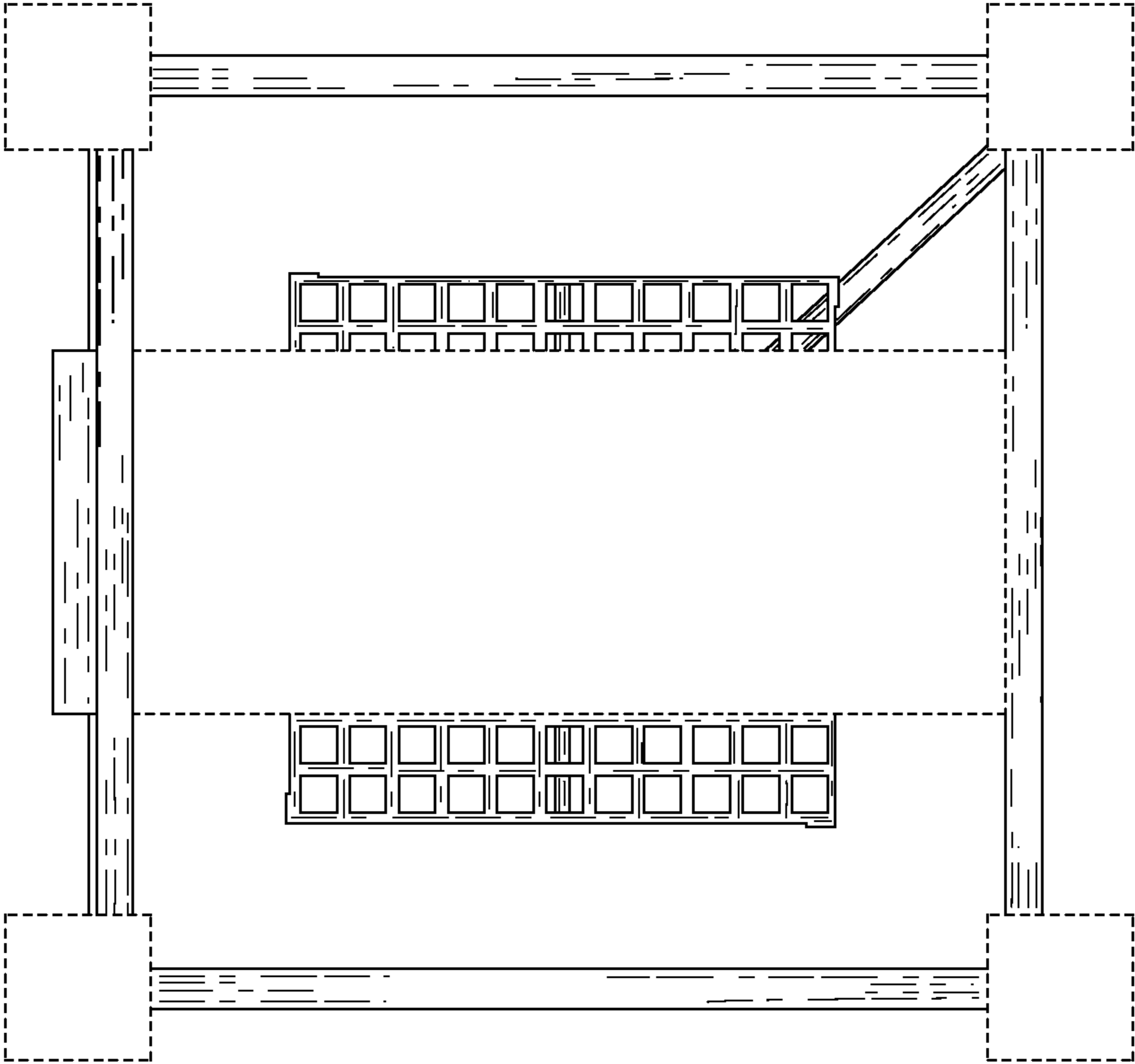


FIG. 7