



US00D877551S

(12) **United States Design Patent**
Nalen et al.

(10) **Patent No.:** **US D877,551 S**
(45) **Date of Patent:** **** Mar. 10, 2020**

(54) **BEVERAGE MACHINE**

D409,875 S * 5/1999 Alonge D7/309
D414,647 S * 10/1999 Driscoll D7/309
D496,553 S * 9/2004 Bodum D7/309

(71) Applicant: **Keurig Green Mountain, Inc.**,
Waterbury, VT (US)

(Continued)

(72) Inventors: **Steve James Nalen**, Winthrop, MA
(US); **Sam Murray Chud**, Waban, MA
(US); **Peter David Cauwood**,
Cambridge (GB); **Iain James**
Sabberton, Cambridge (GB); **Keir S.**
Jackson, Cambridge (GB)

OTHER PUBLICATIONS

[No Author Listed] Image of Breville BKC600XL. Publicly avail-
able prior to Feb. 5, 2018. 1 page.

(73) Assignee: **Keurig Green Mountain, Inc.**,
Burlington, MA (US)

Primary Examiner — Marianne N Pandozzi
(74) *Attorney, Agent, or Firm* — Wolf, Greenfield &
Sacks, P.C.

(**) Term: **15 Years**

(57) **CLAIM**

The ornamental design for a beverage machine, as shown
and described.

(21) Appl. No.: **29/635,984**

DESCRIPTION

(22) Filed: **Feb. 5, 2018**

(51) **LOC (12) Cl.** **07-01**

(52) **U.S. Cl.**
USPC **D7/306; D7/309; D7/311**

(58) **Field of Classification Search**
USPC D7/300, 309–311, 306–308, 305, 397,
D7/355, 362, 365, 367, 399; 222/146.6,
222/185.1, 135; 99/295, 273, 304, 288,
99/279, 307, 283
CPC A47J 31/02; A47J 31/407; A47J 31/50;
A47J 31/18; A47J 31/061; A47J 27/04;
A47J 31/0573; A47J 31/52; A47J
31/3633; Y10T 74/18296
See application file for complete search history.

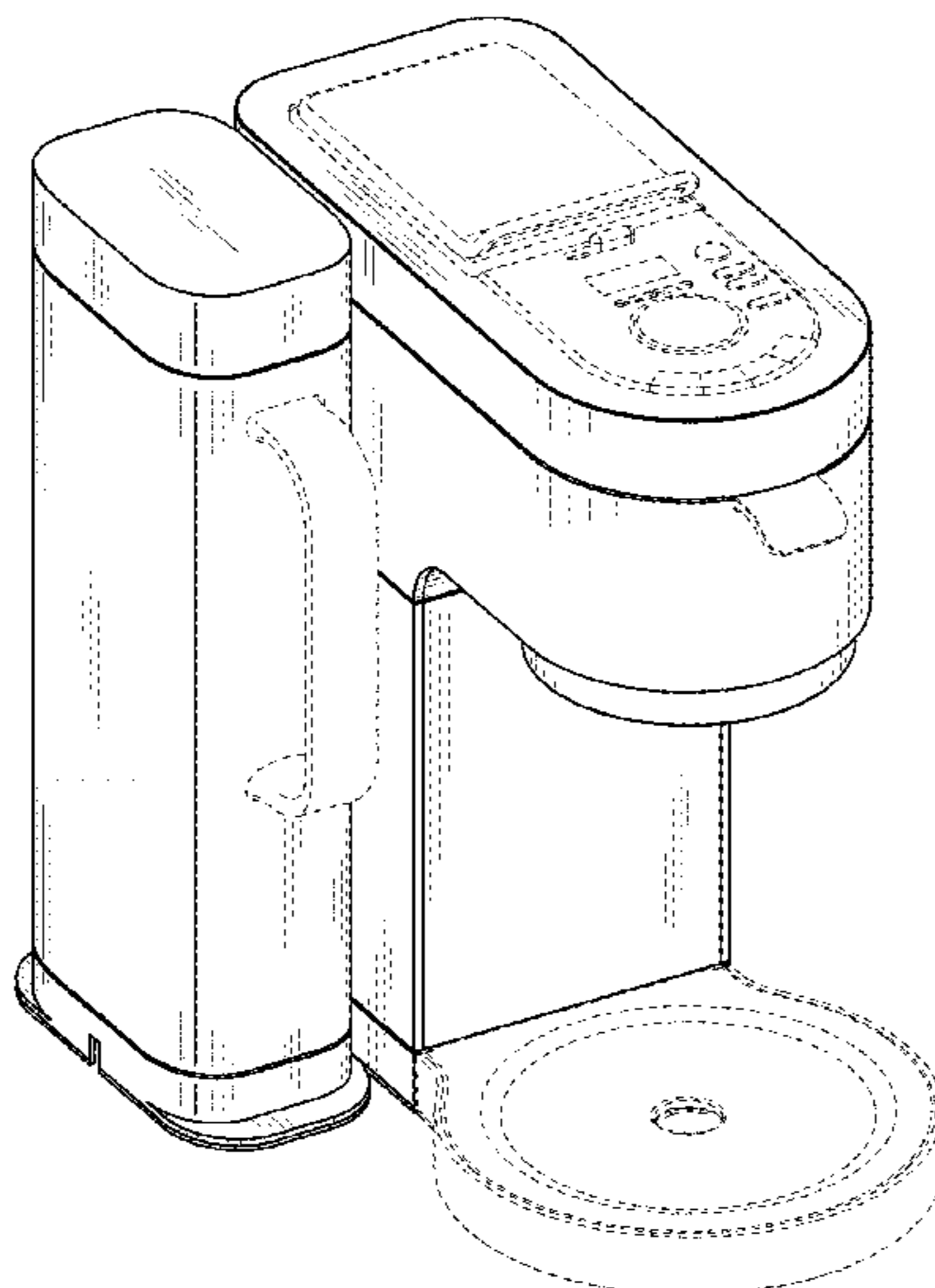
FIG. 1 is a top, front, left side perspective view of a beverage
machine showing a first embodiment of our new design;
FIG. 2 is a left side elevation view thereof;
FIG. 3 is a front elevation view thereof;
FIG. 4 is a right side elevation view thereof;
FIG. 5 is a rear elevation view thereof;
FIG. 6 is a top plan view thereof;
FIG. 7 is a bottom plan view thereof;
FIG. 8 is a top, front, right side perspective view thereof;
FIG. 9 is a top, front, right side perspective view of a
beverage machine showing a second embodiment of our
new design;
FIG. 10 is a left side elevation view thereof;
FIG. 11 is a front elevation view thereof;
FIG. 12 is a right side elevation view thereof;
FIG. 13 is a rear elevation view thereof;
FIG. 14 is a top plan view thereof;
FIG. 15 is a bottom plan view thereof; and,
FIG. 16 is a top, front, left side perspective view thereof.
The broken lines illustrate portions of the beverage machine
that form no part of the claimed design.

(56) **References Cited**

U.S. PATENT DOCUMENTS

D240,386 S * 7/1976 Stuetzer D7/309
4,721,034 A * 1/1988 Shimomura A47J 31/047
99/280
D299,608 S * 1/1989 Knochner D7/309
D307,754 S * 5/1990 Osrow D15/82
D379,049 S * 5/1997 Amiel D7/305

1 Claim, 10 Drawing Sheets



(56)

References Cited

U.S. PATENT DOCUMENTS

D511,066 S *	11/2005	Garner	D7/309	D728,988 S *	5/2015	Warburton	D7/306
D514,371 S *	2/2006	Yang	D7/306	D736,025 S *	8/2015	Kestenbaum	D7/309
D552,402 S *	10/2007	Schwamkrug	D7/309	D745,307 S *	12/2015	Kestenbaum	D7/309
D560,950 S *	2/2008	Schwamkrug	D7/309	D762,412 S *	8/2016	Kestenbaum	D7/392
D585,229 S *	1/2009	de Visser	D7/309	D765,455 S *	9/2016	de Gooijer	D7/309
D586,171 S *	2/2009	Picozza	D7/306	D773,877 S *	12/2016	Lee	D7/309
D590,652 S *	4/2009	Cesaroni	D7/309	D773,878 S *	12/2016	Lee	D7/309
D596,442 S *	7/2009	Cahen	D7/309	D783,347 S *	4/2017	Kestenbaum	D7/397
D627,188 S *	11/2010	Picozza	D7/306	D788,509 S *	6/2017	Wei	D7/305
D666,451 S *	9/2012	Cheng	D7/309	D812,952 S *	3/2018	Fedorak	D7/306
D703,989 S *	5/2014	Garman	D7/305	D816,383 S *	5/2018	Liang	D7/310
D712,188 S *	9/2014	Averty	D7/309	D830,756 S *	10/2018	Cahen	D7/306
D714,088 S *	9/2014	Cahen	D7/309	D831,398 S *	10/2018	Cahen	D7/306
D718,563 S *	12/2014	Deman	D7/305	D832,019 S *	10/2018	Cahen	D7/306
D718,972 S *	12/2014	Jorgensen	D7/309	D836,371 S *	12/2018	Cahen	D7/306
D726,481 S *	4/2015	Cahen	D7/309	D838,532 S *	1/2019	Seidl	D7/311
D726,482 S *	4/2015	Cahen	D7/309	D841,383 S *	2/2019	Warburton	D7/306
					D843,154 S *	3/2019	Buttler	D7/309
					D843,765 S *	3/2019	Fedorak	D7/306
					D853,771 S *	7/2019	Wood	D7/306

* cited by examiner

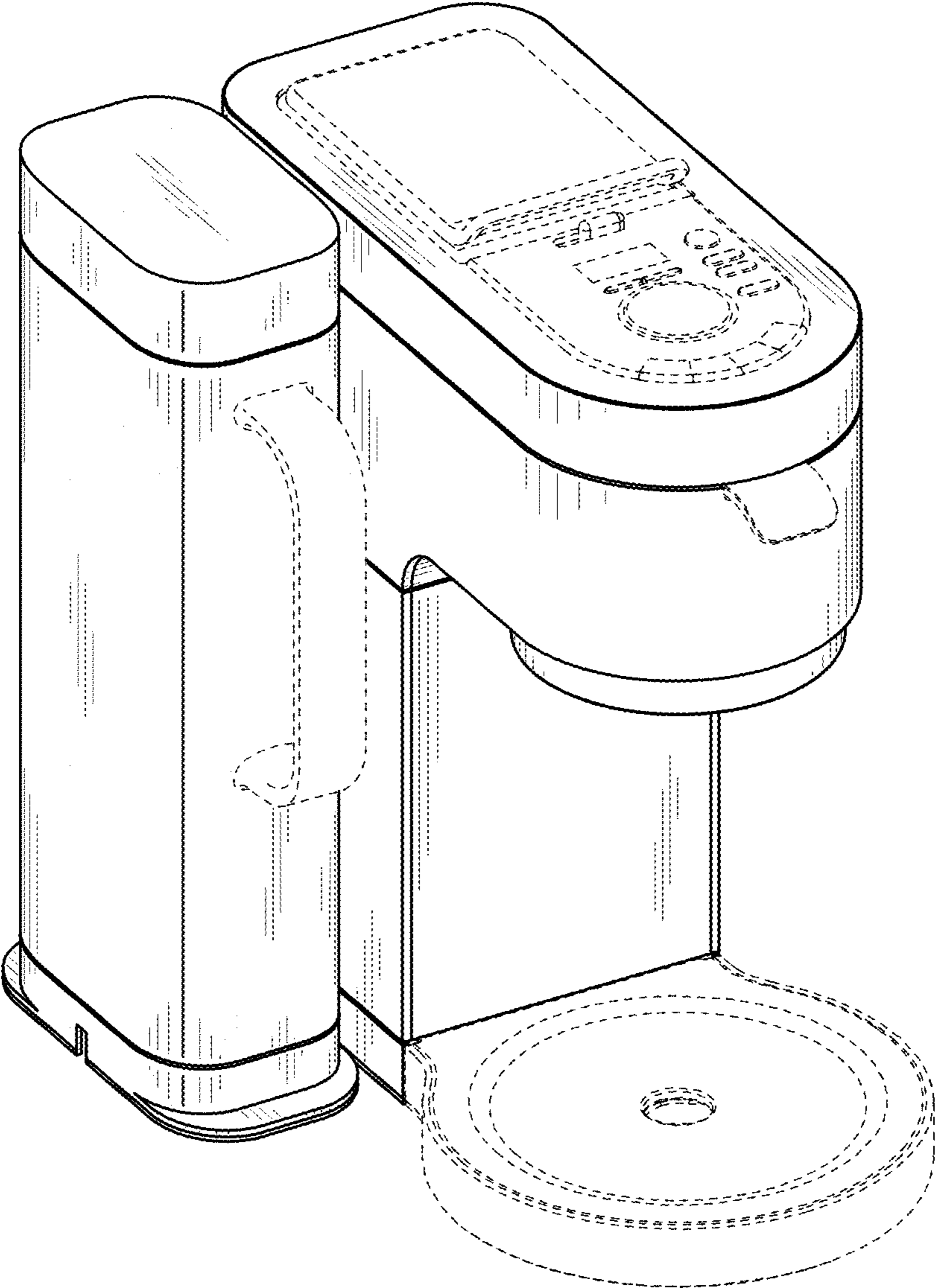


FIG. 1

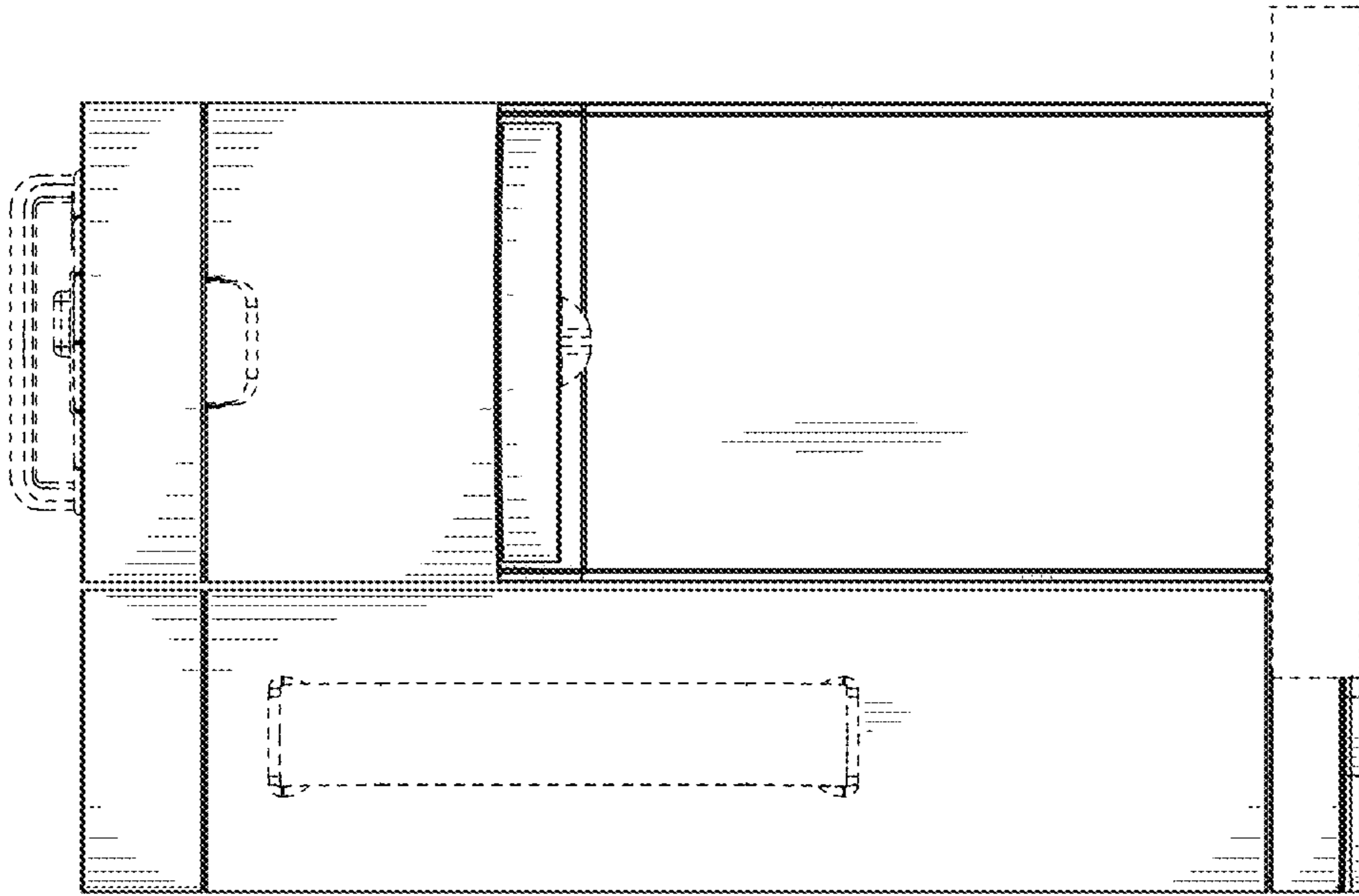


FIG. 2

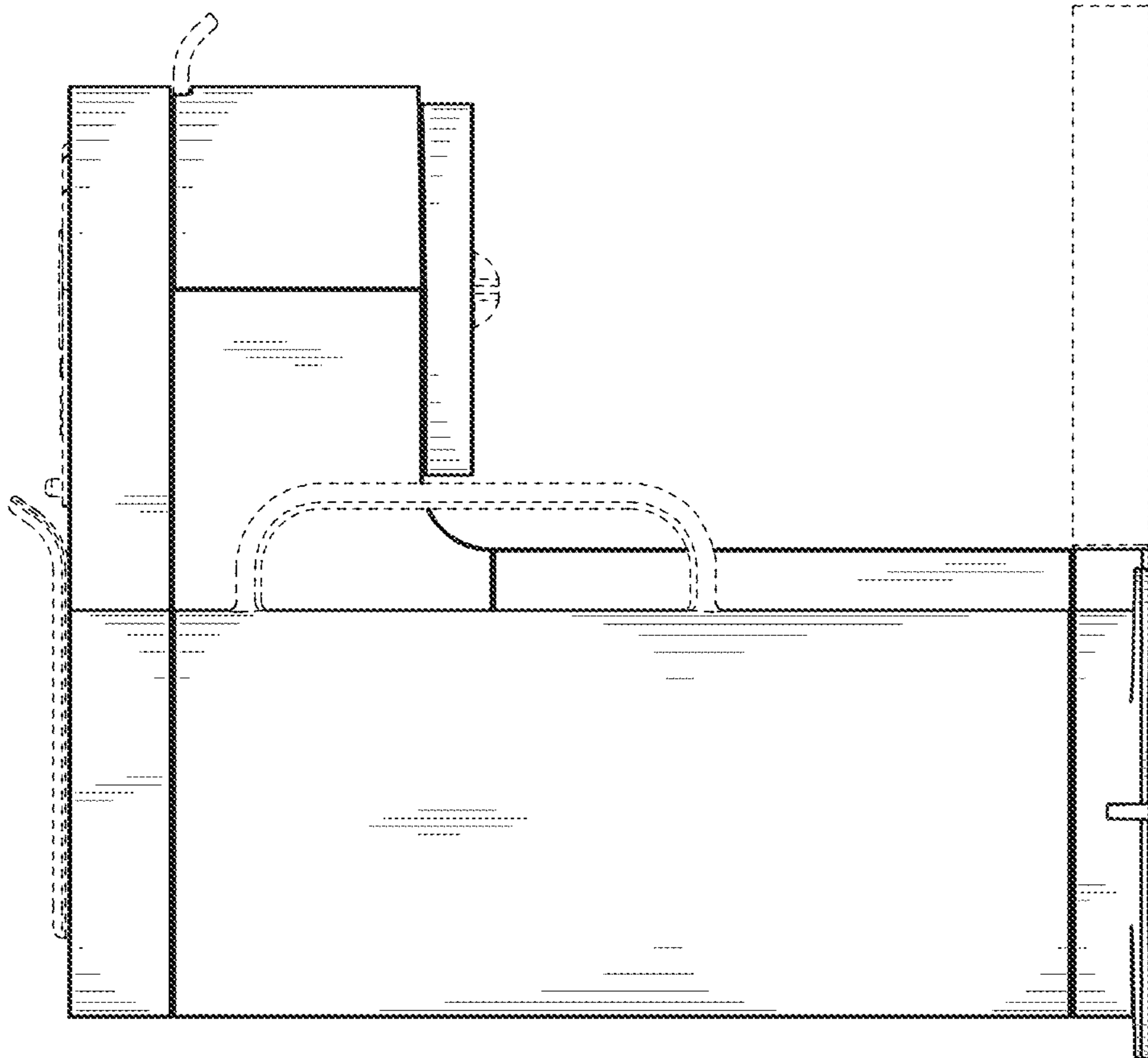


FIG. 3

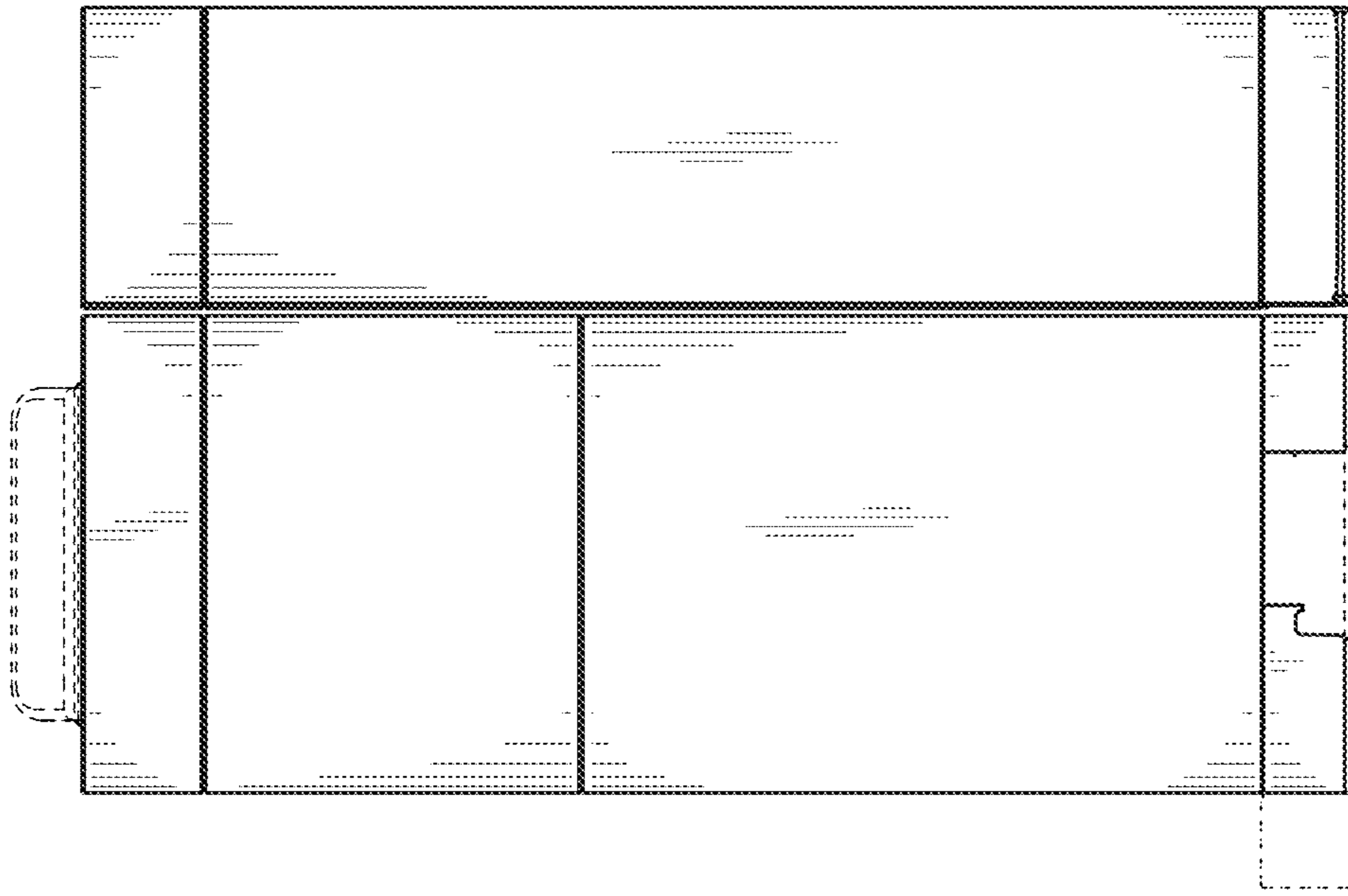


FIG. 5

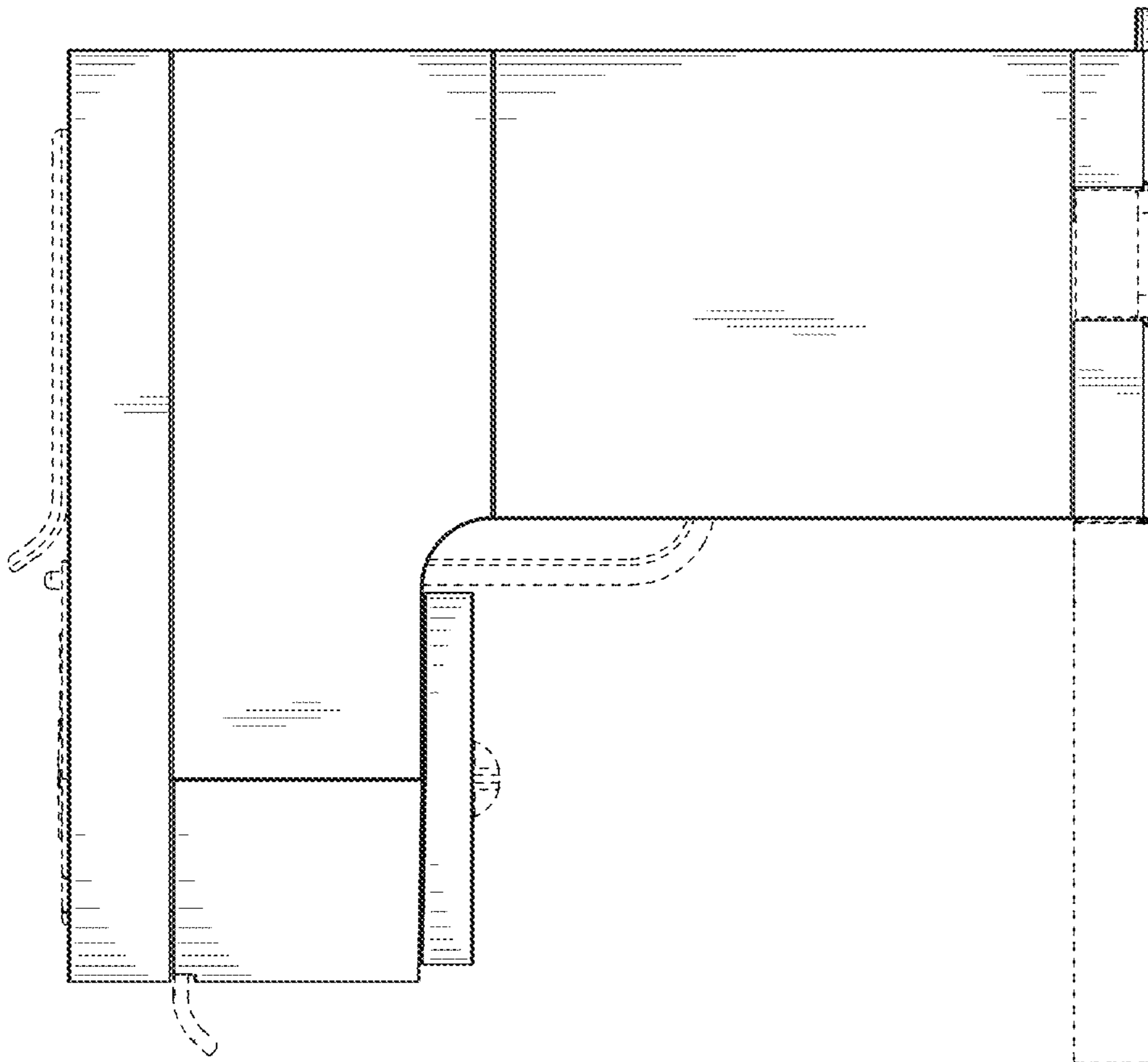


FIG. 4

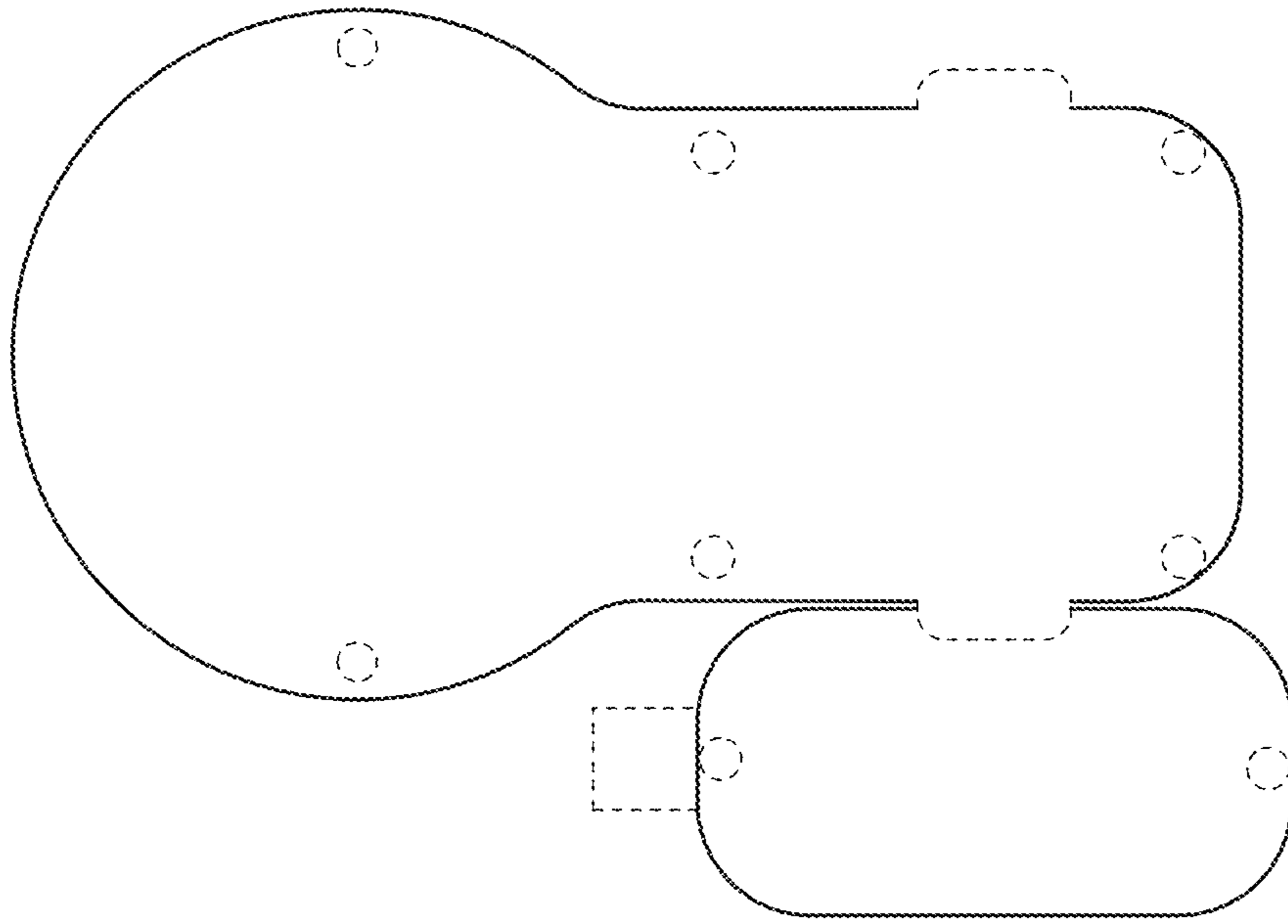


FIG. 7

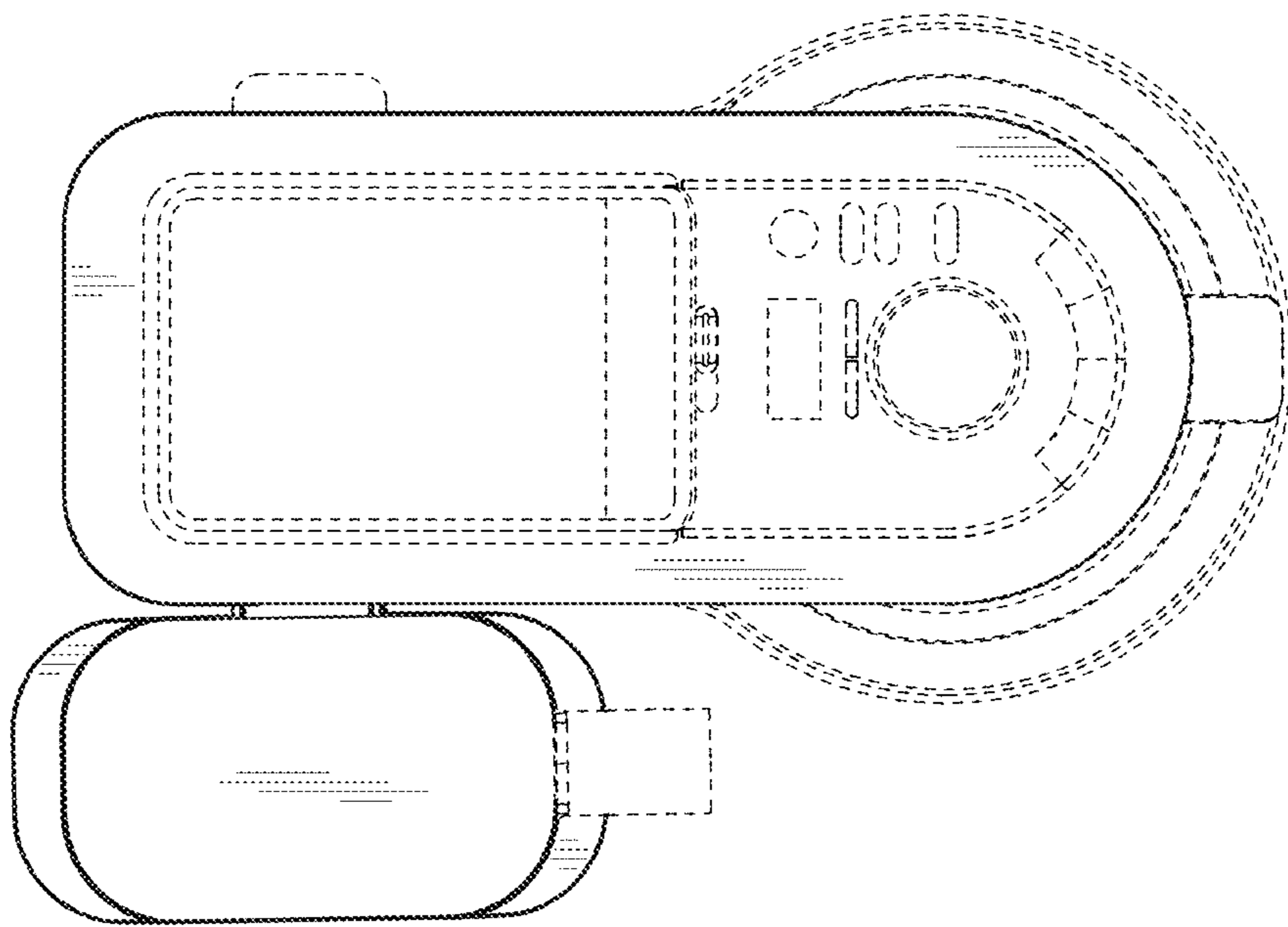


FIG. 6

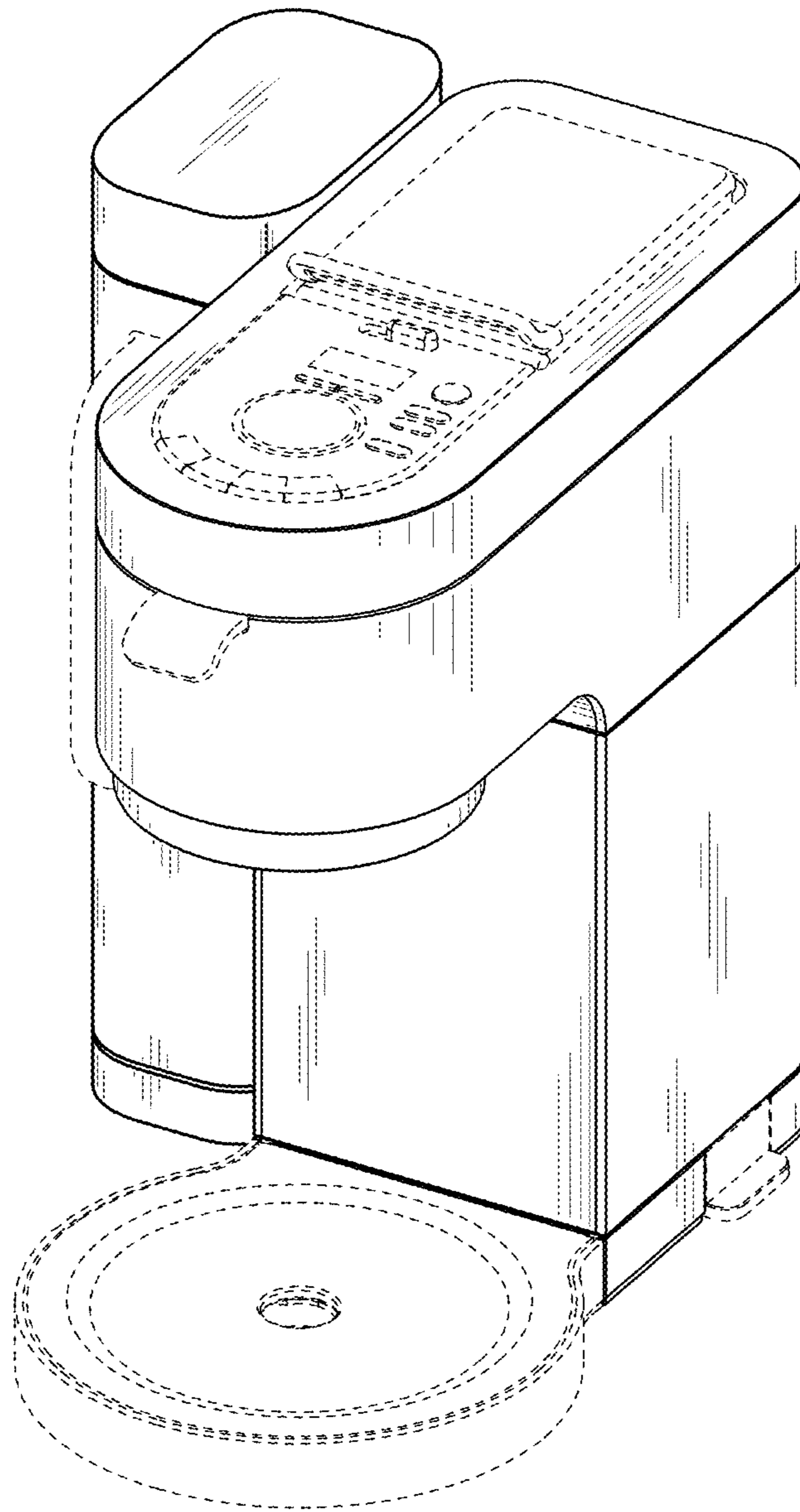


FIG. 8

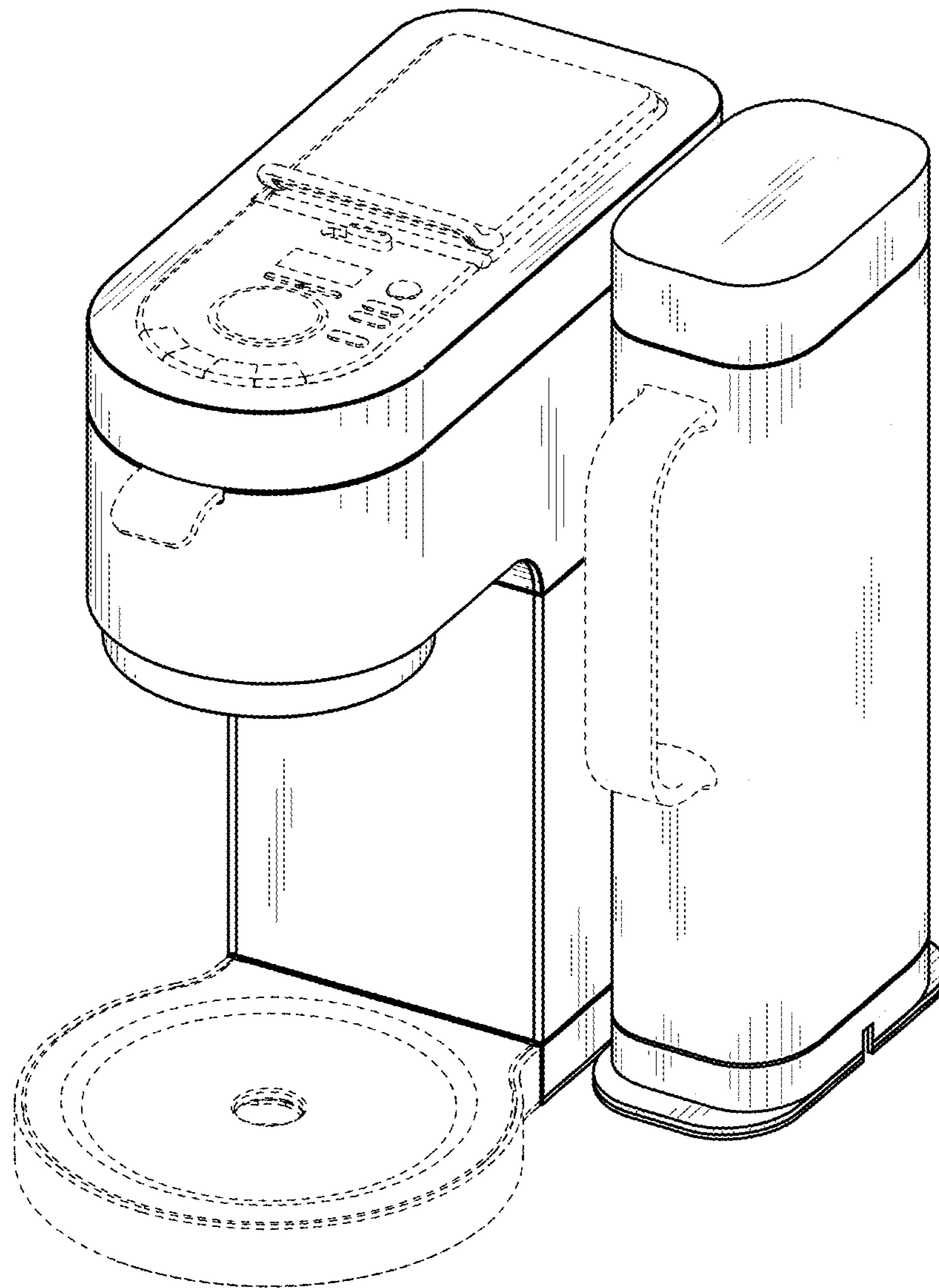


FIG. 9

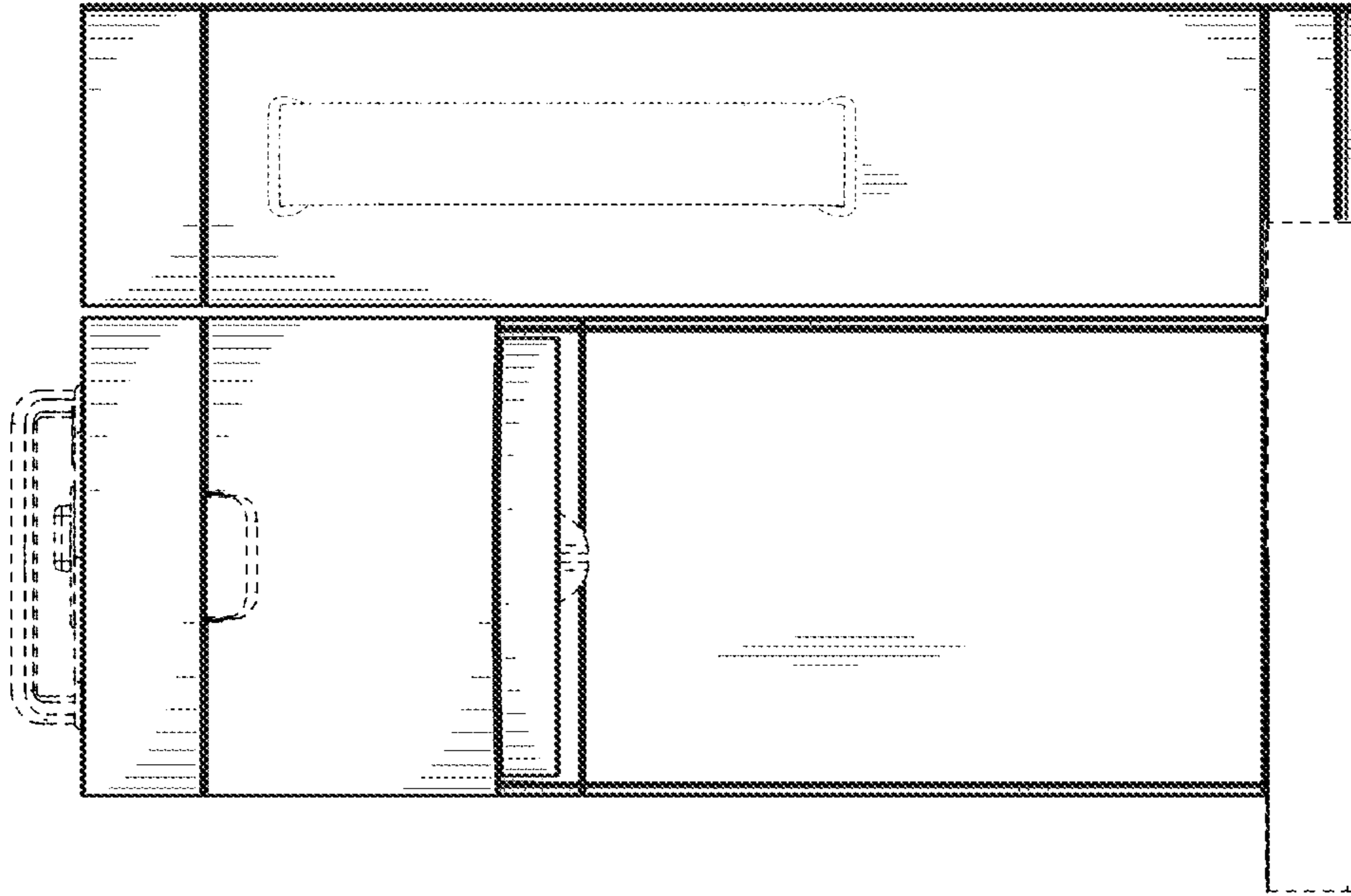


FIG. 11

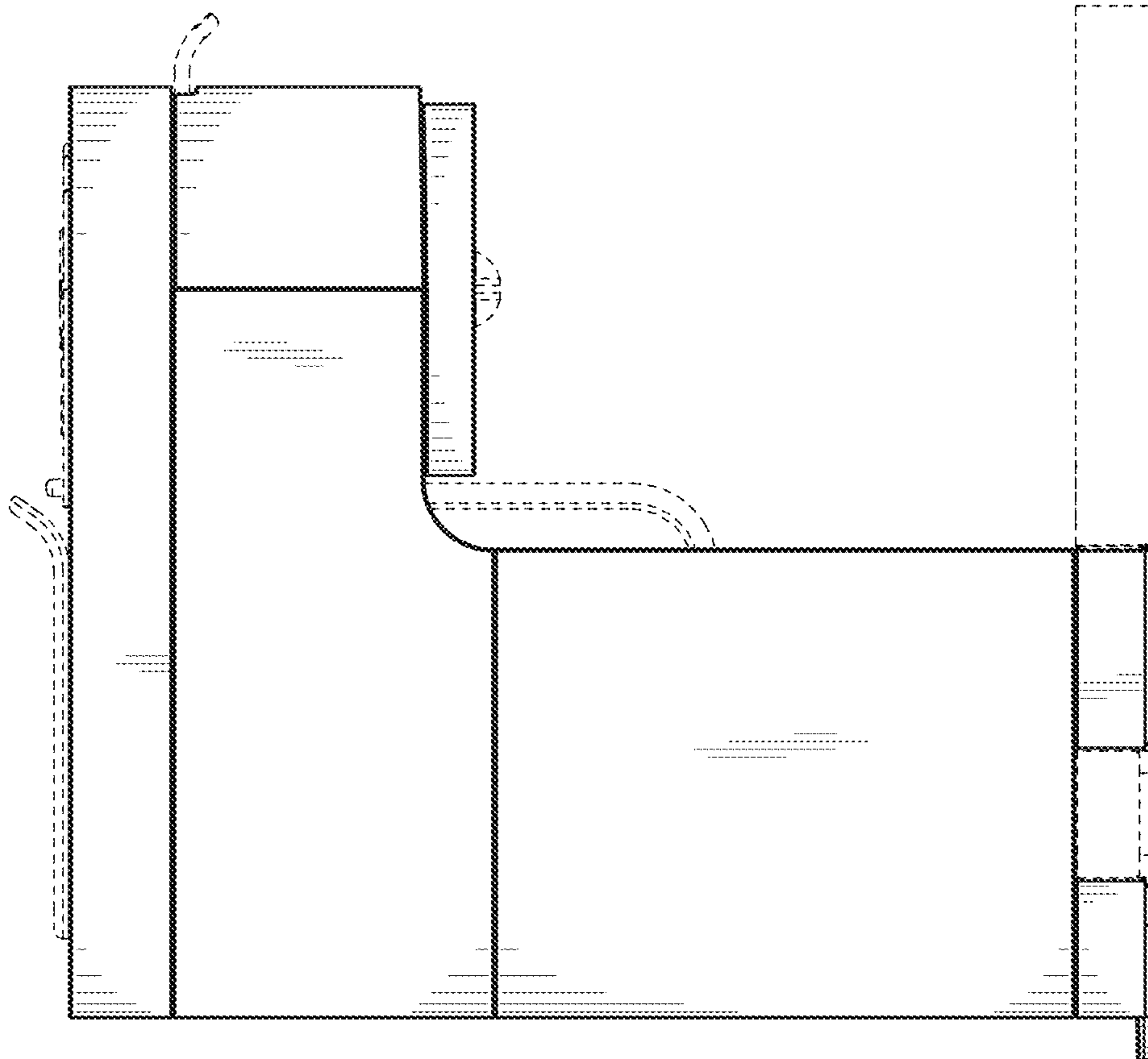


FIG. 10

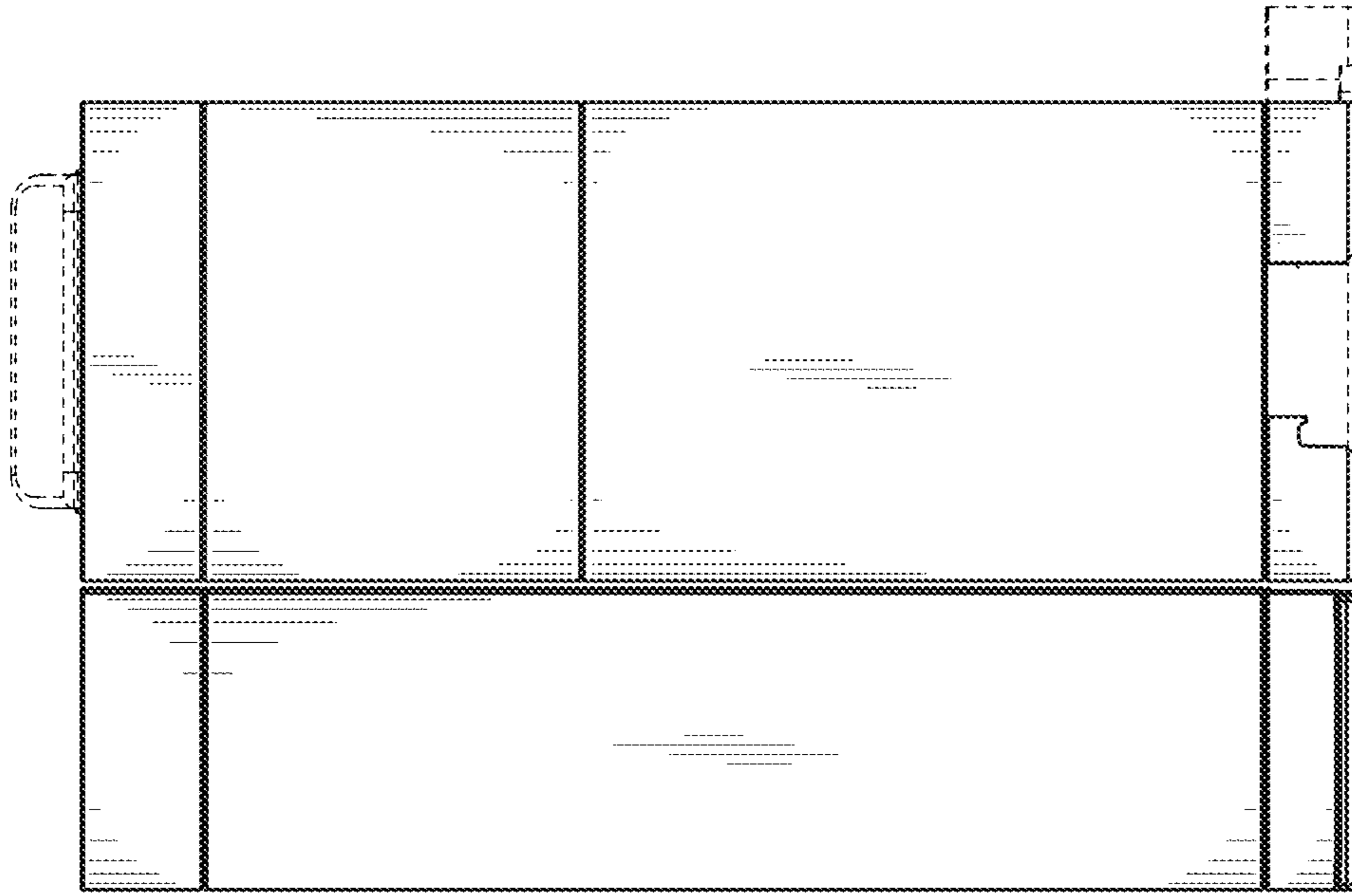


FIG. 12

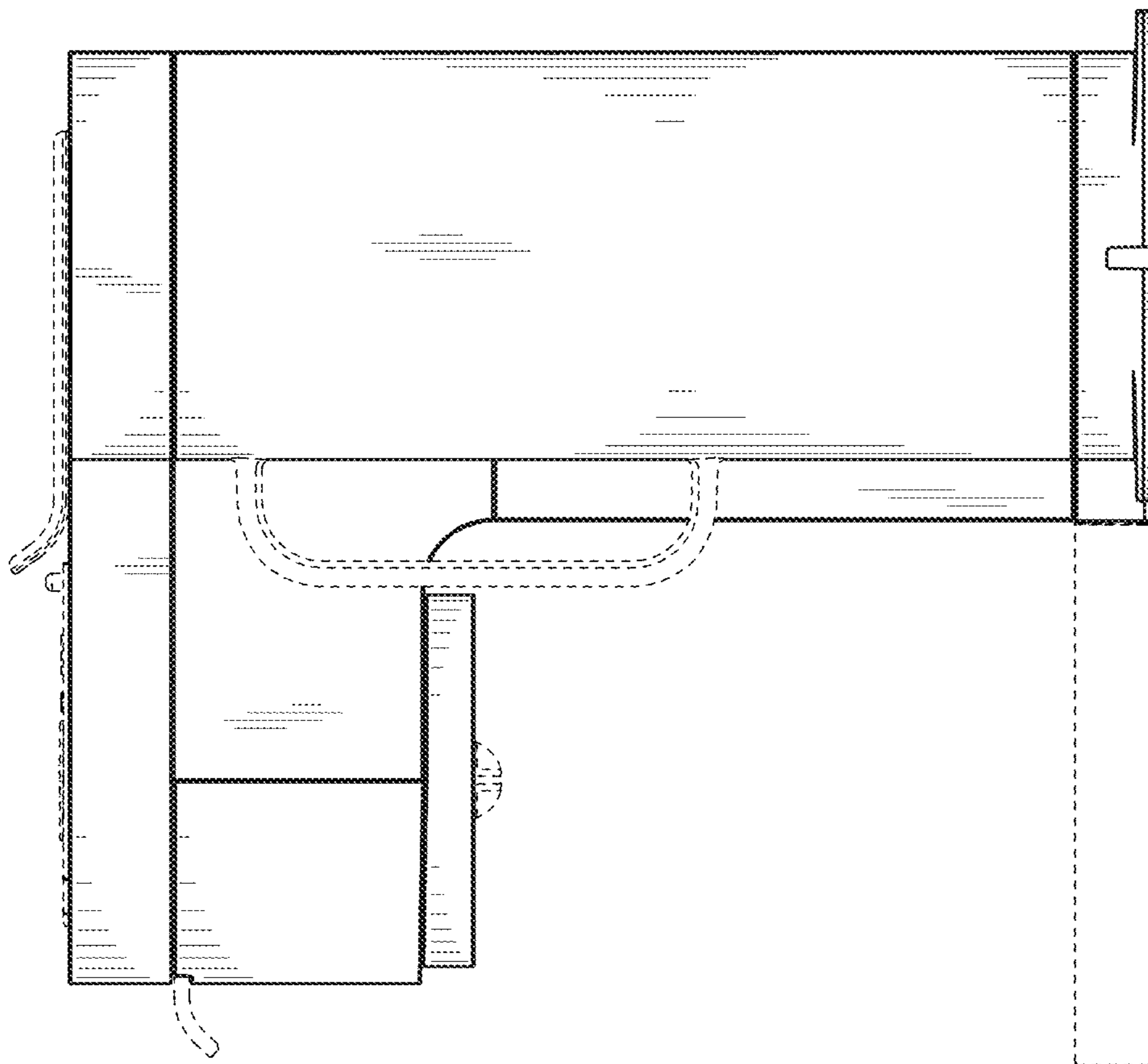


FIG. 13

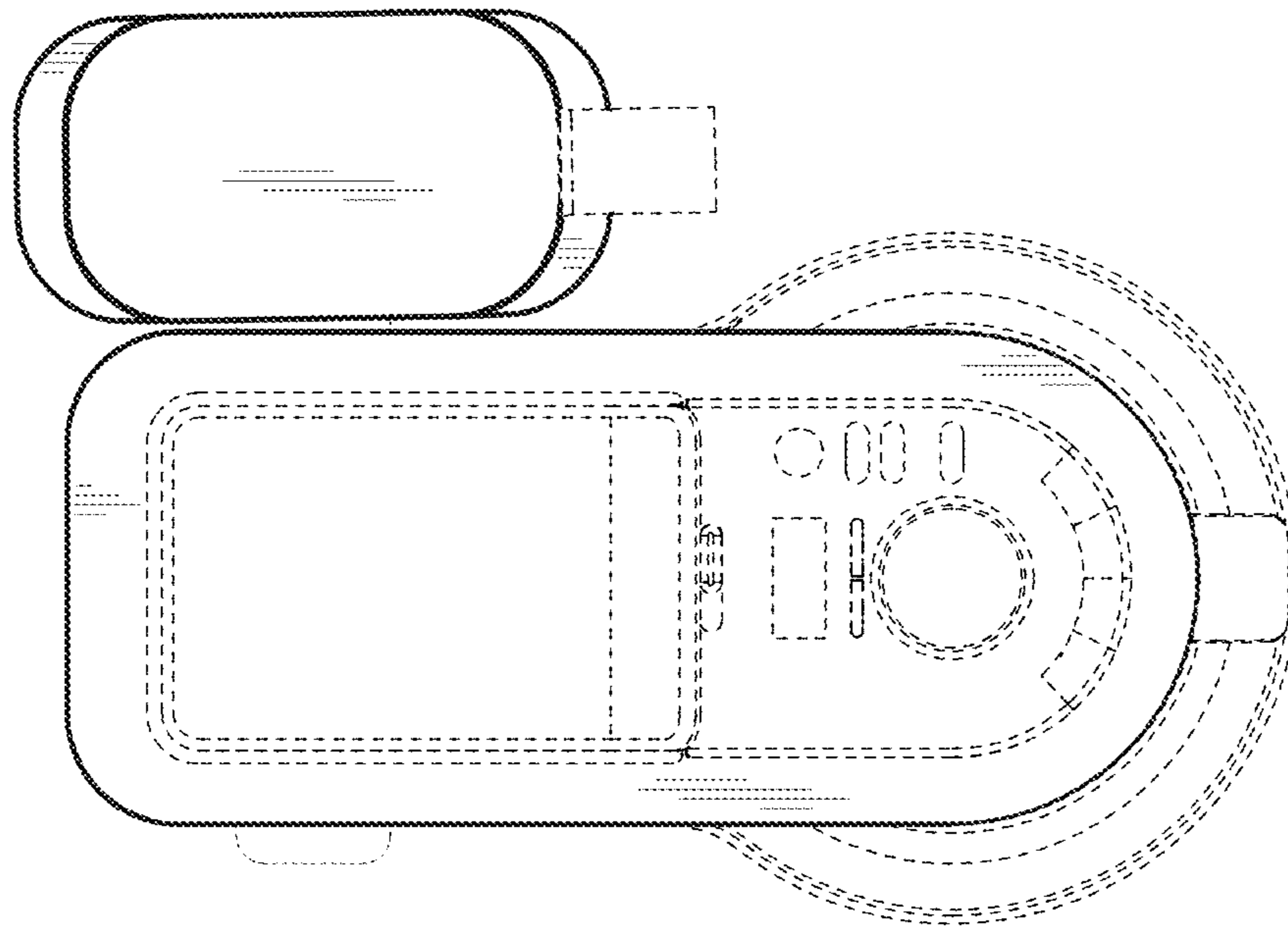


FIG. 15

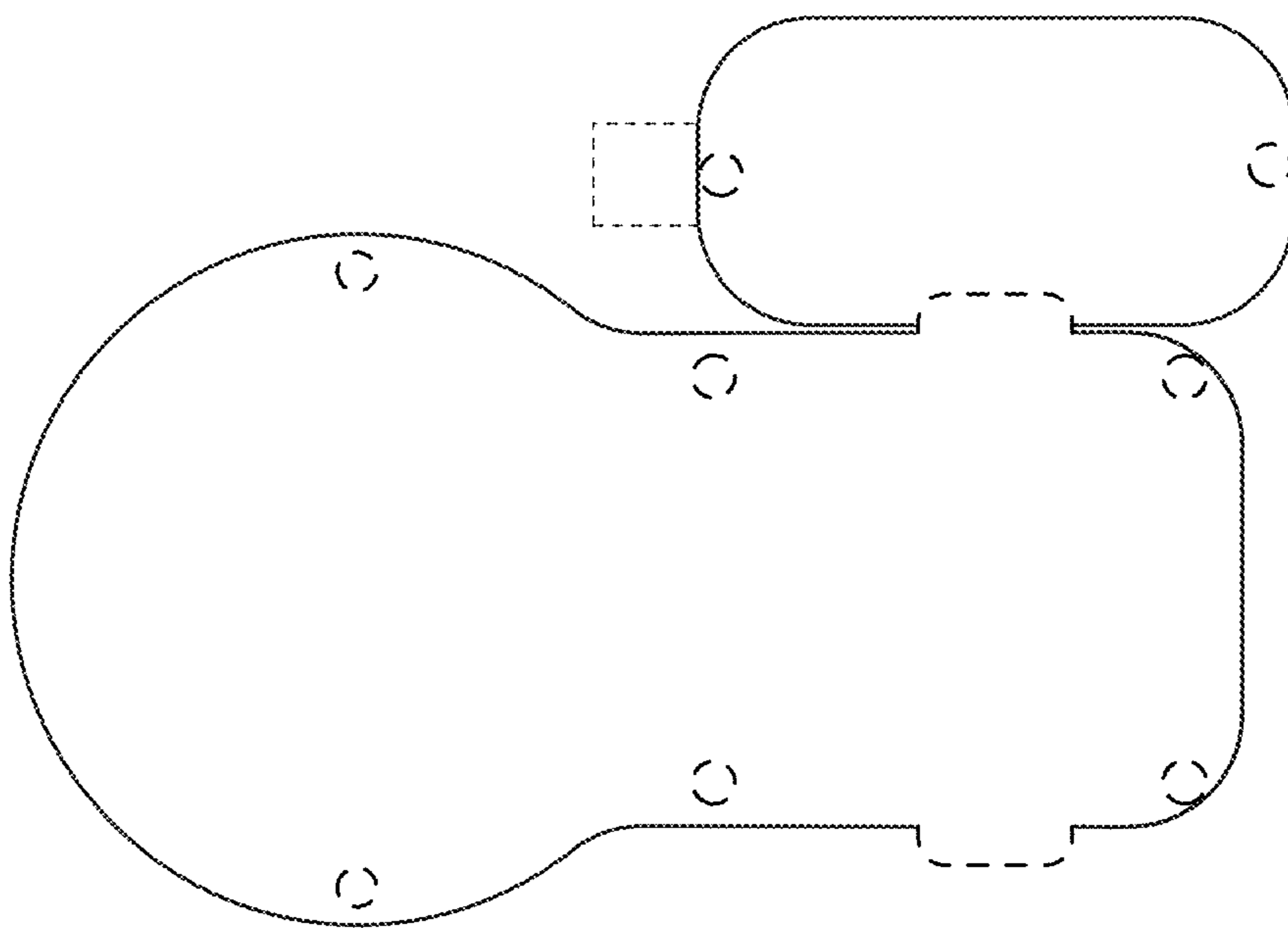


FIG. 14

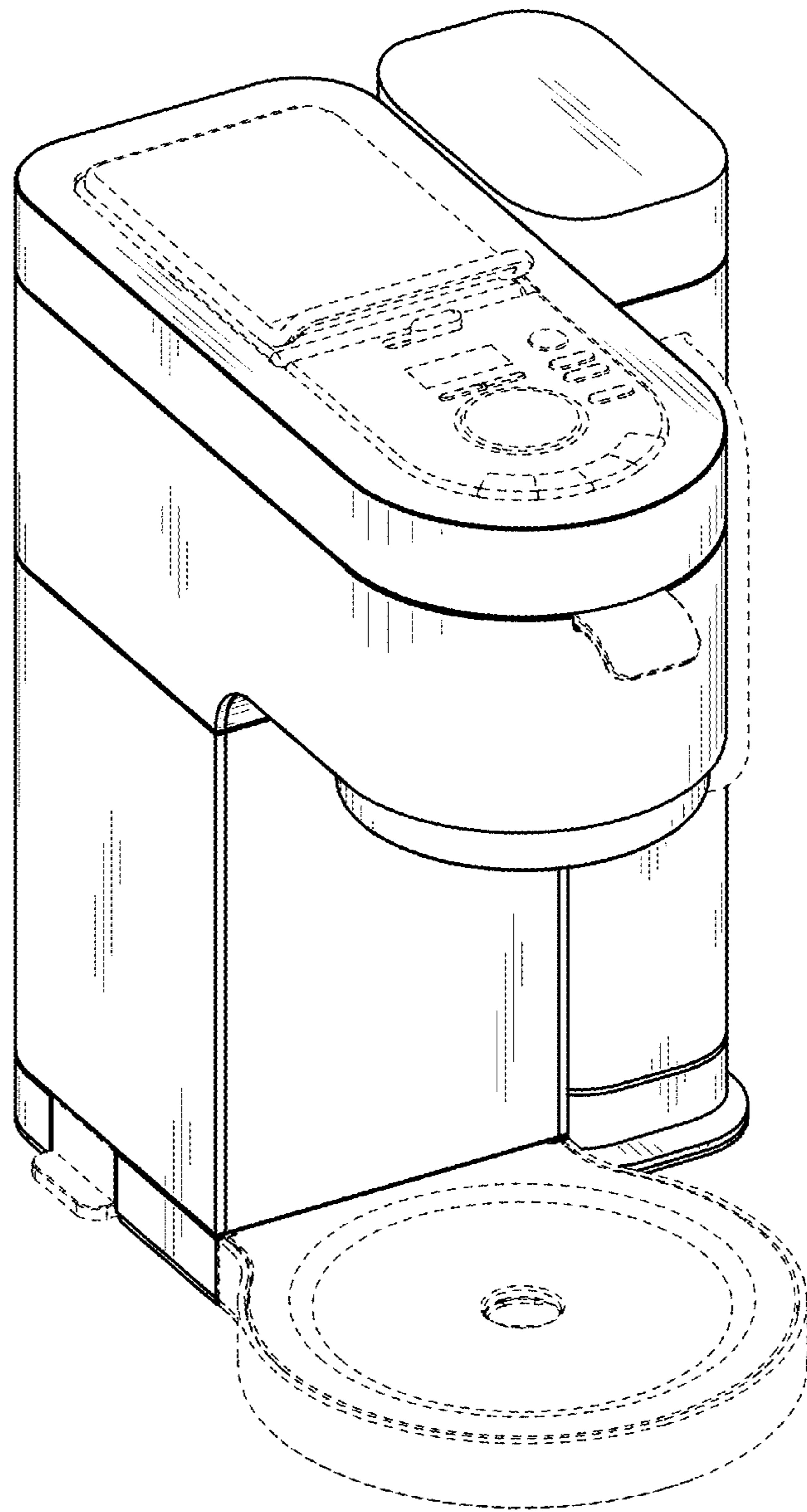


FIG. 16