



US00D877550S

(12) **United States Design Patent** (10) **Patent No.:** **US D877,550 S**
Michaels et al. (45) **Date of Patent:** **** Mar. 10, 2020**

(54) **SIPPY CUP STRAW-VALVE ASSEMBLY**

7,255,241 B2 8/2007 Yoneoka et al.
7,516,862 B2 4/2009 McDonough
D595,990 S * 7/2009 Rothberg D7/300.2
8,336,724 B2 12/2012 Yamashita et al.

(Continued)

(71) Applicant: **B.BOX FOR KIDS DEVELOPMENTS PTY LTD,**
Mulgrave, Victoria (AU)

FOREIGN PATENT DOCUMENTS

(72) Inventors: **Dannielle Lisa Michaels,** Mulgrave (AU); **Monique Miriam Filer,** Mulgrave (AU)

AU 356639 7/2014
CN 301858222 3/2012

(Continued)

(73) Assignee: **B.Box for Kids Developments Pty Ltd.,** Mulgrave, Victoria (AU)

OTHER PUBLICATIONS

(**) Term: **15 Years**

Little and Loved website, Sippy Cup V2—Single Replacement Straw Only, Earliest publication date from Wayback Maching Internet Archive Feb. 15, 2019, [site visited Feb. 15, 2019], Available on the Internet URL https://web.archive.org/web/20190215143742/https://www.littleandloved.co.nz/products/sippy-cup.*

(21) Appl. No.: **29/607,531**

(22) Filed: **Jun. 14, 2017**

(51) **LOC (12) Cl.** **07-06**

(52) **U.S. Cl.**
USPC **D7/300.2**

(58) **Field of Classification Search**
USPC D9/452, 453, 454, 435, 447, 449;
D7/300, 300.2, 301, 391, 392, 392.1, 424,
D7/430, 435, 443, 447, 449, 453, 454,
D7/510, 511, 538, 540, 542, 543, 544,
D7/545, 635, 629, 780
CPC ... A47G 19/2205; A47G 19/2222; A45F 3/16;
A45F 3/20; B67D 7/06; B67D 7/0004;
B65D 25/14; B65D 47/065; B65D
47/066; B65D 2543/00101; B65D
2543/00027
See application file for complete search history.

Primary Examiner — Karen S Acker

Assistant Examiner — Steven B Reinholdt, Jr.

(74) *Attorney, Agent, or Firm* — Brooks Kushman P.C.

(57) **CLAIM**

The ornamental design for a sippy cup straw-valve assembly, as shown and described.

DESCRIPTION

FIG. 1 is a perspective view of our sippy cup straw-valve assembly;

FIG. 2 is a front side elevational view thereof;

FIG. 3 is a rear side elevational view thereof;

FIG. 4 is a left side elevational view thereof;

FIG. 5 is a right elevational view thereof;

FIG. 6 is a top plan view thereof; and,

FIG. 7 is a bottom plan view thereof.

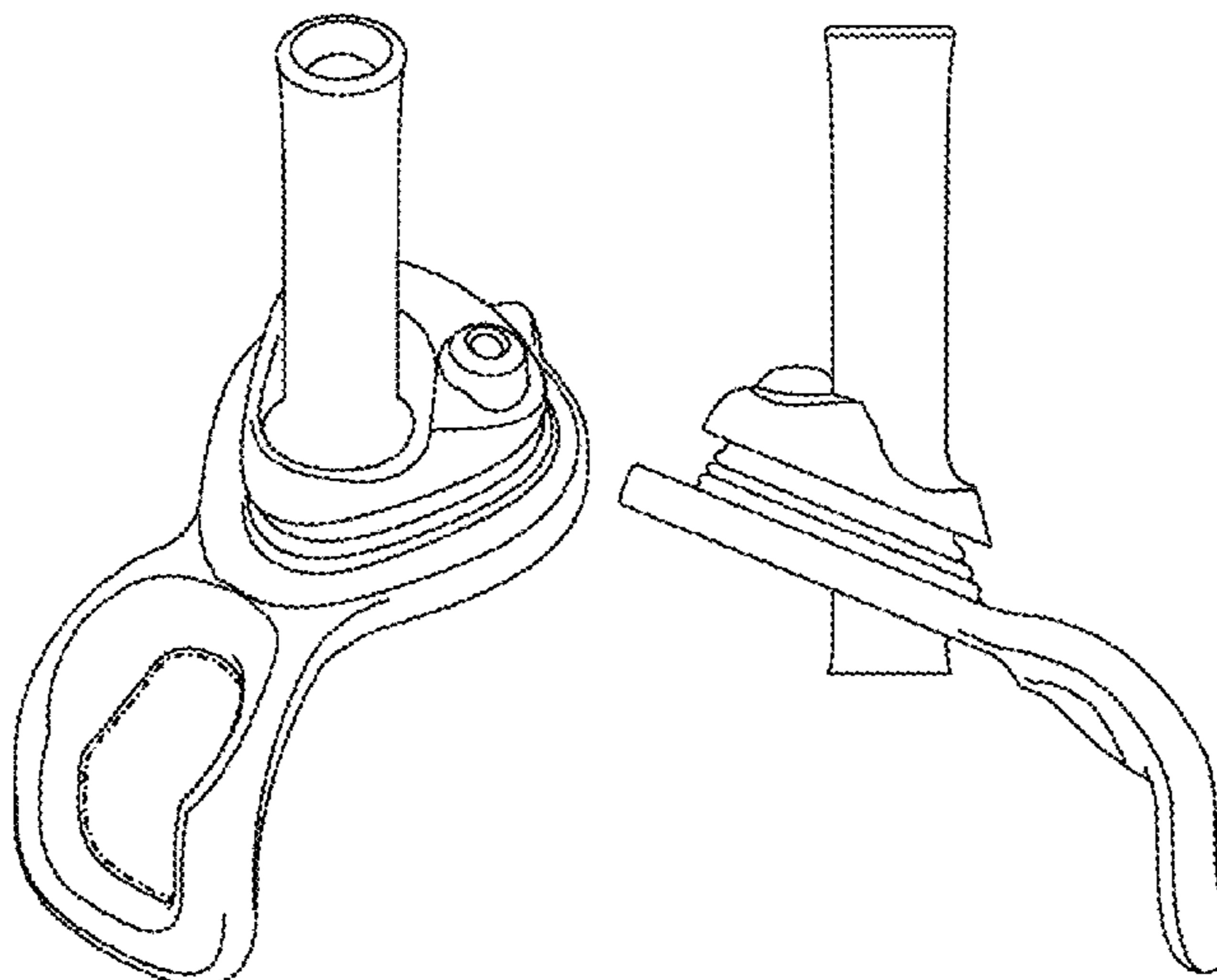
The evenly spaced broken lines depict portions of the sippy cup straw-valve assembly that form no part of the claim. The dot dash dot broken lines depict the boundaries of the claim and form no part thereof.

1 Claim, 2 Drawing Sheets

(56) **References Cited**

U.S. PATENT DOCUMENTS

D189,756 S * 2/1961 Mori D7/300.2
6,102,245 A 8/2000 Haberman
6,568,557 B2 5/2003 Fusco et al.
6,609,624 B2 8/2003 Goto et al.
6,758,364 B1 7/2004 Rohrig
7,097,065 B2 8/2006 Yoneoka et al.
D527,566 S * 9/2006 Mather D7/300.2



(56)

References Cited

U.S. PATENT DOCUMENTS

8,376,165 B2 2/2013 Chiang
8,376,173 B2 2/2013 Britto et al.
8,403,164 B2 3/2013 Samson
D683,185 S 5/2013 Thomas
D683,189 S 5/2013 Thomas
8,550,269 B2 10/2013 Lane
D699,064 S * 2/2014 Katterheinrich D7/300.2
D713,687 S 9/2014 Lv
D730,697 S 6/2015 Johnson et al.
D781,640 S * 3/2017 Roth D7/300.2
D813,445 S * 3/2018 Scott D27/101
2006/0196895 A1 * 9/2006 Trejo A47G 21/18
222/528
2014/0069944 A1 3/2014 Shapiro et al.
2015/0048110 A1 * 2/2015 dePoo A23L 2/04
222/567
2015/0374154 A1 12/2015 Wharton
2017/0208974 A1 * 7/2017 Zhang A47G 19/2272

FOREIGN PATENT DOCUMENTS

CN 302319674 2/2013
CN 302862109 7/2014
CN 302892939 7/2014
CN 303488062 12/2015

* cited by examiner

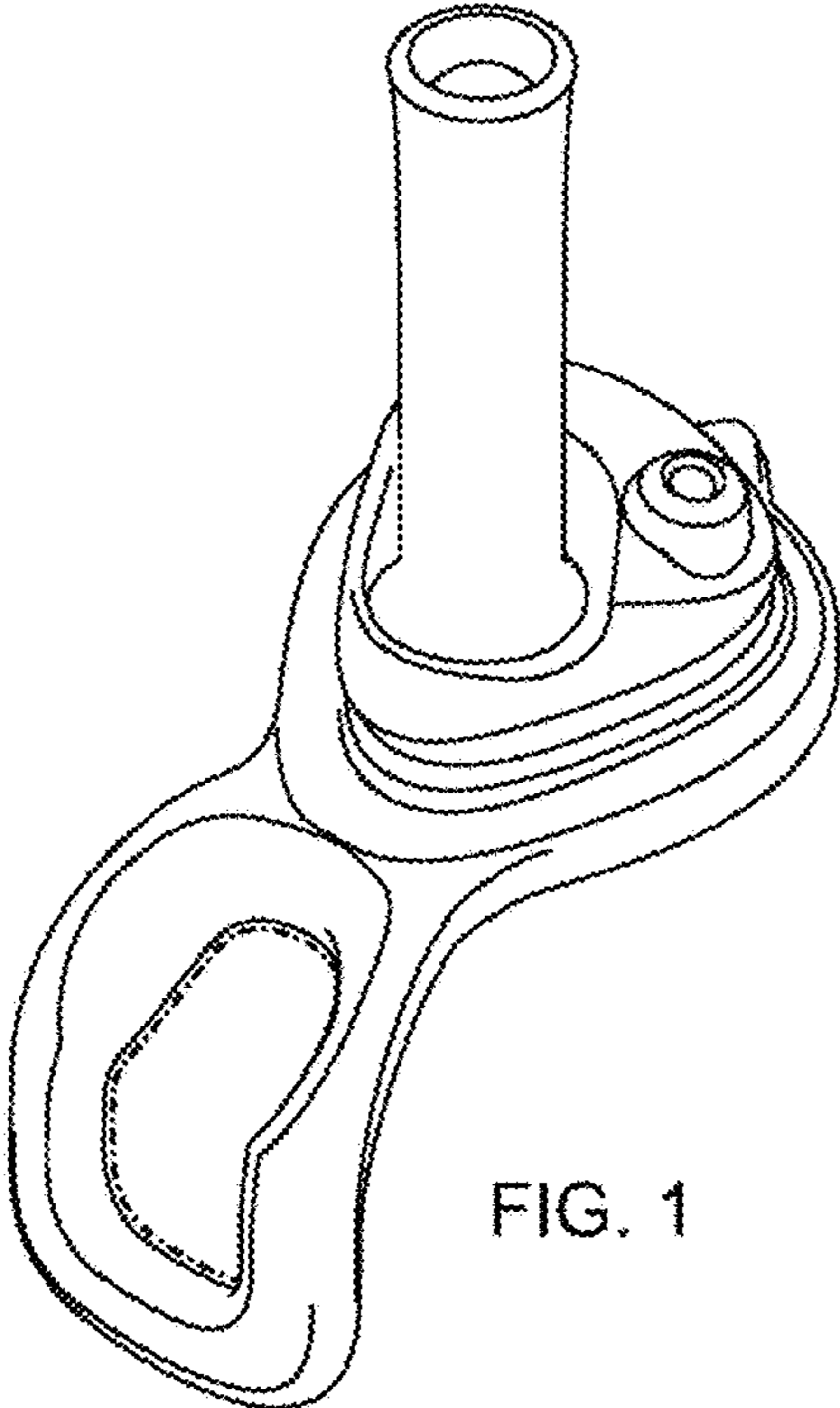


FIG. 1

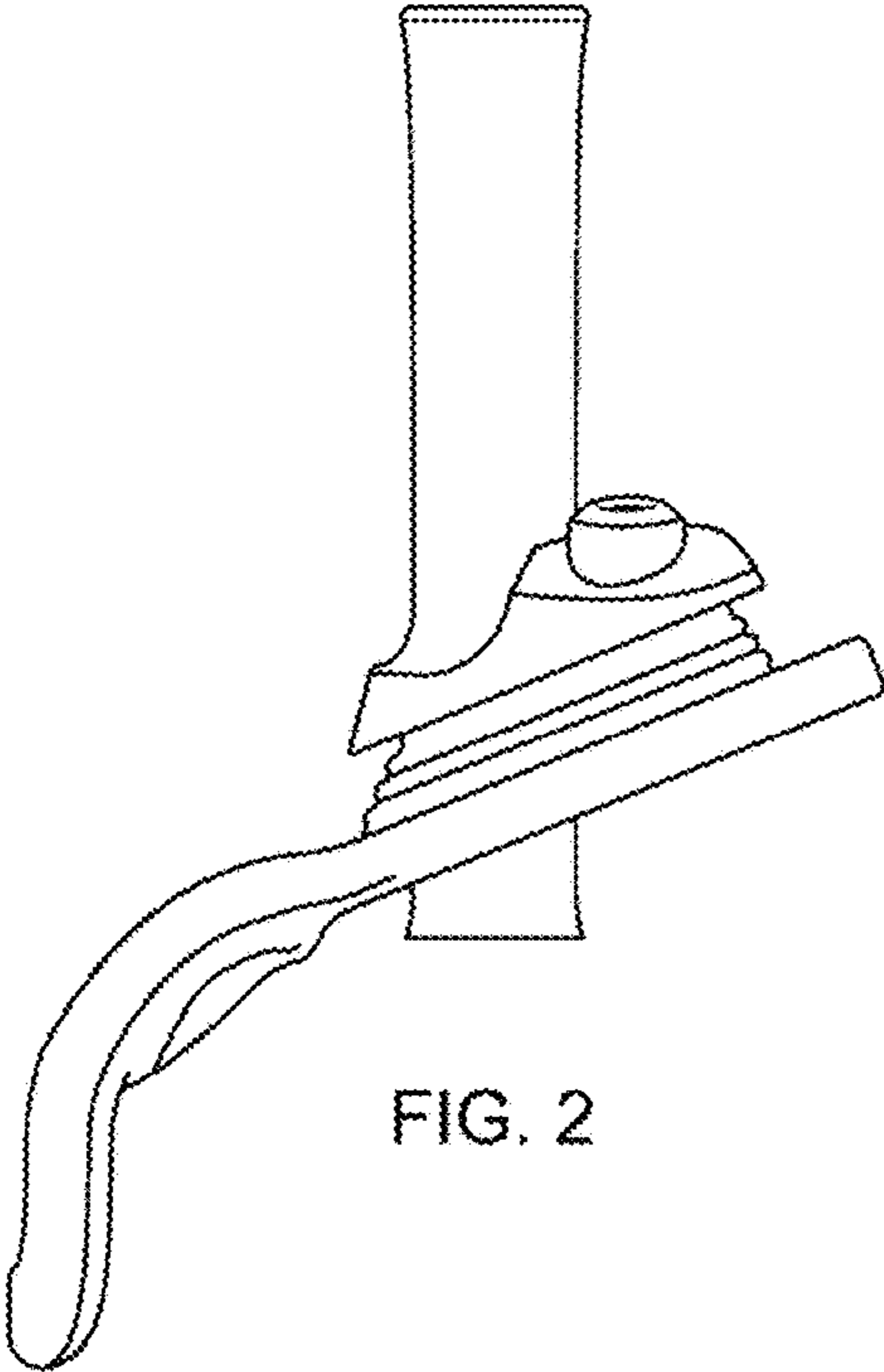


FIG. 2

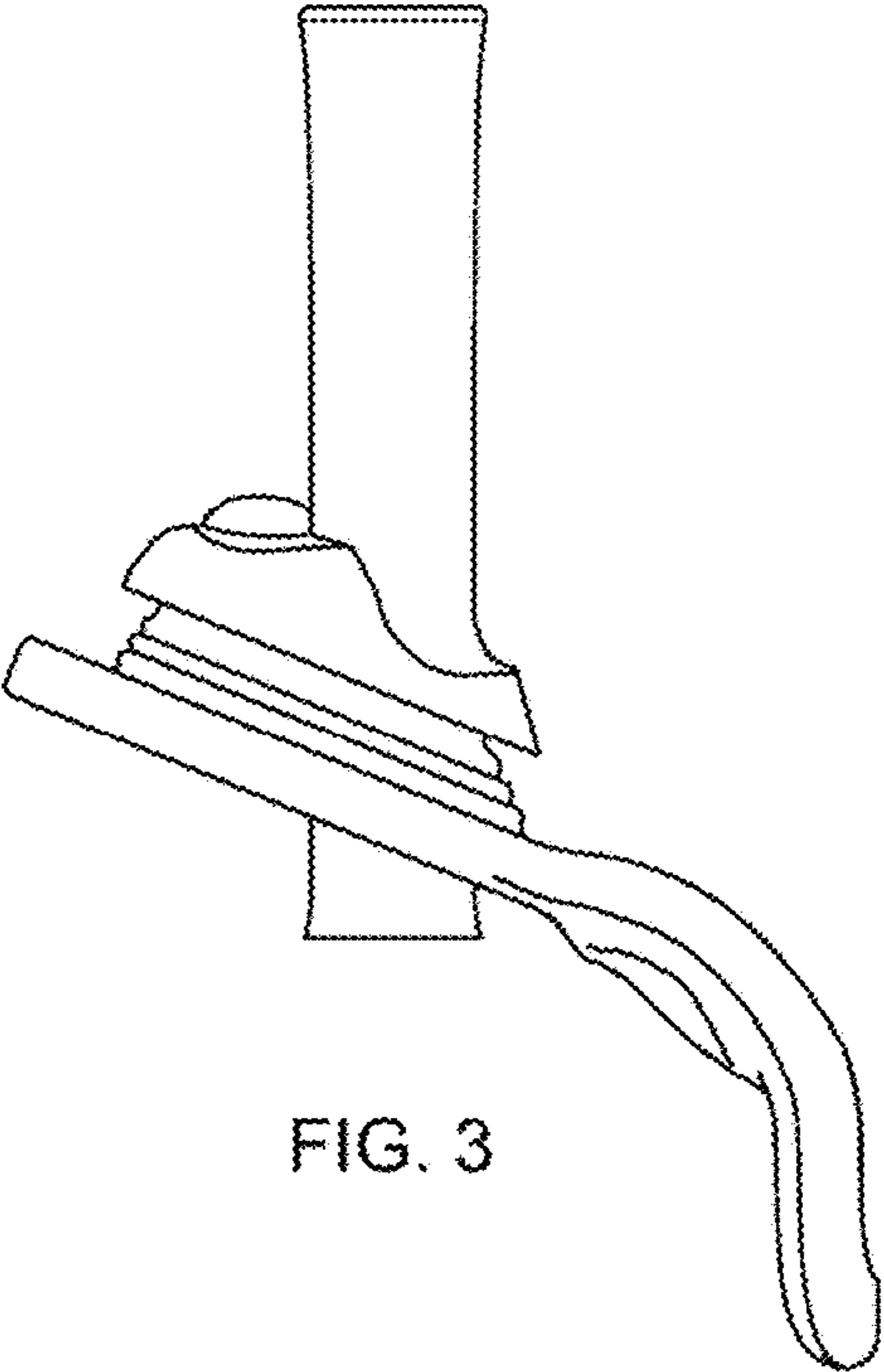


FIG. 3

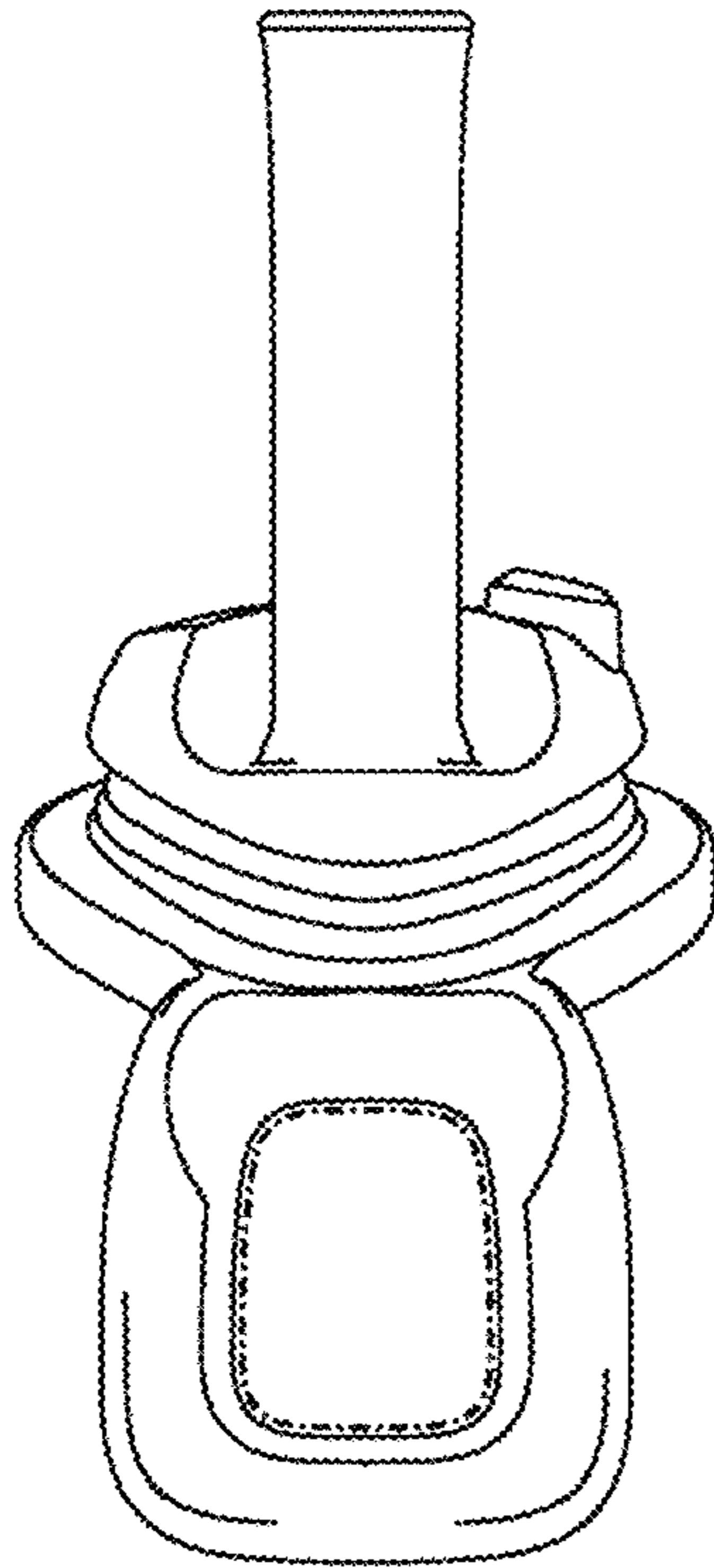


FIG. 4

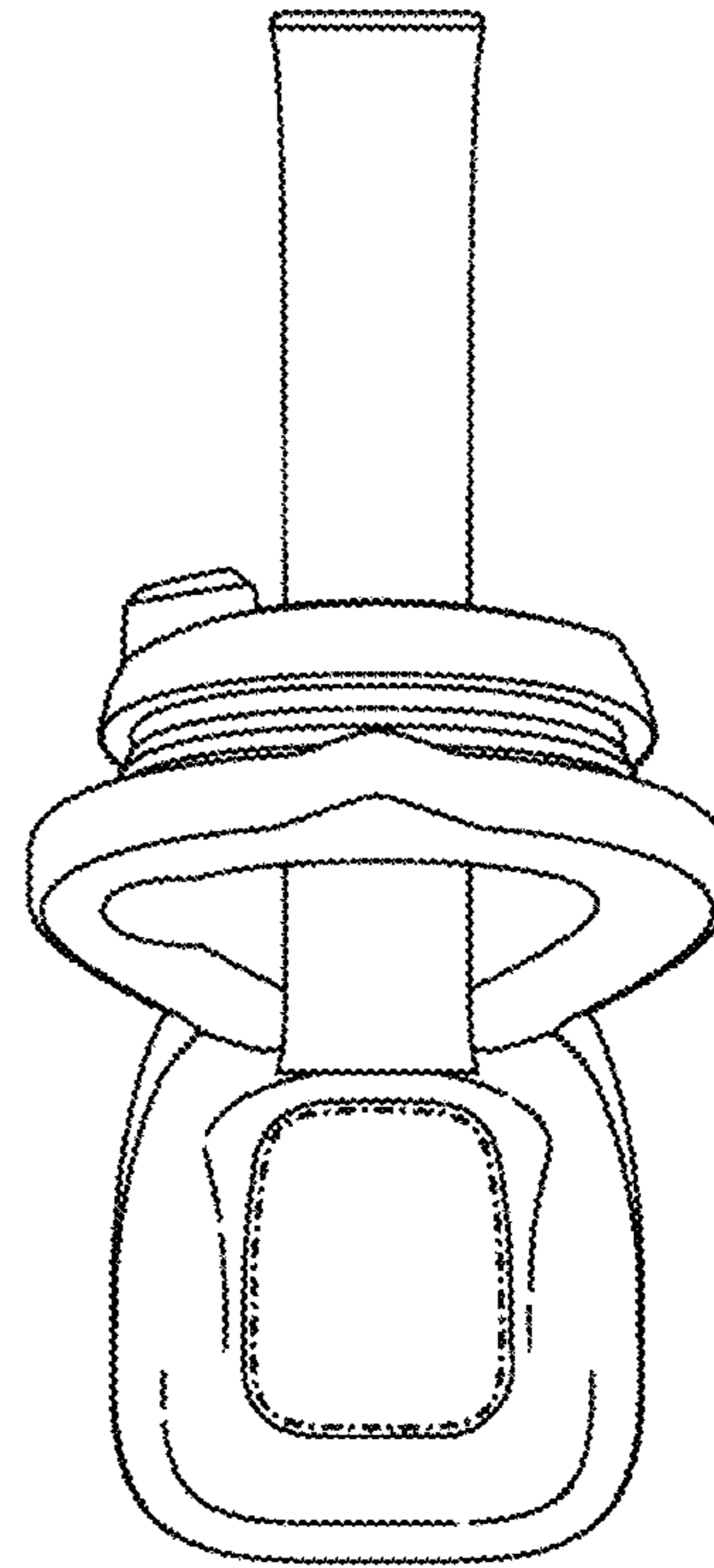


FIG. 5

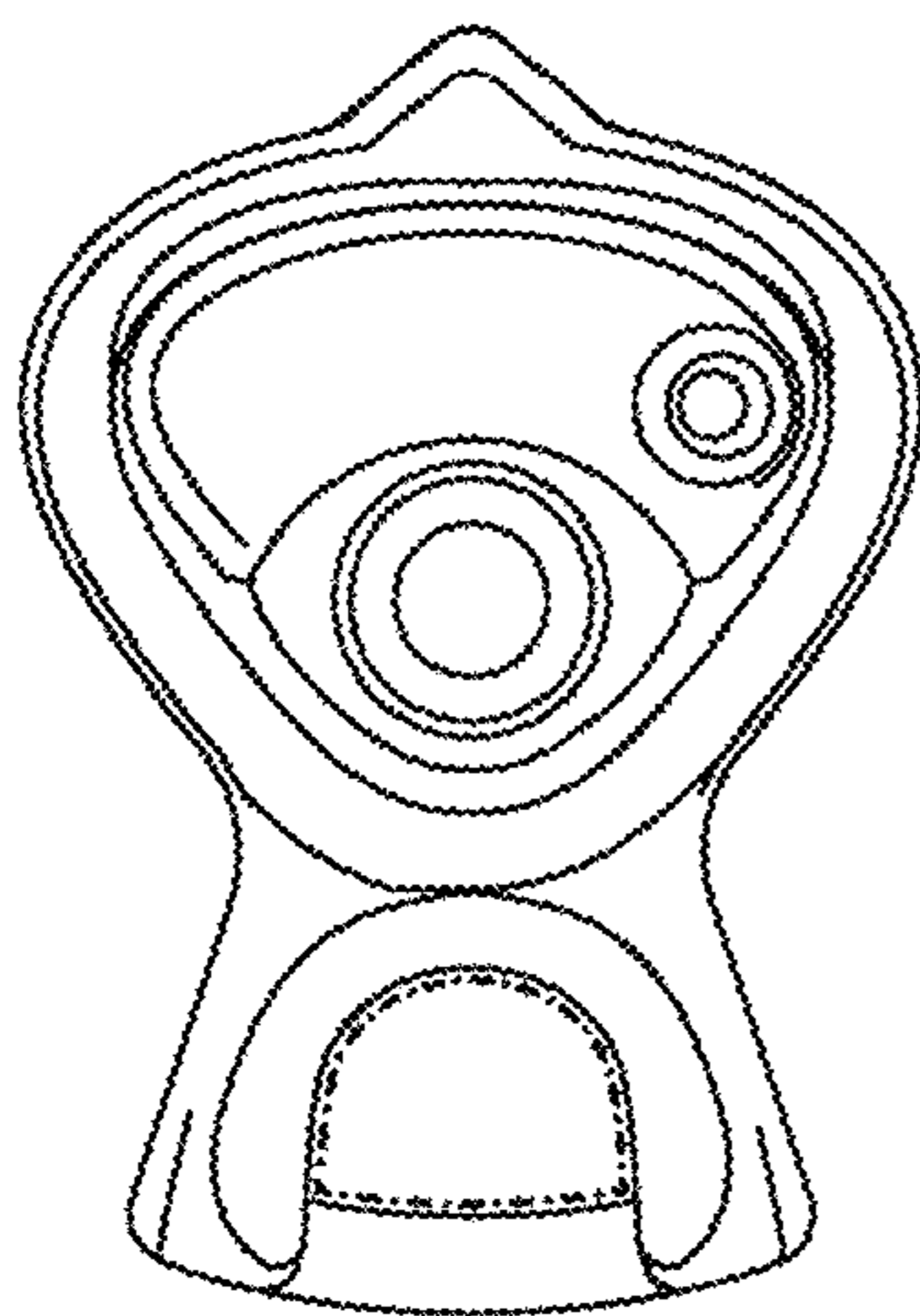


FIG. 6

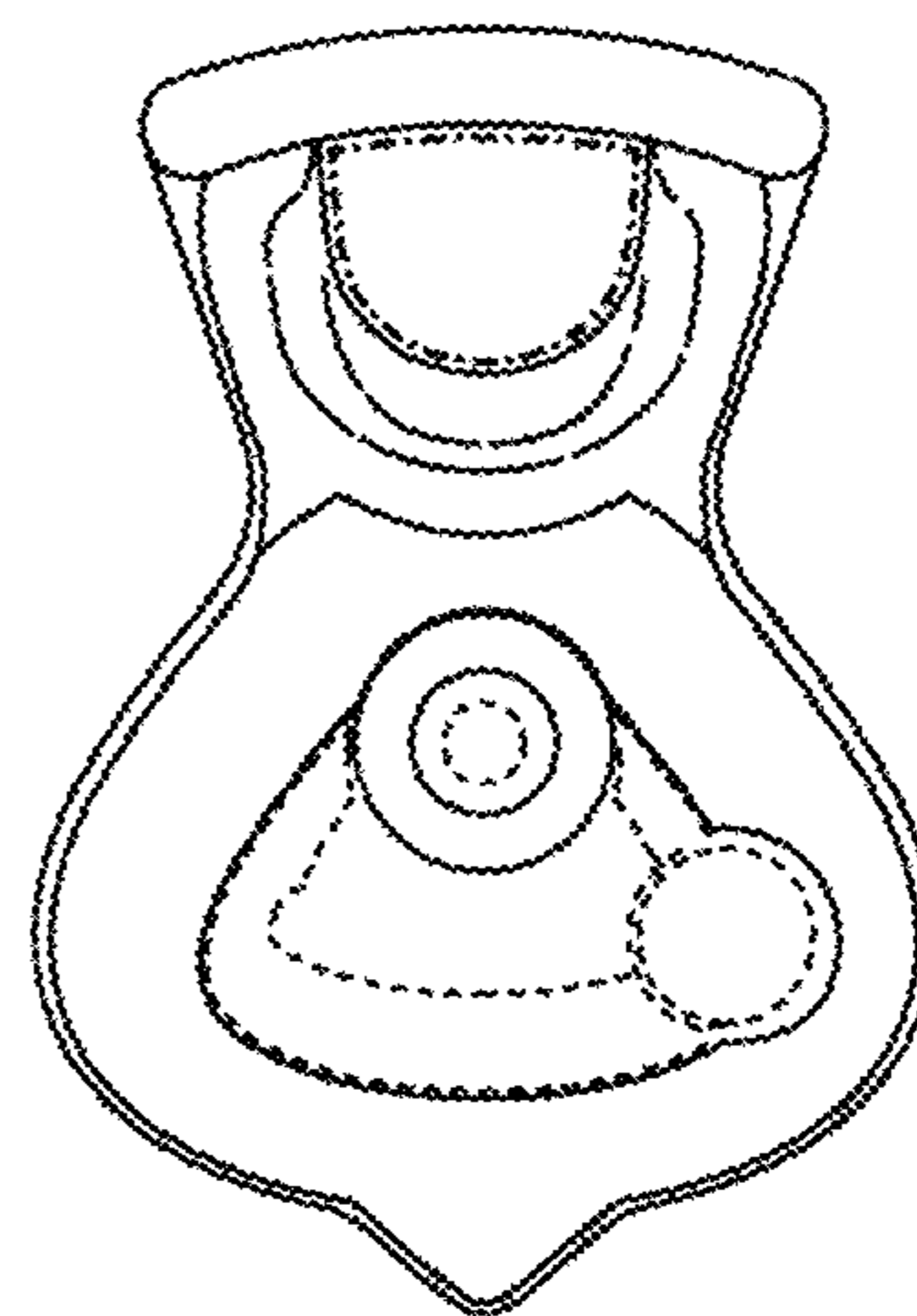


FIG. 7