



US00D877548S

(12) **United States Design Patent** (10) **Patent No.:** **US D877,548 S**
Brugger et al. (45) **Date of Patent:** **** *Mar. 10, 2020**

(54) **RETAIL FIXTURE**

FOREIGN PATENT DOCUMENTS

(71) Applicant: **Apple Inc.**, Cupertino, CA (US)

EM 002886234-0011 2/2016
EM 002992065-0002 2/2016
WO DM-082406 10/2013

(72) Inventors: **Alice Marlin Brugger**, San Francisco, CA (US); **Manuel Dejesus**, San Francisco, CA (US); **Joshua Robert Edwards**, Santa Cruz, CA (US); **Jean-Marc Gady**, Los Altos, CA (US); **Wesley Bryan Hamm**, San Francisco, CA (US); **Russell John Kaaihue Heirakuji**, Cupertino, CA (US); **Allison Inouye**, San Francisco, CA (US); **Moritz Wilsberg**, Menlo Park, CA (US)

OTHER PUBLICATIONS

Japanese Patent Office document HB23000547, Nachrichten, dated Feb. 2011 (2 Pages).

Primary Examiner — Kelley A Donnelly
(74) *Attorney, Agent, or Firm* — Sterne, Kessler, Goldstein & Fox P.L.L.C.

(73) Assignee: **Apple Inc.**, Cupertino, CA (US)

(57) **CLAIM**

(*) Notice: This patent is subject to a terminal disclaimer.

The ornamental design for a retail fixture, as shown and described.

(**) Term: **15 Years**

(21) Appl. No.: **29/681,841**

DESCRIPTION

(22) Filed: **Feb. 28, 2019**

Related U.S. Application Data

(63) Continuation of application No. 29/656,127, filed on Jul. 10, 2018.

(51) **LOC (12) Cl.** **06-06**

(52) **U.S. Cl.**
USPC **D6/675**

(58) **Field of Classification Search**
USPC D6/672, 675, 675.1, 678, 678.1, 682, D6/682.3, 682.4, 683, 683.1

(Continued)

(56) **References Cited**

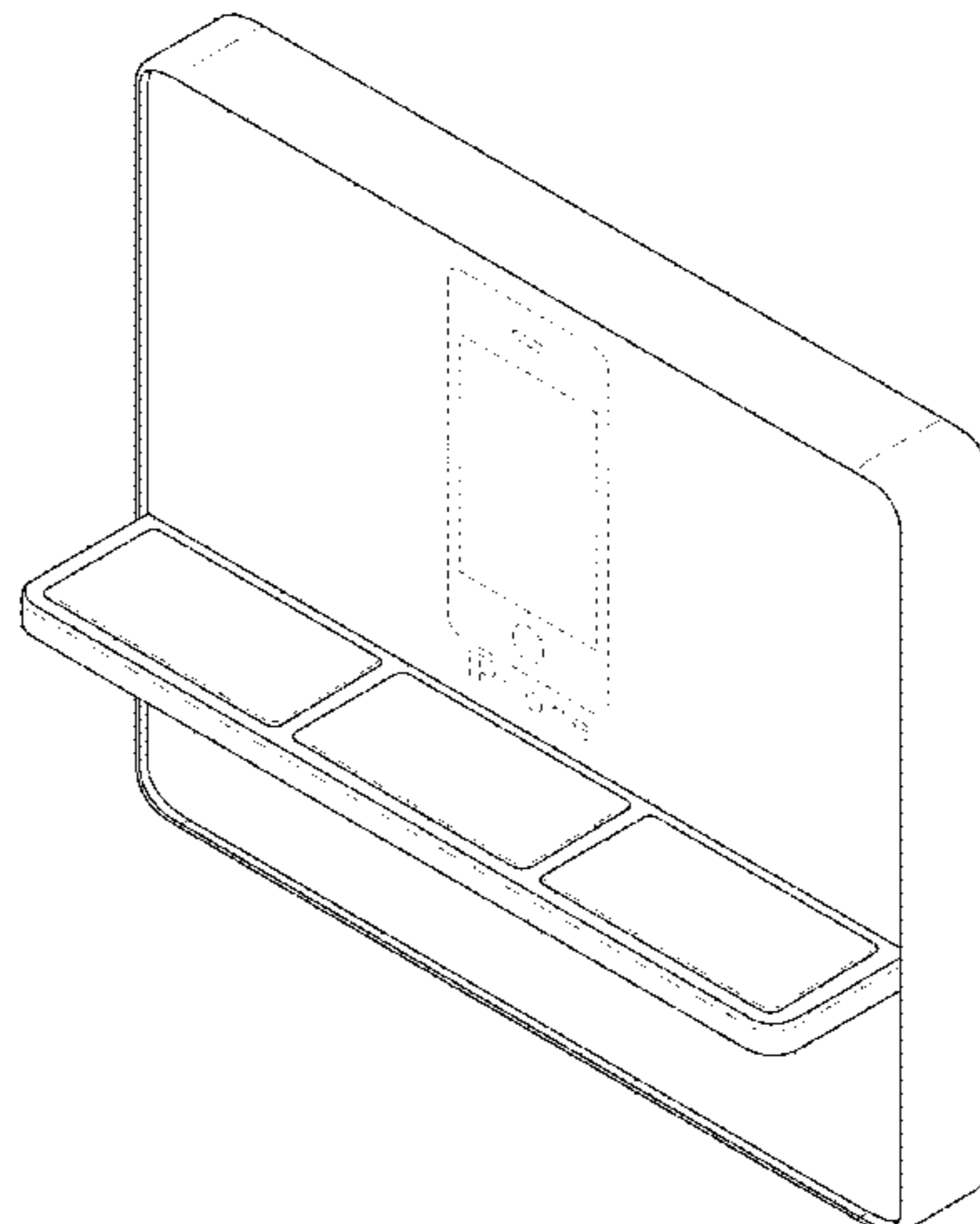
U.S. PATENT DOCUMENTS

D4,125 S 1/1911 Klee
D144,844 S 5/1945 Dunham

(Continued)

FIG. 1 is a top front perspective view of a retail fixture showing the claimed design;
FIG. 2 is a front view thereof;
FIG. 3 is a rear view thereof;
FIG. 4 is a left side view thereof;
FIG. 5 is a right side view thereof;
FIG. 6 is a top view thereof;
FIG. 7 is a bottom view thereof;
FIG. 8 is a top front perspective view of another retail fixture showing the claimed design;
FIG. 9 is a front view thereof;
FIG. 10 is a rear view thereof;
FIG. 11 is a left side view thereof;
FIG. 12 is a right side view thereof;
FIG. 13 is a top view thereof; and,
FIG. 14 is a bottom view thereof.
The broken lines in the figures show portions of the retail fixture that form no part of the claimed design.

1 Claim, 10 Drawing Sheets



(58) **Field of Classification Search**
 CPC A47B 73/00; A47B 73/002; A47B 47/00;
 A47B 47/008; A47B 47/25; A47F 5/00;
 A47F 5/0062
 See application file for complete search history.

(56) **References Cited**

U.S. PATENT DOCUMENTS

D212,886 S 12/1968 Gordon
 D218,325 S 8/1970 Sherman
 3,721,413 A 3/1973 Robinson
 3,740,881 A 6/1973 Finger
 4,116,509 A 9/1978 Smith
 D250,868 S 1/1979 Ornatek
 4,144,664 A 3/1979 De Korte
 D262,664 S 1/1982 Willits, Jr.
 D264,731 S 6/1982 Shuman
 D274,203 S 6/1984 Evered
 D279,201 S 6/1985 Shuman
 D291,512 S 8/1987 Everett
 D307,079 S * 4/1990 Robertson D20/10
 D317,681 S 6/1991 Stewart et al.
 D321,100 S 10/1991 Dorrell
 D323,944 S 2/1992 Maas
 D324,701 S 3/1992 Capps
 D335,963 S 6/1993 Tracey
 D347,755 S 6/1994 Houston
 D351,863 S 10/1994 Sarkisian et al.
 5,369,553 A * 11/1994 Trusiani G02B 6/0065
 362/604
 D354,638 S 1/1995 Todd et al.
 D359,488 S 6/1995 Hui
 D362,236 S 9/1995 Dann et al.
 D365,947 S 1/1996 Howard
 D369,044 S 4/1996 Lechleiter et al.
 5,577,817 A 11/1996 Reynolds
 D377,012 S 12/1996 Oslund
 5,607,070 A 3/1997 Hellyer
 D379,377 S 5/1997 Rath
 D392,686 S 3/1998 Sarkisian et al.
 D395,677 S 6/1998 Gongora et al.
 D396,251 S 7/1998 Mortensen
 D397,562 S 9/1998 DePottey et al.
 D398,653 S 9/1998 Hiraguchi et al.
 D400,737 S 11/1998 DePottey et al.
 D408,383 S 4/1999 Carter et al.
 5,890,607 A 4/1999 Maglione
 D410,036 S 5/1999 Washington
 D434,451 S 11/2000 Grimshaw
 D434,929 S 12/2000 Heiny et al.
 6,164,467 A 12/2000 DePottey et al.
 6,170,678 B1 1/2001 de la Fuente
 D438,256 S 2/2001 Timmermans et al.
 D443,308 S 6/2001 Kovell
 D446,821 S * 8/2001 Decaux D20/39
 6,357,609 B1 3/2002 Van Noord et al.
 D463,499 S 9/2002 Marcos
 D465,529 S 11/2002 Hummell
 D468,134 S 1/2003 Oikawa
 D470,892 S 2/2003 Linko, Sr.
 D478,582 S 8/2003 Becker et al.
 D497,485 S 10/2004 Resultan
 D501,284 S 1/2005 Mount
 D501,889 S * 2/2005 Harris D20/39
 D509,543 S 9/2005 Hillstrom et al.
 7,228,654 B2 6/2007 Stravitz
 D559,577 S 1/2008 Quinn
 D584,075 S 1/2009 Hung
 D585,943 S 2/2009 Pymm et al.
 D590,630 S 4/2009 Singler et al.
 D591,078 S * 4/2009 Singler D14/307
 D591,531 S 5/2009 Sparkowski
 D591,974 S 5/2009 Singler et al.
 D592,422 S 5/2009 Rheault
 D610,832 S 3/2010 Rheault
 D613,344 S 4/2010 Hradisky

D632,903 S 2/2011 Paul
 D636,441 S 4/2011 Potts
 D637,421 S 5/2011 Theisen et al.
 D639,086 S 6/2011 Curbbun et al.
 D642,360 S 8/2011 West
 D642,390 S 8/2011 West
 D642,824 S 8/2011 Theisen et al.
 D649,192 S 11/2011 Beukema et al.
 D657,978 S 4/2012 Hamm et al.
 D658,615 S 5/2012 Chiu
 D660,361 S 5/2012 Carver, Jr.
 D661,123 S 6/2012 Curbbun et al.
 D661,124 S 6/2012 Curbbun et al.
 8,228,668 B2 7/2012 Asamarai et al.
 D671,535 S 11/2012 Terashima et al.
 D676,430 S 2/2013 Blaser
 D678,696 S 3/2013 Hamm et al.
 D679,521 S 4/2013 Hamm et al.
 D682,581 S 5/2013 Kikkert et al.
 D683,982 S * 6/2013 Kikkert D6/674
 D684,792 S 6/2013 Kikkert et al.
 D685,205 S * 7/2013 Kikkert D6/674
 D688,494 S 8/2013 Hamm et al.
 D693,156 S 11/2013 Hamm et al.
 8,602,227 B1 12/2013 McDonald
 D700,901 S 3/2014 Giglio et al.
 D708,459 S * 7/2014 Heirakuji D6/675
 D709,952 S 7/2014 Logan et al.
 D713,658 S 9/2014 Tio et al.
 D717,085 S 11/2014 Trinh et al.
 D717,573 S 11/2014 Fishman et al.
 D722,313 S 2/2015 Birgeoglu
 D722,794 S * 2/2015 Luong D20/19
 D723,025 S 2/2015 Birgeoglu
 D723,026 S 2/2015 Birgeoglu
 D725,108 S 3/2015 Yeon
 D725,947 S 4/2015 Tio et al.
 D727,995 S 4/2015 Vilcovsky
 D728,281 S 5/2015 Heirakuji et al.
 D730,852 S 6/2015 Park et al.
 D734,965 S 7/2015 Tio et al.
 D737,604 S 9/2015 Bridger et al.
 D741,091 S 10/2015 Tio et al.
 D742,455 S 11/2015 Denby et al.
 D742,870 S 11/2015 Berini
 D750,970 S 3/2016 Moreno
 D753,754 S 4/2016 Vilcovsky et al.
 D756,137 S * 5/2016 Abelmann D6/336
 D758,105 S * 6/2016 Taraczky D6/672
 D758,106 S 6/2016 Hamm et al.
 D763,605 S 8/2016 Bridger et al.
 D767,922 S 10/2016 Jussila
 D769,651 S 10/2016 Tio et al.
 D770,203 S 11/2016 Thaler et al.
 D779,240 S 2/2017 Tio et al.
 D779,859 S * 2/2017 Richardson D6/675.3
 D785,975 S * 5/2017 Thaler D6/673
 D785,978 S 5/2017 Brown et al.
 D790,260 S 6/2017 Tio et al.
 D795,751 S 8/2017 Roth et al.
 D796,234 S 9/2017 Thaler et al.
 D806,447 S * 1/2018 Burton D6/657
 D806,448 S * 1/2018 Burton D6/657
 D807,086 S 1/2018 Tio et al.
 D813,832 S * 3/2018 Kim D14/126
 D815,864 S * 4/2018 Burton D6/675
 D821,116 S 6/2018 Hamm et al.
 D821,117 S 6/2018 Gorman et al.
 D824,702 S 8/2018 Tio et al.
 D824,894 S 8/2018 Marasco et al.
 D842,628 S * 3/2019 Siminoff D6/672
 D852,274 S * 6/2019 Lim D20/39
 2005/0279033 A1 12/2005 Faber et al.
 2007/0170823 A1 7/2007 Stannis et al.
 2014/0306584 A1 10/2014 DeMars
 2016/0217718 A1 * 7/2016 Silver G09F 13/18
 2017/0127832 A1 5/2017 Klacking

* cited by examiner

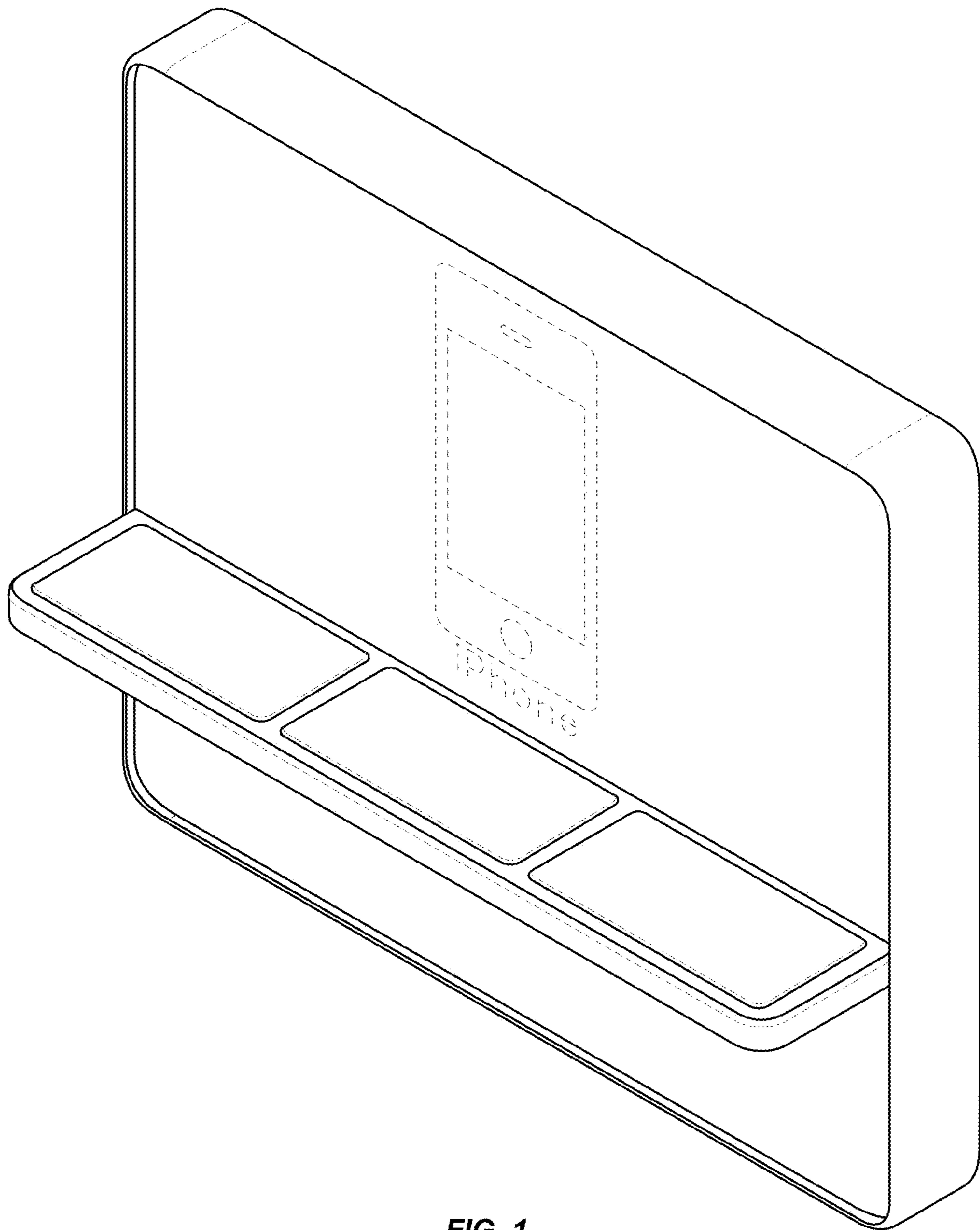


FIG. 1

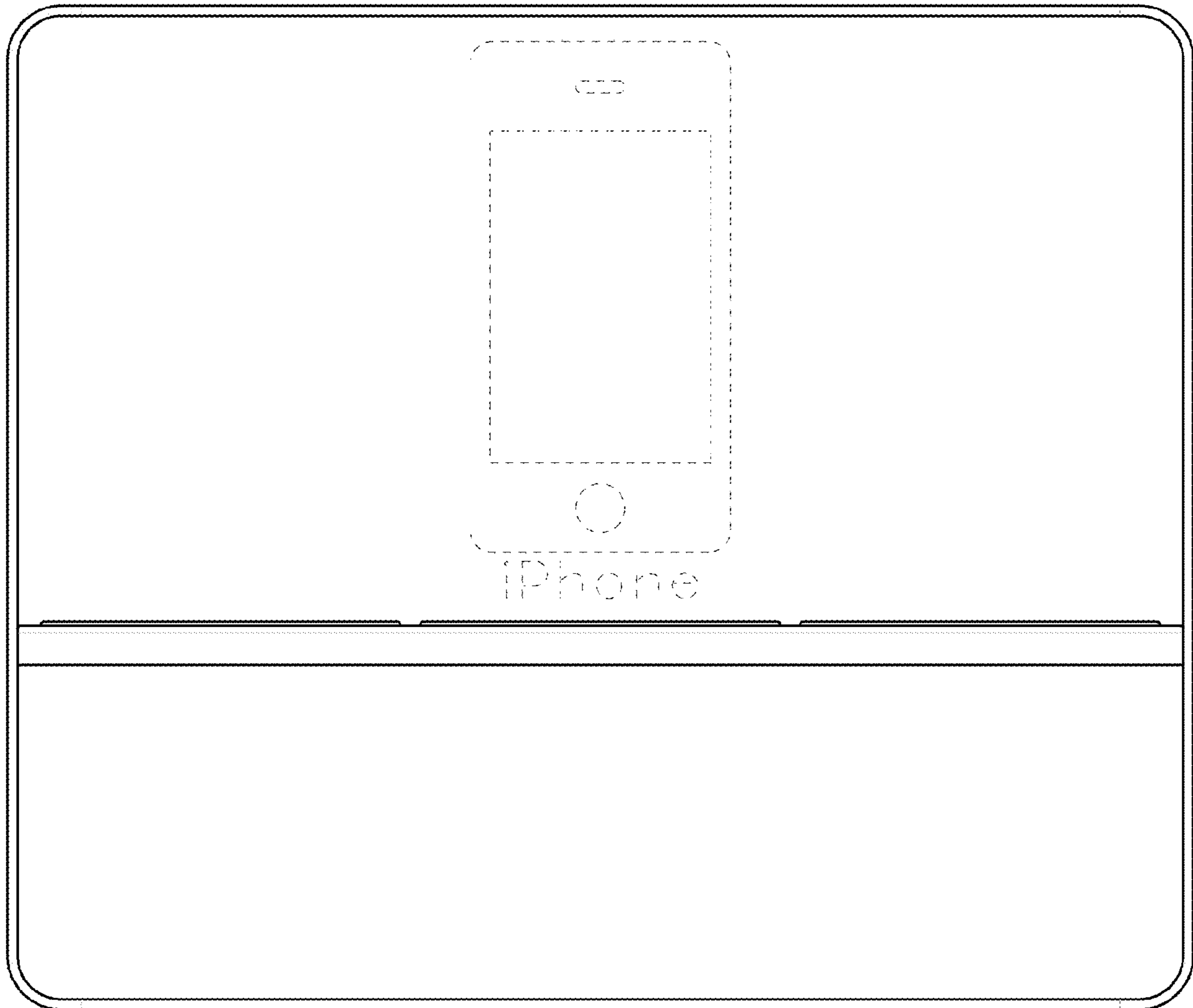


FIG. 2

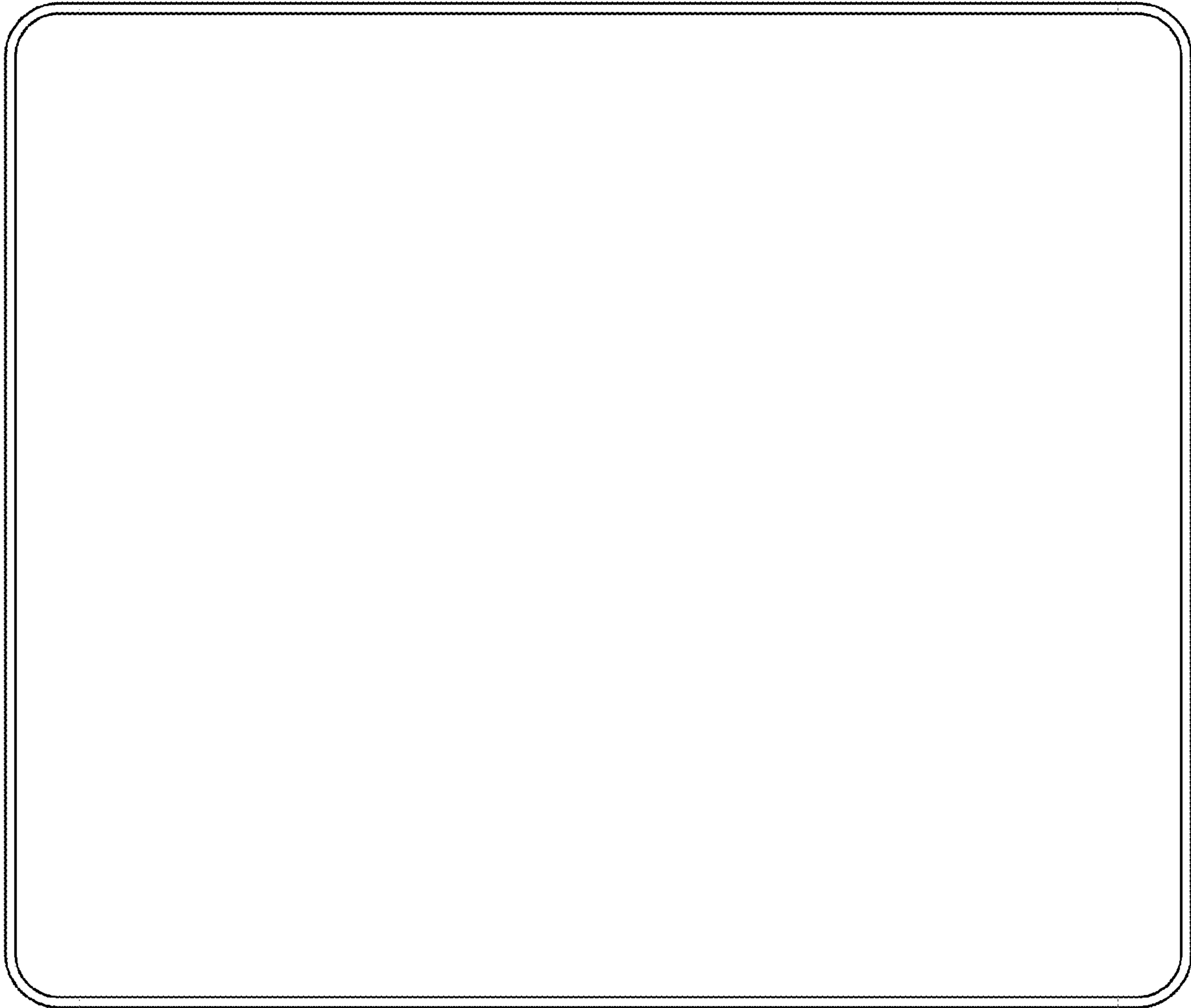


FIG. 3

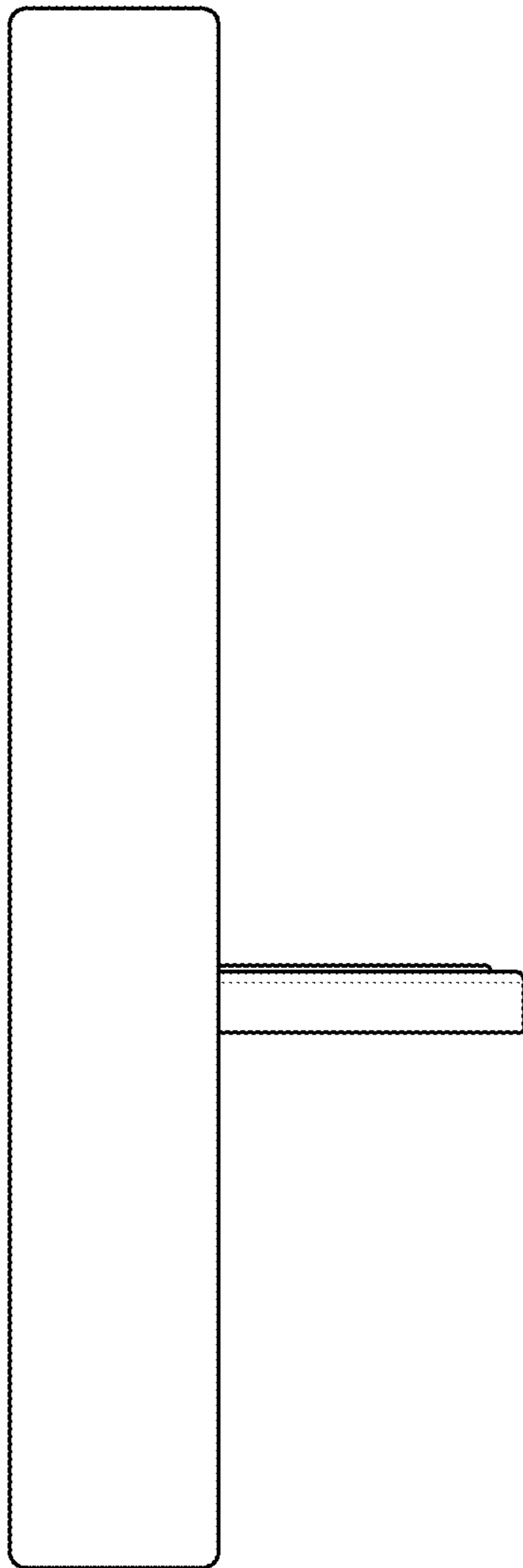


FIG. 4

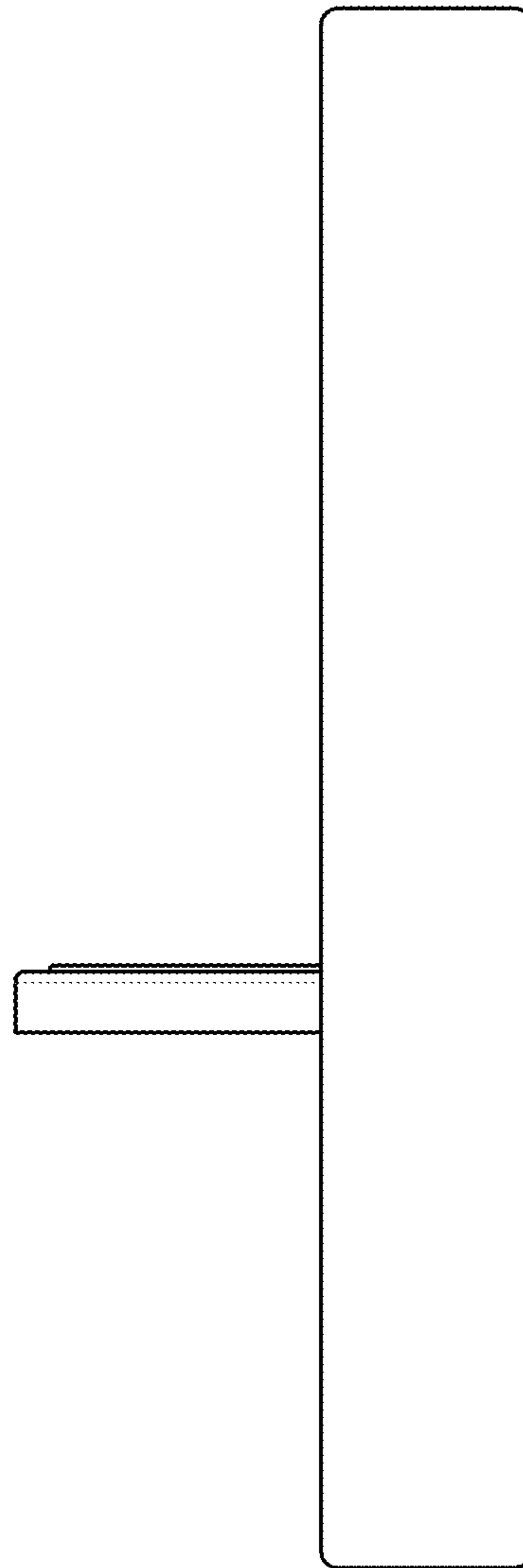


FIG. 5

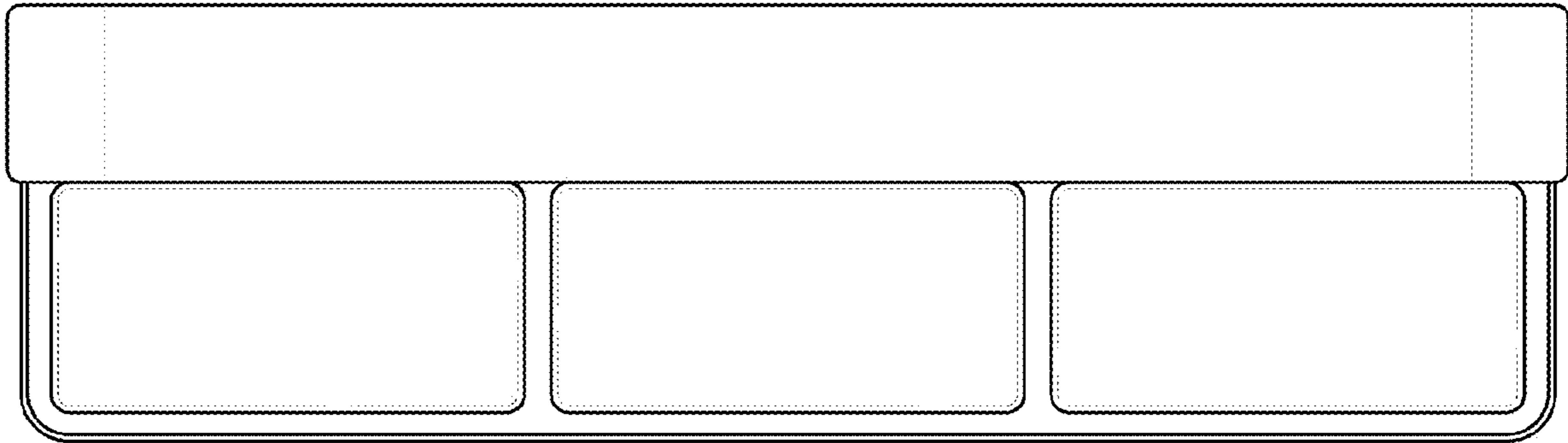


FIG. 6

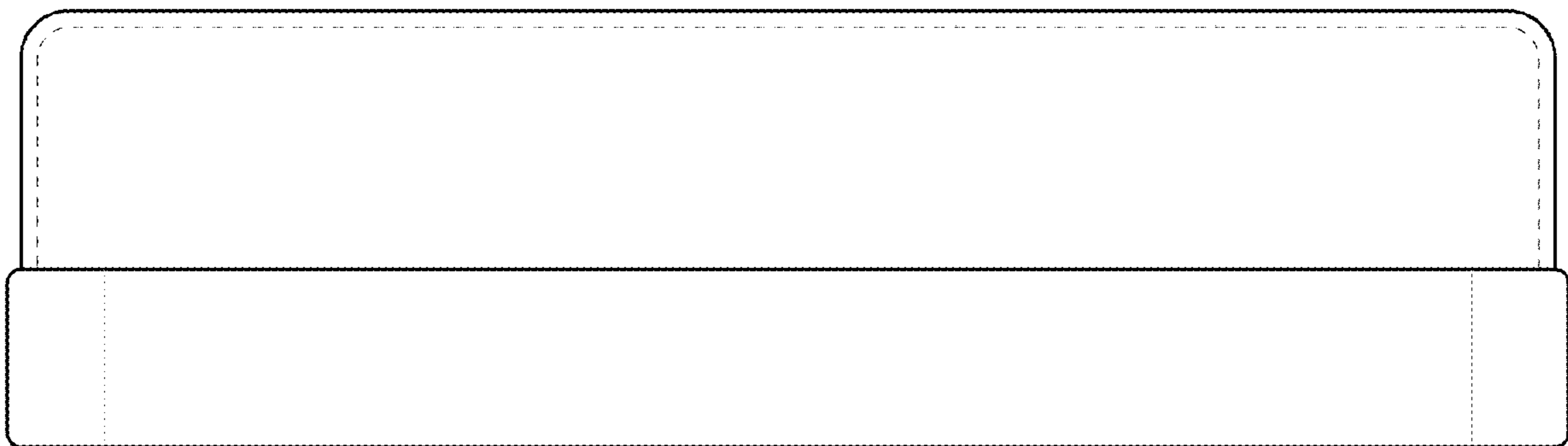


FIG. 7

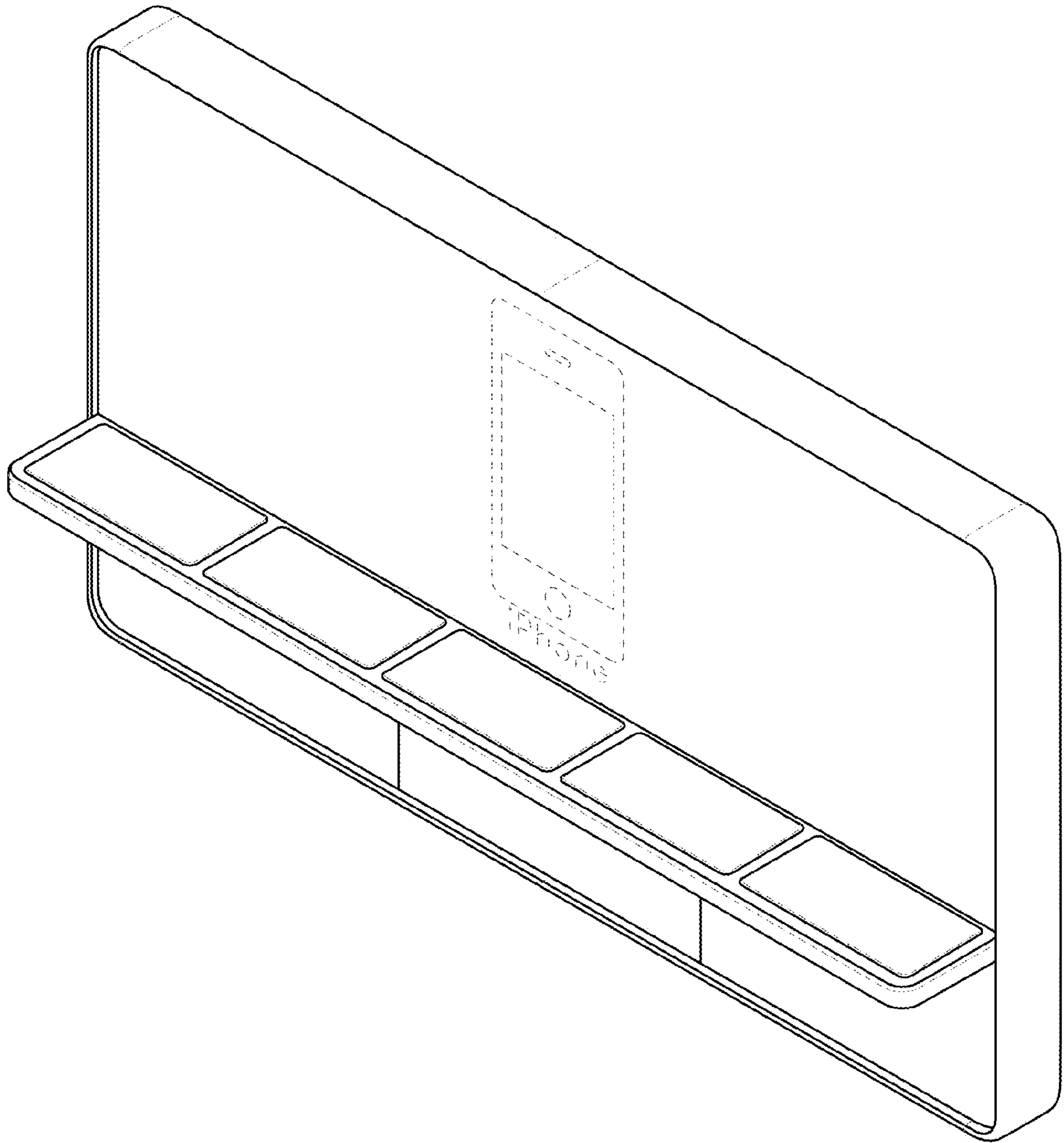


FIG. 8

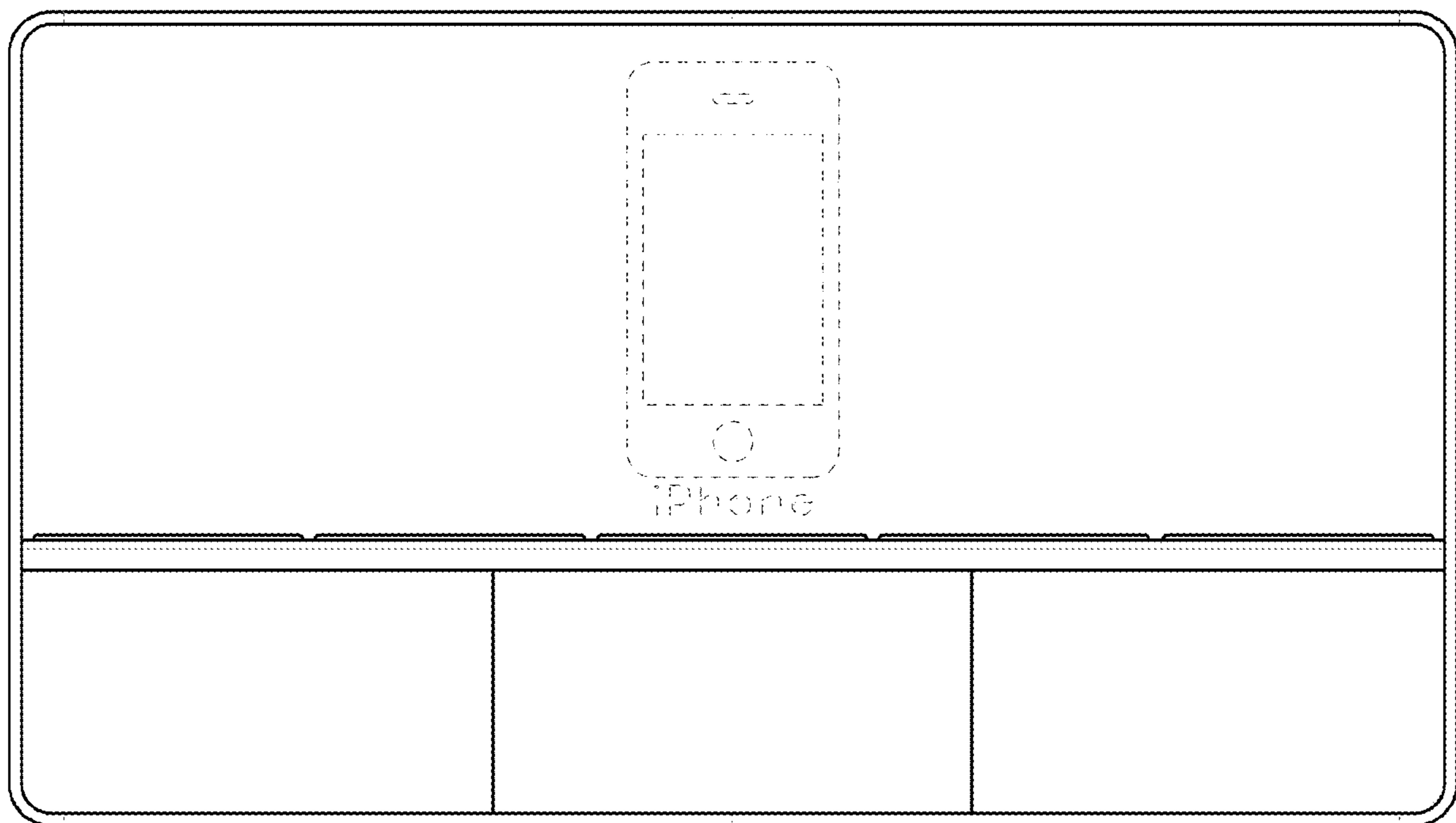


FIG. 9

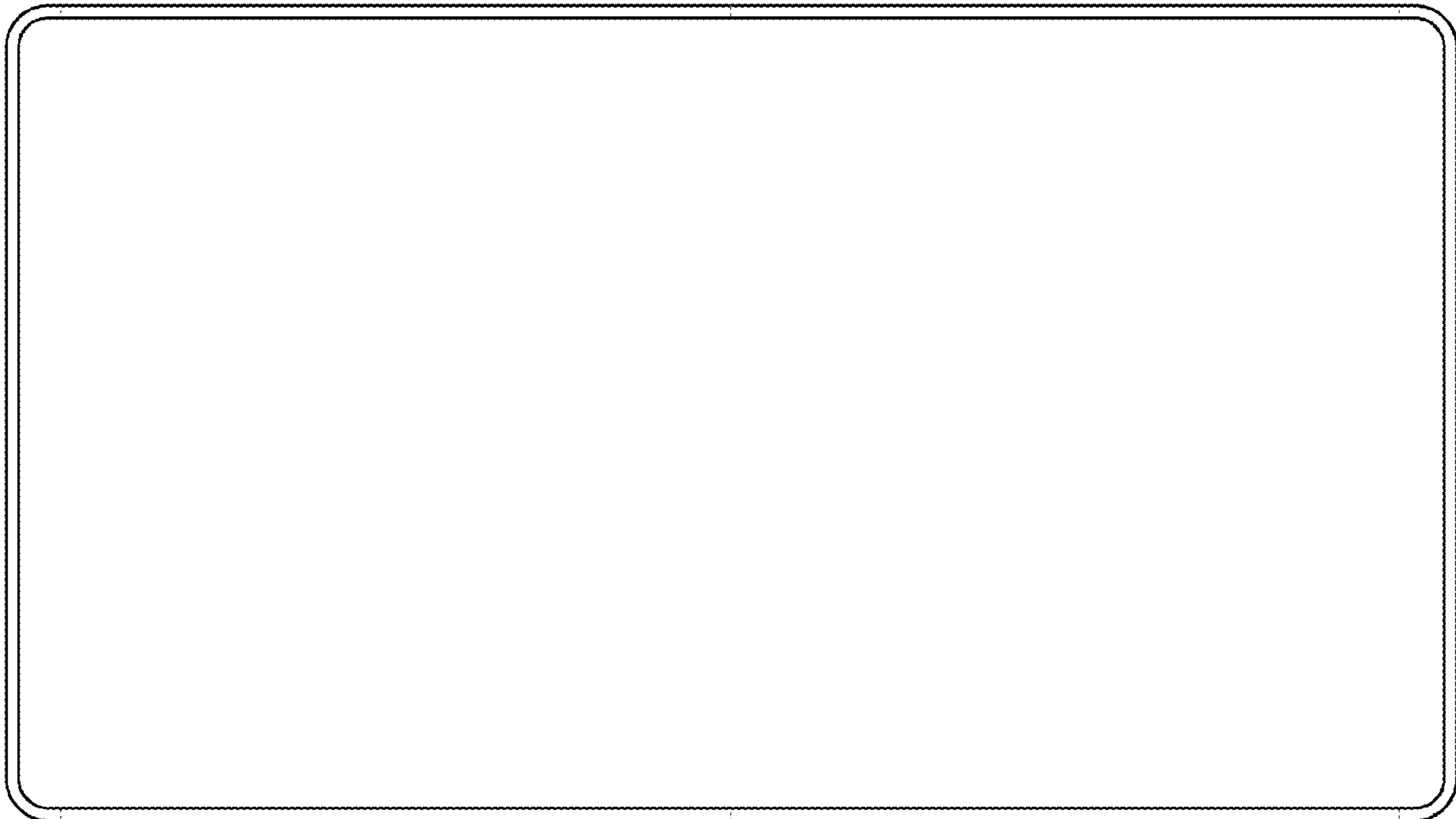


FIG. 10

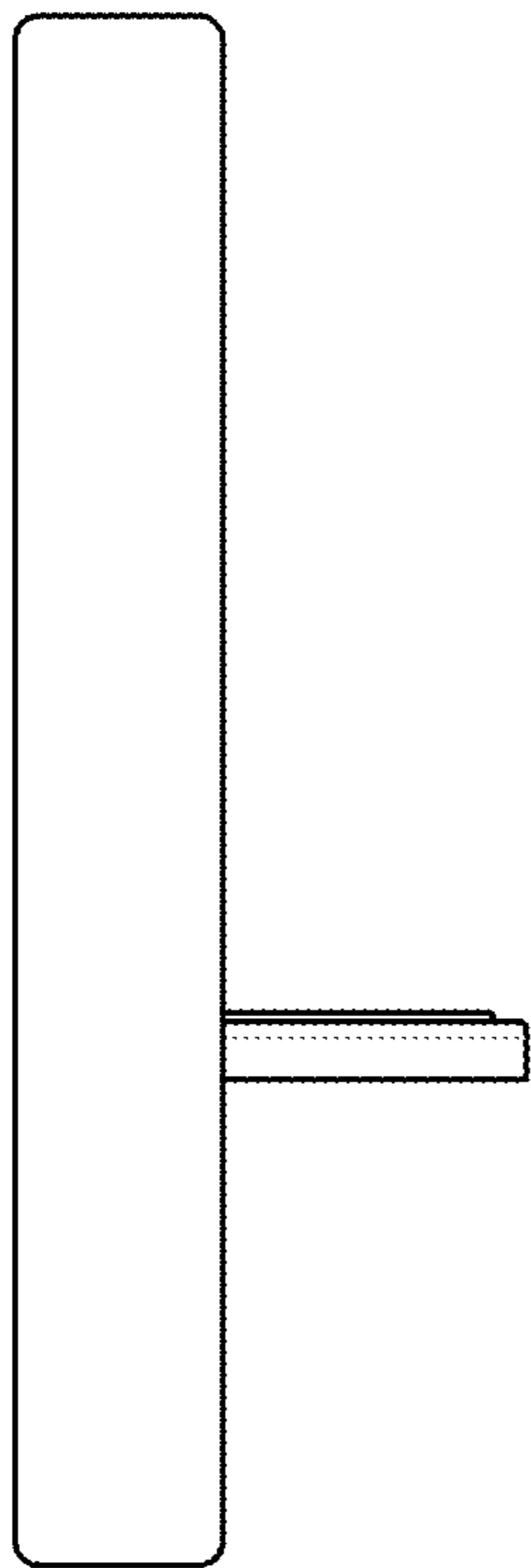


FIG. 11

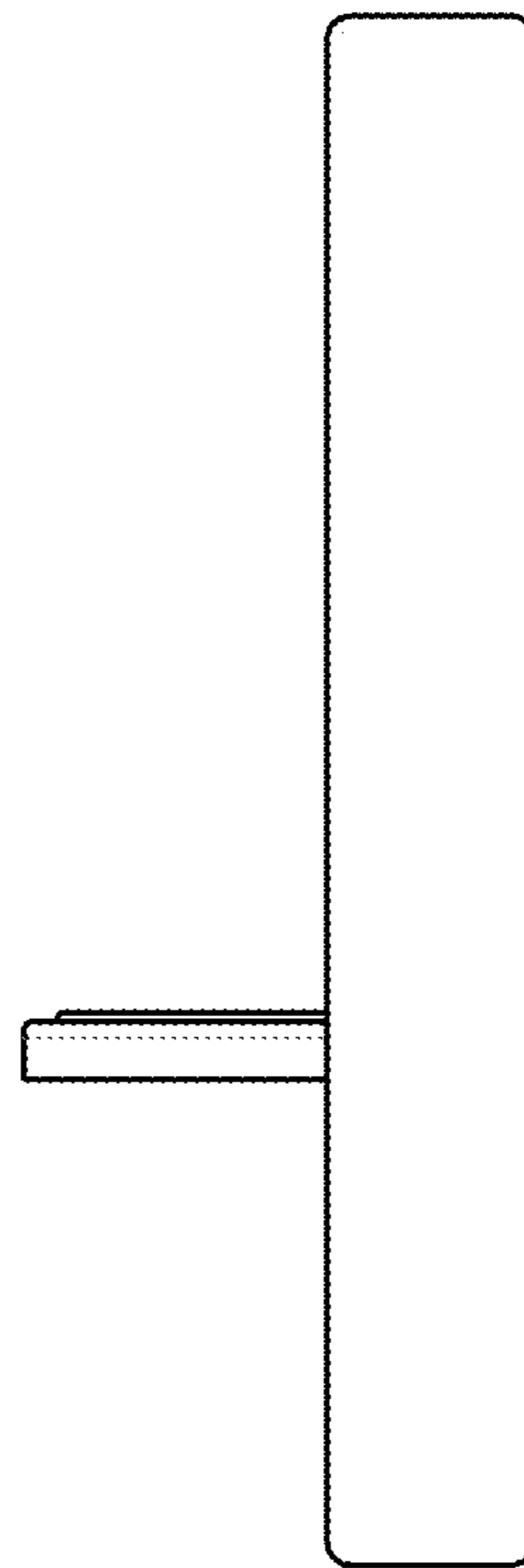


FIG. 12

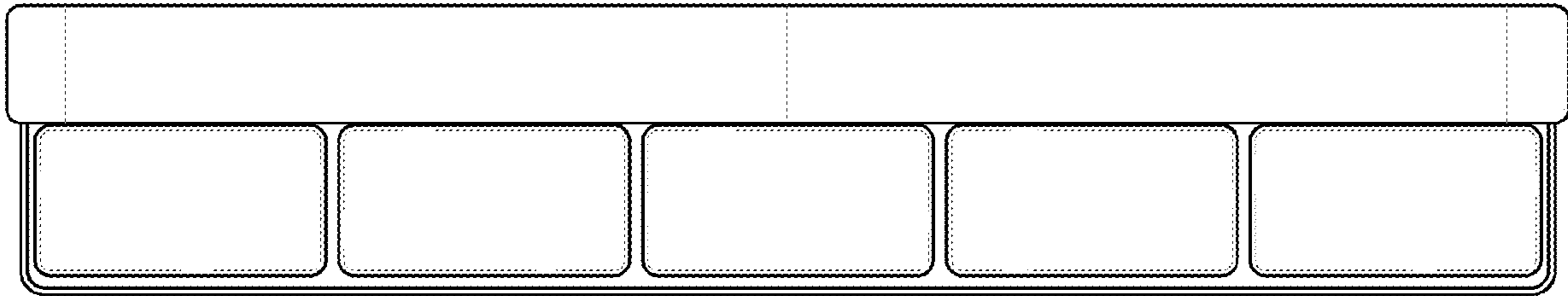


FIG. 13

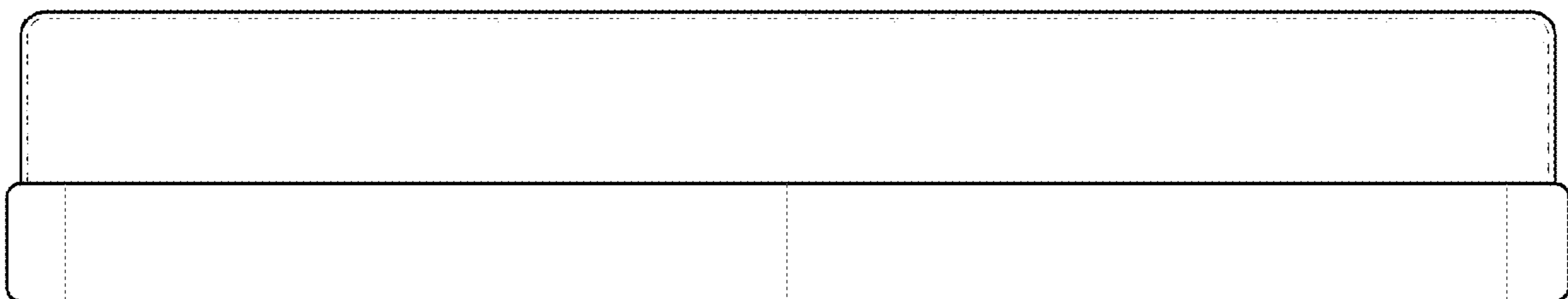


FIG. 14