



US00D877546S

(12) **United States Design Patent** (10) **Patent No.:** **US D877,546 S**
Spielmann et al. (45) **Date of Patent:** **** Mar. 10, 2020**

(54) **VERTICAL PANEL**
(71) Applicant: **Google LLC**, Mountain View, CA (US)
(72) Inventors: **Victoria A. Spielmann**, Piedmont, CA (US); **Li Xu**, Mountain View, CA (US); **Warit Tulyathorn**, San Francisco, CA (US)
(73) Assignee: **GOOGLE LLC**, Mountain View, CA (US)
(**) Term: **15 Years**
(21) Appl. No.: **29/630,470**
(22) Filed: **Dec. 21, 2017**
(51) **LOC (12) Cl.** **06-06**
(52) **U.S. Cl.**
USPC **D6/675**
(58) **Field of Classification Search**
USPC ... D6/672, 673, 675, 675.1, 678, 678.1, 682
CPC ... A47B 43/00; A47F 3/00; A47F 3/08; A47F 5/0018; A47F 5/0043; A47F 5/10
See application file for complete search history.

(56) **References Cited**

U.S. PATENT DOCUMENTS

D354,638 S * 1/1995 Todd D6/666
D397,562 S * 9/1998 DePottay D25/58
D679,521 S * 4/2013 Hamm D6/672
D693,156 S * 11/2013 Hamm D6/672
D729,560 S * 5/2015 Hamm D6/702
9,076,354 B1 * 7/2015 Peota G09F 15/0018
D739,166 S * 9/2015 Dockery D6/672
D756,137 S * 5/2016 Abelmann D6/336
D758,106 S * 6/2016 Hamm D6/672
D770,203 S * 11/2016 Thaler D6/673
D779,859 S * 2/2017 Richardson D6/675.3
D806,447 S * 1/2018 Burton D6/657
D807,086 S * 1/2018 Tio D6/675

D815,864 S * 4/2018 Burton D6/675
D817,042 S * 5/2018 Gauggel D6/682.4
D824,702 S * 8/2018 Tio D6/675
D836,956 S * 1/2019 Tsuchiyama D6/675.1
D842,627 S * 3/2019 Siminoff D6/672
D842,628 S * 3/2019 Siminoff D6/672

(Continued)

Primary Examiner — Kelley A Donnelly

(74) *Attorney, Agent, or Firm* — Leason Ellis LLP

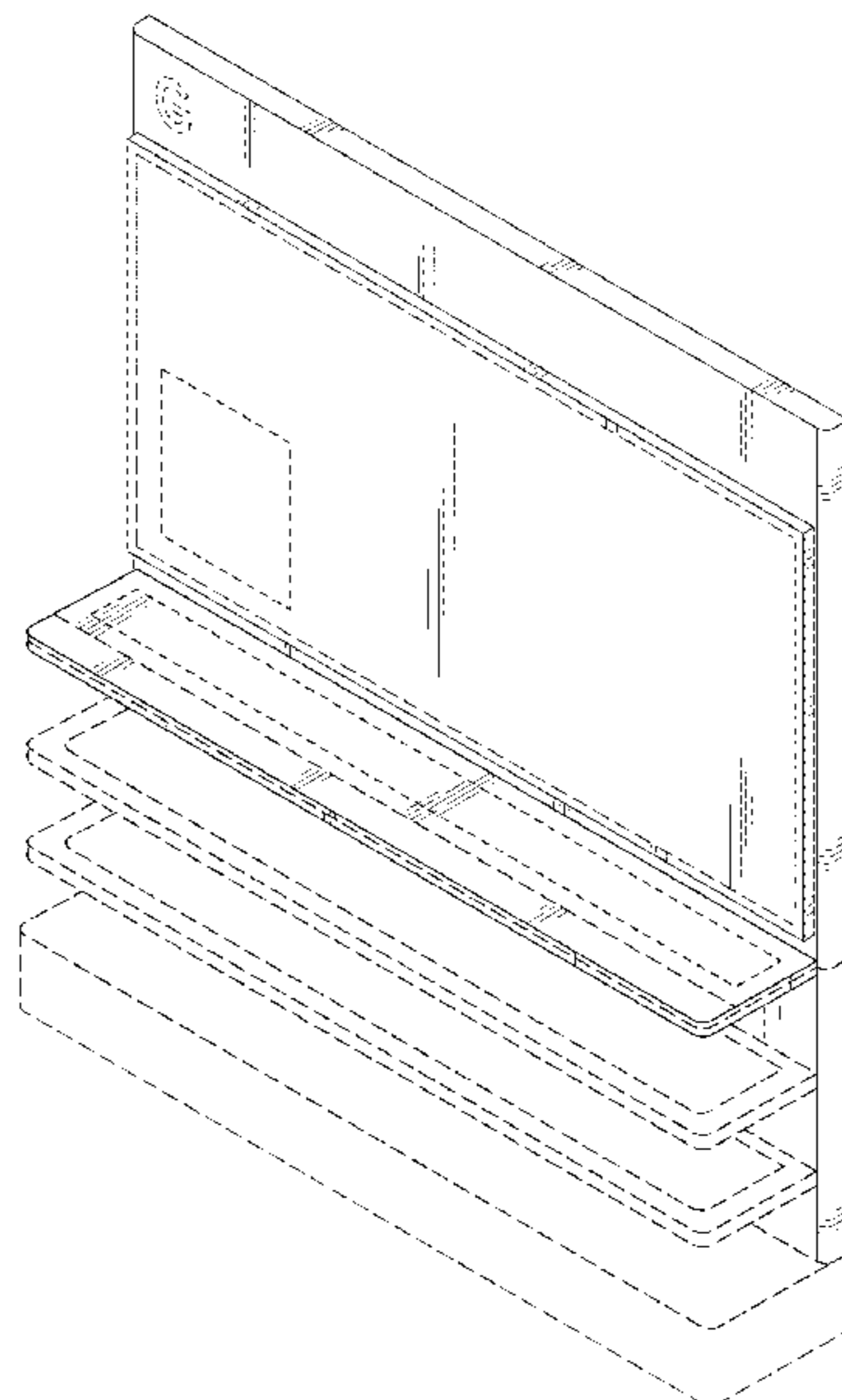
(57) **CLAIM**

The ornamental design for a vertical panel, as shown and described.

DESCRIPTION

FIG. 1 is a perspective view of a vertical panel according to a first embodiment of our new design;
FIG. 2 is a front plan view thereof;
FIG. 3 is a back plan view thereof;
FIG. 4 is a left side view thereof;
FIG. 5 is a right side view thereof;
FIG. 6 is a top plan view thereof;
FIG. 7 is a bottom plan view thereof;
FIG. 8 is a front plan view of a second embodiment of the vertical panel, having the same appearance as FIGS. 1 through 7;
FIG. 9 is a front plan view of a third embodiment of the vertical panel, having the same appearance as FIGS. 1 through 7; and,
FIG. 10 is a front plan view of a fourth embodiment of the vertical panel, having the same appearance as FIGS. 1 through 7.
The longer dash-dash broken lines illustrate environmental structure and form no part of the claimed design.
The shorter dash-dash broken lines, in FIGS. 1, 2, 6, 8, 9 and 10, is meant to portray an unclaimed structure (e.g. an electronic display panel) that can illuminate from inside the vertical panel and be perceived therethrough.

1 Claim, 8 Drawing Sheets



(56)

References Cited

U.S. PATENT DOCUMENTS

2005/0279033 A1 * 12/2005 Faber E04B 2/7433
52/36.4

* cited by examiner

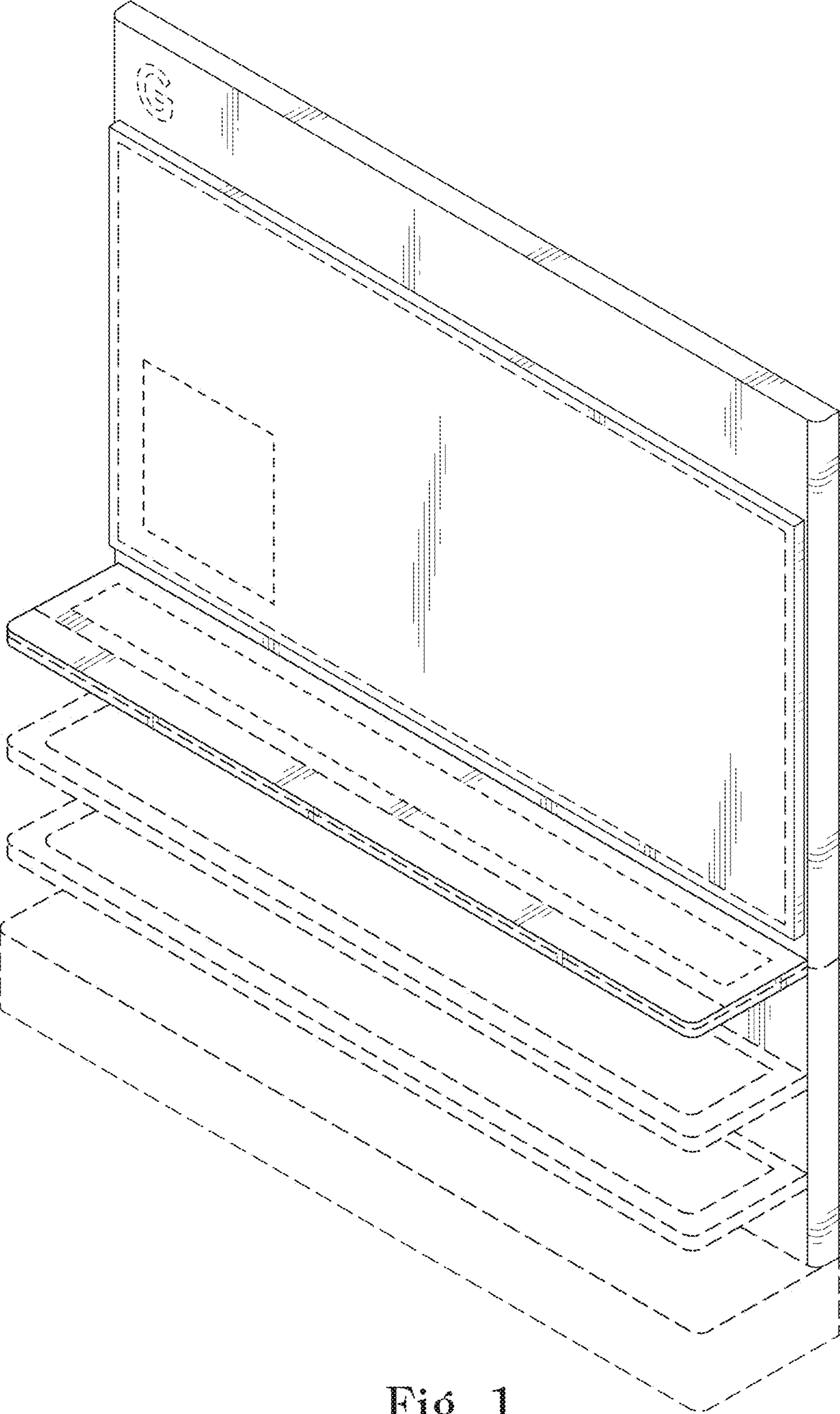


Fig. 1

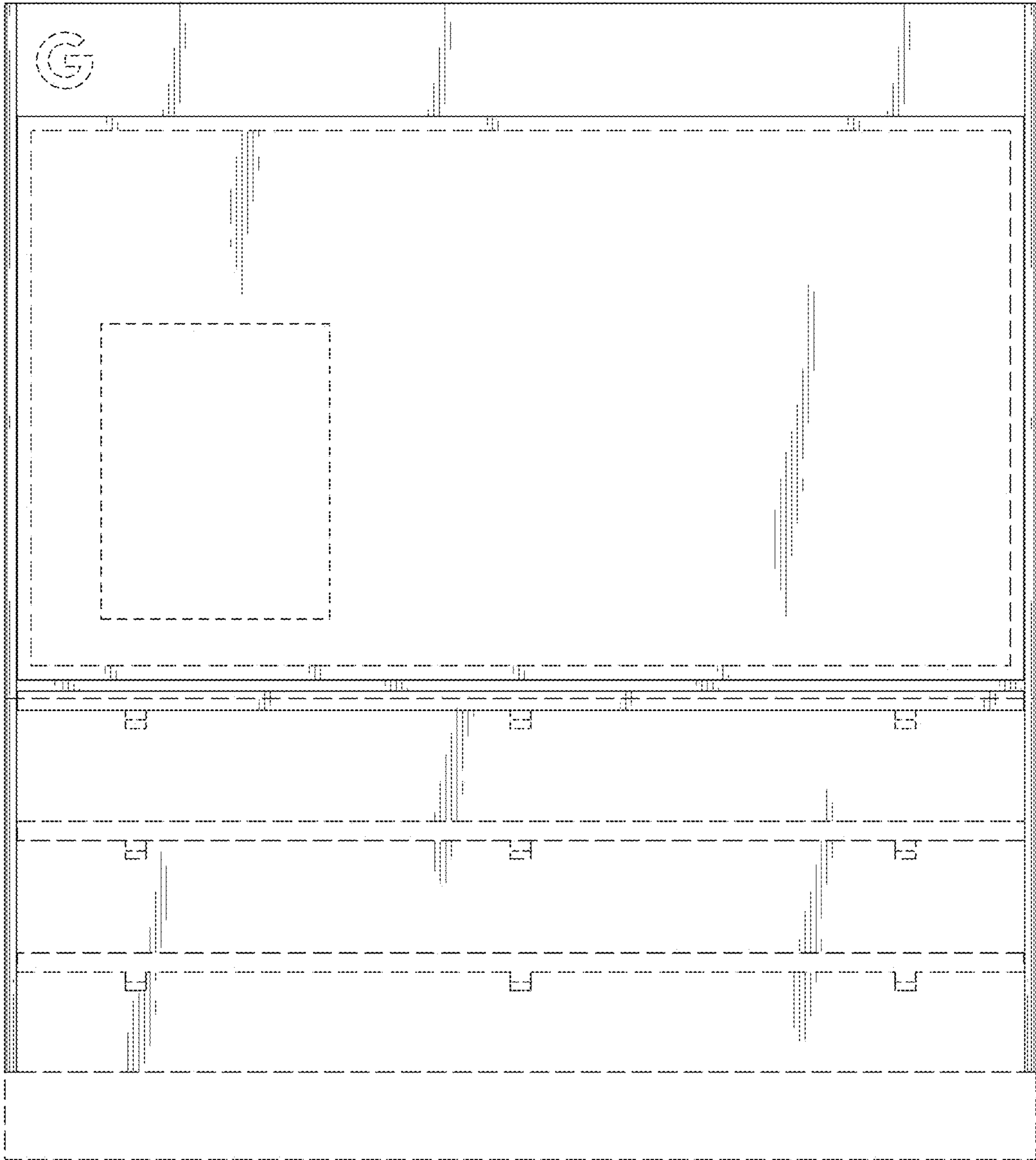


Fig. 2

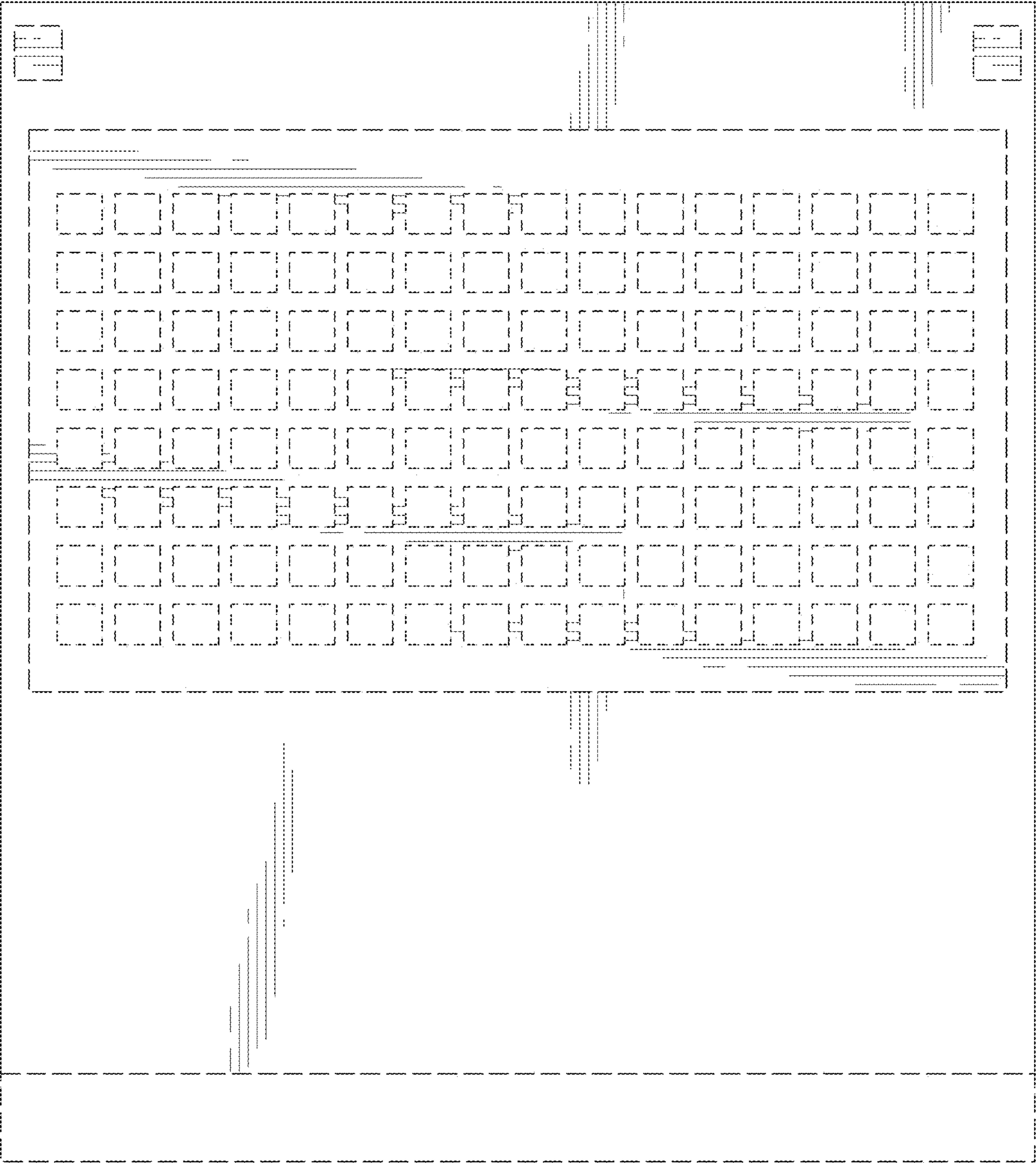


Fig. 3

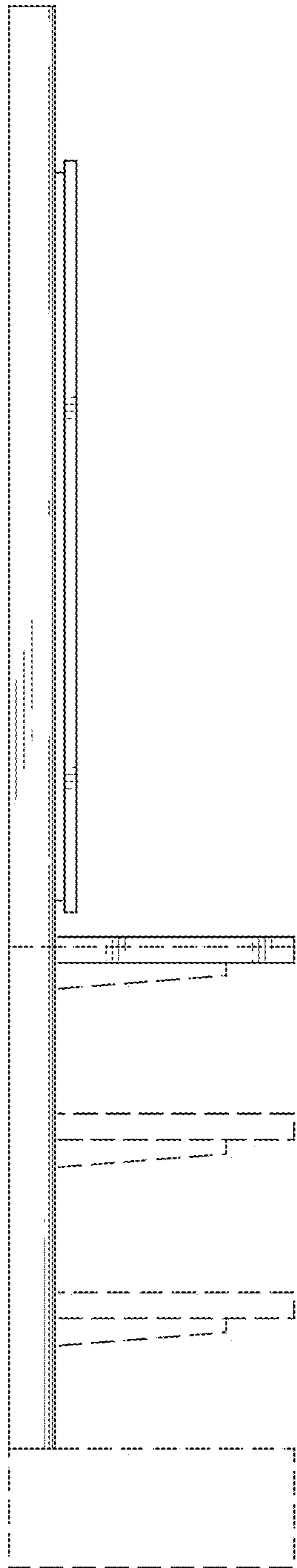


Fig. 4

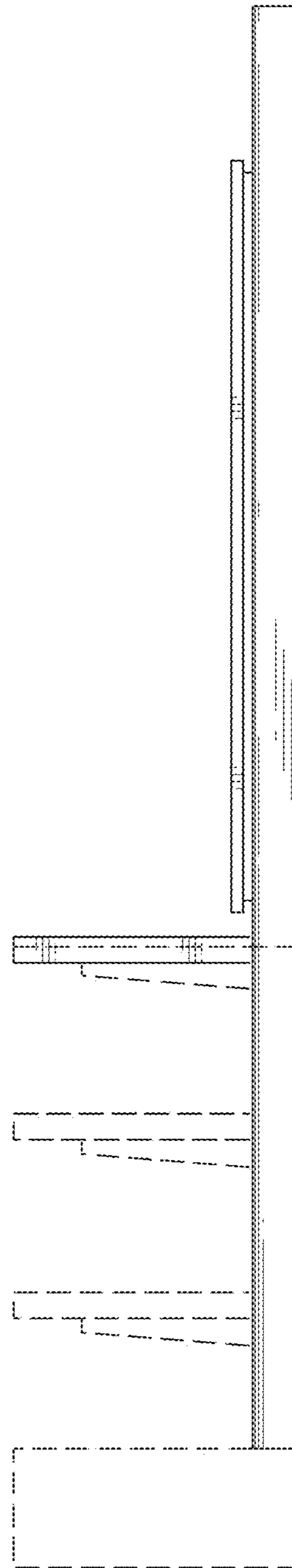


Fig. 5

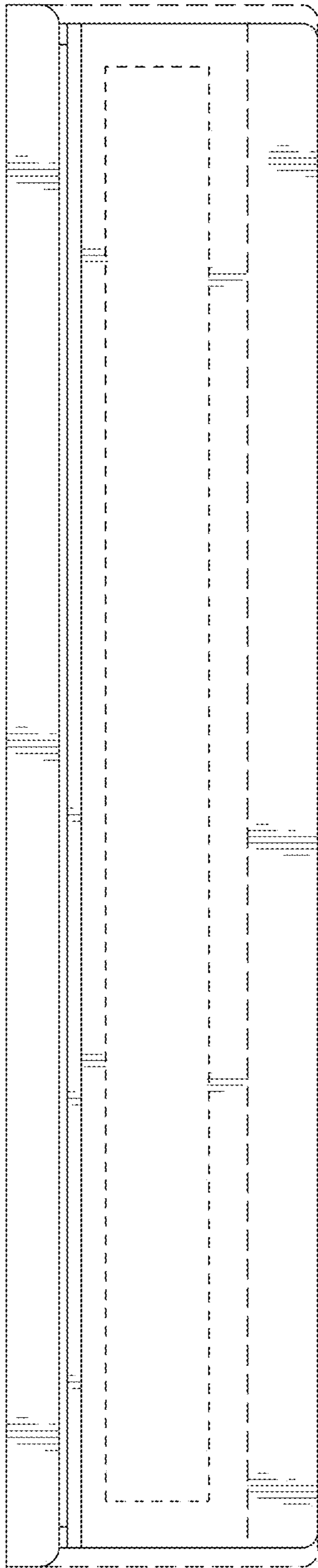


Fig. 6

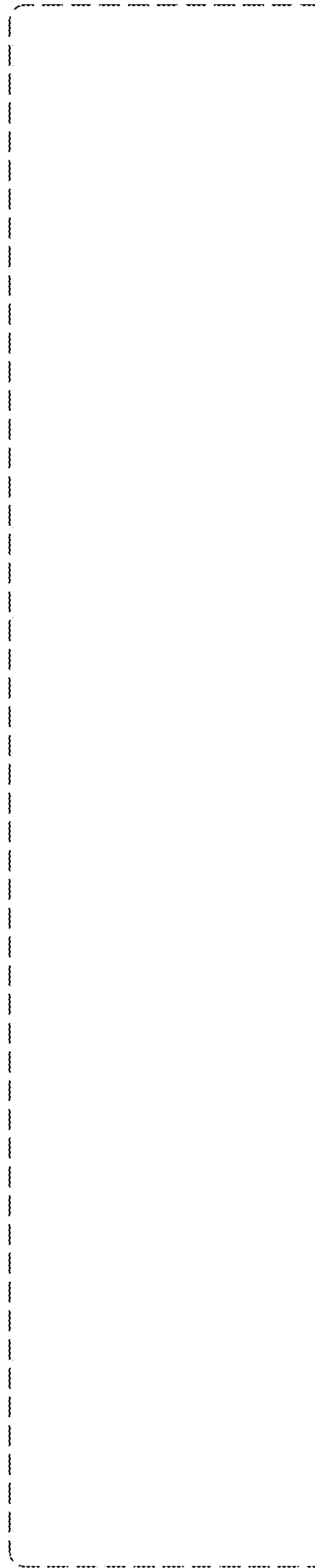


Fig. 7

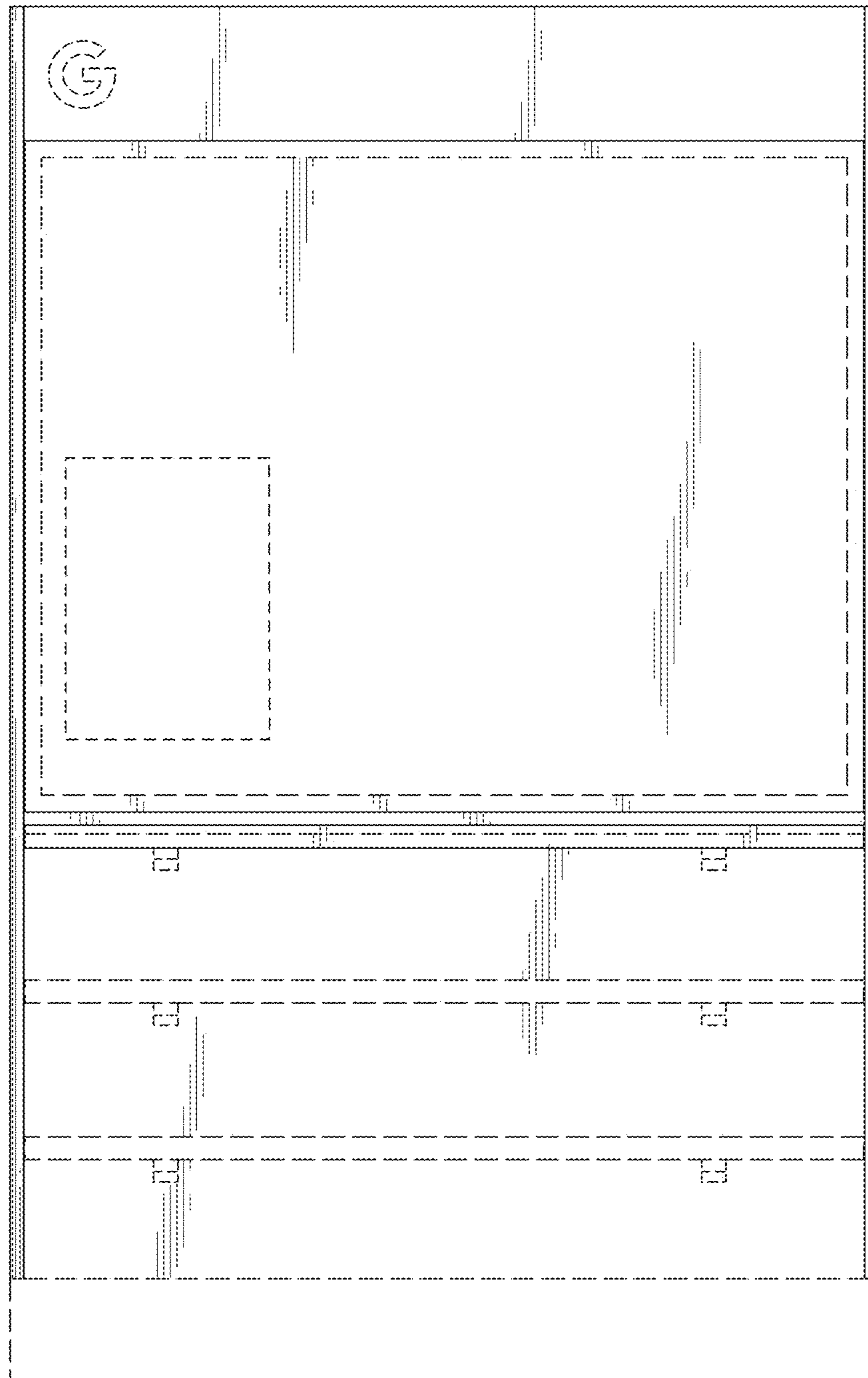


Fig. 8

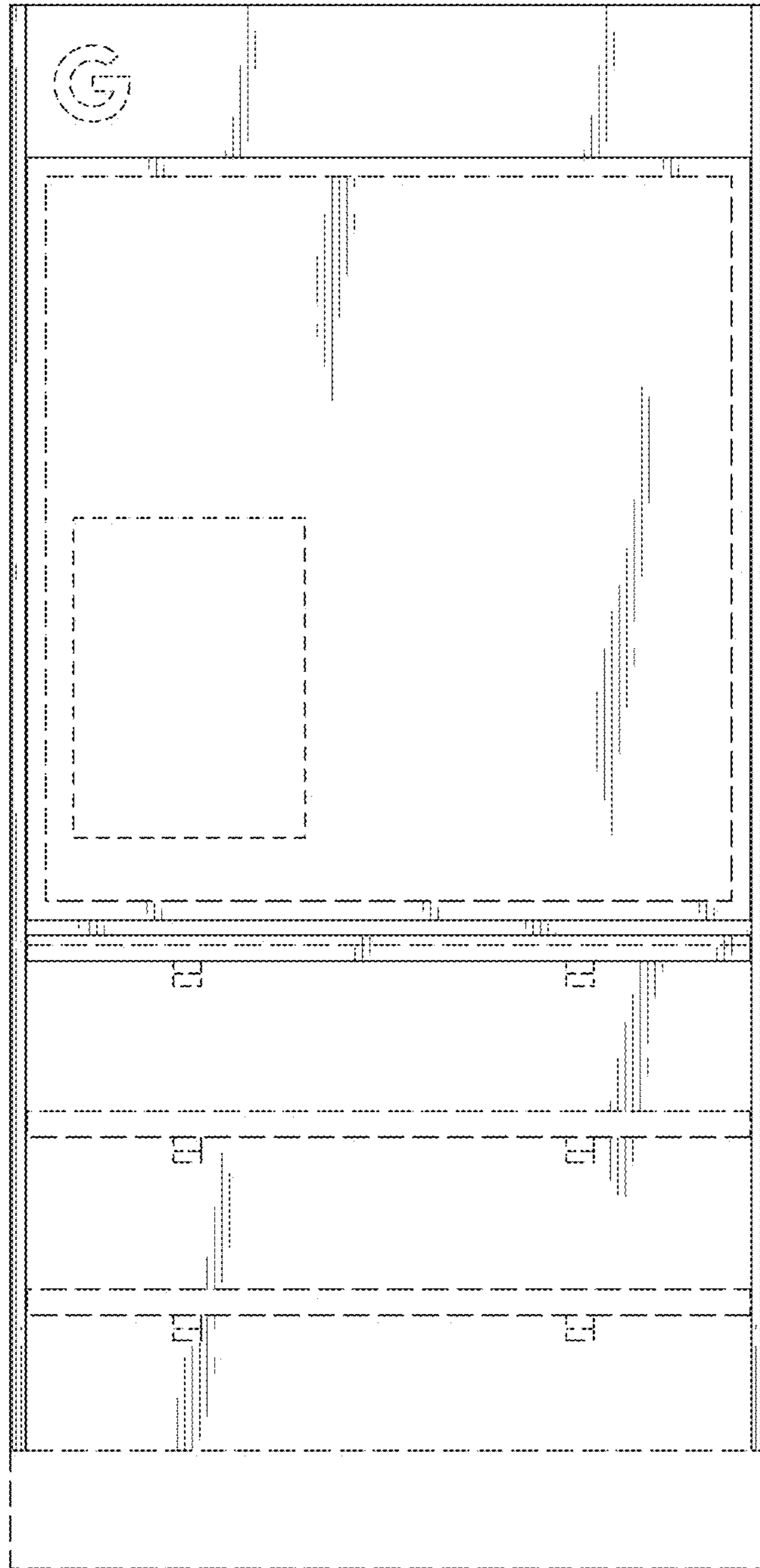


Fig. 9

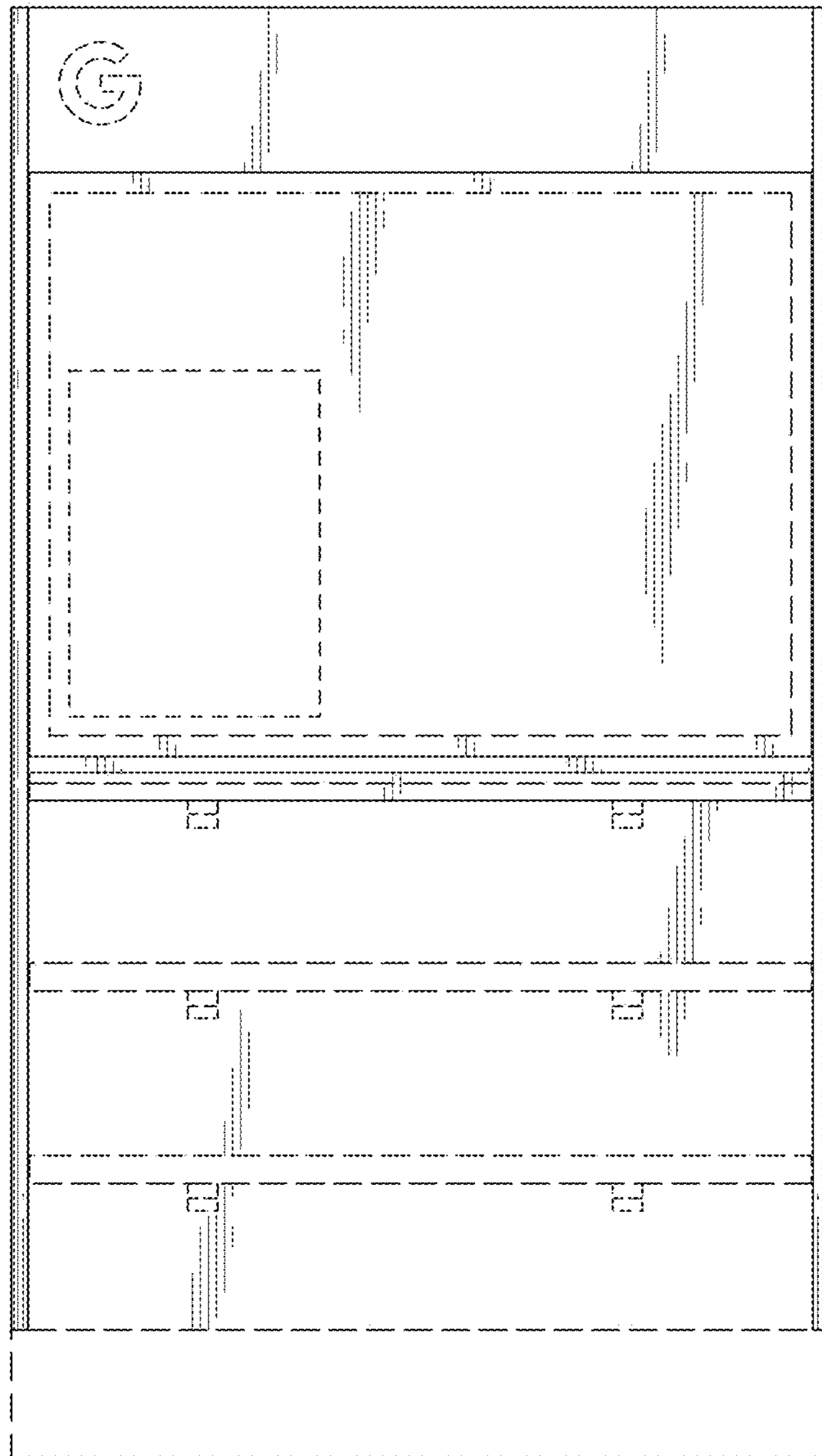


Fig. 10