



US00D877544S

(12) **United States Design Patent**  
**Hu**

(10) **Patent No.:** **US D877,544 S**  
(45) **Date of Patent:** **\*\* Mar. 10, 2020**

- (54) **HEIGHT ADJUSTABLE DESK WITH I SHAPED LEGS**
- (71) Applicant: **Yajun Hu**, El Dorado Hills, CA (US)
- (72) Inventor: **Yajun Hu**, El Dorado Hills, CA (US)
- (73) Assignees: **Yajun Hu**, El Dorado Hills, CA (US); **EUREKA LLC.**, El Dorado Hills, CA (US)

(\*\*) Term: **15 Years**  
(21) Appl. No.: **29/659,273**

- (22) Filed: **Aug. 7, 2018**
- (51) **LOC (12) Cl.** ..... **06-03**
- (52) **U.S. Cl.**  
USPC ..... **D6/656.16**
- (58) **Field of Classification Search**  
USPC ..... D6/353, 368, 642, 644, 649, 651, 655,  
D6/655.1, 655.11, 655.12, 655.13, 655.14,  
D6/655.15, 655.16, 655.17, 655.2, 656,  
D6/656.13, 656.15, 656.16, 656.19, 657,  
D6/663, 686, 691, 709  
CPC ..... A47B 81/00; A47B 88/00; A47B 88/41;  
A47B 88/42; A47B 2210/16; B62B 3/00;  
B60B 33/00  
See application file for complete search history.

(56) **References Cited**  
U.S. PATENT DOCUMENTS

D334,678 S *	4/1993	Hinden	.....	D6/656.13
D478,225 S	8/2003	Wang		
D499,273 S	12/2004	Chang		
D499,576 S	12/2004	Long		
D526,812 S	8/2006	Chen		
D547,970 S	8/2007	Chou		
D549,009 S	8/2007	Lin		
D776,961 S *	1/2017	Yamamoto	.....	D6/656.16
9,591,919 B2	3/2017	Ergun et al.		
9,635,932 B2	5/2017	Kelley et al.		

9,700,136 B1 *	7/2017	Zebarjad	.....	A47B 9/02
D794,359 S *	8/2017	Yamamoto	.....	D6/656
9,814,307 B1 *	11/2017	Hall	.....	B25H 1/14
D807,083 S *	1/2018	Yamamoto	.....	D6/656.16
D819,371 S *	6/2018	Cao	.....	D6/656.16
D861,382 S *	10/2019	Hu	.....	D6/656.11
D862,128 S *	10/2019	Hu	.....	D6/656.11

(Continued)

**OTHER PUBLICATIONS**

VIVO, posted at Amazon.com, posted on Jul. 12, 2019, site visited Nov. 19, 2019. online, available from internet: <https://www.amazon.com/dp/B07V714VJM> (Year: 2019).\*

(Continued)

*Primary Examiner* — Mary Ann Calabrese  
*Assistant Examiner* — Catherine Ho

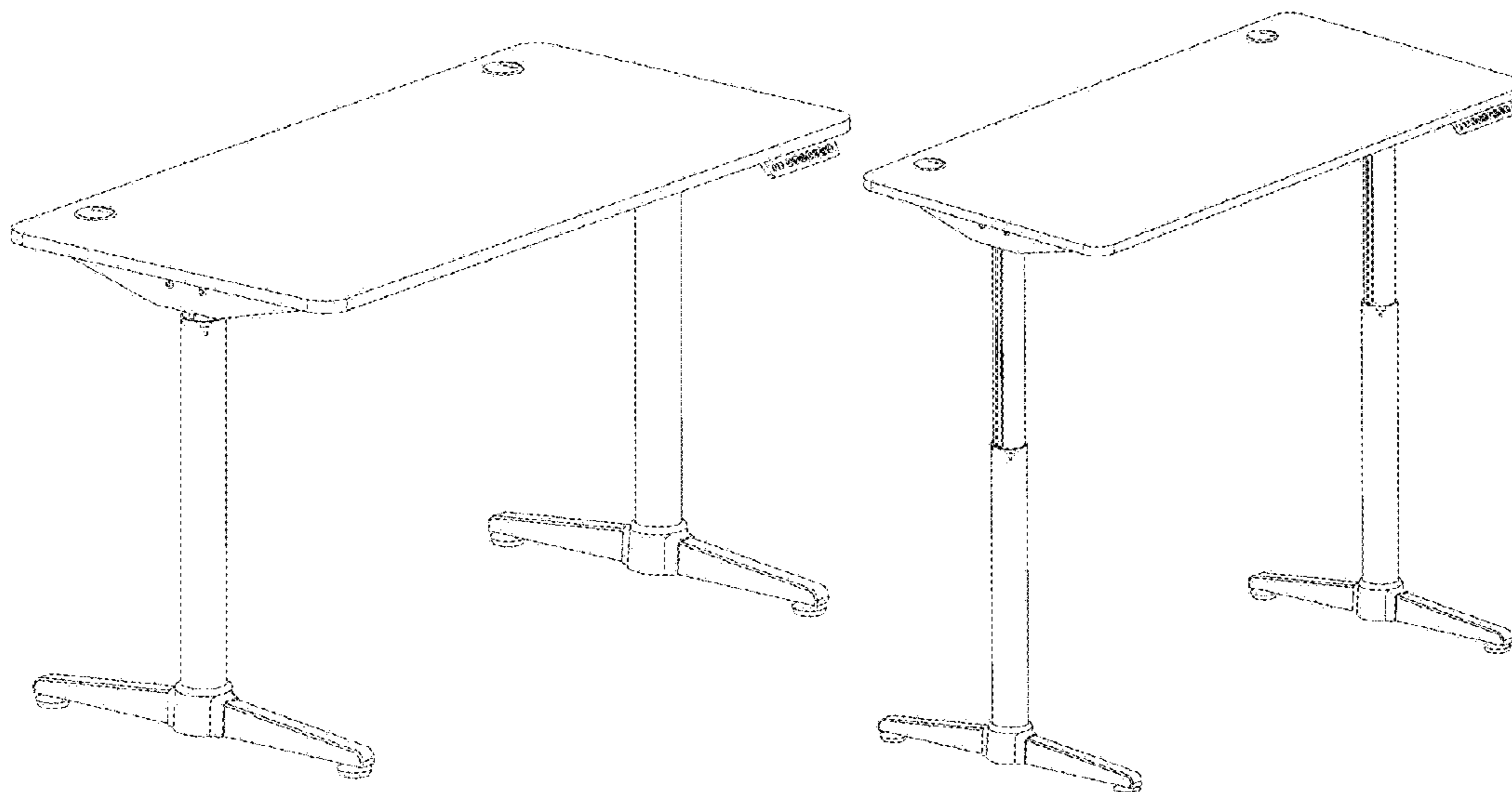
(57) **CLAIM**

I claim the ornamental design for a height adjustable desk with I shaped legs, as shown and described.

**DESCRIPTION**

FIG. 1 is a perspective view of a height adjustable desk with I shaped legs in a collapsed position, showing my new design;  
 FIG. 2 is a front view thereof;  
 FIG. 3 is a bottom view thereof;  
 FIG. 4 is a top view thereof;  
 FIG. 5 is a rear side view thereof;  
 FIG. 6 is a left side view thereof;  
 FIG. 7 is a right side view thereof;  
 FIG. 8 is a perspective view of a height adjustable desk with I shaped legs in an extended position;  
 FIG. 9 is a front view thereof;  
 FIG. 10 is a rear side view thereof;  
 FIG. 11 is a left side view thereof; and,  
 FIG. 12 is a right side view thereof.

**1 Claim, 12 Drawing Sheets**



(56)

**References Cited**

U.S. PATENT DOCUMENTS

D862,129 S \* 10/2019 Hu ..... D6/656.17  
D865,405 S \* 11/2019 Hu ..... D6/656.16  
2014/0096706 A1\* 4/2014 Labrosse ..... A47B 21/02  
108/21  
2017/0251806 A1\* 9/2017 Newman ..... A47B 21/02

OTHER PUBLICATIONS

Jarvis, posted at Amazon.com, posted on Mar. 6, 2019, site visited  
Nov. 19, 2019. online, available from internet: <https://www.amazon.com/dp/B07PJTGVN2> (Year: 2019).\*

\* cited by examiner

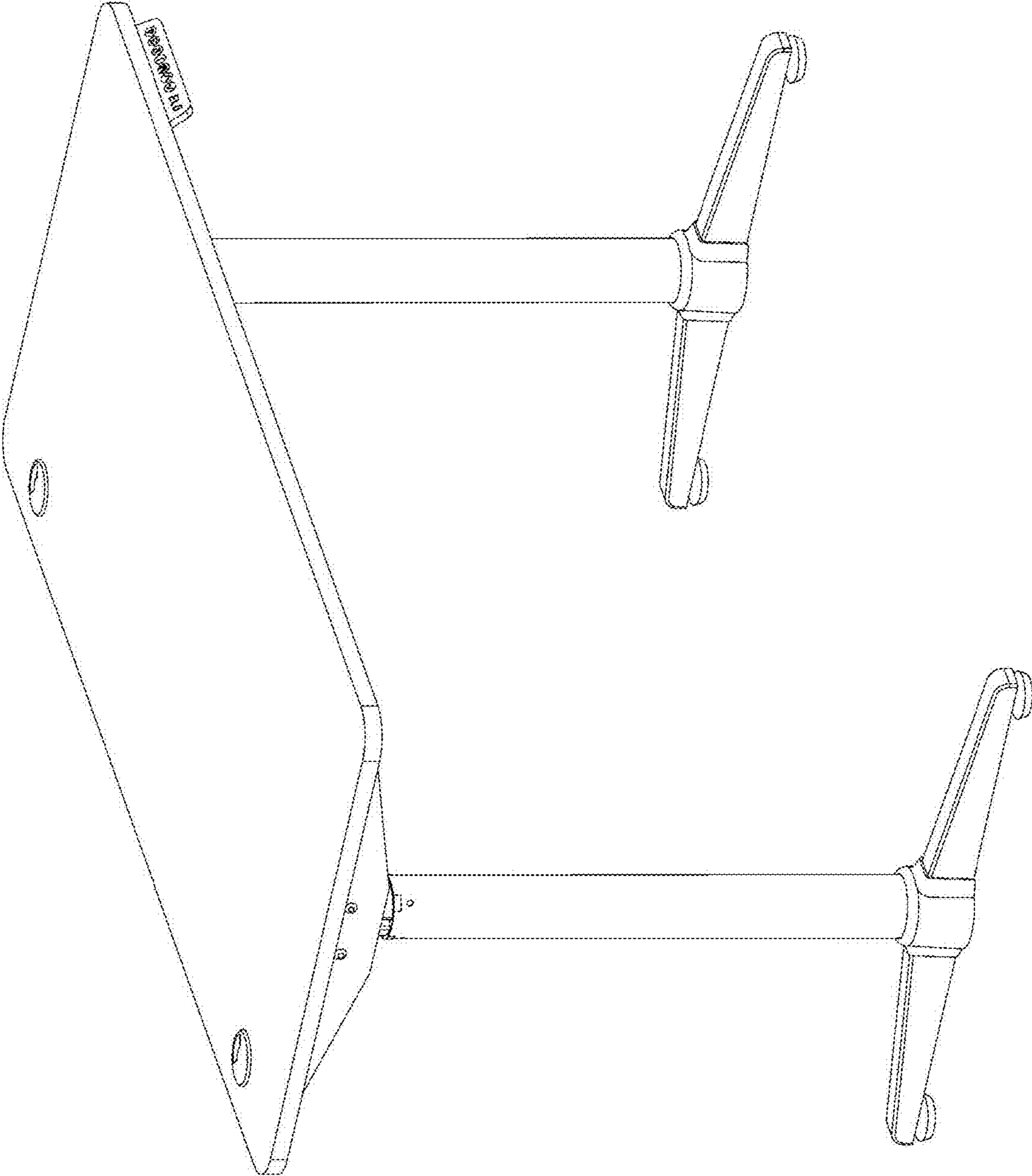


FIG.1

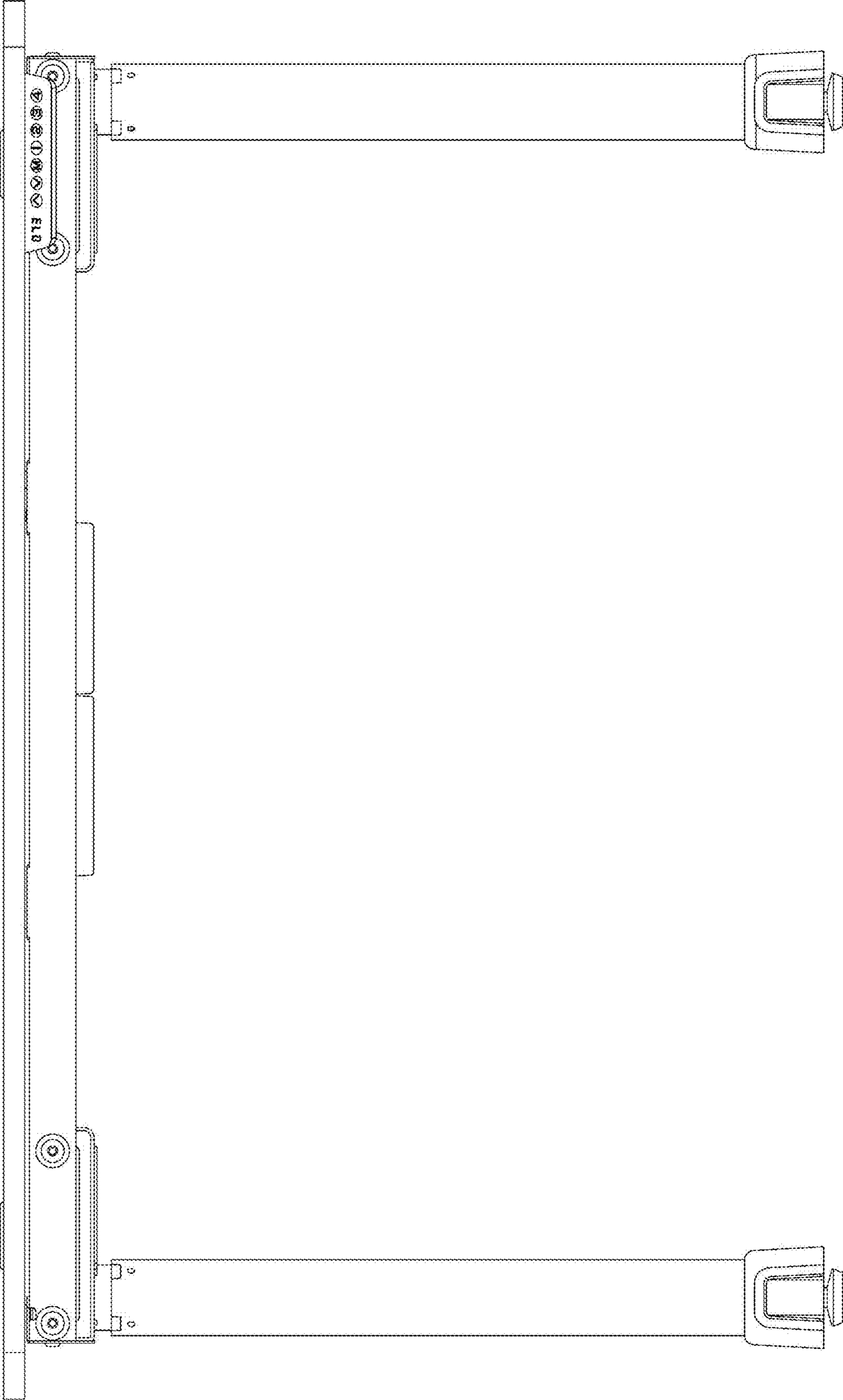


FIG.2

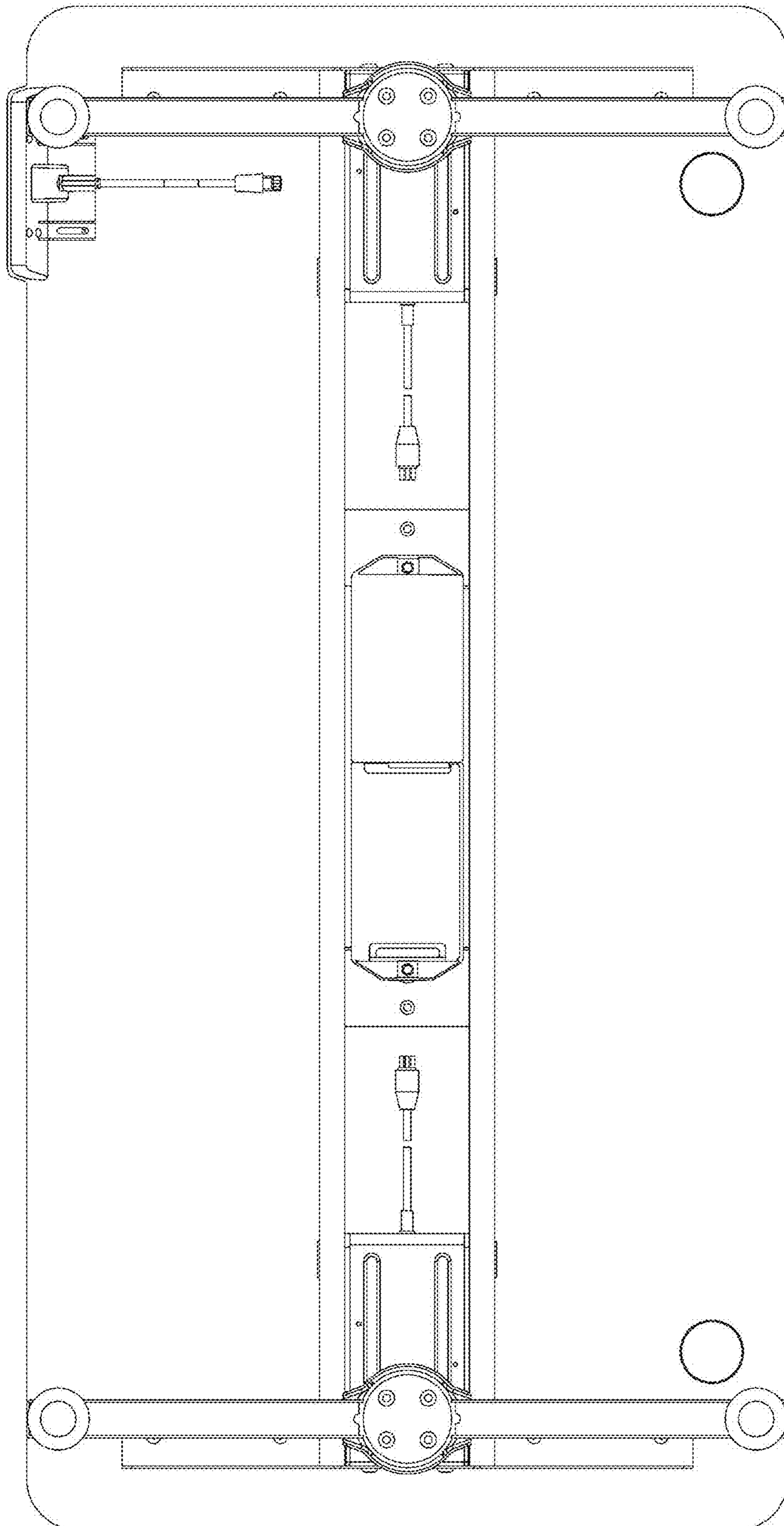


FIG.3



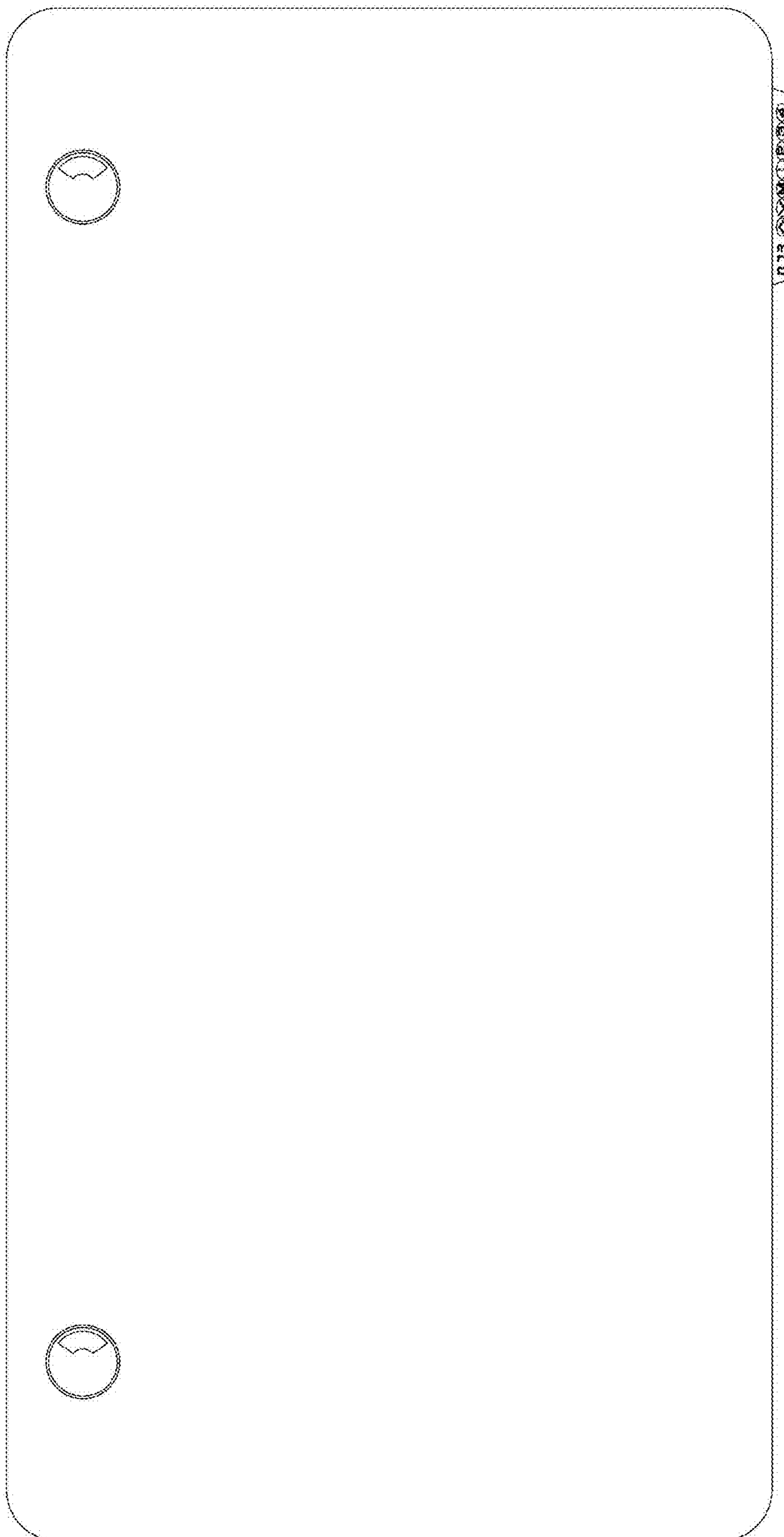


FIG.4



FIG.5

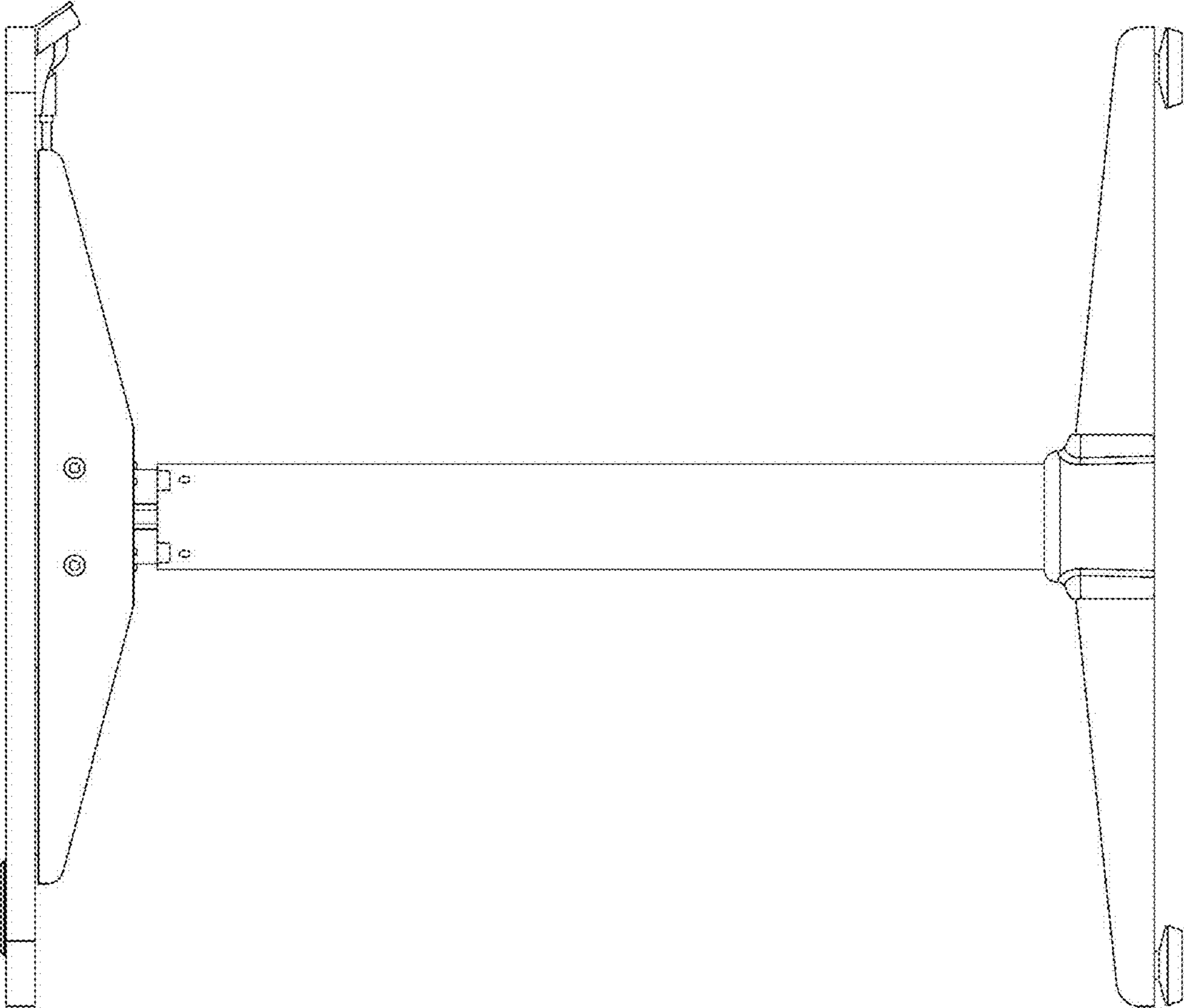


FIG.6



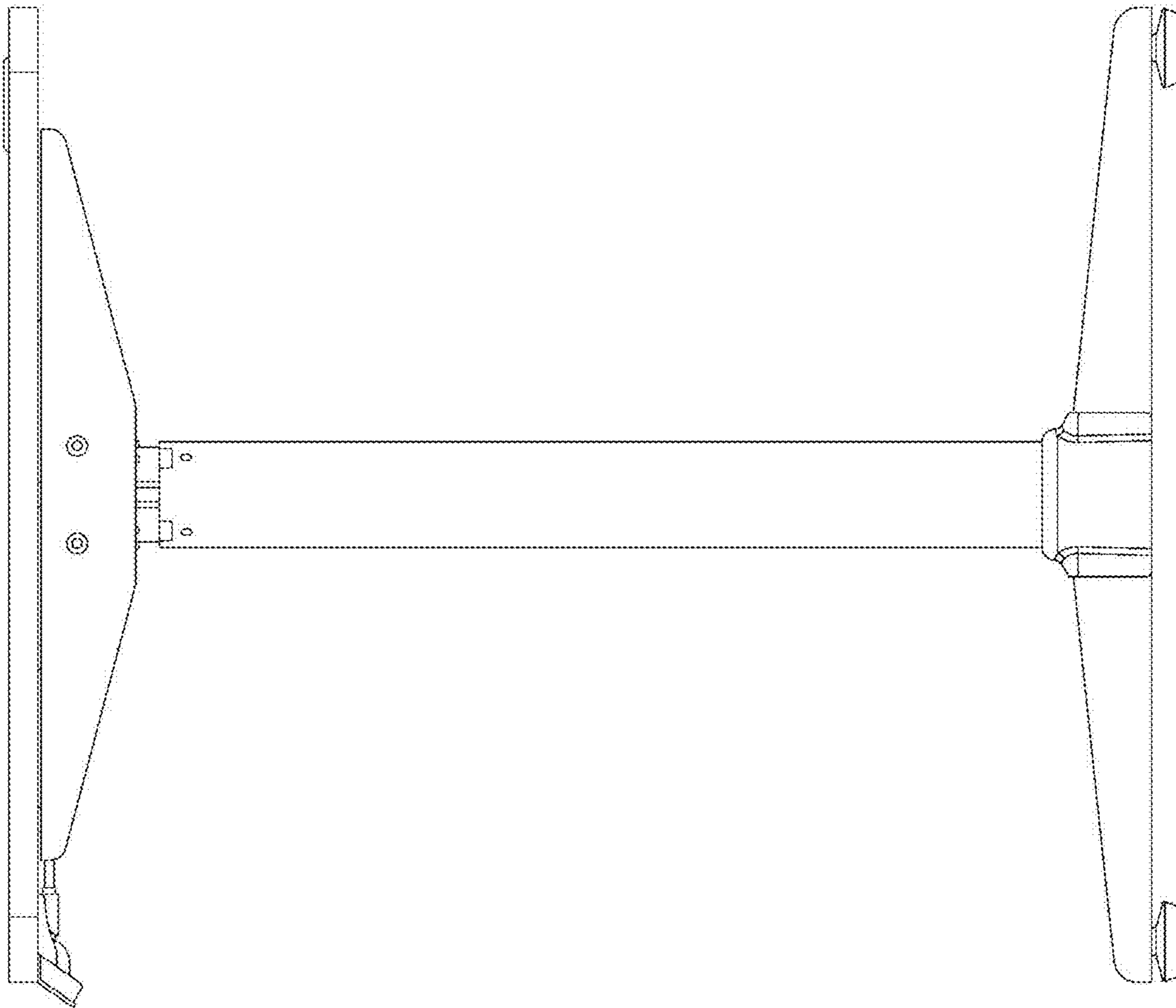


FIG. 7

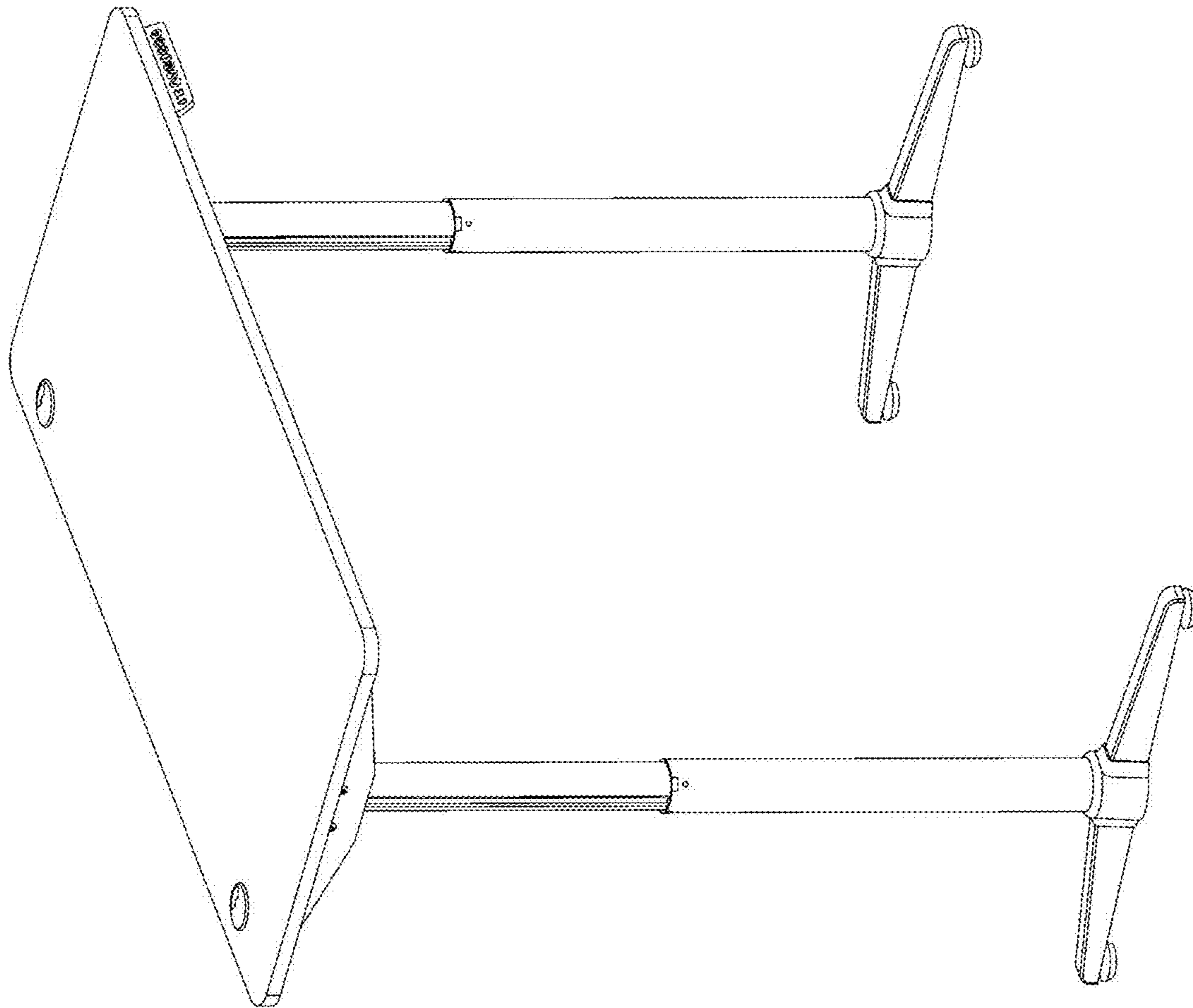


FIG. 8

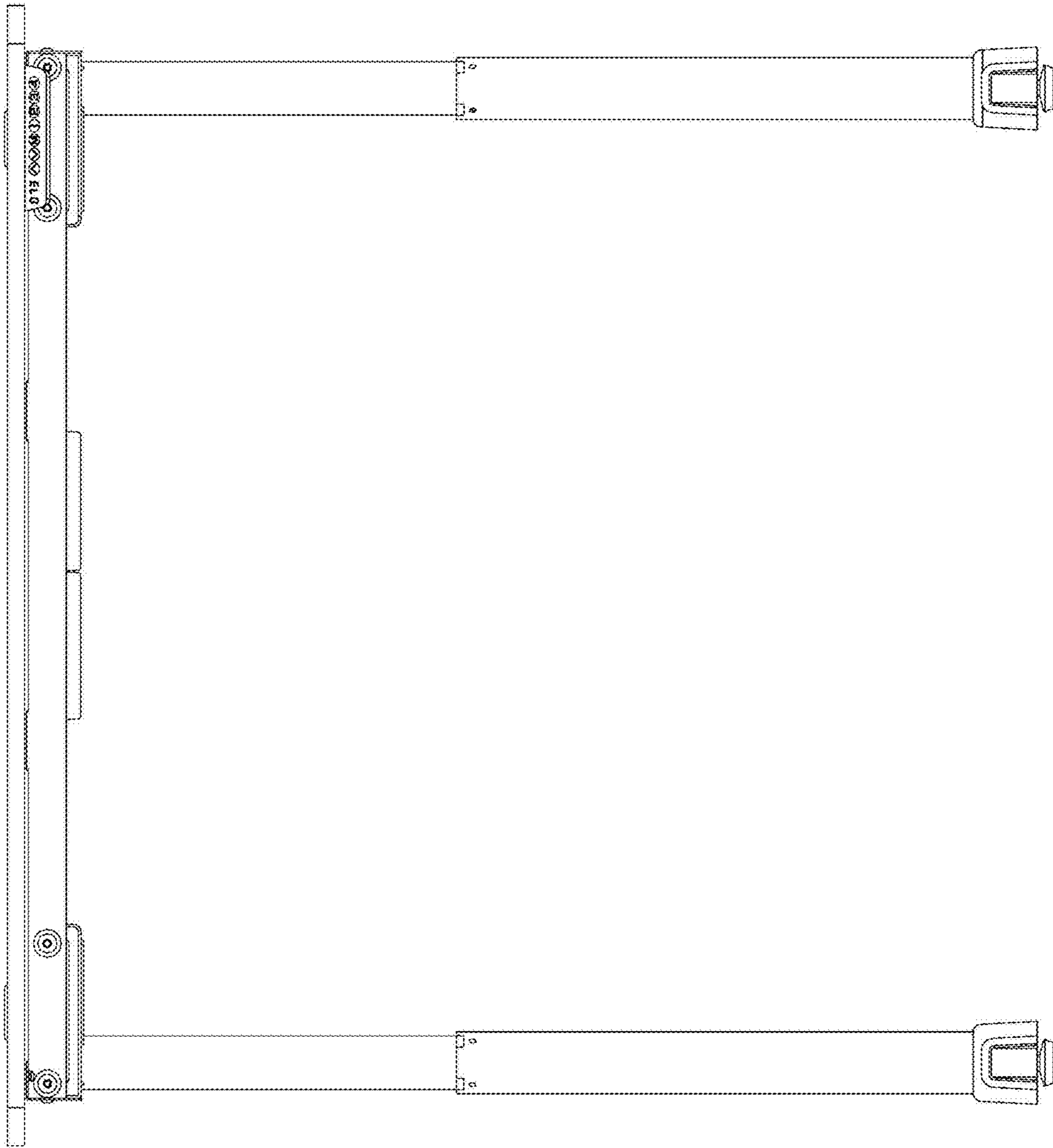


FIG.9

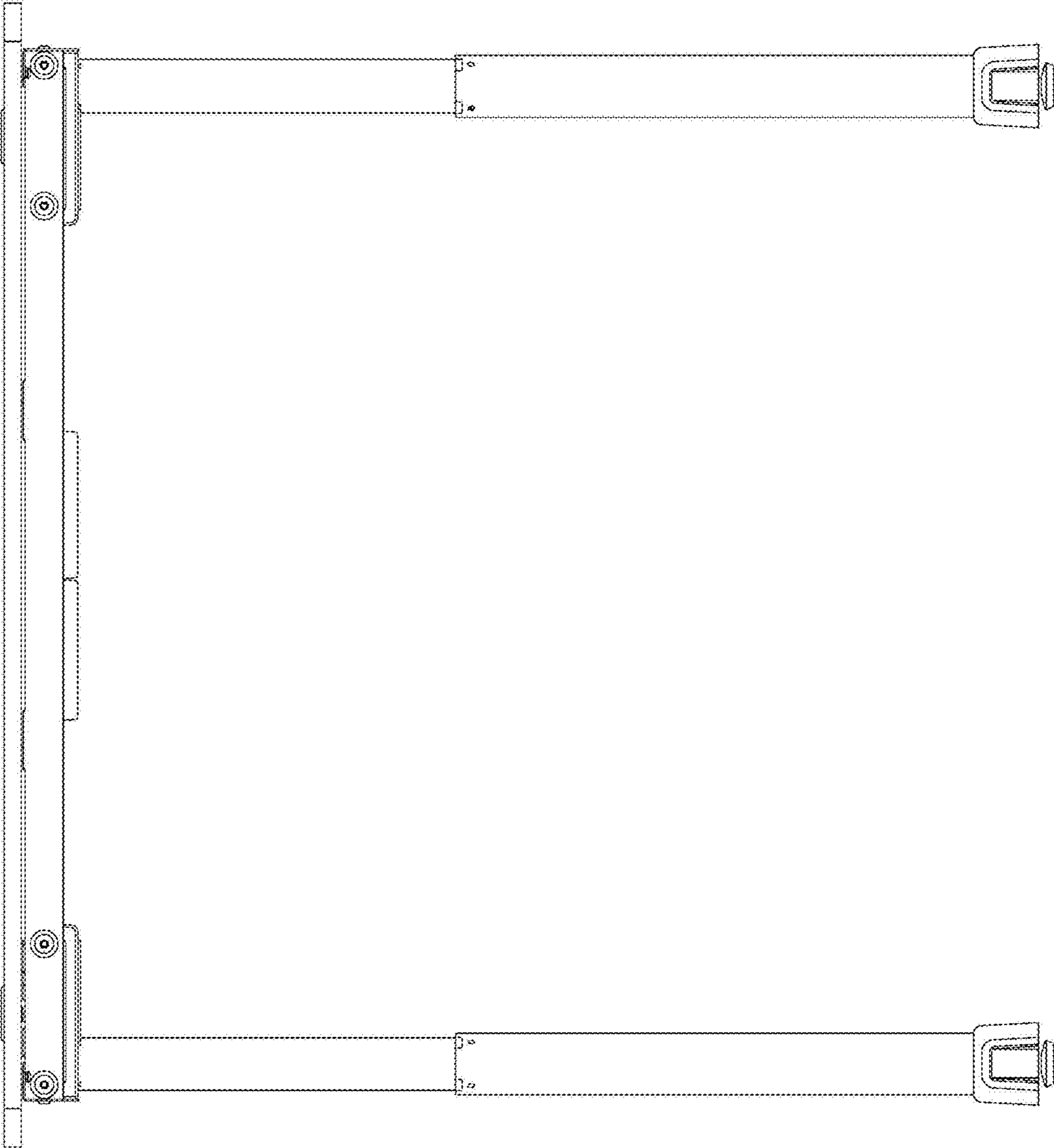


FIG.10

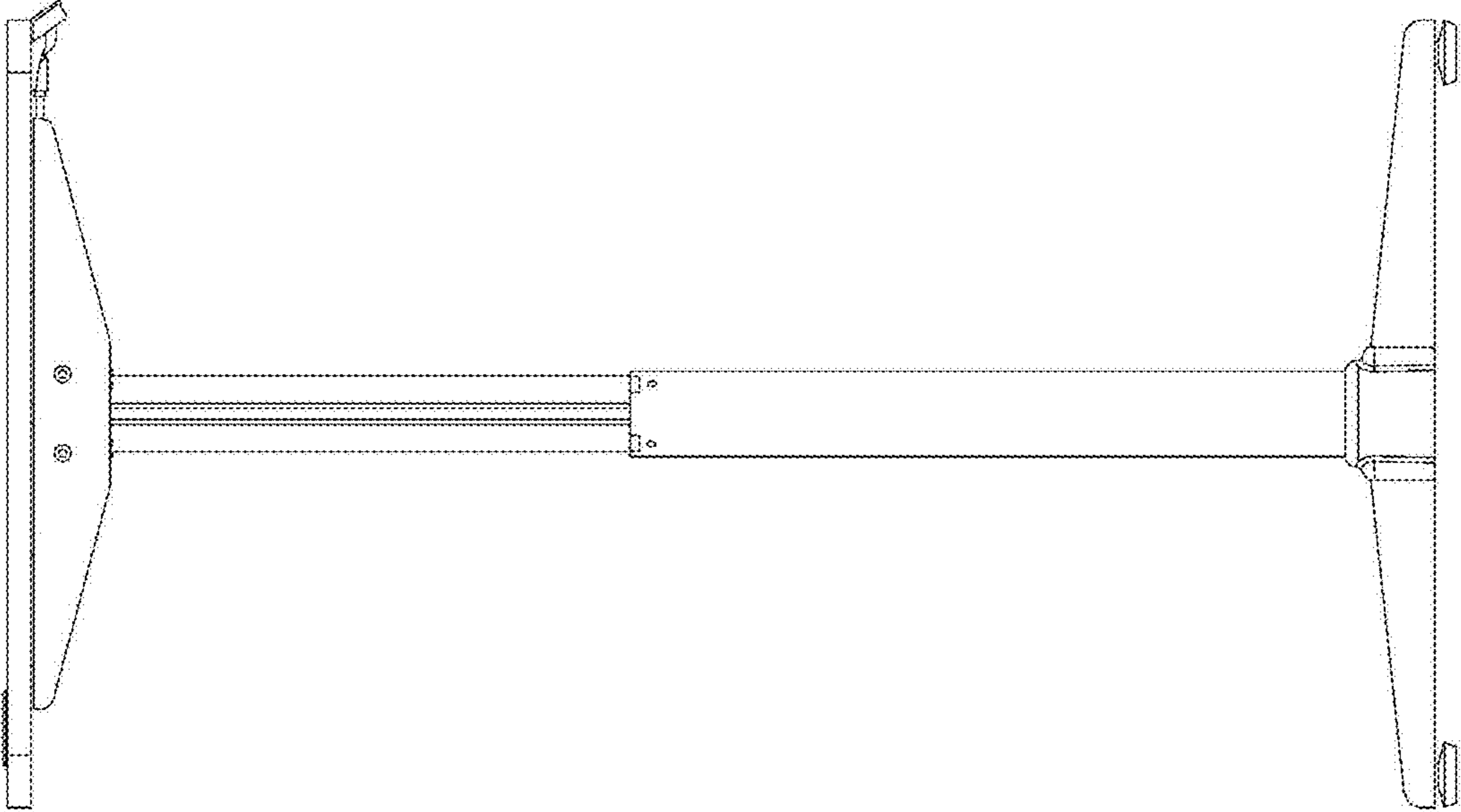


FIG.11

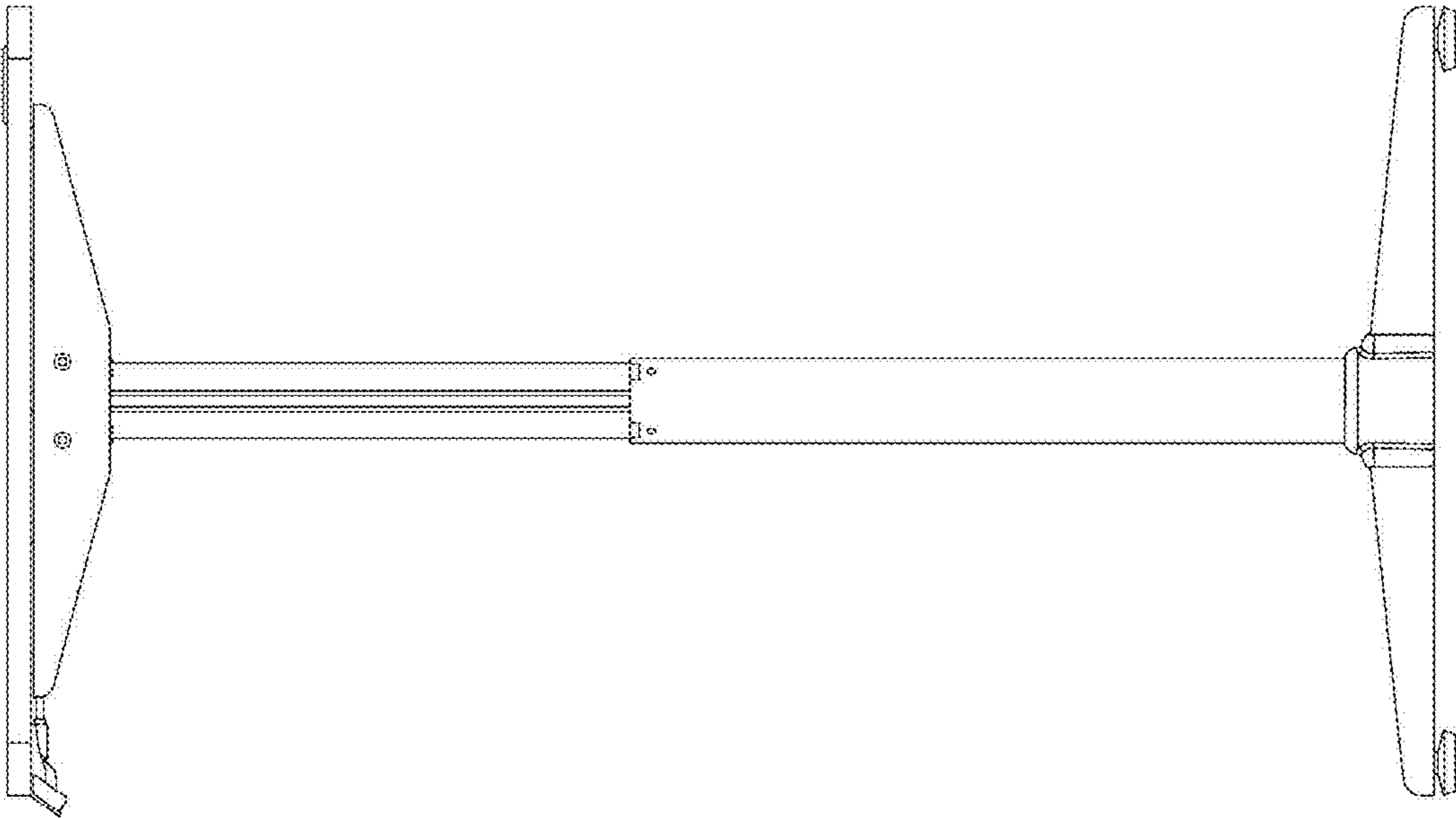


FIG.12