



US00D877543S

(12) **United States Design Patent** (10) **Patent No.:** **US D877,543 S**
Davis et al. (45) **Date of Patent:** **** Mar. 10, 2020**

(54) **DESK**
(71) Applicant: **WALKER EDISON FURNITURE COMPANY LLC**, Salt Lake City, UT (US)

D304,530 S 11/1989 Bush
D304,979 S 12/1989 Bush
D313,518 S 1/1991 Bush
D343,072 S 1/1994 Schulman
D346,078 S 4/1994 Schulman
(Continued)

(72) Inventors: **Matthew Davis**, Murray, UT (US);
Brad Bonham, Draper, UT (US);
Richard Packer, Kaysville, UT (US)

FOREIGN PATENT DOCUMENTS

CA 165552 6/2016
CA 171260 7/2017
(Continued)

(73) Assignee: **WALKER EDISON FURNITURE COMPANY LLC**, Salt Lake City, UT (US)

OTHER PUBLICATIONS

(**) Term: **15 Years**
(21) Appl. No.: **29/656,477**

52 in. A-Frame Rustic Faux Marble and Walnut Entry Console Table by Walker Edison Furniture Company—Home Depot <https://www.homedepot.com/p/Walker-Edison-Furniture-Company-52-in-A-Frame-Rustic-Faux-Marble-and-Walnut-Entry-Console-Table-HDF52AFTMNW/302034903> retrieved from the internet on Sep. 8, 2019.*

(22) Filed: **Jul. 12, 2018**
(51) **LOC (12) Cl.** **06-03**
(52) **U.S. Cl.**
USPC **D6/655**

(Continued)

(58) **Field of Classification Search**
USPC D6/349, 641, 642, 655, 655.1, 655.17,
D6/655.18, 656, 656.13, 685, 686, 691,
D6/691.1–691.9, 694
CPC A47B 7/00; A47B 13/00; A47B 13/02;
A47B 13/04; A47B 13/06; A47B 13/08;
A47B 13/12; A47B 17/00; A47B 21/00;
A47B 2200/0001; A47B 2200/0011;
A47B 2200/002

Primary Examiner — Mary Ann Calabrese
(74) *Attorney, Agent, or Firm* — Workman Nydegger

(57) **CLAIM**

The ornamental design for a desk, as shown and described.

See application file for complete search history.

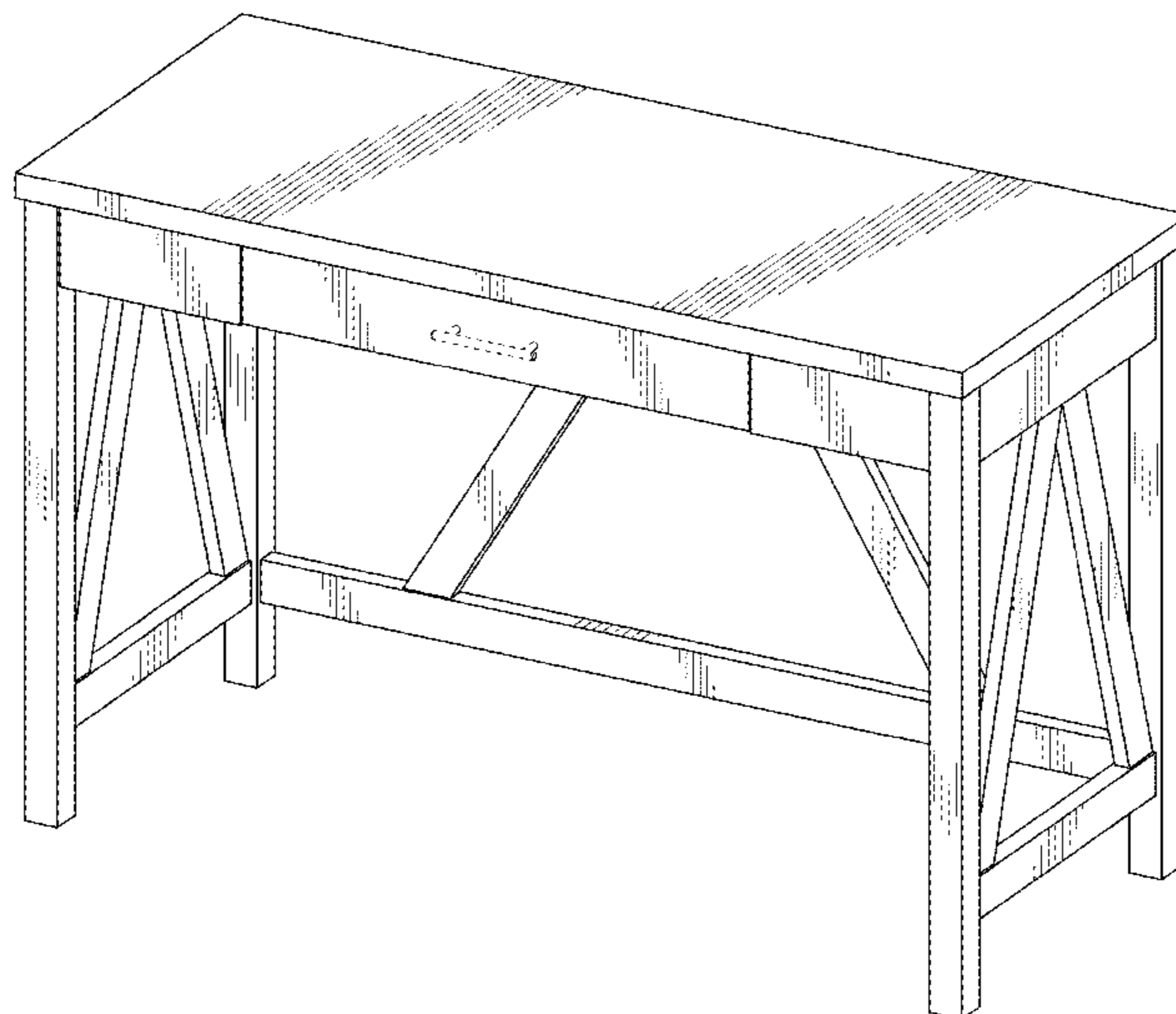
DESCRIPTION

FIG. 1 is a front perspective view of a desk showing the new design;
FIG. 2 is a front elevation view thereof;
FIG. 3 is a back elevation view thereof;
FIG. 4 is a top plan view thereof;
FIG. 5 is a bottom plan view thereof;
FIG. 6 is a right elevation view thereof; and,
FIG. 7 is a left elevation view thereof.
The broken lines in the drawings are for the purpose of illustrating portions of the article that form no part of the claimed design.

(56) **References Cited**
U.S. PATENT DOCUMENTS

D146,845 S 6/1947 Bach
D146,846 S 6/1947 Bach
D177,195 S 3/1956 Smith
D155,976 S 11/1967 Dimham
D209,404 S 11/1967 Pearlman
D242,969 S * 1/1977 Carter D6/691.2
D278,294 S 4/1985 Dau

1 Claim, 4 Drawing Sheets



(56)

References Cited

U.S. PATENT DOCUMENTS

| | | | | |
|--------------|------|---------|----------|------------------------|
| D391,421 | S | 3/1998 | Steelman | |
| D481,229 | S | 10/2003 | Weaver | |
| D486,016 | S | 2/2004 | Stanton | |
| D497,742 | S | 11/2004 | Dortch | |
| D505,566 | S | 5/2005 | Juneau | |
| D532,999 | S | 12/2006 | Domack | |
| D574,635 | S * | 8/2008 | Eustace | D6/694 |
| D584,073 | S | 1/2009 | Mohundro | |
| D669,704 | S | 10/2012 | Zambelli | |
| D736,529 | S * | 8/2015 | Cohen | D6/349 |
| D746,614 | S * | 1/2016 | Sheppard | D6/657 |
| 9,254,045 | B2 | 2/2016 | Nassif | |
| D783,316 | S | 4/2017 | Davis | |
| D829,025 | S | 9/2018 | Davis | |
| D851,964 | S * | 6/2019 | Davis | A47B 3/08 D6/655.11 |
| D853,160 | S | 7/2019 | Barber | |
| D854,864 | S * | 7/2019 | Lim | D6/684 |
| 2010/0018442 | A1 * | 1/2010 | Knudsen | A47B 3/08 108/176 |

FOREIGN PATENT DOCUMENTS

| | | |
|----|--------|---------|
| CA | 176181 | 7/2018 |
| CA | 179416 | 11/2018 |
| CA | 179420 | 11/2018 |

OTHER PUBLICATIONS

52 A-Frame Rustic Entry Console Table Reclaimed Barnwood—Walmart.com <https://www.walmart.com/ip/52-A-Frame-Rustic-Entry-Console-Table-Reclaimed-Barnwood/561617562> retrieved from the internet on Sep. 9, 2019.*

46" Rustic Farmhouse Wood Computer Desk by Walker Edison Furniture Company—Home Depot <https://www.homedepot.com/p/Walker-Edison-Furniture-Company-52-in-A-Frame-Rustic-Faux-Marble-and-Walnut-Entry-Console-Table-HDF52AFTMNW/302034903> retrieved from the internet on Sep. 9, 2019.*
 U.S. Appl. No. 29/573,766, filed Aug. 9, 2016, Davis.
 U.S. Appl. No. 29/634,920, filed Jan. 25, 2018, Davis.
 U.S. Appl. No. 29/634,929, filed Jan. 25, 2018, Davis.
 Small Wooden Desk With Drawers—suspilstvo.info <http://suspilstvo.info/small-wooden-desk-with-drawers/small-wooden-desk-with-drawers-wood-desk-with-drawers-modern-solid-wood-desk-computer-study-show-homes-minimalist-with-drawers-m-wood-desk-with-drawers-small-wood-comput> retrieved from the internet on Nov. 5, 2018.
 Legend Desk—Harvey Norman <https://www.harveynorman.co.nz/furniture/home-office-equip/desks-and-suites/legend-desk.html> retrieved from the internet on Nov. 5, 2018.
 Diana Desk with Drawer—walmart.com <https://www.walmart.com/ip/Diana-Desk-with-Drawer/126384407?sourceid=csebr035413> retrieved from the internet on Nov. 5, 2018.
 48 in. White Oak Open-Top Storage Bench with Shoe Shelf, [online] Retrieved Oct. 15, 2019 from URL: <https://www.homedepot.com/p/Walker-Edison-Furniture-Company-48-in-White-Oak-Open-Top-Storage-Bench-with-Shoe-Shelf-HD48PCSBWO/303295636>.
 50" Entryway Bench with Slatted Shelf—50×14×18h. [online] Retrieved Oct. 8, 2019 from URL: <https://www.overstock.com/Home-Garden/50-Entryway-Bench-with-Slatted-Shelf-50-x-14-x-18h/17179515/product.html?option=28693203>.
 Ermont Wood Storage Bench, [online] Retrieved Oct. 8, 2019 from URL: <https://www.allmodern.com/furniture/pdp/ermont-wood-storage-bench-lrfy1915.html>.
 Notice of Allowance in U.S. Appl. No. 29/634,929 dated Nov. 1, 2019.
 U.S. Appl. No. 29/634,920, filed Sep. 13, 2019.

* cited by examiner

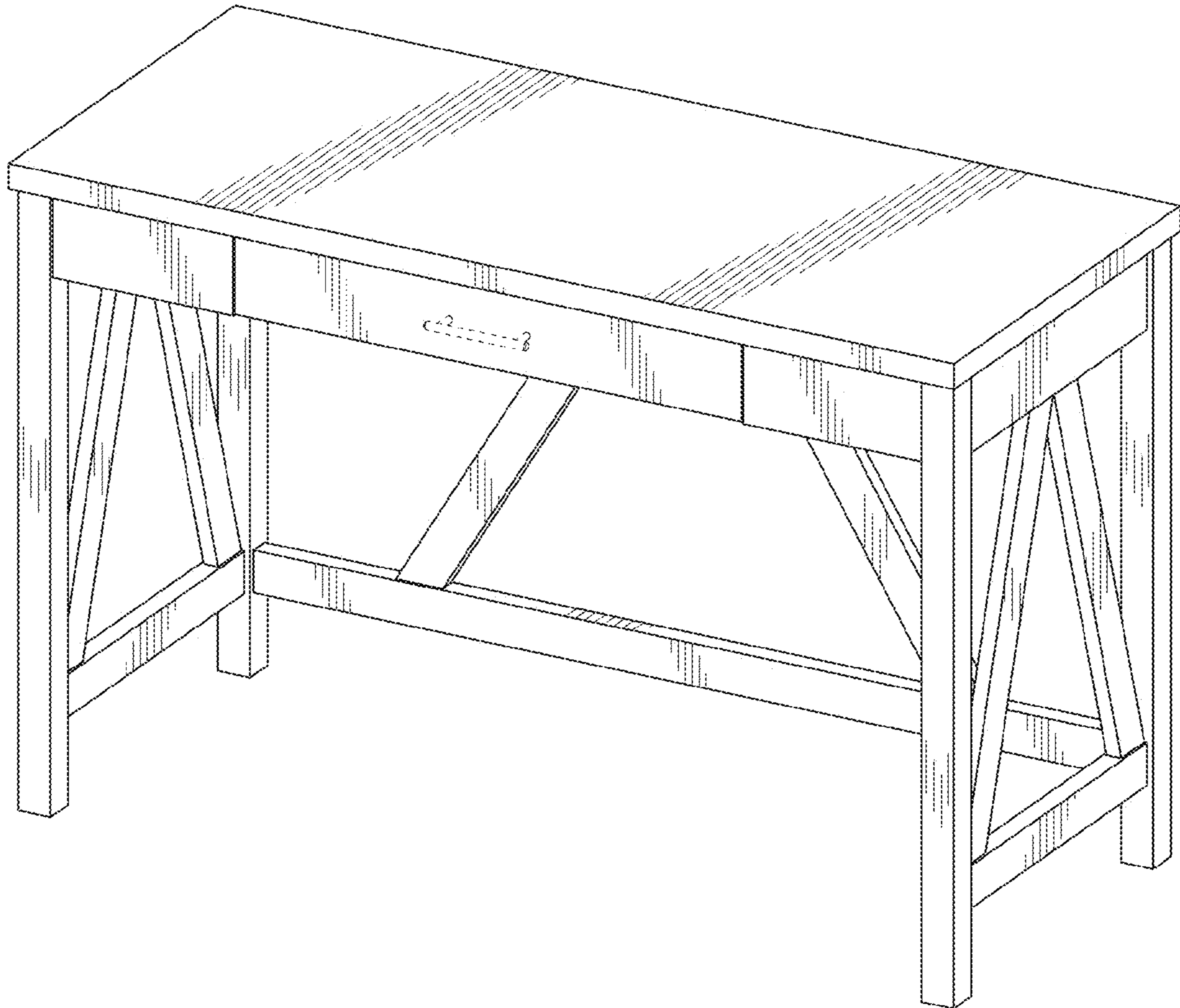


FIG. 1

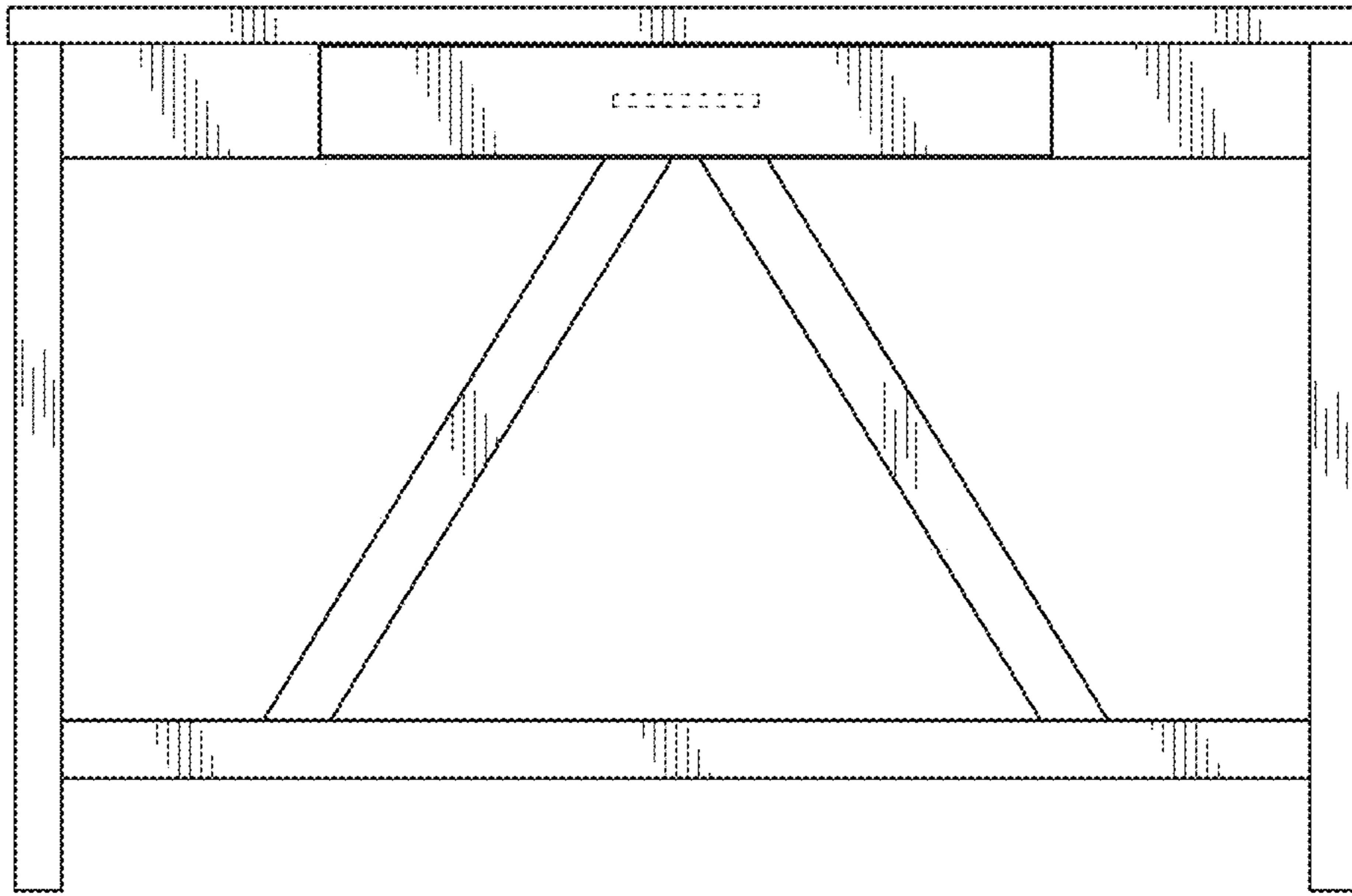


FIG. 2

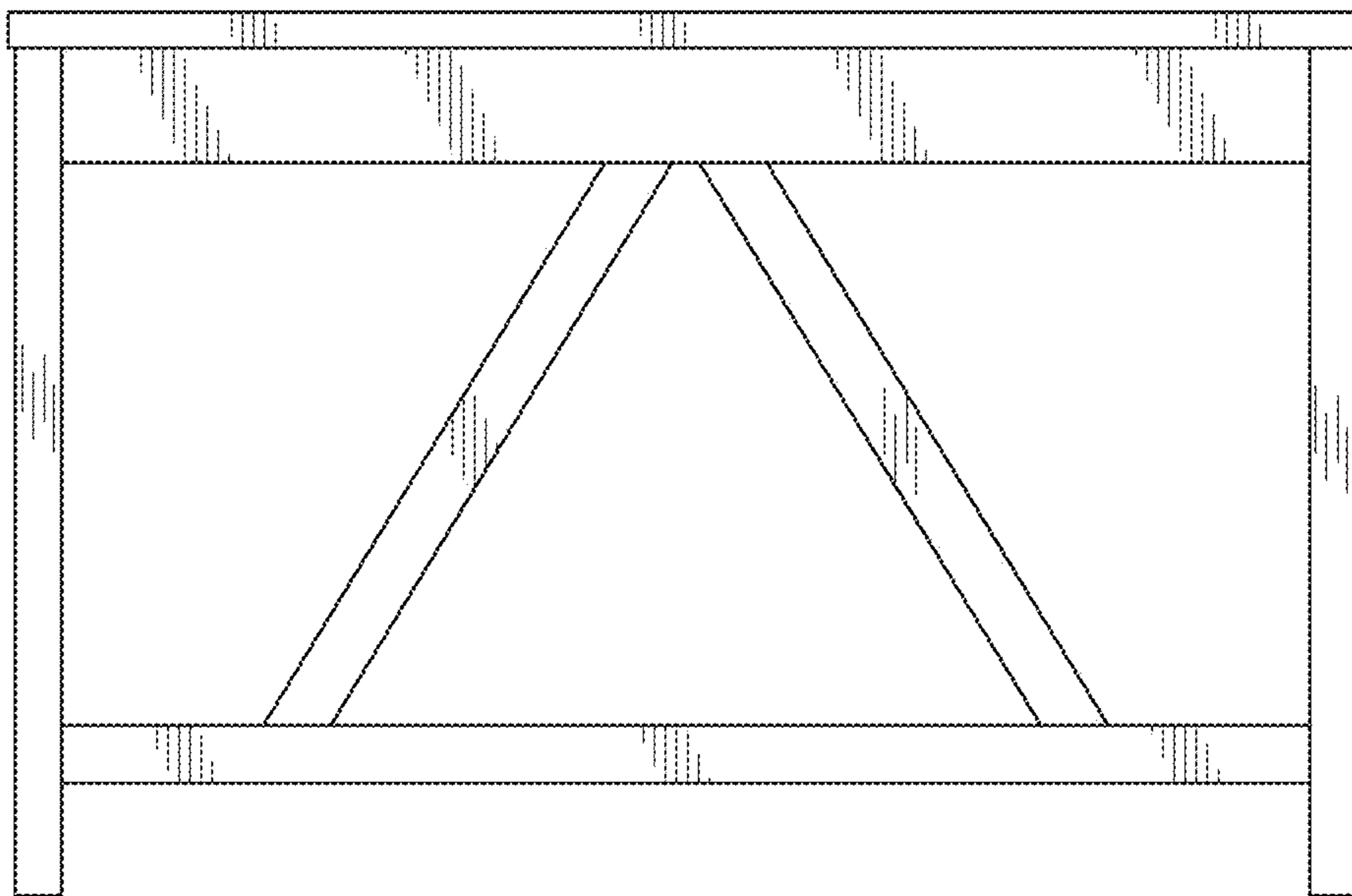


FIG. 3

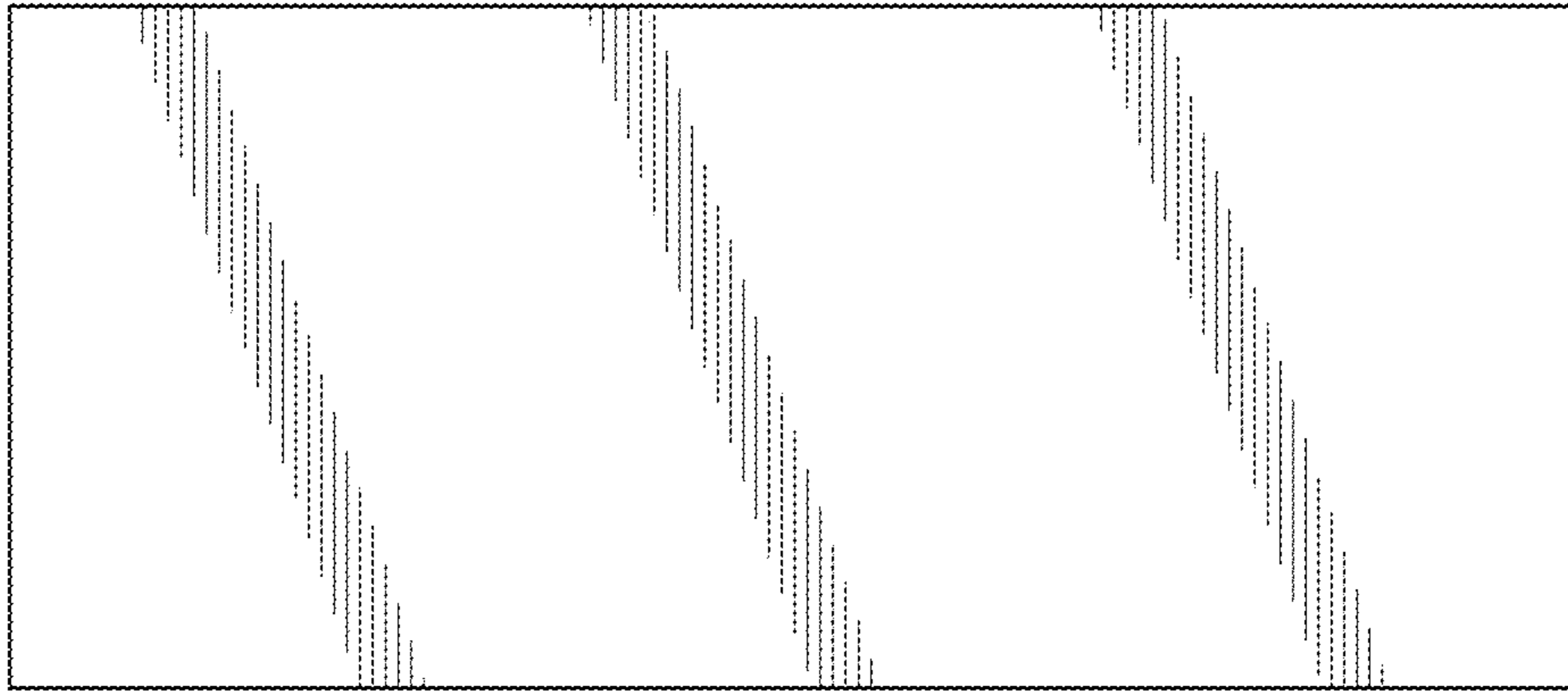


FIG. 4

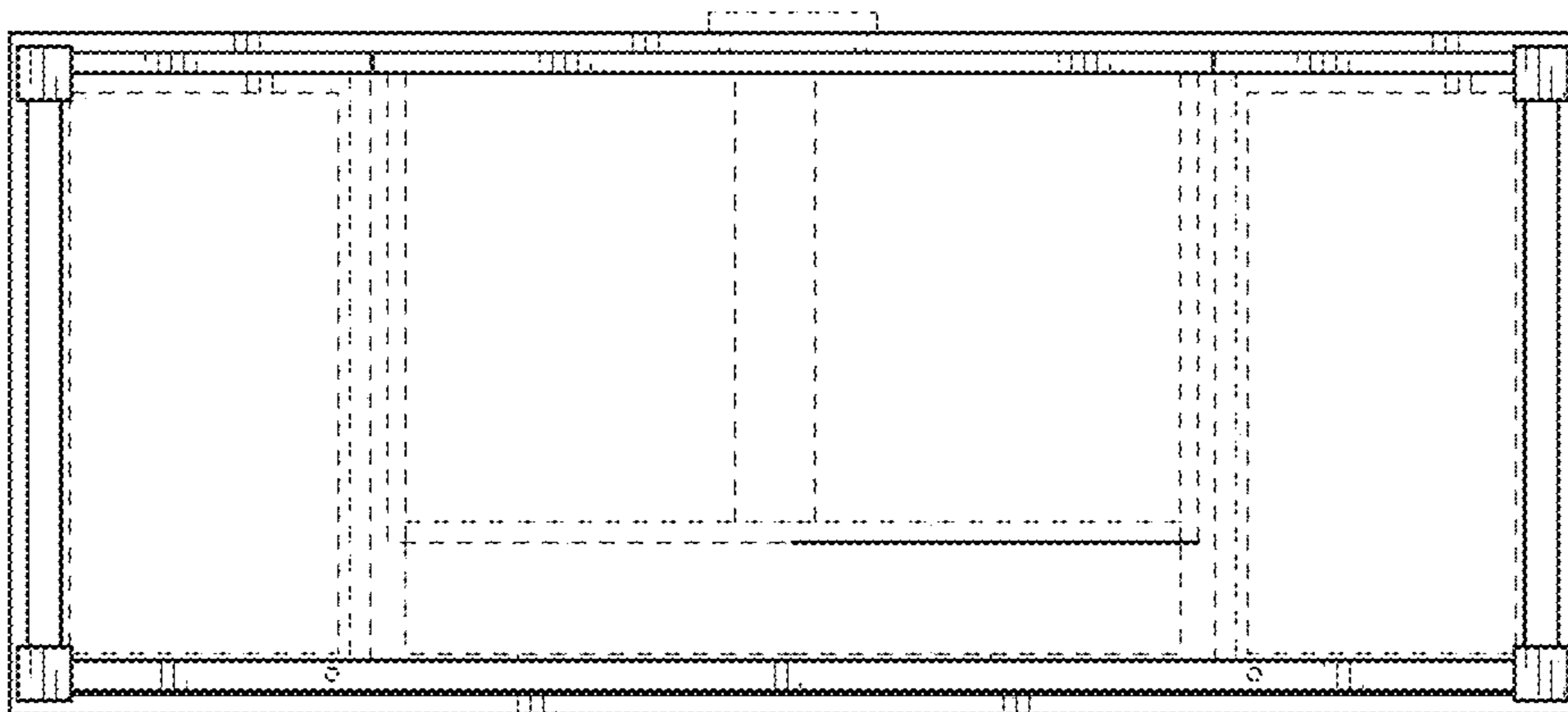


FIG. 5

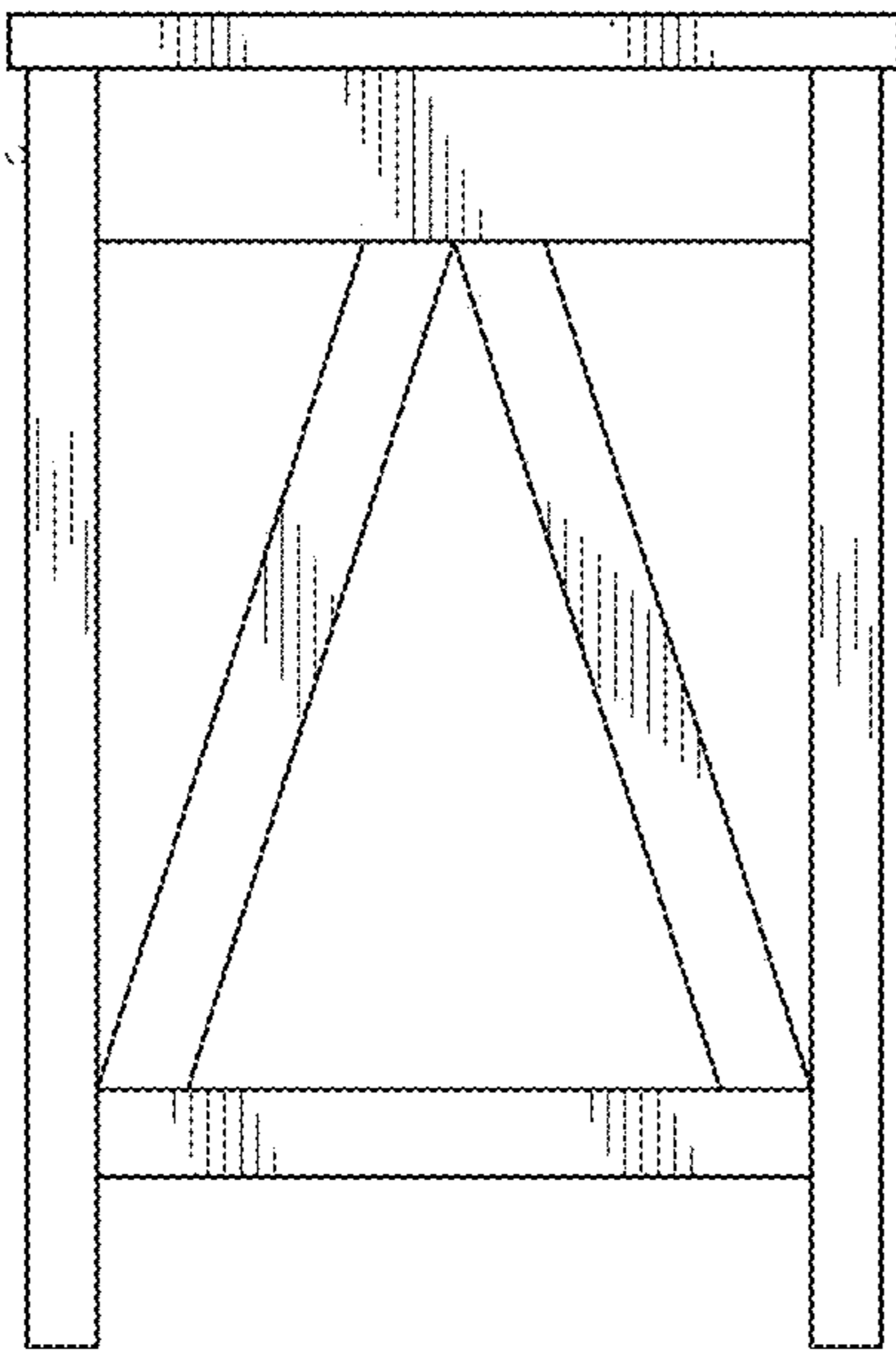


FIG. 6

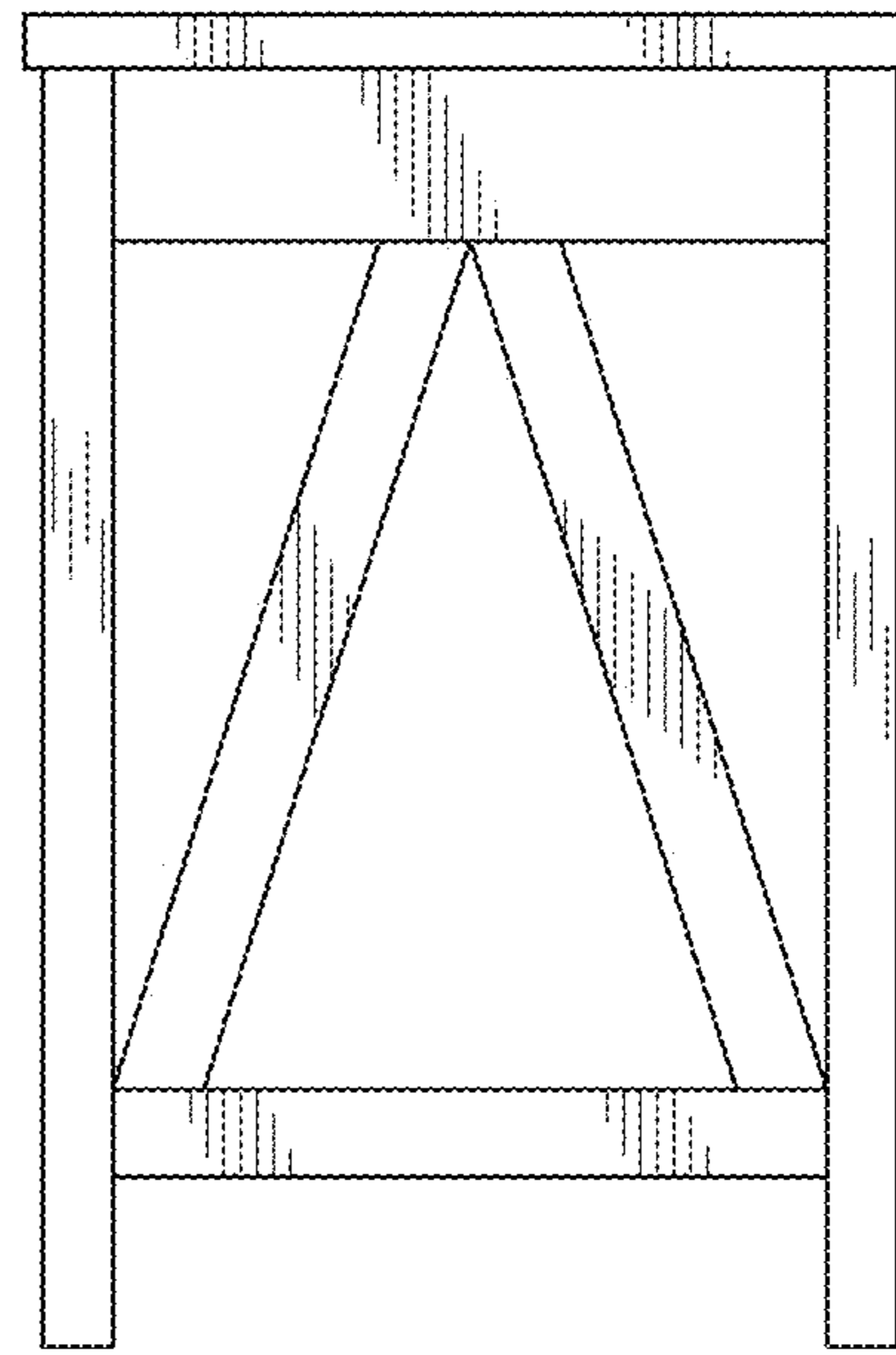


FIG. 7