



US00D877541S

(12) **United States Design Patent**
Yamamoto

(10) **Patent No.:** **US D877,541 S**
(45) **Date of Patent:** **** Mar. 10, 2020**

- (54) **DESK PARTITION**
- (71) Applicant: **Okamura Corporation**, Yokohama-shi, Kanagawa (JP)
- (72) Inventor: **Takayuki Yamamoto**, Yokohama (JP)
- (73) Assignee: **Okamura Corporation**, Yokohama-shi, Kanagawa (JP)
- (**) Term: **15 Years**
- (21) Appl. No.: **29/642,191**
- (22) Filed: **Mar. 28, 2018**

(30) **Foreign Application Priority Data**

Oct. 2, 2017 (JP) 2017-021718

(51) **LOC (12) Cl.** **06-03**

(52) **U.S. Cl.**
USPC **D6/643; D6/713**

(58) **Field of Classification Search**
USPC D6/640, 641, 642, 643, 643.1, 644, 645, D6/647, 648, 649, 650, 652, 652.1, 652.2, D6/653, 653.1, 656.16, 656.17, 700, 706, D6/713, 714, 708.24
CPC . A47F 3/00; A47F 3/142; A47B 57/00; A47B 57/30; A47B 57/40; A47B 87/00; E04B 2/744; E04B 2/7407; E04B 2/7416; E04B 2002/7483

See application file for complete search history.

(56) **References Cited**

U.S. PATENT DOCUMENTS

- D216,991 S * 3/1970 Gianfagna D6/643.1
- D261,013 S * 9/1981 DeMars D20/42
- 5,129,200 A * 7/1992 Kaneko A47B 83/001
52/205
- D786,594 S * 5/2017 Yamamoto D6/702
- D808,668 S * 1/2018 Tsuchiyama D6/332

- 2004/0083658 A1* 5/2004 Laukuf E04B 2/7416
52/36.4
- 2009/0159363 A1* 6/2009 Weber A47B 83/04
181/290
- 2010/0175332 A1* 7/2010 Henriott A47B 96/067
52/36.6

(Continued)

OTHER PUBLICATIONS

Caliavo, posted at Image.rakuten.co.jp, posted on Aug. 30, 2017, site visited Jul. 29, 2019. online, available from internet: <https://image.rakuten.co.jp/soholife/cabinet/f11/tpc-2821.jpg> (Year: 2017).*

Primary Examiner — Mary Ann Calabrese

Assistant Examiner — Catherine Ho

(74) *Attorney, Agent, or Firm* — Sughrue Mion, PLLC

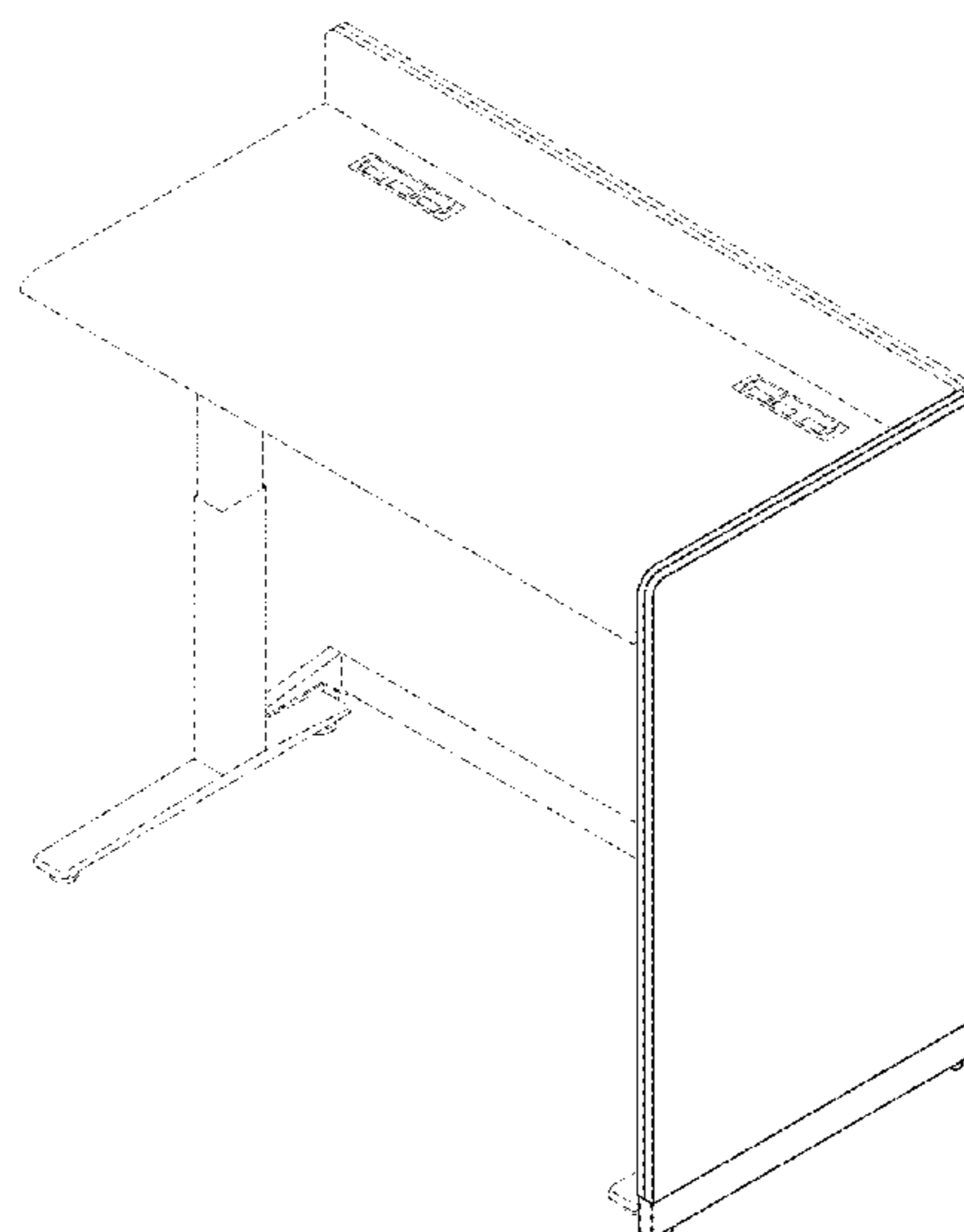
(57) **CLAIM**

The ornamental design for a desk partition, as shown and described.

DESCRIPTION

FIG. 1 is a front right perspective view of a desk partition, showing my new design.
 FIG. 2 is a front left perspective view of thereof.
 FIG. 3 is a front elevation view thereof.
 FIG. 4 is a rear elevation view thereof.
 FIG. 5 is a right side elevation view thereof.
 FIG. 6 is a left side elevation view thereof.
 FIG. 7 is a top plan view thereof.
 FIG. 8 is a bottom plan view thereof.
 FIG. 9 is a cross-sectional view taken along the line 9-9 in FIG. 3.
 FIG. 10 is an enlarged detailed view of the boxed area 10 in FIG. 9; and,
 FIG. 11 is a cross-sectional view taken along the line 11-11 in FIG. 3.
 The broken line portion of the figure drawings is included to show portions of the article that form no part of the claimed design.

1 Claim, 11 Drawing Sheets



(56)

References Cited

U.S. PATENT DOCUMENTS

2011/0302867 A1* 12/2011 Parshad E04B 2/7448
52/582.1
2012/0305203 A1* 12/2012 Verbeek E04B 2/7427
160/220
2014/0226360 A1* 8/2014 Krijn F21V 33/006
362/555
2018/0125230 A1* 5/2018 Yamamoto A47B 13/02
2018/0216342 A1* 8/2018 Lert, Jr. E04B 2/7416

* cited by examiner

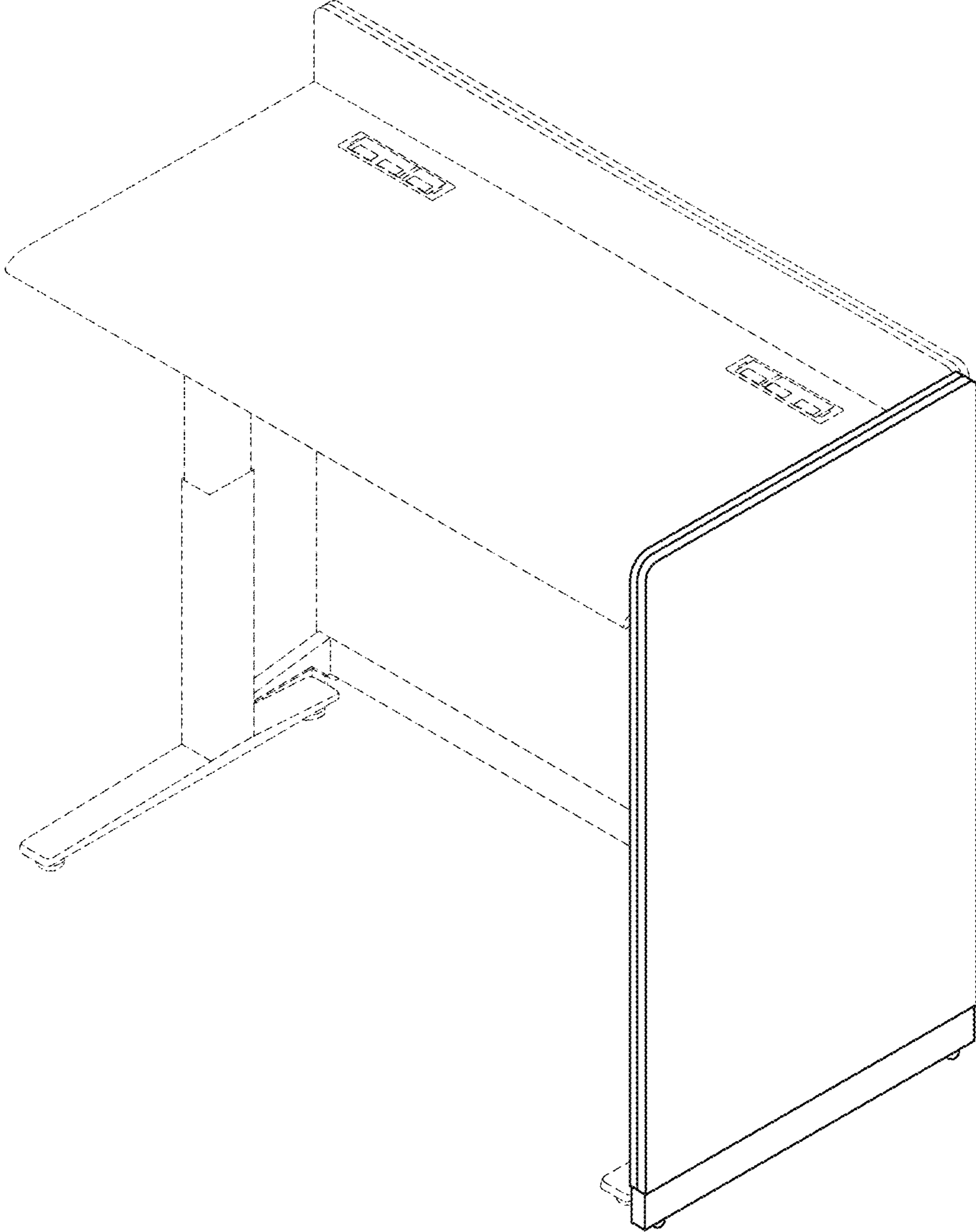


FIG. 1

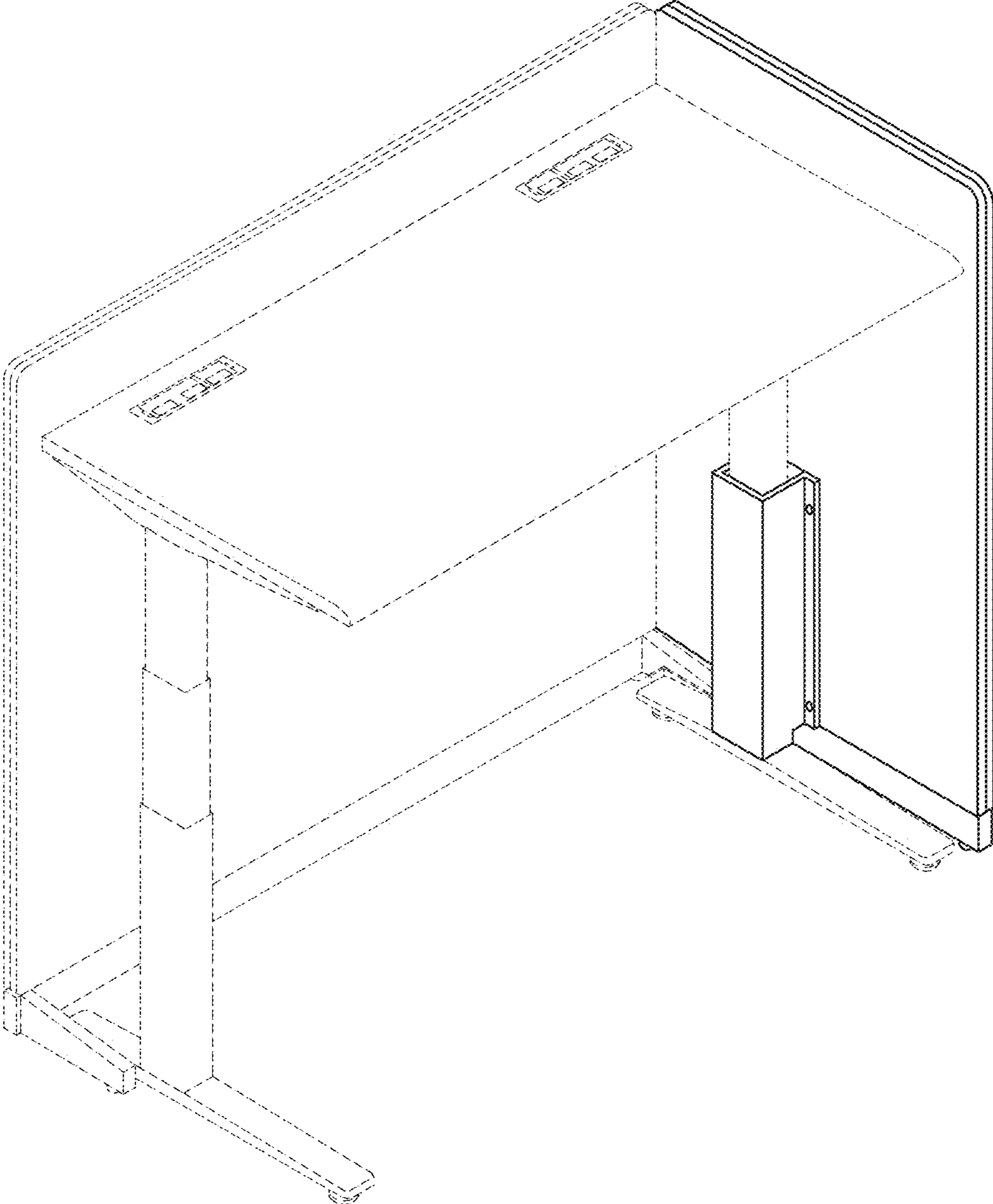


FIG. 2

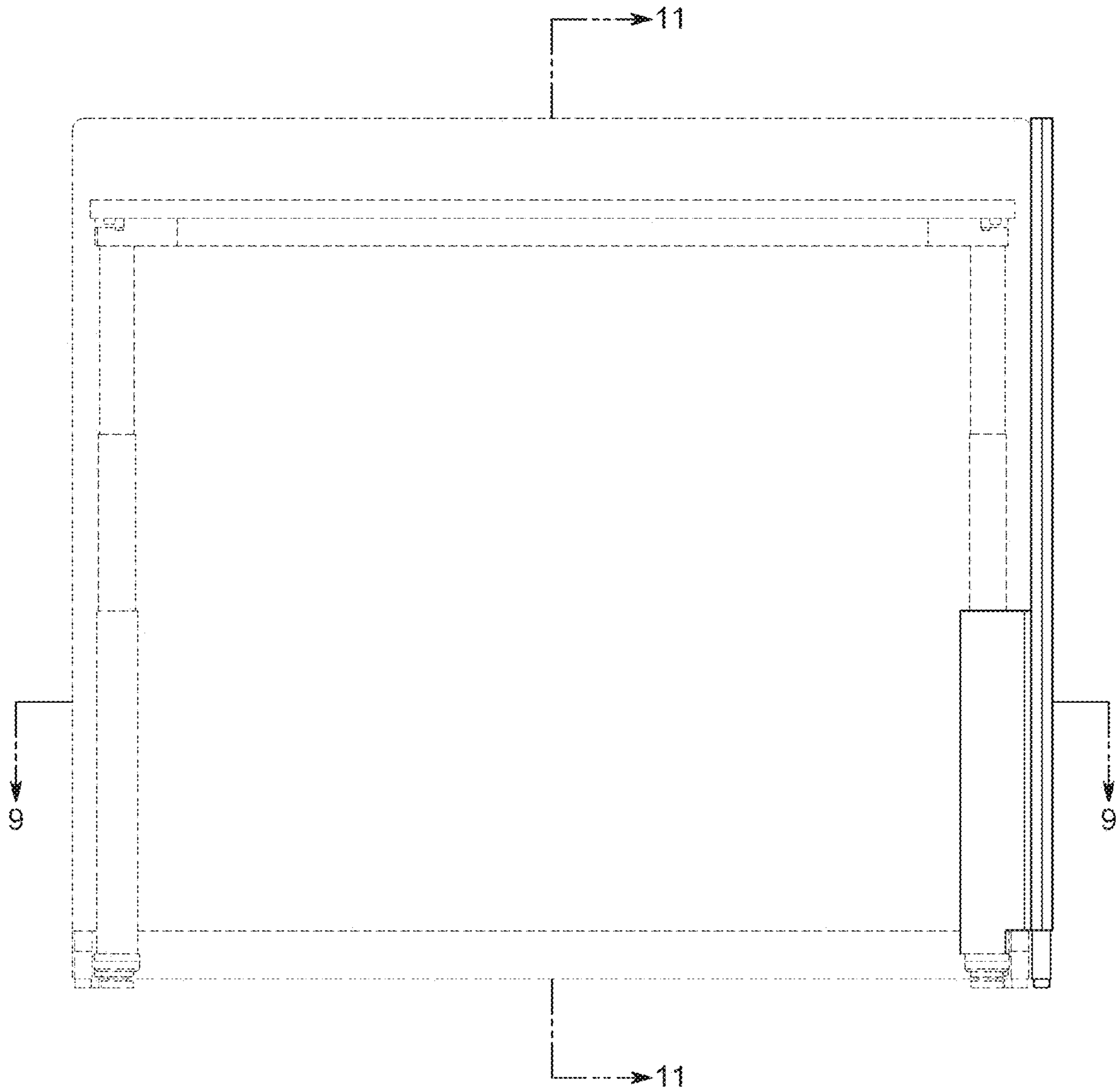


FIG. 3



FIG. 4

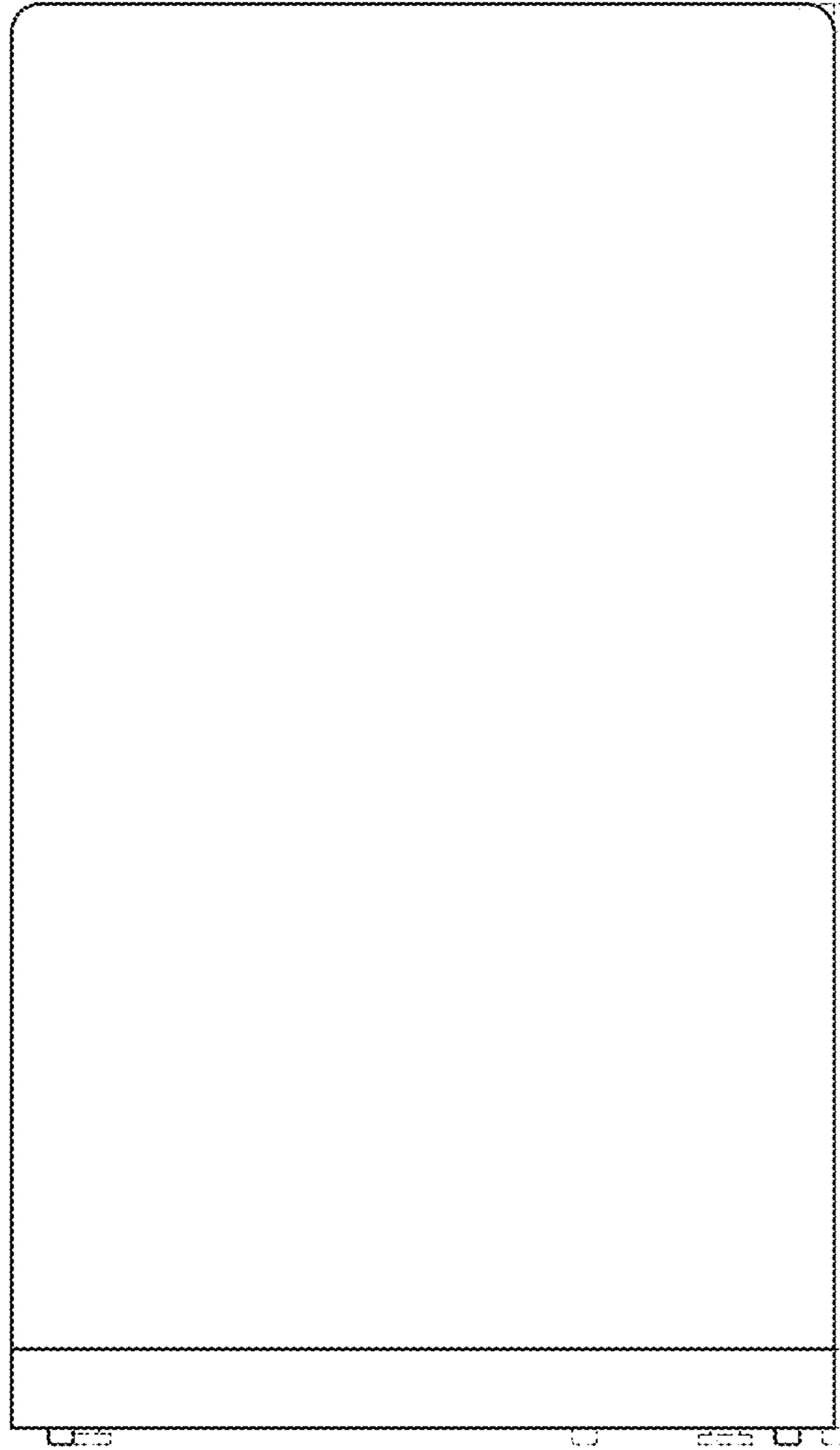


FIG. 5

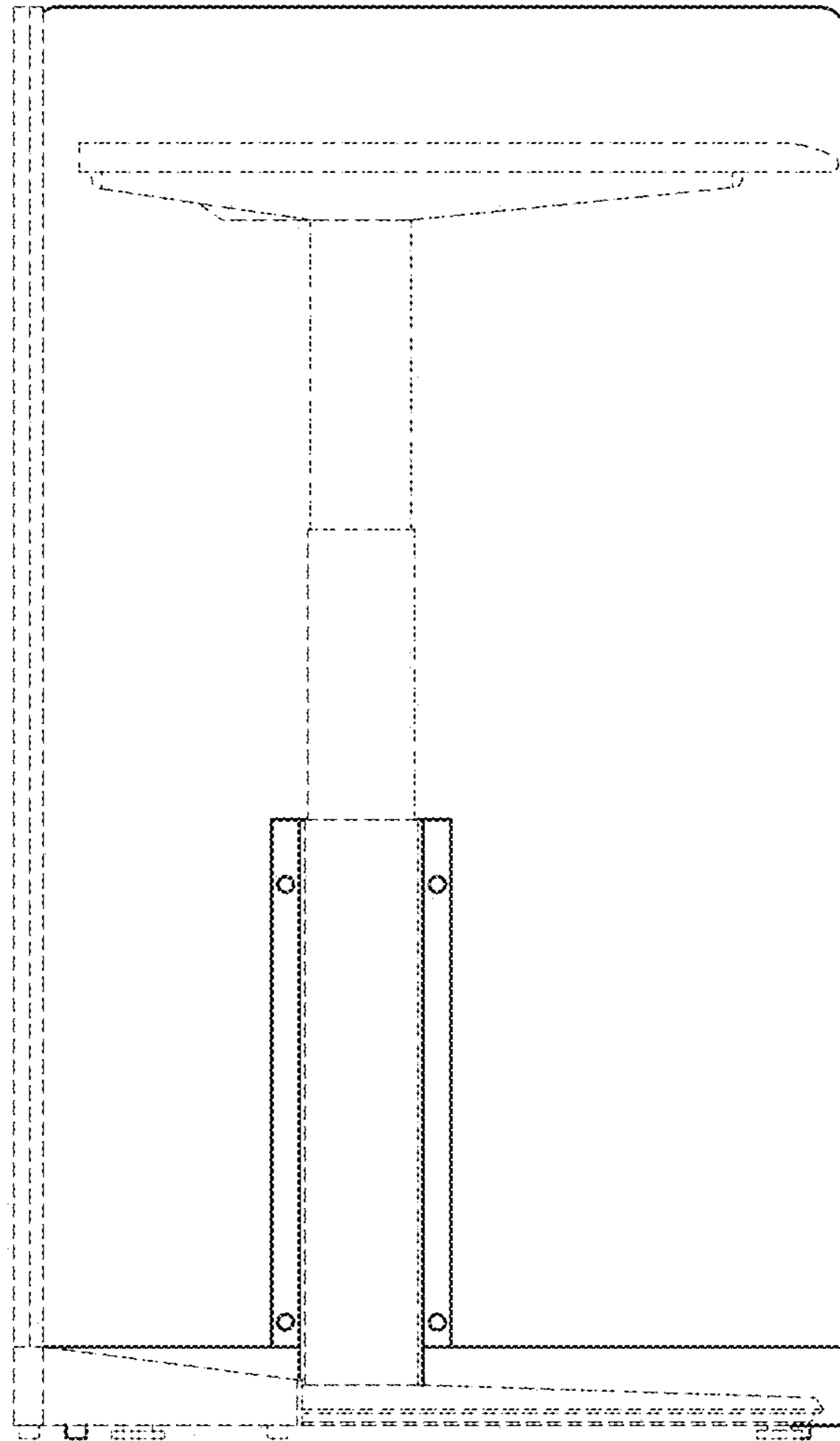


FIG. 6

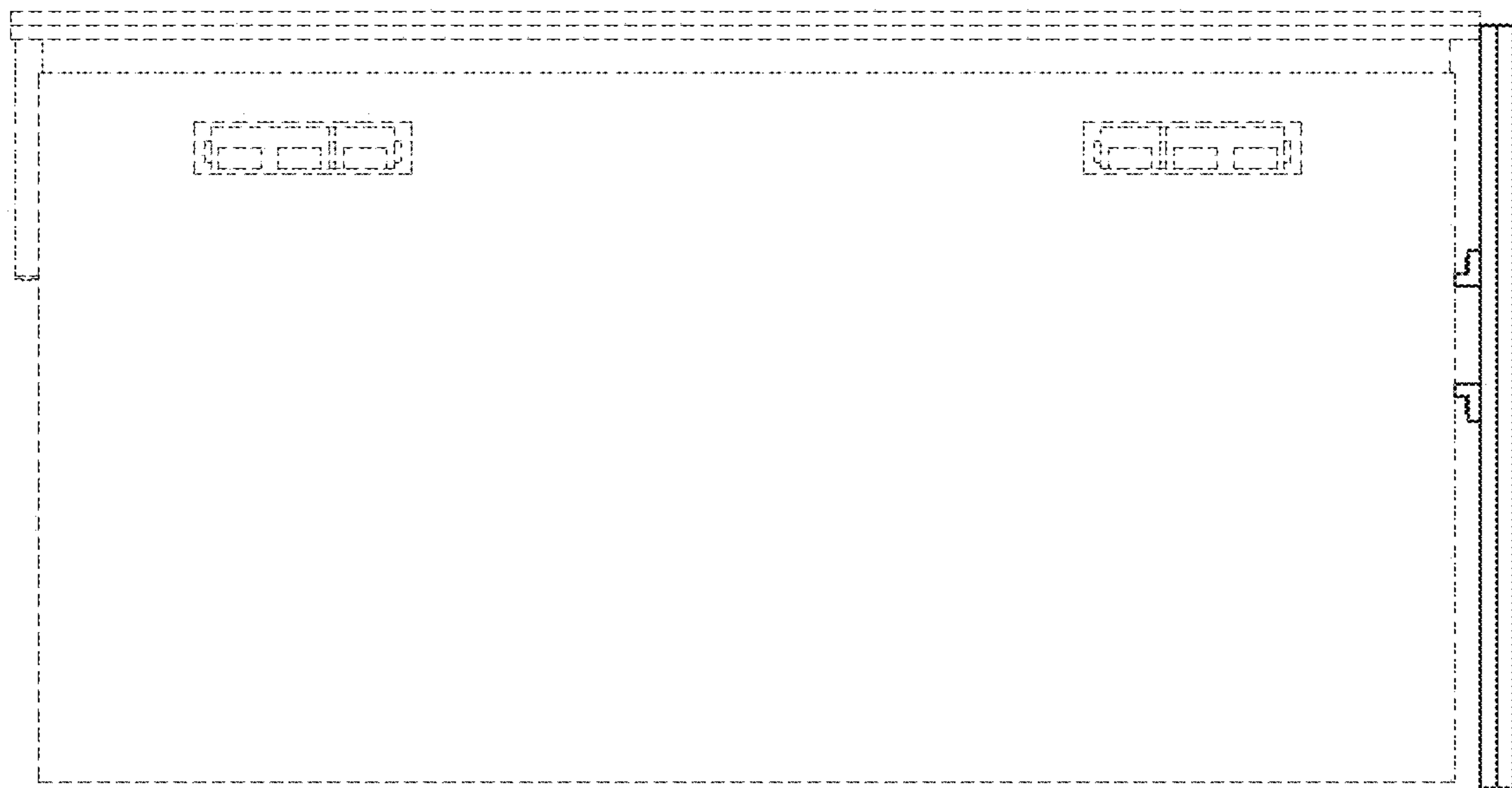


FIG. 7

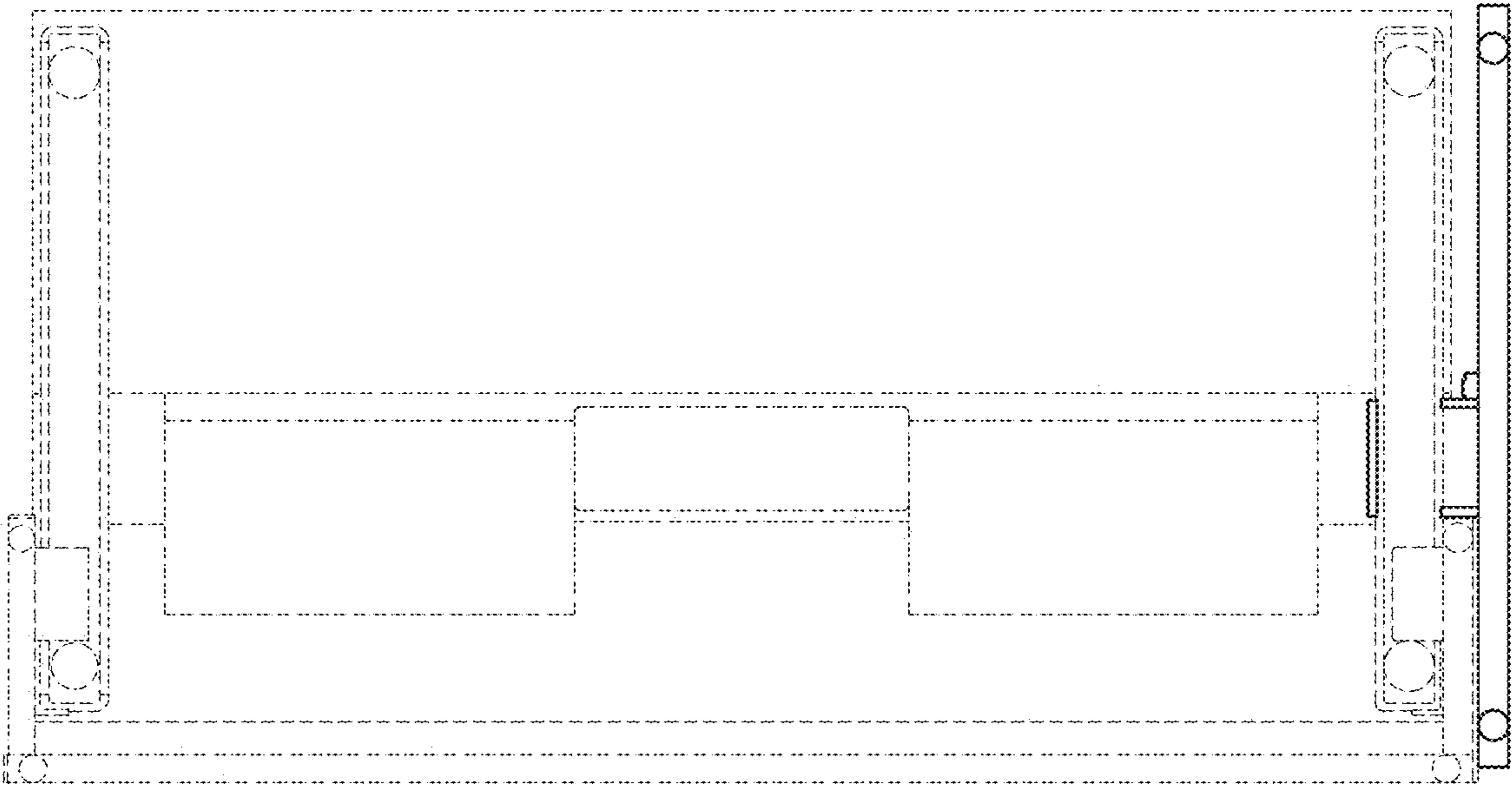


FIG. 8

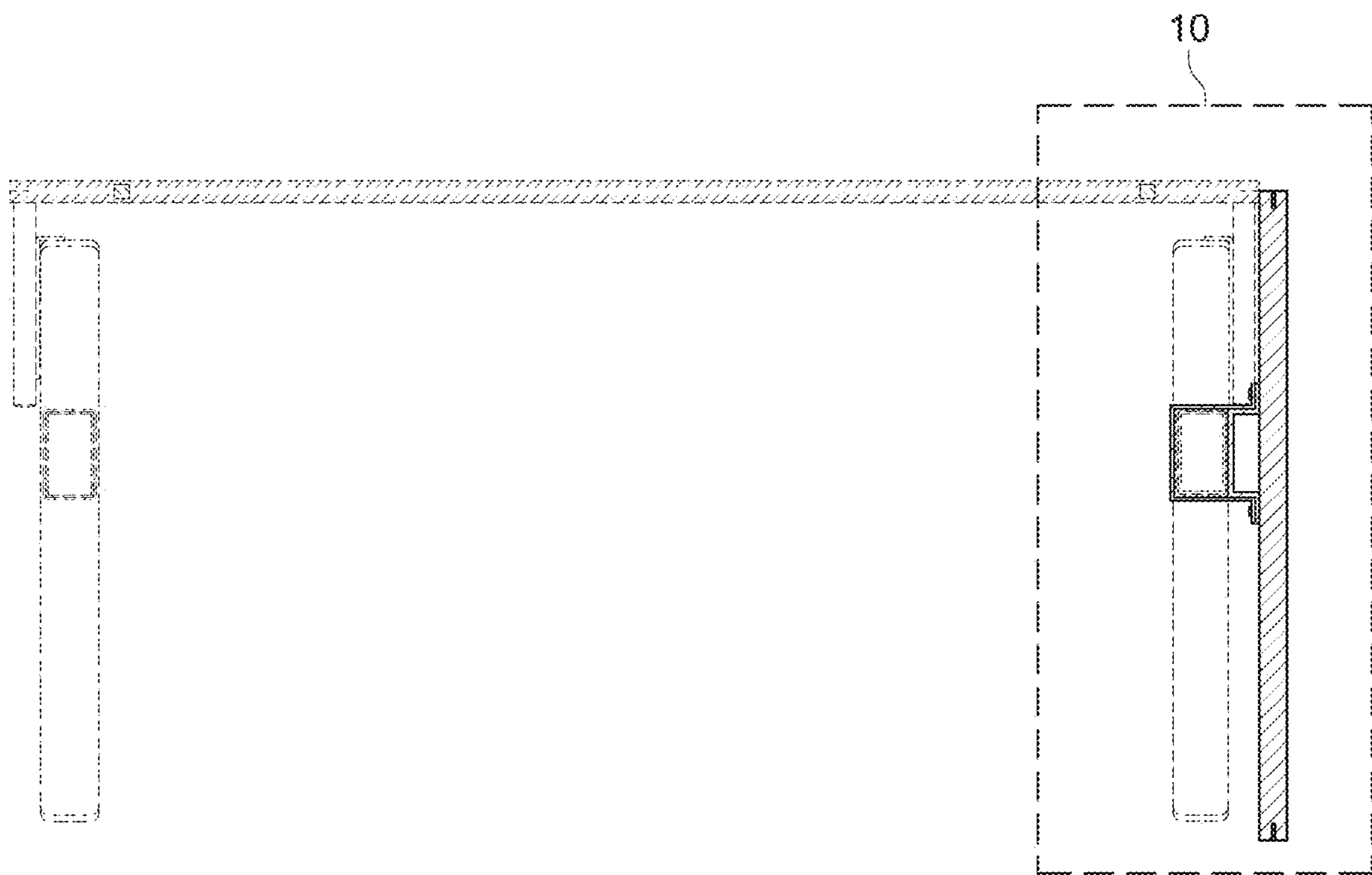


FIG. 9

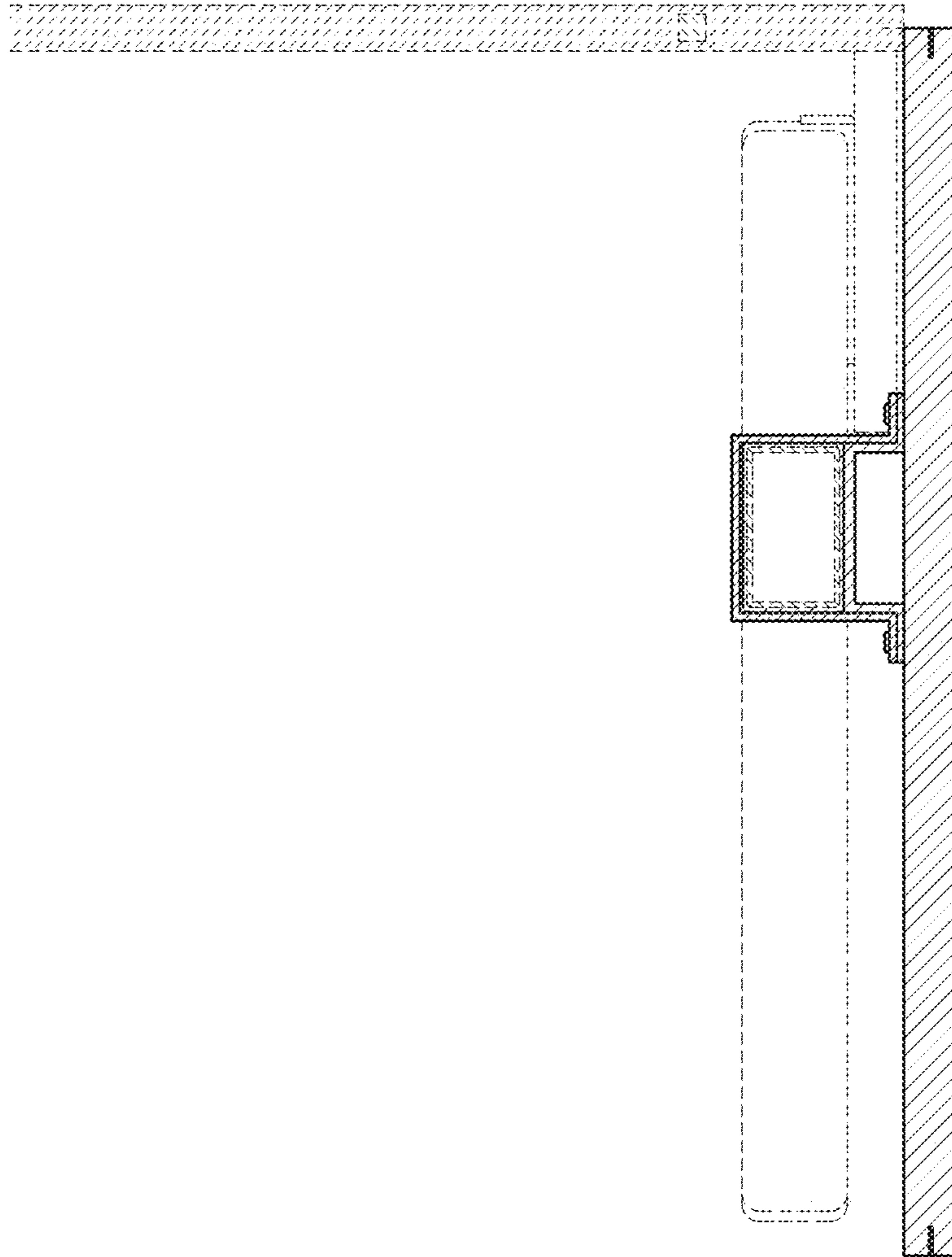


FIG. 10

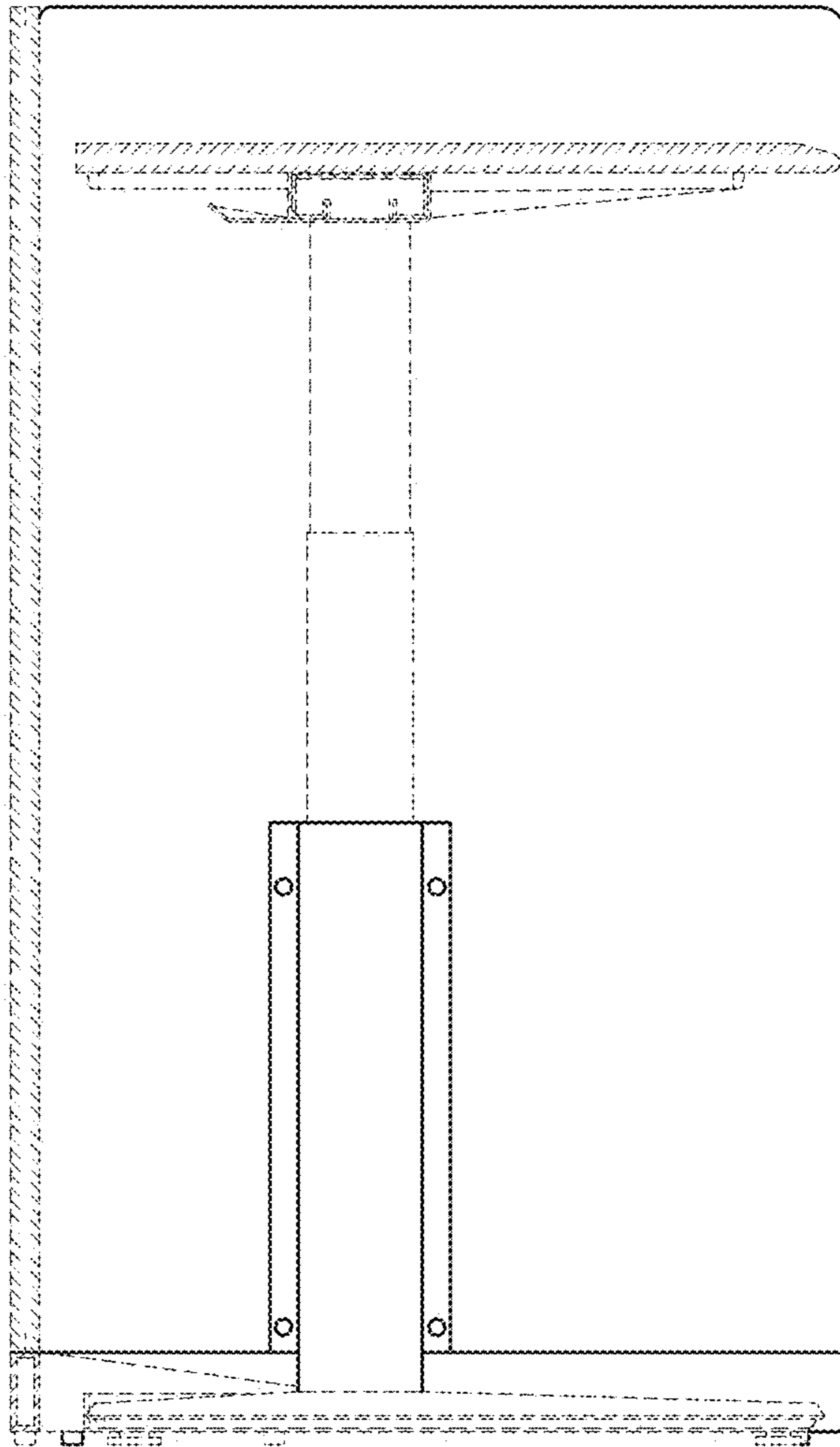


FIG. 11