



US00D877540S

(12) **United States Design Patent**  
**Yamamoto**

(10) **Patent No.:** **US D877,540 S**  
(45) **Date of Patent:** **\*\* Mar. 10, 2020**

- (54) **DESK PARTITION**
- (71) Applicant: **Okamura Corporation**, Yokohama-shi, Kanagawa (JP)
- (72) Inventor: **Takayuki Yamamoto**, Yokohama (JP)
- (73) Assignee: **Okamura Corporation**, Yokohama-shi, Kanagawa (JP)

- 2004/0083658 A1\* 5/2004 Laukuf ..... E04B 2/7416  
52/36.4
- 2009/0159363 A1\* 6/2009 Weber ..... A47B 83/04  
181/290
- 2010/0175332 A1\* 7/2010 Henriott ..... A47B 96/067  
52/36.6
- 2011/0302867 A1\* 12/2011 Parshad ..... E04B 2/7448  
52/582.1
- 2012/0305203 A1\* 12/2012 Verbeek ..... E04B 2/7427  
160/220

- (\*\*) Term: **15 Years**
- (21) Appl. No.: **29/642,182**
- (22) Filed: **Mar. 28, 2018**

(30) **Foreign Application Priority Data**

Oct. 2, 2017 (JP) ..... 2017-021717

(51) **LOC (12) Cl.** ..... **06-03**

(52) **U.S. Cl.**  
USPC ..... **D6/643; D6/713**

(58) **Field of Classification Search**  
USPC ..... D6/640, 641, 642, 643, 643.1, 644, 645,  
D6/647, 648, 649, 650, 652, 652.1, 652.2,  
D6/653, 653.1, 656.16, 656.17, 700, 706,  
D6/713, 714, 708.24  
CPC . A47F 3/00; A47F 3/142; A47B 57/00; A47B  
57/30; A47B 57/40; A47B 87/00; E04B  
2/744; E04B 2/7407; E04B 2/7416; E04B  
2002/7483  
See application file for complete search history.

(56) **References Cited**

**U.S. PATENT DOCUMENTS**

- D216,991 S \* 3/1970 Gianfagna ..... D6/643.1
- D261,013 S \* 9/1981 DeMars ..... D20/42
- 5,129,200 A \* 7/1992 Kaneko ..... A47B 83/001  
52/205
- D786,594 S \* 5/2017 Yamamoto ..... D6/702
- D808,668 S \* 1/2018 Tsuchiyama ..... D6/332

(Continued)

**OTHER PUBLICATIONS**

Caliavo, posted at Image.rakuten.co.jp, posted on Aug. 30, 2017, site visited Jul. 29, 2019. online, available from internet: <https://image.rakuten.co.jp/soholife/cabinet/f11/tpc-2821.jpg> (Year: 2017).\*

*Primary Examiner* — Mary Ann Calabrese

*Assistant Examiner* — Catherine Ho

(74) *Attorney, Agent, or Firm* — Sughrue Mion, PLLC

(57) **CLAIM**

The ornamental design for a desk partition, as shown and described.

**DESCRIPTION**

FIG. 1 is a front right perspective view of a desk partition, showing my new design.

FIG. 2 is a front elevation view thereof.

FIG. 3 is a right side elevation view thereof. A left side elevation view is a mirror image of the right side elevation view.

FIG. 4 is a top plan view thereof.

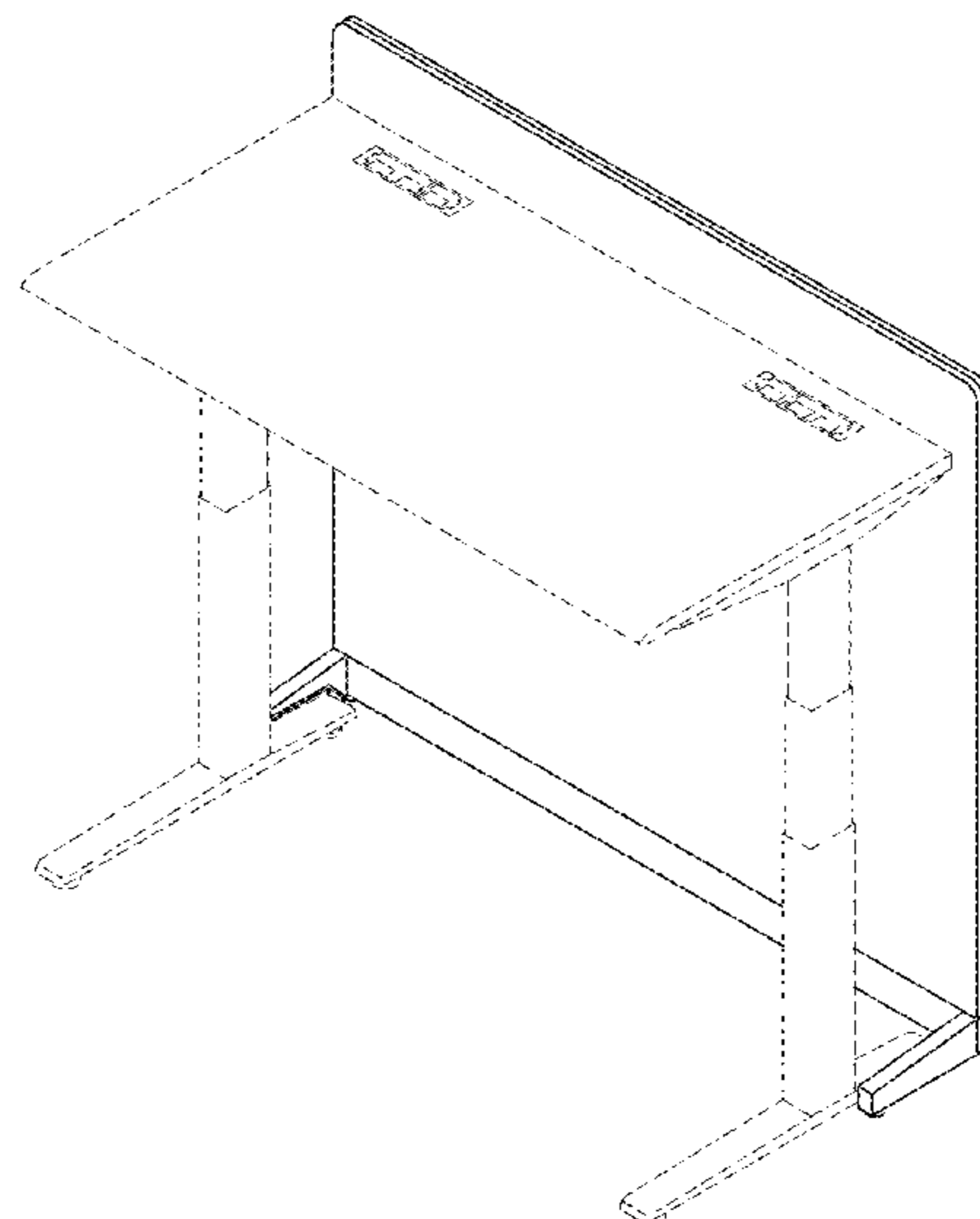
FIG. 5 is a rear elevation view thereof.

FIG. 6 is a bottom plan view thereof; and,

FIG. 7 is a cross-sectional view taken along the line 7-7 in FIG. 2.

The broken line portion of the figure drawings is included to show portions of the article that form no part of the claimed design.

**1 Claim, 7 Drawing Sheets**



(56)

**References Cited**

U.S. PATENT DOCUMENTS

2014/0226360 A1\* 8/2014 Krijn ..... F21V 33/006  
362/555  
2018/0125230 A1\* 5/2018 Yamamoto ..... A47B 13/02  
2018/0216342 A1\* 8/2018 Lert, Jr. .... E04B 2/7416

\* cited by examiner

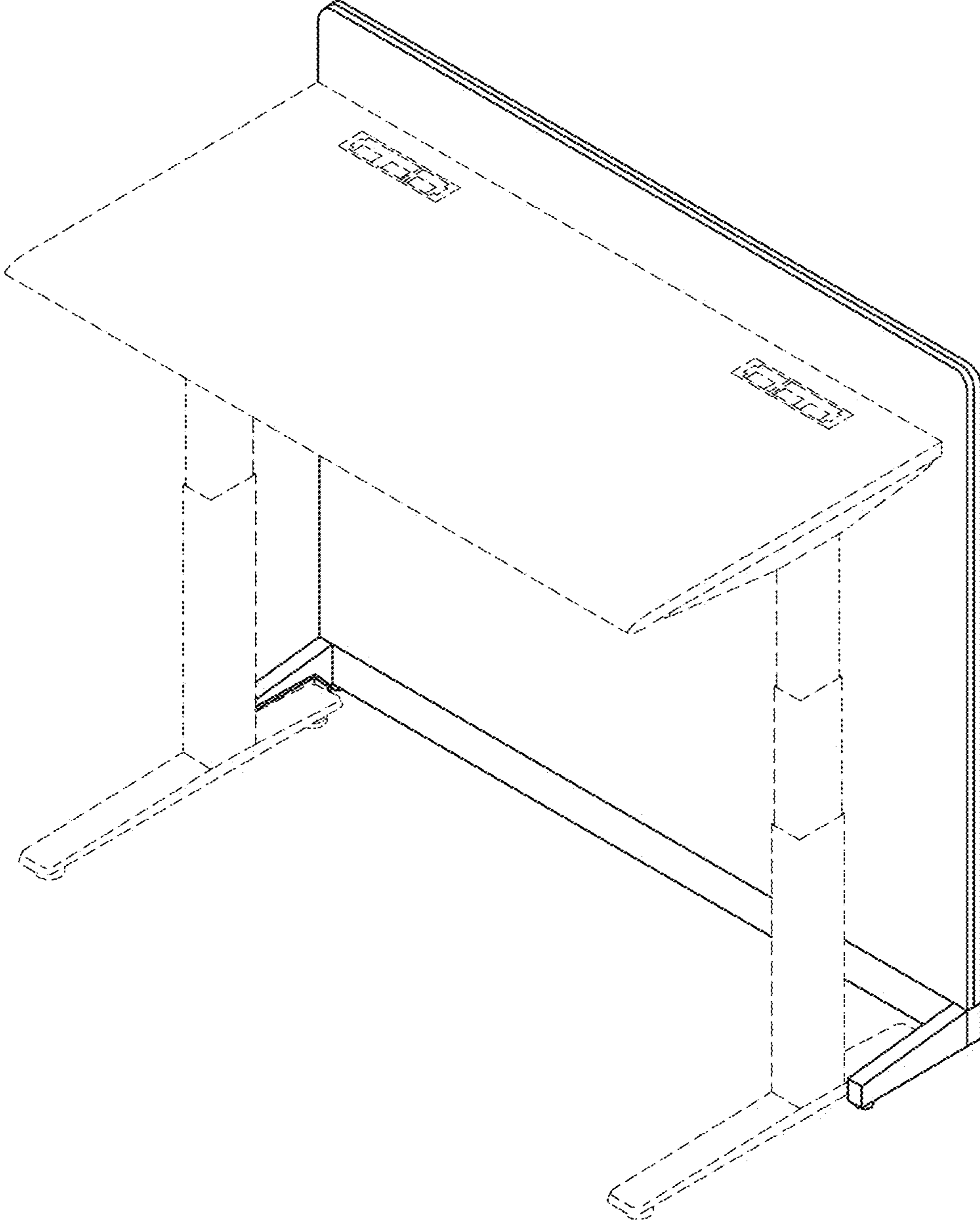


FIG. 1

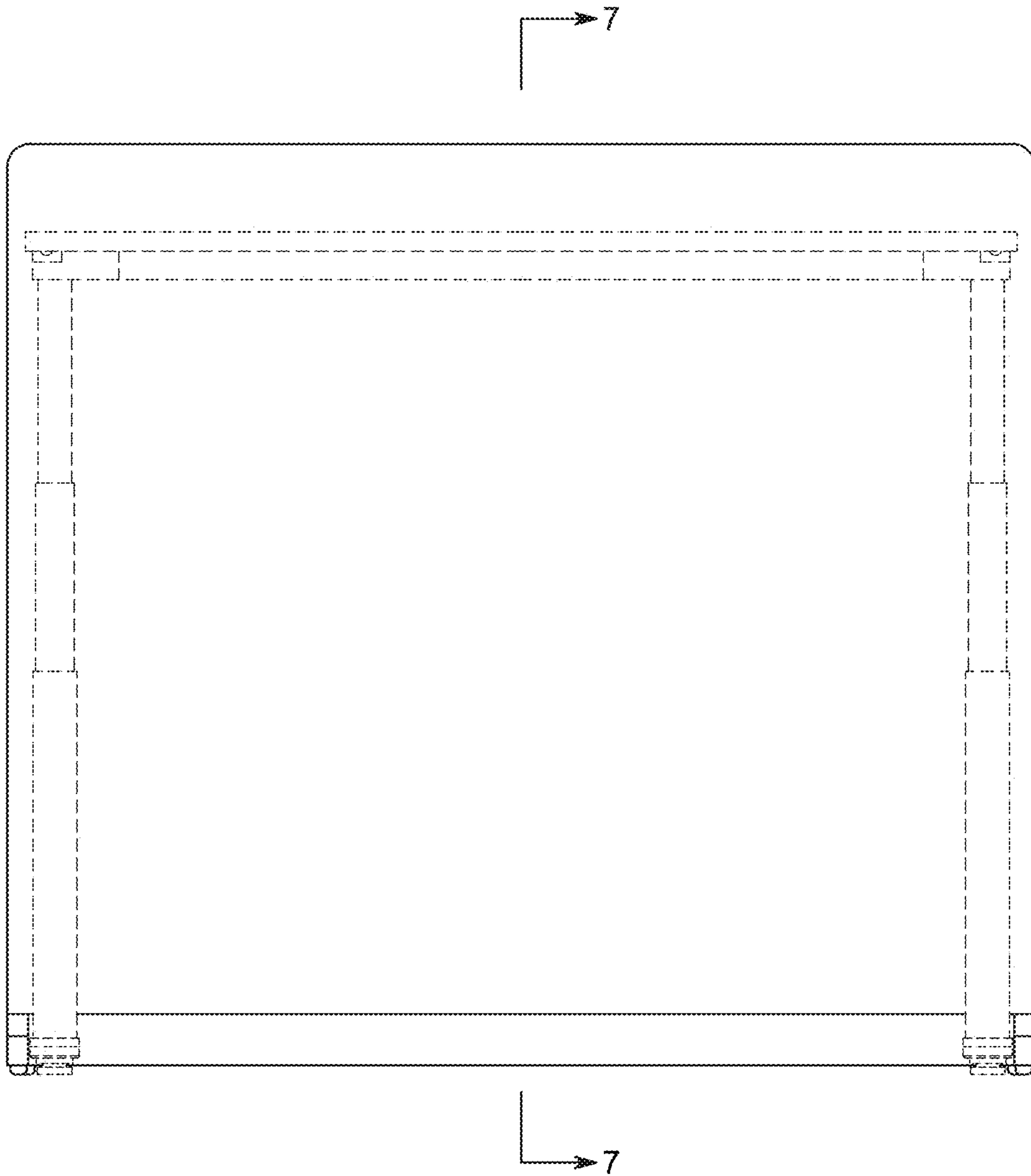


FIG. 2

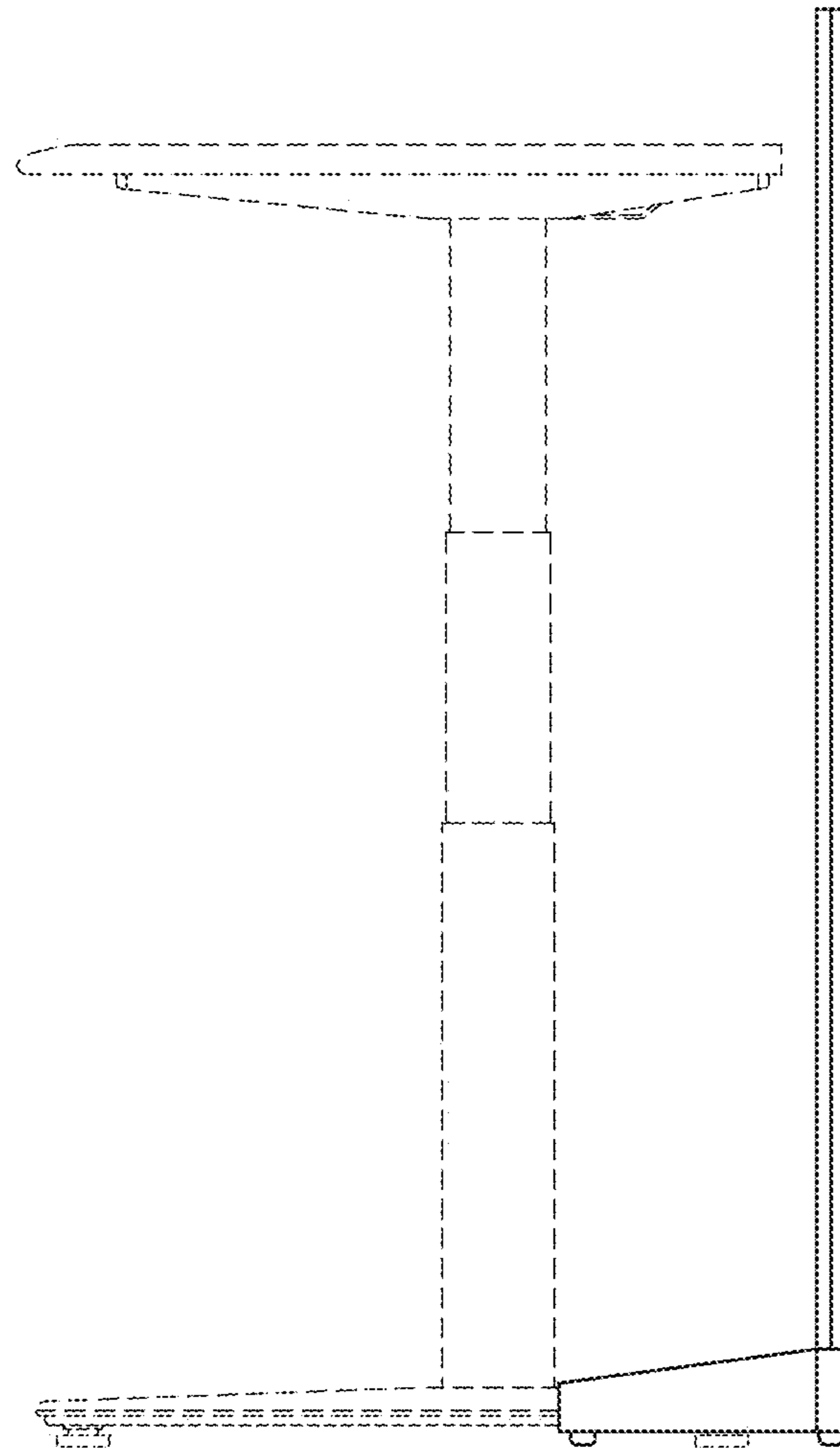


FIG. 3

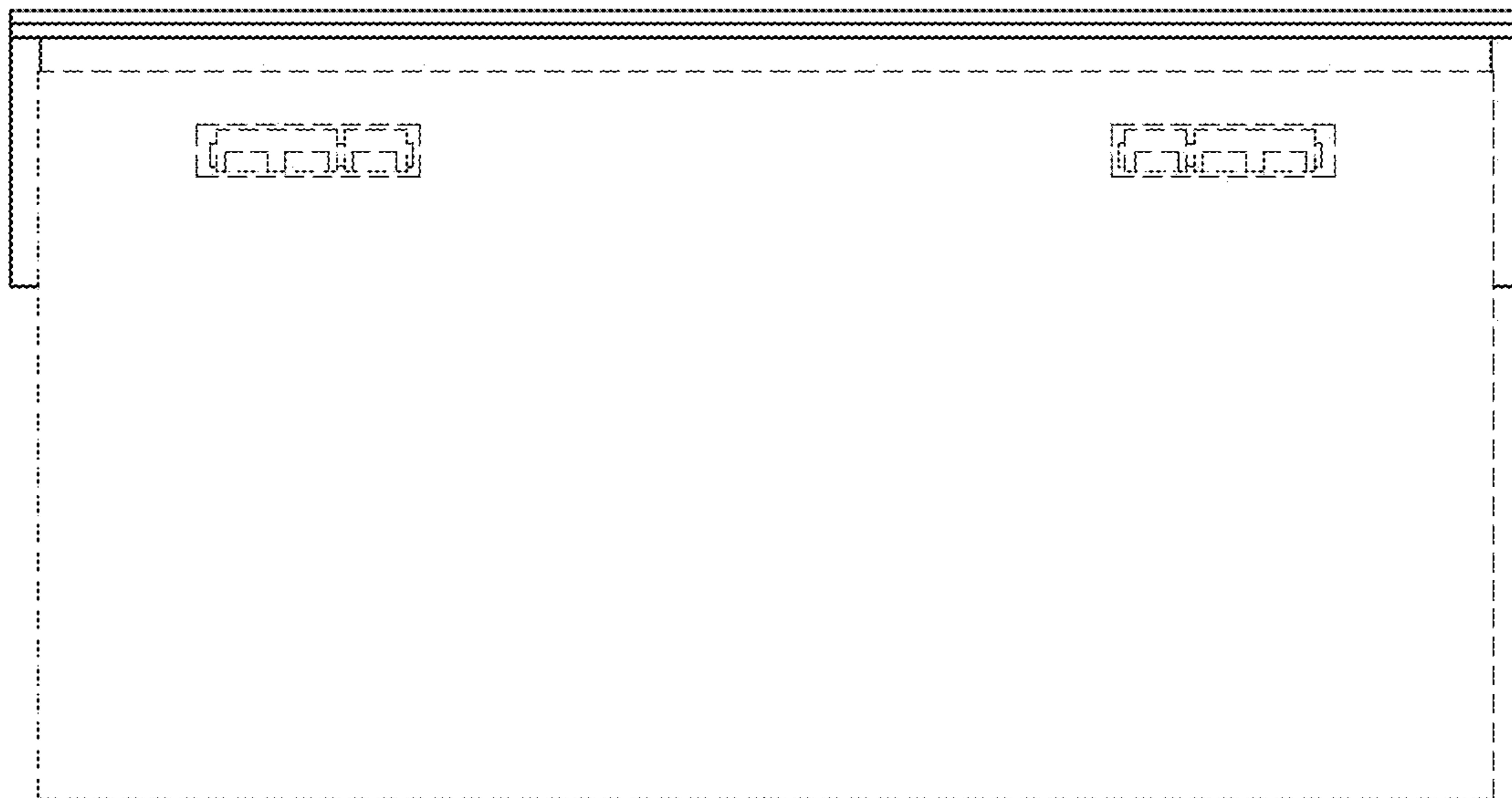


FIG. 4

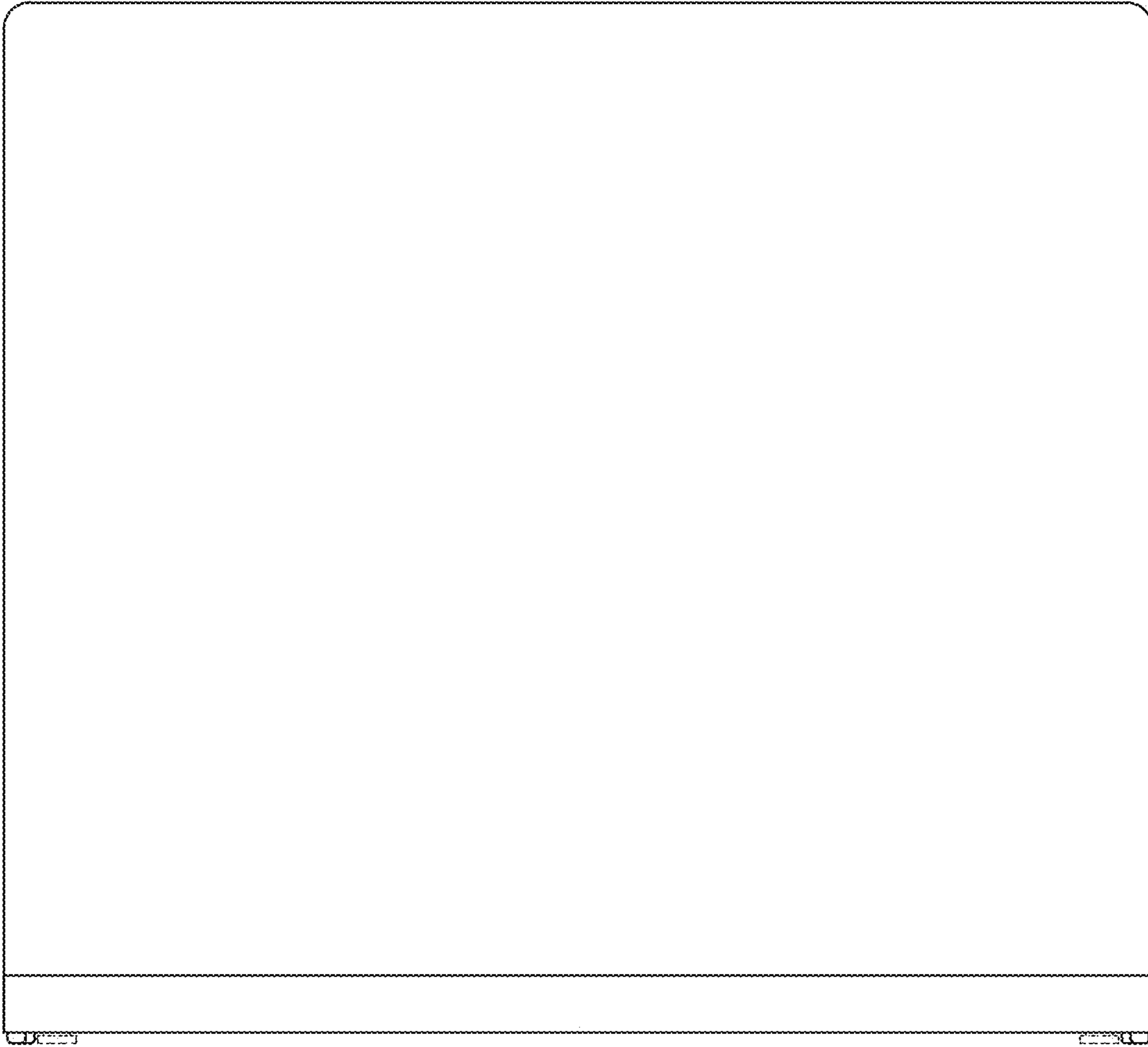


FIG. 5

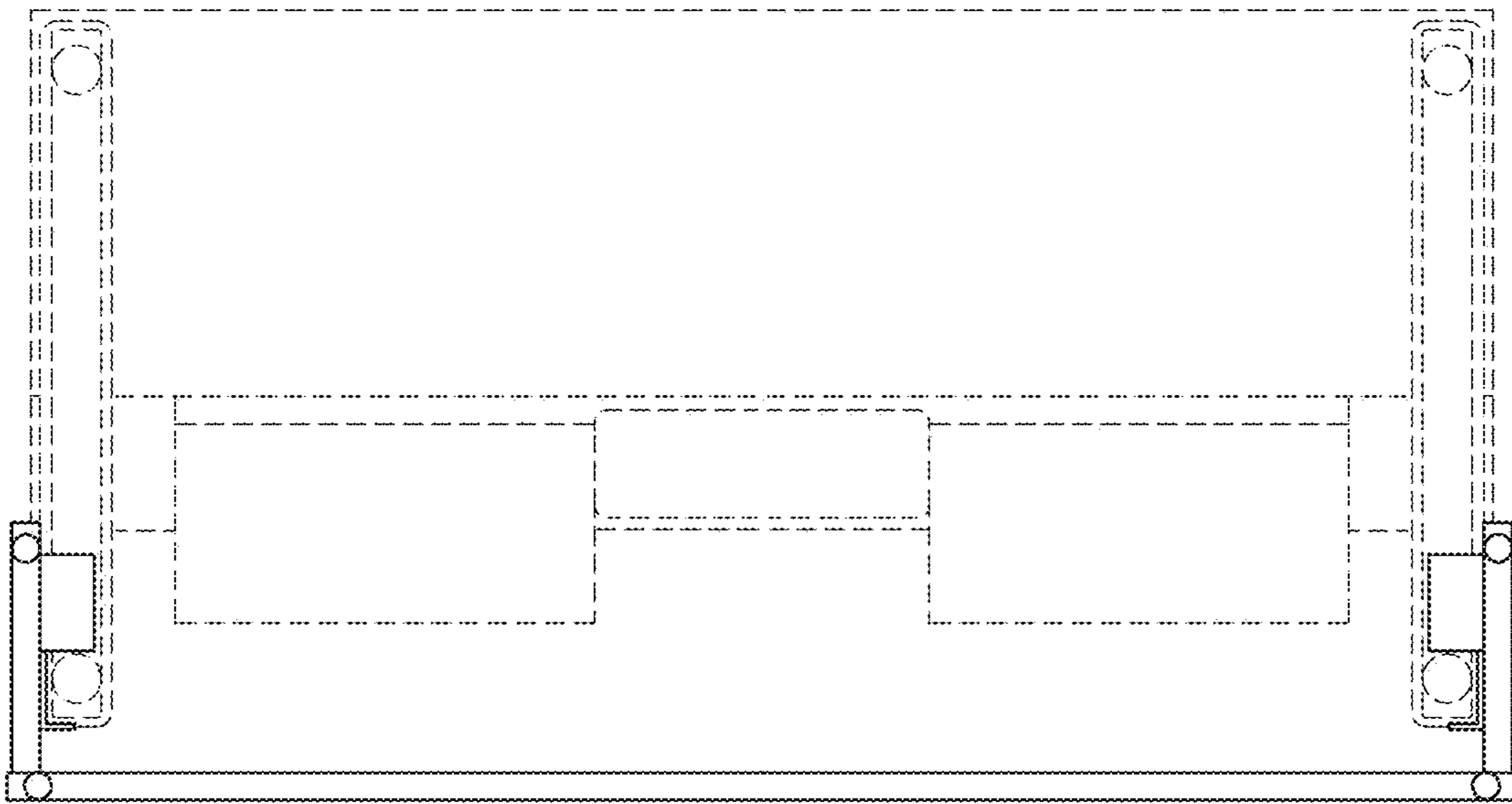


FIG. 6



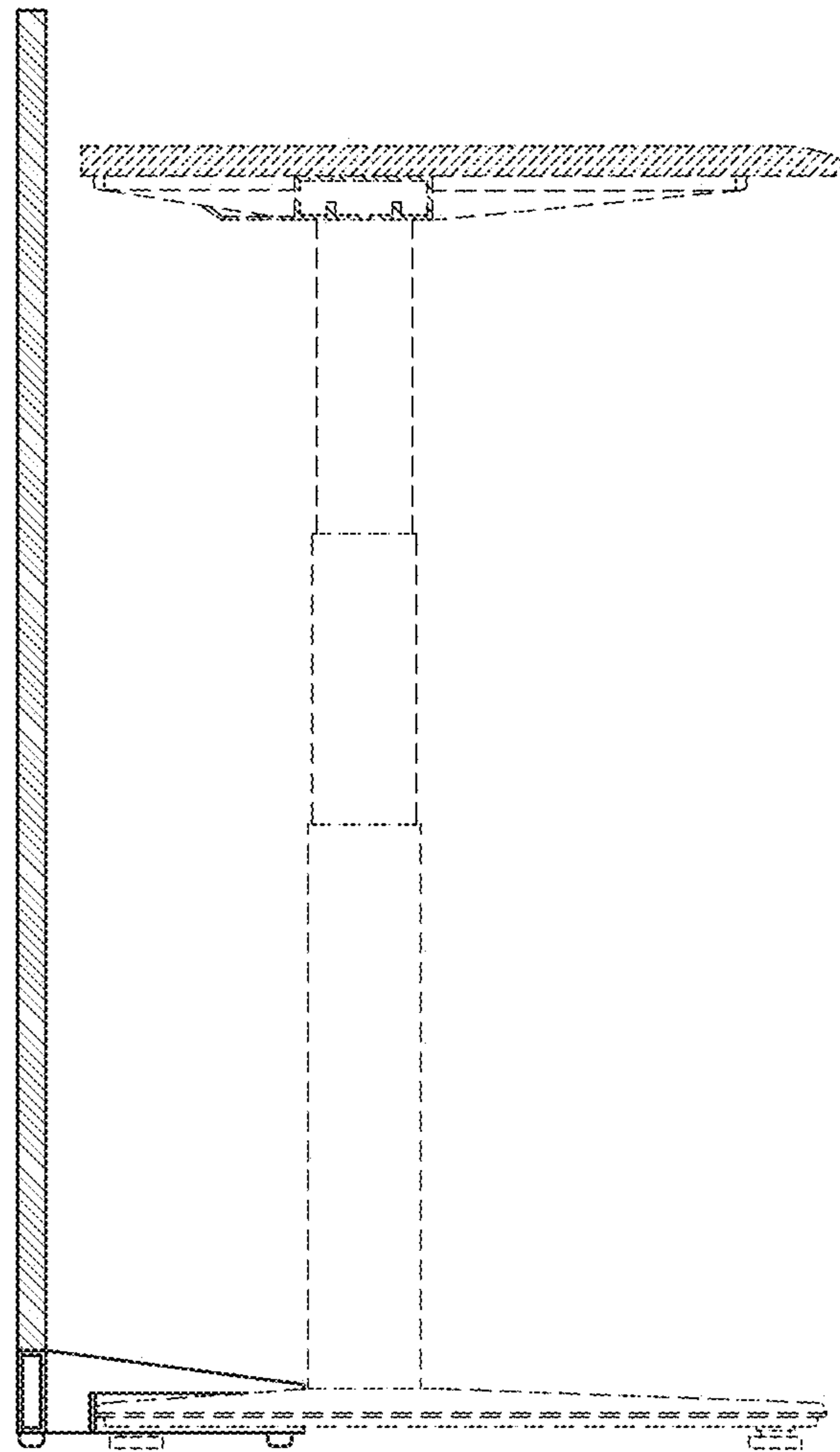


FIG. 7