



US00D877539S

(12) **United States Design Patent** (10) **Patent No.:** **US D877,539 S**  
**Mitchell et al.** (45) **Date of Patent:** **\*\* \*Mar. 10, 2020**

(54) **STREAMER SPORTS TOWEL**

(71) Applicants: **Nehemiah Mitchell**, Hayward, CA (US); **Brendan Royal**, Oakland, CA (US)

(72) Inventors: **Nehemiah Mitchell**, Hayward, CA (US); **Brendan Royal**, Oakland, CA (US)

(\*) Notice: This patent is subject to a terminal disclaimer.

(\*\*) Term: **15 Years**

(21) Appl. No.: **29/634,220**

(22) Filed: **Jan. 19, 2018**

(51) **LOC (12) Cl.** ..... **06-13**

(52) **U.S. Cl.**  
USPC ..... **D6/608**

(58) **Field of Classification Search**  
USPC ..... D6/583, 608  
CPC ..... A47K 10/16; A47K 10/02; D03D 2700/0177; A47G 9/062; A47G 9/066  
See application file for complete search history.

(56) **References Cited**

**U.S. PATENT DOCUMENTS**

D224,138 S *	7/1972	Mahler	.....	D6/583
4,403,366 A *	9/1983	Lucke	.....	A41D 13/0015 15/209.1
D318,772 S *	8/1991	Phillips	.....	5/419
D526,152 S *	8/2006	Scott	.....	D6/608
D627,951 S *	11/2010	Chesal	.....	D2/823
D770,813 S *	11/2016	Furstenburg	.....	D6/608
D840,131 S *	2/2019	Estes	.....	D2/738
2006/0174410 A1 *	8/2006	Mastandrea, Jr.	...	A01K 1/0353 5/482

(Continued)

**OTHER PUBLICATIONS**

GripBoost. <https://www.gripboost.com/products/grip-boost-football-sports-towel>. "Grip Boost White Football/Sports Towel V2.0". Date unknown: viewed Mar. 30, 2019. (Year: 2019).\*

(Continued)

*Primary Examiner* — R. Johnson

(74) *Attorney, Agent, or Firm* — Adibi IP Group, PC; Amir V. Adibi

(57) **CLAIM**

The ornamental design for the streamer sports towel, as shown and described.

**DESCRIPTION**

FIG. 1 is a front perspective view of a streamer sports towel fully extended showing our new design.

FIG. 2 is a front perspective view of the streamer sports towel having a folded end with attachment mechanisms connected showing our new design.

FIG. 3 is a top plan view thereof.

FIG. 4 is a bottom plan view thereof.

FIG. 5 is a left side view thereof; the right side view (not shown) being a mirror image thereof.

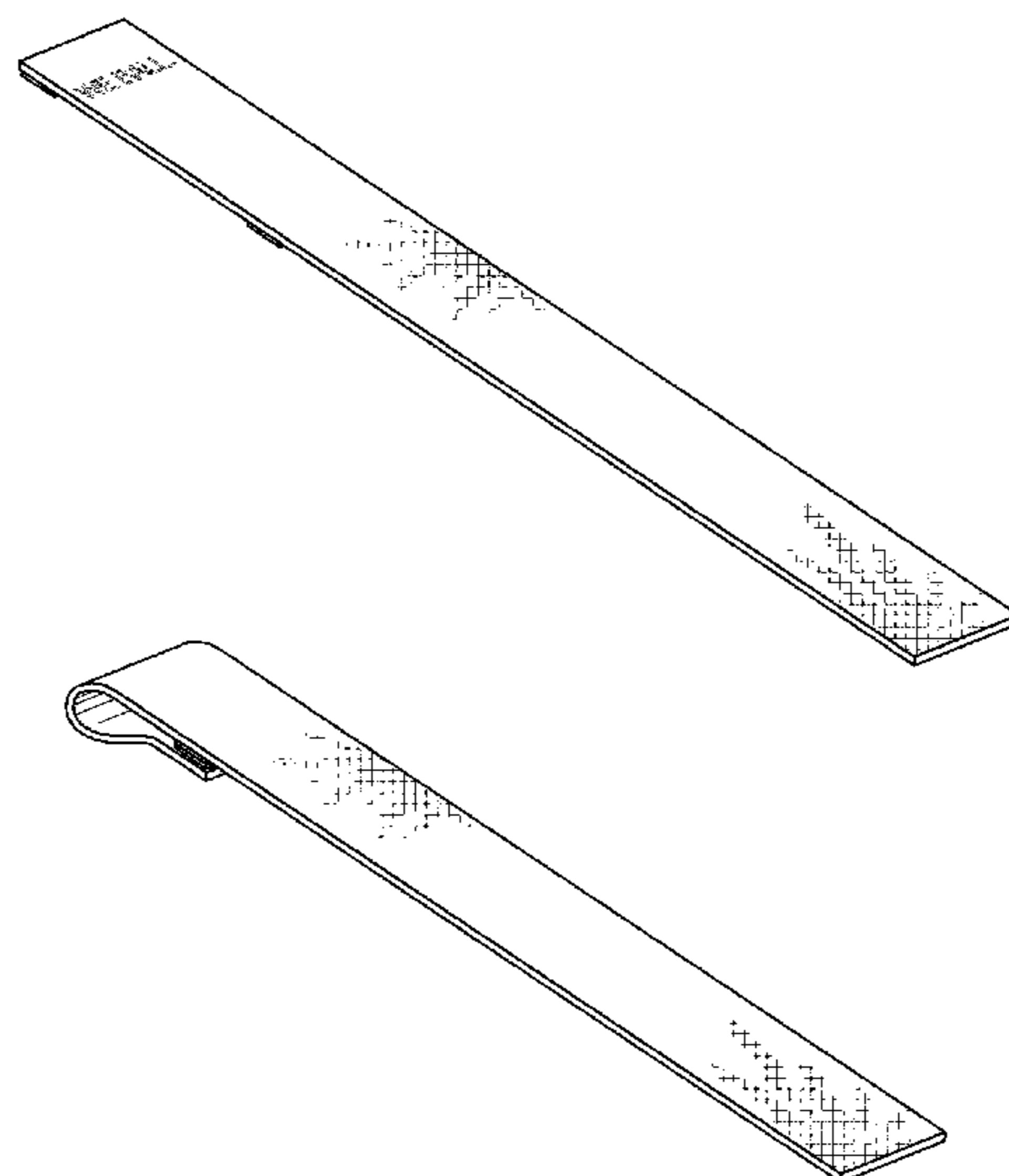
FIG. 6 is a top side view thereof; the bottom side view (not shown) being a mirror image thereof.

FIG. 7 is a reduced perspective view of the streamer sports towel attached to sport apparel; and,

FIG. 8 is a reduced perspective view of the streamer sports towel attached to sport apparel of an athlete during a sporting event.

The broken lines in FIGS. 1, 3, and 4 illustrate textual portions of the streamer sports towel that form no part of the claimed design. The broken lines in FIGS. 7 and 8 illustrate athletes and sport apparel that form no part of the claimed design. Views of the streamer sports towel not shown in the figures form no part of the claimed design. The cross-hatched surface treatment in FIGS. 1-4 is understood to extend across the entire surface.

**1 Claim, 3 Drawing Sheets**



(56)

**References Cited**

U.S. PATENT DOCUMENTS

2011/0225732 A1\* 9/2011 Eckhardt ..... A47G 9/066  
5/485  
2012/0204349 A1\* 8/2012 Kuo ..... A47C 27/14  
5/419  
2013/0071597 A1\* 3/2013 Tvelil ..... A47K 10/02  
428/54  
2013/0153081 A1\* 6/2013 Garbarino ..... D06H 5/00  
139/420 R

OTHER PUBLICATIONS

Dick's Sporting Goods. <https://www.dickssportinggoods.com/p/under-armour-streamer-football-towel-18uarustrmrfbtw12fta/18uarustrmrfbtw12fta>. "Under Armour Streamer Football Towel". Jan. 2019 (Year: 2019).\*

Amazon. [https://www.amazon.com/Under-Armour-SkiILL-Towel-Black/dp/B0716YXGHL/ref=pd\\_bxgy\\_200\\_img\\_2/147-5456191-2766007?\\_encoding=UTF8&pd\\_rd\\_i=B0716YXGHL&pd\\_rd\\_r=02c81df5-5327-11e9-a56e...](https://www.amazon.com/Under-Armour-SkiILL-Towel-Black/dp/B0716YXGHL/ref=pd_bxgy_200_img_2/147-5456191-2766007?_encoding=UTF8&pd_rd_i=B0716YXGHL&pd_rd_r=02c81df5-5327-11e9-a56e...) "Under Armour UA SkiILL Towel". Date Unknown: Viewed Mar. 2019 (Year: 2019).\*

\* cited by examiner

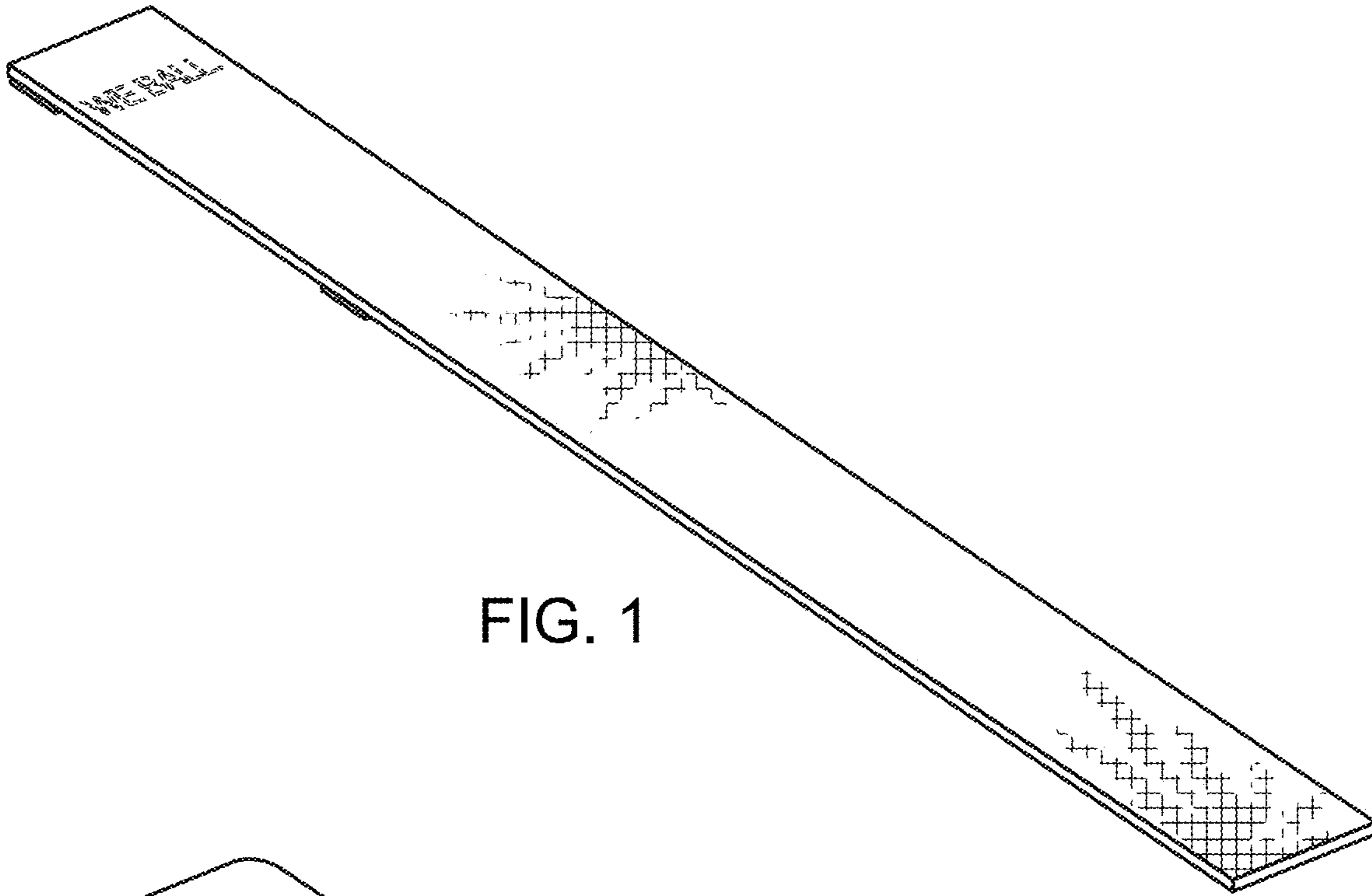


FIG. 1

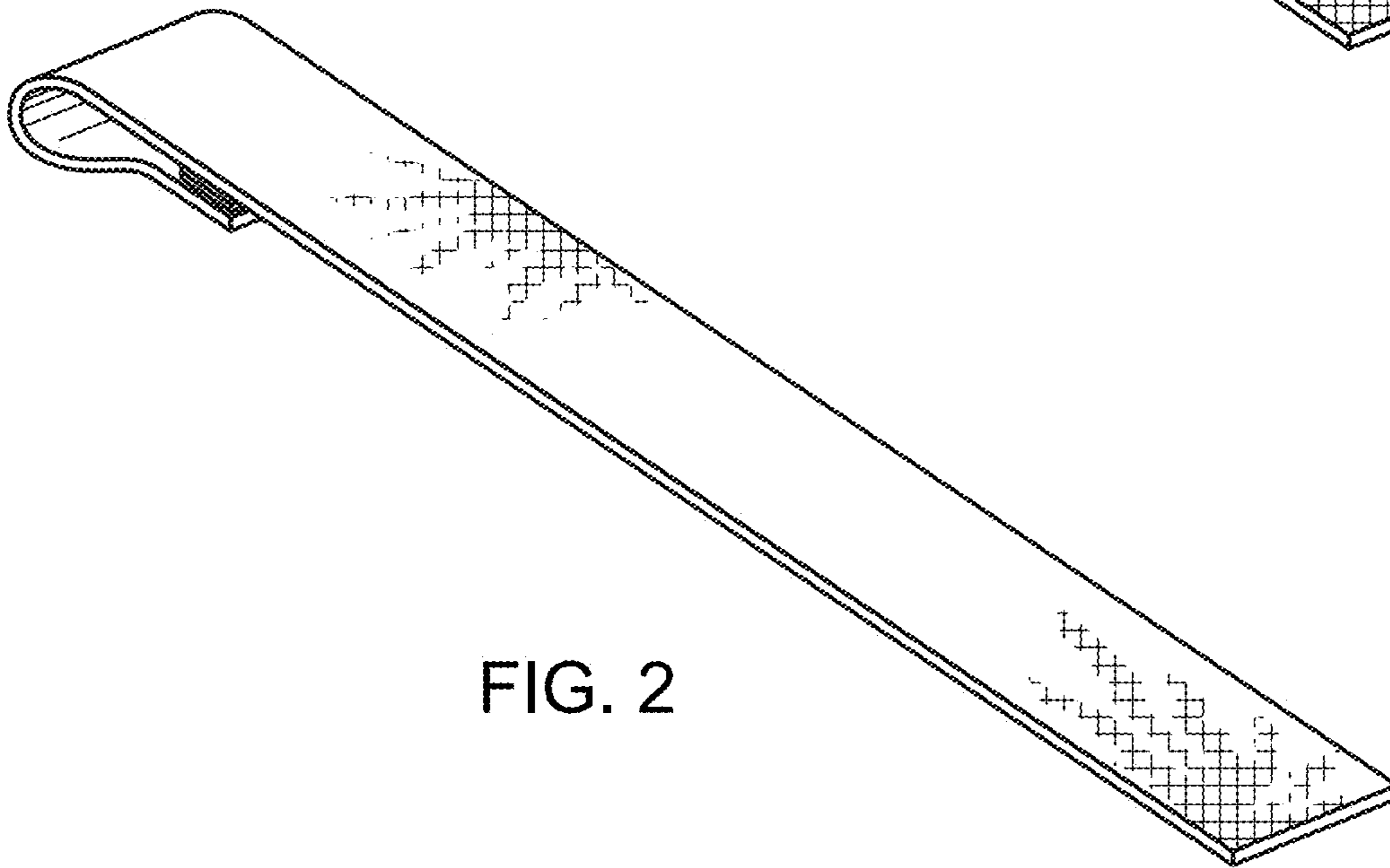


FIG. 2

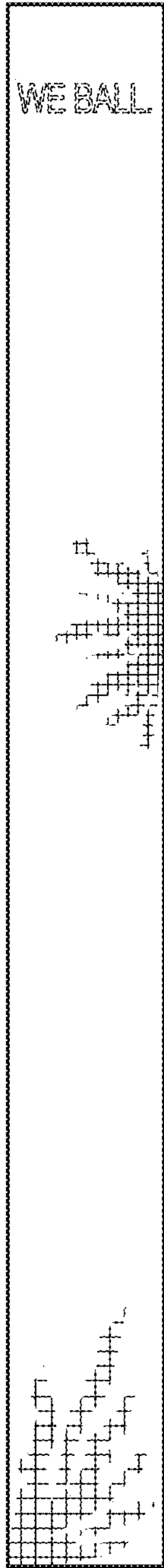


FIG. 3

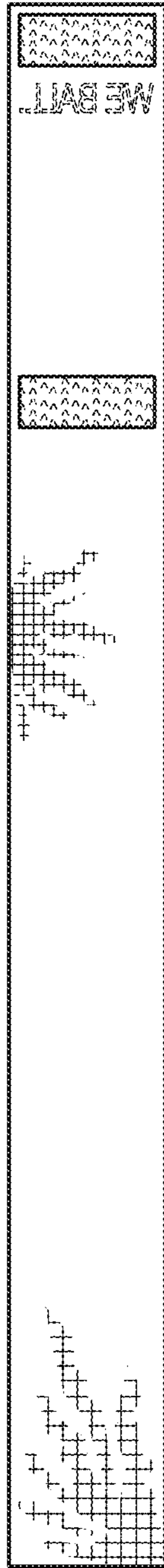


FIG. 4



FIG. 5

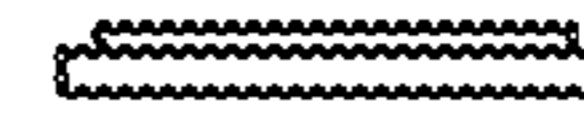


FIG. 6

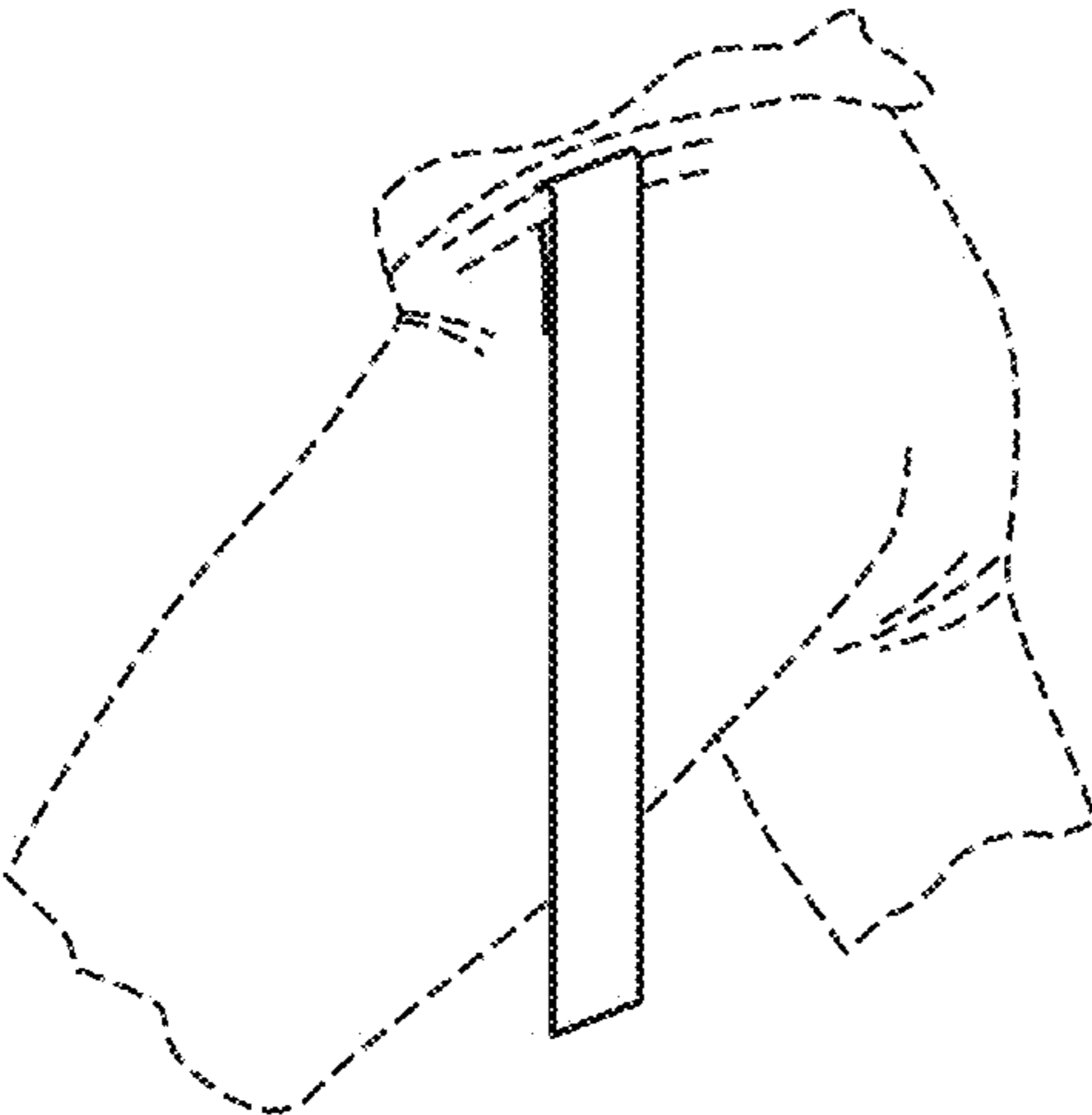


FIG. 7

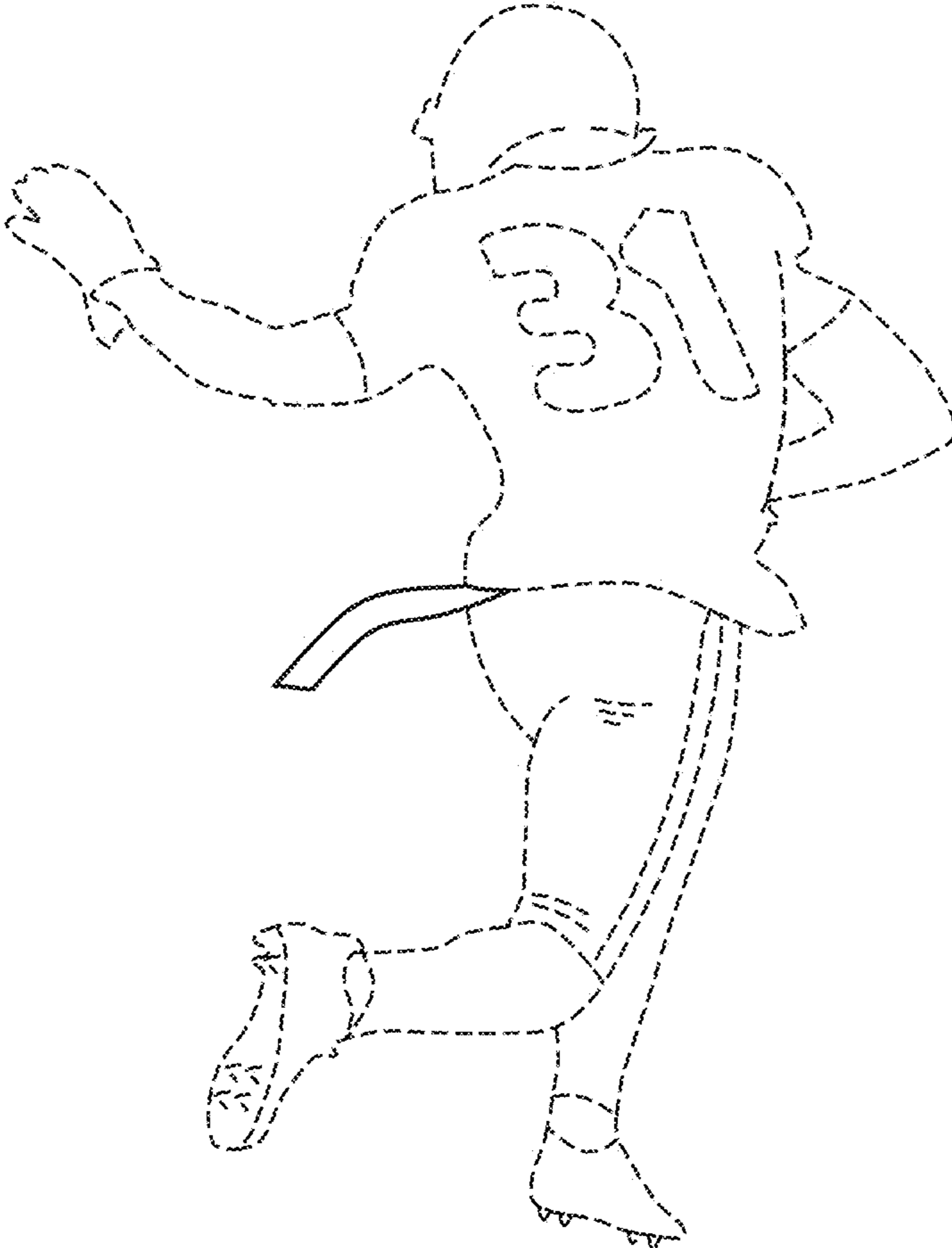


FIG. 8