

US00D877535S

(12) **United States Design Patent** (10) **Patent No.:** **US D877,535 S**  
**Bolos et al.** (45) **Date of Patent:** **\*\* Mar. 10, 2020**

(54) **SHELF SYSTEM**

(71) Applicant: **ABVIOUS, LLC**, Burr Ridge, IL (US)

(72) Inventors: **Michael F. Bolos**, Chicago, IL (US);  
**Jason Grohowski**, Chicago, IL (US);  
**Scott Wilson**, Chicago, IL (US); **Kyle Buzzard**, Lombard, IL (US); **Gary Paulsen**, Chicago, IL (US)

(73) Assignee: **Abvious, LLC**, Burr Ridge, IL (US)

(\*\*) Term: **15 Years**

(21) Appl. No.: **29/663,142**

(22) Filed: **Sep. 12, 2018**

**Related U.S. Application Data**

(63) Continuation of application No. 29/593,413, filed on Feb. 8, 2017, now Pat. No. Des. 831,381.

(51) **LOC (12) Cl.** ..... **06-04**

(52) **U.S. Cl.**

USPC ..... **D6/574**

(58) **Field of Classification Search**

USPC ..... D6/553, 574, 568, 567, 329, 396, 417,  
D6/552, 705.1; 108/152; 211/13.1, 49.1,  
211/60.1, 64, 70.5, 86.01, 87.01, 88.01,  
211/89.01, 181.1; 248/121, 175, 200, 302

CPC ..... A47K 3/281; A47K 3/001; A47K 5/04;  
A47B 96/022; A47B 96/021; A47B  
96/024; A47B 96/066; A47B 55/00

See application file for complete search history.

(56) **References Cited**

**U.S. PATENT DOCUMENTS**

5,096,272 A 3/1992 Belokin et al.  
D458,072 S 6/2002 Hoernig  
D493,316 S 7/2004 Hoernig  
D508,646 S 8/2005 Gates

(Continued)

*Primary Examiner* — Wan Laymon

*Assistant Examiner* — Mark Booker

(74) *Attorney, Agent, or Firm* — Barich IP Law Group

(57) **CLAIM**

The ornamental design for a shelf system, as shown and described.

**DESCRIPTION**

FIG. 1 is a top perspective view of a first embodiment of the shelf system having a lever-enabled suction structure.

FIG. 2 is a bottom perspective view of the first embodiment of the shelf system having a lever-enabled suction structure of FIG. 1.

FIG. 3 is a left side view of the first embodiment of the shelf system having a lever-enabled suction structure of FIG. 1.

FIG. 4 is a right side view of the first embodiment of the shelf system having a lever-enabled suction structure of FIG. 1.

FIG. 5 is a front view of the first embodiment of the shelf system having a lever-enabled suction structure of FIG. 1.

FIG. 6 is a rear view of the first embodiment of the shelf system having a lever-enabled suction structure of FIG. 1.

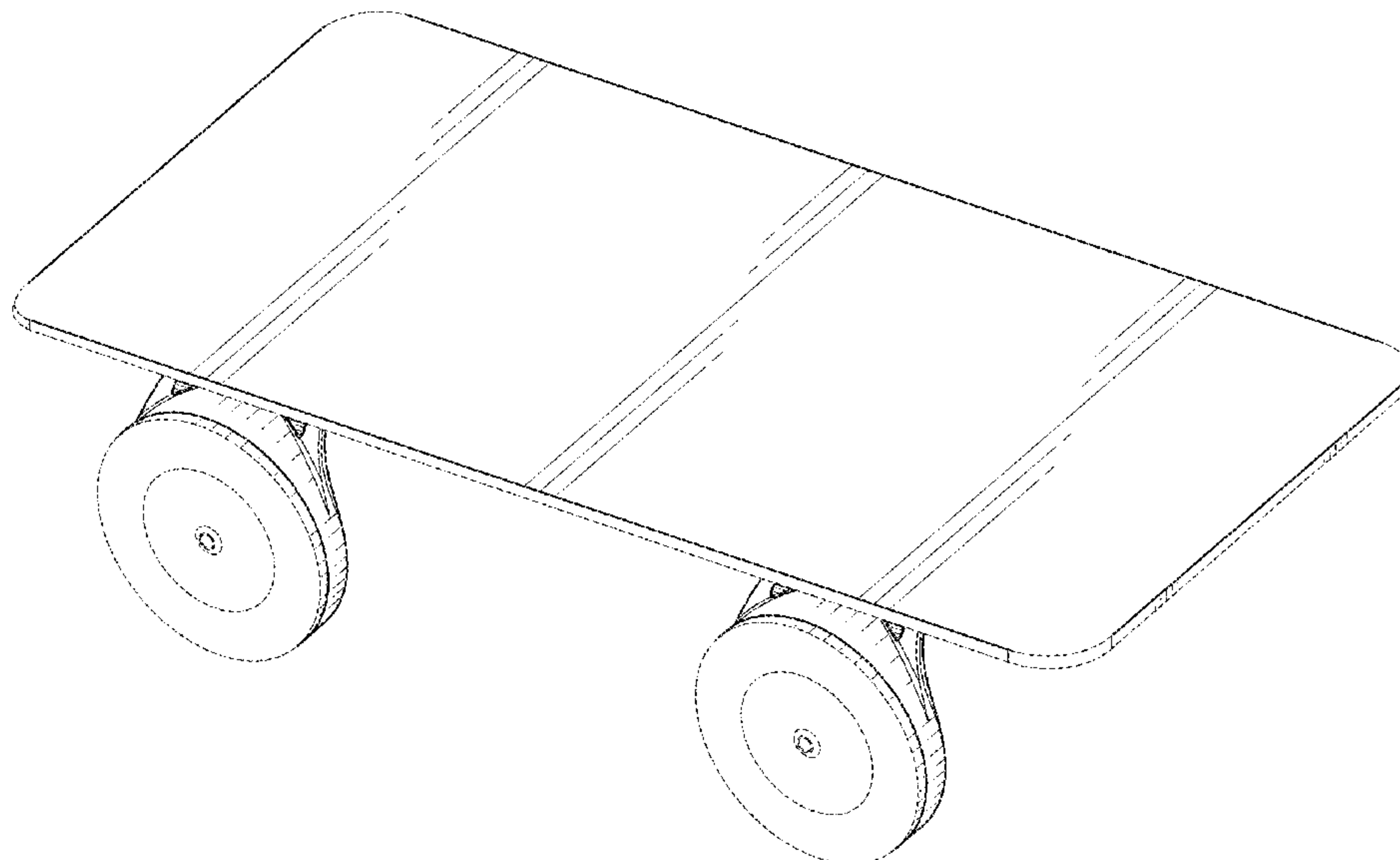
FIG. 7 is a top view of the first embodiment of the shelf system having a lever-enabled suction structure of FIG. 1.

FIG. 8 is a bottom view of the first embodiment of the shelf system having a lever-enabled suction structure of FIG. 1; and,

FIG. 9 is the bottom perspective view of the first embodiment of the shelf system having a lever-enabled suction structure as shown in FIG. 2, but with the suction levers rotated upwards into a deactivated position.

The broken lines shown in the Figures represent portions of the shelf system that form no part of the claimed design. The broken line showing immediately adjacent the shaded areas represents boundaries to the claimed design and forms no part of the claimed design.

**1 Claim, 7 Drawing Sheets**



(56)

**References Cited**

U.S. PATENT DOCUMENTS

D509,088	S	*	9/2005	Hoernig .....	D6/574
D520,288	S	*	5/2006	Grosfillex .....	D6/574
D570,146	S	*	6/2008	Bickler .....	D6/574
D577,239	S	*	9/2008	Krumpe .....	D6/574
7,578,487	B2		8/2009	Kaneda et al.	
8,393,113	B2		3/2013	Rex	
2009/0045155	A1		2/2009	Howard	
2015/0108134	A1		4/2015	Fangyuan	
2017/0202281	A1		7/2017	Passaretti et al.	

\* cited by examiner

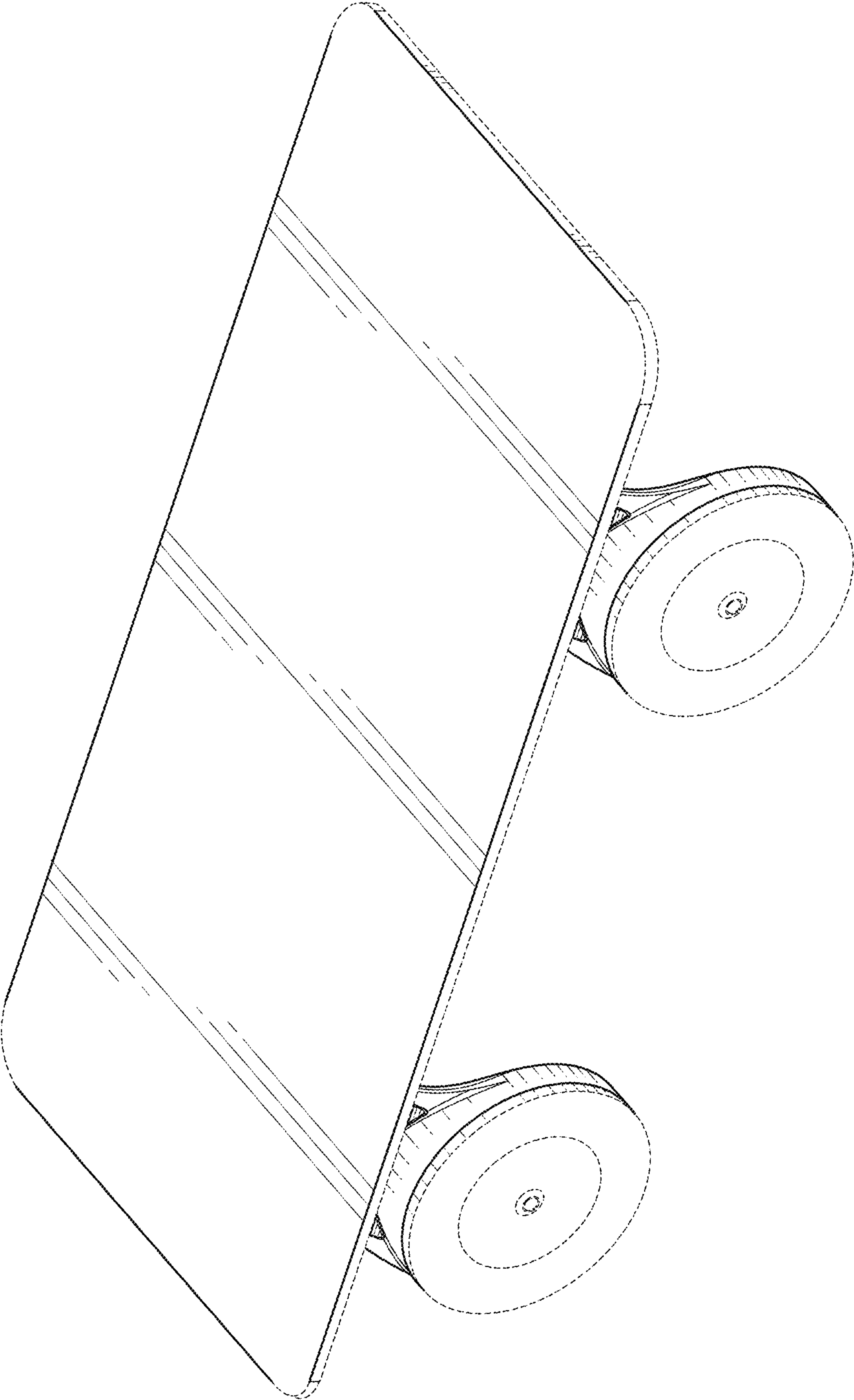


FIG. 1

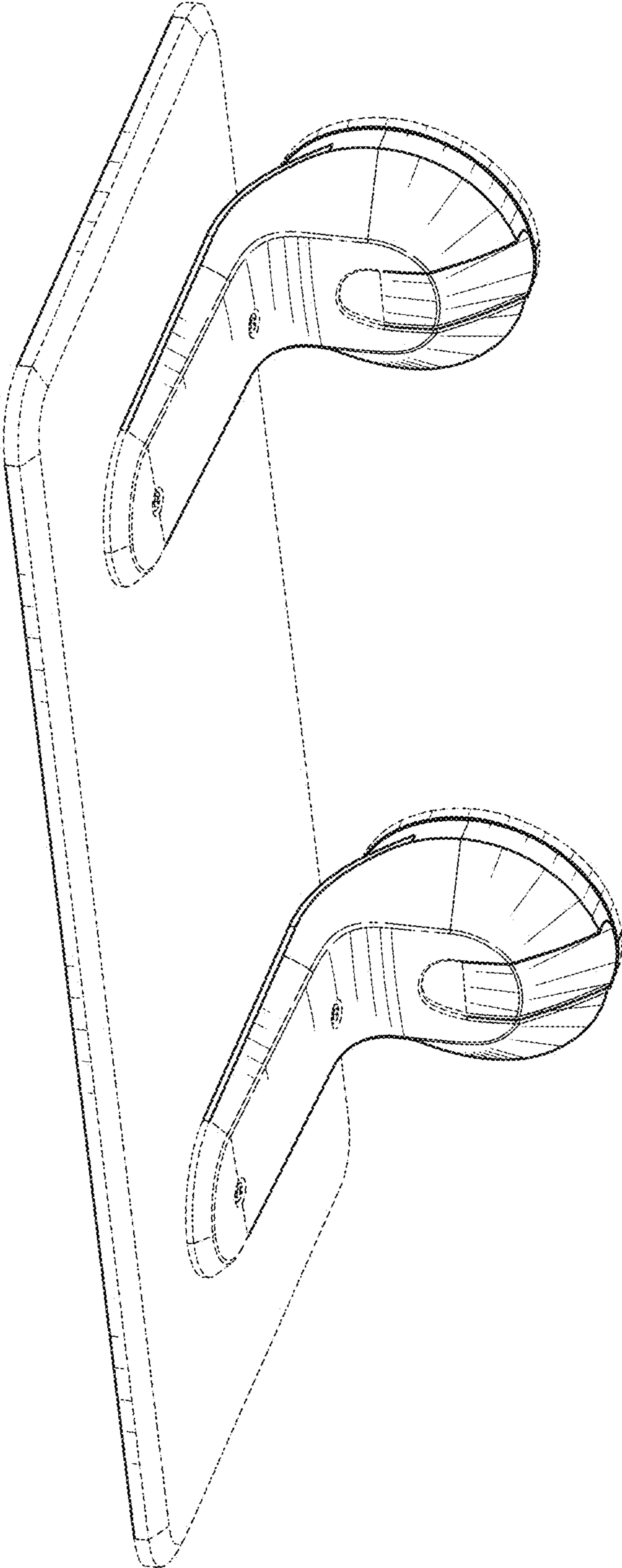


FIG. 2

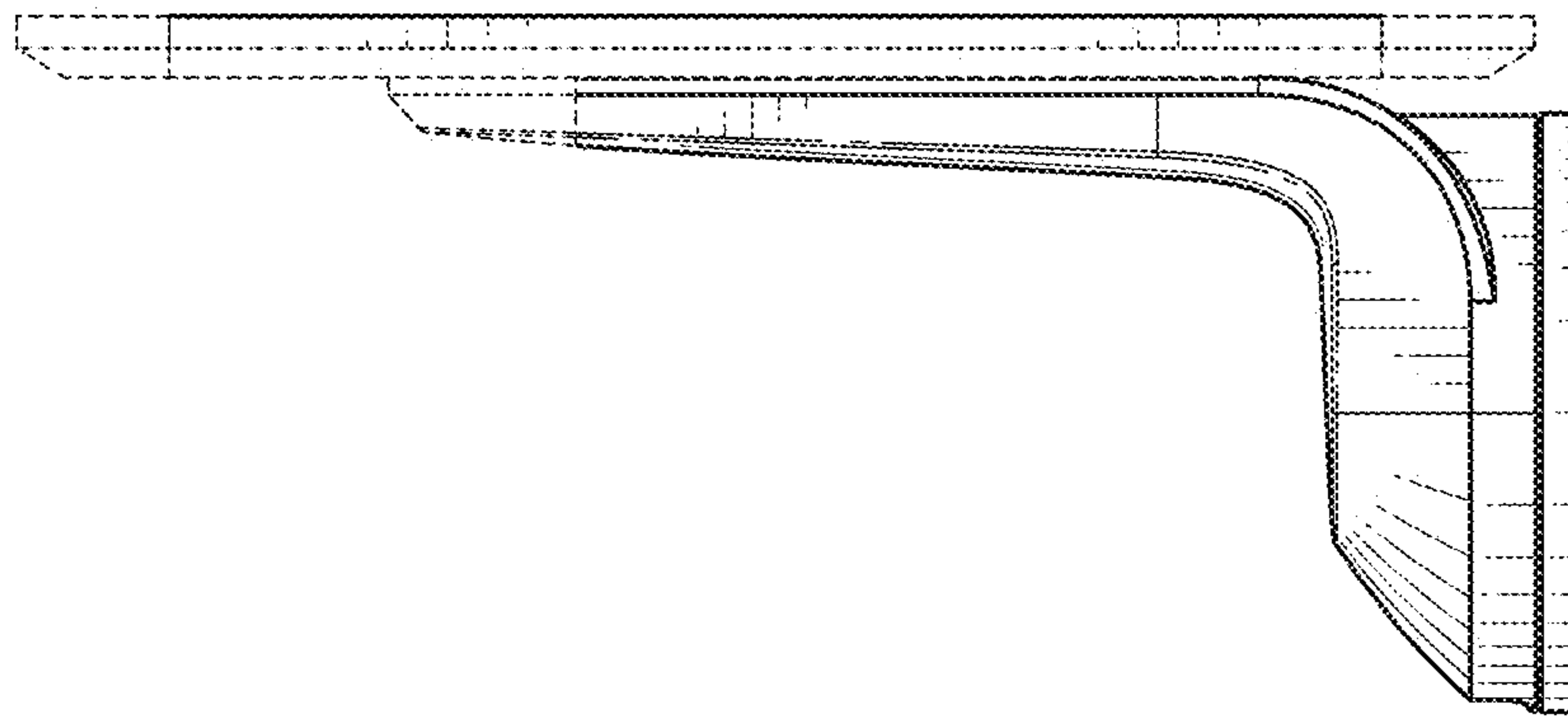


FIG. 3

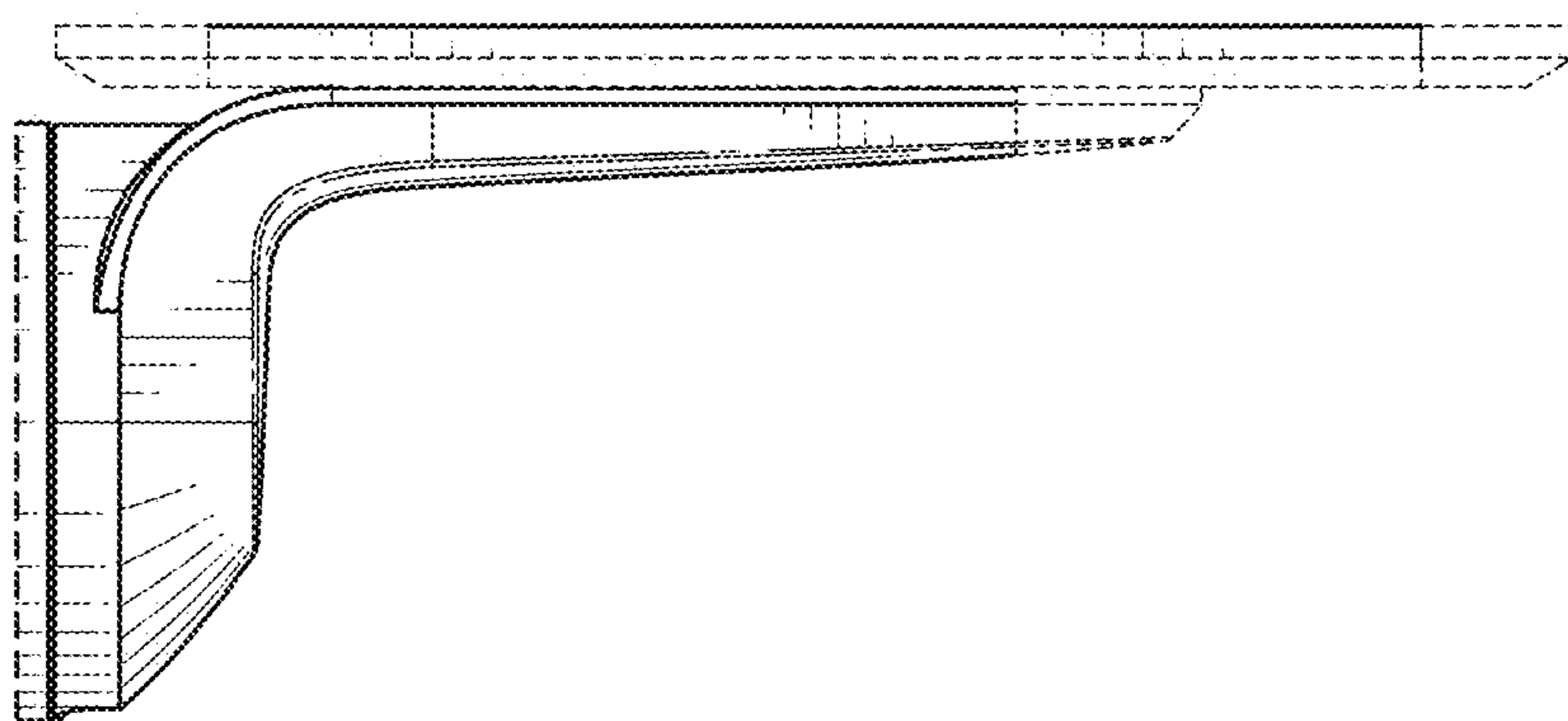


FIG. 4



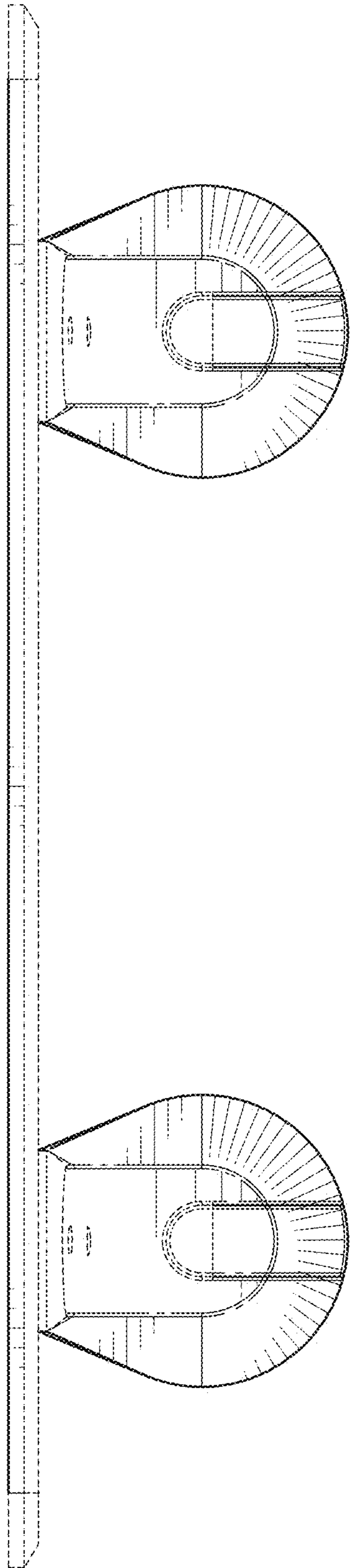


FIG. 5

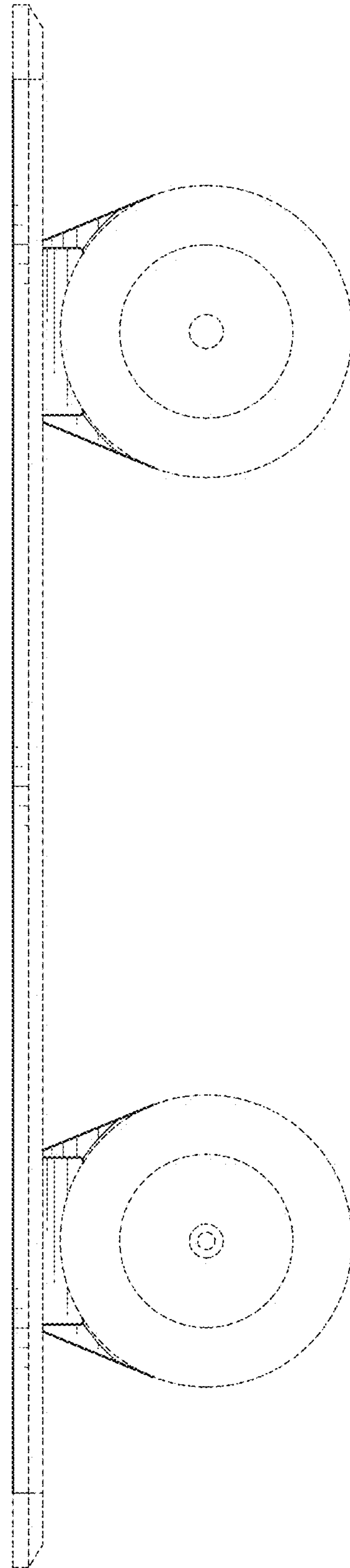


FIG. 6

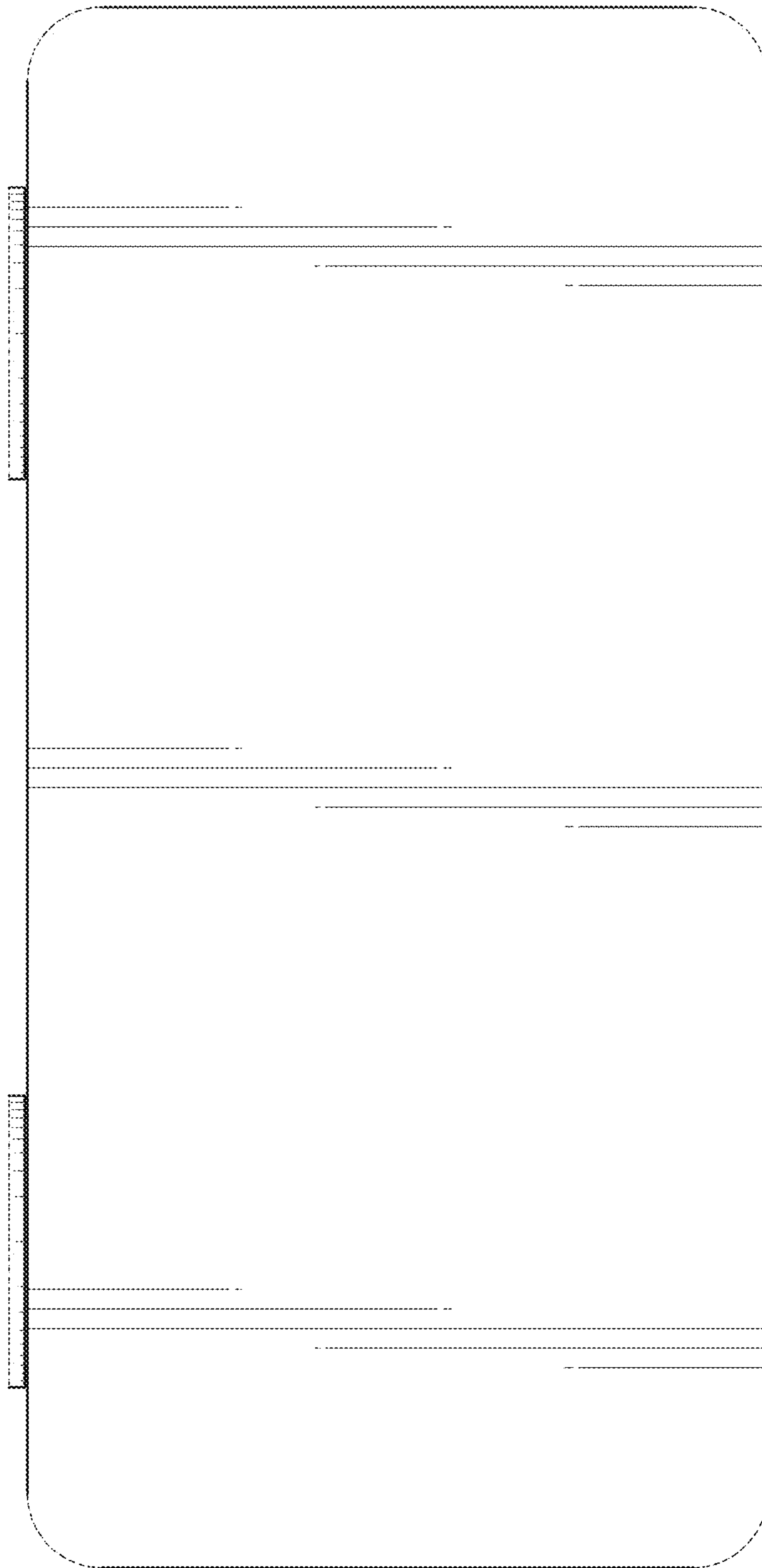


FIG. 7

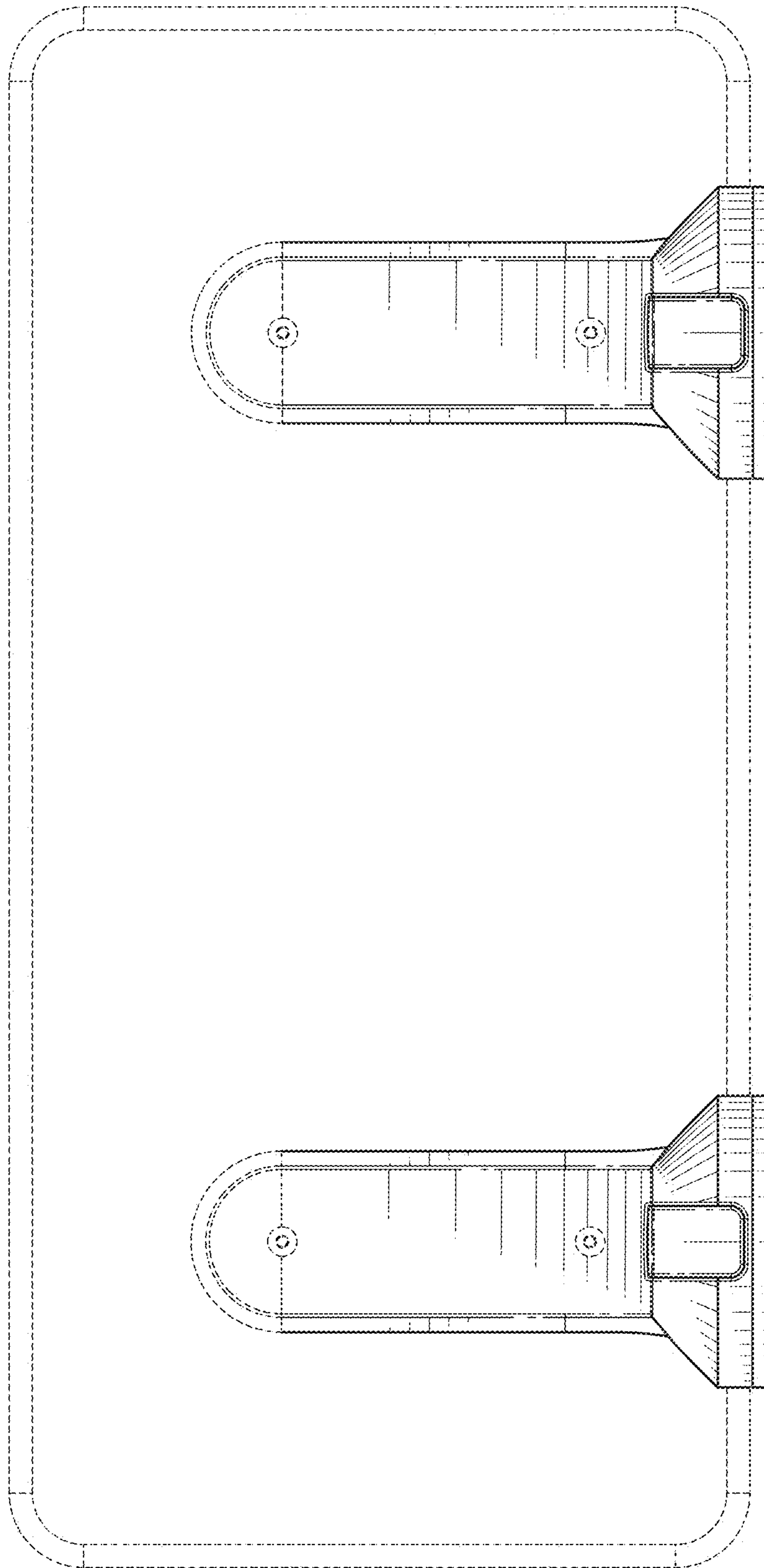


FIG. 8



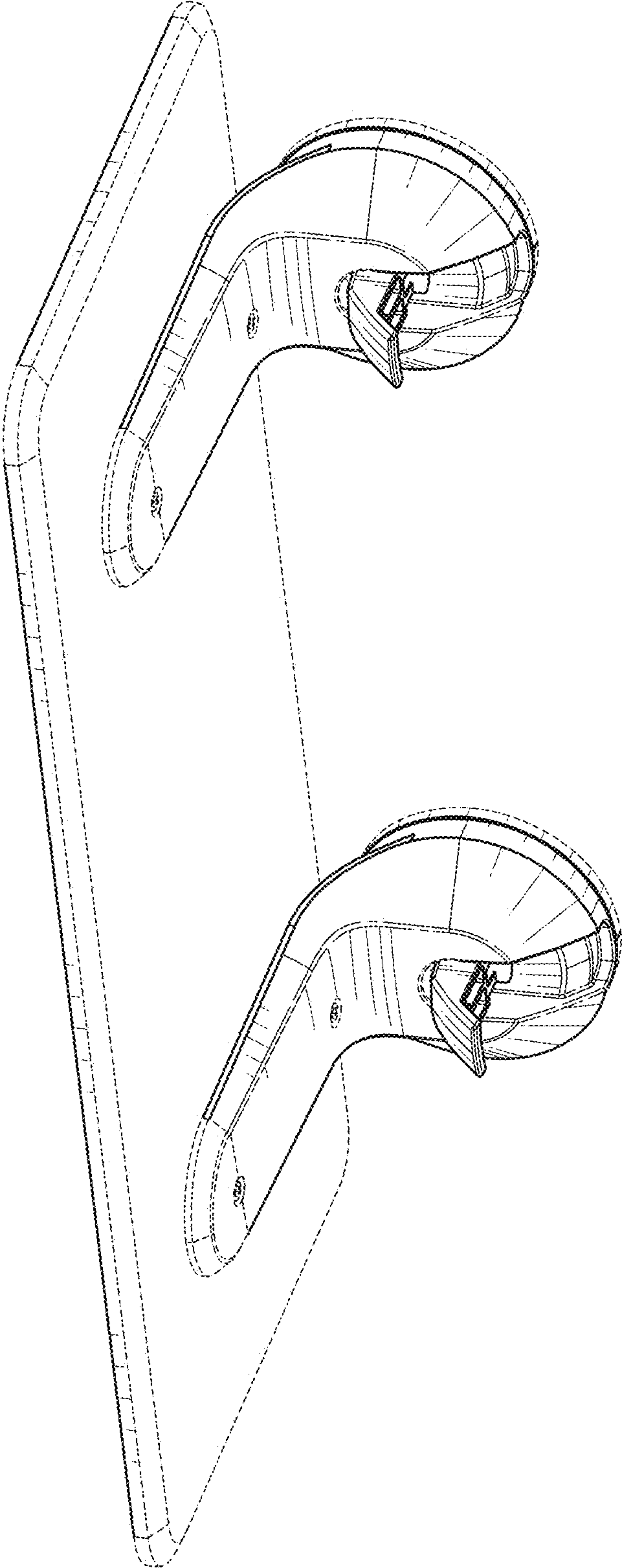


FIG. 9