



US00D877534S

(12) **United States Design Patent**  
**Moore**

(10) **Patent No.:** **US D877,534 S**  
(45) **Date of Patent:** **\*\* \*Mar. 10, 2020**

- (54) **CORNER SHELF**
- (71) Applicant: **Cougar Paw Woodworking, LLC**,  
Loveland, CO (US)
- (72) Inventor: **Jeffrey Jon Moore**, Loveland, CO (US)
- (73) Assignee: **Cougar Paw Woodworking, LLC**,  
Loveland, CO (US)
- (\*) Notice: This patent is subject to a terminal disclaimer.
- (\*\*) Term: **15 Years**

D448,959 S	10/2001	Campos
6,412,423 B1	7/2002	Elizondo, Jr.
D517,347 S	3/2006	Hamilton et al.
D702,410 S	4/2014	Murphy et al.
D710,634 S	8/2014	Kim et al.
D715,078 S	10/2014	Bibeau
D723,294 S	3/2015	O'Hara
D730,094 S	5/2015	Baylar
D732,862 S	6/2015	Lloyd
D744,317 S *	12/2015	Densberger ..... D8/354
D761,600 S *	7/2016	Hsu ..... D6/678.1
D791,871 S	7/2017	Okawa

(Continued)

- (21) Appl. No.: **29/695,506**
- (22) Filed: **Jun. 19, 2019**

**Related U.S. Application Data**

- (63) Continuation of application No. 29/658,351, filed on Jul. 30, 2018.
- (51) **LOC (12) Cl.** ..... **06-06**
- (52) **U.S. Cl.**  
USPC ..... **D6/562**
- (58) **Field of Classification Search**  
USPC ..... D6/672, 675, 678, 678.3, 682, 691,  
D6/691.3, 705, 705.1, 553, 562  
CPC ..... A47F 5/00; A47F 5/0018; A47F 5/0043;  
A47F 2005/0075; A47F 5/08  
See application file for complete search history.

(56) **References Cited**

**U.S. PATENT DOCUMENTS**

1,547,309 A	7/1925	Eastwood
3,965,588 A	6/1976	Long
D272,008 S	12/1983	Flory
D307,222 S	4/1990	Korpijaako et al.
D362,357 S	9/1995	Shinno
D395,135 S *	6/1998	Joss ..... D23/304
D424,330 S	5/2000	DeWitt

**OTHER PUBLICATIONS**

Design U.S. Appl. No. 29/658,351, filed Jul. 30, 2018.

*Primary Examiner* — Kelley A Donnelly  
(74) *Attorney, Agent, or Firm* — Craig R. Miles; CR Miles P.C.

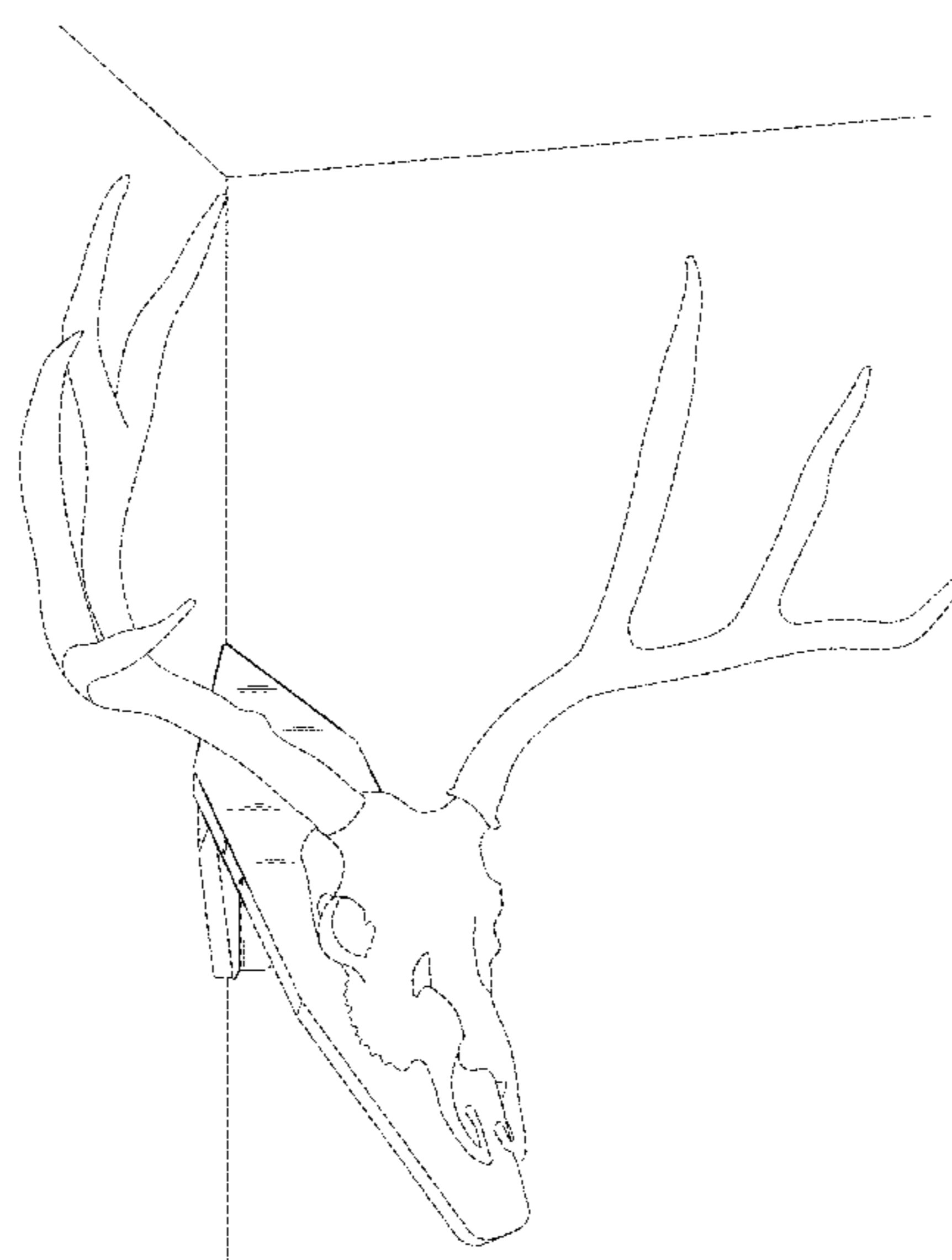
(57) **CLAIM**

The ornamental design for a corner shelf, as shown and described.

**DESCRIPTION**

FIG. 1 is a top and left side perspective view of a corner shelf showing my new design in an environment of use;  
 FIG. 2 is a top and left side perspective view of a corner shelf showing my new design;  
 FIG. 3 is a bottom and right side perspective view thereof;  
 FIG. 4 is a front elevation view thereof;  
 FIG. 5 is a back side elevation view thereof;  
 FIG. 6 is a left side elevation view thereof;  
 FIG. 7 is a right side elevation view thereof;  
 FIG. 8 is a top plan view thereof; and,  
 FIG. 9 is a bottom plan view thereof.  
 The broken lines shown are included for the purpose of illustrating the unclaimed portions of the article and form no part of the claim.

**1 Claim, 7 Drawing Sheets**



(56)

**References Cited**

U.S. PATENT DOCUMENTS

D800,478	S *	10/2017	Eads .....	D6/562
D819,362	S *	6/2018	Tee .....	D6/562
D845,684	S	4/2019	Spielmann	
2002/0017499	A1 *	2/2002	Bengoechea .....	A47B 96/022 211/90.01
2008/0224004	A1 *	9/2008	Gallien .....	A47B 96/022 248/220.1
2009/0121103	A1 *	5/2009	Wiese .....	A47B 49/00 248/220.1
2014/0197119	A1 *	7/2014	Stenhouse .....	A47B 96/022 211/26
2016/0095437	A1 *	4/2016	Crandall .....	A47B 96/022 211/90.01
2017/0119155	A1 *	5/2017	Beranek .....	A47B 96/02

\* cited by examiner

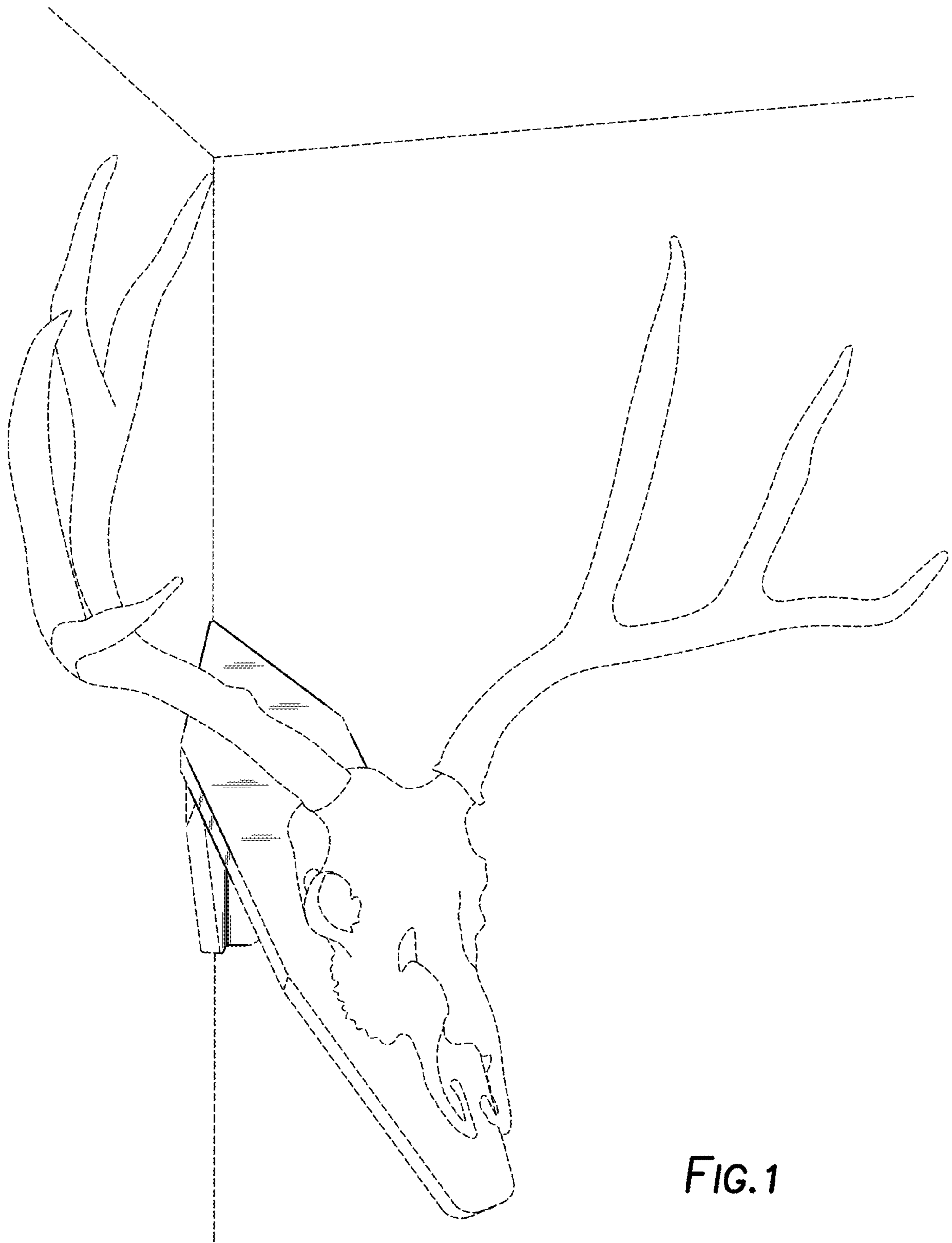


FIG. 1

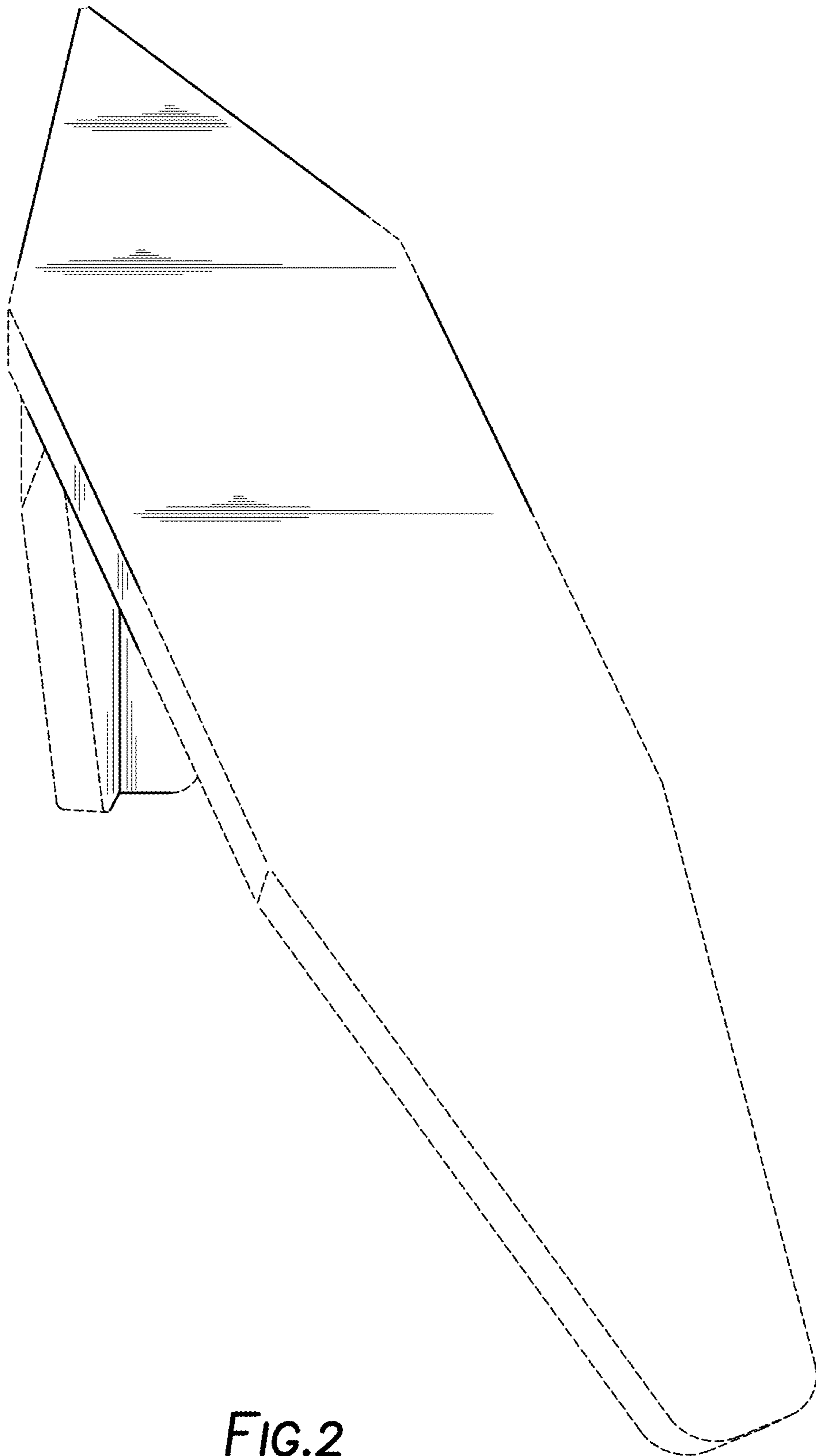


FIG.2

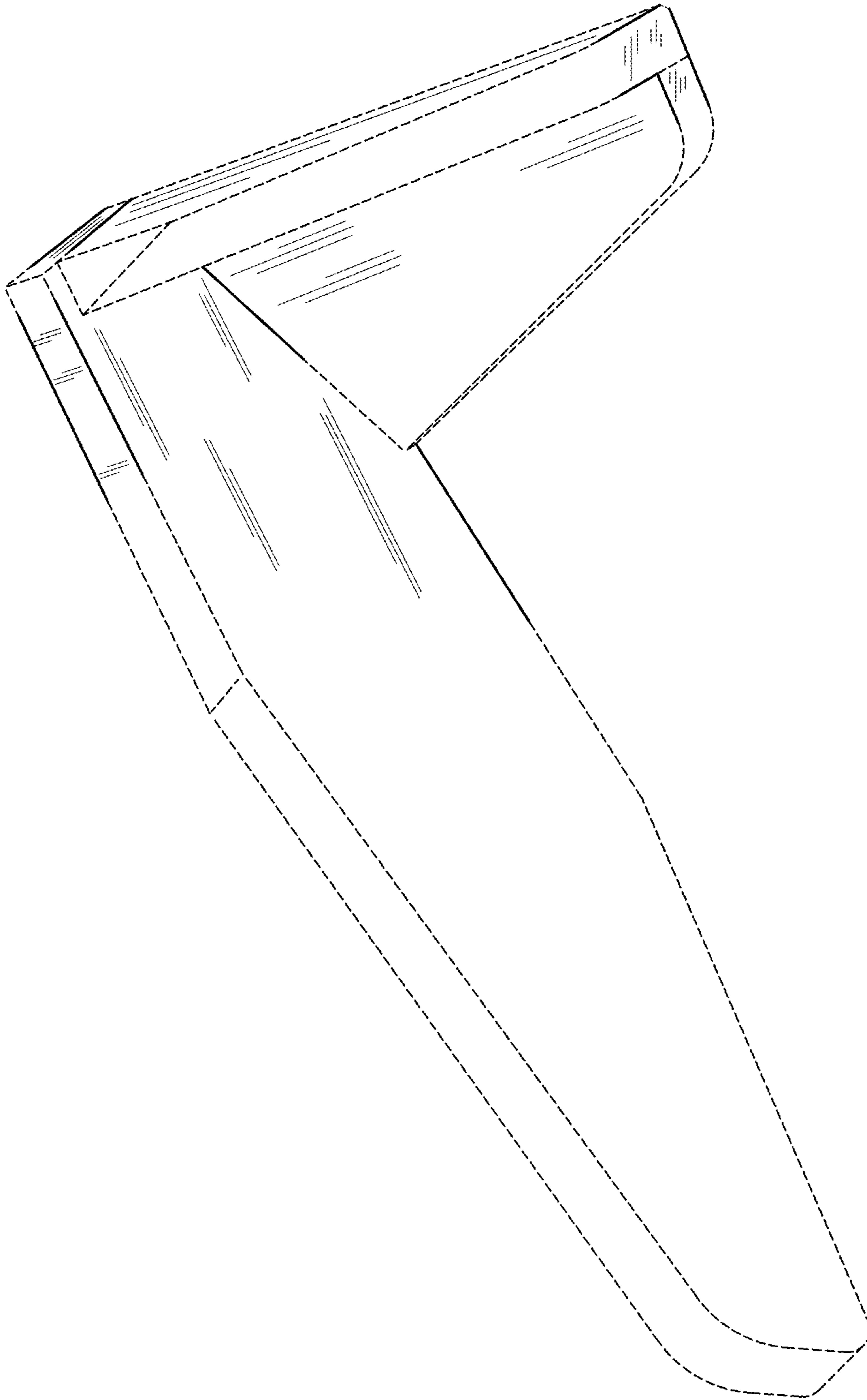


FIG.3

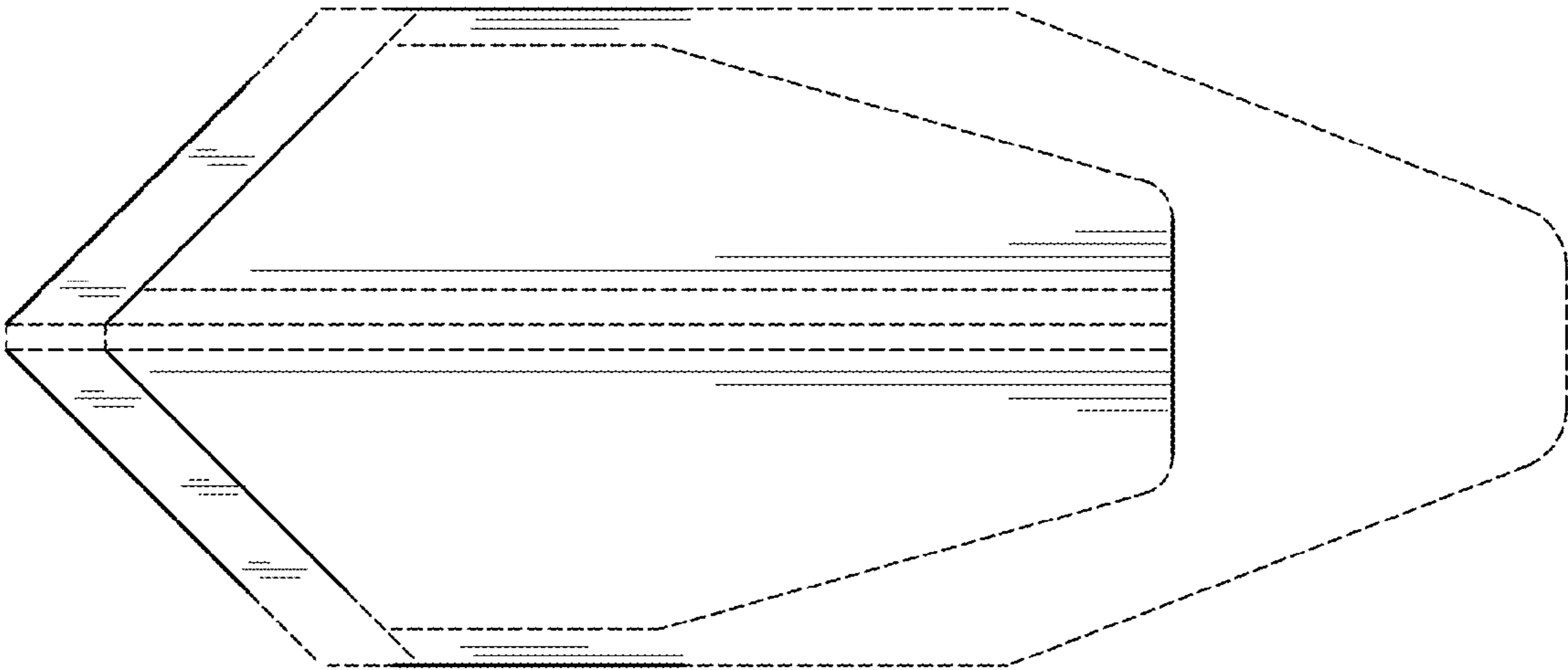


FIG. 4

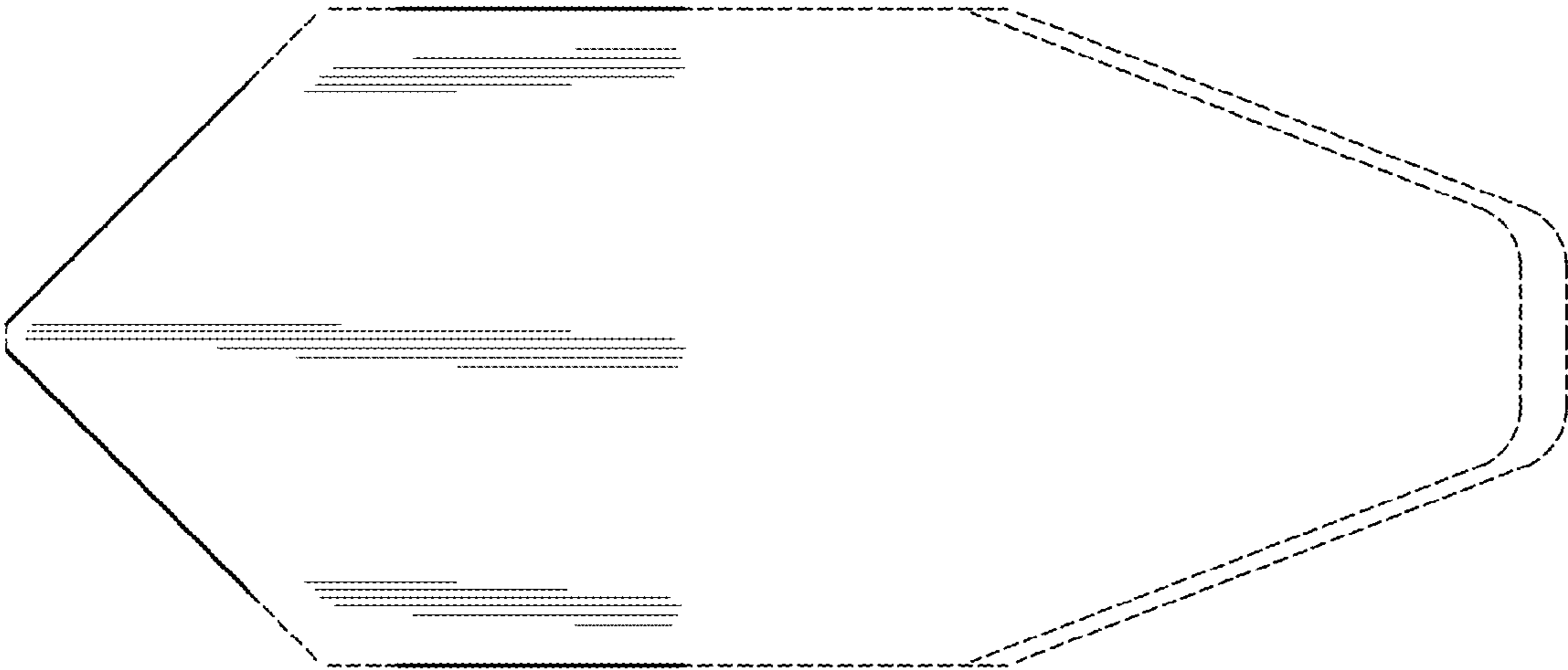


FIG. 5

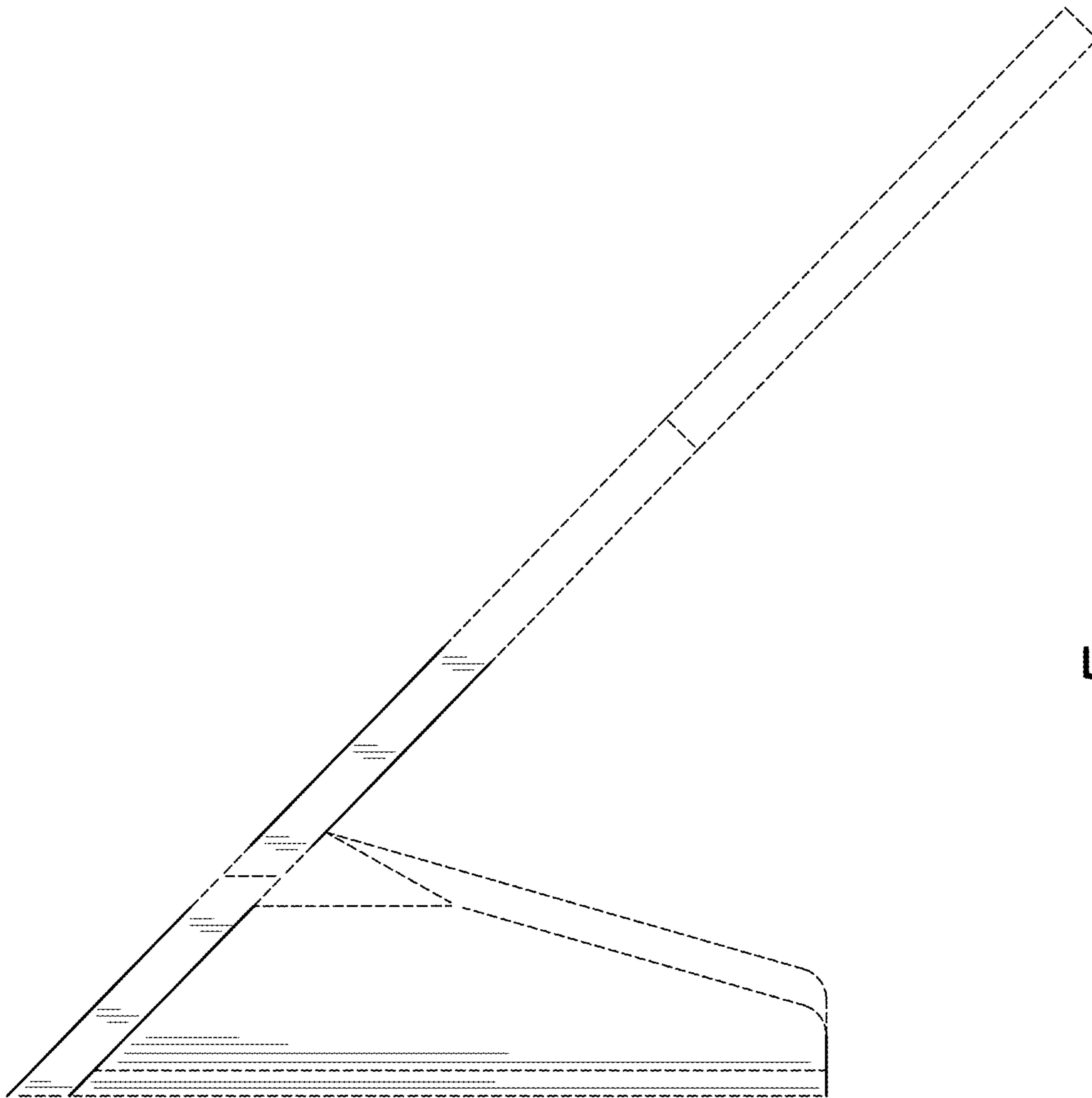


FIG. 6



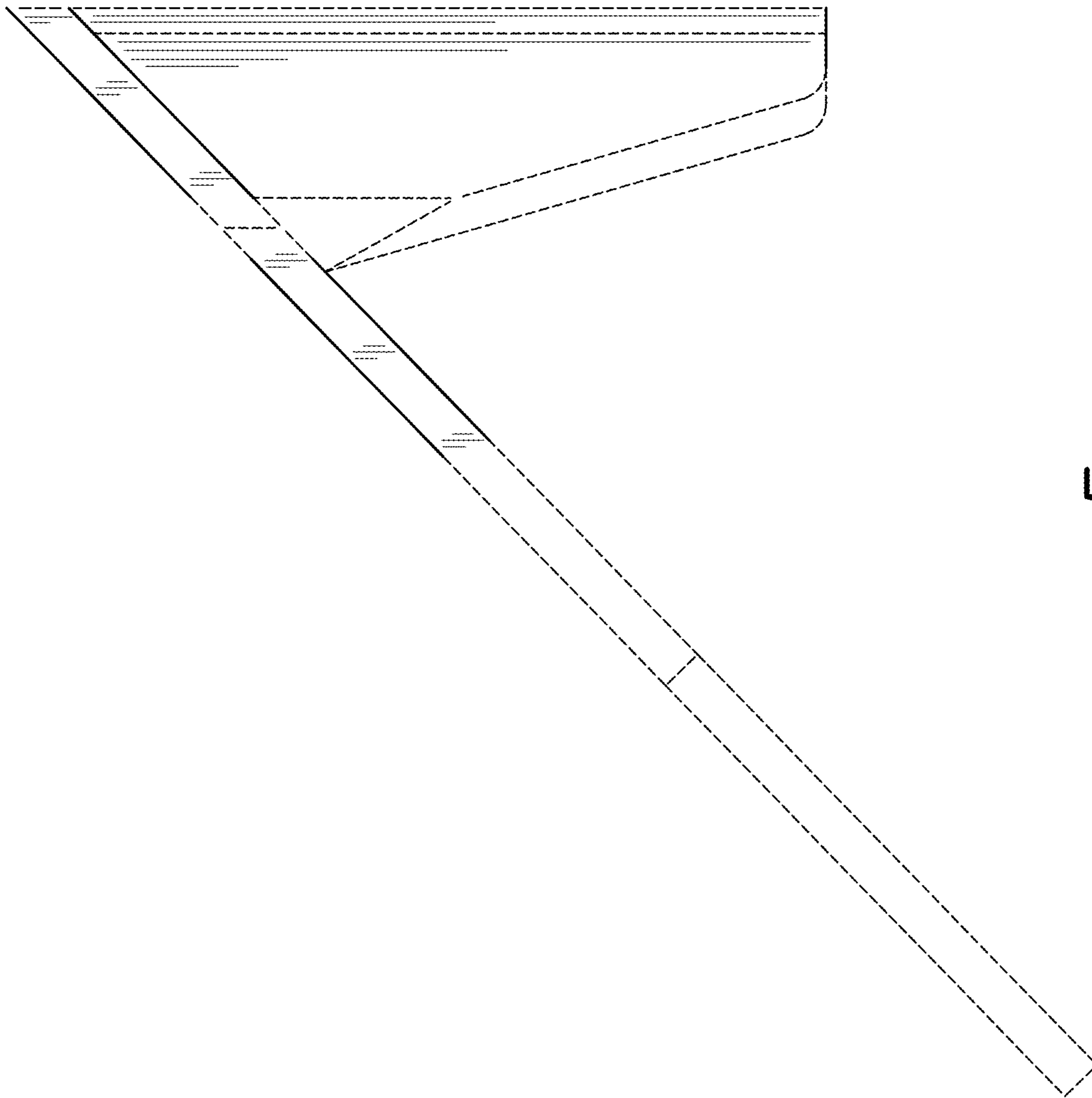


FIG.7



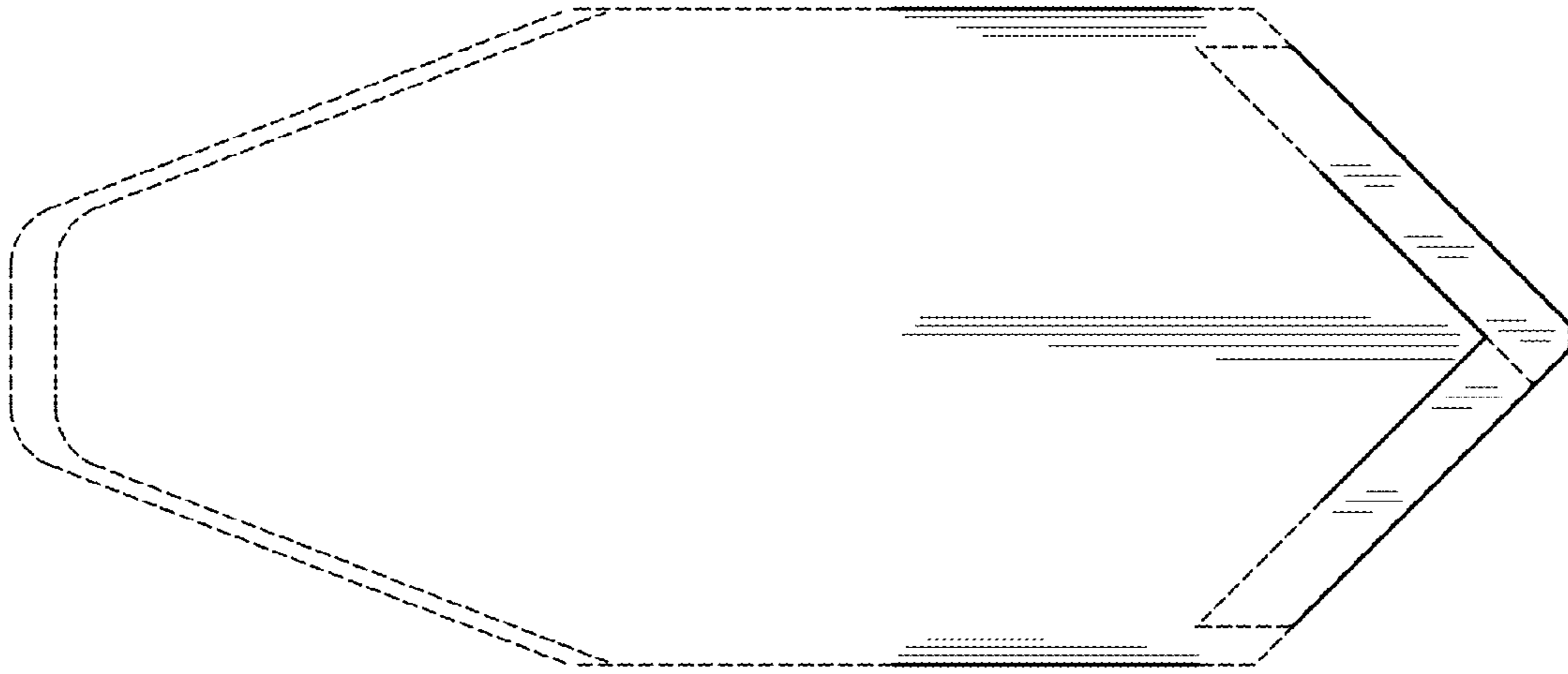


FIG. 8

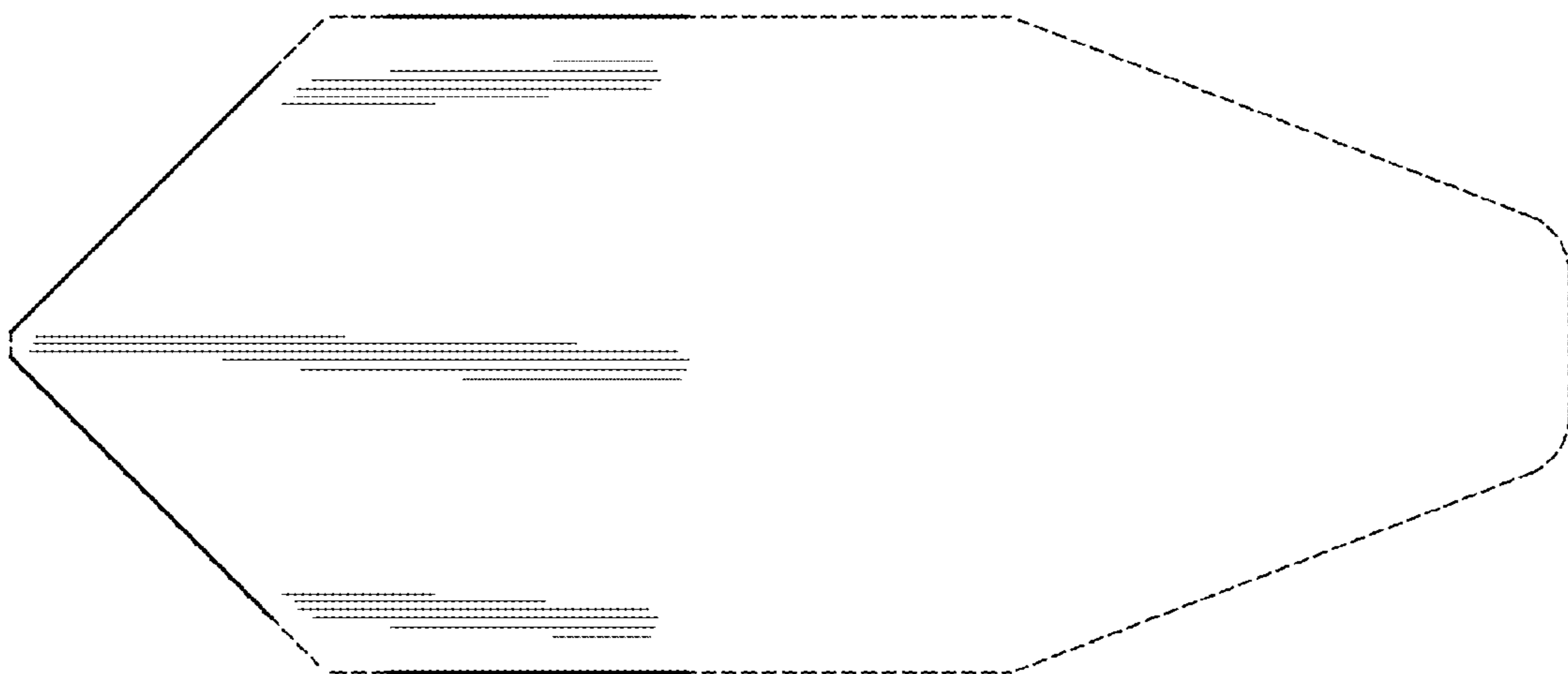


FIG. 9