



US00D877533S

(12) **United States Design Patent**
Appelbaum et al.

(10) **Patent No.:** **US D877,533 S**
(45) **Date of Patent:** **** Mar. 10, 2020**

- (54) **SHOWER ORGANIZER**
- (71) Applicants: **Alaina Appelbaum**, Brooklyn, NY
(US); **Neil Kwiatkowski**, Queens, NY
(US); **Mauricio Issa**, Woodside, NY
(US); **Terah Coleman**, Brooklyn, NY
(US)
- (72) Inventors: **Alaina Appelbaum**, Brooklyn, NY
(US); **Neil Kwiatkowski**, Queens, NY
(US); **Mauricio Issa**, Woodside, NY
(US); **Terah Coleman**, Brooklyn, NY
(US)
- (73) Assignee: **HELEN OF TROY LIMITED**, St.
Michael (BB)
- (**) Term: **15 Years**
- (21) Appl. No.: **29/632,535**
- (22) Filed: **Jan. 8, 2018**
- (51) **LOC (12) Cl.** **06-04**
- (52) **U.S. Cl.**
USPC **D6/562; D6/566**
- (58) **Field of Classification Search**
USPC D6/524-525, 566, 536, 540, 567, 570,
D6/562; 211/13.1, 74, 71.01, 86.01, 75,
211/88.01, 90.01, 90.03, 106, 119, 126.1,
211/133.5, 181.1, 134
CPC A47B 81/00; A47B 45/00; A47B 57/00;
A47B 57/26; A47B 96/02; B65D 21/086;
B65D 25/04
See application file for complete search history.

(56) **References Cited**

U.S. PATENT DOCUMENTS

- D388,642 S * 1/1998 Winter D6/525
- D421,692 S * 3/2000 Wojtowicz D6/525
- D421,867 S * 3/2000 Carville D6/525

- D429,934 S * 8/2000 Hofman D6/525
- D443,162 S * 6/2001 Winter D6/525
- D462,552 S * 9/2002 Emery D6/525
- D475,560 S * 6/2003 Suero, Jr. A47K 3/281
D6/525
- D485,104 S * 1/2004 Suero, Jr. A47K 3/281
D6/525
- 6,688,238 B1 * 2/2004 Alexiou A47K 3/281
108/42
- D543,747 S * 6/2007 Harwanko D6/525
- D566,991 S * 4/2008 Harwanko D6/525
- D569,148 S * 5/2008 Yang D6/525
- D572,502 S * 7/2008 Yang D6/525
- D573,386 S * 7/2008 Clucas D6/525
- D573,387 S * 7/2008 Walker D6/525
- D635,807 S * 4/2011 Lindo D6/525
- D641,193 S * 7/2011 Vaccaro D6/525
- D641,194 S * 7/2011 Vaccaro D6/525
- D651,838 S * 1/2012 Yang D6/525

(Continued)

Primary Examiner — Nathan M Johnston

(57) **CLAIM**

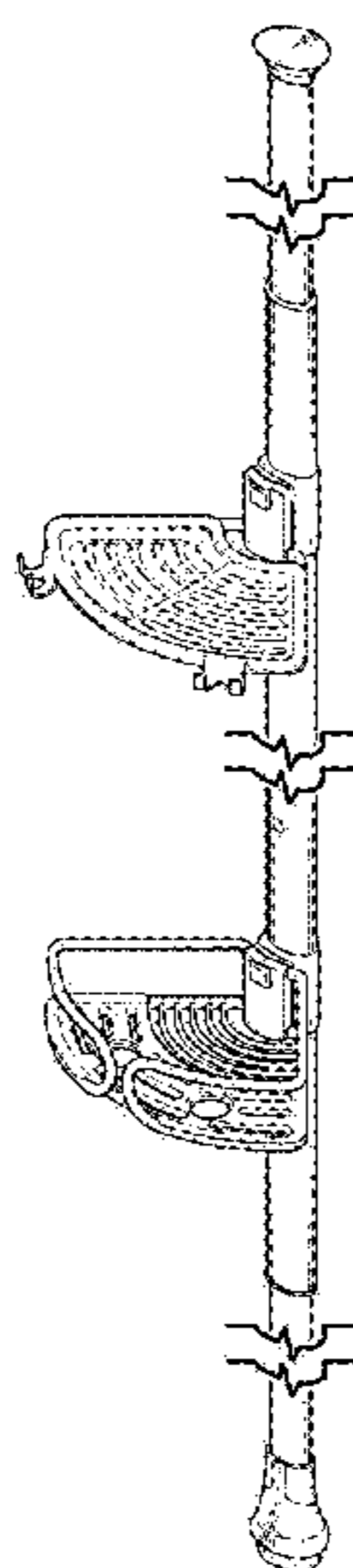
The ornamental design for a shower organizer, as shown, and described.

DESCRIPTION

FIG. 1 is a top perspective view of a shower organizer showing our new design;
 FIG. 2 is a bottom perspective view thereof;
 FIG. 3 is a front elevation view thereof;
 FIG. 4 is a rear elevation view thereof;
 FIG. 5 is a right side elevation view thereof (with the left a mirror image thereof);
 FIG. 6 is a top plan view thereof; and,
 FIG. 7 is bottom plan view thereof.

The broken lines show portions of the design that form no part of the claimed design. The shower organizer is shown with symbolic breaks in its length. The appearance of any portion of the article between the break lines forms no part of the claimed design.

1 Claim, 7 Drawing Sheets



(56)

References Cited

U.S. PATENT DOCUMENTS

| | | | |
|-------------------|---------|-----------------|-------------|
| D688,064 S * | 8/2013 | Couture | D6/562 |
| 2010/0237032 A1 * | 9/2010 | Whitehall | A47B 57/26 |
| | | | 211/107 |
| 2012/0217215 A1 * | 8/2012 | Emery | A47K 3/281 |
| | | | 211/119.009 |
| 2013/0313212 A1 * | 11/2013 | Lindo | A47K 3/281 |
| | | | 211/119.011 |
| 2013/0334156 A1 * | 12/2013 | Baines | A47B 55/00 |
| | | | 211/134 |
| 2014/0263124 A1 * | 9/2014 | Tesdal | A47K 3/281 |
| | | | 211/134 |
| 2017/0055780 A1 * | 3/2017 | Jepson | A47K 3/281 |

* cited by examiner

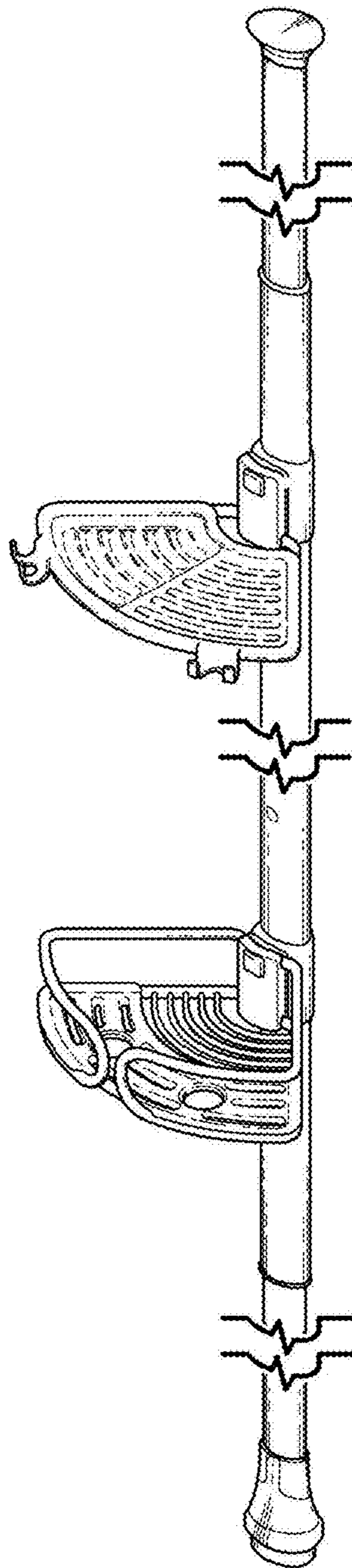


FIG. 1

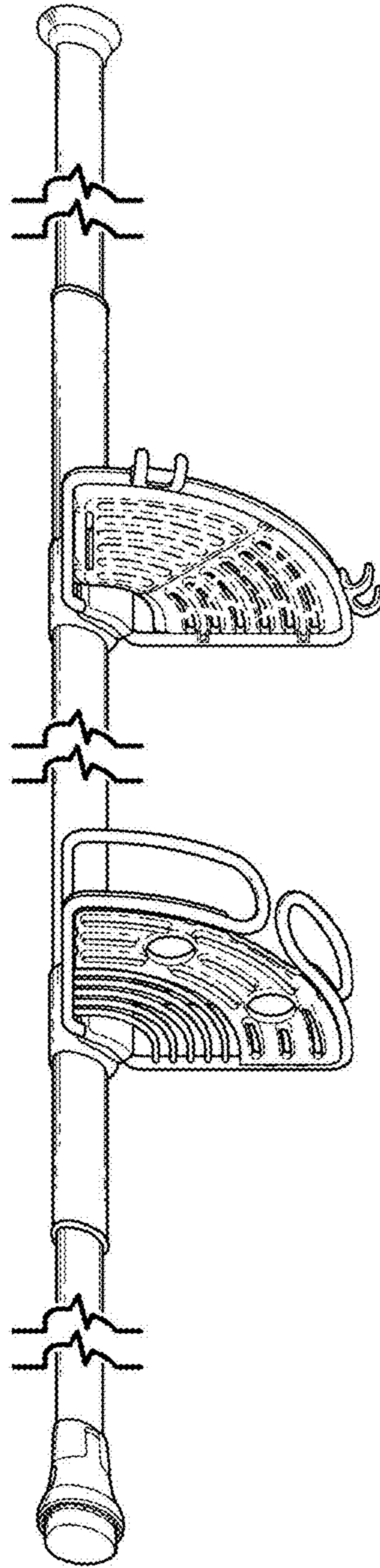


FIG. 2

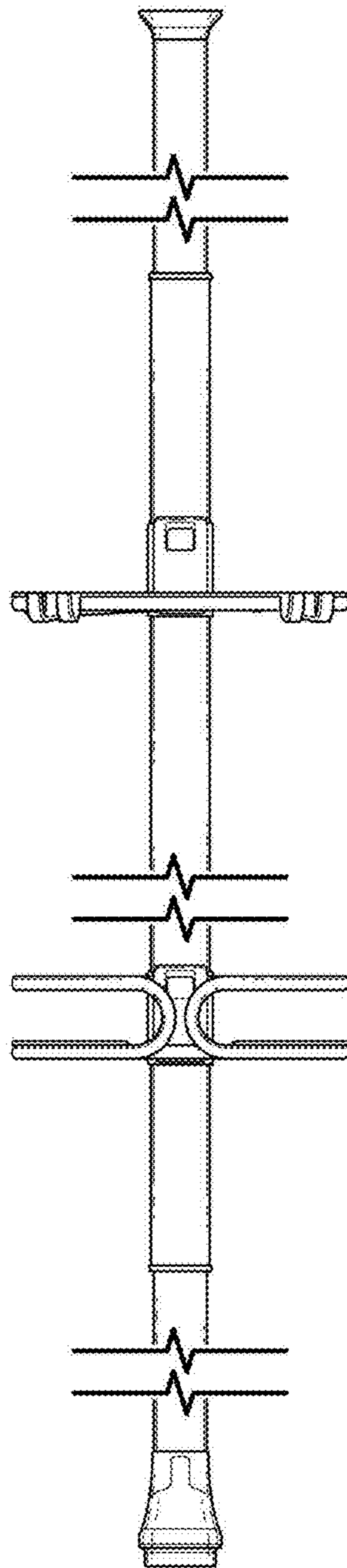


FIG. 3

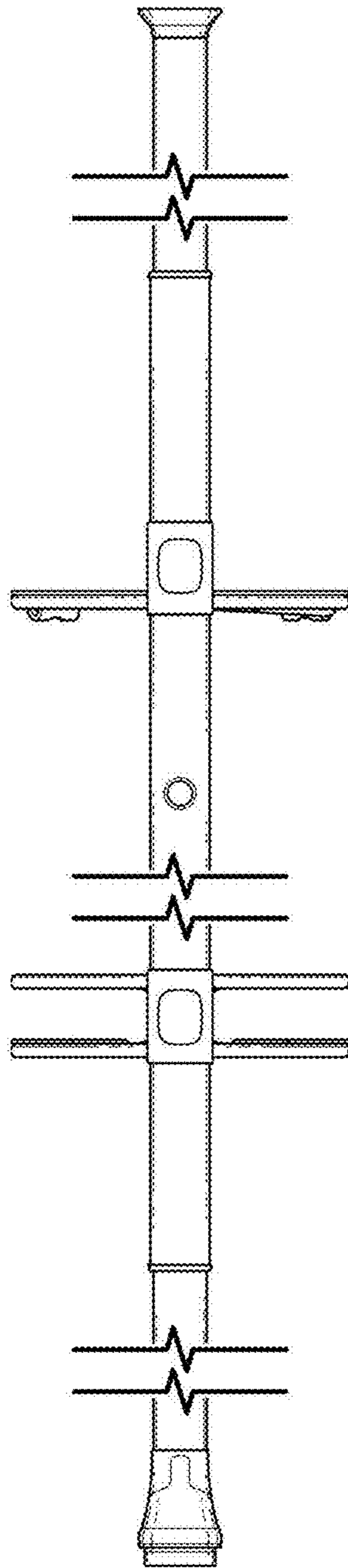


FIG. 4

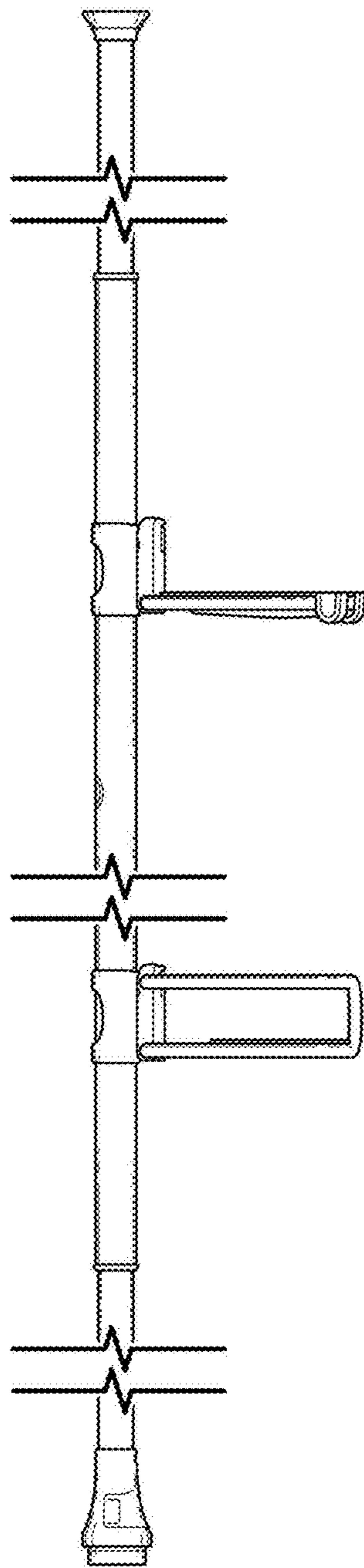


FIG. 5

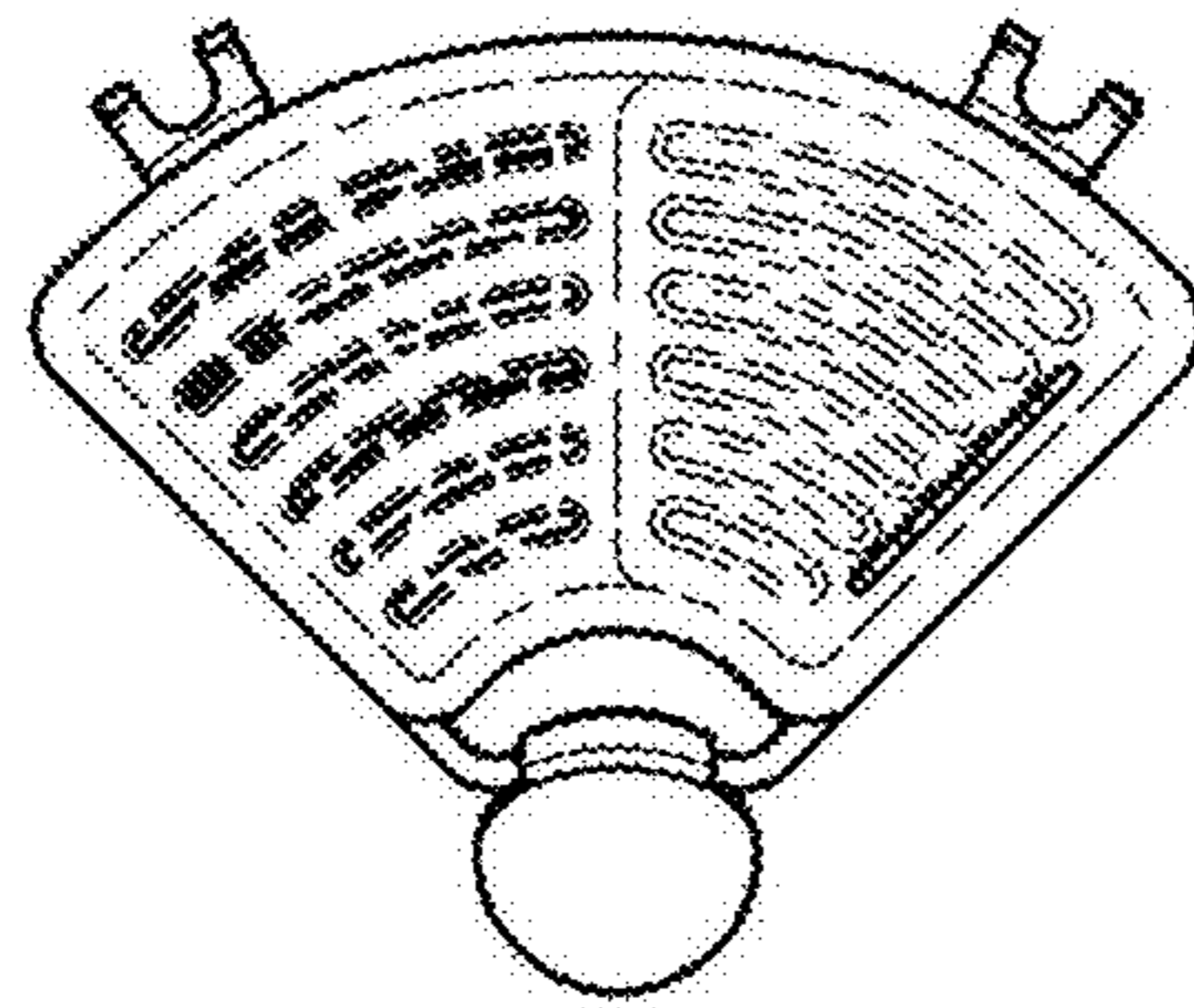


FIG. 6

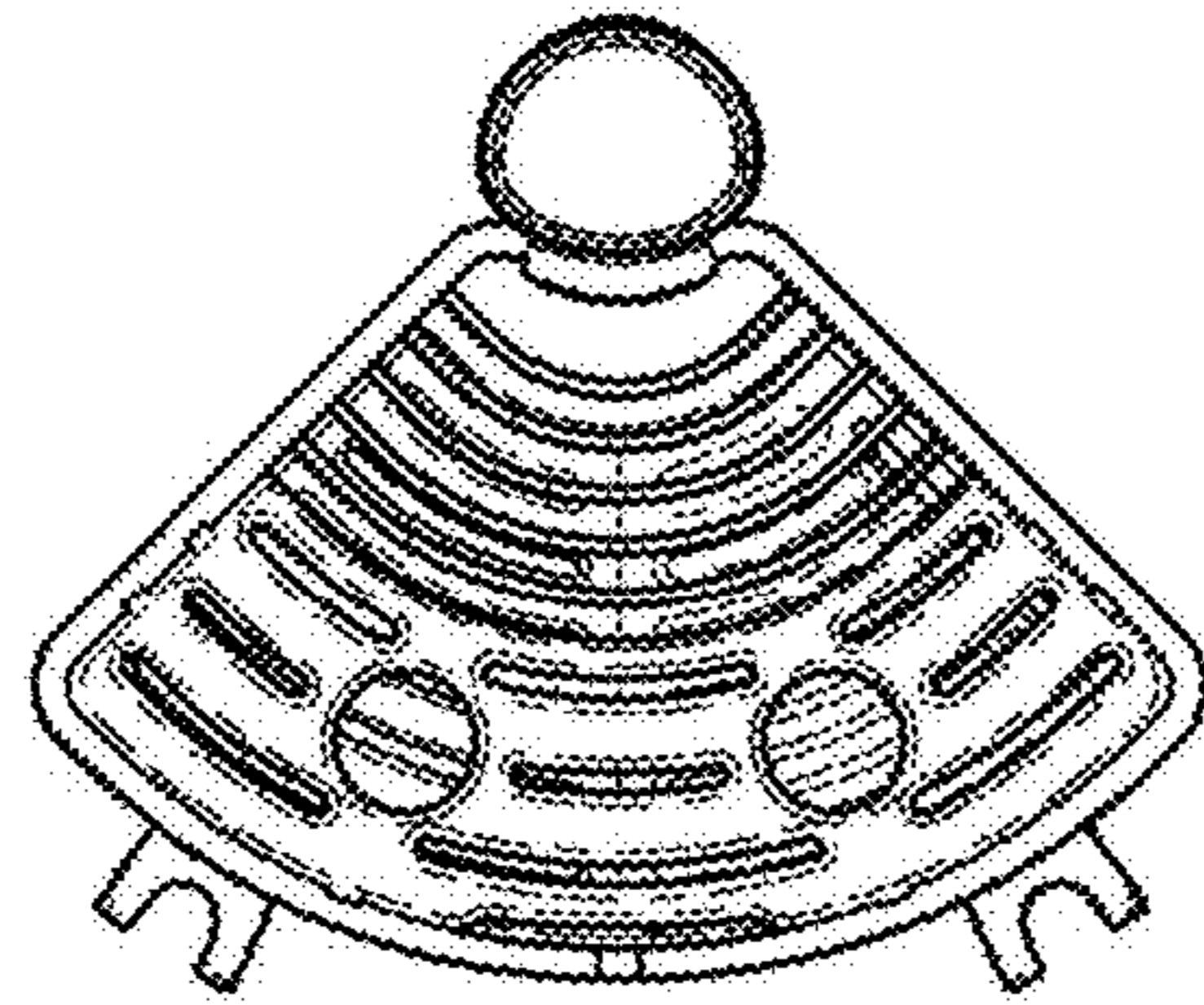


FIG. 7