



US00D877532S

(12) **United States Design Patent**  
**Tsao**

(10) **Patent No.:** **US D877,532 S**  
(45) **Date of Patent:** **\*\* Mar. 10, 2020**

- (54) **BALL STORAGE RACK**
- (71) Applicant: **Hsien-Yang Tsao**, Taichung (TW)
- (72) Inventor: **Hsien-Yang Tsao**, Taichung (TW)
- (\*\*) Term: **15 Years**
- (21) Appl. No.: **29/621,861**
- (22) Filed: **Oct. 12, 2017**
- (51) **LOC (12) Cl.** ..... **08-08**
- (52) **U.S. Cl.**  
USPC ..... **D6/552**; D21/715
- (58) **Field of Classification Search**  
USPC ..... D21/715–721, 759, 789–796; D3/215,  
D3/221, 224, 229, 254, 257, 258, 269,  
D3/904; D8/71–73, 349, 354, 367,  
D8/371–373, 394, 395; D6/512, 513,  
D6/524–575; D28/38, 73; D12/406, 407,  
D12/411, 415, 416, 417, 418, 420;  
D14/432, 434, 447, 451, 453, 454, 511,  
D14/140.9, 142, 192, 217, 224, 224.1,  
D14/229, 238, 251, 253; D10/103;  
D22/108–110; D24/128, 184; 211/14;  
224/919, 269; 248/309.1, 316.7, 316.8,  
248/74.1, 74.2, 313, 314, 315; 294/19.2;  
473/386, 286, 131–132, 460, 517, 569;  
206/315.1, 315.5, 315.9  
CPC ..... A63B 47/00; A63B 47/001; A63B 47/002;  
A63B 47/02; A63B 47/04; A63B  
2047/004; A63B 57/20; A63B 57/203;  
A63B 57/207; A63B 57/408; A63B  
71/0036; A63B 55/20  
See application file for complete search history.

(56) **References Cited**  
U.S. PATENT DOCUMENTS

- D230,675 S \* 3/1974 Wilkins ..... D6/526
- D240,059 S \* 5/1976 Lewis, Jr. .... D3/221

- D245,053 S \* 7/1977 Domansky ..... D6/552
- 4,072,256 A \* 2/1978 Young ..... A63B 47/001  
224/247
- D260,919 S \* 9/1981 DeLuca ..... D3/221
- 4,696,447 A \* 9/1987 Strecker ..... A45D 20/12  
248/206.3
- D333,214 S \* 2/1993 Stewart, Jr. .... D3/221
- D431,137 S \* 9/2000 McBarnette ..... D6/513
- 6,454,105 B1 \* 9/2002 Medina ..... A63B 71/0045  
211/14
- D464,836 S \* 10/2002 Barrera ..... D6/552
- D531,489 S \* 11/2006 Concari ..... D8/373
- D532,197 S \* 11/2006 Niksich ..... D3/221
- 7,207,446 B1 \* 4/2007 Boston ..... A47F 7/00  
211/14
- D547,582 S \* 7/2007 Lukan ..... D6/526
- D647,341 S \* 10/2011 Micinilio ..... D6/526
- D711,644 S \* 8/2014 Leach ..... D3/257
- D823,615 S \* 7/2018 Drew ..... D6/552
- 2006/0124562 A1 \* 6/2006 Simonetta Kurcheski .....  
A63B 47/00  
211/14

\* cited by examiner

*Primary Examiner* — Catherine A Tuttle  
(74) *Attorney, Agent, or Firm* — Leong C. Lei

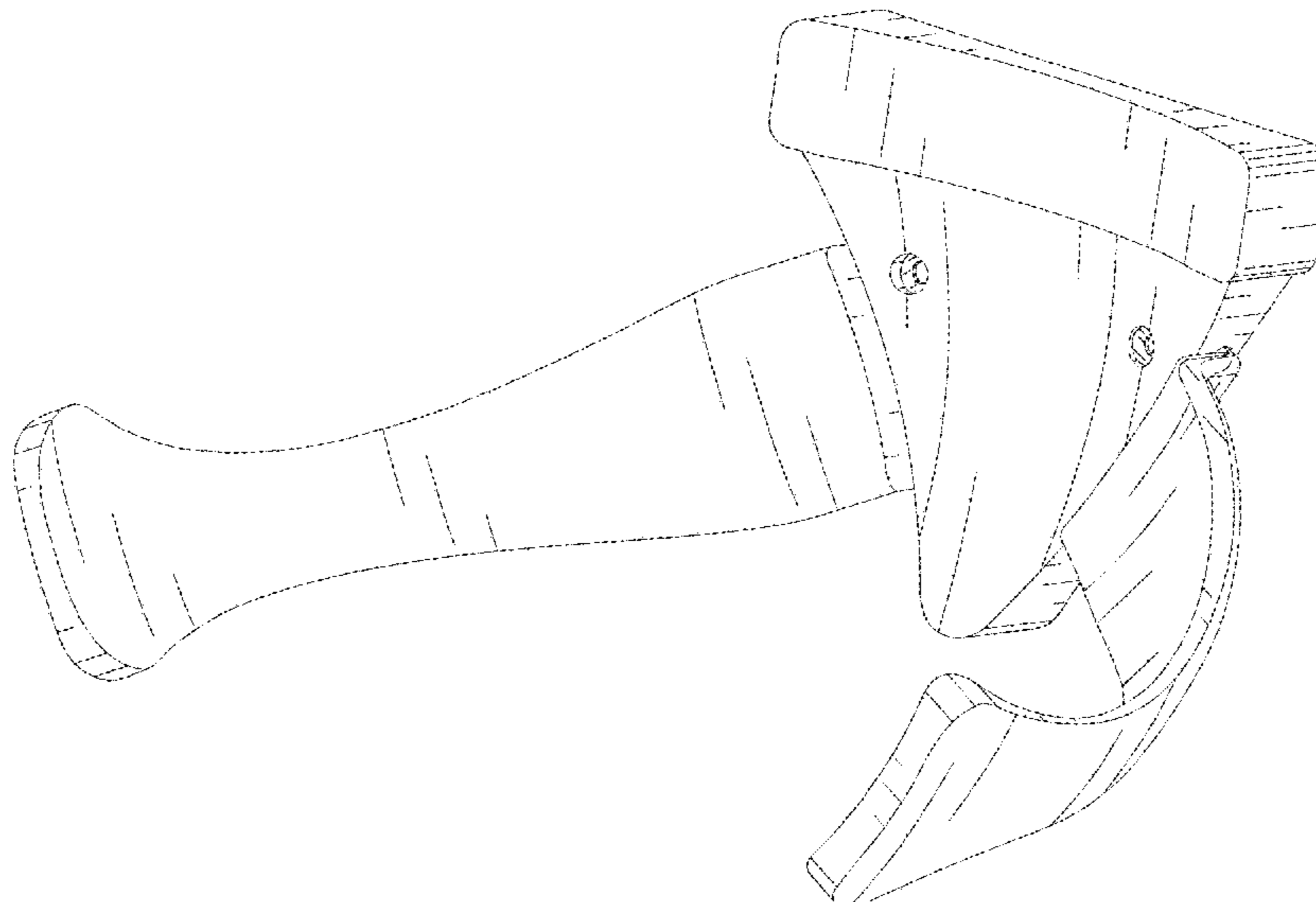
(57) **CLAIM**

The ornamental design for a ball storage rack, as shown and described.

**DESCRIPTION**

- FIG. 1 is a perspective view of ball storage rack showing my new design;
- FIG. 2 is a front view thereof;
- FIG. 3 is a rear view thereof;
- FIG. 4 is a left side view thereof;
- FIG. 5 is a right side view thereof;
- FIG. 6 is a top view thereof;
- FIG. 7 is a bottom view thereof; and,
- FIG. 8 is a rear perspective view thereof.

**1 Claim, 8 Drawing Sheets**



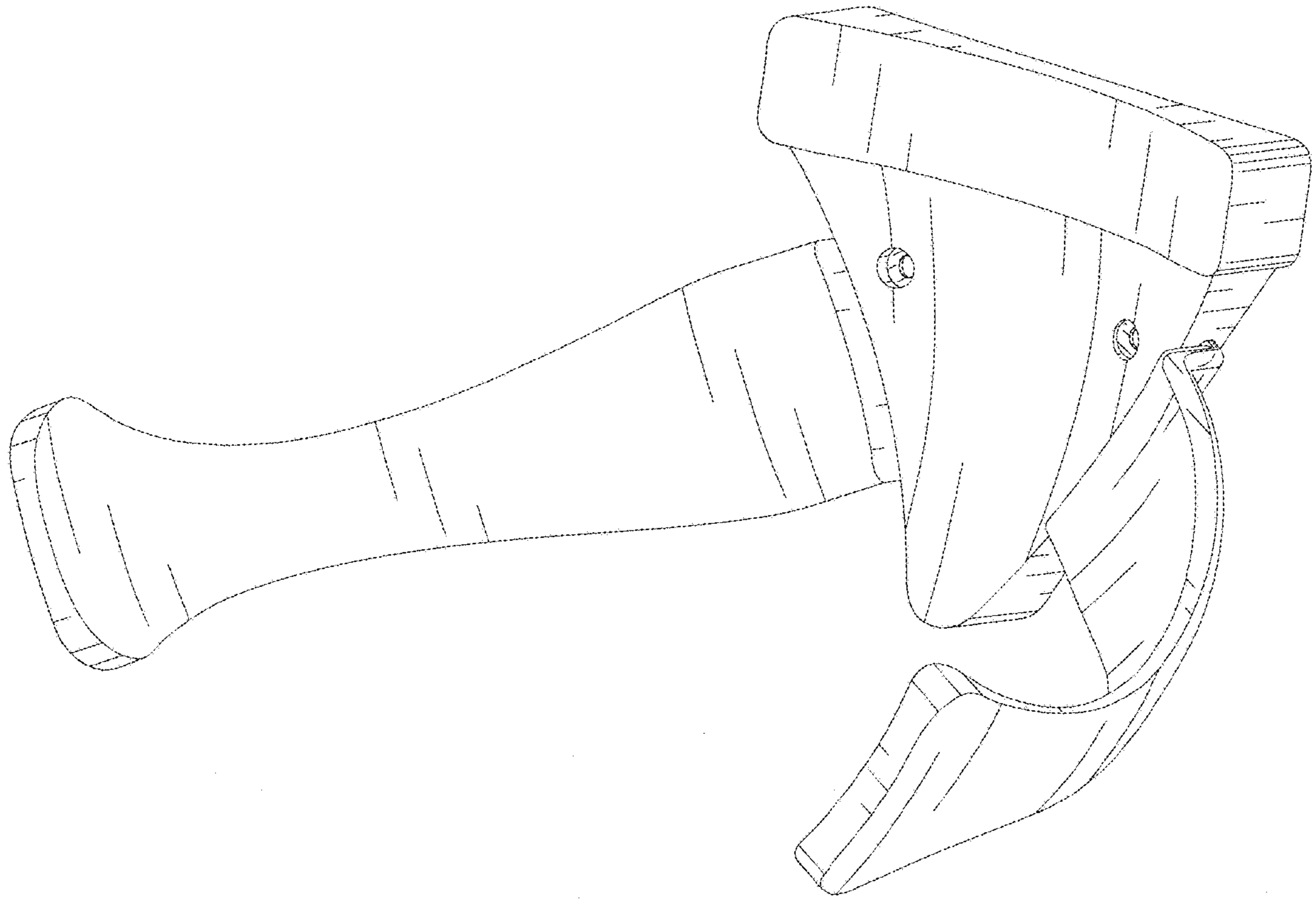


FIG. 1

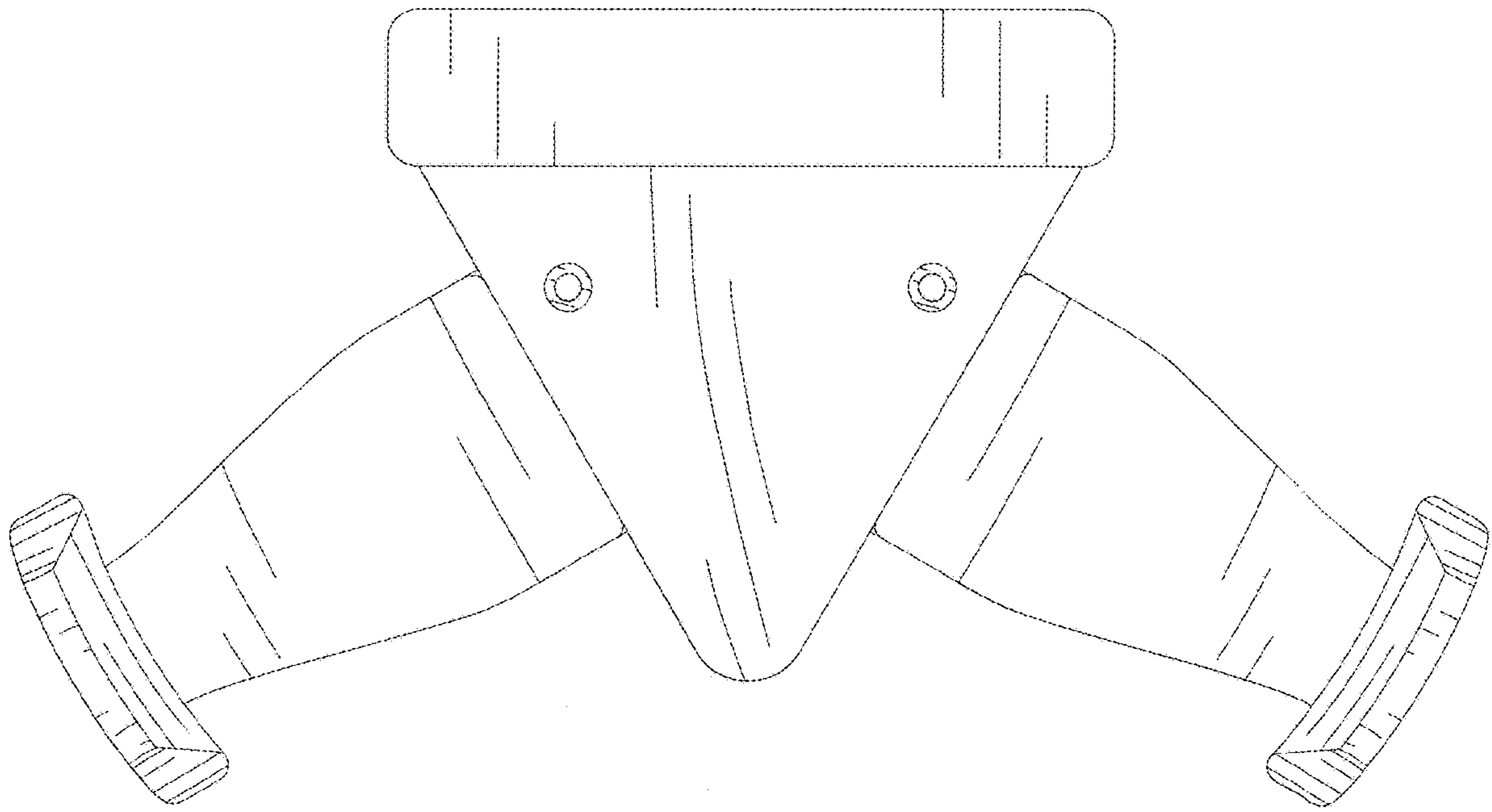


FIG. 2

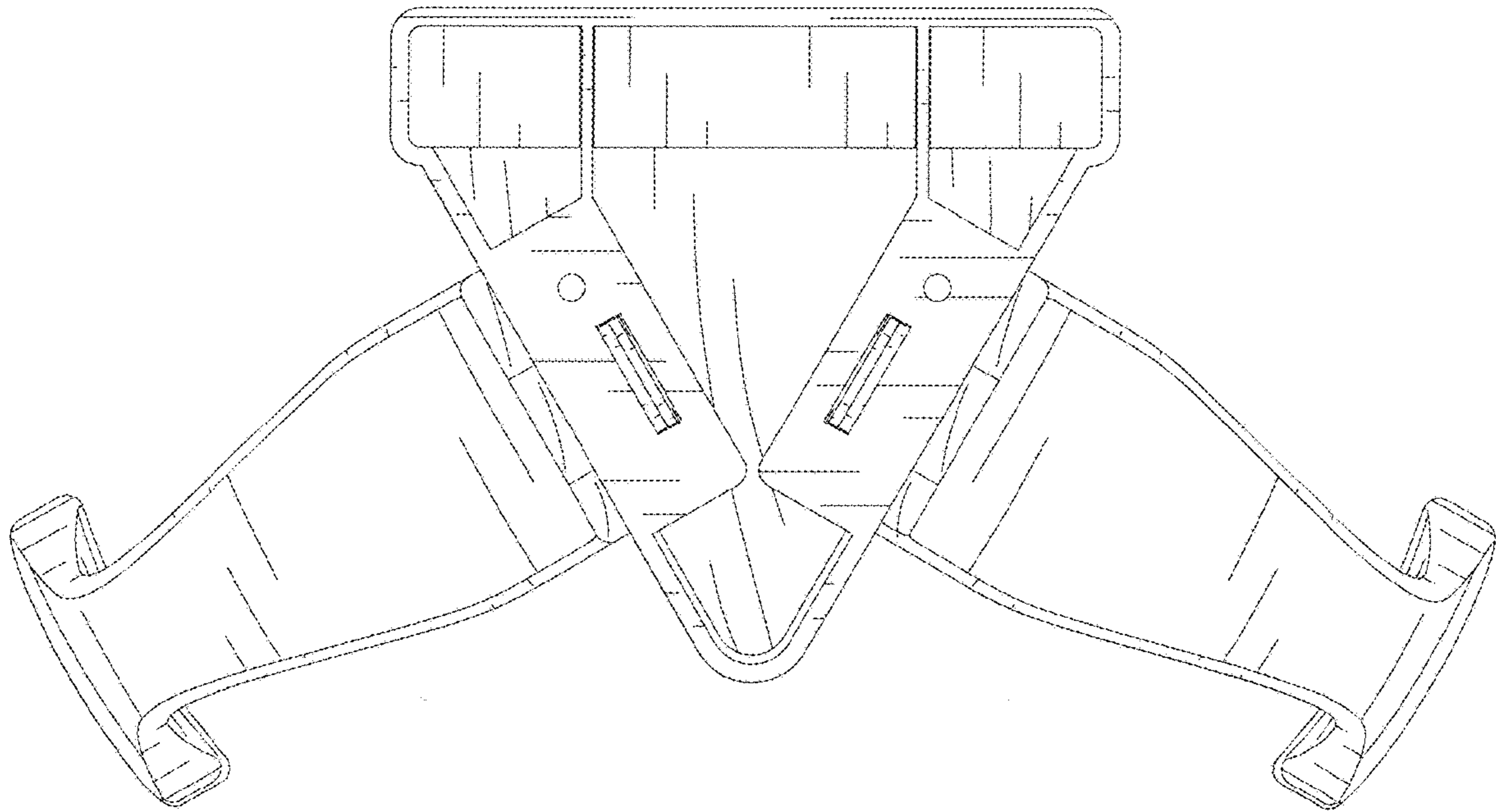


FIG. 3

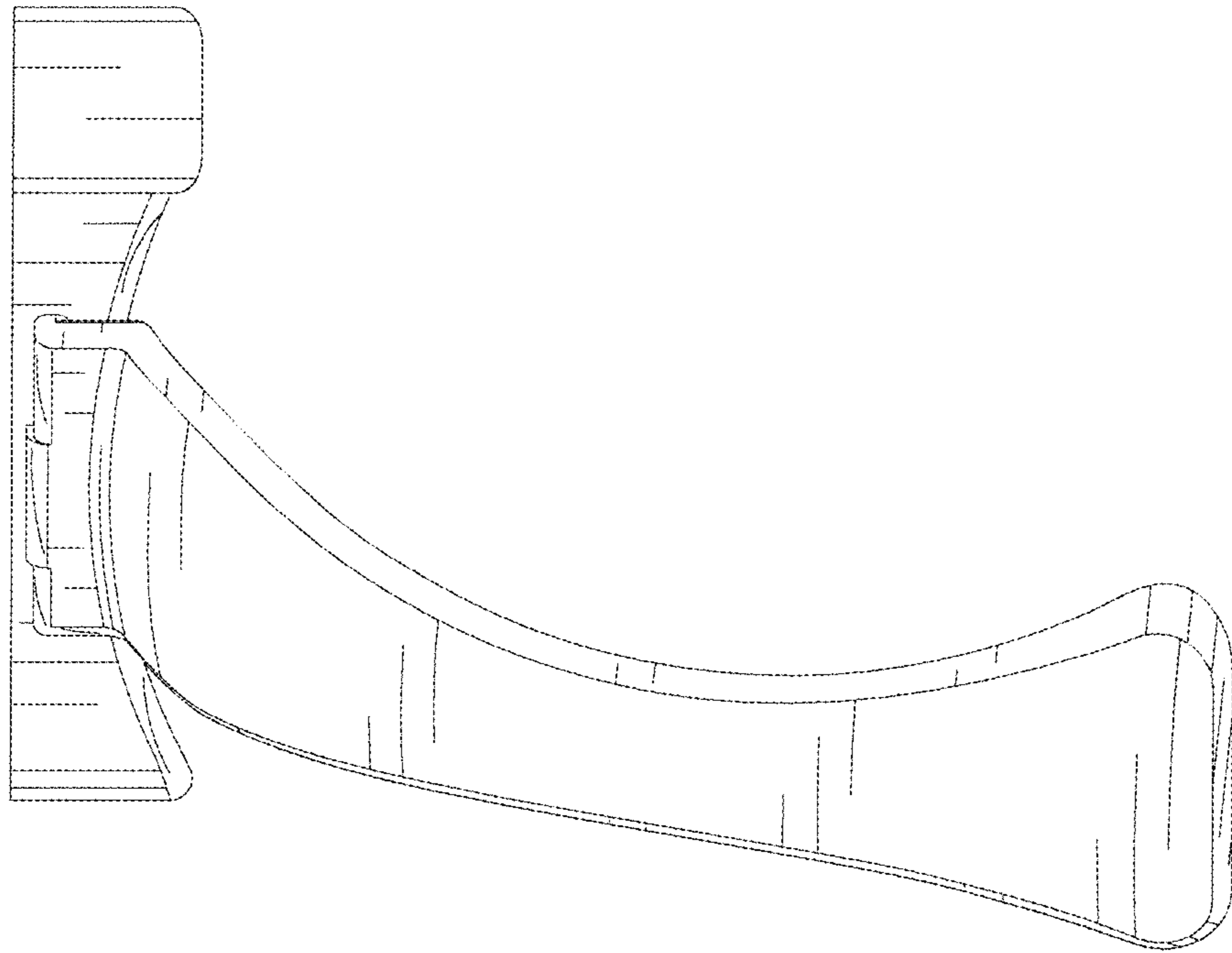


FIG. 4

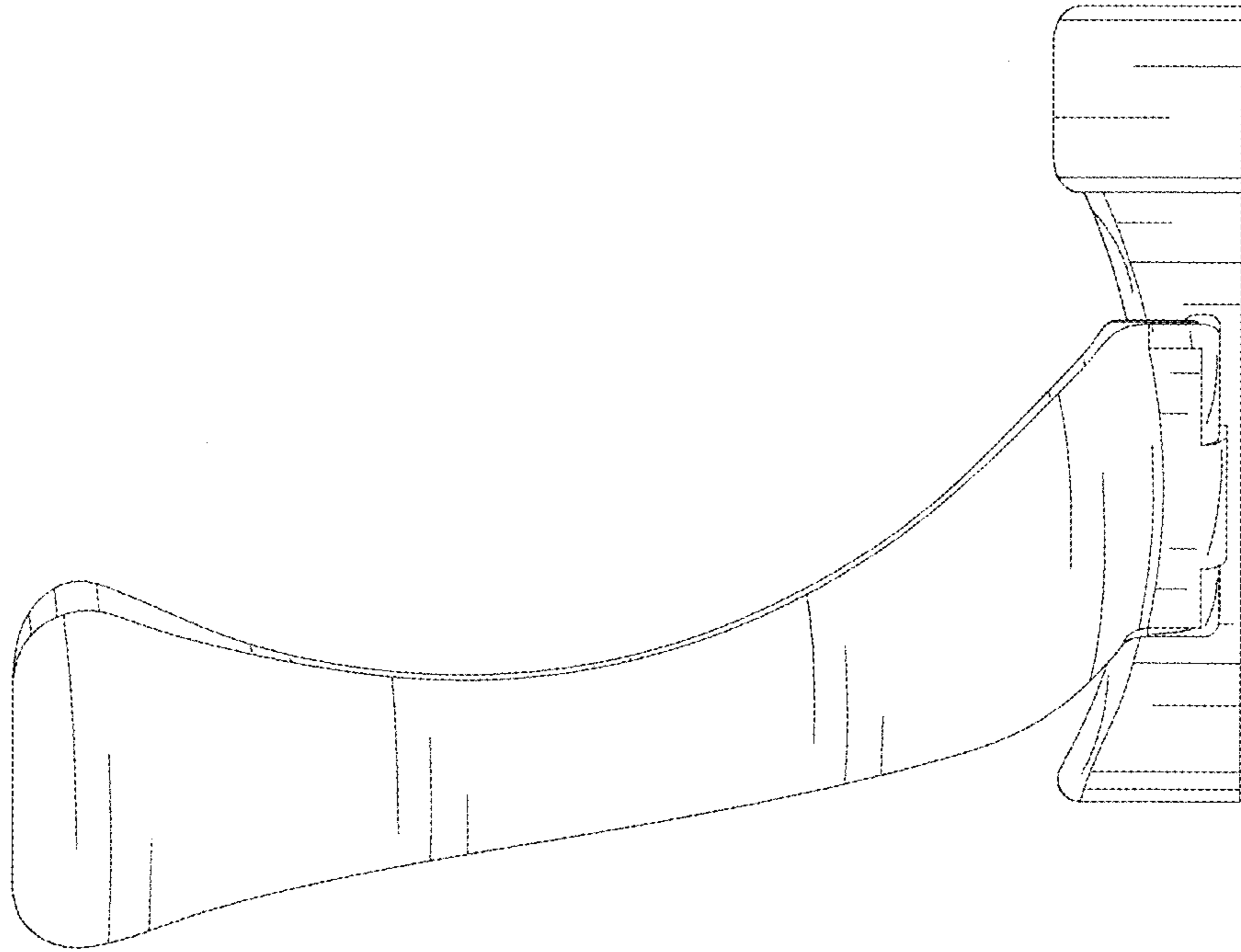


FIG. 5



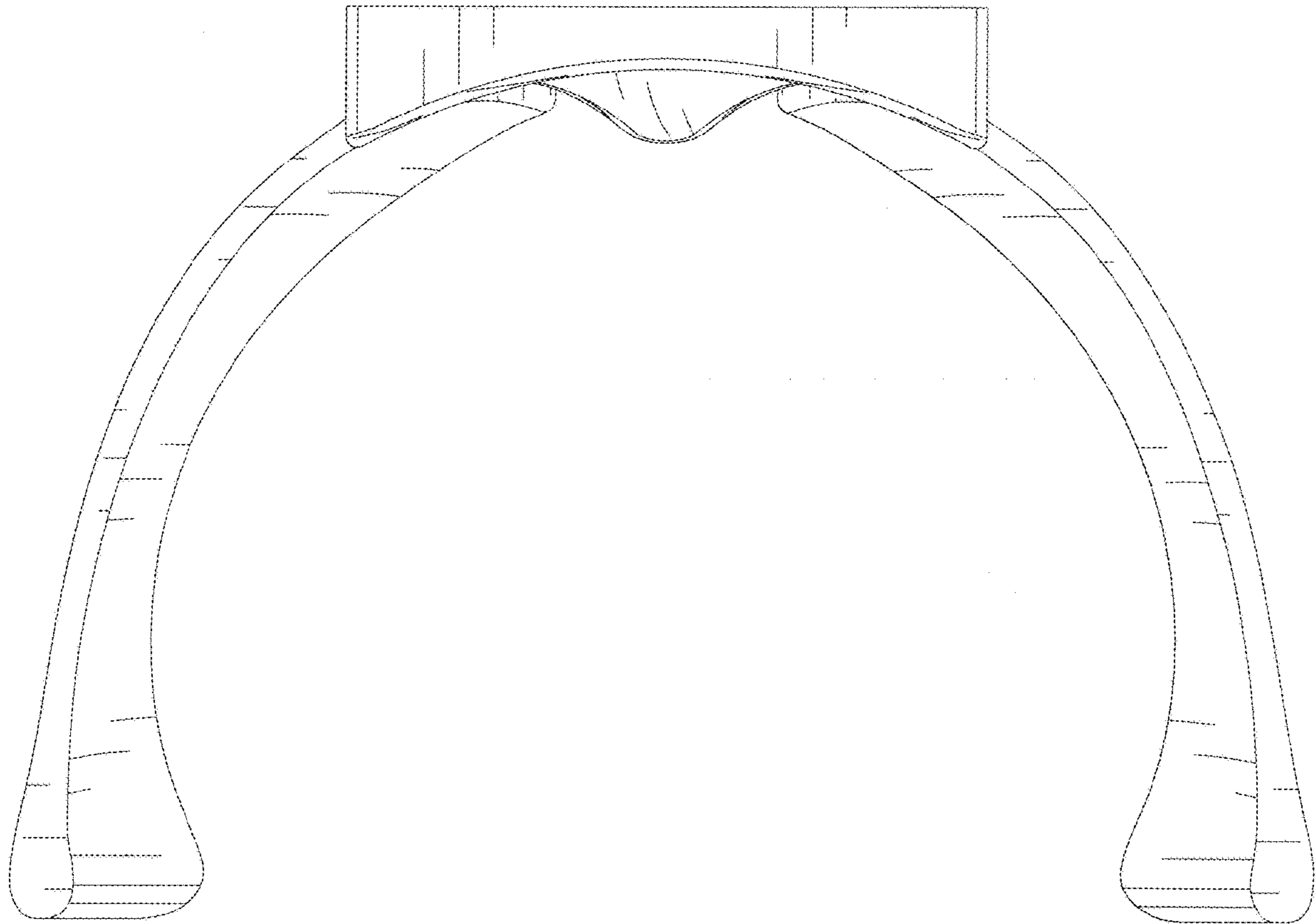


FIG. 6

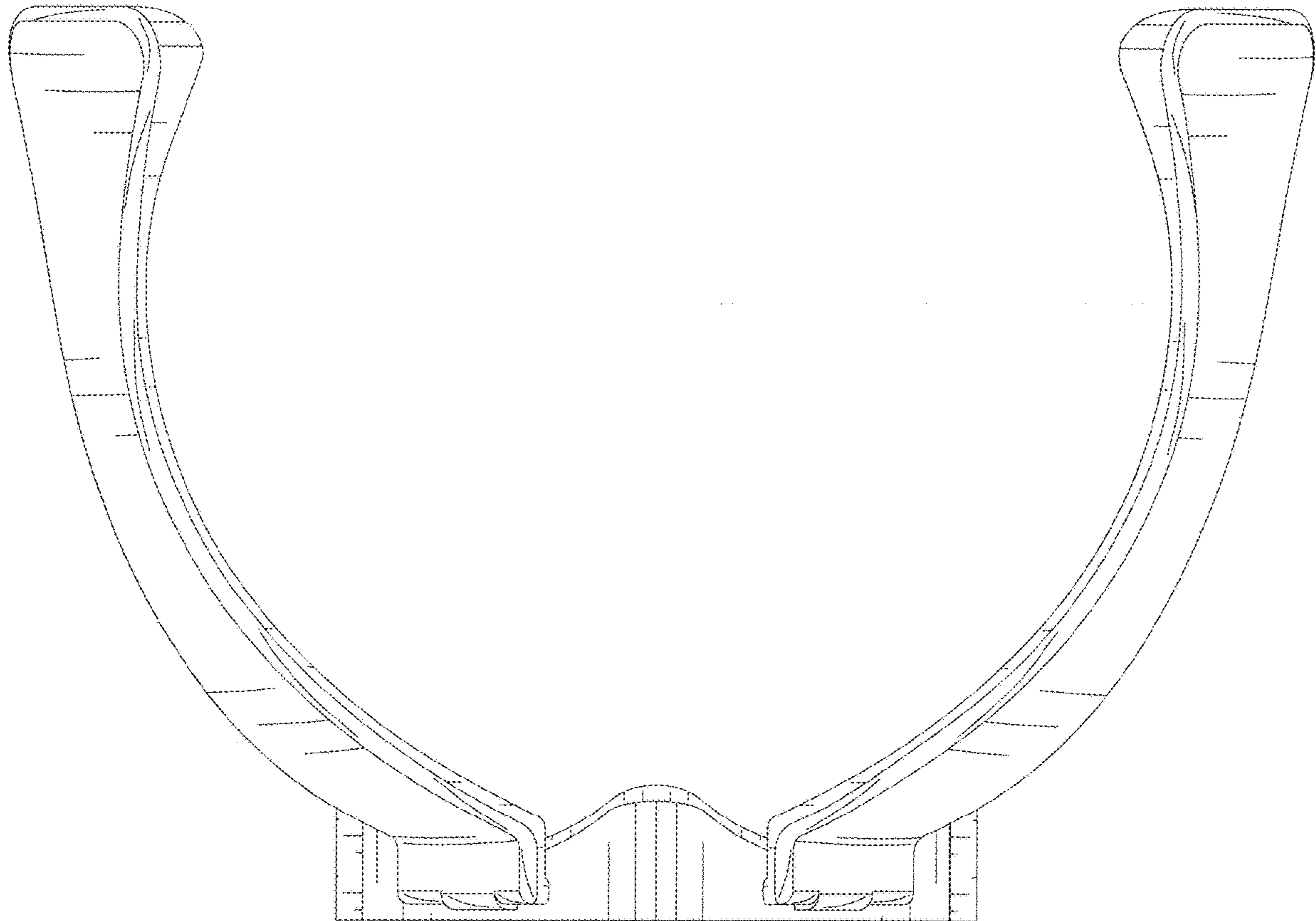


FIG. 7



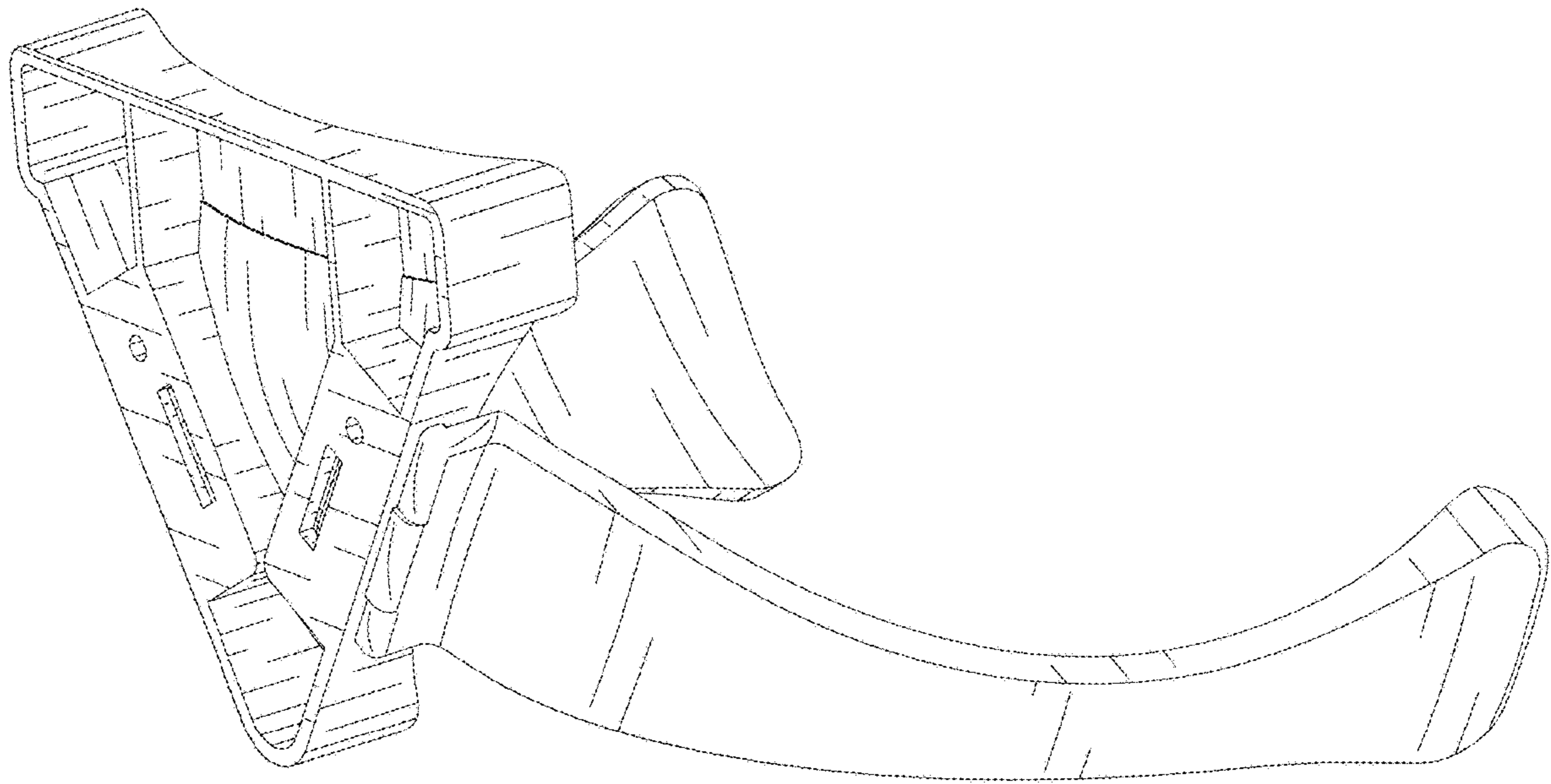


FIG. 8