



US00D877528S

(12) **United States Design Patent** (10) **Patent No.:** **US D877,528 S**  
**Davies et al.** (45) **Date of Patent:** **\*\* Mar. 10, 2020**

(54) **TISSUE BOX HOLDER** 2012/0168471 A1\* 7/2012 Wilson ..... A45F 5/00  
 224/152  
 (71) Applicant: **Techdent Limited**, London (GB) 2013/0270850 A1 10/2013 Fan  
 2014/0217256 A1\* 8/2014 Young ..... B62J 11/00  
 248/311.2  
 (72) Inventors: **Phillip Davies**, London (GB); **Laraine Wright**, London (GB) 2014/0217862 A1 8/2014 Rayner  
 2014/0263495 A1\* 9/2014 Koch ..... A45F 5/00  
 224/222  
 (73) Assignee: **Techdent Limited**, London (GB) 2014/0366357 A1 12/2014 Haarburger  
 2015/0164161 A1\* 6/2015 Moreau ..... A45F 5/00  
 2/170  
 (\*\*) Term: **15 Years**

(Continued)

(21) Appl. No.: **29/601,785**

FOREIGN PATENT DOCUMENTS

(22) Filed: **Apr. 26, 2017**  
 (51) **LOC (12) Cl.** ..... **07-07**  
 (52) **U.S. Cl.**  
 USPC ..... **D6/518**

BR MU8702339 U2 2/2009  
 GB 2403262 A 12/2004  
 WO 2012016158 A2 2/2012

(Continued)

(58) **Field of Classification Search**  
 USPC ..... D6/518–524, 546–550; 211/13.1, 16,  
 211/60.1, 86.01, 87.01, 88.01, 88.04, 100,  
 211/105.1, 105.2, 123, 181.1, 182;  
 248/175, 176.1, 251, 302; 220/216;  
 108/28–29; 16/110.1, 415; 242/570,  
 242/590, 595–598, 597.7; D8/300, 303,  
 D8/315–321  
 CPC ..... A47K 10/38; A47K 2010/3266; A47K  
 2010/3253; A47K 10/421; B65D 83/0805  
 See application file for complete search history.

*Primary Examiner* — Nathan M Johnston  
 (74) *Attorney, Agent, or Firm* — Jacob M. Ward; Ward  
 Law Office LLC

(57) **CLAIM**

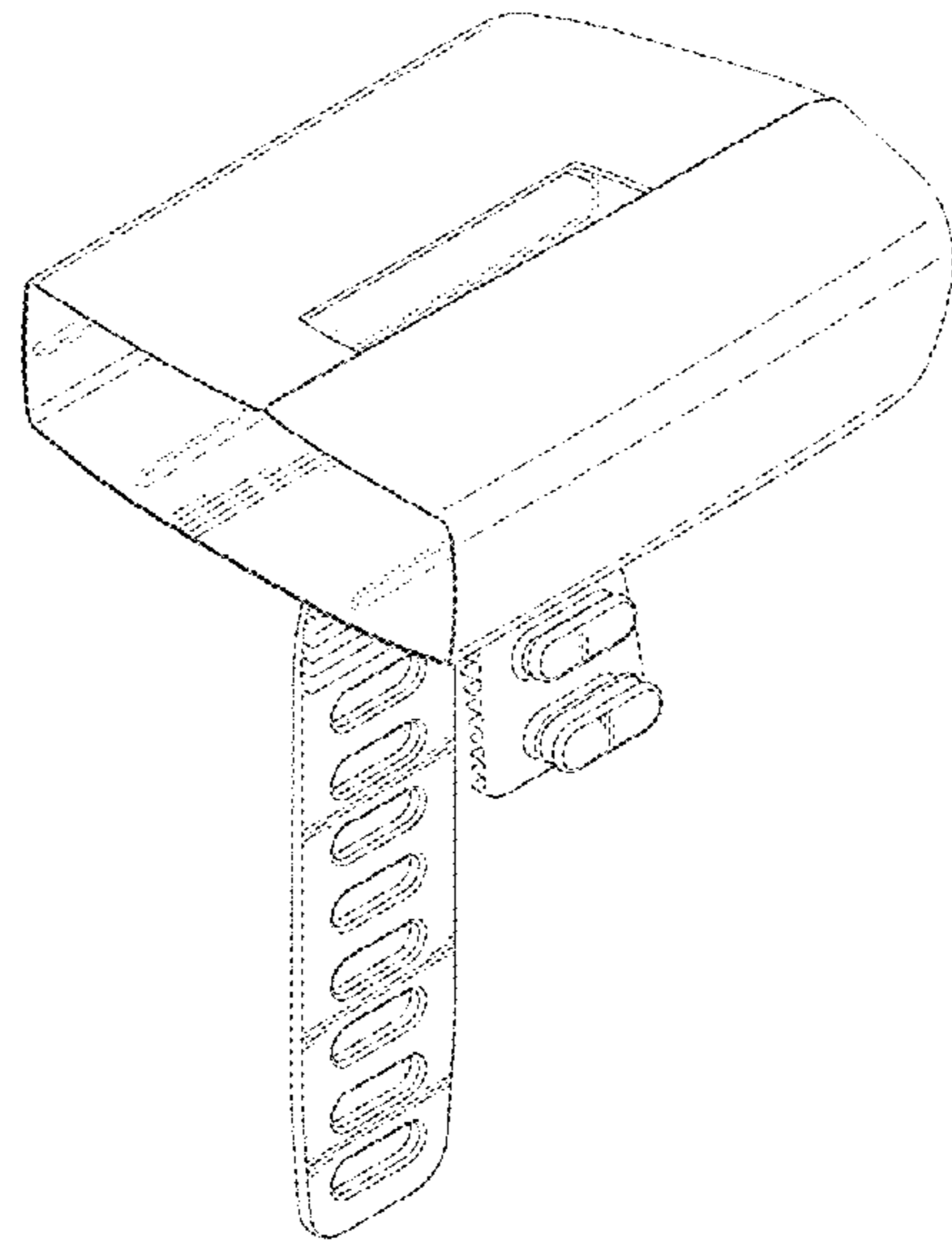
The ornamental design for a tissue box holder, as shown and described.

**DESCRIPTION**

FIG. 1 is a top perspective view of a tissue box holder showing our new design;  
 FIG. 2 is a right side elevational view of the tissue box holder in FIG. 1;  
 FIG. 3 is a left side elevational view thereof;  
 FIG. 4 is a front elevational view thereof;  
 FIG. 5 is a rear elevational view thereof;  
 FIG. 6 is a top plan view thereof; and,  
 FIG. 7 is a bottom plan view thereof.  
 The ornamental design which is claimed is shown in solid lines in the drawings. The broken lines form no part of the claimed design.

(56) **References Cited**  
 U.S. PATENT DOCUMENTS  
 D345,269 S \* 3/1994 Novak ..... D6/526  
 D377,752 S \* 2/1997 Gaudet ..... D8/354  
 6,491,267 B1 \* 12/2002 Feldman ..... A45D 20/12  
 248/176.1  
 D668,491 S \* 10/2012 Mu ..... D6/529  
 8,770,808 B1 7/2014 Campbell et al.  
 D730,724 S \* 6/2015 Brown ..... F24F 13/32  
 D8/380  
 2008/0277440 A1\* 11/2008 Chen ..... B60R 11/00  
 224/572

**1 Claim, 7 Drawing Sheets**



(56)

**References Cited**

U.S. PATENT DOCUMENTS

2015/0182009 A1\* 7/2015 Whang ..... A45F 5/00  
224/222  
2017/0242262 A1\* 8/2017 Fuchs ..... H04N 13/344

FOREIGN PATENT DOCUMENTS

WO 2013071346 A1 5/2013  
WO 2014141873 A1 9/2014  
WO 2014165000 A1 10/2014

\* cited by examiner

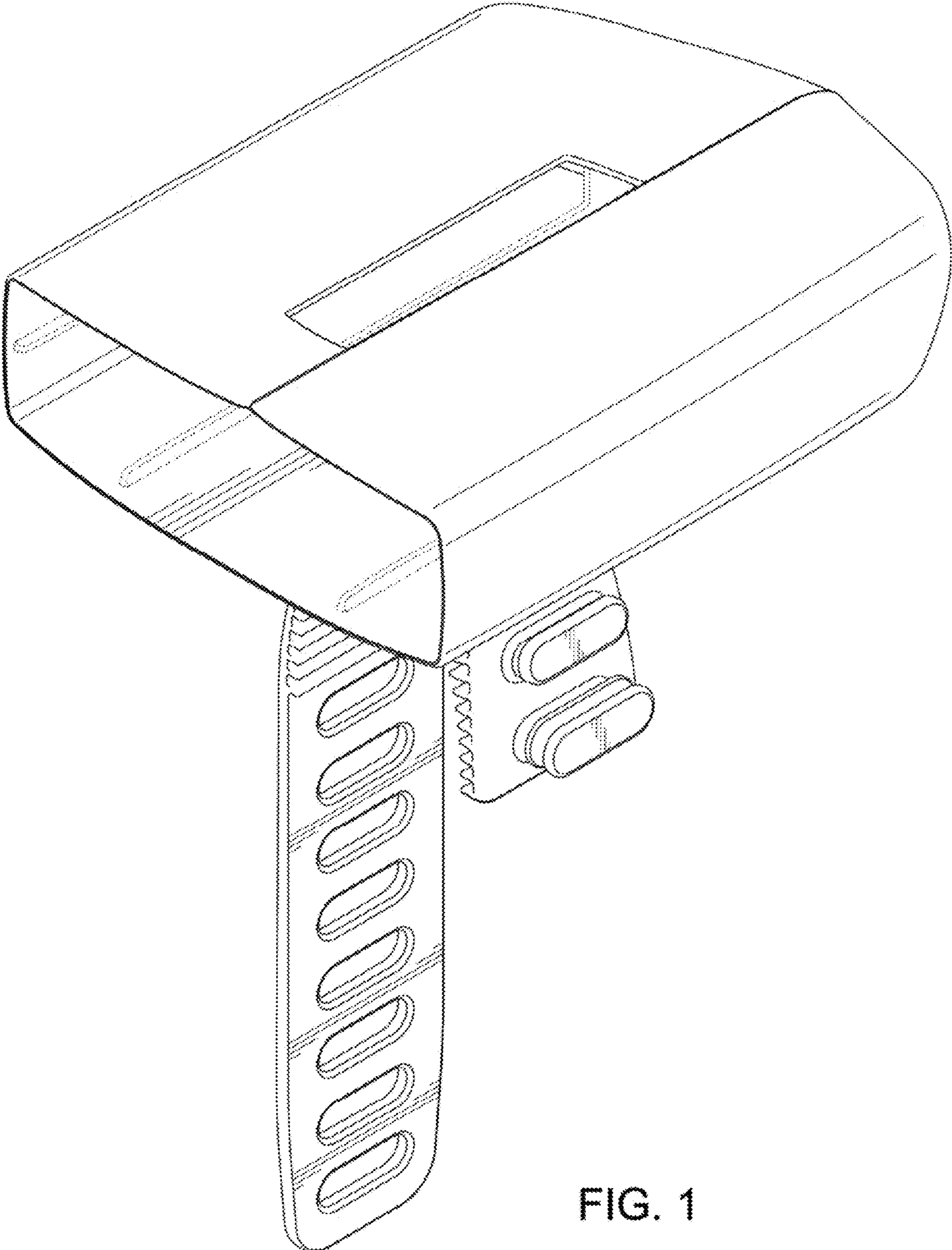


FIG. 1

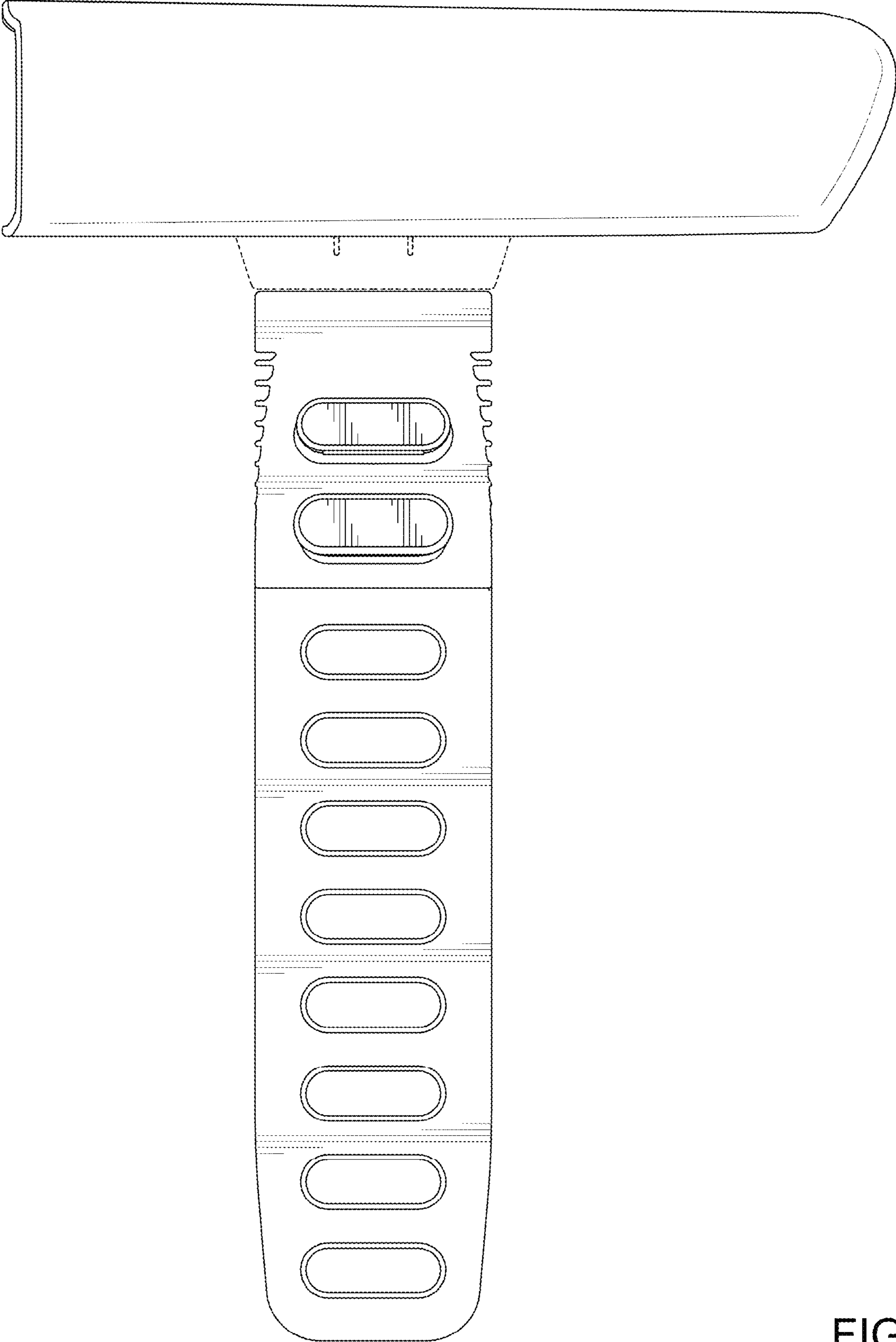


FIG. 2

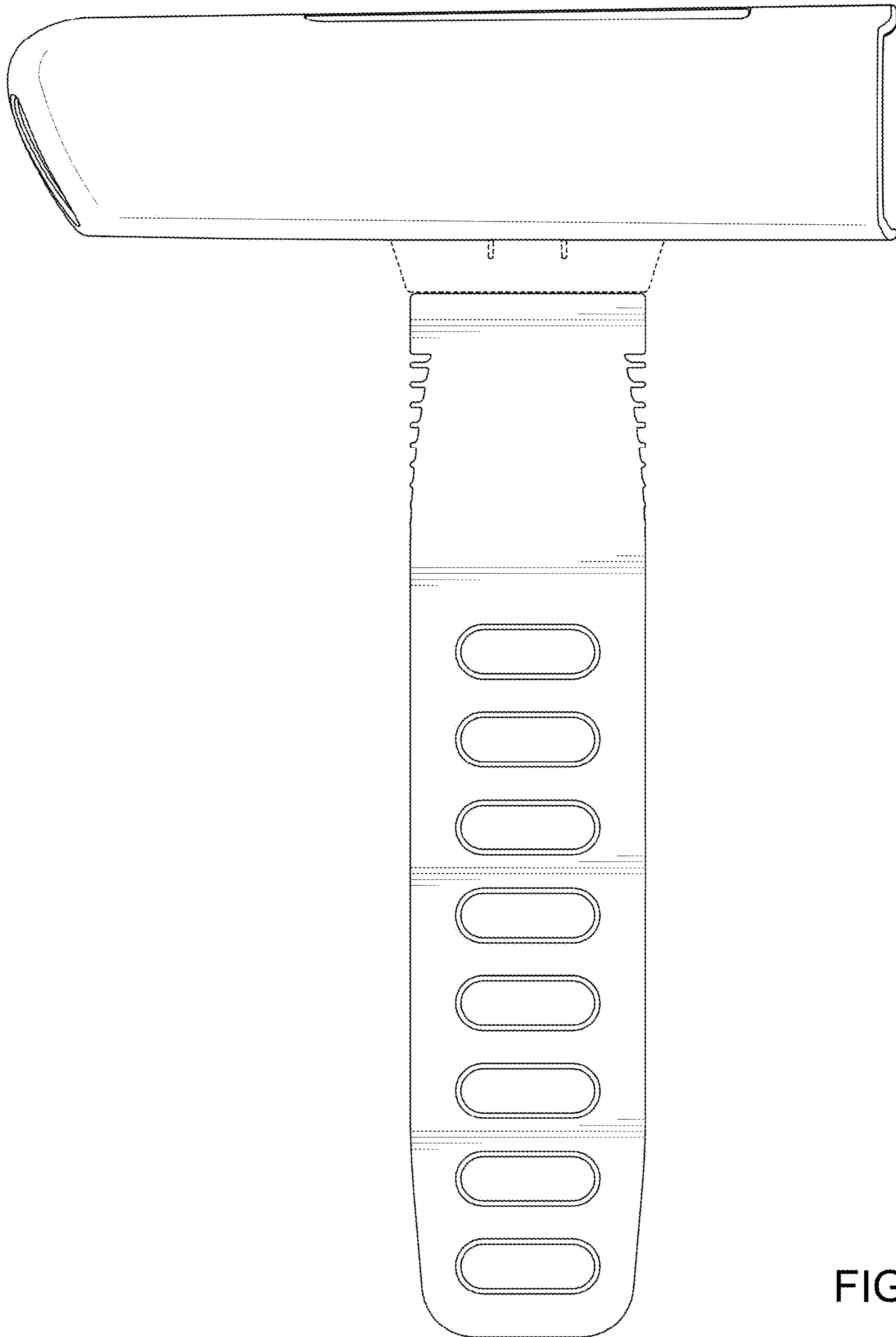


FIG. 3

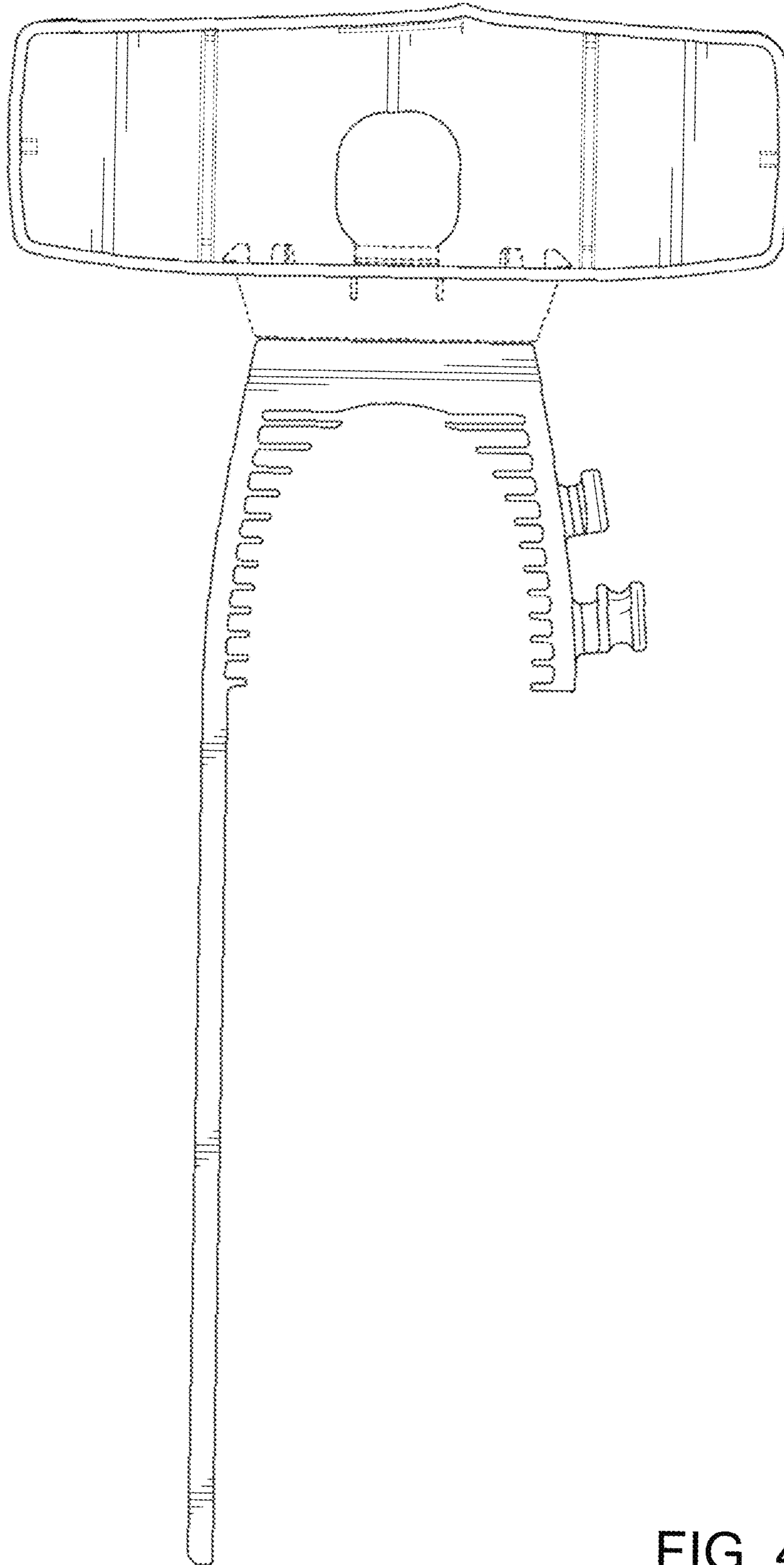


FIG. 4

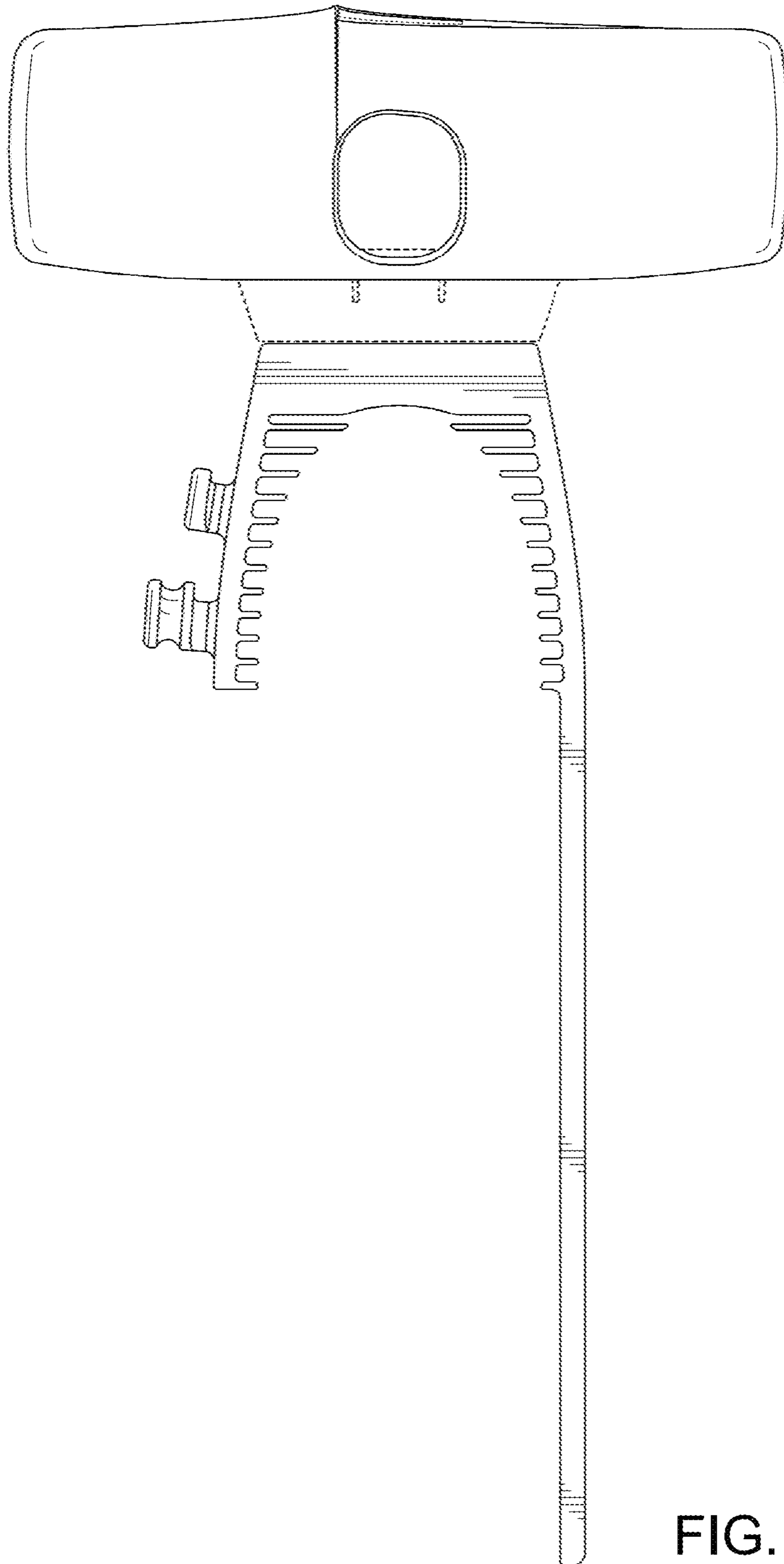


FIG. 5

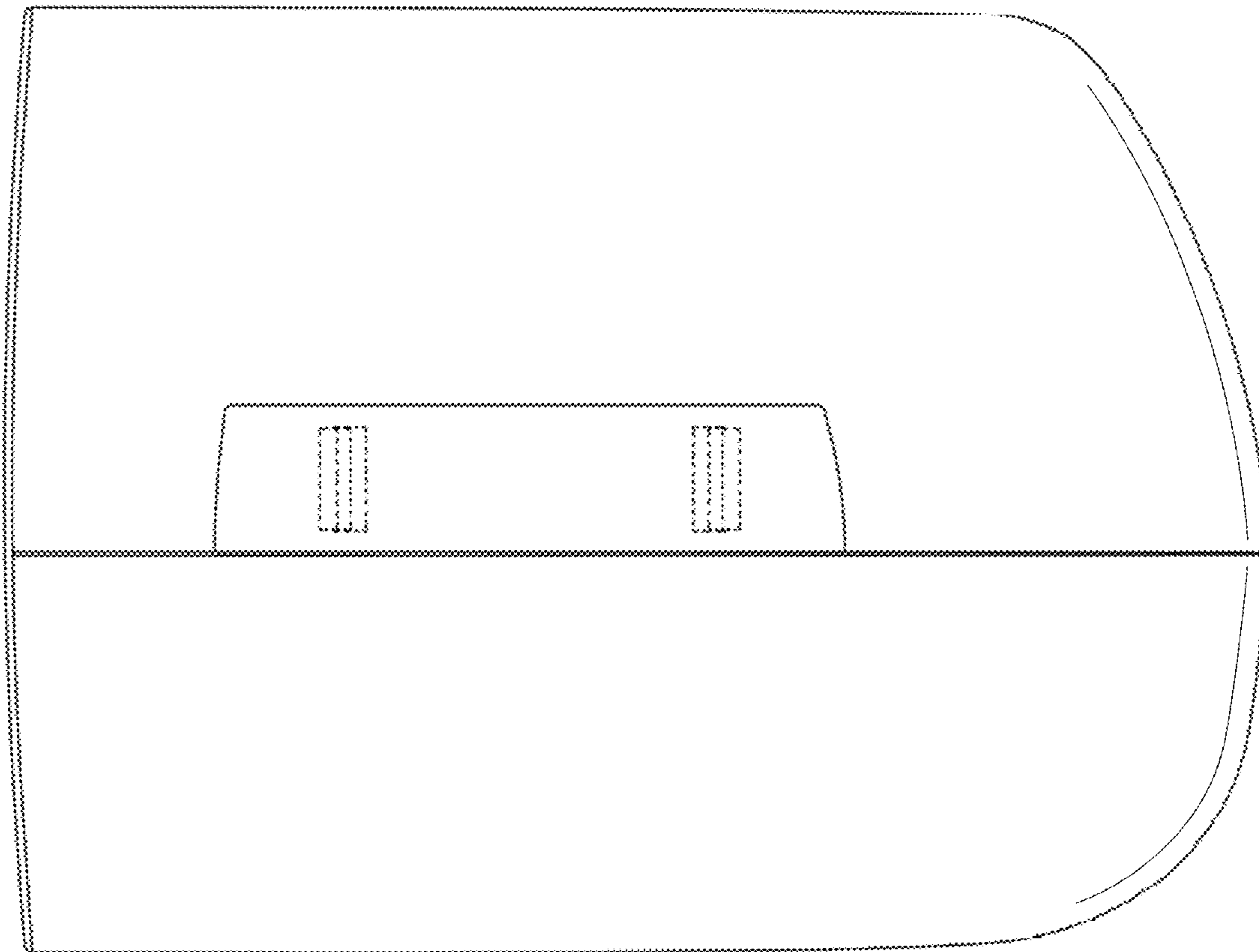


FIG. 6



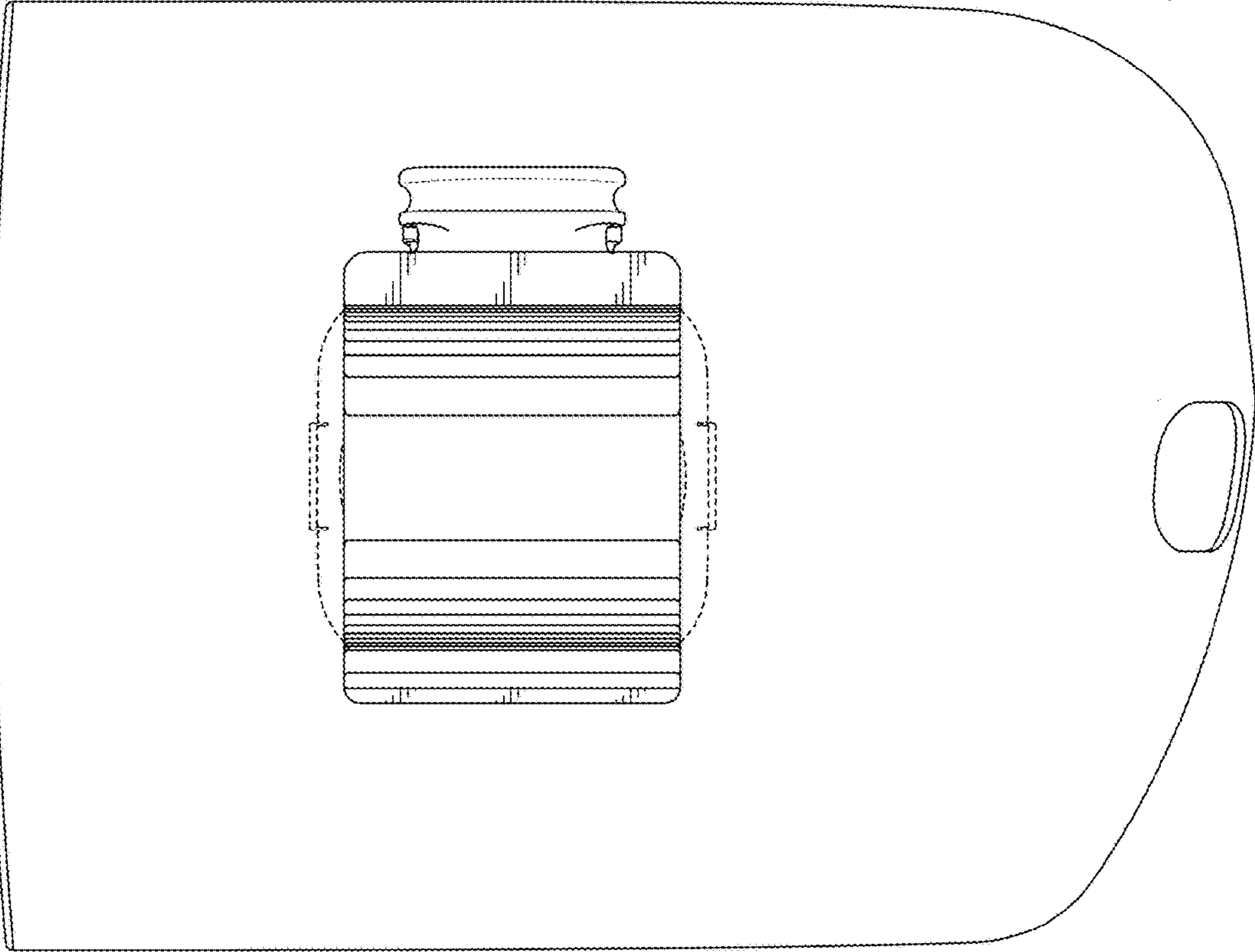


FIG. 7