



US00D877527S

(12) **United States Design Patent**
Gopaul

(10) **Patent No.:** **US D877,527 S**
(45) **Date of Patent:** **** Mar. 10, 2020**

(54) **PORTABLE CRIB**
(71) Applicant: **Susan Gopaul**, Beaverton, OR (US)
(72) Inventor: **Susan Gopaul**, Beaverton, OR (US)
(**) Term: **15 Years**
(21) Appl. No.: **35/505,000**
(22) Filed: **Apr. 17, 2018**

D609,934 S * 2/2010 Riddford A47D 9/005
D6/390
D804,217 S * 12/2017 Festa A47D 9/02
D6/391
2004/0133977 A1* 7/2004 Rimbau Vidal A47D 9/005
5/98.3
2008/0001450 A1* 1/2008 Yang A47D 9/005
297/219.12
2017/0251827 A1* 9/2017 Gallina A47D 7/02
2017/0360216 A1* 12/2017 Sclare A47D 9/02

(80) **Hague Agreement Data**
Int. Filing Date: **Apr. 17, 2018**
Int. Reg. No.: **DM/101090**
Int. Reg. Date: **Apr. 17, 2018**
Int. Reg. Pub. Date: **May 25, 2018**

(51) **LOC (12) Cl.** **06-02**
(52) **U.S. Cl.**
USPC **D6/390**
(58) **Field of Classification Search**
USPC D6/661, 382, 383, 390-392
CPC A47D 7/00; A47D 7/002; A47D 7/005;
A47D 7/01; A47D 7/02; A47D 9/00;
A47D 9/005; A47D 9/02
See application file for complete search history.

(56) **References Cited**
U.S. PATENT DOCUMENTS

1,266,927 A * 5/1918 Eberle A47D 9/02
5/101
3,146,736 A * 9/1964 Hetrick A47D 9/005
108/115
6,588,033 B1 * 7/2003 Welsh, Jr. A47D 7/002
5/93.1
D534,367 S * 1/2007 Peltonen A47D 7/002
D6/331

OTHER PUBLICATIONS

Venice Child California Dreaming Portable Bassinet—Brixy.com
<https://brixy.com/product/venice-child-california-dreaming-portable-crib/retrieved-from-the-internet-on-Jul-17-2019>.
Bed Side Crib for Baby—Amazon.com https://www.amazon.com/Bed-Side-Crib-Baby-ComfyBumpy/dp/B07HRJX7Z3/ref=cm_cr_ar_p_d_pdt_img_top?ie=UTF8 retrieved from the internet on Jul. 17, 2019.*

* cited by examiner

Primary Examiner — Mary Ann Calabrese

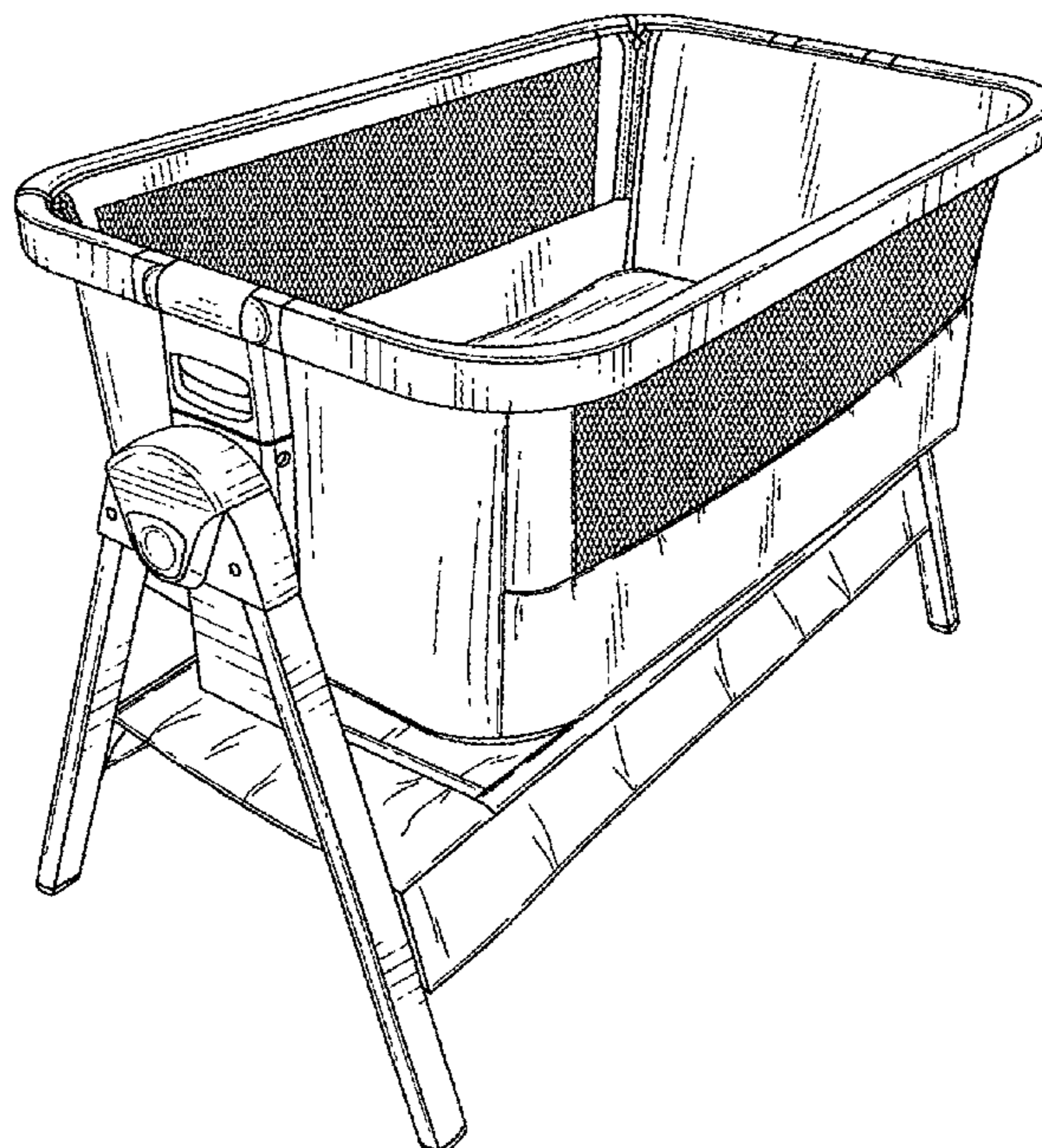
(57) **CLAIM**

I claim the ornamental design for a portable crib, as shown and described.

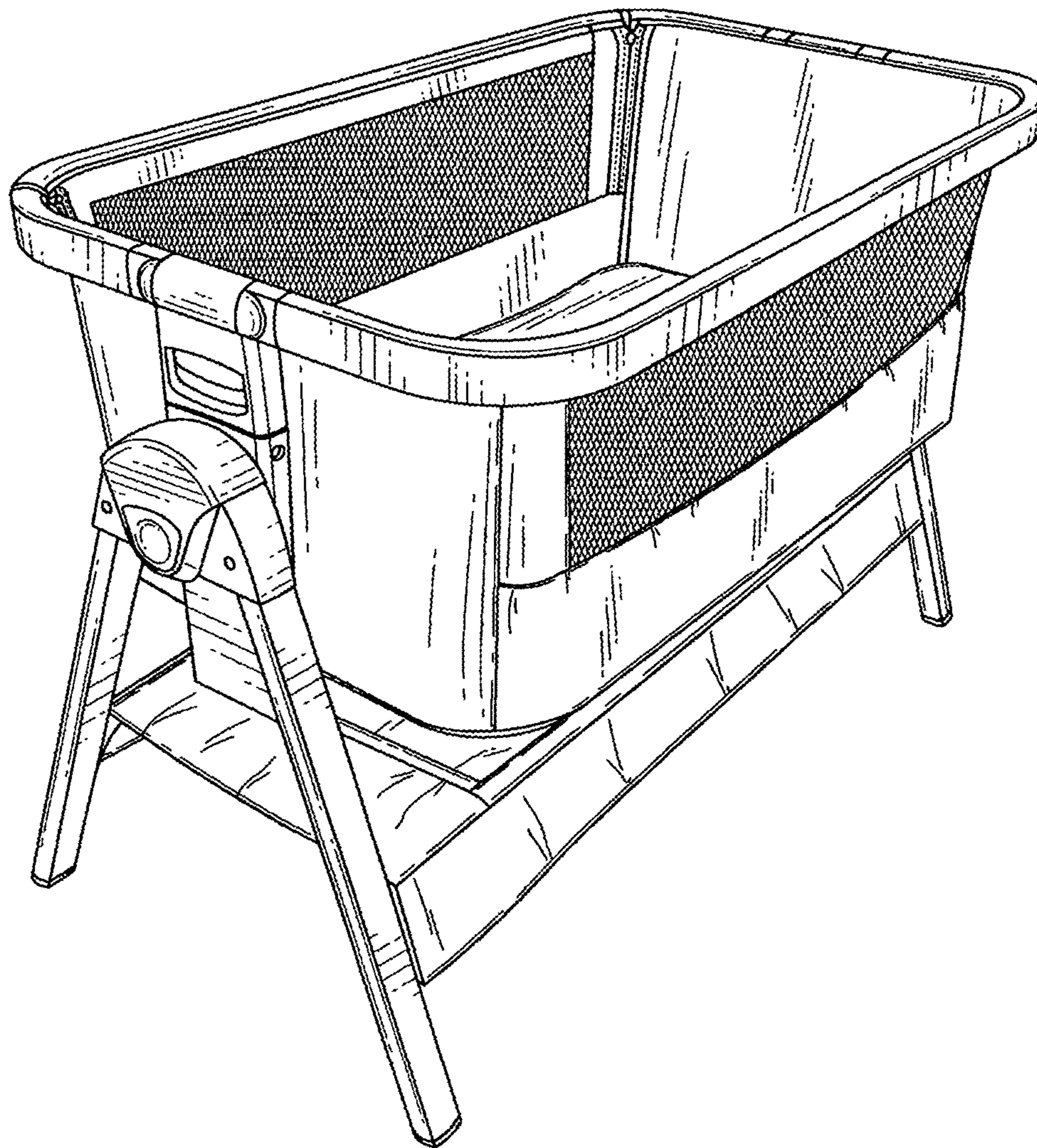
DESCRIPTION

2. Portable crib
2.1 is a front perspective view,
2.2 is a front view,
2.3 is a rear view,
2.4 is a right side view,
2.5 is a left side view,
2.6 is a top view; and,
2.7 is a bottom view.

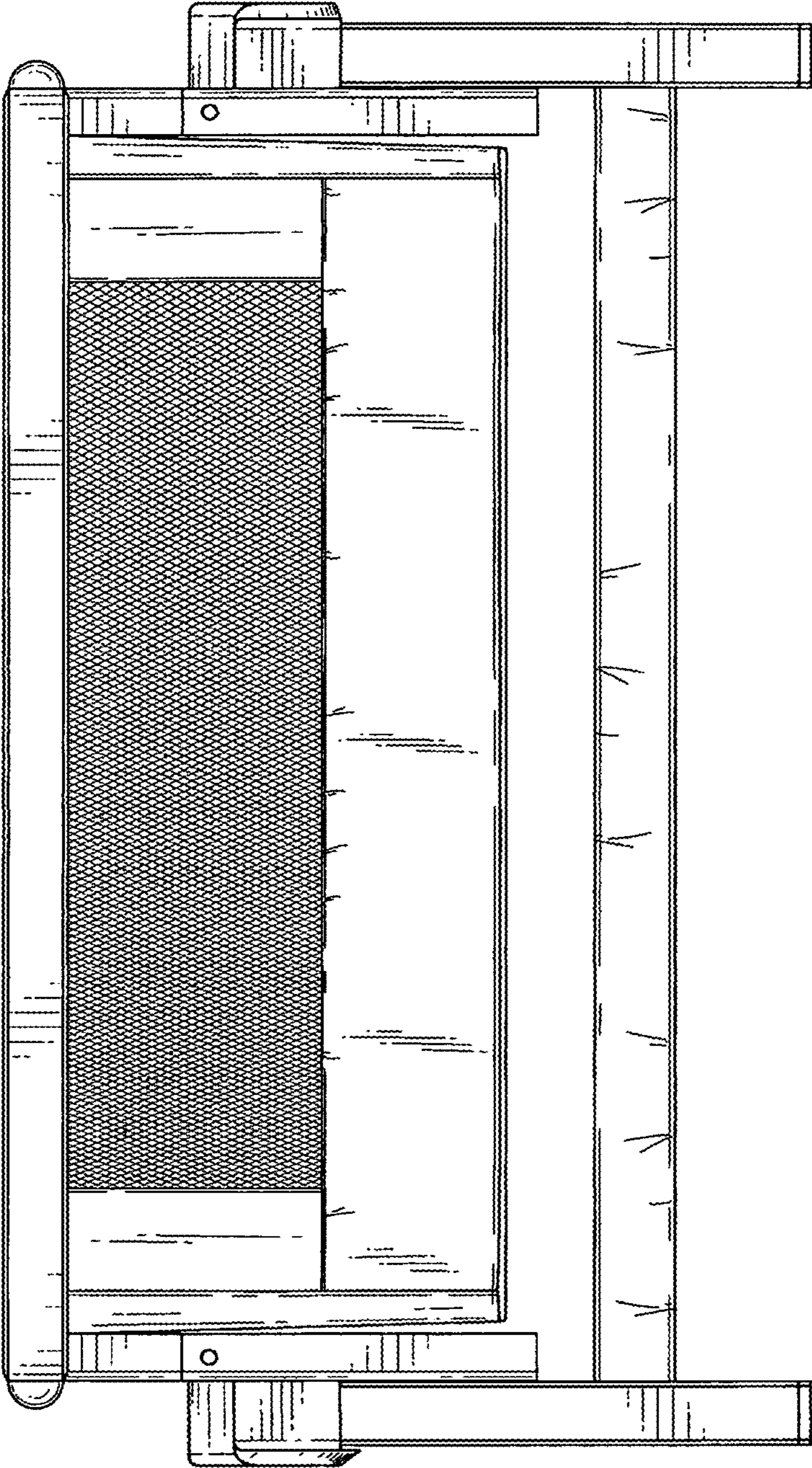
1 Claim, 7 Drawing Sheets



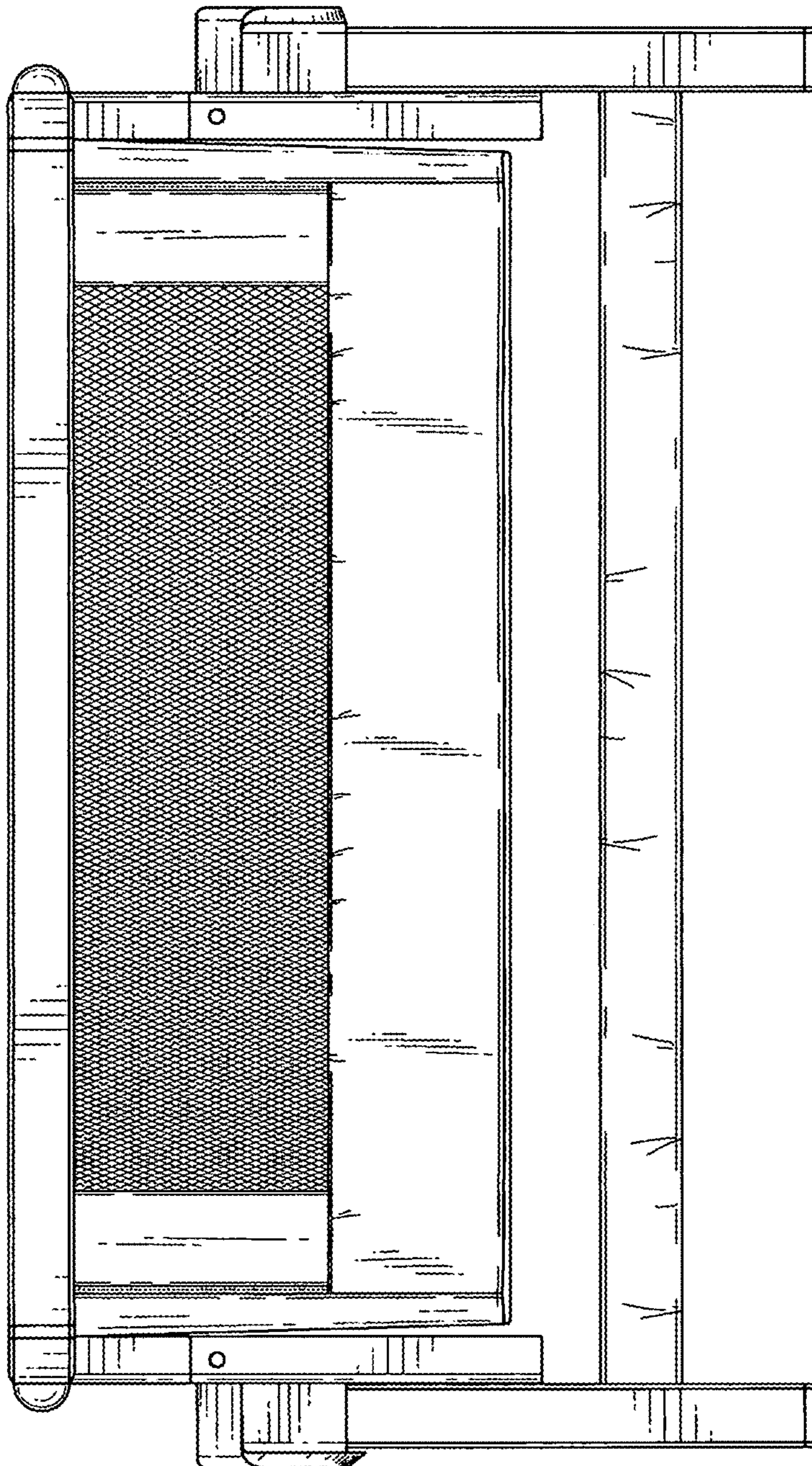
2.1



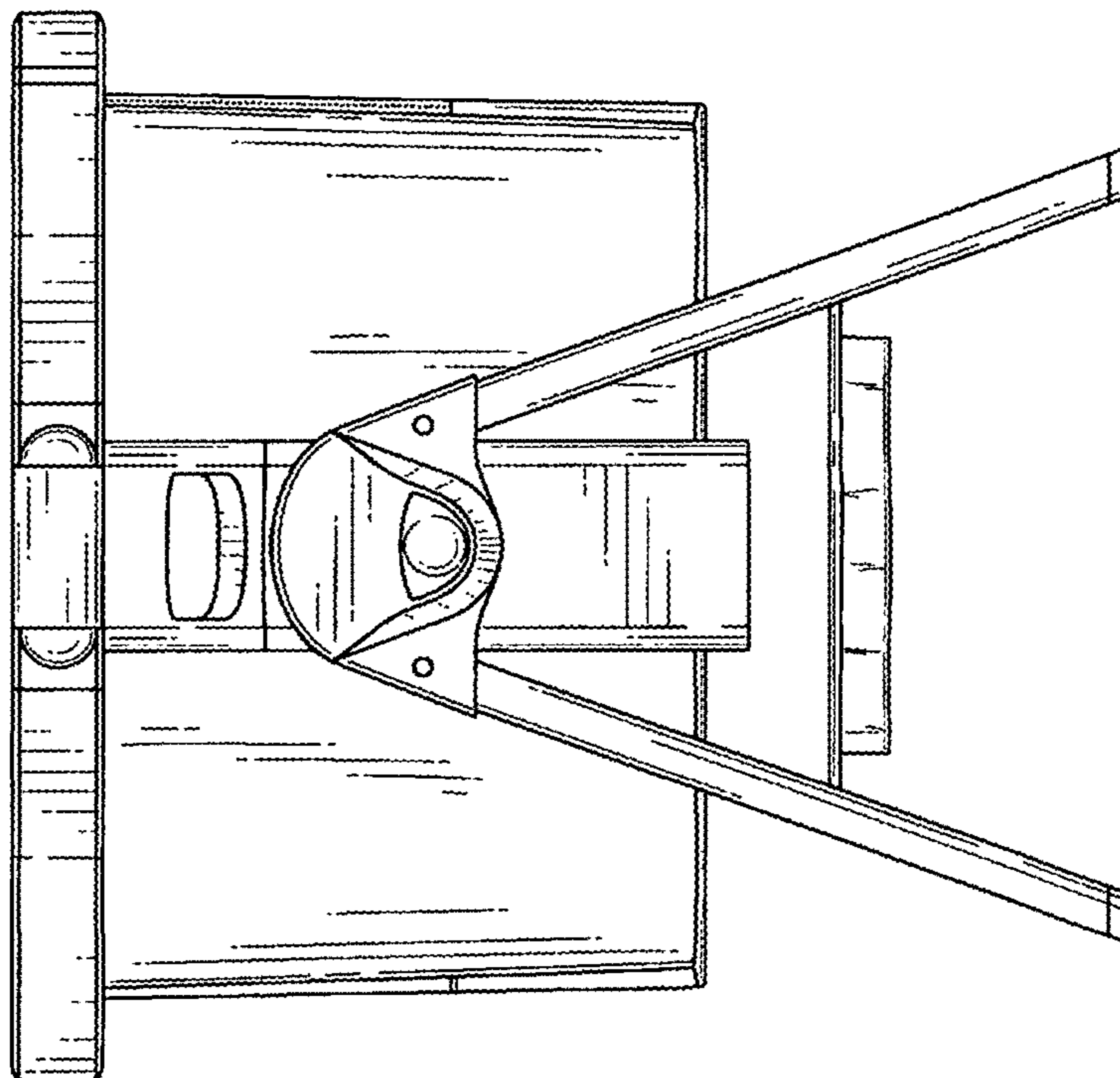
2.2



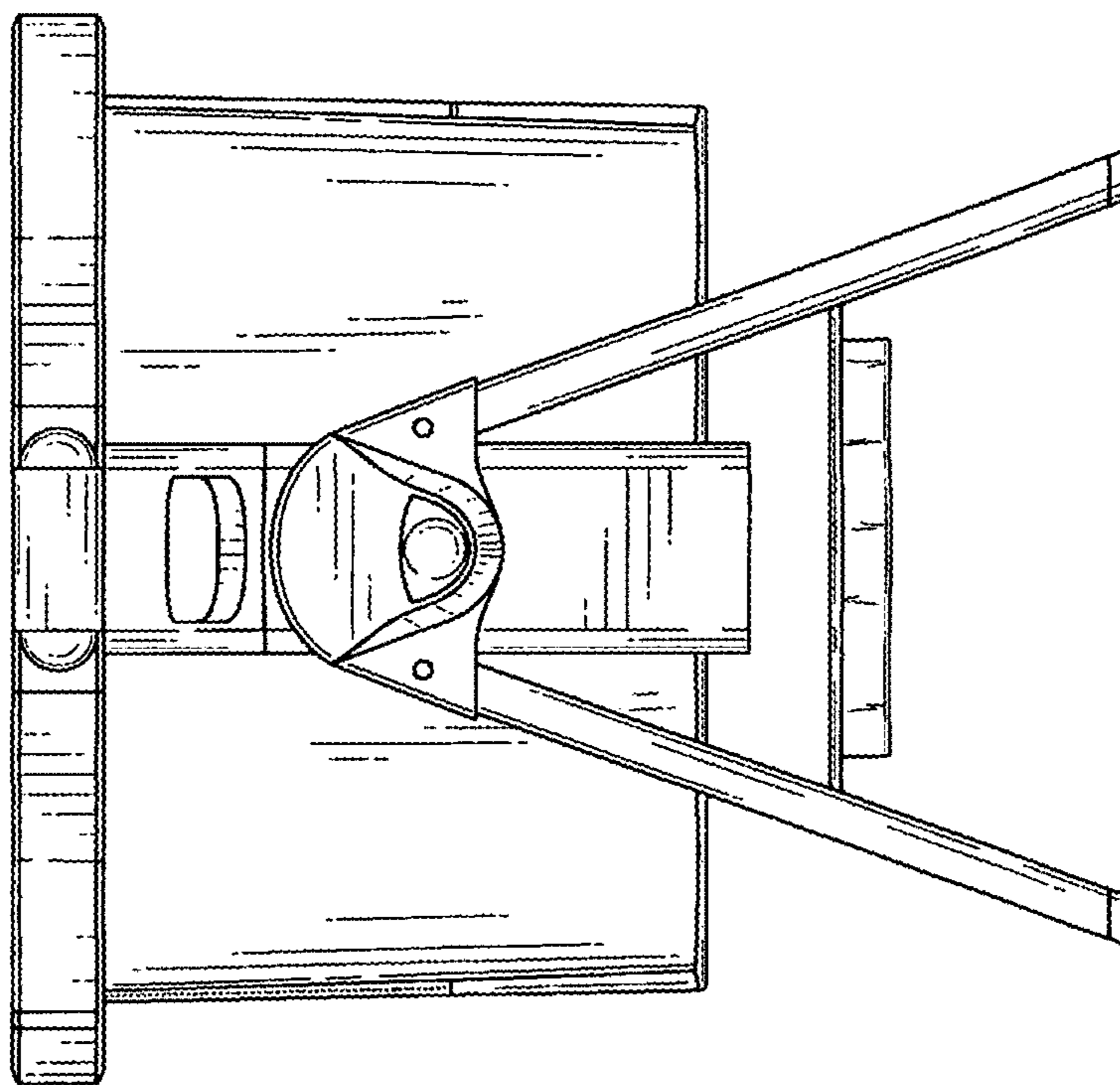
2.3



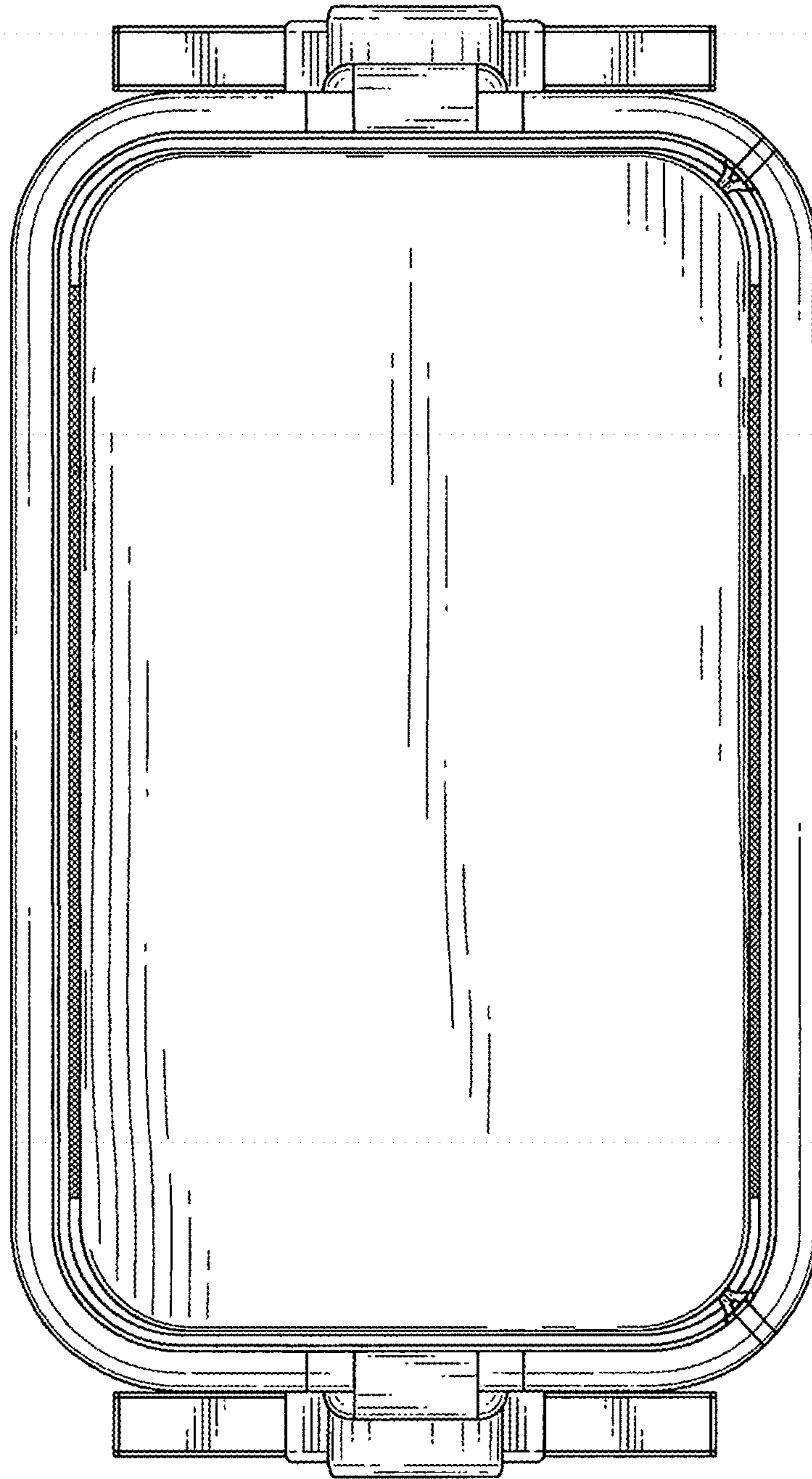
2.4



2.5



2.6



2.7

