



US00D877525S

(12) **United States Design Patent**
Novak

(10) **Patent No.:** **US D877,525 S**
(45) **Date of Patent:** **** Mar. 10, 2020**

- (54) **STOOL**
- (71) Applicant: **MODERNICA, INC.**, Vernon, CA (US)
- (72) Inventor: **Jay L. Novak**, Vernon, CA (US)
- (73) Assignee: **MODERNICA, INC.**, Vernon, CA (US)
- (**) Term: **15 Years**
- (21) Appl. No.: **29/695,066**
- (22) Filed: **Jun. 14, 2019**

- 3,565,486 A 2/1971 Channon
- 3,574,400 A 4/1971 Day
- D226,648 S 4/1973 Sebel et al.
- D228,483 S * 10/1973 Sebel D6/375
- D294,434 S 3/1988 Zakharov
- D465,100 S 11/2002 Savini
- D555,379 S 11/2007 Zilianl
- D596,864 S 7/2009 Bergmann
- D608,549 S 1/2010 Novak
- D617,567 S 6/2010 Stiker Metral
- D656,754 S 4/2012 Starck
- D656,755 S 4/2012 Wanders
- D666,015 S * 8/2012 Morrison D6/360
- D669,701 S 10/2012 Starck
- D670,099 S 11/2012 Olivares

(Continued)

Related U.S. Application Data

- (62) Division of application No. 29/580,326, filed on Oct. 7, 2016, now Pat. No. Des. 853,742.
- (51) **LOC (12) Cl.** **06-01**
- (52) **U.S. Cl.**
USPC **D6/360; D6/375**
- (58) **Field of Classification Search**
USPC D6/334-336, 360, 369, 371, 372, 373, D6/374, 375, 376, 379, 380, 716, 716.1, D6/716.2, 716.3, 716.4
CPC A47C 3/04; A47C 3/12; A47C 4/02; A47C 4/028; A47C 4/03; A47C 5/04; A47C 5/12; A47C 7/16; A47C 7/50; A47C 9/007
See application file for complete search history.

References Cited

U.S. PATENT DOCUMENTS

- D147,133 S * 7/1947 Mankki D6/375
- D181,945 S 1/1958 Saarinen
- D182,790 S * 5/1958 Cohen D6/375
- 2,845,699 A 8/1958 Woodard
- D192,029 S * 1/1962 Avedon D6/375
- D206,713 S * 1/1967 Durko D6/334
- D210,940 S * 5/1968 Eames D6/375

OTHER PUBLICATIONS

Prior Art Drawing.

Primary Examiner — Mimosa De

(74) *Attorney, Agent, or Firm* — Karish & Bjorgum, PC

(57) **CLAIM**

The ornamental design for a stool, as shown and described.

DESCRIPTION

U.S. Design patent application Ser. No. 29/558,185, filed Mar. 15, 2016, and U.S. Design patent application Ser. No. 29/577,675, filed Sep. 14, 2016, disclose chair designs including the seats of this stool design, the disclosures of which are incorporated herein by reference.

FIG. 1 is an isometric view of the stool.

FIG. 2 is a front view of the stool.

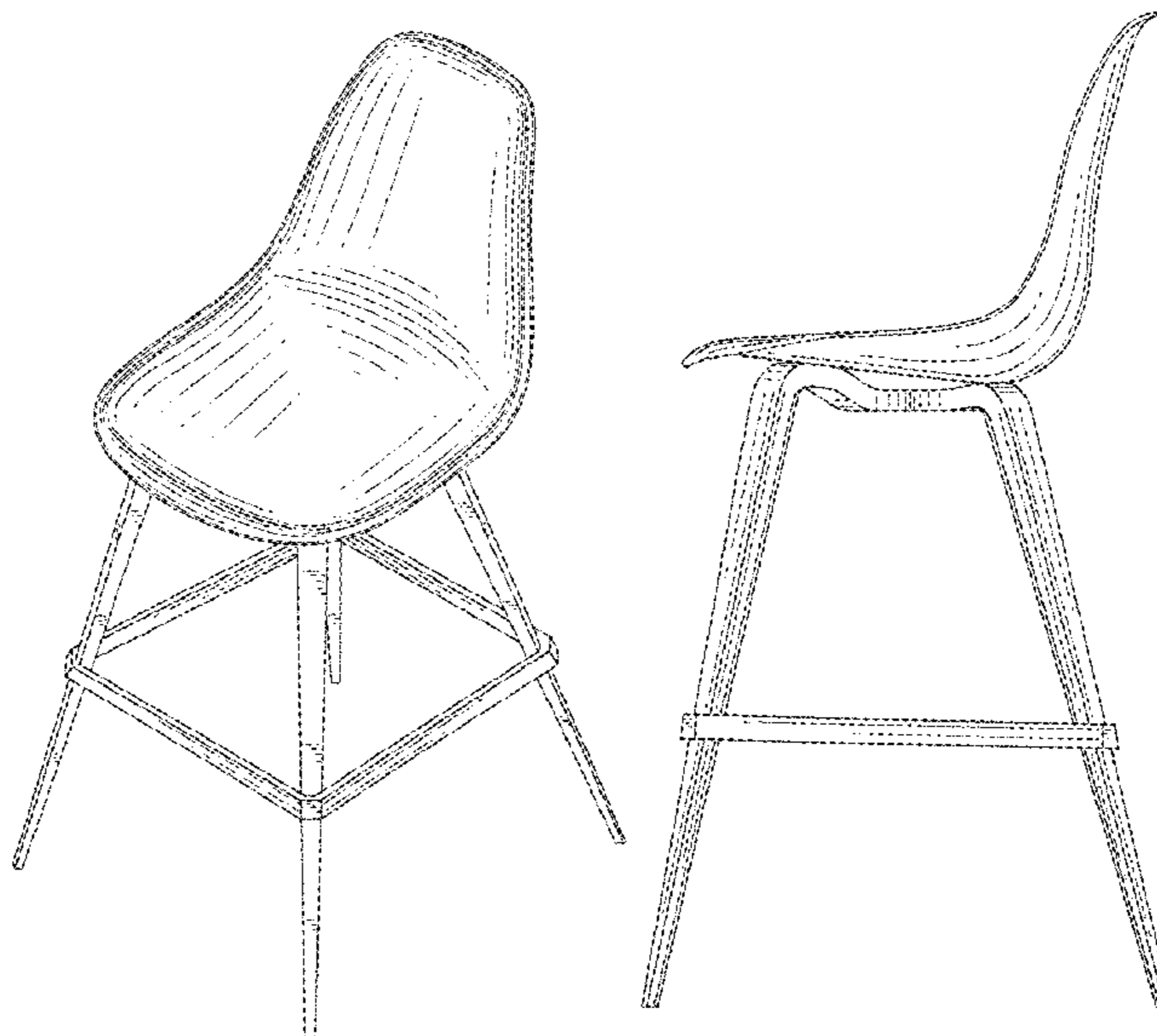
FIG. 3 is a back view of the stool.

FIG. 4 is a left side view of the stool, the right side view being a mirror image of the left side view; and,

FIG. 5 is a top view of the stool.

The bottom view is not part of the design. The legs of the stool have an organic wood grain appearance.

1 Claim, 5 Drawing Sheets



(56)

References Cited

U.S. PATENT DOCUMENTS

D686,831	S	7/2013	Lemson	
D690,147	S	9/2013	Meyer	
D696,036	S	12/2013	Starck	
8,679,504	B2	3/2014	Sellers et al.	
D715,573	S	10/2014	Lloyd	
D726,431	S	4/2015	Ye	
D726,433	S	4/2015	Starck	
D728,957	S	5/2015	Lievore	
D728,959	S	5/2015	Lievore	
D734,050	S	7/2015	Ye	
D734,082	S	7/2015	Bosman	
D742,133	S	11/2015	Sneve	
D748,927	S *	2/2016	Feichtner	D6/375
D753,945	S	4/2016	Johnson	
D759,414	S	6/2016	Mehaffey	
D770,794	S *	11/2016	Hayon	D6/375
D771,988	S	11/2016	Schweikarth	
D798,068	S	9/2017	Iqbal	
D798,617	S	10/2017	Iqbal	
D815,450	S	4/2018	Novak	
D820,625	S	6/2018	Steinmeijer	
D832,608	S *	11/2018	Liu	D6/375
D836,360	S	12/2018	Novak	
D844,357	S *	4/2019	Buffon	D6/716
D845,658	S *	4/2019	Tham	D6/369
D853,742	S *	7/2019	Novak	D6/360
D858,128	S *	9/2019	Li	D6/360
D859,021	S *	9/2019	Novak	D6/369
D860,666	S *	9/2019	Urquiola	D6/360
2003/0077131	A1	4/2003	Wiman	

* cited by examiner

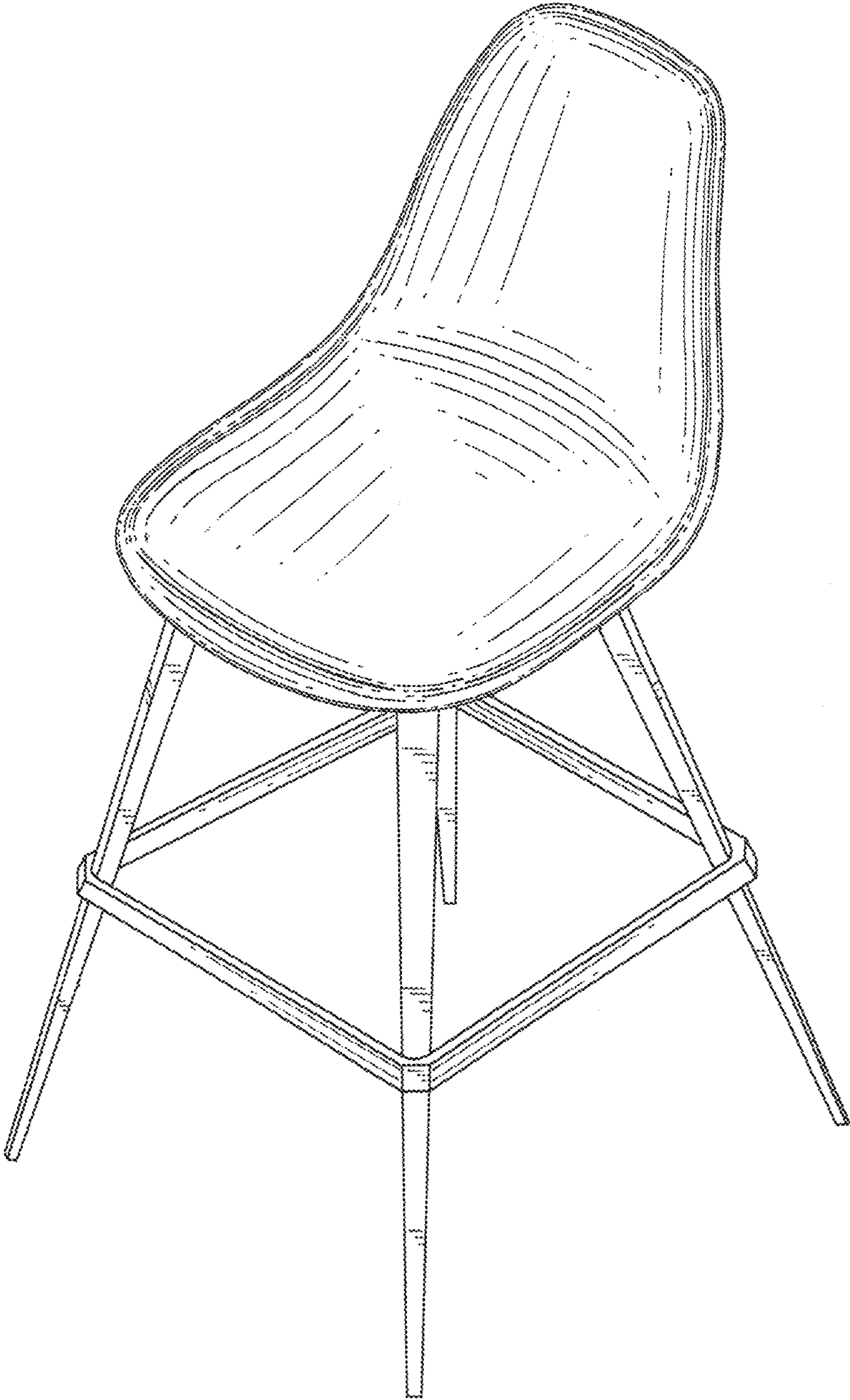


FIG. 1

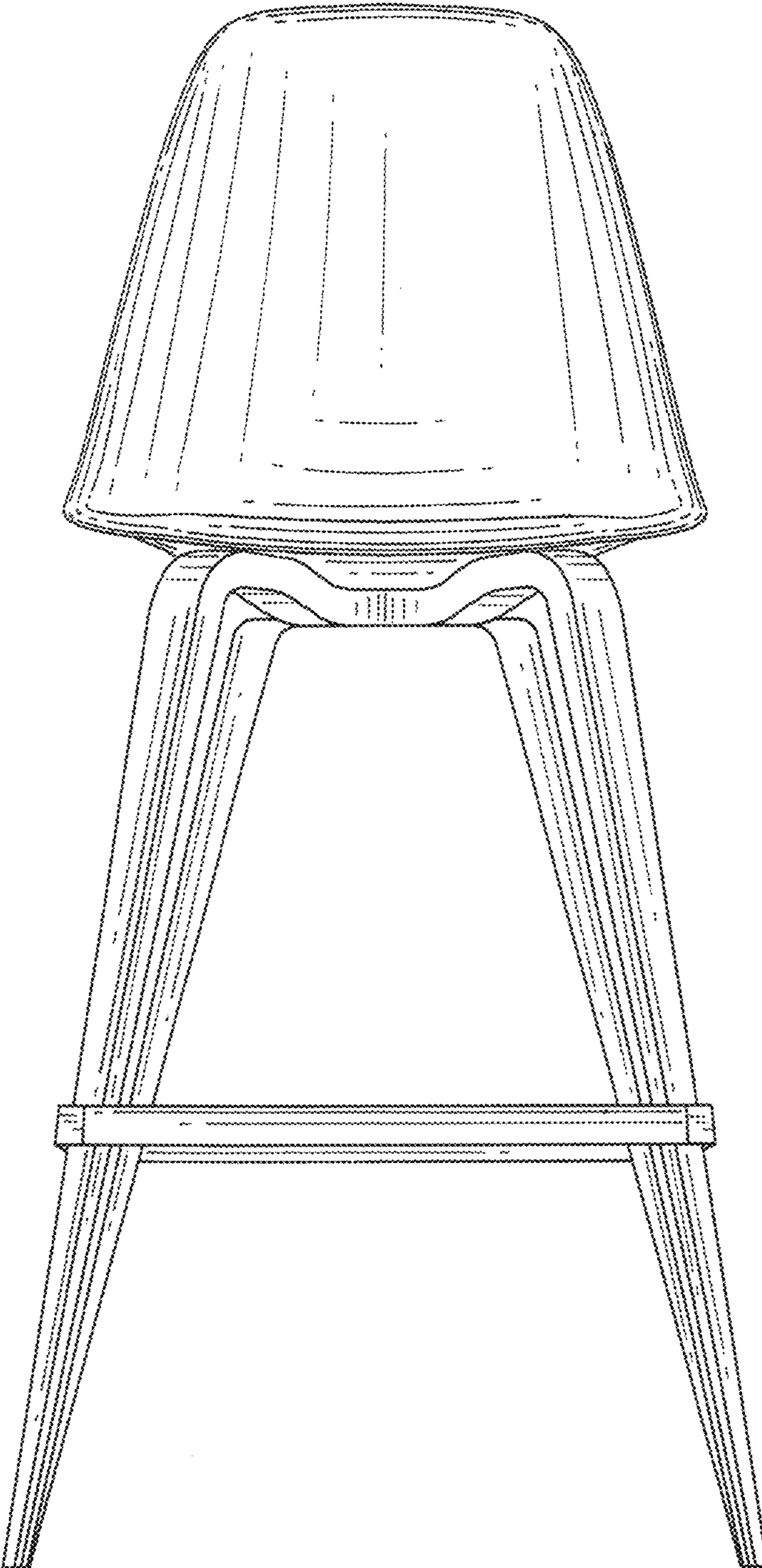


FIG. 2

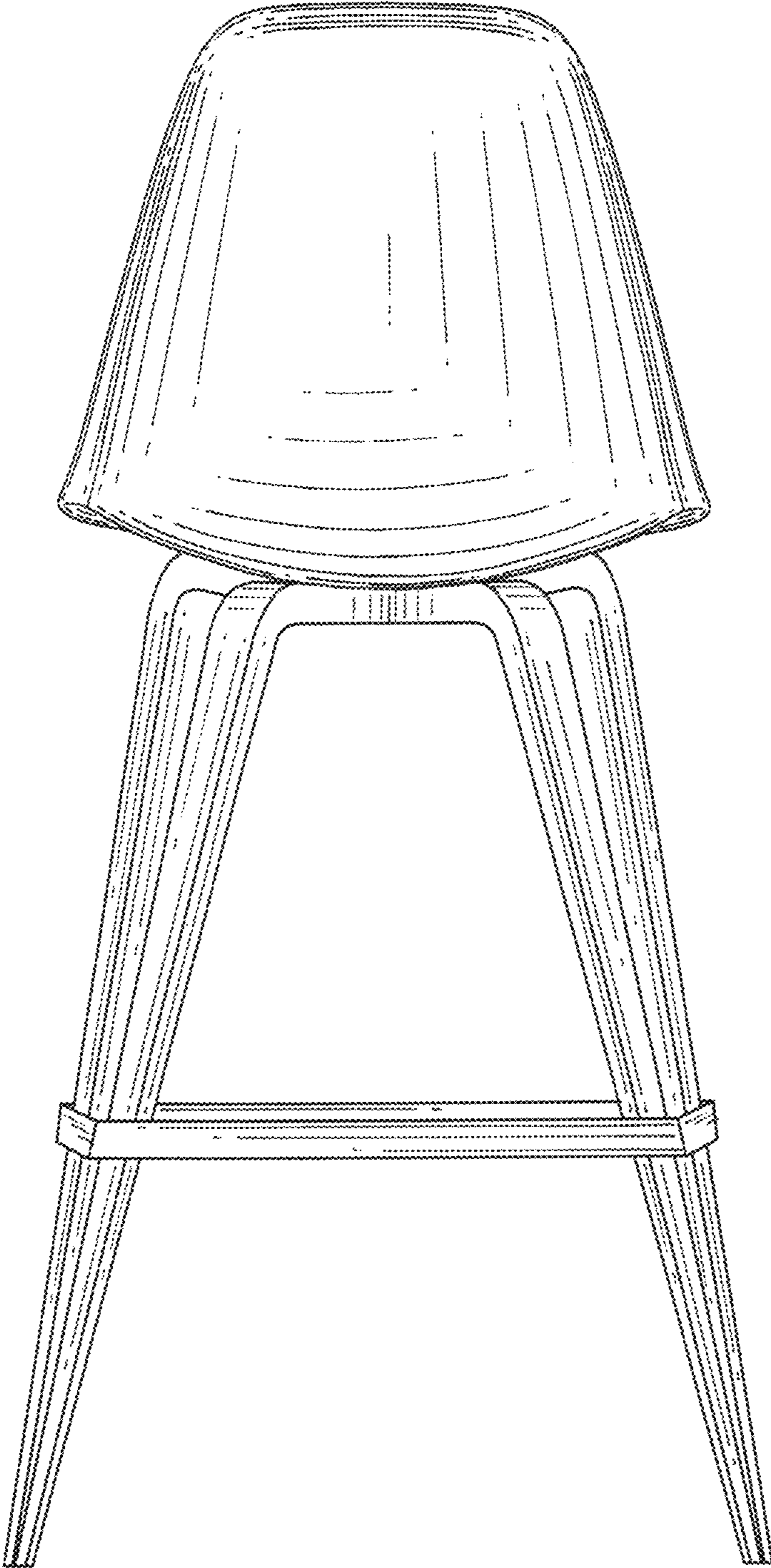


FIG. 3

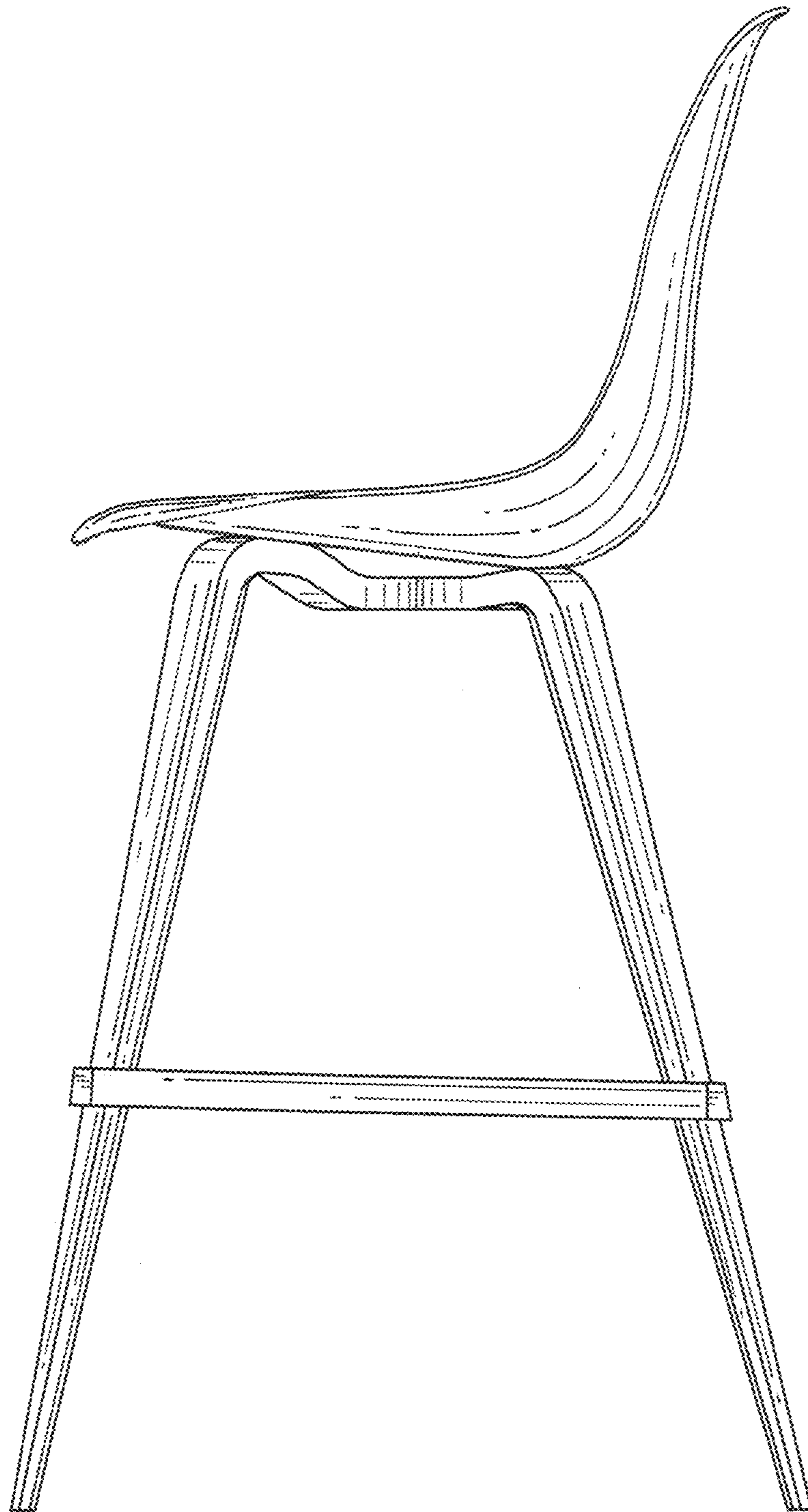


FIG. 4

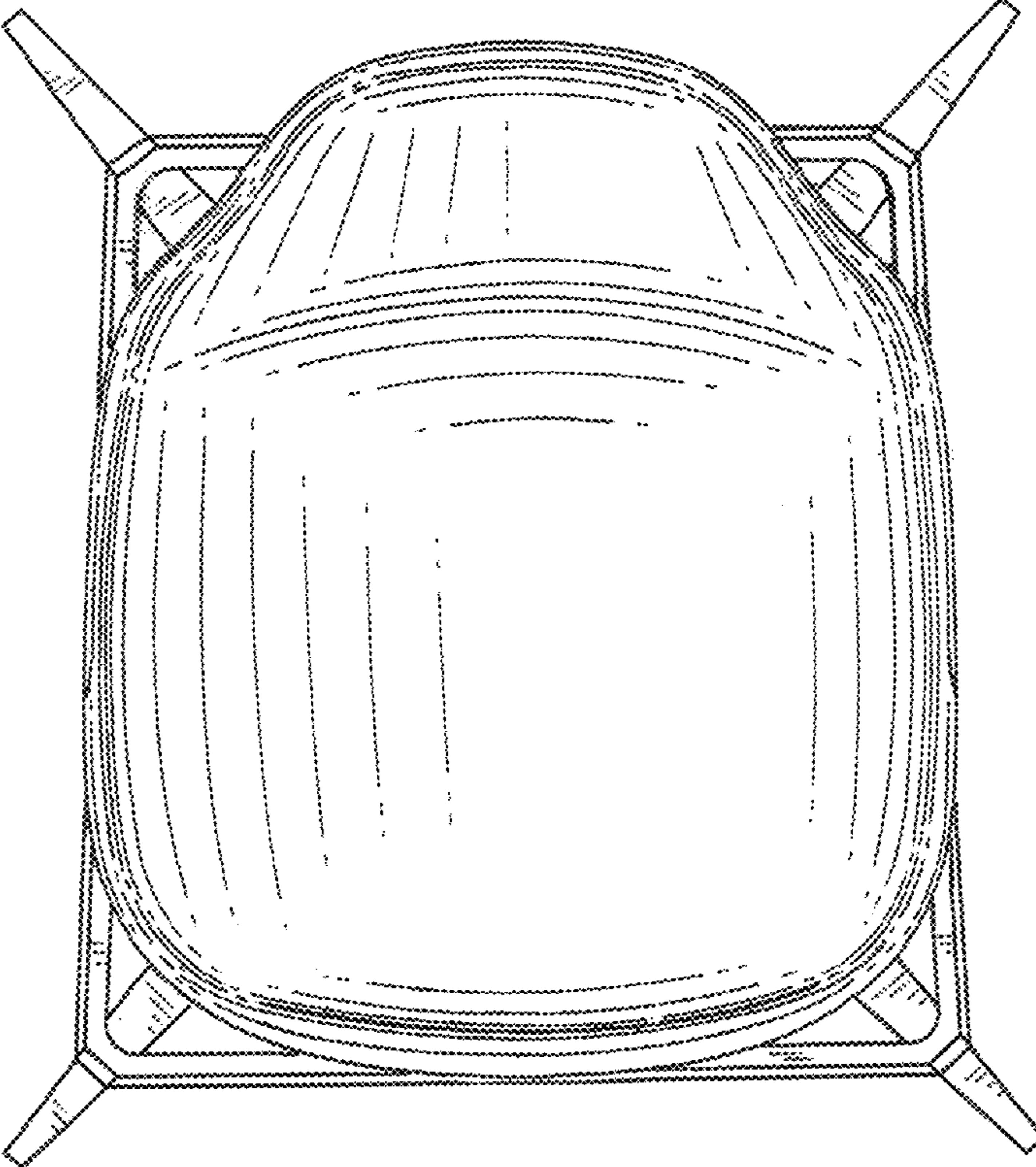


FIG. 5