



US00D877523S

(12) **United States Design Patent**
Andon

(10) **Patent No.:** **US D877,523 S**

(45) **Date of Patent:** **** Mar. 10, 2020**

- (54) **MODULAR PLAY SET**
- (71) Applicant: **Vuly Property Pty Ltd**, Wakerley (AU)
- (72) Inventor: **Joe Andon**, Gumdale (AU)
- (73) Assignee: **Vuly Property Pty Ltd.**, Wakerley (AU)
- (**) Term: **15 Years**
- (21) Appl. No.: **29/639,059**
- (22) Filed: **Mar. 2, 2018**
- (51) **LOC (12) Cl.** **06-02**
- (52) **U.S. Cl.**
USPC **D6/331**
- (58) **Field of Classification Search**
USPC D21/811, 812, 822-827; D6/331, 391
See application file for complete search history.

D483,429 S *	12/2003	Tseng	D21/823
D534,984 S *	1/2007	Nye	D21/818
D536,409 S *	2/2007	Nye	D21/822
D536,410 S *	2/2007	Nye	D21/822
D536,411 S *	2/2007	Nye	D21/822
D536,412 S *	2/2007	Nye	D21/823
D571,889 S *	6/2008	Goransson	D21/823
D664,622 S *	7/2012	Orsulak	D21/686
D664,624 S *	7/2012	Orsulak	D21/826
9,943,175 B1 *	4/2018	Spencer	A47D 13/08
10,092,113 B2 *	10/2018	Longenecker	A47D 5/006
D834,857 S *	12/2018	Peterson	D6/596
10,226,662 B1 *	3/2019	Mink	A63B 21/4029
D866,995 S *	11/2019	Perrin	D21/826
2014/0075670 A1 *	3/2014	Crumrine	A47D 7/002 5/99.1

* cited by examiner

Primary Examiner — Mitchell I. Siegel

(74) *Attorney, Agent, or Firm* — Bakos & Kritzer

(57) **CLAIM**

The ornamental design of a modular play set, as shown and described.

DESCRIPTION

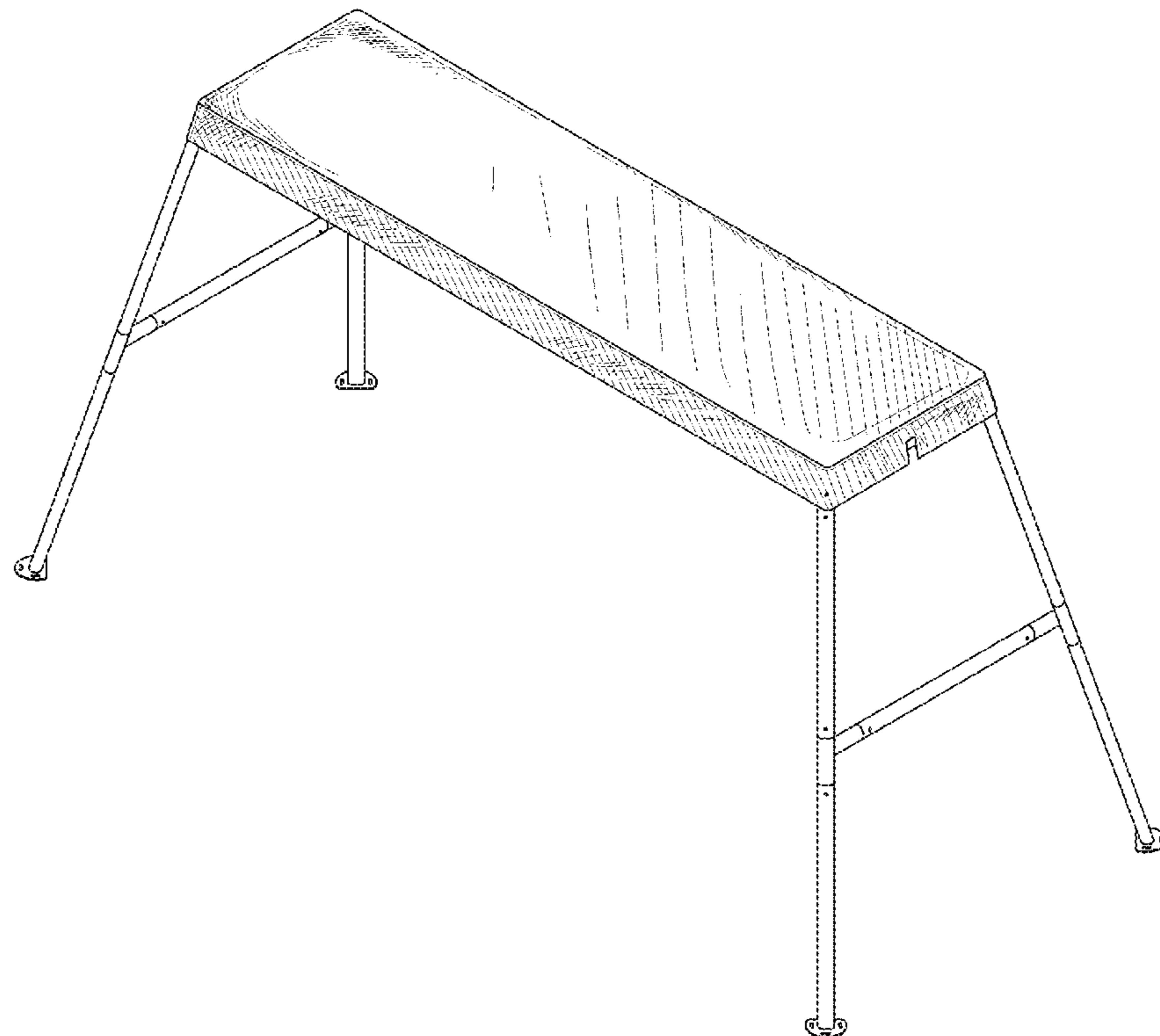
FIG. 1 is a perspective view of an embodiment of the modular play set;
 FIG. 2 is a front view of the embodiment of FIG. 1;
 FIG. 3 is a back view of the embodiment of FIG. 1;
 FIG. 4 is a top view of the embodiment of FIG. 1;
 FIG. 5 is a bottom view of the embodiment of FIG. 1; and,
 FIG. 6 is a left side view of the embodiment of FIG. 1.

1 Claim, 4 Drawing Sheets

(56) **References Cited**

U.S. PATENT DOCUMENTS

3,211,452 A *	10/1965	Ahrens	A63B 9/00 482/35
D208,630 S *	9/1967	Coblentz	D21/826
D224,245 S *	7/1972	Hock	
D263,983 S *	4/1982	Carlson	D21/826
D288,833 S *	3/1987	Skalka	D21/826
D300,342 S *	3/1989	Beatty	D21/826
D423,625 S *	4/2000	Sutton	D21/826
D479,569 S *	9/2003	Van Deusen	D21/827
D481,095 S *	10/2003	Van Deusen	D21/827
D481,779 S *	11/2003	Van Deusen	D21/827



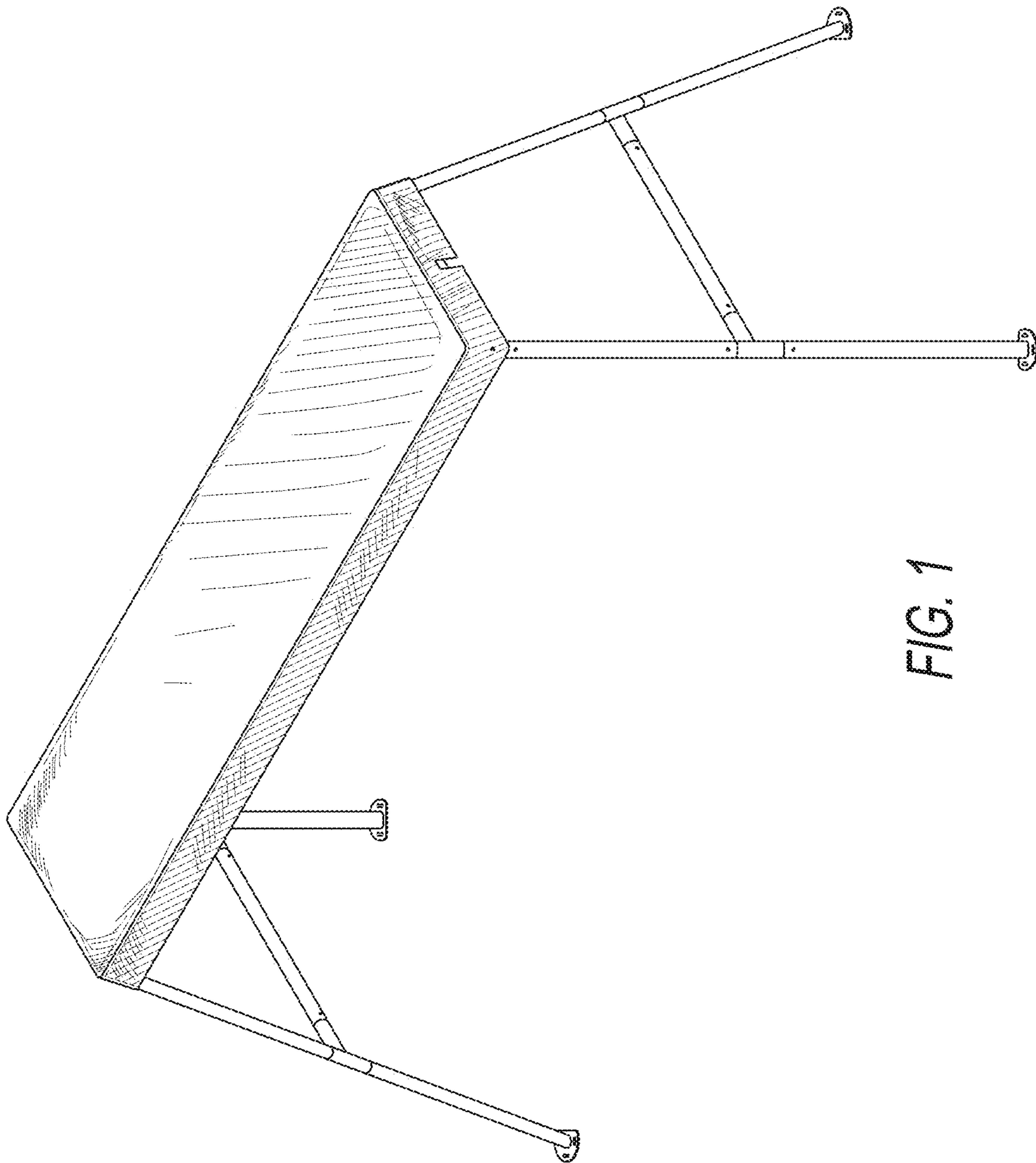


FIG. 1



FIG. 2

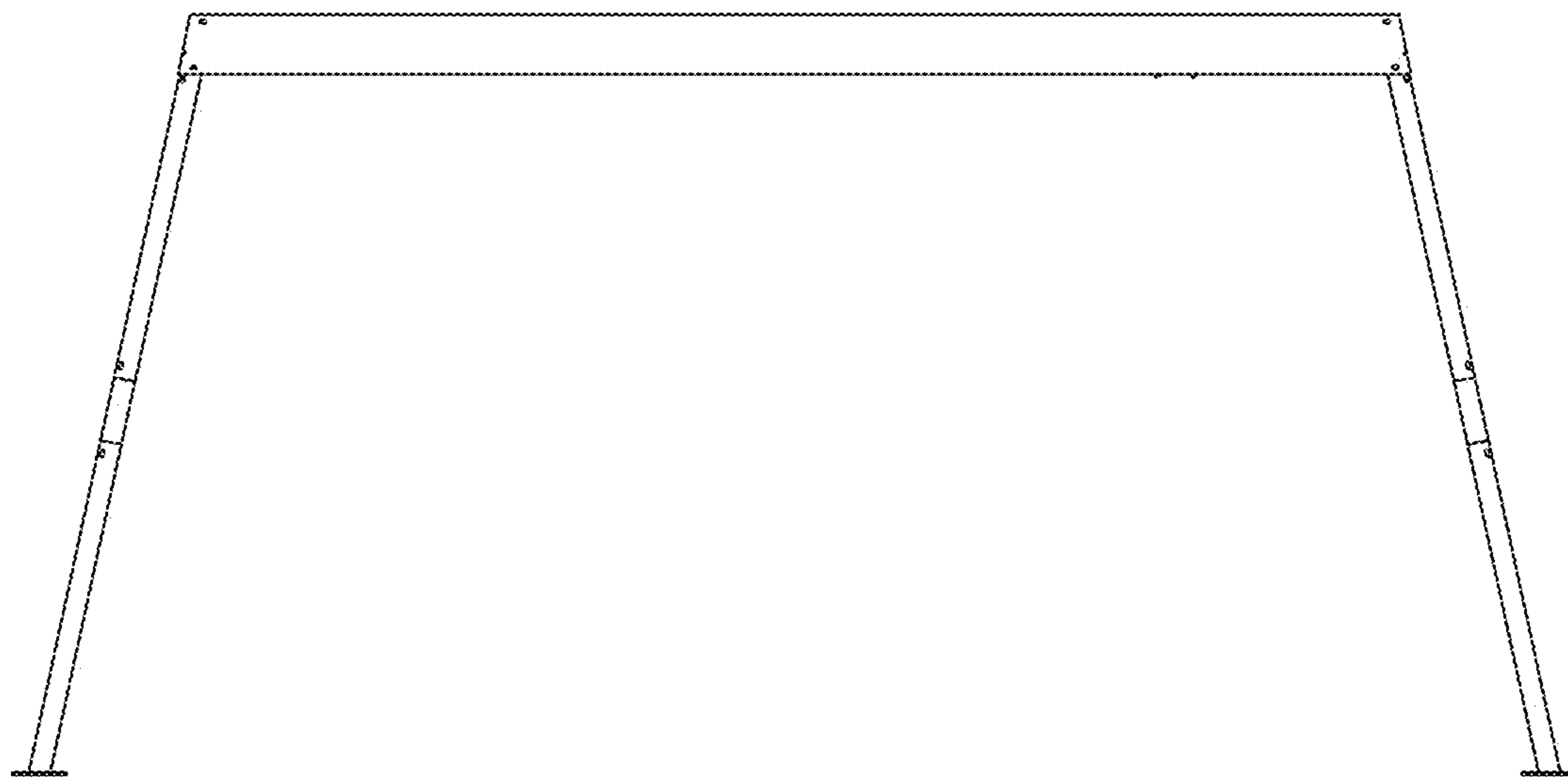


FIG. 3

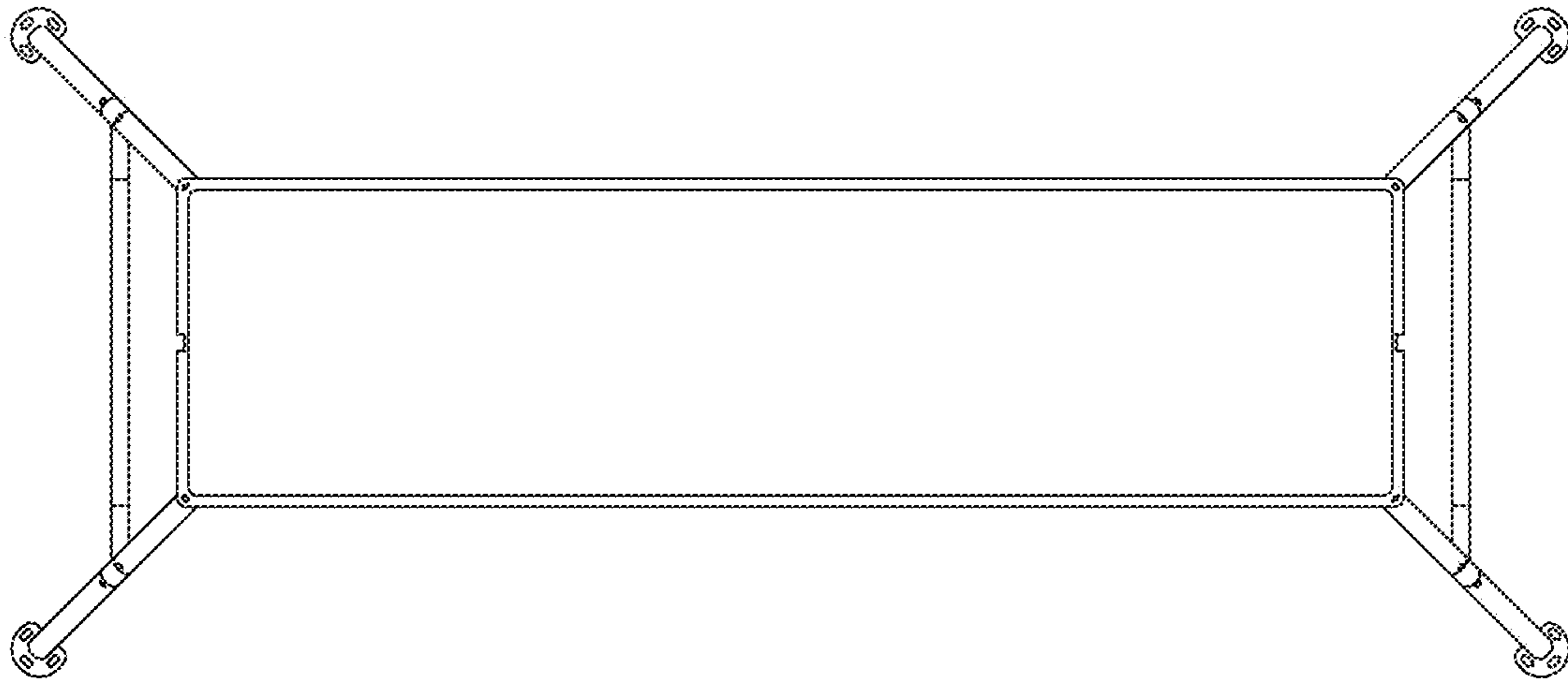


FIG. 4

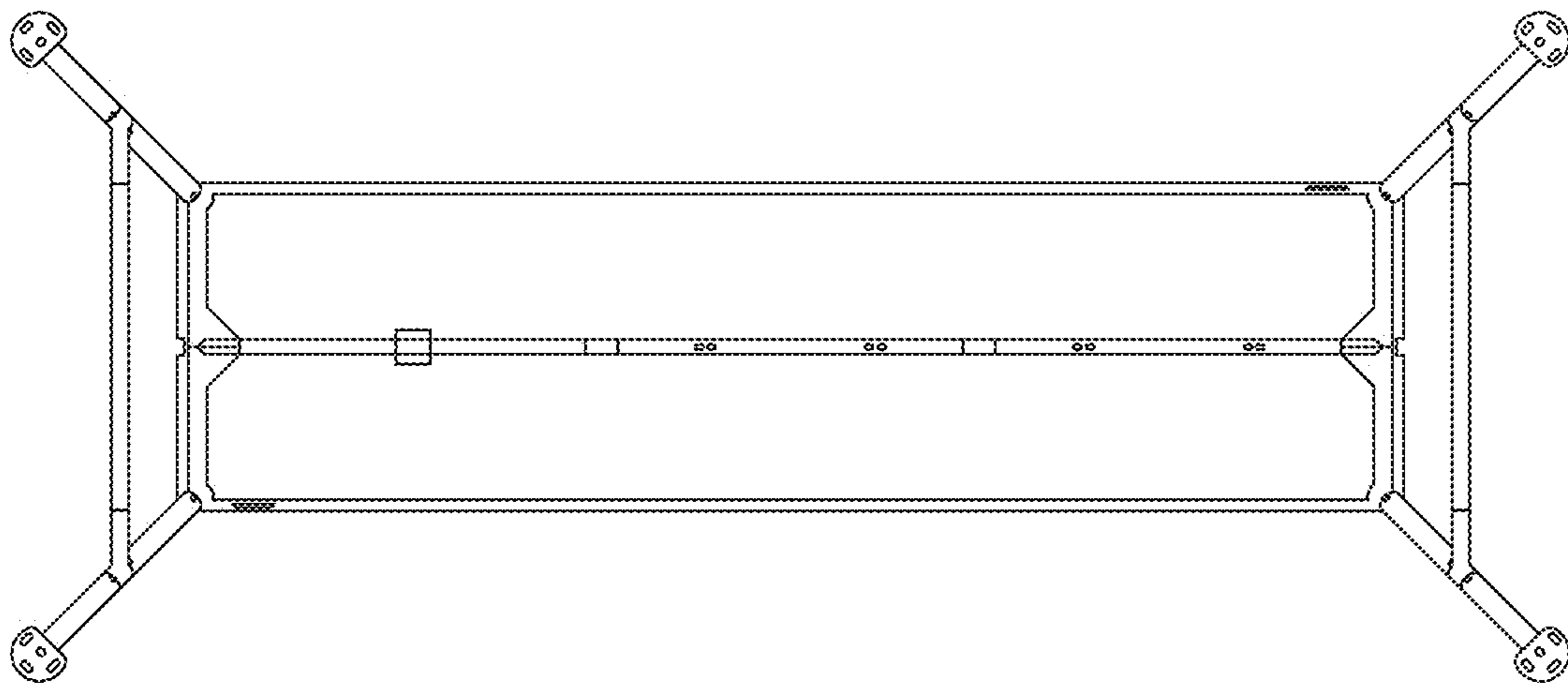


FIG. 5

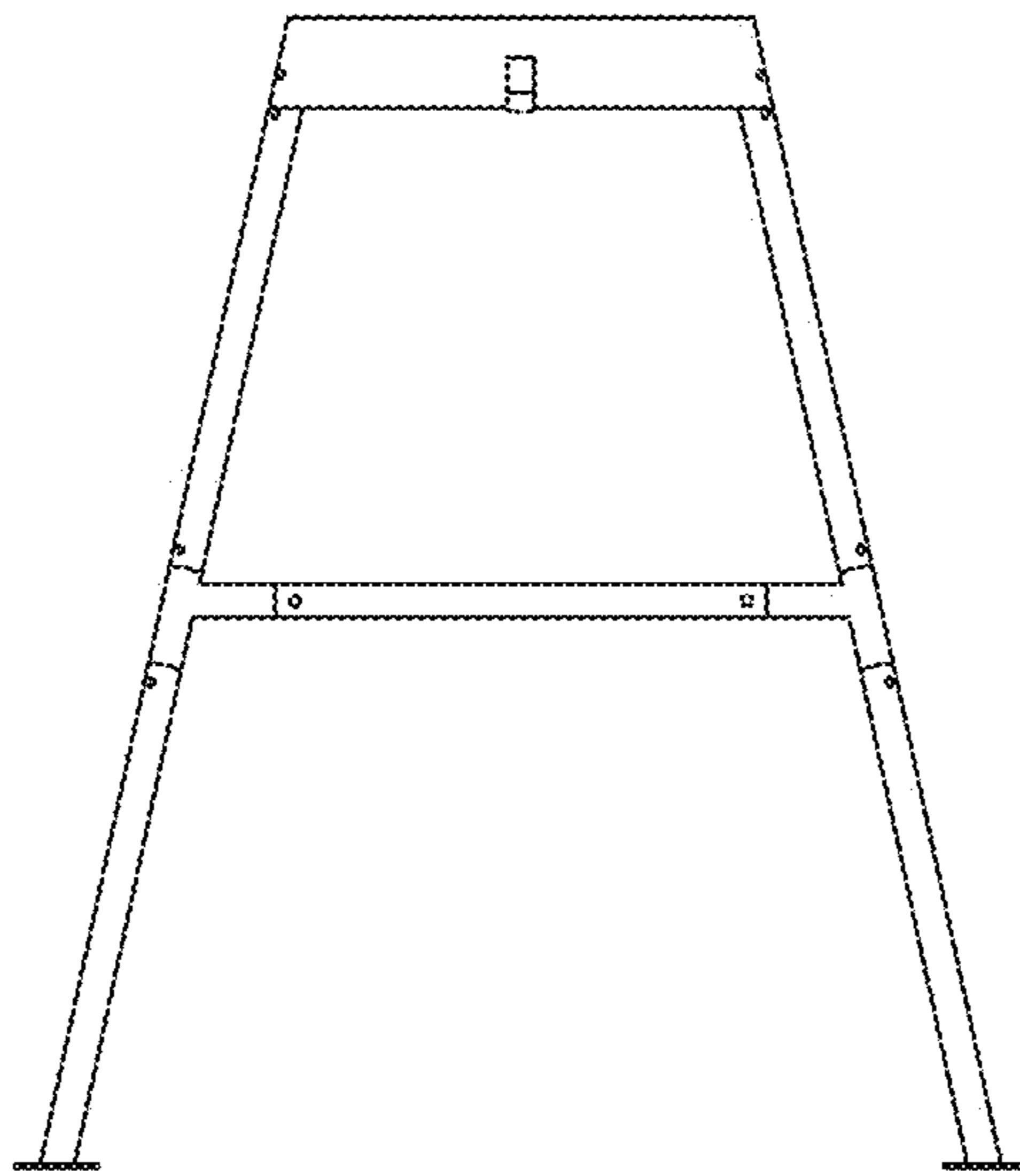


FIG. 6