

US00D877517S

(12) **United States Design Patent** (10) **Patent No.:** **US D877,517 S**
Okai (45) **Date of Patent:** **** Mar. 10, 2020**

(54) **ORAL CARE IMPLEMENT**
(71) Applicants: **COLGATE-PALMOLIVE COMPANY**, New York, NY (US);
OMRON HEALTHCARE CO., LTD.,
Kyoto (JP)

D657,565 S * 4/2012 Gebski D4/101
D669,687 S * 10/2012 Heil D4/101
D673,775 S * 1/2013 Jimenez D4/101
D674,608 S * 1/2013 Jimenez D4/101
D676,660 S * 2/2013 Crossman D4/101
D676,661 S * 2/2013 Jimenez D4/101

(Continued)

(72) Inventor: **Takahide Okai**, Highland Park, NJ
(US)

FOREIGN PATENT DOCUMENTS

(73) Assignees: **Colgate-Palmolive Company**, New
York, NY (US); **Omron Healthcare
Co., Ltd.**, Kyoto (JP)

JP 2009125080 6/2009
WO WO2015164486 10/2015

(**) Term: **15 Years**

OTHER PUBLICATIONS

(21) Appl. No.: **29/615,822**

Colgate® 360°® Total® Advanced Floss-Tip† Bristles Toothbrush,
<http://www.colgatetotal.com/toothbrushes/360-floss-tip>, date unknown
but downloaded from the Internet prior to the date of the subject
application, 3 pp.

(22) Filed: **Aug. 31, 2017**

Primary Examiner — Michael C Stout
Assistant Examiner — Katrina N Gonzalez

Related U.S. Application Data

(62) Division of application No. 29/547,151, filed on Dec.
1, 2015, now Pat. No. Des. 799,218.

(57) **CLAIM**

(51) **LOC (12) Cl.** **04-02**

The ornamental design for an oral care implement, as shown
and described.

(52) **U.S. Cl.**
USPC **D4/104**

DESCRIPTION

(58) **Field of Classification Search**
USPC D4/100–102, 104–113, 116, 117,
D4/119–121, 127, 128, 130–138, 199
See application file for complete search history.

FIG. 1 is a front right perspective view of an oral care
implement according to the new design;
FIG. 2 is a rear left perspective view thereof;
FIG. 3 is a front view thereof;
FIG. 4 is a rear view thereof;
FIG. 5 is a right side view thereof;
FIG. 6 is a left side view thereof;
FIG. 7 is a top view thereof; and,
FIG. 8 is a bottom view thereof.

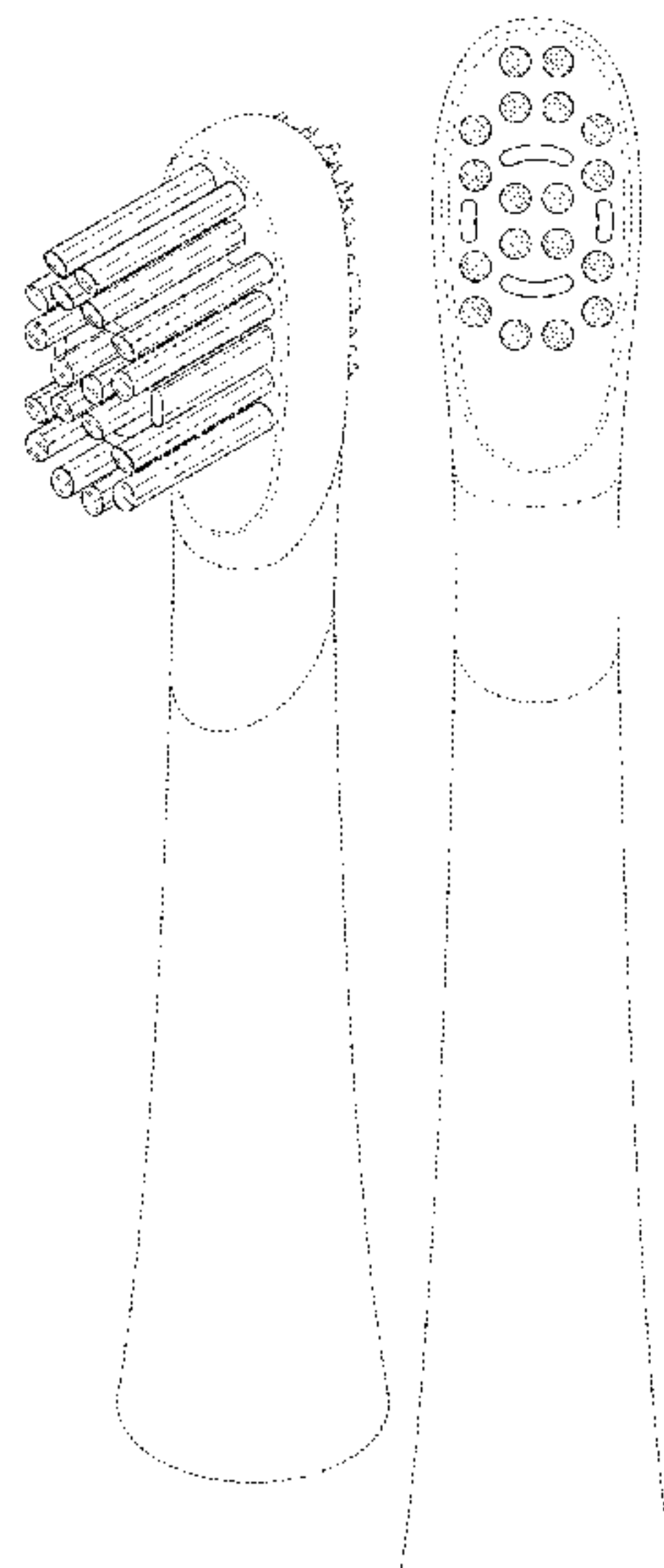
(56) **References Cited**

U.S. PATENT DOCUMENTS

6,766,548 B1 7/2004 Lukas et al.
D503,043 S * 3/2005 Engelmohr D4/104
6,920,659 B2 7/2005 Cacka et al.
D611,712 S * 3/2010 Stoerker D4/104
D632,894 S 2/2011 Shigeno et al.
D644,439 S 9/2011 Shigeno et al.
D652,626 S * 1/2012 Gebski D4/101
D653,035 S * 1/2012 Gebski D4/101

The broken lines shown in the drawings illustrate portions of
the oral care implement that form no part of the claimed
design.

1 Claim, 4 Drawing Sheets



(56)

References Cited

U.S. PATENT DOCUMENTS

D676,662	S *	2/2013	Jimenez	D4/101
8,453,285	B2	6/2013	Dickie		
D688,045	S *	8/2013	Key	D4/101
D696,029	S	12/2013	Seyler		
D702,946	S	4/2014	Shigeno et al.		
8,800,091	B2	8/2014	Hohlbein		
D715,057	S *	10/2014	Adriaenssen	D4/101
D724,845	S	3/2015	Yoshida et al.		
D734,613	S	7/2015	Yoshida et al.		
D747,609	S *	1/2016	Watkins	D4/101
D759,380	S *	6/2016	Watkins	D4/101
D759,383	S *	6/2016	Watkins	D4/101
D769,626	S *	10/2016	Bloch	D4/101
D774,773	S *	12/2016	Sedic	D4/101
D775,835	S *	1/2017	Yoshida	D4/101
D793,735	S *	8/2017	Zavalloni	D4/101
D794,336	S *	8/2017	Zavalloni	D4/101
D799,218	S *	10/2017	Okai	D4/104
D799,835	S *	10/2017	Okai	D4/101
D805,306	S *	12/2017	Massee	D4/101
D830,699	S *	10/2018	Liu	D4/101
D837,527	S *	1/2019	Wainless	D4/104
D839,600	S *	2/2019	Bloch	D4/101
D845,632	S *	4/2019	Sedic	D4/101
D851,938	S *	6/2019	Bloch	D4/101
2012/0266397	A1	10/2012	Iwahori		
2013/0198980	A1	8/2013	Iwahori et al.		
2014/0123414	A1	5/2014	Okazaki		
2014/0366289	A1	12/2014	Shimoyama et al.		
2019/0175319	A1 *	6/2019	Bloch	A61C 17/222
2019/0175320	A1 *	6/2019	Bloch	A46B 3/22
2019/0175322	A1 *	6/2019	Bloch	A46B 5/0095

* cited by examiner

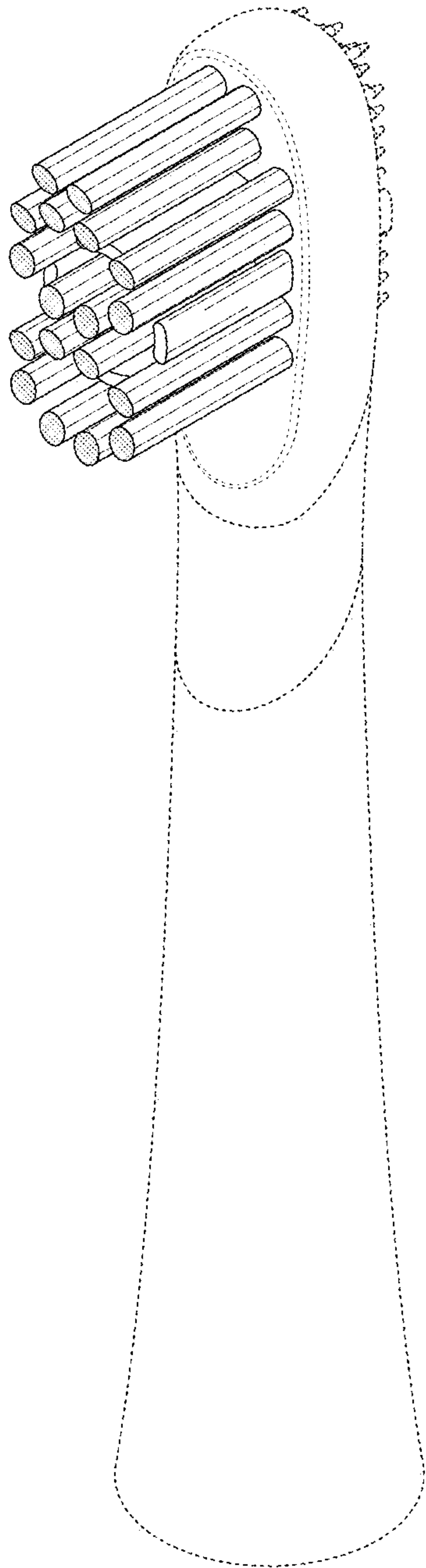


FIG. 1

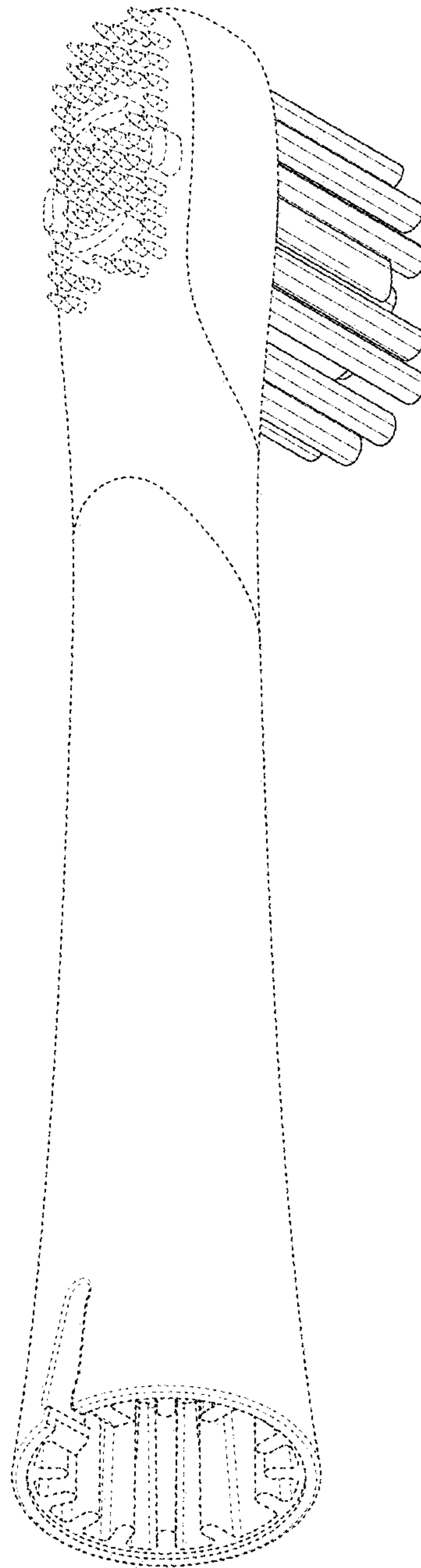


FIG. 2

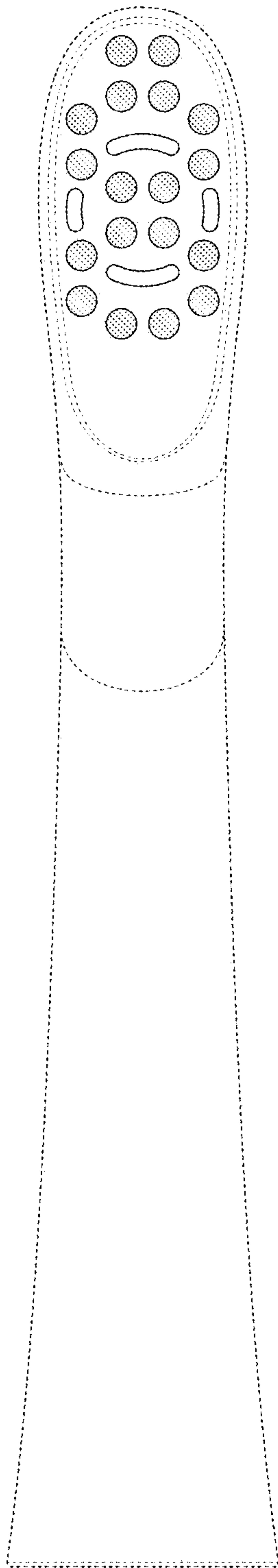


FIG. 3

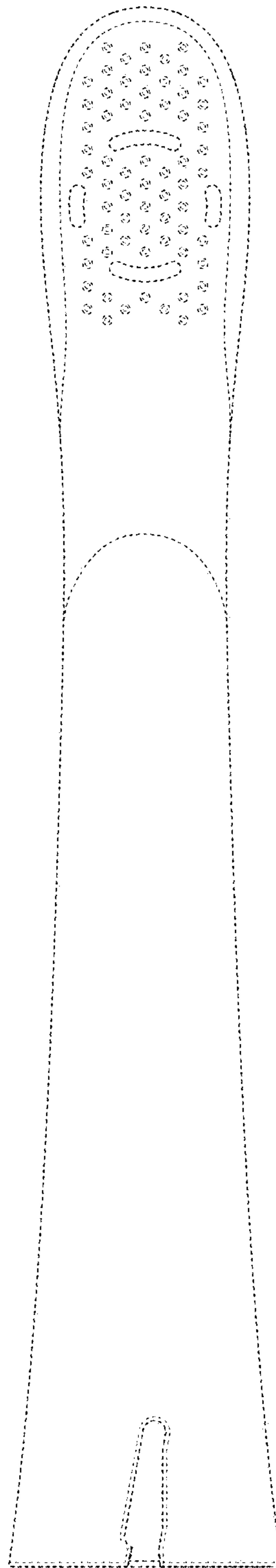


FIG. 4

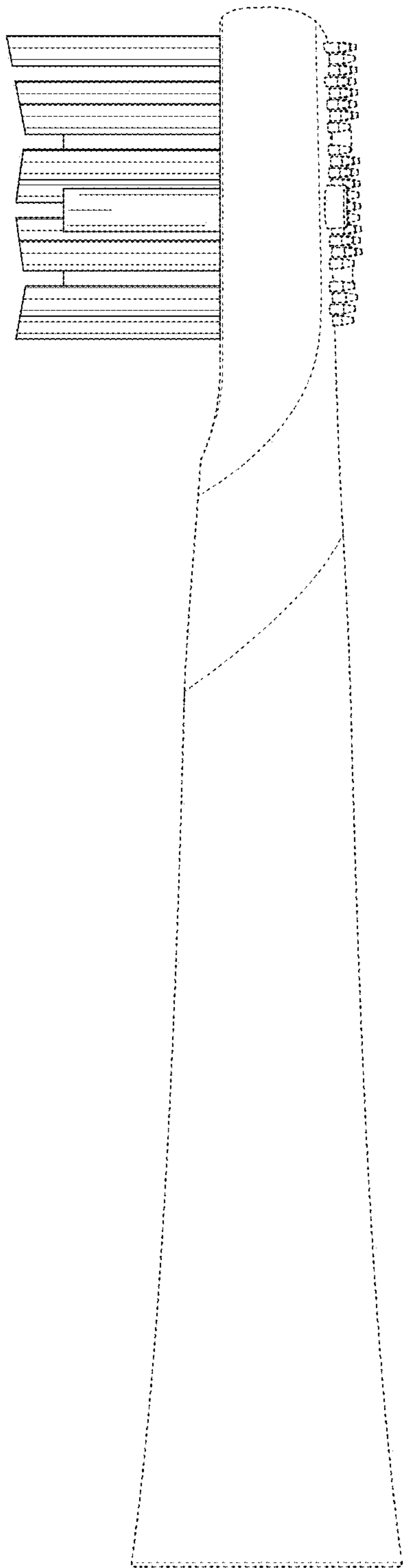


FIG. 5

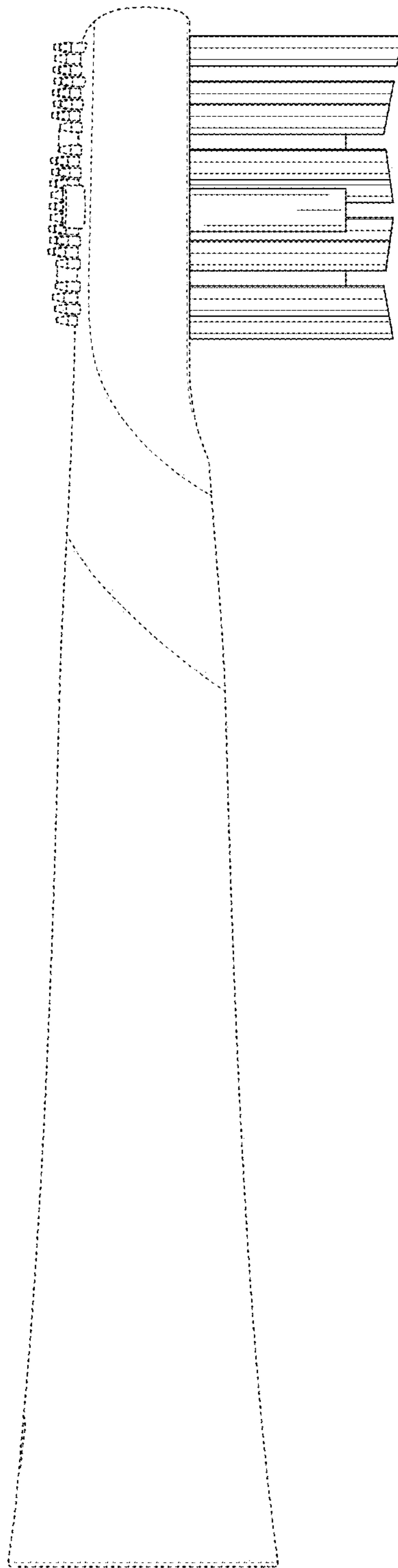


FIG. 6

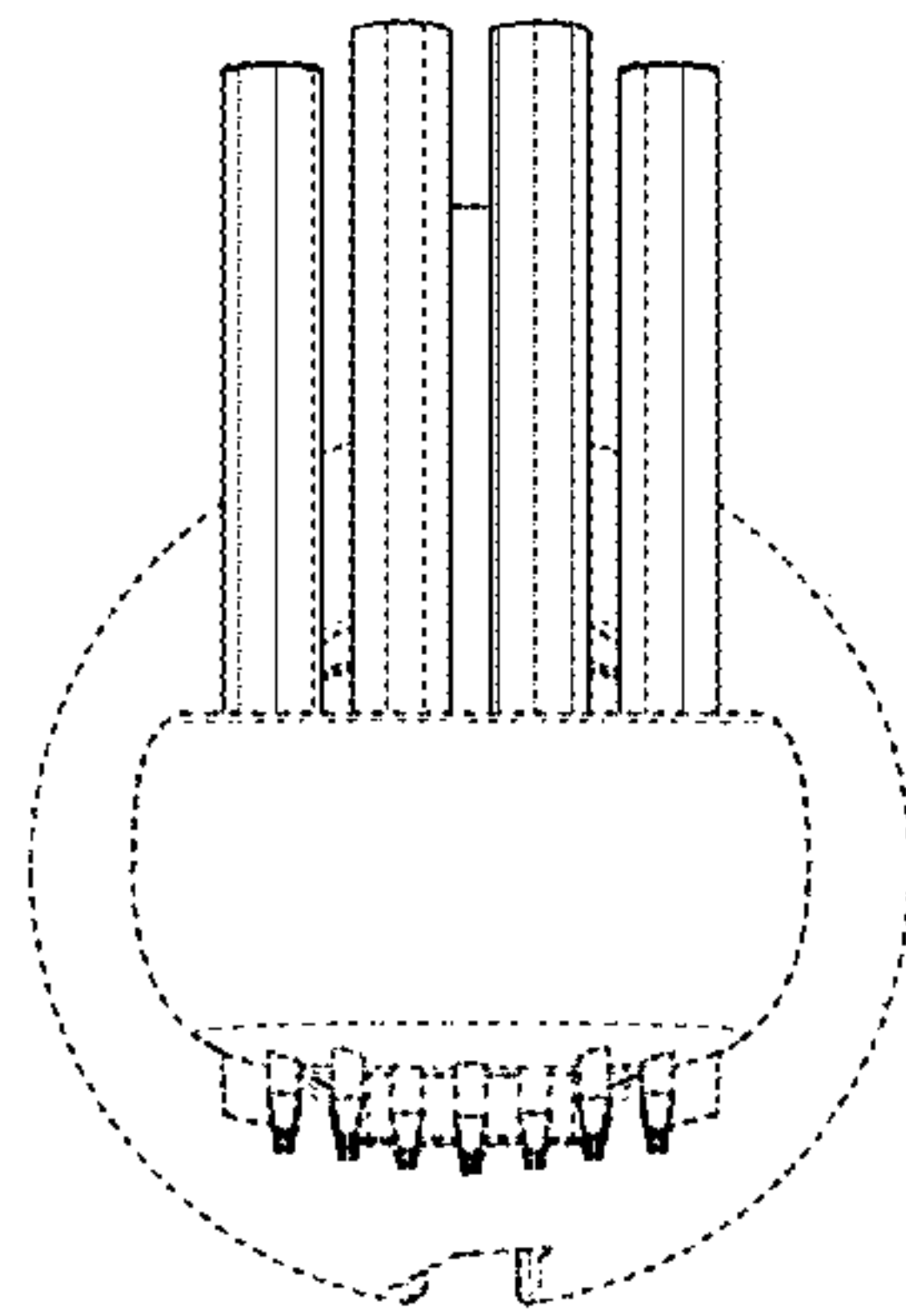


FIG. 7

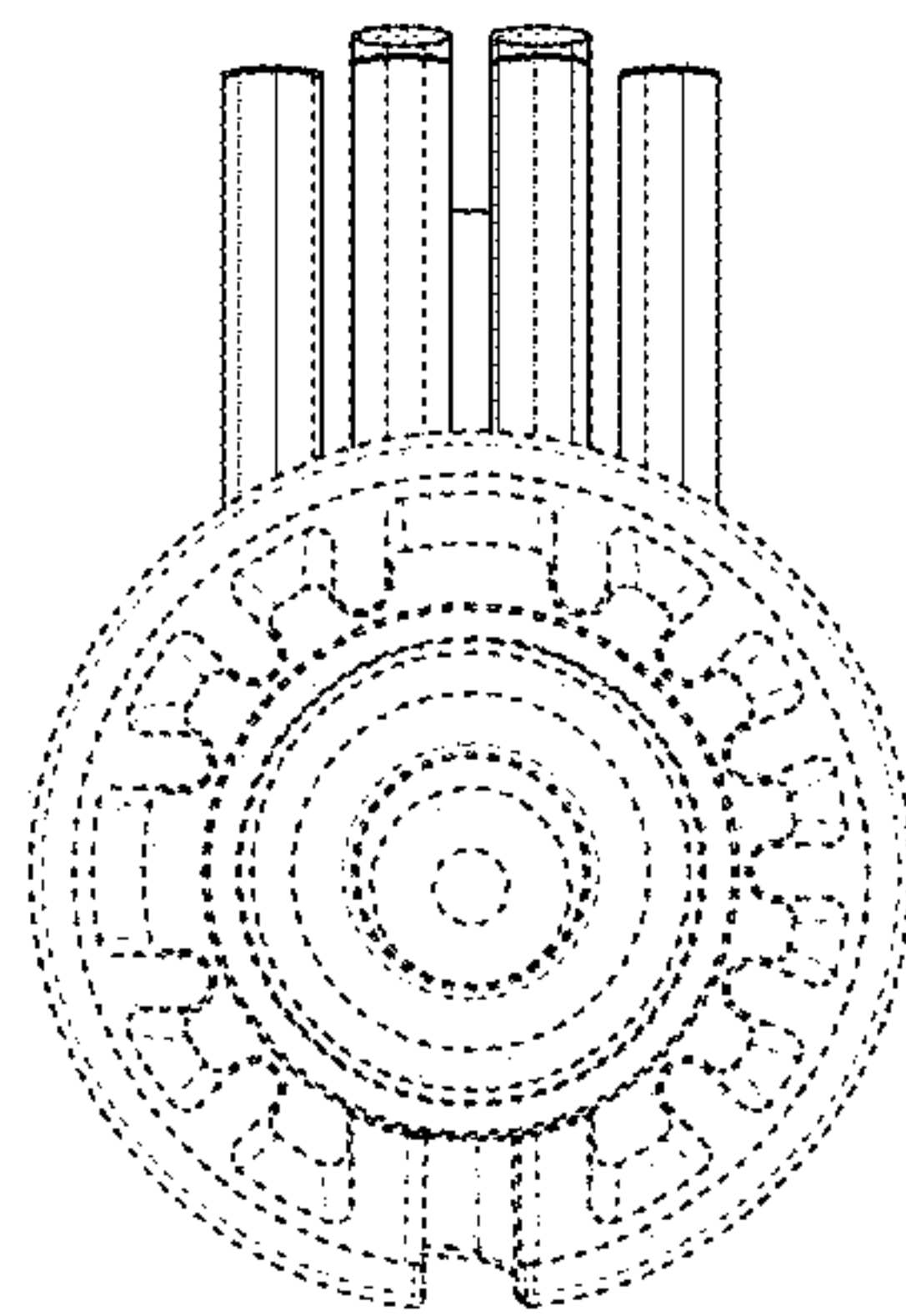


FIG. 8