

US00D877516S

(12) **United States Design Patent**
Juras

(10) **Patent No.:** **US D877,516 S**
(45) **Date of Patent:** **** Mar. 10, 2020**

(54) **VEST STRAP**
(71) Applicant: **Megan Diane Juras**, Dutton, MT (US)
(72) Inventor: **Megan Diane Juras**, Dutton, MT (US)

7,282,044 B2 10/2007 Hudson et al.
7,810,172 B2 10/2010 Williams
8,763,562 B2 7/2014 Fladl et al.
8,807,412 B2 8/2014 Thomas et al.
D778,051 S * 2/2017 Johnson D3/318
(Continued)

(**) Term: **15 Years**

FOREIGN PATENT DOCUMENTS

(21) Appl. No.: **29/664,995**

EP 0075753 B1 1/1985

(22) Filed: **Sep. 28, 2018**

Primary Examiner — Holly H Baynham

(51) **LOC (12) Cl.** **03-01**

(74) *Attorney, Agent, or Firm* — Sarah J. Rhoades

(52) **U.S. Cl.**
USPC **D3/327; D3/318**

(57) **CLAIM**

(58) **Field of Classification Search**
USPC D3/327, 318; D24/128
CPC .. B63C 9/08; B63C 9/11; B63C 9/115; A41D
13/1245

The ornamental design for a vest strap, as shown and described.

DESCRIPTION

See application file for complete search history.

FIG. 1 is a rear isometric view of the new design for a vest strap in a closed configuration;
FIG. 2 is a rear view of the new design for a vest strap worn by a seated child;
FIG. 3 is a front isometric view of the new design for a vest strap in a closed configuration;
FIG. 4 is a rear view thereof;
FIG. 5 is a front view thereof;
FIG. 6 is a first side view thereof;
FIG. 7 is second side view thereof;
FIG. 8 is a top view thereof;
FIG. 9 is a bottom view thereof;
FIG. 10 is a front isometric view of the vest strap in a partially open configuration.
FIG. 11 is a front view of the vest strap laid open and chest panels separated; and,
FIG. 12 is a rear view of the vest strap laid open and chest panels separated.

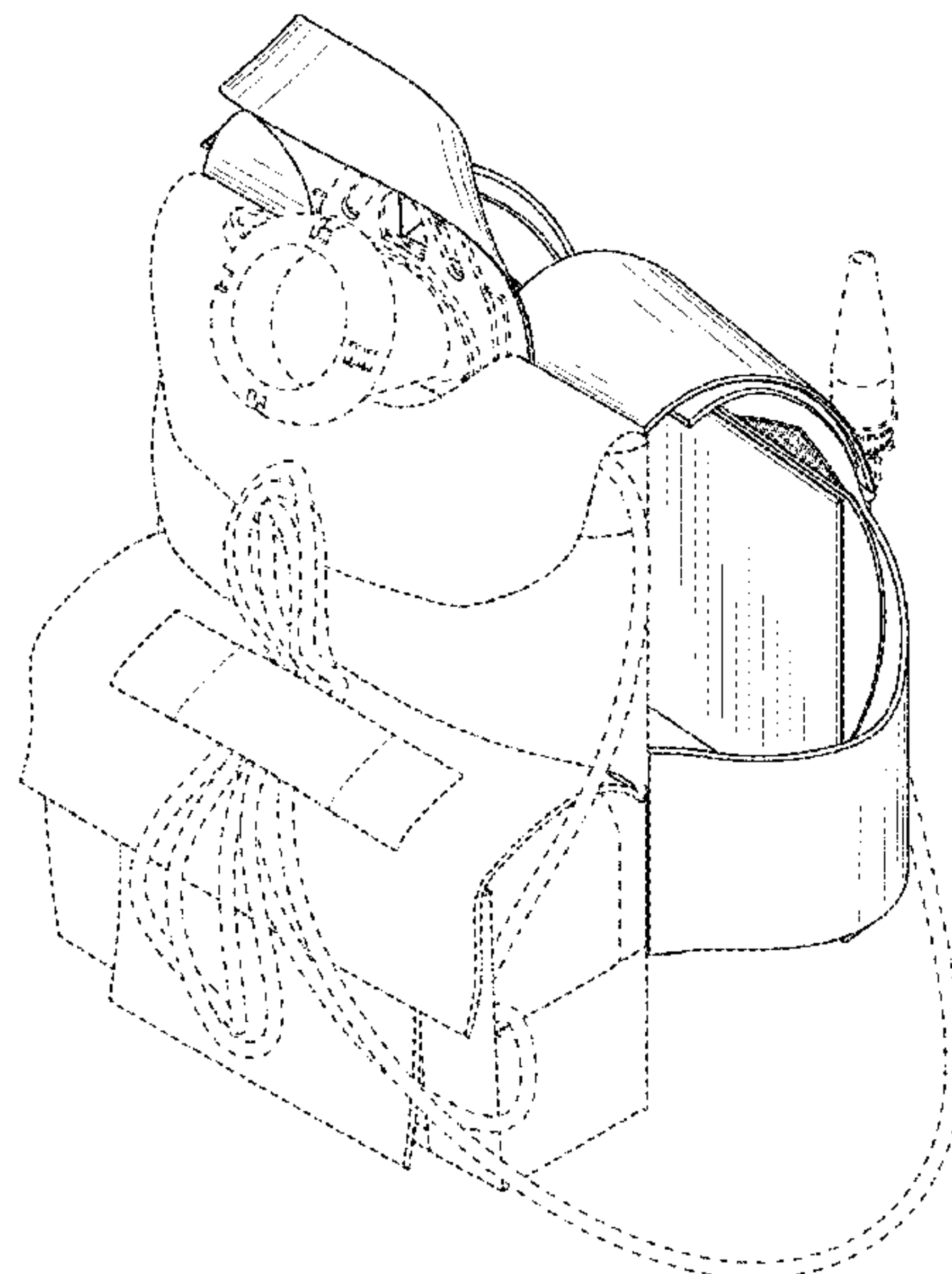
(56) **References Cited**

U.S. PATENT DOCUMENTS

4,087,864 A 5/1978 LaBove et al.
4,530,349 A 7/1985 Metzger
4,574,798 A 3/1986 Heitzman
4,688,270 A 8/1987 Denicola et al.
4,998,654 A 3/1991 Bruzek et al.
5,048,122 A 9/1991 Prieur
5,075,900 A 12/1991 Chittenden
5,336,195 A 8/1994 Daneshvar
5,369,804 A 12/1994 Metcalf
D362,752 S * 10/1995 Steurer 224/627
5,676,294 A 10/1997 Eklund et al.
5,755,698 A 5/1998 Kagan et al.
5,806,096 A 9/1998 Pennington
5,909,802 A 6/1999 Puco et al.
6,032,289 A 3/2000 Villapiano
6,336,222 B1 1/2002 Ware
D455,009 S * 4/2002 Thayer D3/316
6,681,404 B1 1/2004 Adlard et al.
D499,553 S * 12/2004 Millard D3/327
D502,803 S * 3/2005 Racov D3/228

The broken line showing of a child, tubing, a pump, milk bags, and backpack arrangement are included for the purpose of showing environmental context and forms no part of the claimed design.

1 Claim, 12 Drawing Sheets



(56)

References Cited

U.S. PATENT DOCUMENTS

D778,615 S *	2/2017	Georges	D3/216
2005/0224534 A1	10/2005	Hudson et al.	
2006/0253953 A1	11/2006	Williams	
2009/0054844 A1	2/2009	Alyea et al.	
2009/0272773 A1	11/2009	Andrade	
2010/0282807 A1	11/2010	Sisk et al.	
2010/0325772 A1	12/2010	Fladl et al.	
2013/0055483 A1	3/2013	Moreno	
2013/0313284 A1	11/2013	Wang	
2015/0237933 A1	8/2015	Abshire	
2015/0265352 A1	9/2015	Johnson	
2017/0049166 A1	2/2017	Shorter	

* cited by examiner

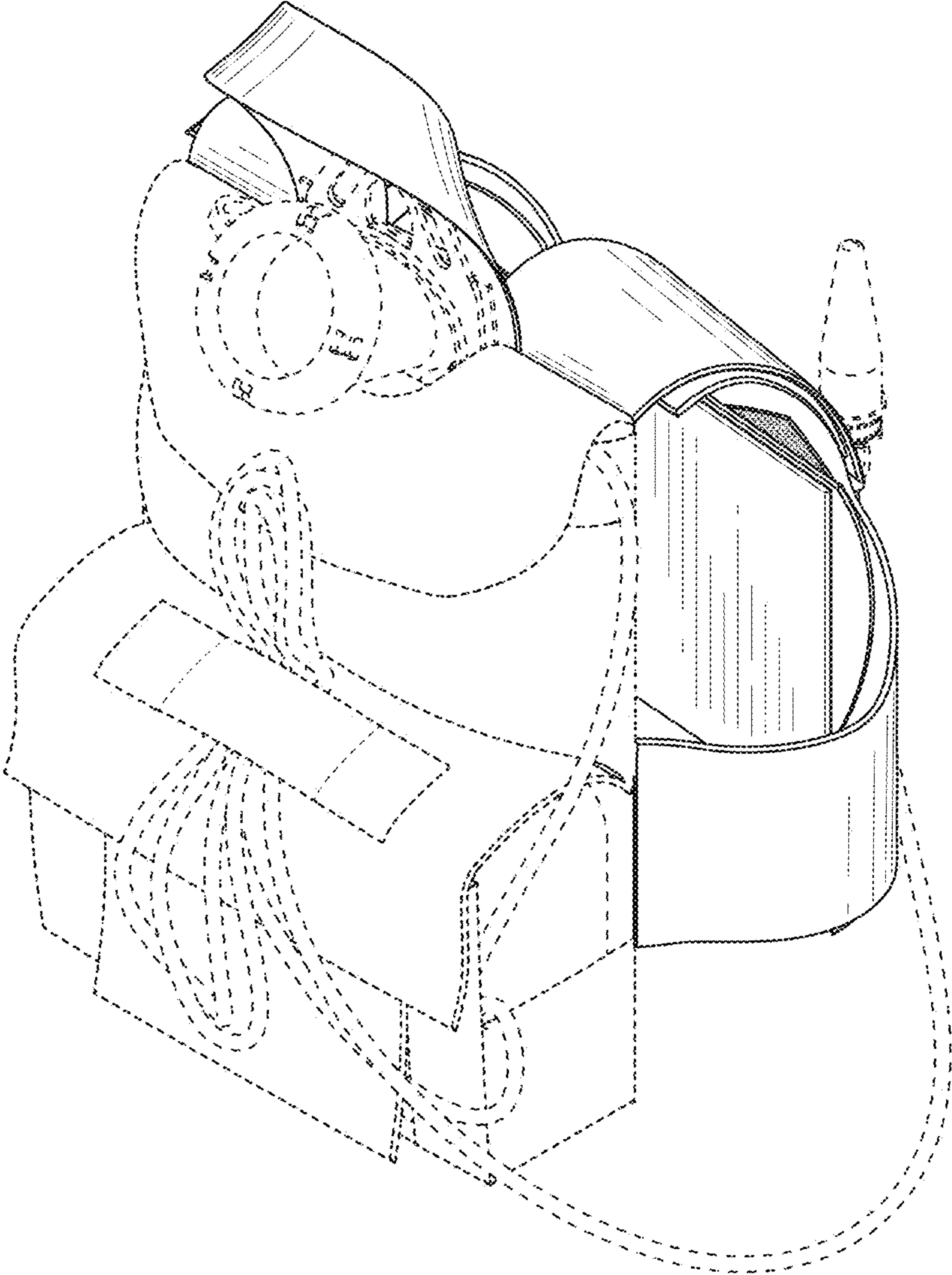


FIG. 1

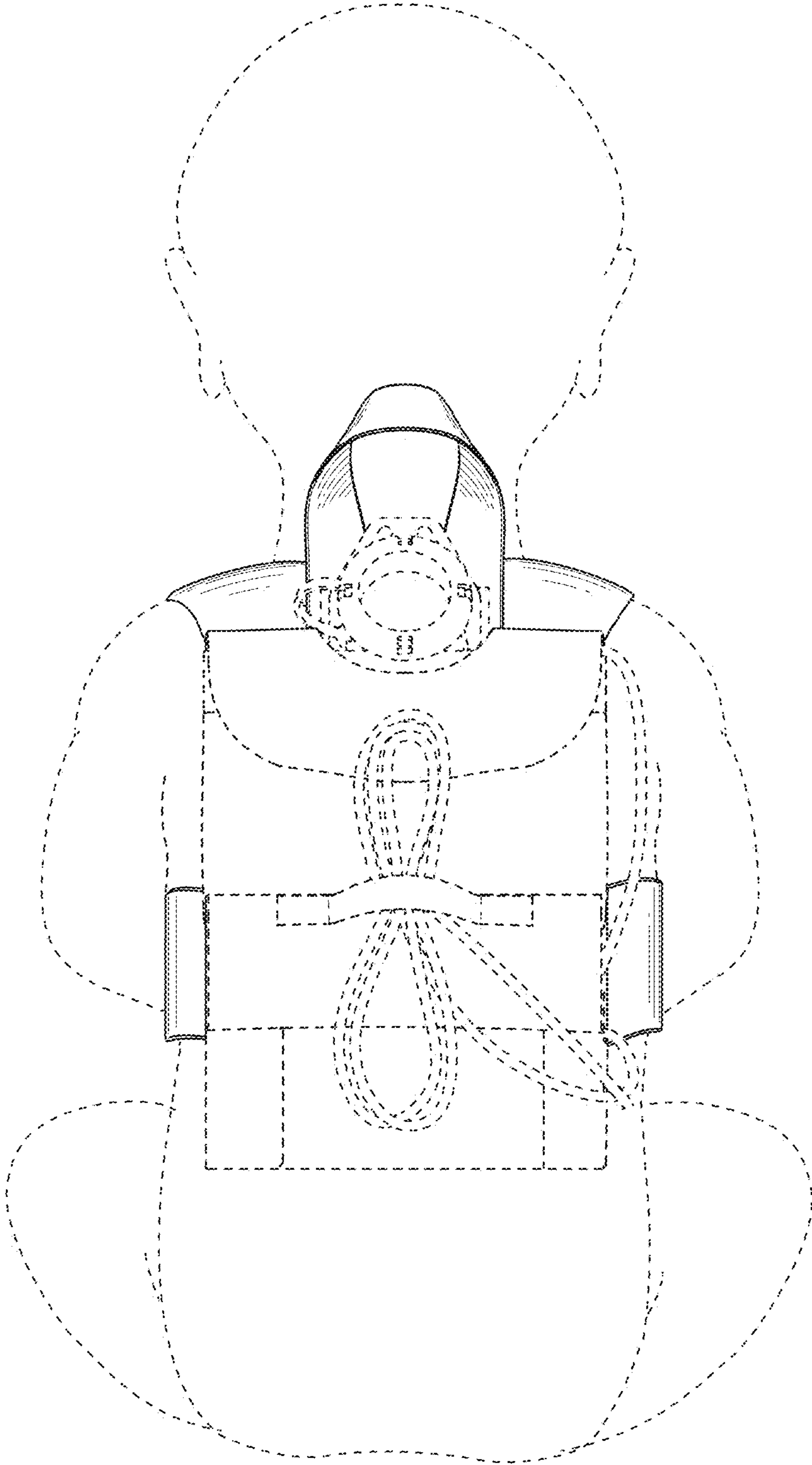


FIG. 2

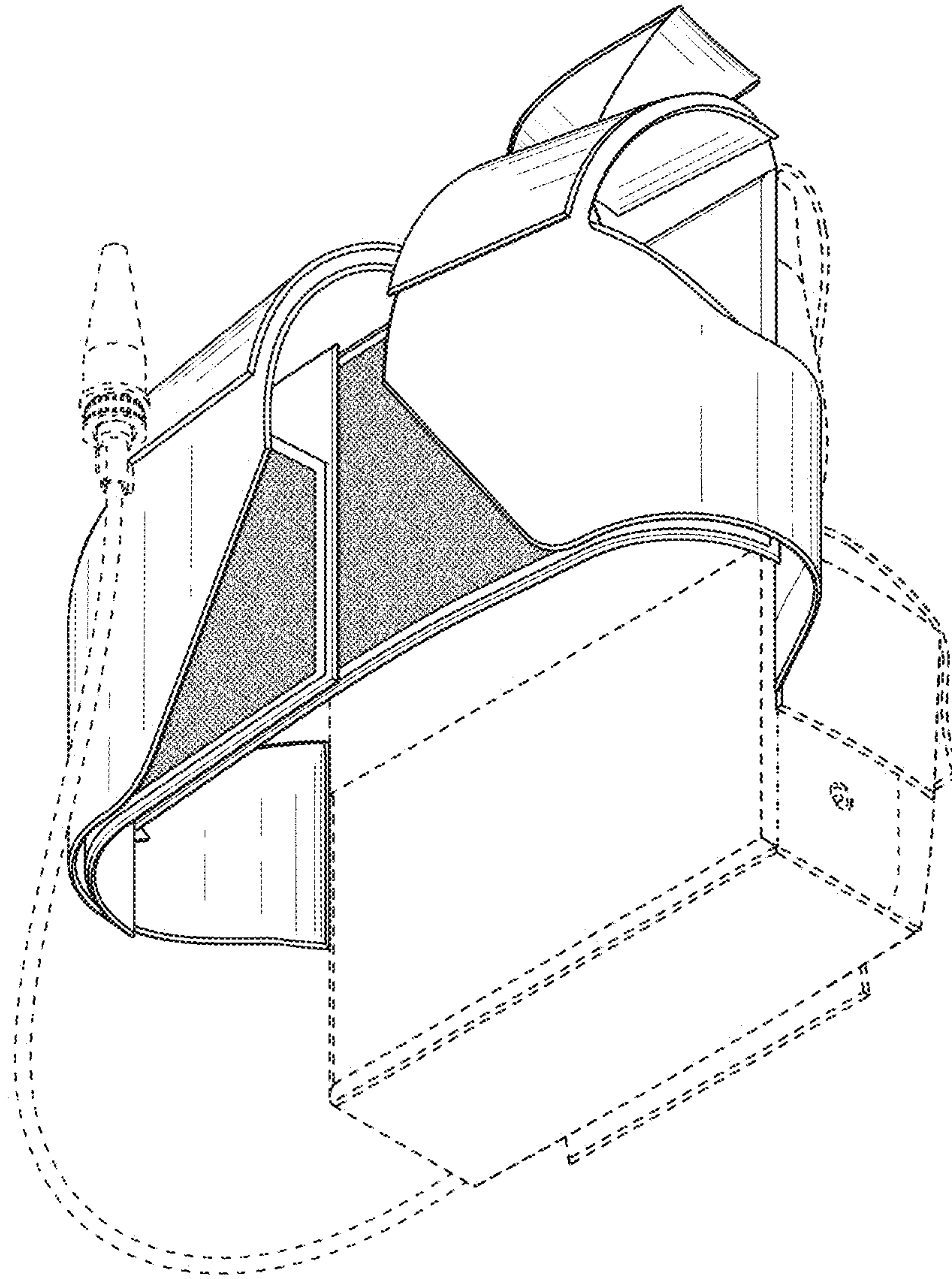


FIG. 3

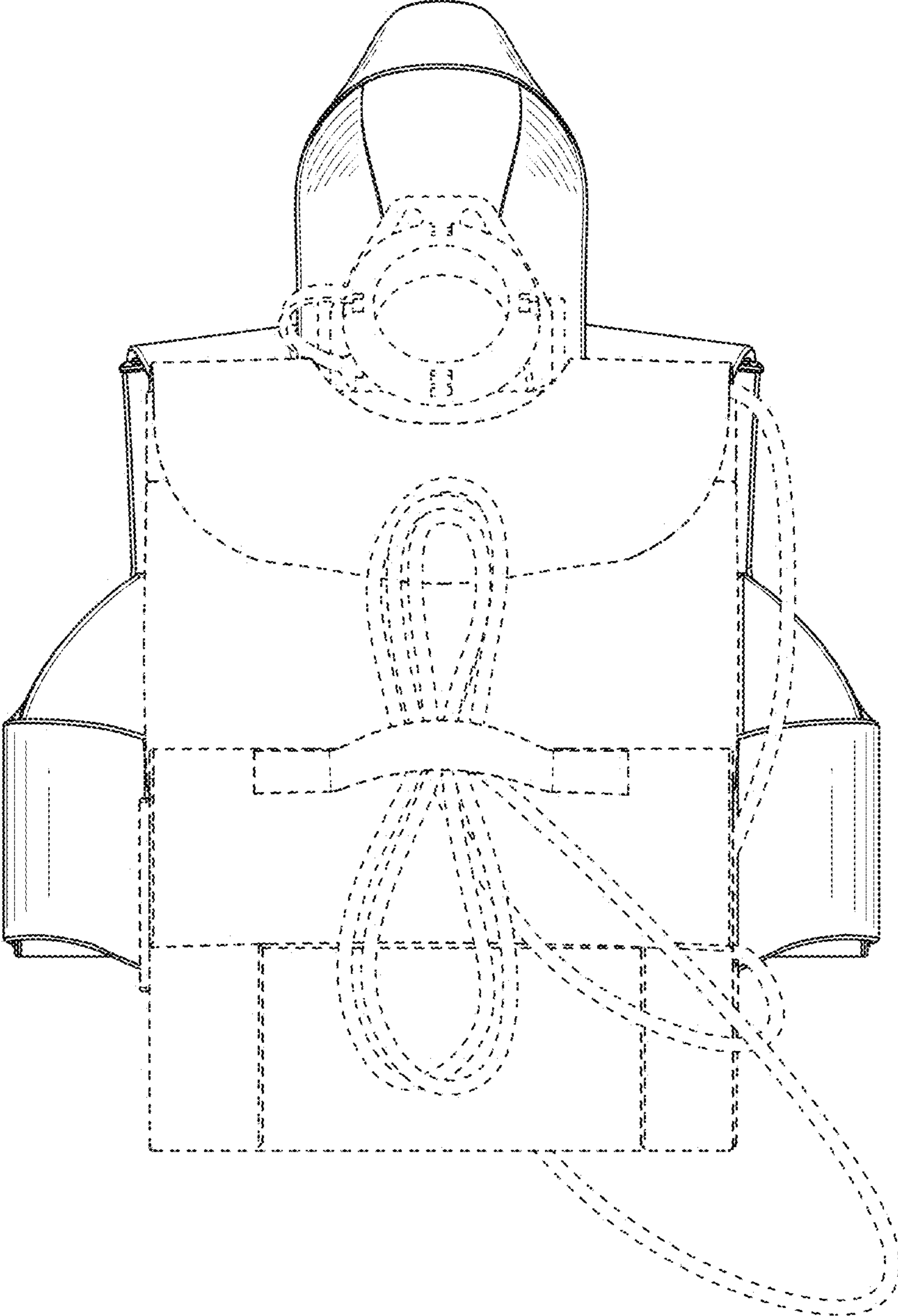


FIG. 4

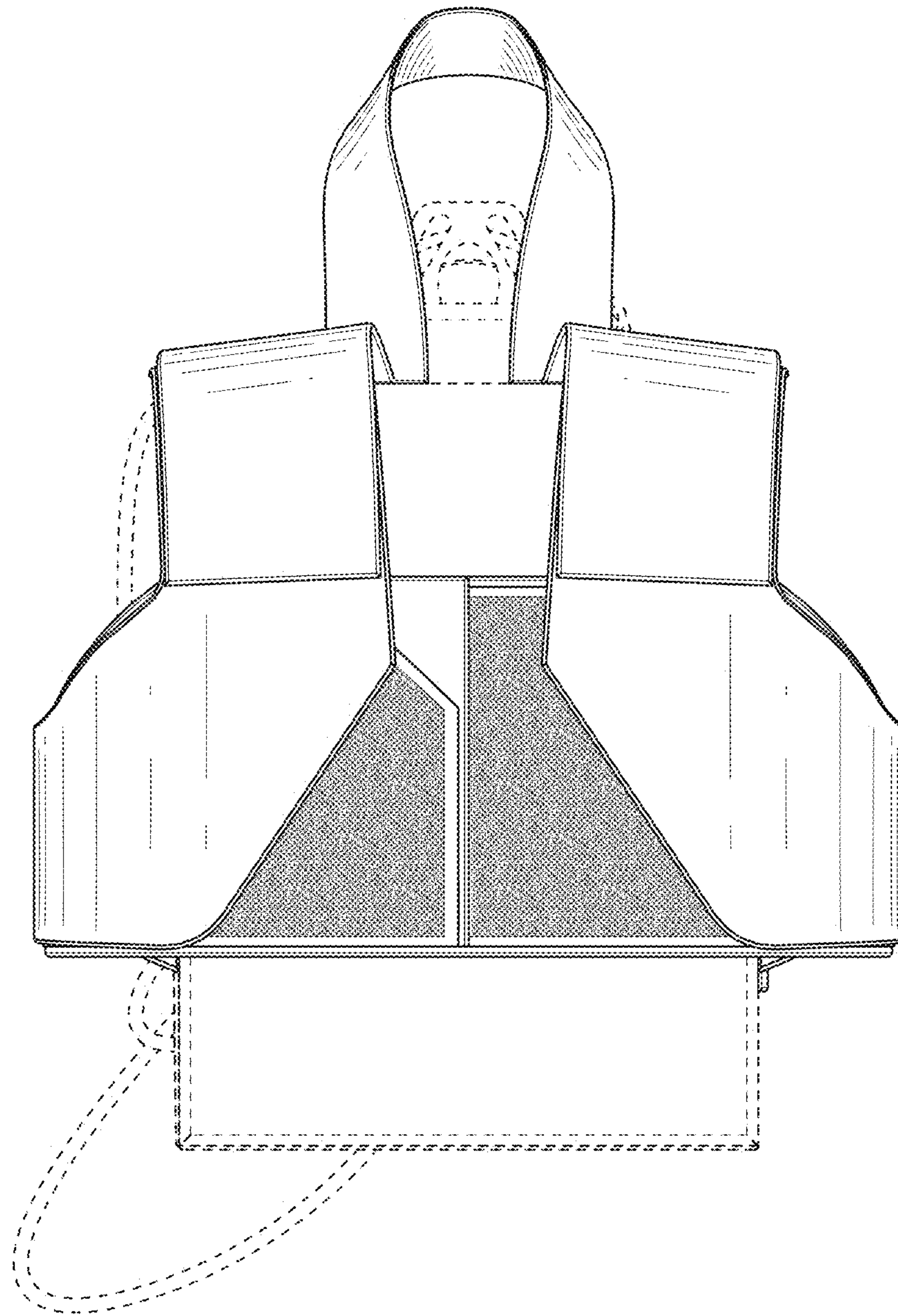


FIG. 5

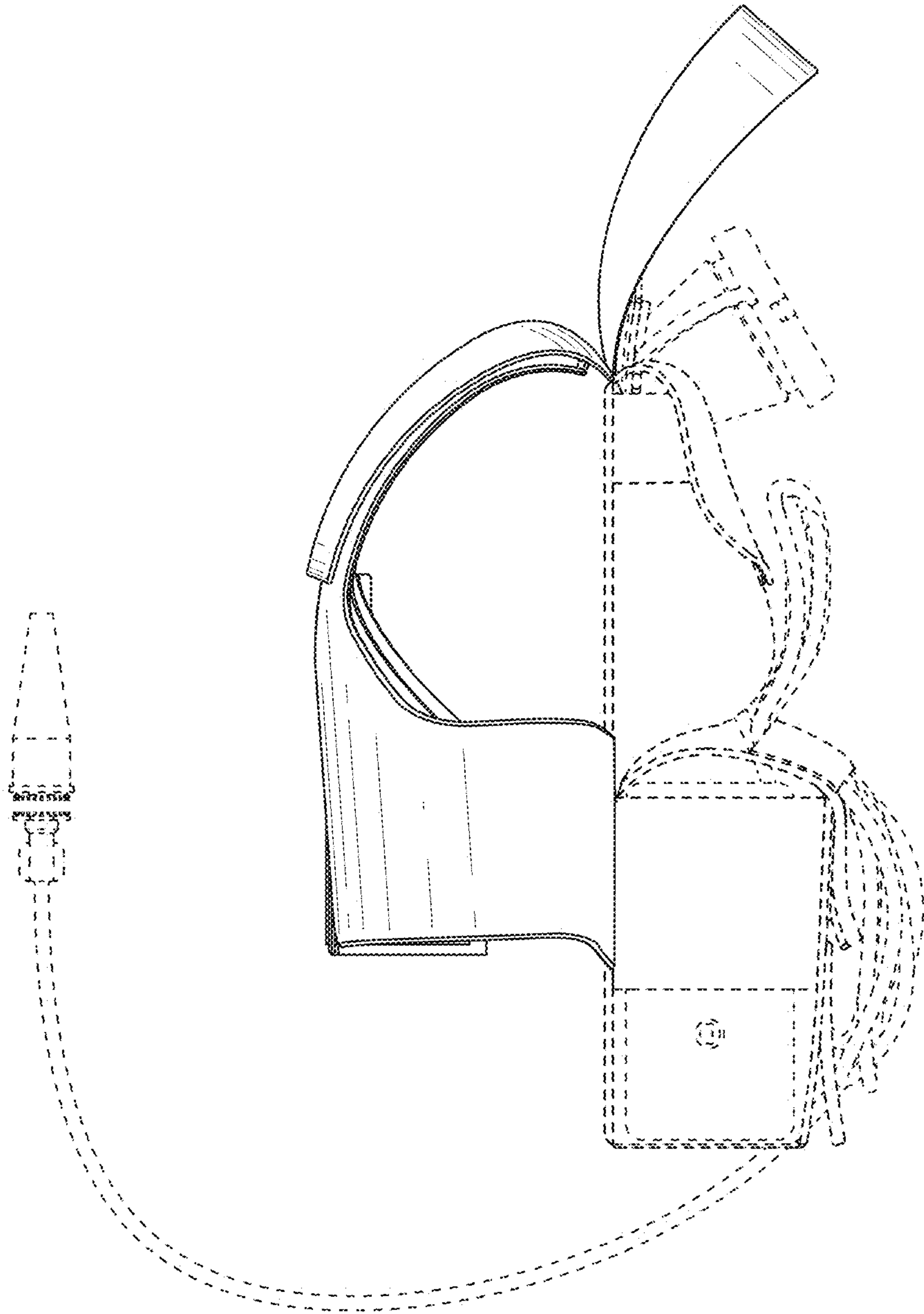


FIG. 6

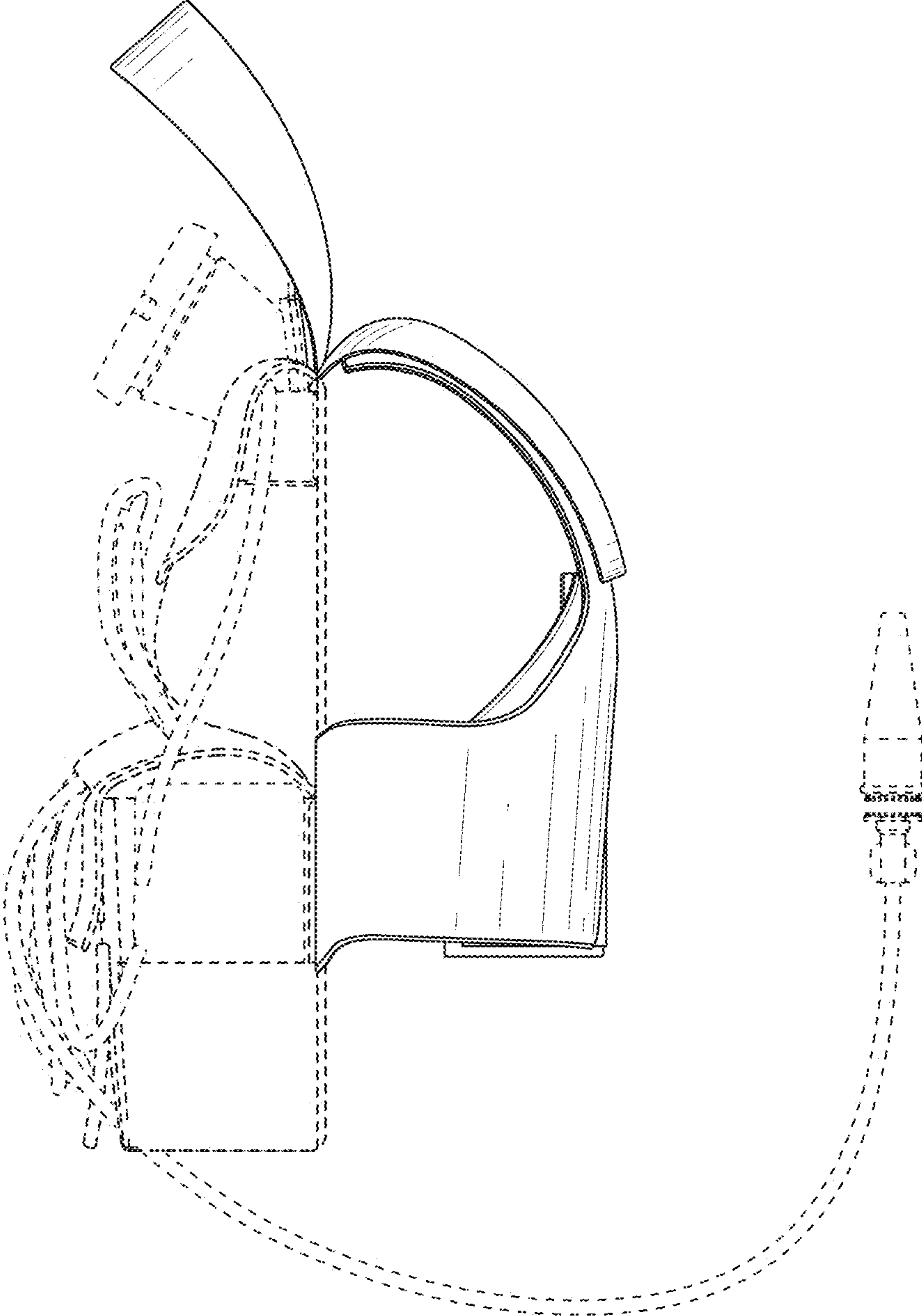


FIG. 7

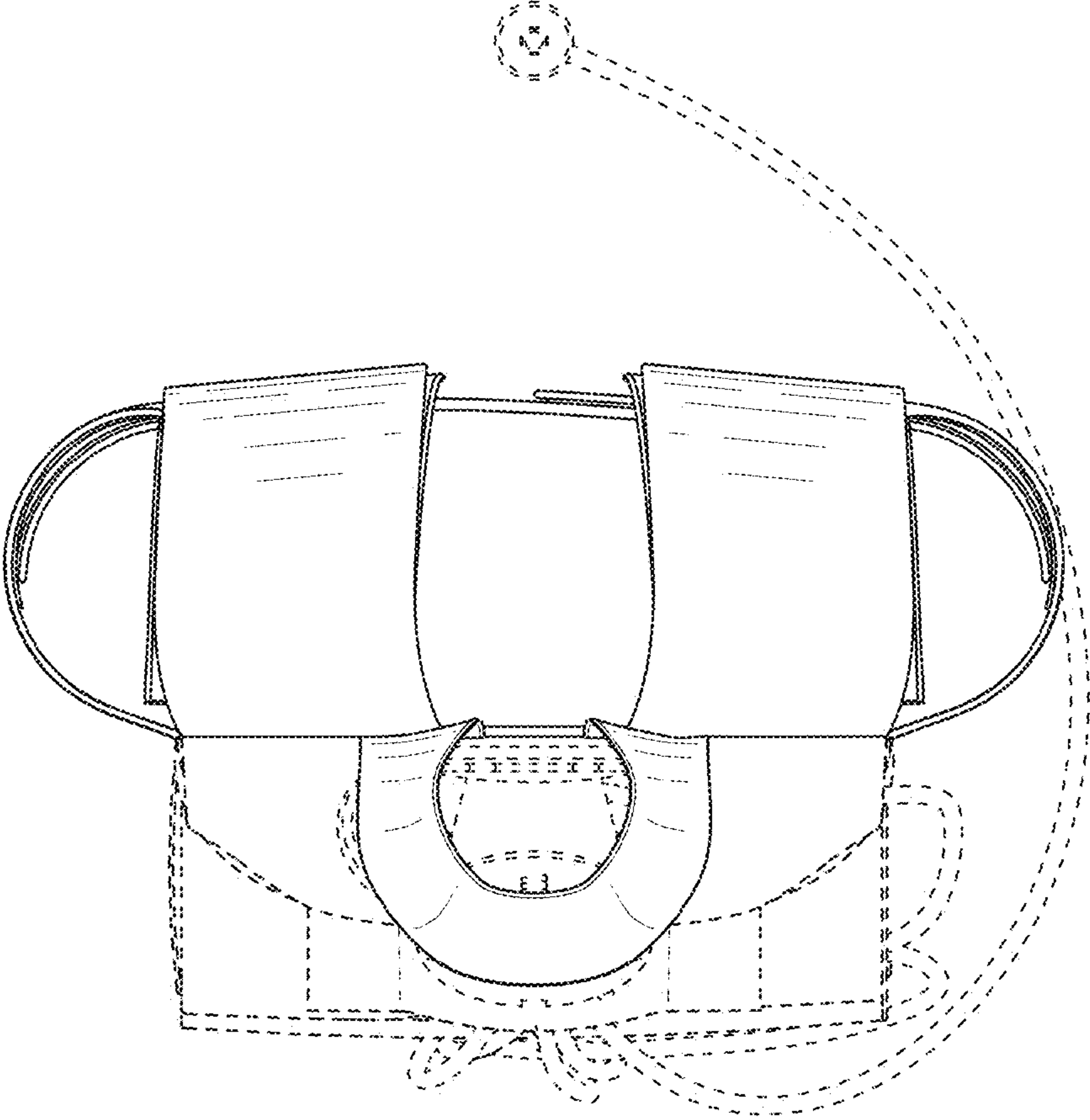


FIG. 8

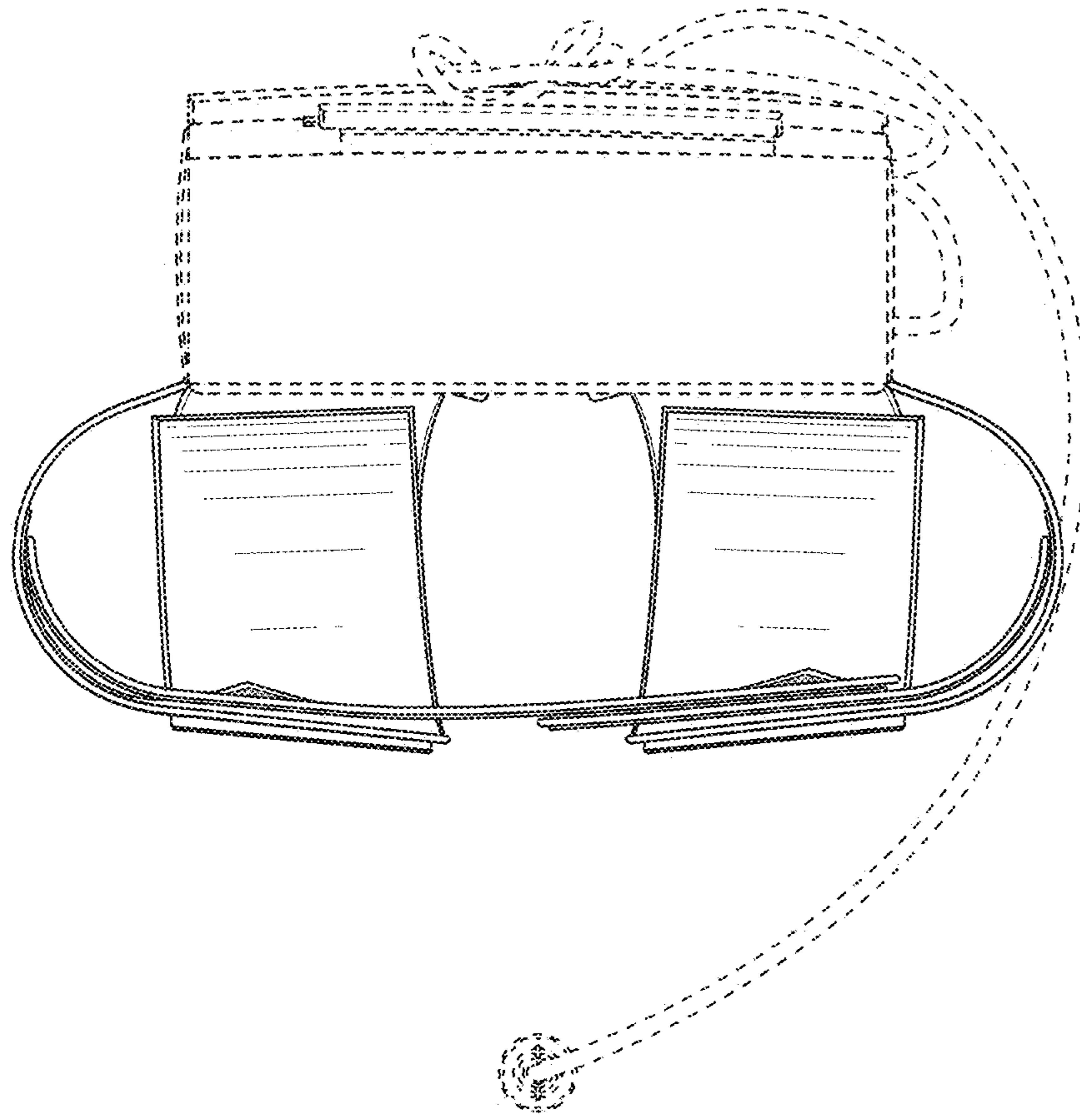


FIG. 9

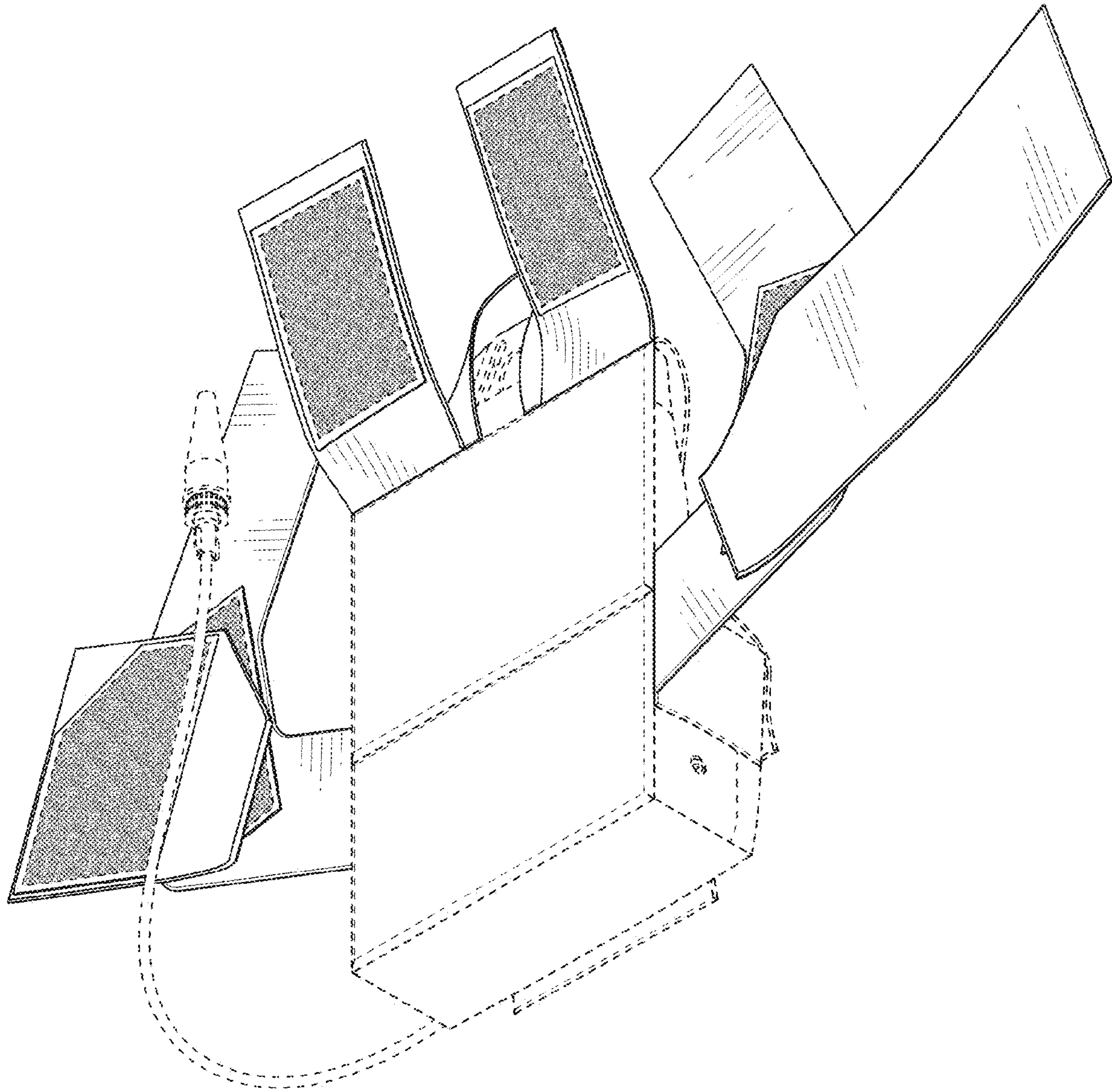


FIG. 10

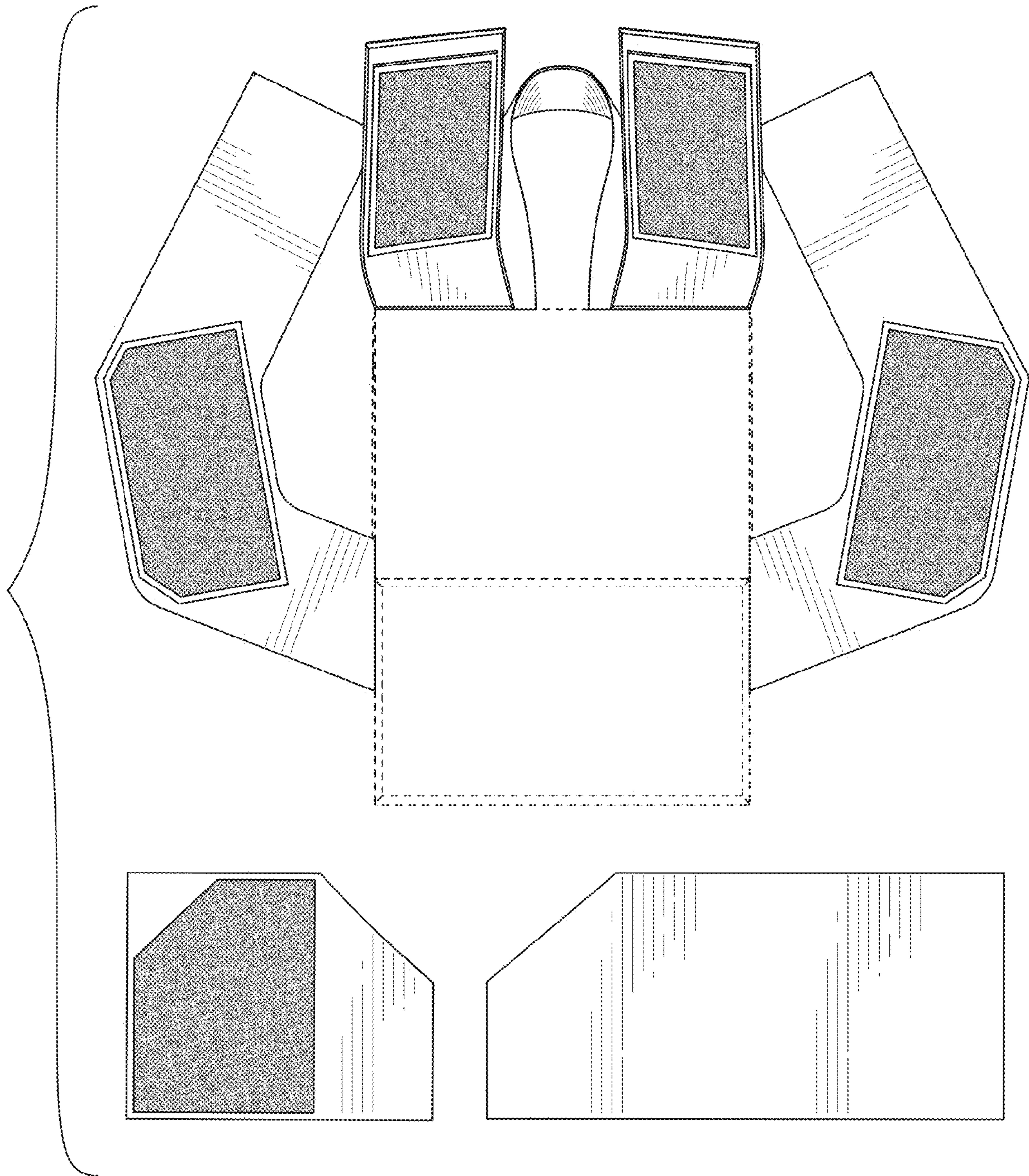


FIG. 11

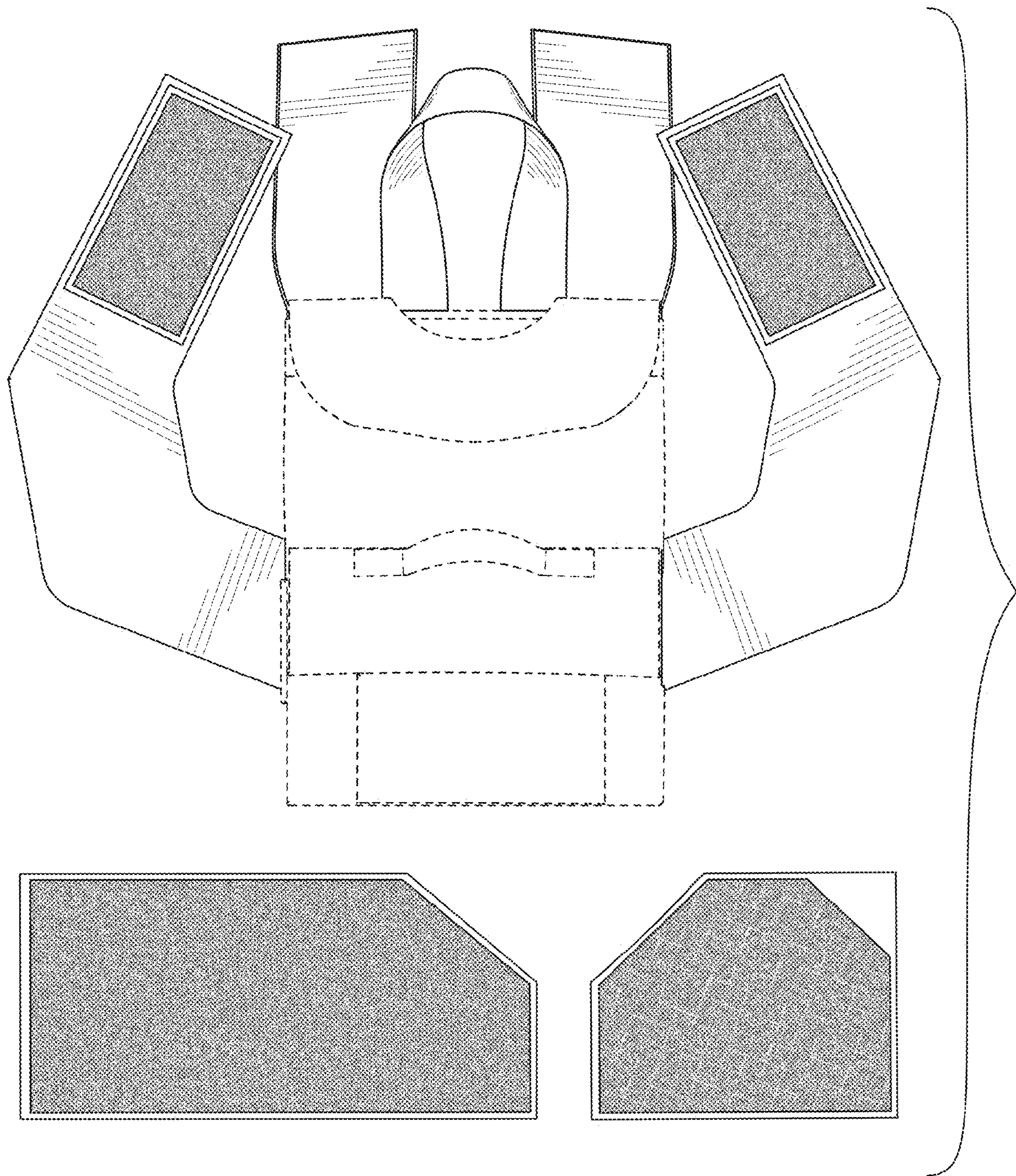


FIG. 12