

US00D877512S

(12) **United States Design Patent** (10) **Patent No.:** **US D877,512 S**
Brown et al. (45) **Date of Patent:** **** Mar. 10, 2020**

(54) **ROLLING BAG**
(71) Applicant: **PULL'R HOLDING COMPANY, LLC**, Schaumburg, IL (US)
(72) Inventors: **Kirk Brown**, Schaumburg, IL (US); **Tony Ranallo**, Schaumburg, IL (US)
(73) Assignee: **Pull'r Holding Company, LLC**, Schaumburg, IL (US)

D851,936 S * 6/2019 Lit Chung D3/315
2008/0179370 A1 * 7/2008 Williams A45C 13/02
224/682
2009/0008281 A1 * 1/2009 Williams B25H 3/00
206/373

(Continued)

FOREIGN PATENT DOCUMENTS

JP D1277696 7/2006
TW D170535 9/2015
TW D178066 9/2016

(**) Term: **15 Years**

OTHER PUBLICATIONS

(21) Appl. No.: **29/619,980**
(22) Filed: **Oct. 3, 2017**
(51) **LOC (12) Cl.** **03-01**
(52) **U.S. Cl.**
USPC **D3/315**; D3/905; D3/279
(58) **Field of Classification Search**
USPC D3/273, 274, 276, 279, 282, 294, 297,
D3/905, 307, 313, 310, 309, 311, 315;
D6/671; D34/19
CPC B25H 3/00; B25H 3/003; B25H 3/006;
B25H 3/02; H02J 7/0027; A45C 5/00;
A45C 2005/032; A45C 5/06; A45C 5/14
See application file for complete search history.

Home Depot, "Bucket Boss Gatemouth 12 in. Hard Tote", First reviewed Apr. 5, 2016. (<https://www.homedepot.com/p/Bucket-Boss-Gatemouth-12-in-Hard-Tote-70012/205067312>) (Year: 2016).*

Primary Examiner — April Rivas
(74) *Attorney, Agent, or Firm* — Cherskov Flaynik & Gurda, LLC

(57) **CLAIM**

The ornamental design for a rolling bag, as shown and described.

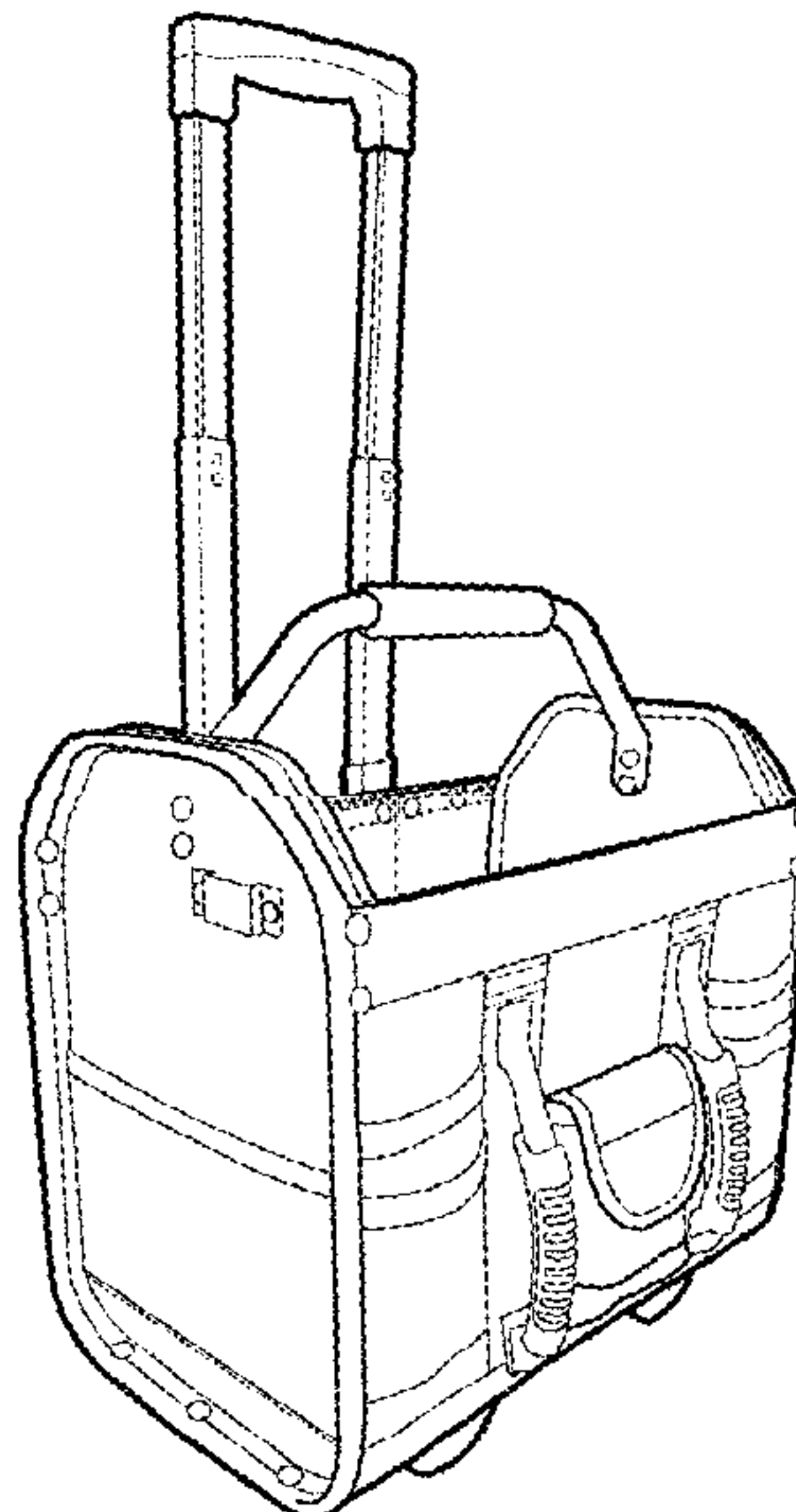
DESCRIPTION

FIG. 1 is a front, perspective view of the rolling bag design shown in use with a handle partially extended;
FIG. 2 is a front size perspective view with the handle further extended;
FIG. 3 is a back side perspective view with the handle partially extended;
FIG. 4 is a right side perspective side view thereof;
FIG. 5 is a left side perspective side view thereof;
FIG. 6 is a top plan perspective view thereof; and,
FIG. 7 is a bottom plan perspective view thereof.
The broken lines illustrate stitching and form part of the claimed design.

(56) **References Cited**
U.S. PATENT DOCUMENTS

D474,598 S * 5/2003 Platte, III D3/279
D639,051 S * 6/2011 Dare D3/260
D647,301 S * 10/2011 Sosnovsky D3/283
D648,532 S * 11/2011 Sosnovsky D3/283
D662,714 S * 7/2012 Fraiman D3/315
D701,045 S * 3/2014 Menirom D3/283
D793,728 S * 8/2017 Faibish D3/279
D821,097 S * 6/2018 Burton D3/289
D823,600 S * 7/2018 Pennington D3/315
D824,671 S * 8/2018 Pennington D3/283
D834,817 S * 12/2018 Hoppe D3/263
D846,282 S * 4/2019 Brouard D3/315

1 Claim, 7 Drawing Sheets



(56)

References Cited

U.S. PATENT DOCUMENTS

2013/0001118 A1* 1/2013 Kinsky B25H 3/00
206/372
2015/0217903 A1* 8/2015 Mazyck, III B25H 3/00
220/4.01
2015/0367502 A1* 12/2015 Hassler B25H 3/00
206/349
2016/0023349 A1* 1/2016 Hoppe A45C 7/0045
280/655.1

* cited by examiner

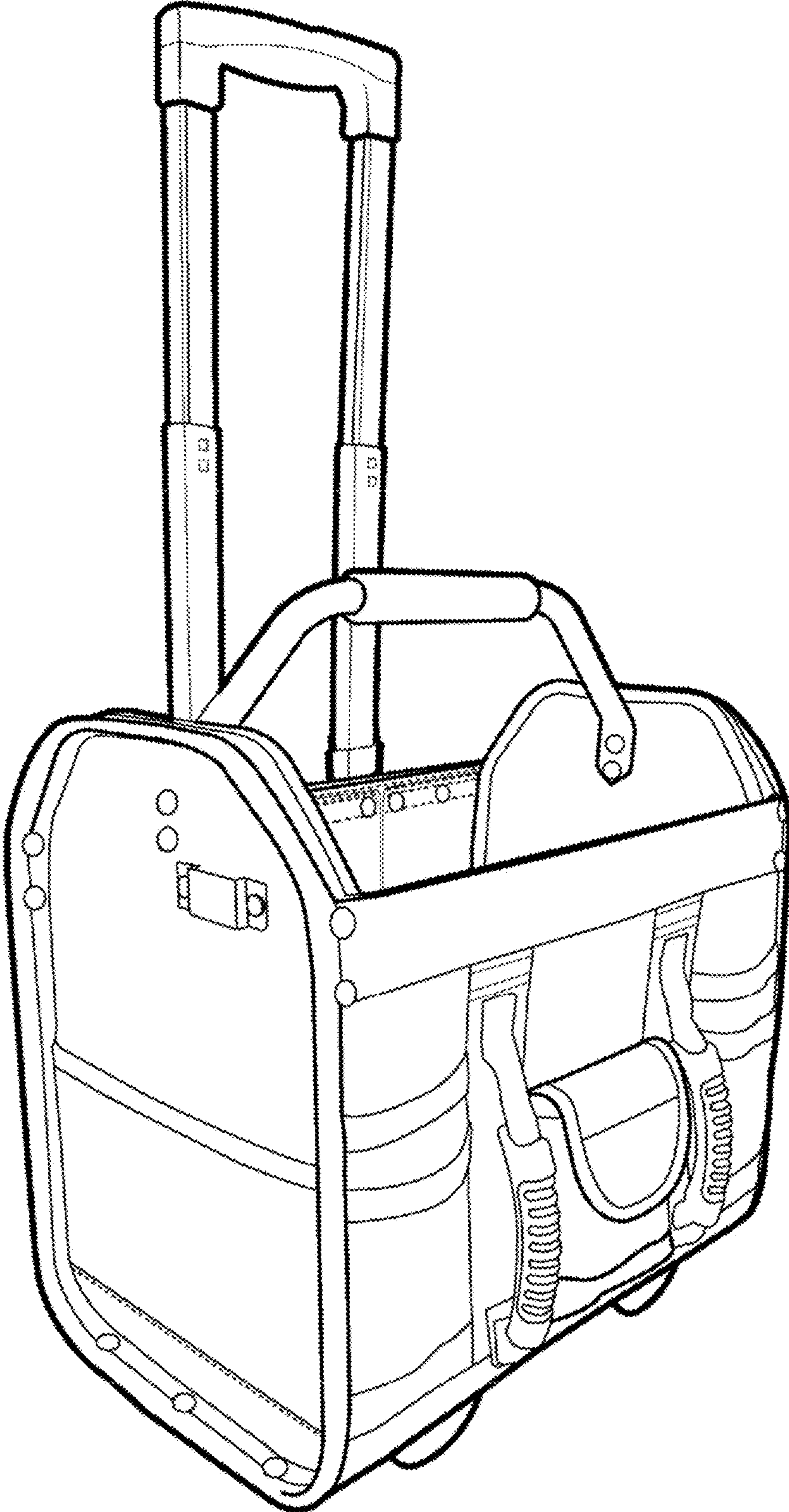


Fig. 1

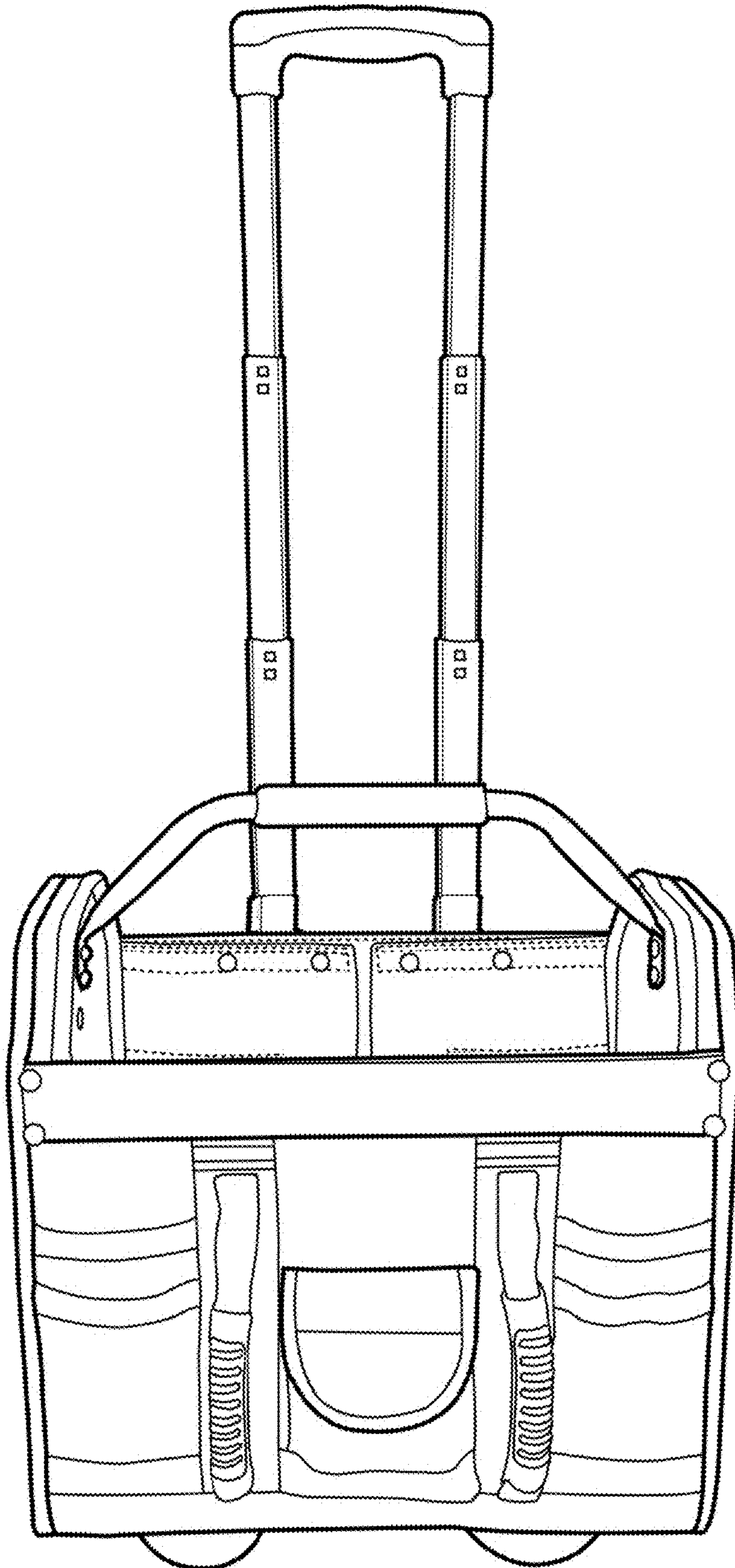


Fig. 2

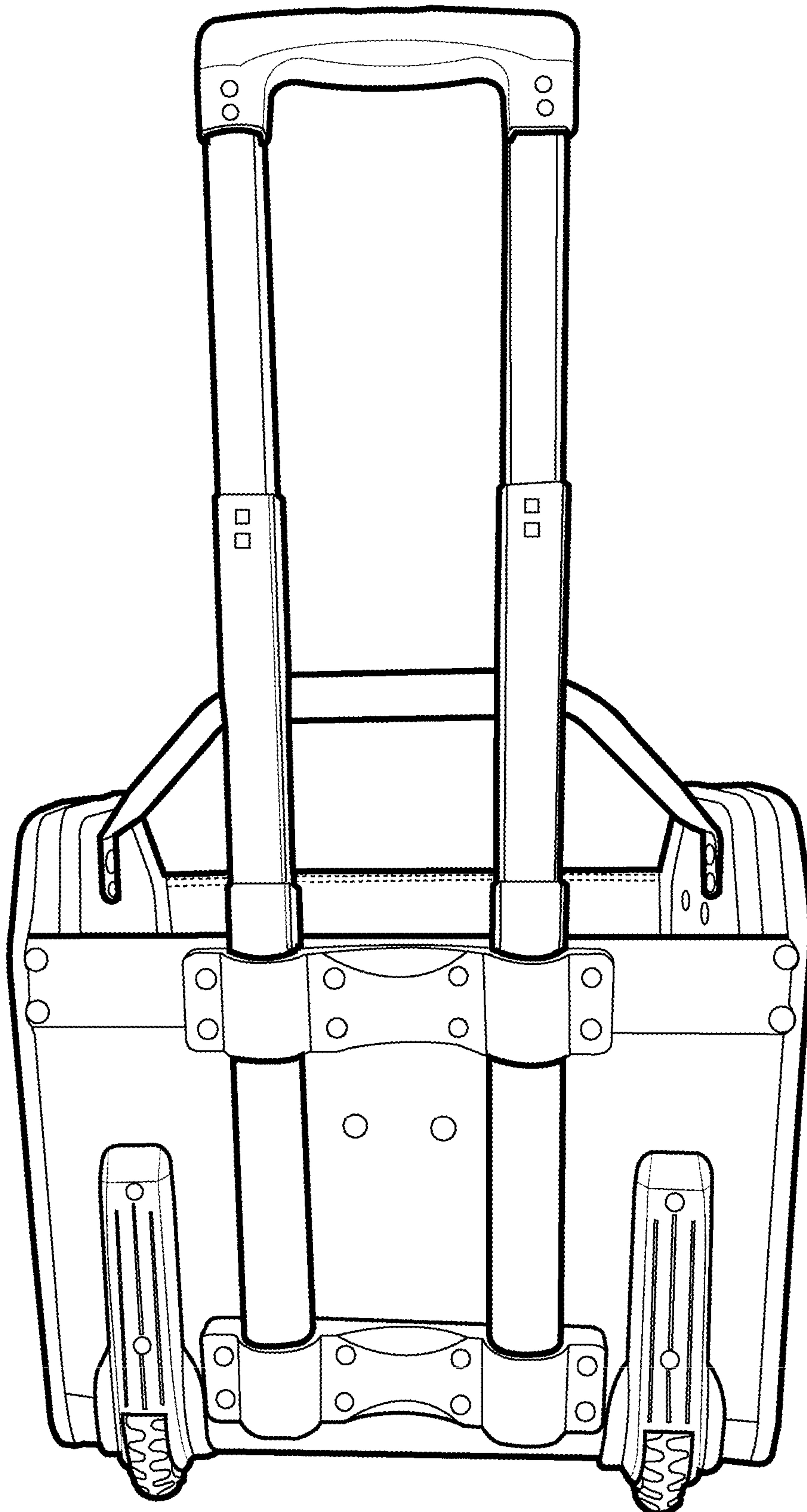


Fig. 3

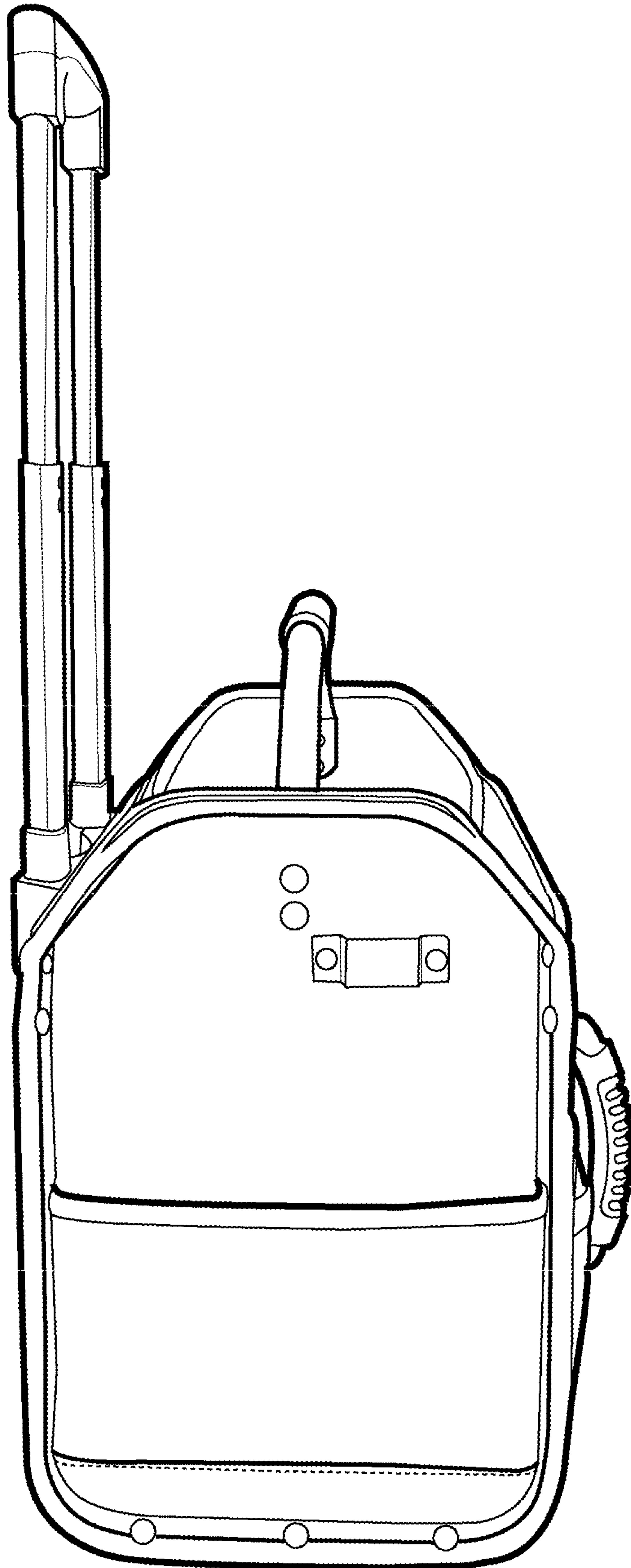


Fig. 4

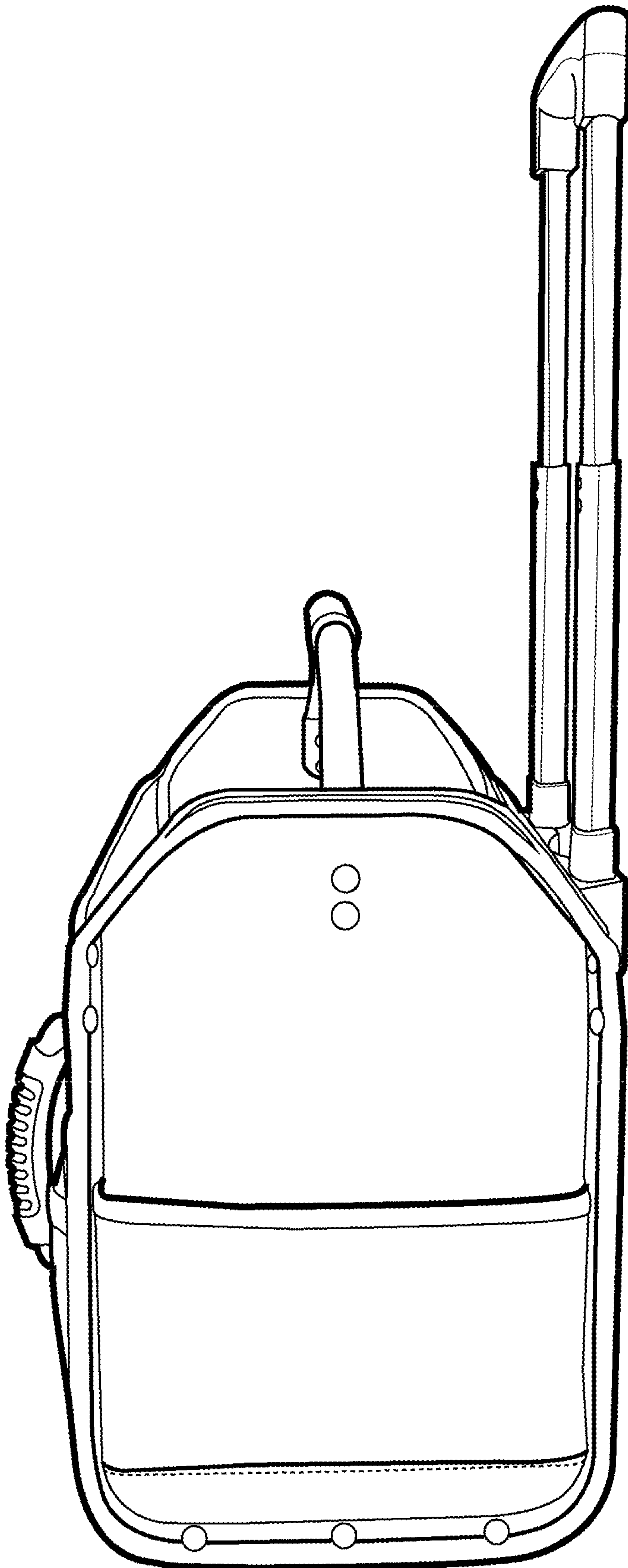


Fig. 5

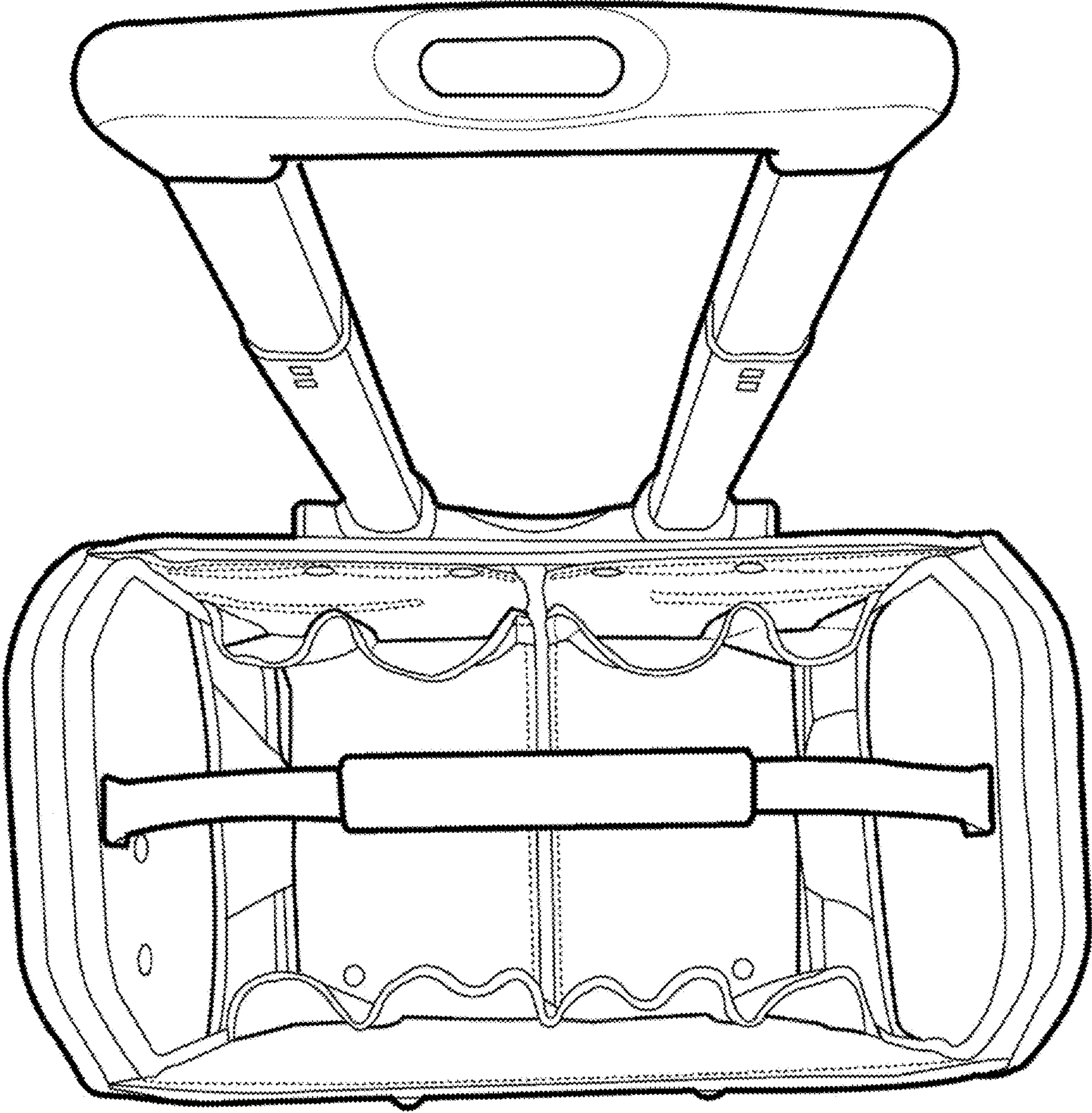


Fig. 6

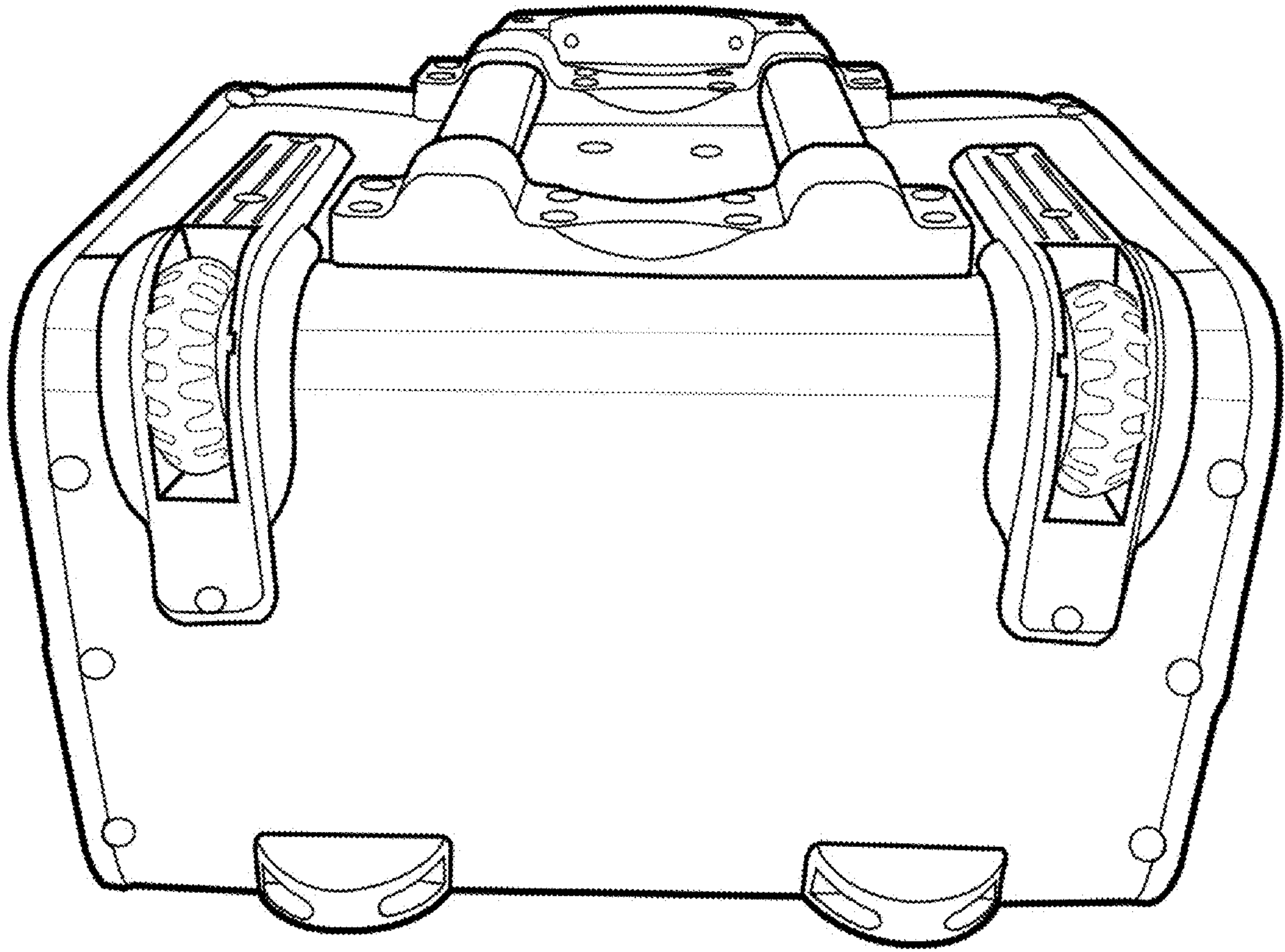


Fig. 7