



US00D877510S

(12) **United States Design Patent**
Christen et al.

(10) **Patent No.:** **US D877,510 S**
(45) **Date of Patent:** **** Mar. 10, 2020**

(54) **TOOLBOX**

(71) Applicant: **Robert Bosch GmbH**, Stuttgart (DE)

(72) Inventors: **Stefan Christen**, Langendorf (CH);
Zoran Tasic, Esslingen (DE)

(73) Assignee: **Robert Bosch GmbH**, Stuttgart (DE)

(**) Term: **15 Years**

(21) Appl. No.: **29/653,385**

(22) Filed: **Jun. 14, 2018**

(30) **Foreign Application Priority Data**

Jun. 14, 2018 (EM) 005310349

(51) **LOC (12) Cl.** **03-01**

(52) **U.S. Cl.**
USPC **D3/294**; D3/298; D3/905

(58) **Field of Classification Search**
USPC D3/203.6, 205, 273, 274, 275, 276, 278,
D3/283, 284, 287, 289, 294, 297, 296,
D3/299, 302, 303, 901, 903, 905, 301,
D3/298

CPC .. A45D 2033/001; A45D 33/00; A45D 44/18;
A45C 11/16; A45C 3/004; A45C
2003/008; A45C 5/005; A45C 2011/002;
A45C 15/04; A45C 2200/10; B25H
3/028; B25H 3/023; B25H 3/02; B25H
3/003

See application file for complete search history.

(56) **References Cited**

U.S. PATENT DOCUMENTS

D527,523 S * 9/2006 Cornwell D3/294
D566,392 S * 4/2008 Aglassinger D3/282
D613,506 S * 4/2010 Aglassinger D3/282
D645,663 S * 9/2011 Henley D3/294
D712,137 S * 9/2014 Hsu D3/228

D721,231 S * 1/2015 Steele D3/282
D753,917 S * 4/2016 Koeniger D3/294
D789,086 S * 6/2017 Lin D3/294
D799,822 S * 10/2017 Kanda D3/276
D805,775 S * 12/2017 Tsai D3/298
D814,187 S * 4/2018 Caglar D3/276

(Continued)

OTHER PUBLICATIONS

BOSCH professional, "Pick and Click Empty Cases L", Accessed Aug. 13, 2019. (<https://shop.bosch-professional.com/gb/en/accessory/pick-and-click-empty-cases-l--2593429>) (Year: 2019).*

(Continued)

Primary Examiner — April Rivas

(74) *Attorney, Agent, or Firm* — Maginot, Moore & Beck LLP

(57) **CLAIM**

The ornamental design for a toolbox, as shown and described.

DESCRIPTION

Cross reference is made to copending U.S. design patent application Ser. No. 29/653,387 entitled "Toolbox" by Christen et al., which was filed on even date herewith.

FIG. 1 is a perspective view of a toolbox showing our new design;

FIG. 2 is a front elevational view of the toolbox of FIG. 1;

FIG. 3 is a rear elevational view of the toolbox of FIG. 1;

FIG. 4 is a right side elevational view of the toolbox of FIG. 1;

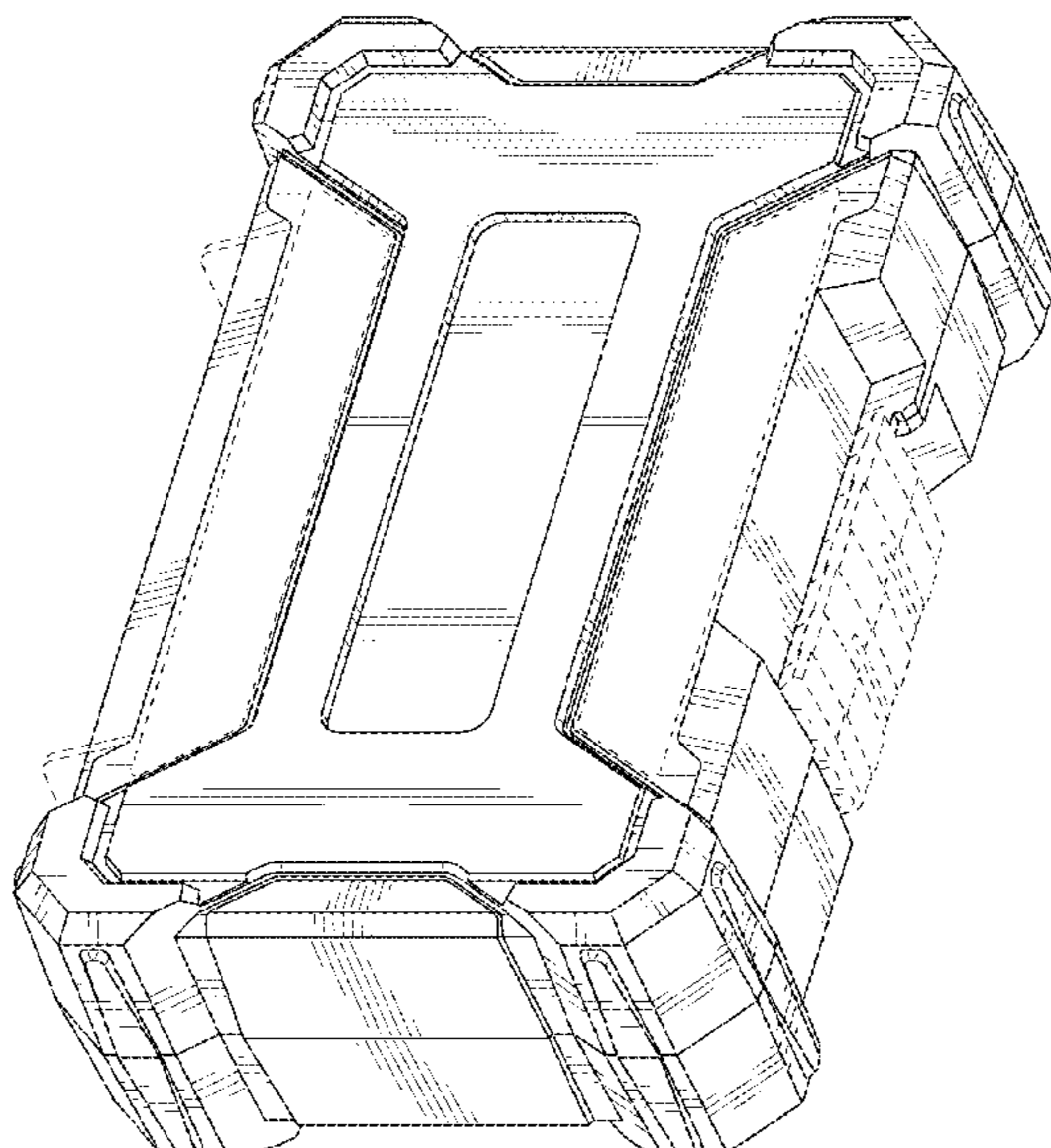
FIG. 5 is a left side elevational view of the toolbox of FIG. 1;

FIG. 6 is a top plan view of the toolbox of FIG. 1; and,

FIG. 7 is a bottom plan view of the toolbox of FIG. 1.

The broken lines shown in the drawings illustrate portions of the toolbox that form no part of the claimed design.

1 Claim, 7 Drawing Sheets



(56)

References Cited

U.S. PATENT DOCUMENTS

D822,386 S * 7/2018 Tsai D3/321

OTHER PUBLICATIONS

Amazon.co.uk, "DeWalt 32 Piece XR Professional Magnetic Screwdriver Bit Accessory Set", First on sale Apr. 4, 2012. (<https://www.amazon.co.uk/DeWalt-Professional-Magnetic-Screwdriver-Accessory/dp/B007MMG4YK/>) (Year: 2012).*

* cited by examiner

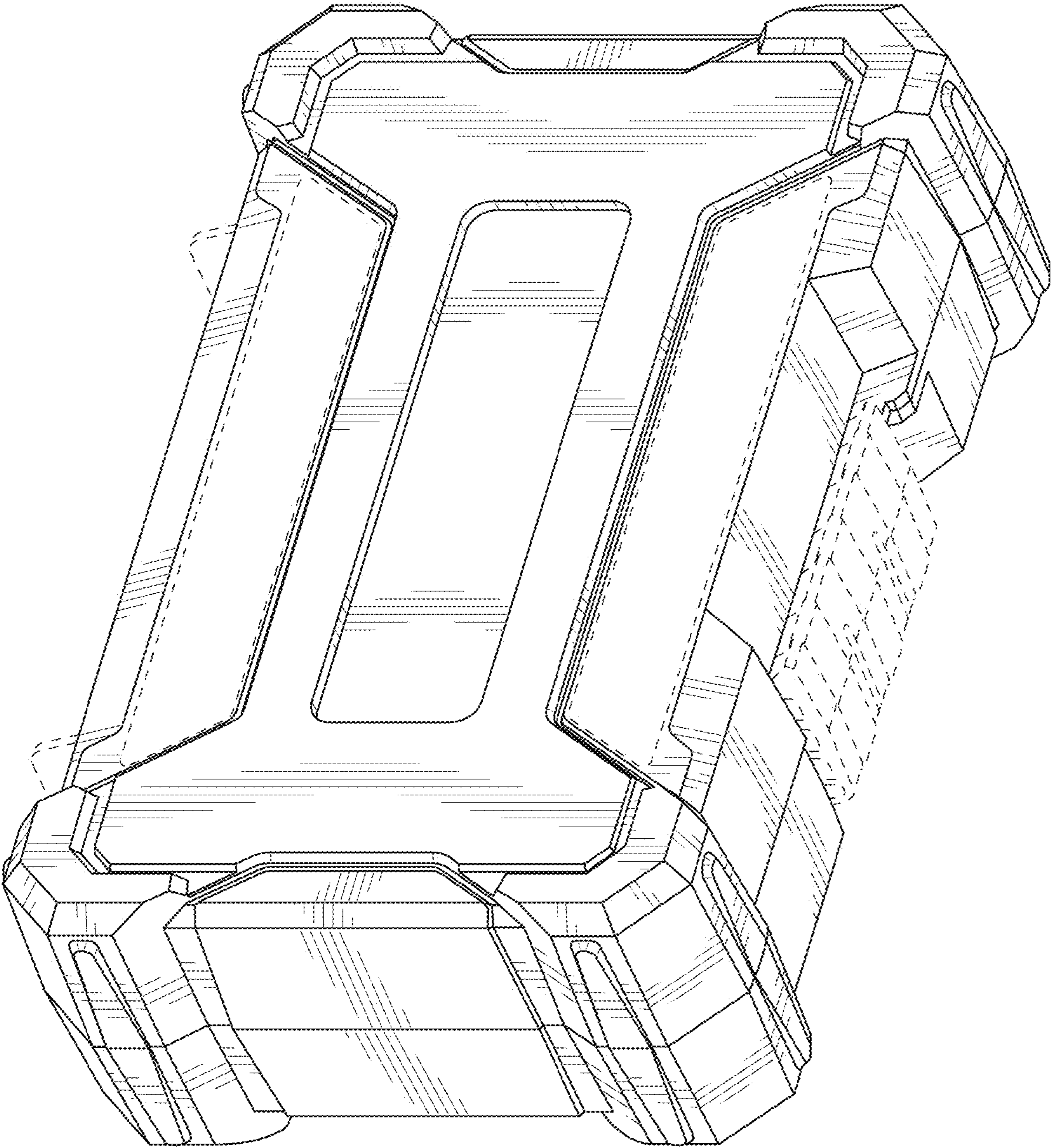


FIG. 1

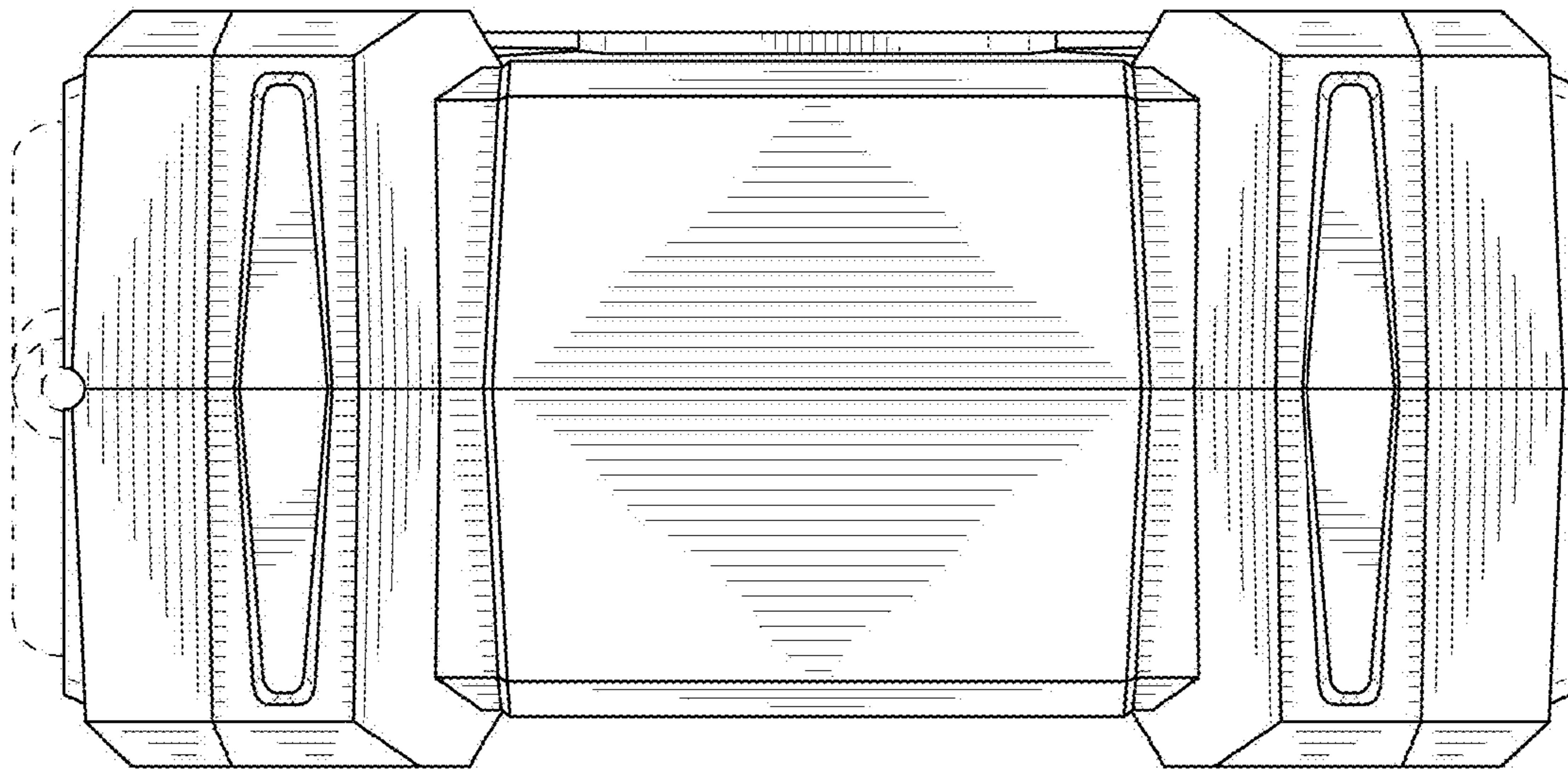


FIG. 2

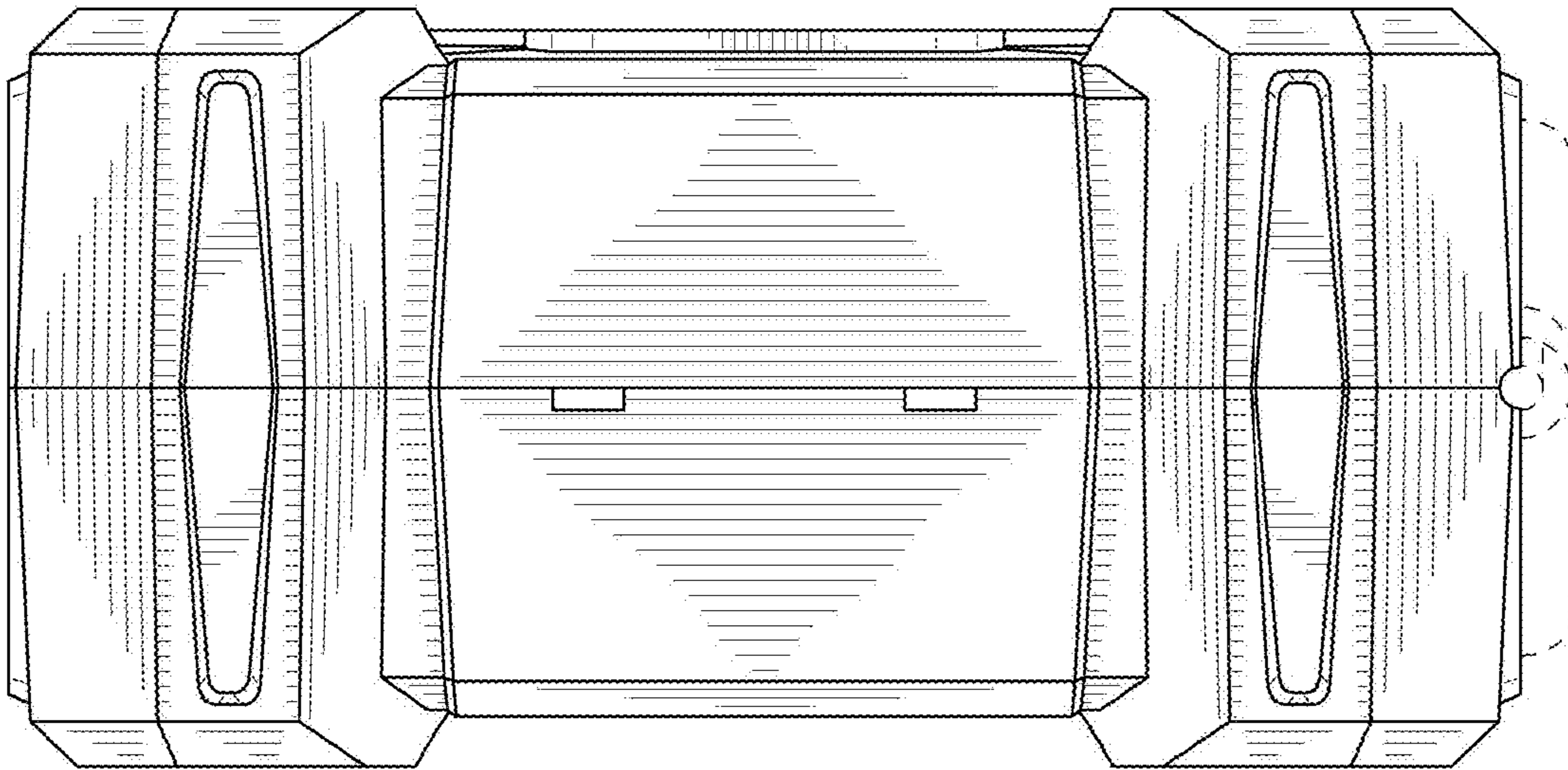


FIG. 3

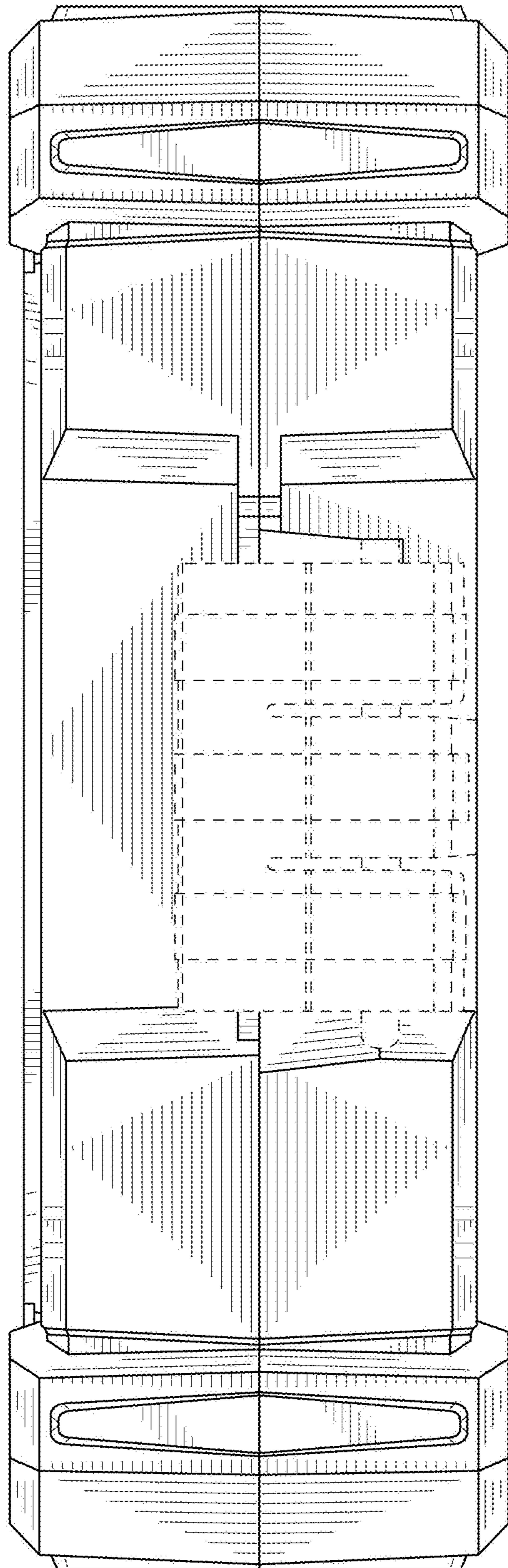


FIG. 4

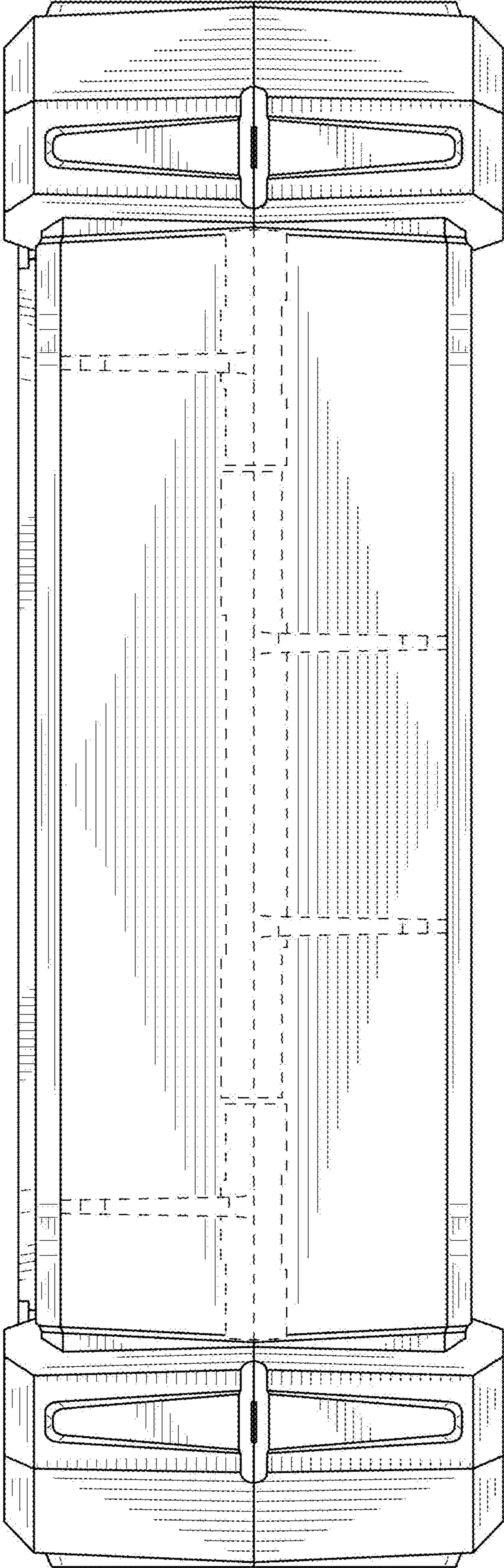


FIG. 5

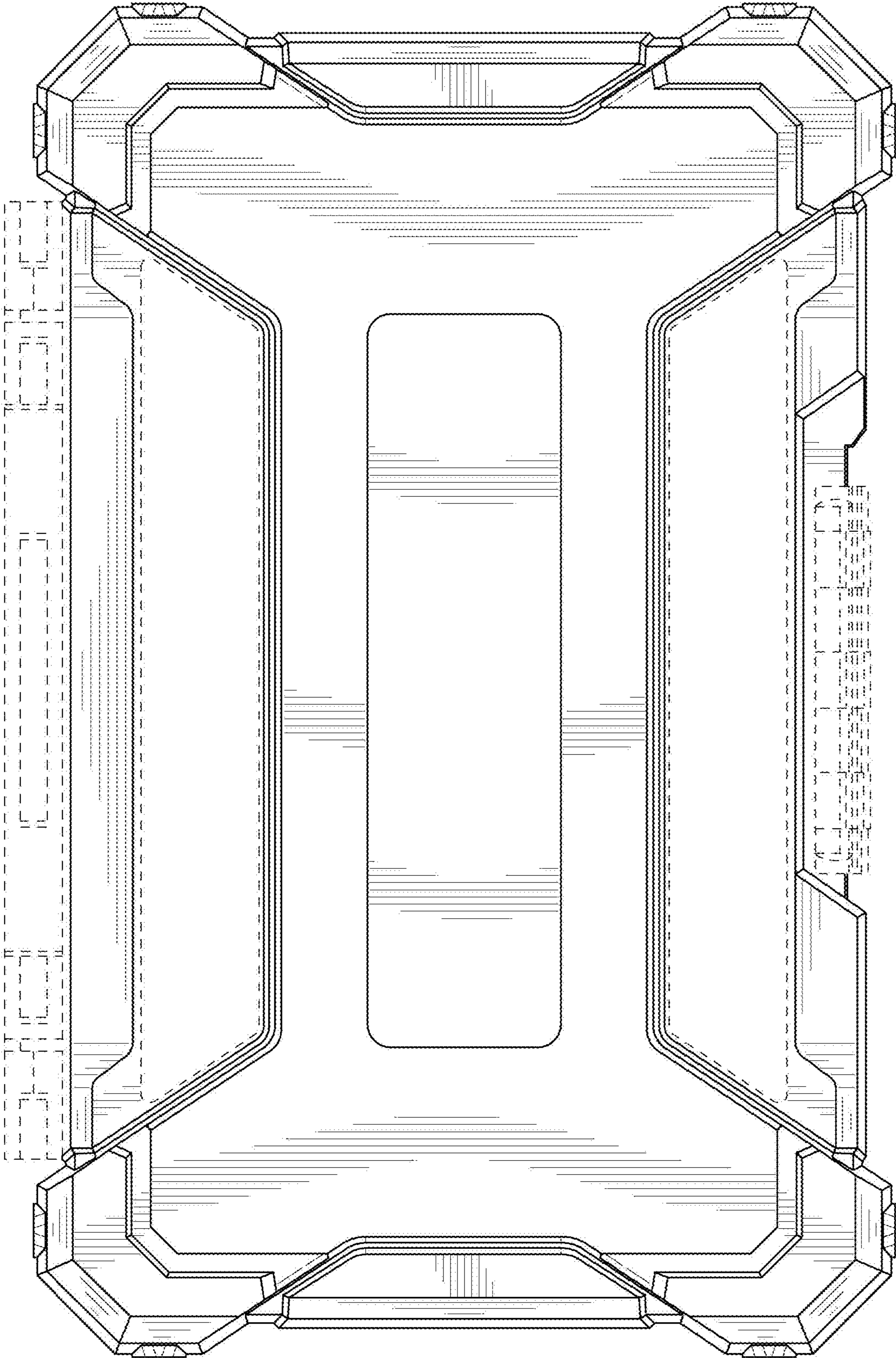


FIG. 6

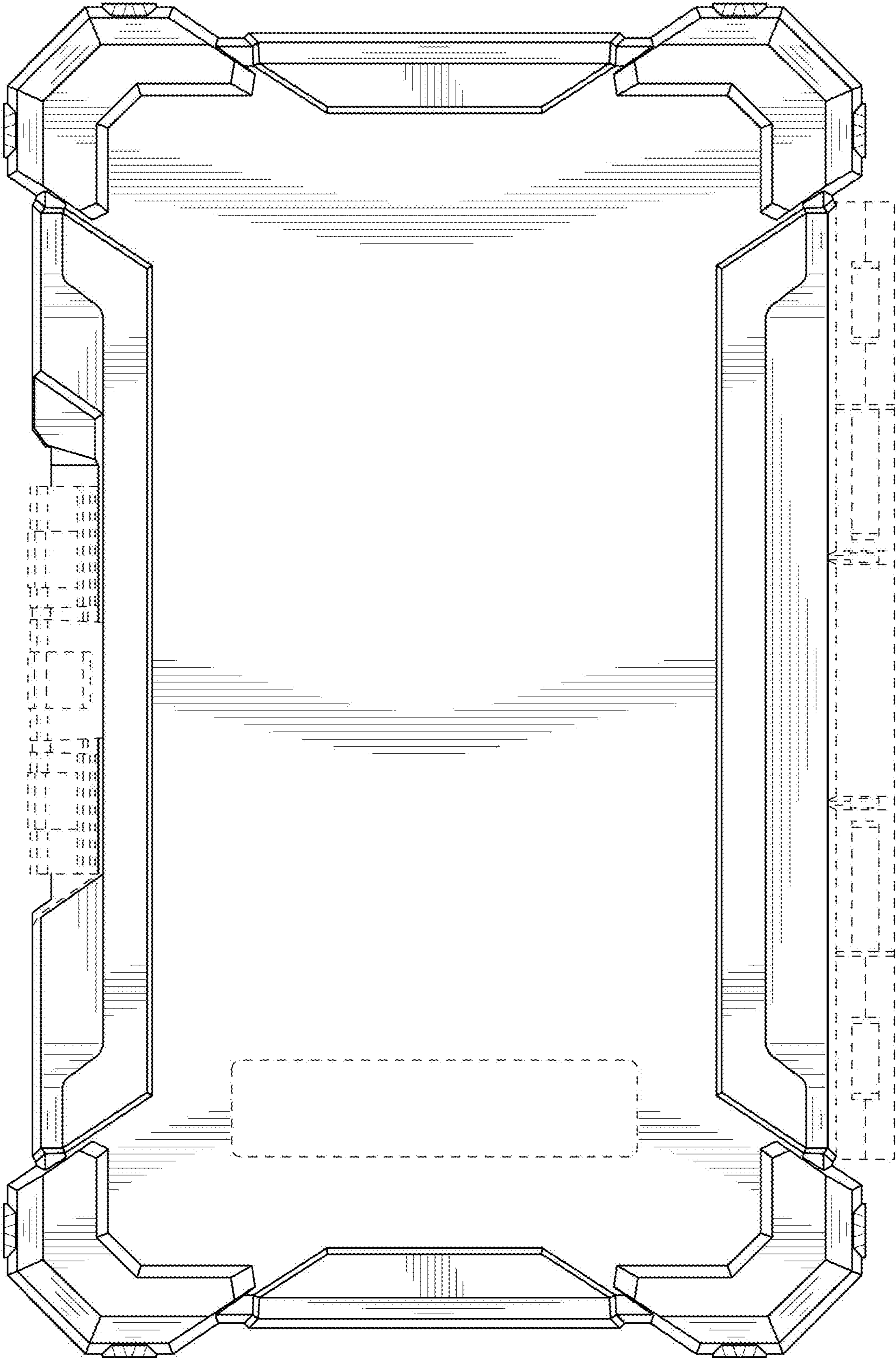


FIG. 7