



US00D877509S

(12) **United States Design Patent**
Kilkenny

(10) **Patent No.:** **US D877,509 S**
(45) **Date of Patent:** **** Mar. 10, 2020**

- (54) **LAPTOP CASE**
- (71) Applicant: **Kevin Kilkenny**, Williamsburg, VA
(US)
- (72) Inventor: **Kevin Kilkenny**, Williamsburg, VA
(US)
- (73) Assignee: **Mohawk USA LLC**, New Milford, CT
(US)
- (**) Term: **15 Years**
- (21) Appl. No.: **29/619,294**
- (22) Filed: **Sep. 28, 2017**
- (51) **LOC (12) Cl.** **03-01**
- (52) **U.S. Cl.**
USPC **D3/294; D14/440**
- (58) **Field of Classification Search**
USPC D3/273, 274, 276, 279, 282, 294, 297,
D3/905, 307, 313, 310, 287-288,
D3/290-292, 301, 321; D14/315, 328,
D14/341, 345, 440; 206/372-373
CPC A45C 2011/002; A45C 2011/003
See application file for complete search history.

- D729,255 S 5/2015 Kilkenny
- D734,748 S * 7/2015 Chen D14/341
- D775,132 S * 12/2016 Smith D14/440
- D805,774 S * 12/2017 Sun D3/294
- D812,618 S * 3/2018 Altaras D14/440
- D852,158 S * 6/2019 Tani D14/147
- D852,802 S * 7/2019 Gao D14/440
- 2014/0209503 A1 * 7/2014 Angel A45C 11/00
206/736
- 2016/0338459 A1 * 11/2016 Yow A45C 11/00
- 2019/0068230 A1 * 2/2019 Sasaki H04B 1/3888

* cited by examiner

Primary Examiner — Barbara Fox
Assistant Examiner — Mary Shannon Malley
(74) *Attorney, Agent, or Firm* — Maskell Law PLLC;
Benjamin E. Maskell

(57) **CLAIM**

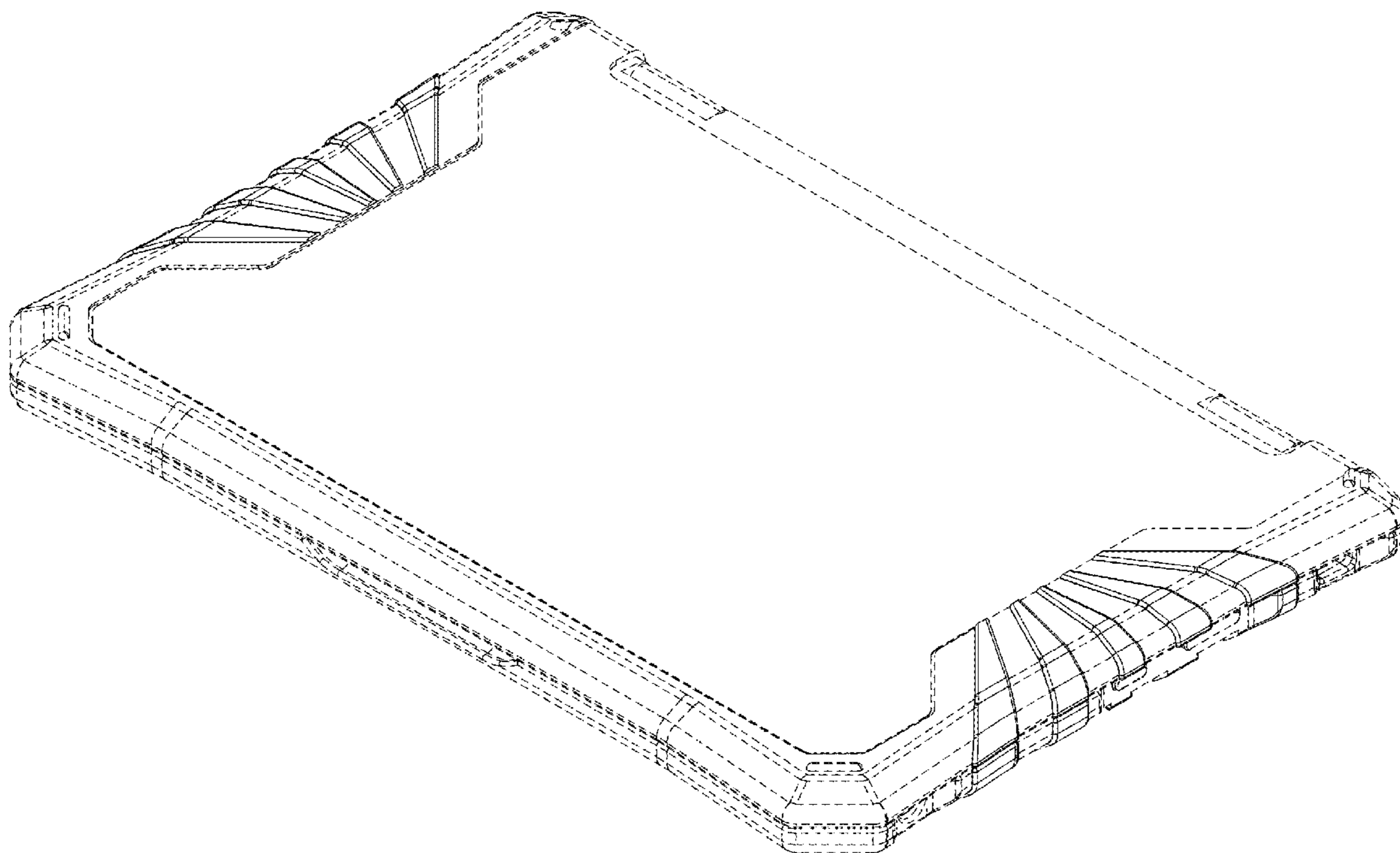
The ornamental design for a laptop case, as shown and described.

DESCRIPTION

FIG. 1 is a top isometric view of a laptop case, showing my new design;
FIG. 2 is a top side view thereof;
FIG. 3 is a front side view thereof;
FIG. 4 is a rear side view thereof;
FIG. 5 is a left side view thereof;
FIG. 6 is a right side view thereof;
FIG. 7 is a bottom isometric view thereof; and,
FIG. 8 is a bottom view thereof.
The broken lines in the drawings depict portions of the laptop case that form no part of the claimed design.

1 Claim, 6 Drawing Sheets

- (56) **References Cited**
U.S. PATENT DOCUMENTS
- D543,700 S * 6/2007 Parker D14/315
- D557,897 S * 12/2007 Richardson D3/294
- D643,843 S * 8/2011 Hsieh D14/440
- D696,257 S * 12/2013 Ward D14/440
- D706,272 S * 6/2014 Poon D14/440



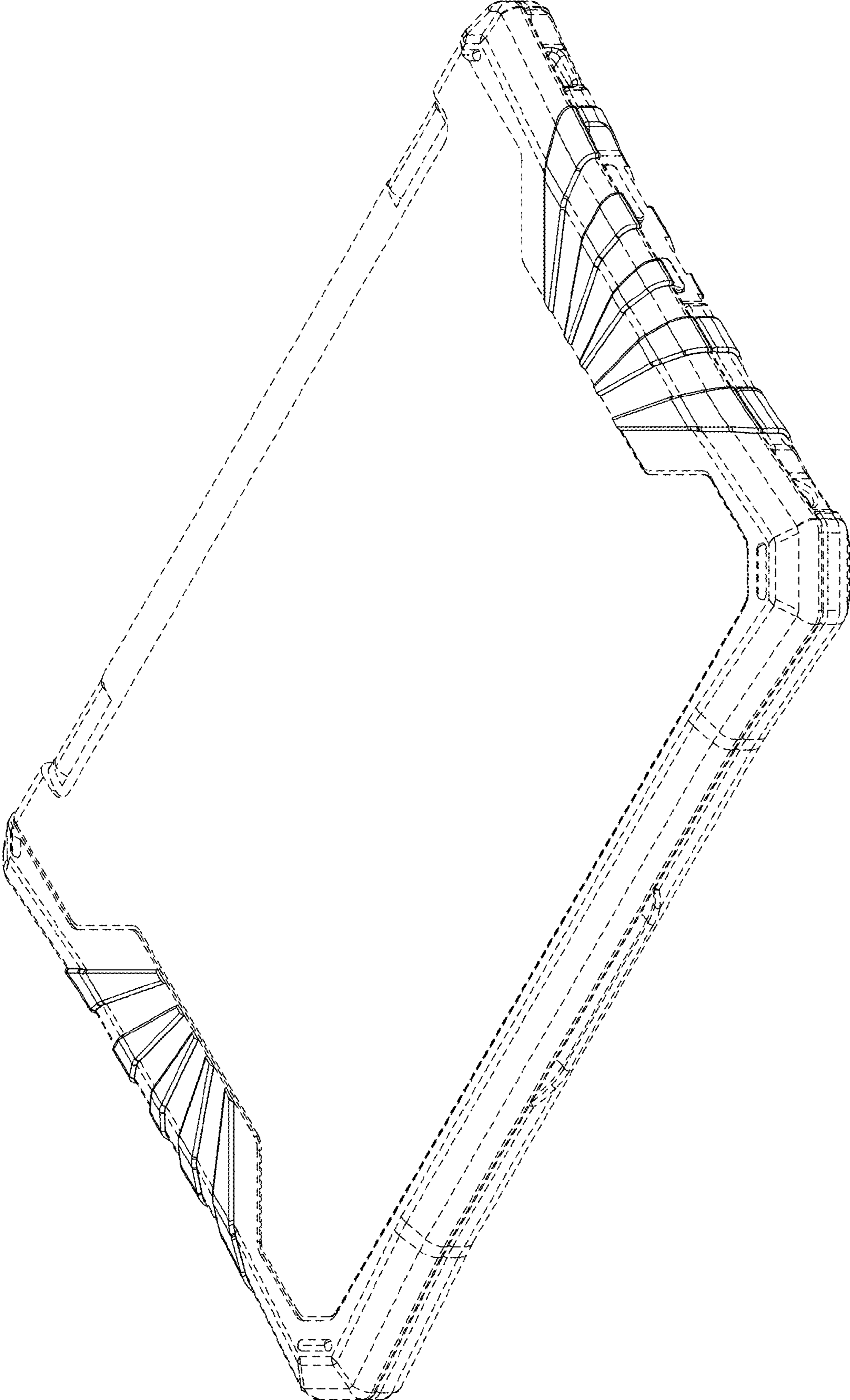


FIG. 1

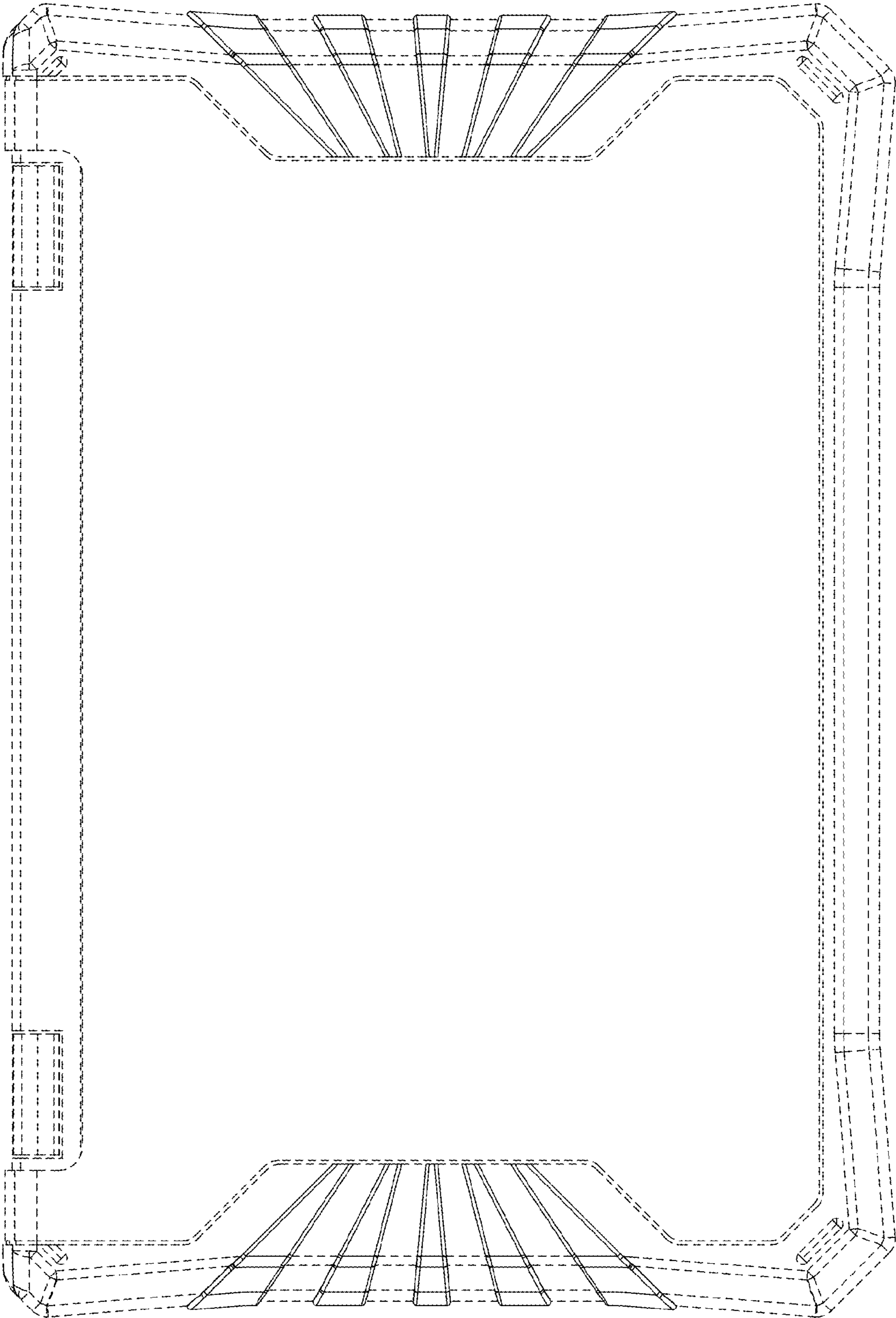


FIG. 2

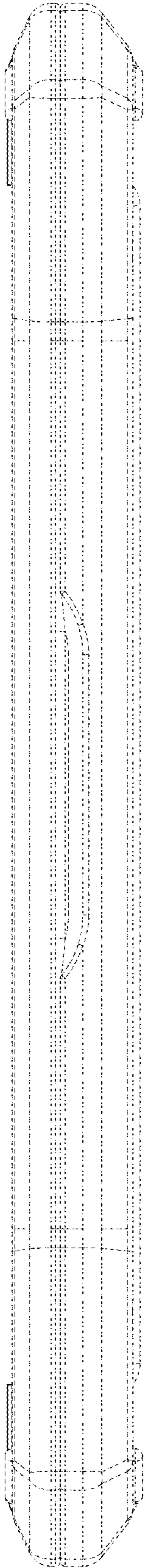


FIG. 3

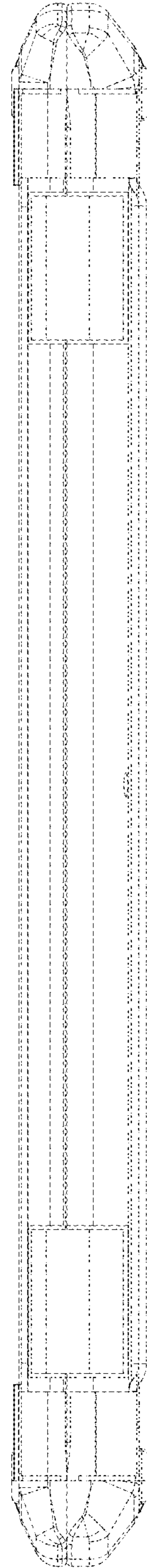


FIG. 4

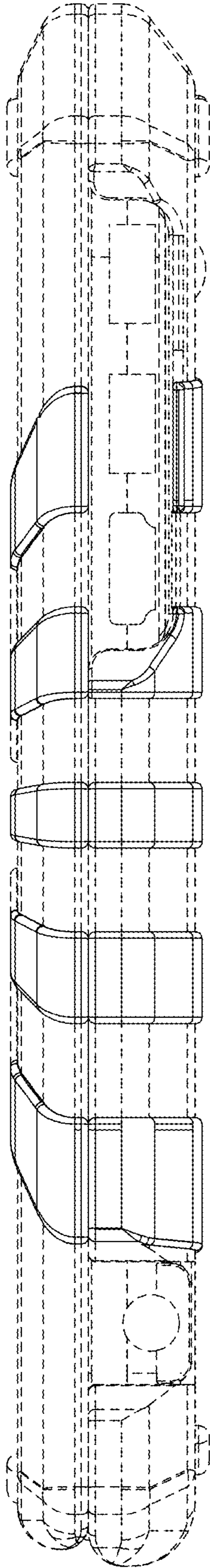


FIG. 5

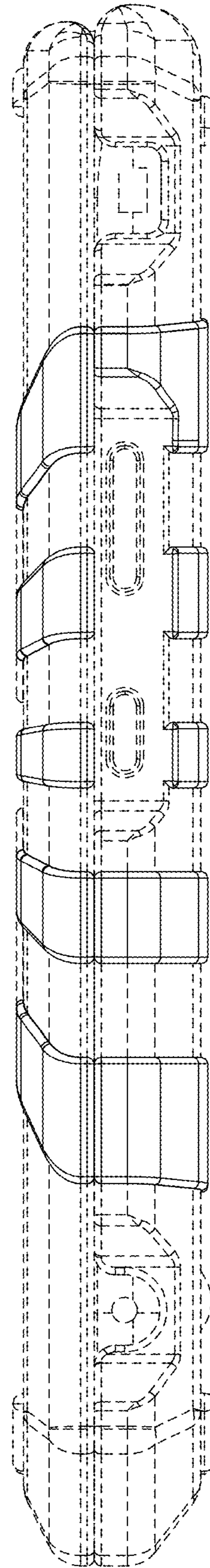


FIG. 6

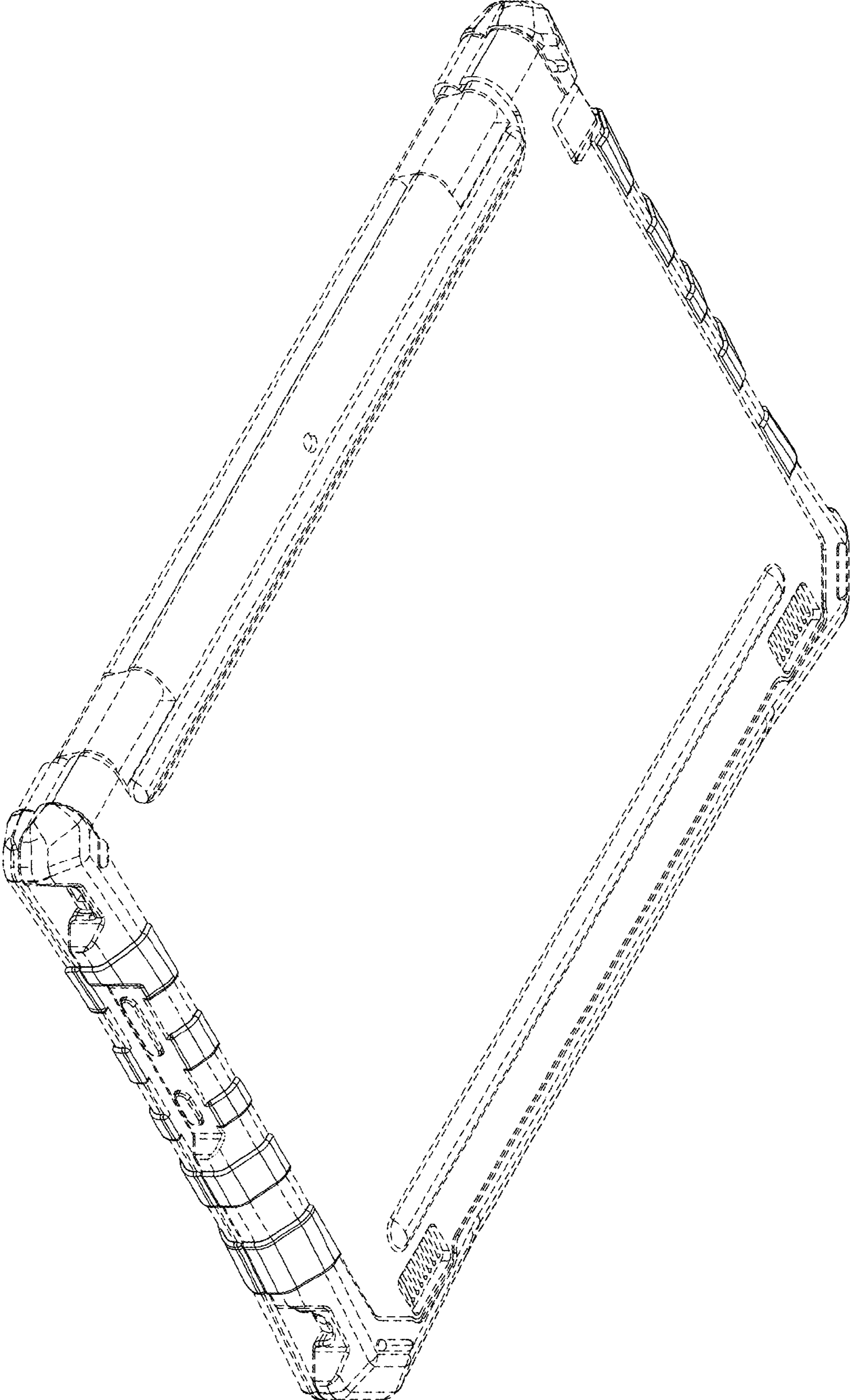


FIG. 7

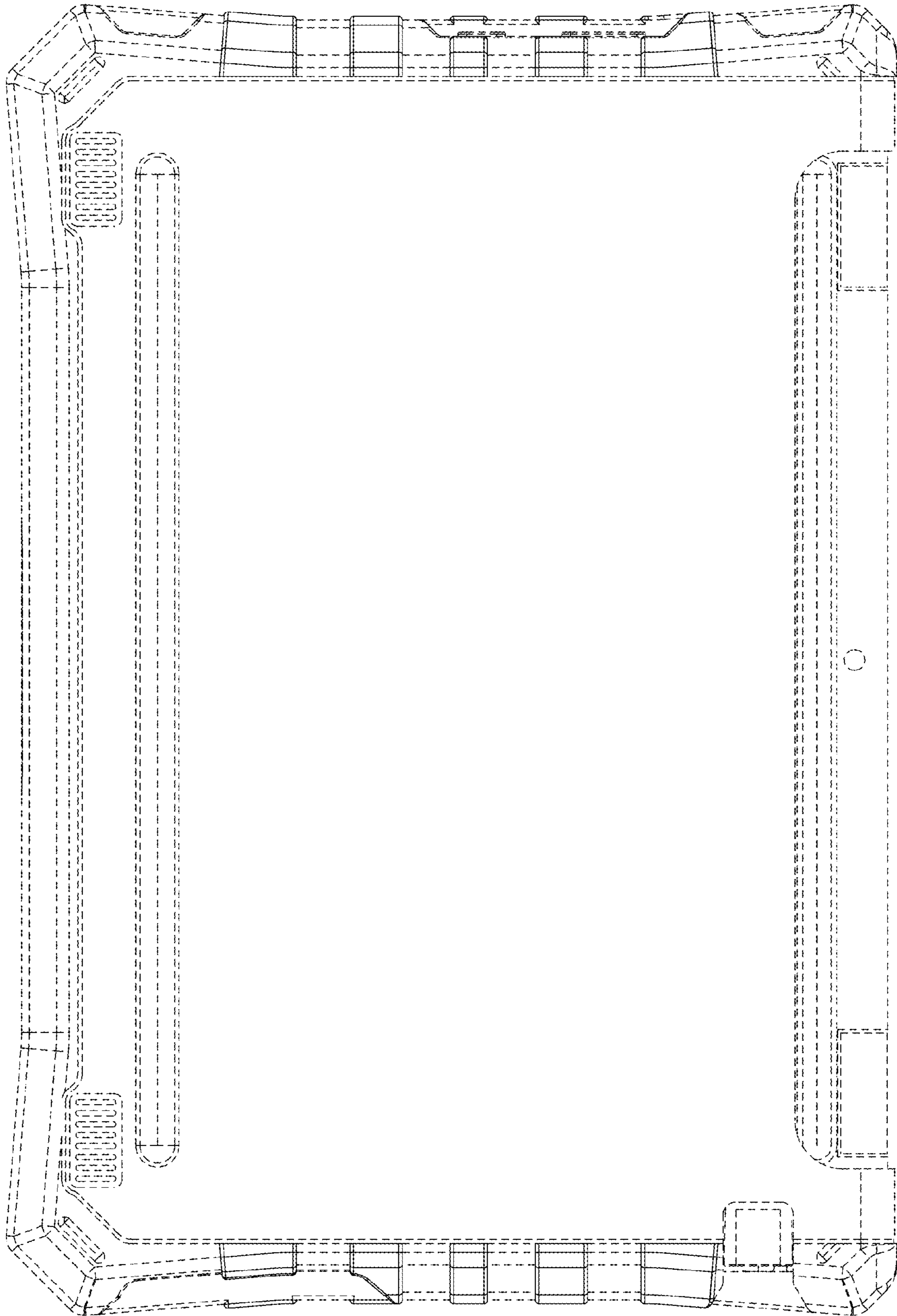


FIG. 8