



US00D877508S

(12) **United States Design Patent**  
**Korey et al.**

(10) **Patent No.:** **US D877,508 S**  
(45) **Date of Patent:** **\*\* Mar. 10, 2020**

(54) **LUGGAGE**

FOREIGN PATENT DOCUMENTS

(71) Applicant: **JRSK, Inc.**, New York, NY (US)

CA 1285250 6/1991  
CA 2928310 A1 5/2015

(72) Inventors: **Stephanie Korey**, New York, NY (US);  
**Jennifer Rubio**, New York, NY (US);  
**Bret Recor**, San Francisco, CA (US);  
**Seth Murray**, San Francisco, CA (US);  
**Charles Weber**, San Francisco, CA (US);  
**Ahyoung Park**, San Francisco, CA (US)

(Continued)

OTHER PUBLICATIONS

Travel+Leisure, "6 Smart Suitcases That Won't Break Airlines' New Rules", Published Apr. 17, 2010. (<https://www.travelandleisure.com/style/travel-bags/smart-luggage-with-removable-battery>) (Year: 2010).\*

(73) Assignee: **JRSK, Inc.**, New York, NY (US)

(Continued)

(\*\*) Term: **15 Years**

*Primary Examiner* — April Rivas

(21) Appl. No.: **29/609,838**

(74) *Attorney, Agent, or Firm* — Proskauer Rose LLP

(22) Filed: **Jul. 6, 2017**

**Related U.S. Application Data**

(63) Continuation of application No. 14/935,335, filed on Nov. 6, 2015, now Pat. No. 10,219,599.

(51) **LOC (12) Cl.** ..... **03-01**

(52) **U.S. Cl.**  
USPC ..... **D3/279**

(58) **Field of Classification Search**  
USPC ..... D3/272, 273, 276, 279, 289, 318, 321, D3/322, 328

CPC .... A45C 5/00; A45C 5/03; A45C 5/04; A45C 2009/005; A45C 13/262; A45C 13/28

See application file for complete search history.

(56) **References Cited**

U.S. PATENT DOCUMENTS

2,005,004 A 6/1935 Peo  
2,009,035 A 7/1935 Towers  
2,016,520 A 10/1935 Short  
2,040,559 A 5/1936 Luttrell  
2,064,594 A 12/1936 Dickey  
2,325,806 A 8/1943 Simmons

(Continued)

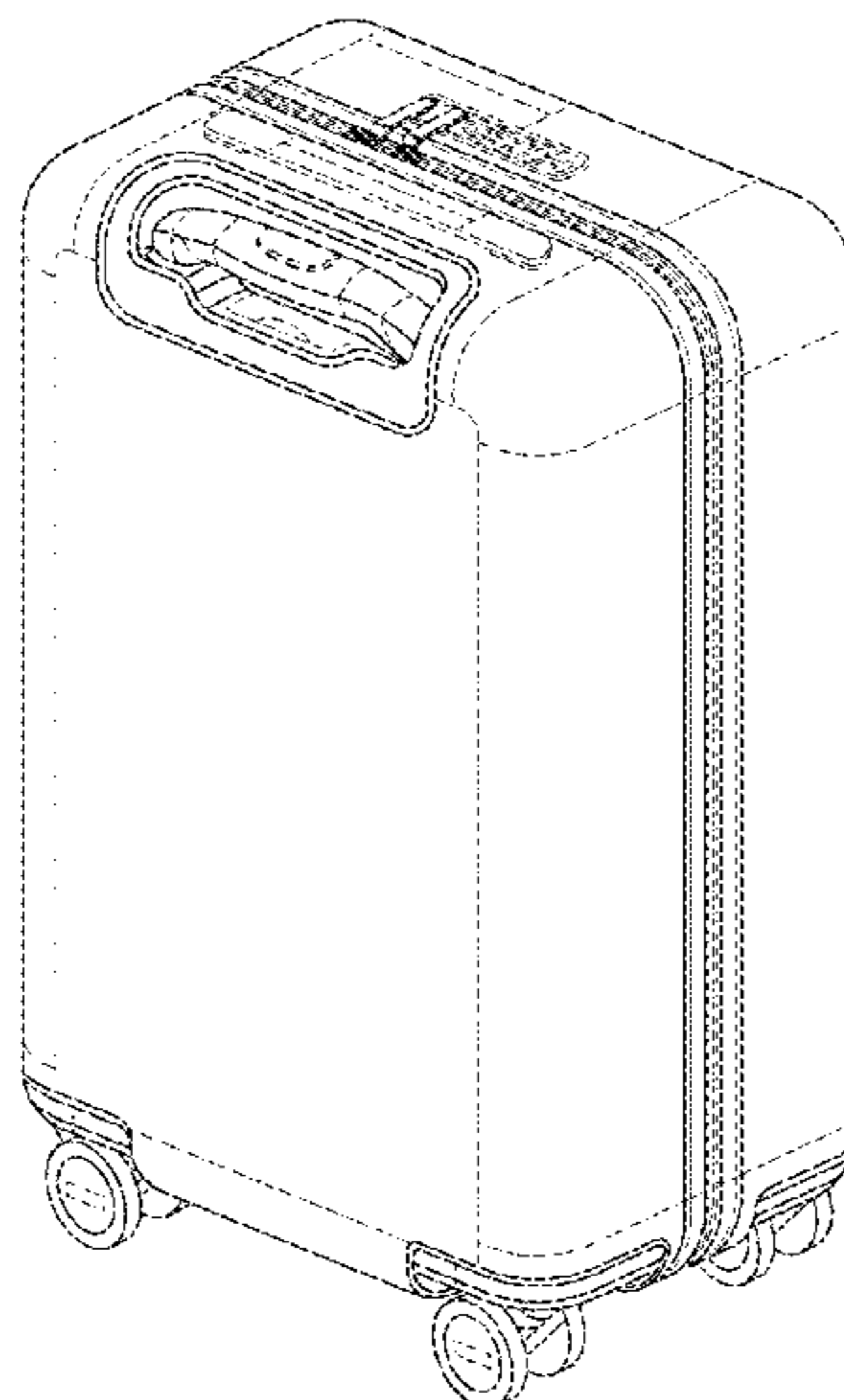
(57) **CLAIM**

The ornamental design for a luggage, as shown and described.

**DESCRIPTION**

FIG. 1 is a rear perspective view of a piece of luggage showing our new, original and ornamental design embodied therein, in accordance with the present invention;  
FIG. 2 is a front perspective view of the piece of luggage of FIG. 1;  
FIG. 3 is an elevated front view of the piece of luggage of FIG. 1;  
FIG. 4 is an elevated rear perspective view of the piece of luggage of FIG. 1; and,  
FIG. 5 is a bottom view of the piece of luggage of FIG. 1. Any dash-dash broken lines in the drawings, including any dash-dash broken line over a claimed surface, represent unclaimed portions of the piece of luggage and form no part of the claimed design.

**1 Claim, 5 Drawing Sheets**



(56)

References Cited

U.S. PATENT DOCUMENTS

3,315,772 A 4/1967 Katz  
 3,963,102 A 6/1976 Carp  
 4,244,453 A 1/1981 Herz  
 4,411,343 A 10/1983 Cassimally  
 4,580,667 A 4/1986 Herwood  
 4,693,368 A 9/1987 King  
 4,773,515 A 9/1988 Kotkins  
 4,854,431 A 8/1989 Pulichino  
 4,856,627 A 8/1989 Polatov  
 4,913,252 A 4/1990 Bartley  
 4,966,259 A 10/1990 Bergman  
 5,048,649 A 9/1991 Carpenter  
 5,054,589 A 10/1991 Bomes  
 5,105,920 A 4/1992 Grebenstein  
 5,160,001 A 11/1992 Marceau  
 5,217,119 A 6/1993 Hollingsworth  
 5,316,096 A 5/1994 Good  
 5,330,026 A 7/1994 Hsu  
 5,398,807 A 3/1995 Plath  
 5,515,954 A 5/1996 Nordstrom  
 5,522,943 A 6/1996 Spencer  
 5,535,880 A 7/1996 Plath  
 5,566,797 A 10/1996 Van Himbeeck  
 5,621,299 A 4/1997 Krall  
 5,639,109 A 6/1997 Liang  
 5,666,265 A 9/1997 Lutz  
 5,671,831 A 9/1997 Chiu  
 5,685,403 A 11/1997 Morszeck  
 5,690,196 A 11/1997 Wang  
 D392,099 S 3/1998 Wang  
 5,782,325 A 7/1998 O'Shea  
 5,875,876 A 3/1999 Wang  
 5,922,489 A 7/1999 Adachi  
 D417,134 S 11/1999 Workman  
 5,992,588 A 11/1999 Morszeck  
 6,050,374 A \* 4/2000 Johnston ..... A45C 5/14  
 16/405  
 D425,301 S 5/2000 Sagol  
 6,073,738 A 6/2000 Abraham  
 D428,698 S 8/2000 Cheng  
 D428,797 S 8/2000 Lin  
 6,109,402 A 8/2000 Godshaw  
 D434,224 S 11/2000 Tiramani  
 6,147,602 A 11/2000 Bender  
 6,158,872 A 12/2000 Rodgers  
 D435,967 S 1/2001 Tiramani  
 D438,005 S 2/2001 Tiramani  
 6,213,266 B1 4/2001 Hollingsworth  
 6,220,411 B1 4/2001 Scicluna  
 6,267,485 B1 7/2001 Rodgers  
 D447,929 S 9/2001 Chang  
 D448,275 S 9/2001 Kuo  
 6,378,642 B1 4/2002 Sutton  
 6,390,259 B1 5/2002 Lu  
 6,408,997 B1 6/2002 Chen  
 6,434,032 B1 8/2002 Romano  
 6,481,574 B1 11/2002 Pakosh  
 6,502,656 B2 1/2003 Weiss  
 D472,713 S 4/2003 Lee  
 6,575,274 B1 6/2003 Huang  
 6,591,950 B1 7/2003 Scicluna  
 D479,651 S 9/2003 Shen  
 6,655,565 B2 12/2003 Godshaw  
 D489,531 S 5/2004 Oh  
 D497,480 S 10/2004 Drew  
 6,805,225 B2 10/2004 Freedman  
 6,837,346 B2 1/2005 Hollingsworth  
 D506,313 S 6/2005 Neumann  
 6,923,302 B2 8/2005 Godshaw  
 6,975,221 B2 12/2005 Monck  
 7,082,641 B1 8/2006 Jung  
 7,140,479 B2 11/2006 Mangano  
 7,143,878 B2 12/2006 Selvi  
 7,204,330 B1 4/2007 Lauren  
 7,296,665 B2 11/2007 Morszeck

7,322,583 B2 1/2008 Kim  
 D563,101 S 3/2008 Kuchler  
 7,358,449 B2 4/2008 Hannon  
 7,374,183 B1 5/2008 Yen-Lung  
 D570,601 S 6/2008 Drew  
 7,394,165 B2 7/2008 Schiller  
 7,398,868 B2 7/2008 Morszeck  
 7,422,476 B2 9/2008 Marmaropoulos  
 7,557,705 B2 7/2009 Oas  
 7,593,222 B2 9/2009 Zbikowski  
 7,641,030 B2 1/2010 Selvi  
 D613,054 S 4/2010 Morszeck  
 7,884,570 B2 2/2011 Purdy  
 D633,300 S 3/2011 Fair  
 7,900,758 B2 3/2011 King  
 7,916,025 B2 3/2011 Locker  
 RE42,385 E 5/2011 Wong  
 7,954,610 B2 6/2011 Dayton et al.  
 D640,868 S 7/2011 Jongchul  
 8,006,326 B2 8/2011 Thomas  
 8,056,185 B2 11/2011 Lai  
 8,104,594 B2 1/2012 Chisholm  
 8,118,146 B2 2/2012 Shalgi  
 8,125,186 B2 2/2012 Carkner  
 D659,395 S 5/2012 Sijmons  
 8,245,825 B2 8/2012 Yoneno  
 8,316,483 B2 11/2012 Thomas  
 8,359,708 B2 1/2013 Scicluna  
 8,386,814 B2 2/2013 Tom  
 8,453,813 B2 6/2013 Lai  
 8,499,417 B1 8/2013 Lai  
 D694,008 S 11/2013 Morszeck  
 D695,012 S 12/2013 Morszeck  
 D695,016 S 12/2013 Moon  
 D695,518 S 12/2013 Morszeck  
 8,607,947 B2 12/2013 Morszeck  
 D696,865 S 1/2014 Morszeck  
 D699,438 S 2/2014 Mathieu  
 D703,433 S 4/2014 Morszeck  
 8,783,420 B2 7/2014 Lai  
 D711,648 S \* 8/2014 Chen ..... D3/279  
 D714,056 S \* 9/2014 Weng ..... D3/279  
 D714,057 S \* 9/2014 Hou ..... D3/279  
 8,843,770 B2 9/2014 Ghosh  
 D715,541 S 10/2014 Morszeck  
 8,884,583 B2 11/2014 Edwards  
 D720,537 S 1/2015 Taller  
 D720,928 S 1/2015 Roncato  
 D722,771 S 2/2015 Wu  
 8,988,038 B2 3/2015 Samuel  
 D728,236 S 5/2015 Virassamy  
 D730,050 S 5/2015 Hogan  
 9,101,186 B2 8/2015 Lai  
 D740,557 S \* 10/2015 Liao ..... D3/279  
 D740,558 S 10/2015 Liao  
 D743,168 S 11/2015 Niu  
 D744,898 S 12/2015 Morszeck  
 D745,433 S 12/2015 Morszeck  
 9,198,492 B2 12/2015 Chehebar  
 D752,867 S 4/2016 Morszeck  
 9,380,845 B2 \* 7/2016 Sheikh ..... A45C 5/03  
 9,419,258 B2 8/2016 Pickens  
 9,425,632 B2 8/2016 Pickens  
 D767,893 S 10/2016 Diz  
 D768,985 S 10/2016 Morszeck  
 D771,385 S 11/2016 Morszeck  
 D771,948 S \* 11/2016 Bhatnagar ..... D3/318  
 D779,211 S 2/2017 Diz  
 D784,016 S 4/2017 Morszeck  
 D784,021 S 4/2017 Morszeck  
 D784,702 S 4/2017 Morszeck  
 D785,336 S 5/2017 Morszeck  
 D785,337 S 5/2017 Morszeck  
 D785,937 S 5/2017 Morszeck  
 D805,771 S \* 12/2017 Newson ..... D3/279  
 10,034,527 B2 \* 7/2018 Korey ..... A45C 13/03  
 D834,313 S \* 11/2018 Teng ..... D3/289  
 2002/0148743 A1 10/2002 Tong  
 2002/0185350 A1 12/2002 Chang

(56)

References Cited

U.S. PATENT DOCUMENTS

2002/0195304 A1 12/2002 Godshaw  
 2003/0000784 A1 1/2003 Hsu  
 2003/0188943 A1 10/2003 Freedman  
 2003/0234515 A1 12/2003 Han  
 2004/0065518 A1 4/2004 Hoberman  
 2004/0065519 A1 4/2004 Morszeck  
 2004/0085043 A1 5/2004 Germagian  
 2004/0108179 A1 6/2004 Scicluna  
 2004/0129469 A1 7/2004 Kader  
 2005/0000964 A1 1/2005 Morszeck  
 2005/0045500 A1 3/2005 Mangano  
 2005/0098402 A1 5/2005 Cohen  
 2005/0194227 A1 9/2005 Mitchell  
 2006/0032687 A1 2/2006 Park  
 2006/0077058 A1 4/2006 Asher  
 2006/0201764 A1 9/2006 Morszeck  
 2006/0225981 A1 10/2006 Lin  
 2006/0243550 A1 11/2006 Morszeck  
 2007/0007737 A1 1/2007 Dayton  
 2007/0034424 A1 2/2007 Snowden  
 2007/0045072 A1 3/2007 Selvi  
 2007/0090702 A1 4/2007 Schiller  
 2007/0131462 A1 6/2007 Hemsley  
 2008/0029153 A1 2/2008 Margalit  
 2008/0087513 A1 4/2008 Majeau  
 2008/0180059 A1 7/2008 Carrier  
 2009/0139814 A1 6/2009 Grossman  
 2010/0163359 A1 7/2010 Shalgi  
 2010/0294607 A1 11/2010 Morszeck  
 2010/0320047 A1 12/2010 Morszeck  
 2011/0011761 A1 1/2011 Enmon  
 2011/0050162 A1 3/2011 FallHowe  
 2011/0174583 A1 7/2011 Yoneno et al.  
 2011/0186396 A1 8/2011 Sheikh  
 2011/0272232 A1 11/2011 Sheikh  
 2012/0046177 A1 2/2012 Huang et al.  
 2012/0111679 A1 5/2012 Van Den Biggelaar  
 2012/0152677 A1 6/2012 Lu  
 2012/0161712 A1 6/2012 Saito  
 2012/0247897 A1 10/2012 Sheikh  
 2012/0255824 A1 10/2012 Schnell et al.  
 2012/0262117 A1 10/2012 Ferber  
 2013/0032443 A1 2/2013 Soedomo  
 2013/0056373 A1 3/2013 Benson  
 2013/0098721 A1 4/2013 Lai  
 2013/0126286 A1 5/2013 Chehebar  
 2013/0175130 A1 7/2013 Liang  
 2013/0221898 A1 8/2013 Frost  
 2013/0233661 A1 9/2013 Scott  
 2013/0248309 A1 9/2013 Lein  
 2013/0255335 A1 10/2013 Jonely  
 2013/0271063 A1 10/2013 Wilson  
 2013/0300343 A1 11/2013 Files  
 2014/0027224 A1 1/2014 Lai  
 2014/0041978 A1 2/2014 Chang  
 2014/0076679 A1 3/2014 Hughes  
 2014/0131156 A1 5/2014 Farrelly  
 2014/0158564 A1 6/2014 Blasingame  
 2014/0238801 A1\* 8/2014 Lai ..... A45C 7/0031  
 190/105  
 2014/0283335 A1 9/2014 Meersschaert  
 2014/0327401 A1 11/2014 Pickens  
 2014/0353104 A1 12/2014 Sheikh  
 2015/0014108 A1 1/2015 Vecellio  
 2015/0021132 A1 1/2015 Sijmons  
 2015/0021133 A1\* 1/2015 Xu ..... A45C 5/03  
 190/18 A  
 2015/0027835 A1 1/2015 Moon  
 2015/0027836 A1 1/2015 Zhou  
 2015/0034440 A1 2/2015 Lai  
 2015/0084578 A1 3/2015 Pickens  
 2015/0084592 A1 3/2015 Pickens  
 2015/0084596 A1 3/2015 Pickens  
 2015/0089903 A1 4/2015 Carey  
 2015/0118534 A1 4/2015 Rolfs et al.

2015/0144448 A1\* 5/2015 Chen ..... A45C 13/262  
 190/115  
 2015/0144449 A1 5/2015 Sheikh  
 2015/0207350 A1 7/2015 Chen et al.  
 2015/0290039 A1 10/2015 McCulloch et al.  
 2015/0295441 A1 10/2015 Winger  
 2015/0318716 A1 11/2015 Pickens  
 2015/0326044 A1 11/2015 Ashley  
 2015/0348347 A1\* 12/2015 Diz ..... E05B 39/005  
 340/5.61  
 2016/0004287 A1 1/2016 Qiu  
 2016/0022002 A1\* 1/2016 Selvi ..... A45C 5/14  
 190/18 A  
 2016/0029757 A1\* 2/2016 Karl ..... A45C 5/14  
 190/18 A  
 2016/0051022 A1 2/2016 Morszeck  
 2016/0141904 A1 5/2016 Zhijian  
 2016/0153626 A1 6/2016 Ozaka et al.  
 2016/0255928 A1 9/2016 O'Donnell  
 2016/0255934 A1 9/2016 Attebery  
 2016/0262510 A1 9/2016 Shalgi  
 2016/0278492 A1 9/2016 Morszeck  
 2016/0286912 A1 10/2016 Morszeck  
 2016/0308381 A1 10/2016 Edwards  
 2016/0322843 A1 11/2016 Pickens  
 2016/0322844 A1 11/2016 Pickens  
 2016/0329537 A1 11/2016 Foreman et al.  
 2016/0338463 A1 11/2016 Morszeck  
 2016/0381499 A1 12/2016 Draghici  
 2017/0079398 A1 3/2017 Reh  
 2017/0091500 A1 3/2017 Reh  
 2017/0100961 A1 4/2017 Diz  
 2017/0103292 A1 4/2017 Reh  
 2017/0103598 A1 4/2017 Diz  
 2017/0117742 A1 4/2017 Nakhjiri  
 2017/0127776 A1 5/2017 Korey  
 2017/0127781 A1 5/2017 Korey  
 2017/0127782 A1 5/2017 Korey  
 2017/0127783 A1 5/2017 Korey  
 2017/0332753 A1\* 11/2017 Lai ..... A45C 5/03

FOREIGN PATENT DOCUMENTS

CA 2899478 2/2016  
 CN 104082929 10/2014  
 CN 204426982 U 12/2014  
 CN 204444632 U 7/2015  
 CN 204599651 U 9/2015  
 CN 0204682824 U 10/2015  
 CN 104082929 B 1/2016  
 CN 105639954 A 6/2016  
 EP 0940099 9/1999  
 JP 2007185407 7/2007  
 TW M410495 U 9/2011  
 WO 199408485 A1 4/1994  
 WO 1994008484 A1 4/1994  
 WO 95019118 A1 7/1995  
 WO 1995019118 A1 7/1995  
 WO 199631140 A1 10/1996  
 WO 199725894 A1 7/1997  
 WO 2001019214 A1 2/2001  
 WO 2002065869 A1 8/2002  
 WO 2003007748 A1 1/2003  
 WO 2004095971 A1 11/2004  
 WO 2004103114 12/2004  
 WO 2004103114 A1 12/2004  
 WO 2004107141 A1 12/2004  
 WO 2007014804 A1 8/2005  
 WO 2007063302 A1 6/2007  
 WO 2007073590 A1 7/2007  
 WO 2008104558 A1 9/2008  
 WO 2008131796 A1 11/2008  
 WO 2009002499 A9 4/2009  
 WO 2009045542 A1 4/2009  
 WO 2009077215 A1 6/2009  
 WO 2010135402 A2 11/2010  
 WO 2011112655 A1 9/2011  
 WO 2011139318 A1 11/2011

(56)

**References Cited**

FOREIGN PATENT DOCUMENTS

WO 2012046177 A1 4/2012  
 WO 2013126459 A2 8/2013  
 WO 2013142984 A1 10/2013  
 WO 2014048763 A1 4/2014  
 WO 2014073971 A1 5/2014  
 WO 2014154855 10/2014  
 WO 2014154855 A1 10/2014  
 WO 2014166665 A1 10/2014  
 WO 2014170116 A1 10/2014  
 WO 2015006948 A1 1/2015  
 WO 2015048871 A1 4/2015  
 WO 2015091554 A1 6/2015  
 WO 2015063752 A1 7/2015  
 WO 2015100415 A1 7/2015  
 WO 2015107207 A1 7/2015  
 WO 2015121293 A1 8/2015  
 WO 2015177124 A1 11/2015  
 WO 2015183949 A1 12/2015  
 WO 2015193447 A1 12/2015  
 WO 2016025906 A1 2/2016  
 WO 20160259061 2/2016  
 WO 2016116425 A1 7/2016  
 WO 2016202777 A1 12/2016

WO 2016202783 A1 12/2016  
 WO 2017021312 A1 2/2017  
 WO 2017021392 A1 2/2017  
 WO 2017079707 A1 5/2017

OTHER PUBLICATIONS

QVC, "Heys 3-piece Hardside Spinner Luggage Set w/Duffel", First reviewed Nov. 17, 2014. (<https://www.qvc.com/Heys-3-piece-Hardside-Spinner-Luggage-Set-wDuffel.product.F10978.html>) (Year: 2014).\*

International Search Report (ISR) from the International Searching Authority (ISA) in International Application No. PCT/US16/60738, dated Feb. 27, 2017, 5 Pages.

Written Opinion (WO) of the International Searching Authority (ISA) in International Application No. PCT/US16/60738, dated Feb. 27, 2017, 16 Pages.

Lojel LookBook, Photography by Agnon Wong & Taby Cheng, Published on the WWW, 2015, 23 Pages.

Office Action dated Jul. 31, 2017 for U.S. Appl. No. 14/935,335; (pp. 1-12).

Office Action dated Sep. 21, 2017 for U.S. Appl. No. 15/333,270; (pp. 1-10).

\* cited by examiner

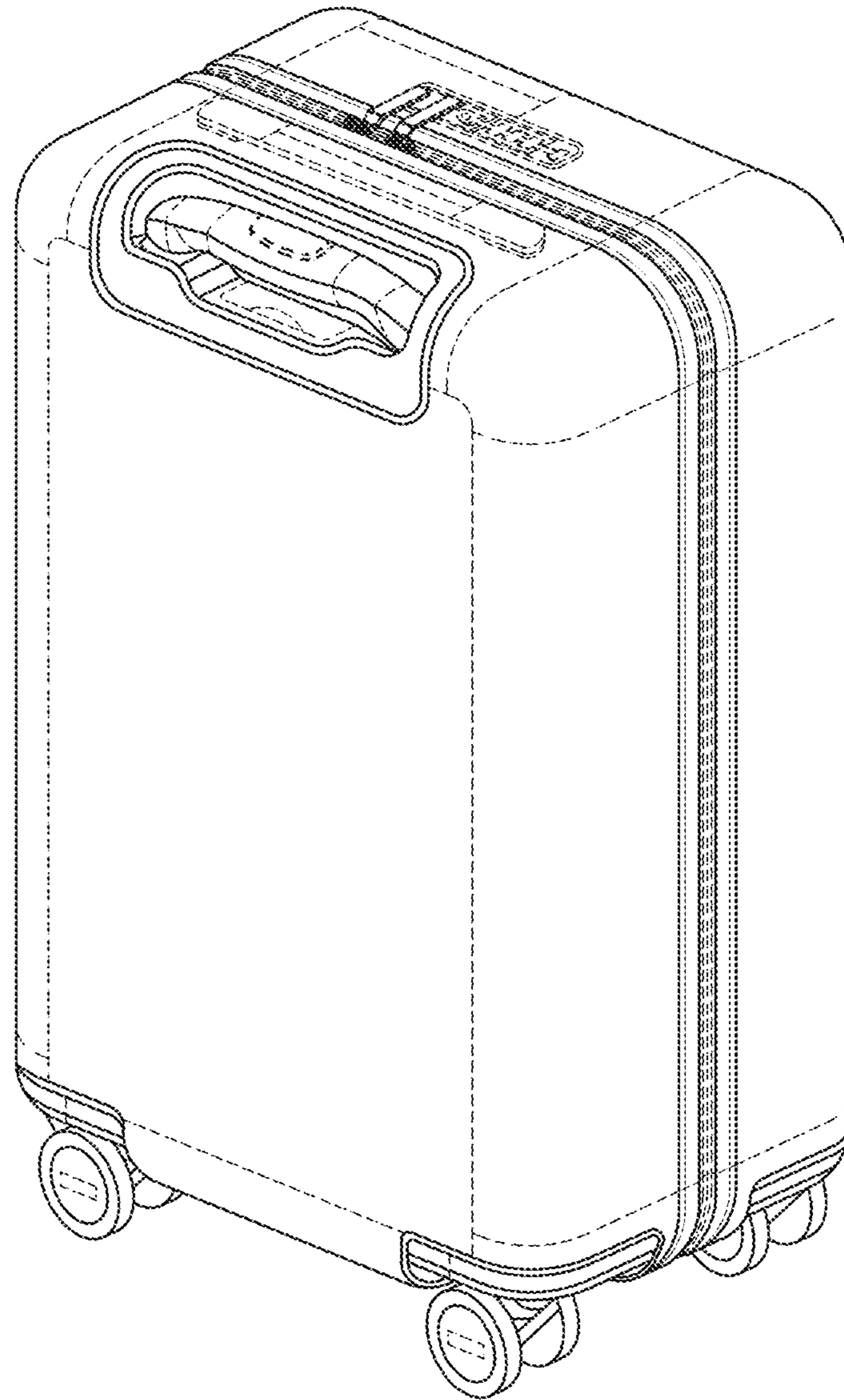


FIG. 1

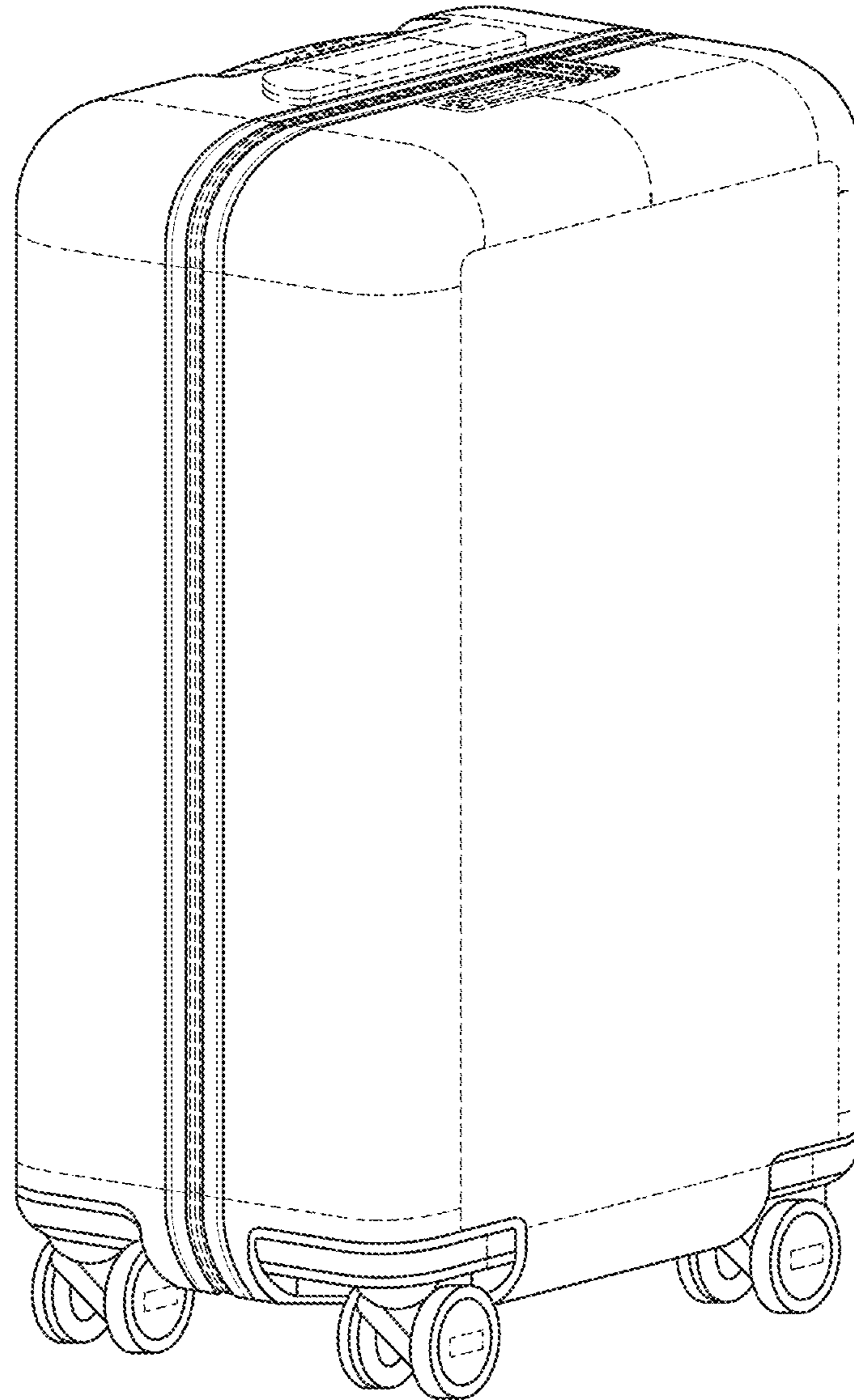


FIG. 2

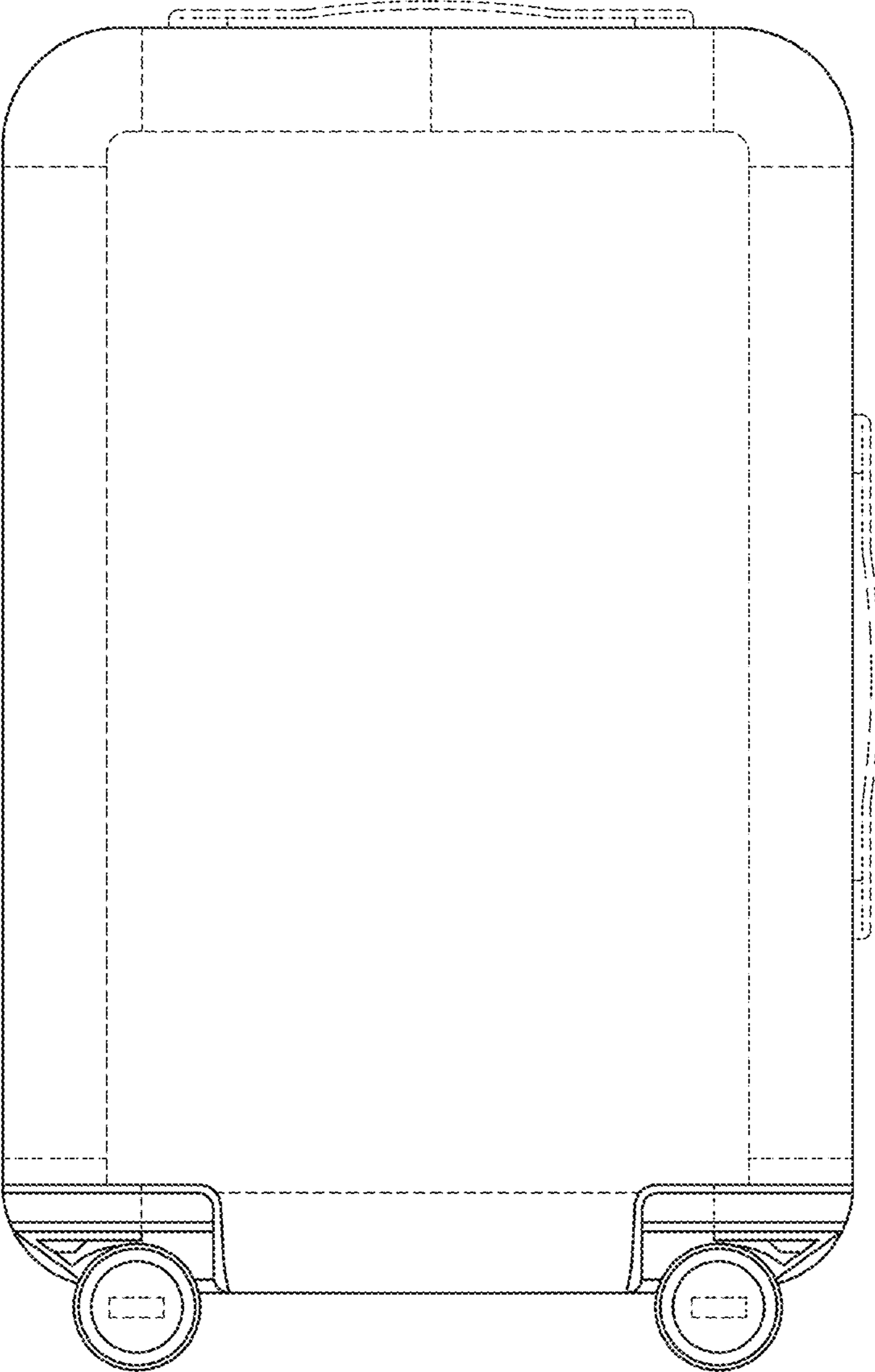


FIG. 3

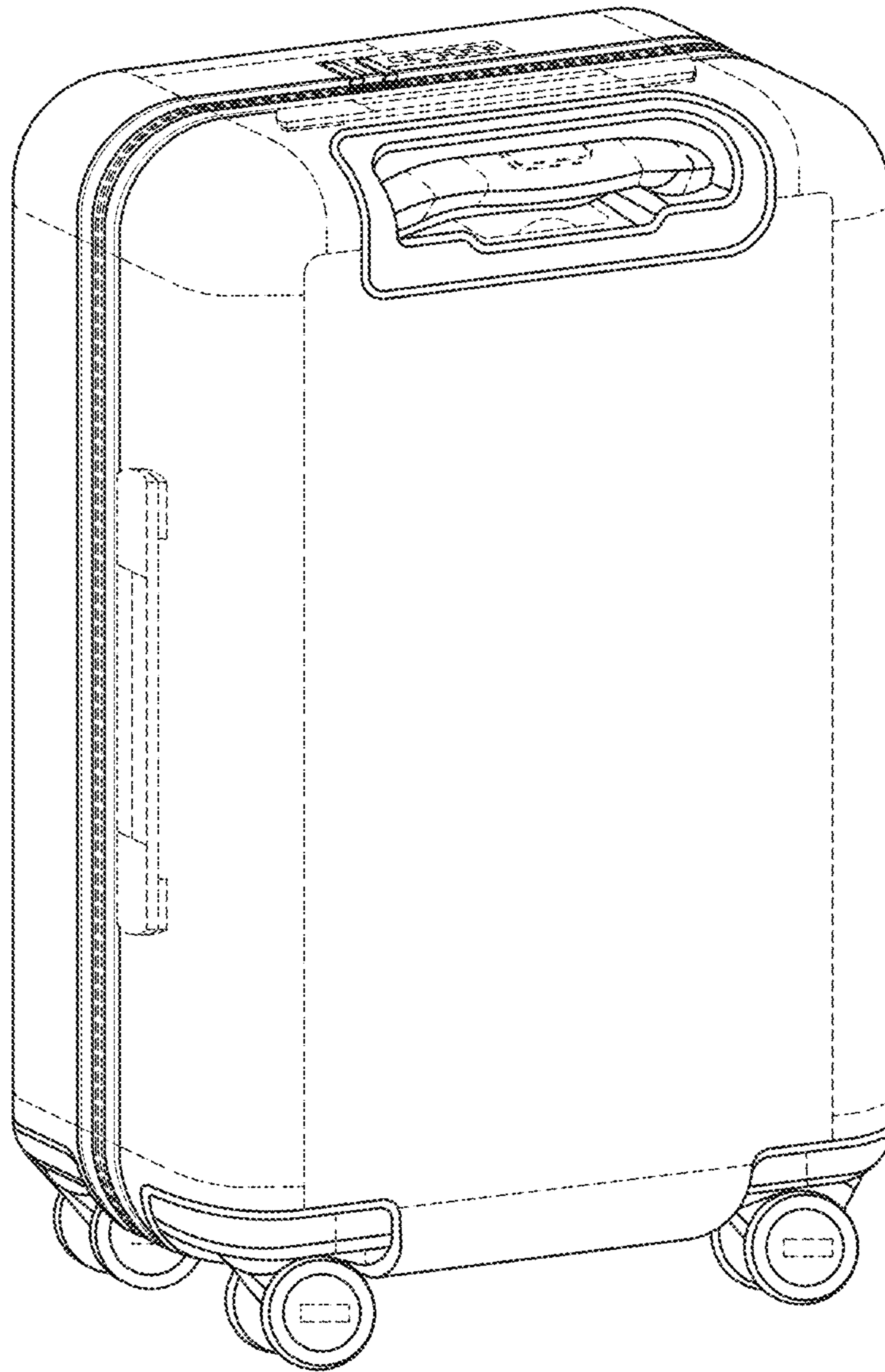


FIG. 4



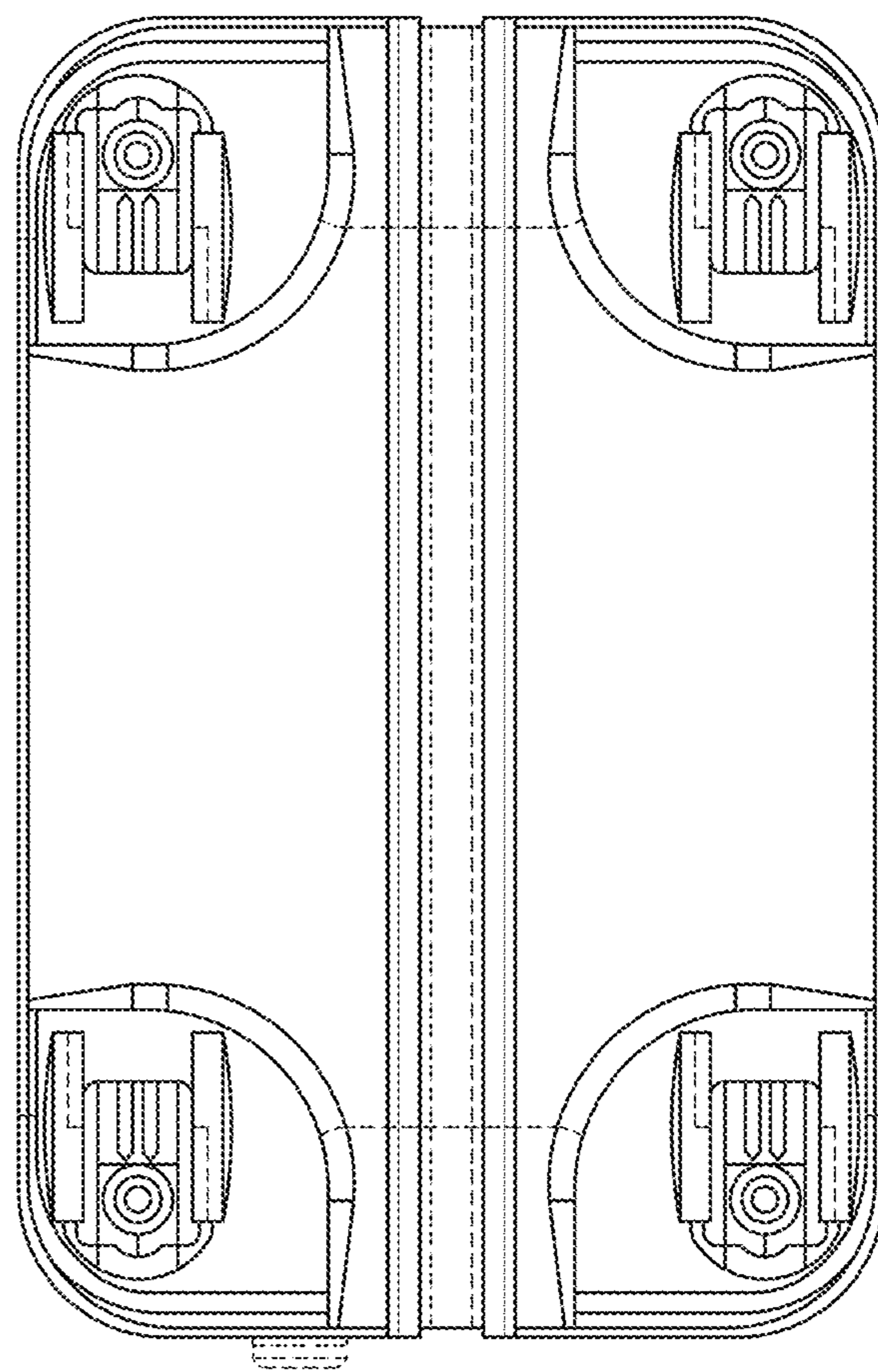


FIG. 5