



US00D877507S

(12) **United States Design Patent** (10) **Patent No.:** **US D877,507 S**
Korey et al. (45) **Date of Patent:** **** Mar. 10, 2020**

(54) **LUGGAGE**

FOREIGN PATENT DOCUMENTS

(71) Applicant: **JRSK, Inc.**, New York, NY (US)

CA 1285250 6/1991
CA 2928310 A1 5/2015

(72) Inventors: **Stephanie Korey**, New York, NY (US);
Jennifer Rubio, New York, NY (US);
Bret Recor, San Francisco, CA (US);
Seth Murray, San Francisco, CA (US);
Charles Weber, San Francisco, CA (US);
Ahyoung Park, San Francisco, CA (US)

(Continued)

OTHER PUBLICATIONS

Travel+Leisure, "6 Smart Suitcases That Won't Break Airlines' New Rules", Published Apr. 17, 2010. (<https://www.travelandleisure.com/style/travel-bags/smart-luggage-with-removable-battery>) (Year: 2010).*

(73) Assignee: **JRSK, Inc.**, New York, NY (US)

(Continued)

(**) Term: **15 Years**

Primary Examiner — April Rivas

(21) Appl. No.: **29/609,837**

(74) *Attorney, Agent, or Firm* — Proskauer Rose LLP

(22) Filed: **Jul. 6, 2017**

Related U.S. Application Data

(63) Continuation of application No. 14/935,335, filed on Nov. 6, 2015, now Pat. No. 10,219,599.

(51) **LOC (12) Cl.** **03-01**

(52) **U.S. Cl.**

USPC **D3/279**

(58) **Field of Classification Search**

USPC D3/272, 273, 276, 279, 289, 318, 321, D3/322, 328

CPC A45C 5/00; A45C 5/03; A45C 5/04; A45C 2009/005; A45C 13/262; A45C 13/28

See application file for complete search history.

(56) **References Cited**

U.S. PATENT DOCUMENTS

2,005,004 A 6/1935 Peo
2,009,035 A 7/1935 Towers
2,016,520 A 10/1935 Short
2,040,559 A 5/1936 Luttrell
2,064,594 A 12/1936 Dickey
2,325,806 A 8/1943 Simmons

(Continued)

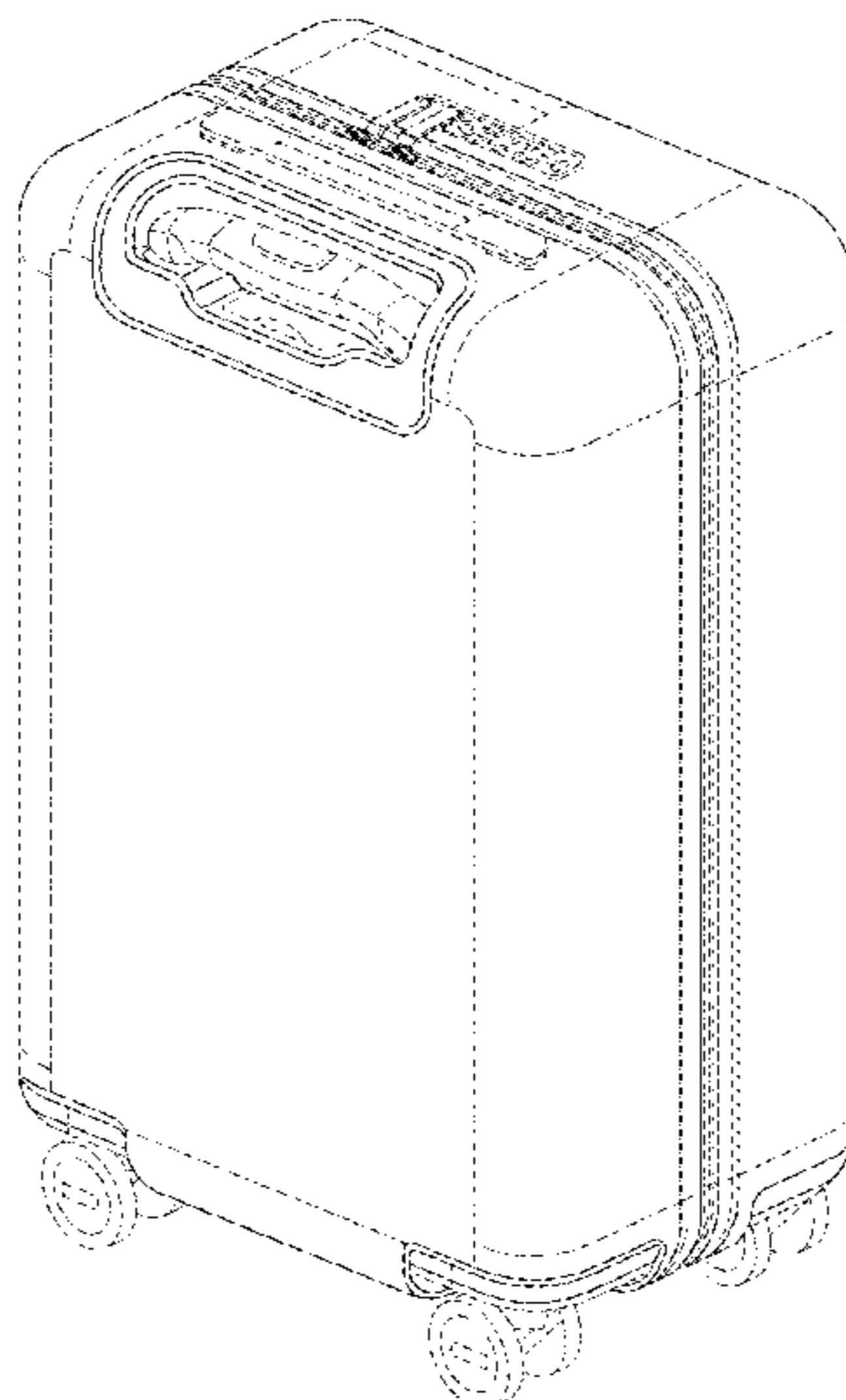
(57) **CLAIM**

The ornamental design for a luggage, as shown and described.

DESCRIPTION

FIG. 1 is a rear perspective view of a piece of luggage showing our new, original and ornamental design embodied therein, in accordance with the present invention;
FIG. 2 is a front perspective view of the piece of luggage of FIG. 1;
FIG. 3 is an elevated front view of the piece of luggage of FIG. 1;
FIG. 4 is an elevated rear perspective view of the piece of luggage of FIG. 1; and,
FIG. 5 is a bottom view of the piece of luggage of FIG. 1. Any dash-dash broken lines in the drawings, including any dash-dash broken line over a claimed surface, represent unclaimed portions of the piece of luggage and form no part of the claimed design.

1 Claim, 5 Drawing Sheets



(56)

References Cited

U.S. PATENT DOCUMENTS

3,315,772 A	4/1967	Katz		7,322,583 B2	1/2008	Kim	
3,963,102 A	6/1976	Carp		D563,101 S	3/2008	Kuchler	
4,244,453 A	1/1981	Herz		7,358,449 B2	4/2008	Hannon	
4,411,343 A	10/1983	Cassimally		7,374,183 B1	5/2008	Yen-Lung	
4,580,667 A	4/1986	Herwood		D570,601 S	6/2008	Drew	
4,693,368 A	9/1987	King		7,394,165 B2	7/2008	Schiller	
4,773,515 A	9/1988	Kotkins		7,398,868 B2	7/2008	Morszeck	
4,854,431 A	8/1989	Pulichino		7,422,476 B2	9/2008	Marmaropoulos	
4,856,627 A	8/1989	Polatov		7,557,705 B2	7/2009	Oas	
4,913,252 A	4/1990	Bartley		7,593,222 B2	9/2009	Zbikowski	
4,966,259 A	10/1990	Bergman		7,641,030 B2	1/2010	Selvi	
5,048,649 A	9/1991	Carpenter		D613,054 S	4/2010	Morszeck	
5,054,589 A	10/1991	Bomes		7,884,570 B2	2/2011	Purdy	
5,105,920 A	4/1992	Grebenstein		D633,300 S	3/2011	Fair	
5,160,001 A	11/1992	Marceau		7,900,758 B2	3/2011	King	
5,217,119 A	6/1993	Hollingsworth		7,916,025 B2	3/2011	Locker	
5,316,096 A	5/1994	Good		RE42,385 E	5/2011	Wong	
5,330,026 A	7/1994	Hsu		7,954,610 B2	6/2011	Dayton et al.	
5,398,807 A	3/1995	Plath		D640,868 S	7/2011	Jongchul	
5,515,954 A	5/1996	Nordstrom		8,006,326 B2	8/2011	Thomas	
5,522,943 A	6/1996	Spencer		8,056,185 B2	11/2011	Lai	
5,535,880 A	7/1996	Plath		8,104,594 B2	1/2012	Chisholm	
5,566,797 A	10/1996	Van Himbeeck		8,118,146 B2	2/2012	Shalgi	
5,621,299 A	4/1997	Krall		8,125,186 B2	2/2012	Carkner	
5,639,109 A	6/1997	Liang		D659,395 S	5/2012	Sijmons	
5,666,265 A	9/1997	Lutz		8,245,825 B2	8/2012	Yoneno	
5,671,831 A	9/1997	Chiu		8,316,483 B2	11/2012	Thomas	
5,685,403 A	11/1997	Morszeck		8,359,708 B2	1/2013	Scicluna	
5,690,196 A	11/1997	Wang		8,386,814 B2	2/2013	Tom	
D392,099 S	3/1998	Wang		8,453,813 B2	6/2013	Lai	
5,782,325 A	7/1998	O'Shea		8,499,417 B1	8/2013	Lai	
5,875,876 A	3/1999	Wang		D694,008 S	11/2013	Morszeck	
5,922,489 A	7/1999	Adachi		D695,012 S	12/2013	Morszeck	
D417,134 S	11/1999	Workman		D695,016 S	12/2013	Moon	
5,992,588 A	11/1999	Morszeck		D695,518 S	12/2013	Morszeck	
6,050,374 A *	4/2000	Johnston	A45C 5/14 16/405	8,607,947 B2	12/2013	Morszeck	
D425,301 S	5/2000	Sagol		D696,865 S	1/2014	Morszeck	
6,073,738 A	6/2000	Abraham		D699,438 S	2/2014	Mathieu	
D428,698 S	8/2000	Cheng		D703,433 S	4/2014	Morszeck	
D428,797 S	8/2000	Lin		8,783,420 B2	7/2014	Lai	
6,109,402 A	8/2000	Godshaw		D711,648 S *	8/2014	Chen	D3/279
D434,224 S	11/2000	Tiramani		D714,056 S *	9/2014	Weng	D3/279
6,147,602 A	11/2000	Bender		D714,057 S *	9/2014	Hou	D3/279
6,158,872 A	12/2000	Rodgers		8,843,770 B2	9/2014	Ghosh	
D435,967 S	1/2001	Tiramani		D715,541 S	10/2014	Morszeck	
D438,005 S	2/2001	Tiramani		8,884,583 B2	11/2014	Edwards	
6,213,266 B1	4/2001	Hollingsworth		D720,537 S	1/2015	Taller	
6,220,411 B1	4/2001	Scicluna		D720,928 S	1/2015	Roncato	
6,267,485 B1	7/2001	Rodgers		D722,771 S	2/2015	Wu	
D447,929 S	9/2001	Chang		8,988,038 B2	3/2015	Samuel	
D448,275 S	9/2001	Kuo		D728,236 S	5/2015	Virassamy	
6,378,642 B1	4/2002	Sutton		D730,050 S	5/2015	Hogan	
6,390,259 B1	5/2002	Lu		9,101,186 B2	8/2015	Lai	
6,408,997 B1	6/2002	Chen		D740,557 S *	10/2015	Liao	D3/279
6,434,032 B1	8/2002	Romano		D740,558 S	10/2015	Liao	
6,481,574 B1	11/2002	Pakosh		D743,168 S	11/2015	Niu	
6,502,656 B2	1/2003	Weiss		D744,898 S	12/2015	Morszeck	
D472,713 S	4/2003	Lee		D745,433 S	12/2015	Morszeck	
6,575,274 B1	6/2003	Huang		9,198,492 B2	12/2015	Chehebar	
6,591,950 B1	7/2003	Scicluna		D752,867 S	4/2016	Morszeck	
D479,651 S	9/2003	Shen		9,380,845 B2 *	7/2016	Sheikh	A45C 5/03
6,655,565 B2	12/2003	Godshaw		9,419,258 B2	8/2016	Pickens	
D489,531 S	5/2004	Oh		9,425,632 B2	8/2016	Pickens	
D497,480 S	10/2004	Drew		D767,893 S	10/2016	Diz	
6,805,225 B2	10/2004	Freedman		D768,985 S	10/2016	Morszeck	
6,837,346 B2	1/2005	Hollingsworth		D771,385 S	11/2016	Morszeck	
D506,313 S	6/2005	Neumann		D771,948 S *	11/2016	Bhatnagar	D3/318
6,923,302 B2	8/2005	Godshaw		D779,211 S	2/2017	Diz	
6,975,221 B2	12/2005	Monck		D784,016 S	4/2017	Morszeck	
7,082,641 B1	8/2006	Jung		D784,021 S	4/2017	Morszeck	
7,140,479 B2	11/2006	Mangano		D784,702 S	4/2017	Morszeck	
7,143,878 B2	12/2006	Selvi		D785,336 S	5/2017	Morszeck	
7,204,330 B1	4/2007	Lauren		D785,337 S	5/2017	Morszeck	
7,296,665 B2	11/2007	Morszeck		D785,937 S	5/2017	Morszeck	
				D805,771 S *	12/2017	Newson	D3/279
				10,034,527 B2 *	7/2018	Korey	A45C 13/03
				D834,313 S *	11/2018	Teng	D3/289
				2002/0148743 A1	10/2002	Tong	
				2002/0185350 A1	12/2002	Chang	

(56)

References Cited

U.S. PATENT DOCUMENTS

2002/0195304 A1 12/2002 Godshaw
 2003/0000784 A1 1/2003 Hsu
 2003/0188943 A1 10/2003 Freedman
 2003/0234515 A1 12/2003 Han
 2004/0065518 A1 4/2004 Hoberman
 2004/0065519 A1 4/2004 Morszeck
 2004/0085043 A1 5/2004 Germagian
 2004/0108179 A1 6/2004 Scicluna
 2004/0129469 A1 7/2004 Kader
 2005/0000964 A1 1/2005 Morszeck
 2005/0045500 A1 3/2005 Mangano
 2005/0098402 A1 5/2005 Cohen
 2005/0194227 A1 9/2005 Mitchell
 2006/0032687 A1 2/2006 Park
 2006/0077058 A1 4/2006 Asher
 2006/0201764 A1 9/2006 Morszeck
 2006/0225981 A1 10/2006 Lin
 2006/0243550 A1 11/2006 Morszeck
 2007/0007737 A1 1/2007 Dayton
 2007/0034424 A1 2/2007 Snowden
 2007/0045072 A1 3/2007 Selvi
 2007/0090702 A1 4/2007 Schiller
 2007/0131462 A1 6/2007 Hemsley
 2008/0029153 A1 2/2008 Margalit
 2008/0087513 A1 4/2008 Majeau
 2008/0180059 A1 7/2008 Carrier
 2009/0139814 A1 6/2009 Grossman
 2010/0163359 A1 7/2010 Shalgi
 2010/0294607 A1 11/2010 Morszeck
 2010/0320047 A1 12/2010 Morszeck
 2011/0011761 A1 1/2011 Enmon
 2011/0050162 A1 3/2011 FallHowe
 2011/0174583 A1 7/2011 Yoneno et al.
 2011/0186396 A1 8/2011 Sheikh
 2011/0272232 A1 11/2011 Sheikh
 2012/0046177 A1 2/2012 Huang et al.
 2012/0111679 A1 5/2012 Van Den Biggelaar
 2012/0152677 A1 6/2012 Lu
 2012/0161712 A1 6/2012 Saito
 2012/0247897 A1 10/2012 Sheikh
 2012/0255824 A1 10/2012 Schnell et al.
 2012/0262117 A1 10/2012 Ferber
 2013/0032443 A1 2/2013 Soedomo
 2013/0056373 A1 3/2013 Benson
 2013/0098721 A1 4/2013 Lai
 2013/0126286 A1 5/2013 Chehebar
 2013/0175130 A1 7/2013 Liang
 2013/0221898 A1 8/2013 Frost
 2013/0233661 A1 9/2013 Scott
 2013/0248309 A1 9/2013 Lein
 2013/0255335 A1 10/2013 Jonely
 2013/0271063 A1 10/2013 Wilson
 2013/0300343 A1 11/2013 Files
 2014/0027224 A1 1/2014 Lai
 2014/0041978 A1 2/2014 Chang
 2014/0076679 A1 3/2014 Hughes
 2014/0131156 A1 5/2014 Farrelly
 2014/0158564 A1 6/2014 Blasingame
 2014/0238801 A1* 8/2014 Lai 190/105
 2014/0283335 A1 9/2014 Meersschaert
 2014/0327401 A1 11/2014 Pickens
 2014/0353104 A1 12/2014 Sheikh
 2015/0014108 A1 1/2015 Vecellio
 2015/0021132 A1 1/2015 Sijmons
 2015/0021133 A1* 1/2015 Xu A45C 5/03
 190/18 A
 2015/0027835 A1 1/2015 Moon
 2015/0027836 A1 1/2015 Zhou
 2015/0034440 A1 2/2015 Lai
 2015/0084578 A1 3/2015 Pickens
 2015/0084592 A1 3/2015 Pickens
 2015/0084596 A1 3/2015 Pickens
 2015/0089903 A1 4/2015 Carey
 2015/0118534 A1 4/2015 Rolfs et al.

2015/0144448 A1* 5/2015 Chen A45C 13/262
 190/115
 2015/0144449 A1 5/2015 Sheikh
 2015/0207350 A1 7/2015 Chen et al.
 2015/0290039 A1 10/2015 McCulloch et al.
 2015/0295441 A1 10/2015 Winger
 2015/0318716 A1 11/2015 Pickens
 2015/0326044 A1 11/2015 Ashley
 2015/0348347 A1* 12/2015 Diz E05B 39/005
 340/5.61
 2016/0004287 A1 1/2016 Qiu
 2016/0022002 A1* 1/2016 Selvi A45C 5/14
 190/18 A
 2016/0029757 A1* 2/2016 Karl A45C 5/14
 190/18 A
 2016/0051022 A1 2/2016 Morszeck
 2016/0141904 A1 5/2016 Zhijian
 2016/0153626 A1 6/2016 Ozaka et al.
 2016/0255928 A1 9/2016 O'Donnell
 2016/0255934 A1 9/2016 Attebery
 2016/0262510 A1 9/2016 Shalgi
 2016/0278492 A1 9/2016 Morszeck
 2016/0286912 A1 10/2016 Morszeck
 2016/0308381 A1 10/2016 Edwards
 2016/0322843 A1 11/2016 Pickens
 2016/0322844 A1 11/2016 Pickens
 2016/0329537 A1 11/2016 Foreman et al.
 2016/0338463 A1 11/2016 Morszeck
 2016/0381499 A1 12/2016 Draghici
 2017/0079398 A1 3/2017 Reh
 2017/0091500 A1 3/2017 Reh
 2017/0100961 A1 4/2017 Diz
 2017/0103292 A1 4/2017 Reh
 2017/0103598 A1 4/2017 Diz
 2017/0117742 A1 4/2017 Nakhjiri
 2017/0127776 A1 5/2017 Korey
 2017/0127781 A1 5/2017 Korey
 2017/0127782 A1 5/2017 Korey
 2017/0127783 A1 5/2017 Korey
 2017/0332753 A1* 11/2017 Lai A45C 5/03

FOREIGN PATENT DOCUMENTS

CA 2899478 2/2016
 CN 2004107141 A1 12/2004
 CN M410495 U 9/2011
 CN 104082929 10/2014
 CN 204426982 U 12/2014
 CN 204444632 U 7/2015
 CN 204599651 U 9/2015
 CN 0204682824 U 10/2015
 CN 104082929 B 1/2016
 CN 105639954 A 6/2016
 EP 0940099 9/1999
 JP 2007185407 7/2007
 WO 199408485 A1 4/1994
 WO 1994008484 A1 4/1994
 WO 95019118 A1 7/1995
 WO 1995019118 A1 7/1995
 WO 199631140 A1 10/1996
 WO 199725894 A1 7/1997
 WO 2001019214 A1 2/2001
 WO 2002065869 A1 8/2002
 WO 2003007748 A1 1/2003
 WO 2004095971 A1 11/2004
 WO 2004103114 12/2004
 WO 2004103114 A1 12/2004
 WO 2007014804 A1 8/2005
 WO 2007063302 A1 6/2007
 WO 2007073590 A1 7/2007
 WO 2008104558 A1 9/2008
 WO 2008131796 A1 11/2008
 WO 2009002499 A9 4/2009
 WO 2009045542 A1 4/2009
 WO 2009077215 A1 6/2009
 WO 2010135402 A2 11/2010
 WO 2011112655 A1 9/2011
 WO 2011139318 A1 11/2011

(56)

References Cited

FOREIGN PATENT DOCUMENTS

WO 2012046177 A1 4/2012
 WO 2013126459 A2 8/2013
 WO 2013142984 A1 10/2013
 WO 2014048763 A1 4/2014
 WO 2014073971 A1 5/2014
 WO 2014154855 10/2014
 WO 2014154855 A1 10/2014
 WO 2014166665 A1 10/2014
 WO 2014170116 A1 10/2014
 WO 2015006948 A1 1/2015
 WO 2015048871 A1 4/2015
 WO 2015091554 A1 6/2015
 WO 2015063752 A1 7/2015
 WO 2015100415 A1 7/2015
 WO 2015107207 A1 7/2015
 WO 2015121293 A1 8/2015
 WO 2015177124 A1 11/2015
 WO 2015183949 A1 12/2015
 WO 2015193447 A1 12/2015
 WO 2016025906 A1 2/2016
 WO 20160259061 2/2016
 WO 2016116425 A1 7/2016
 WO 2016202777 A1 12/2016

WO 2016202783 A1 12/2016
 WO 2017021312 A1 2/2017
 WO 2017021392 A1 2/2017
 WO 2017079707 A1 5/2017

OTHER PUBLICATIONS

QVC, "Heys 3-piece Hardside Spinner Luggage Set w/Duffel", First reviewed Nov. 17, 2014. (<https://www.qvc.com/Heys-3-piece-Hardside-Spinner-Luggage-Set-wDuffel.product.F10978.html>) (Year: 2014).*

International Search Report (ISR) from the International Searching Authority (ISA) in International Application No. PCT/US16/60738, dated Feb. 27, 2017, 5 Pages.

Written Opinion (WO) of the International Searching Authority (ISA) in International Application No. PCT/US16/60738, dated Feb. 27, 2017, 16 Pages.

Lojel LookBook, Photography by Agnon Wong & Taby Cheng, Published on the WWW, 2015, 23 Pages.

Office Action dated Jul. 31, 2017 for U.S. Appl. No. 14/935,335; (pp. 1-12).

Office Action dated Sep. 21, 2017 for U.S. Appl. No. 15/333,270; (pp. 1-10).

* cited by examiner

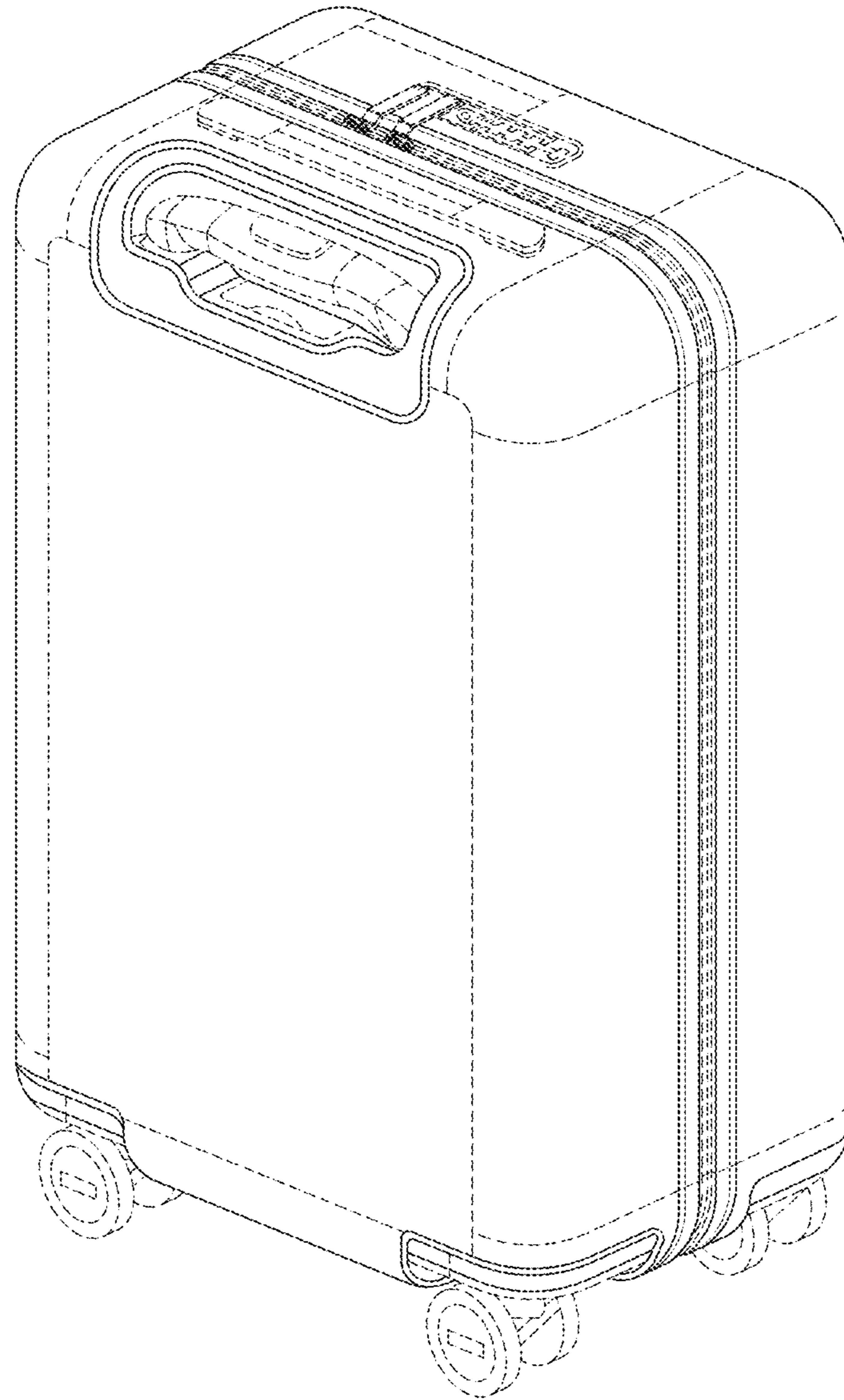


FIG. 1

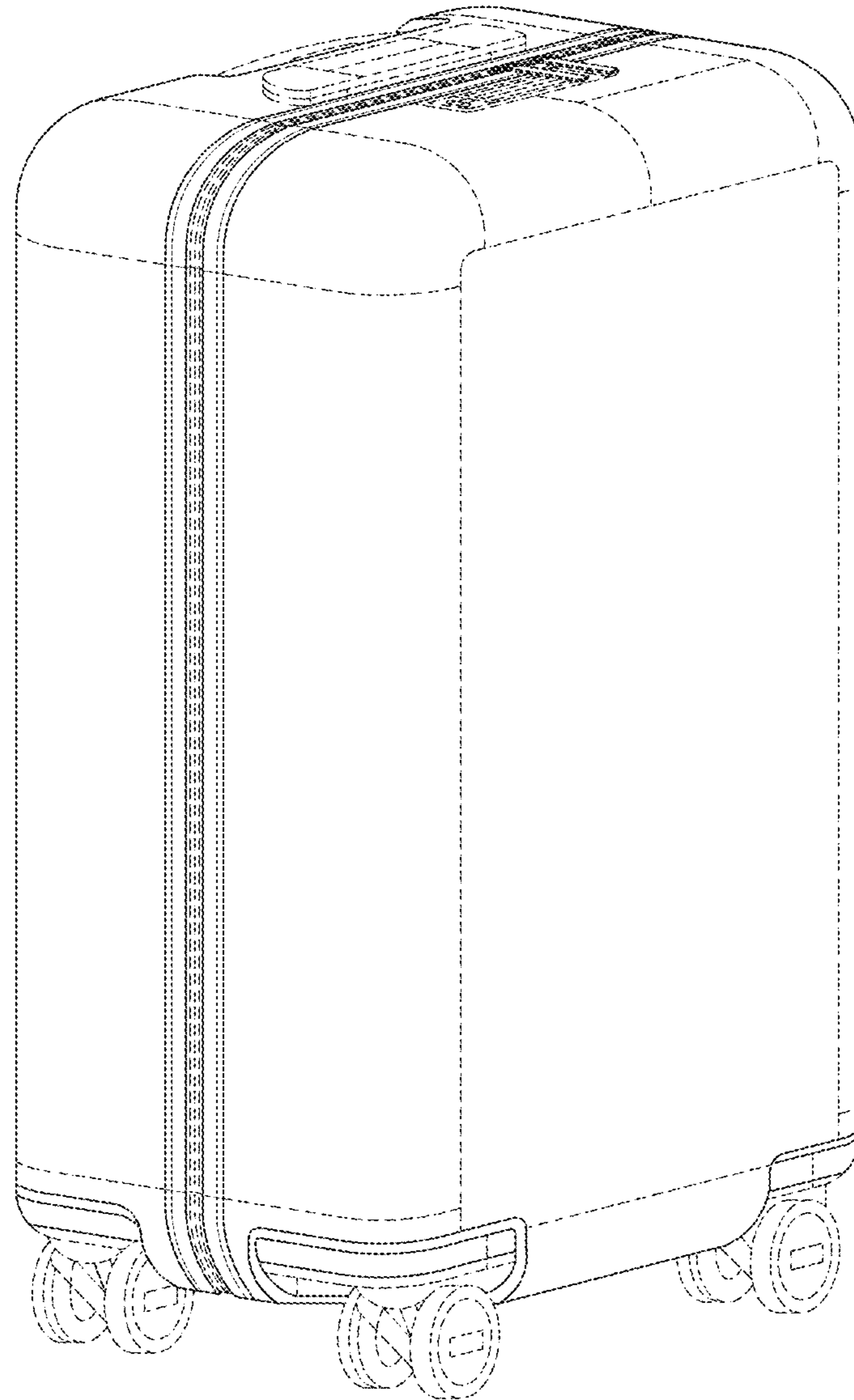


FIG. 2

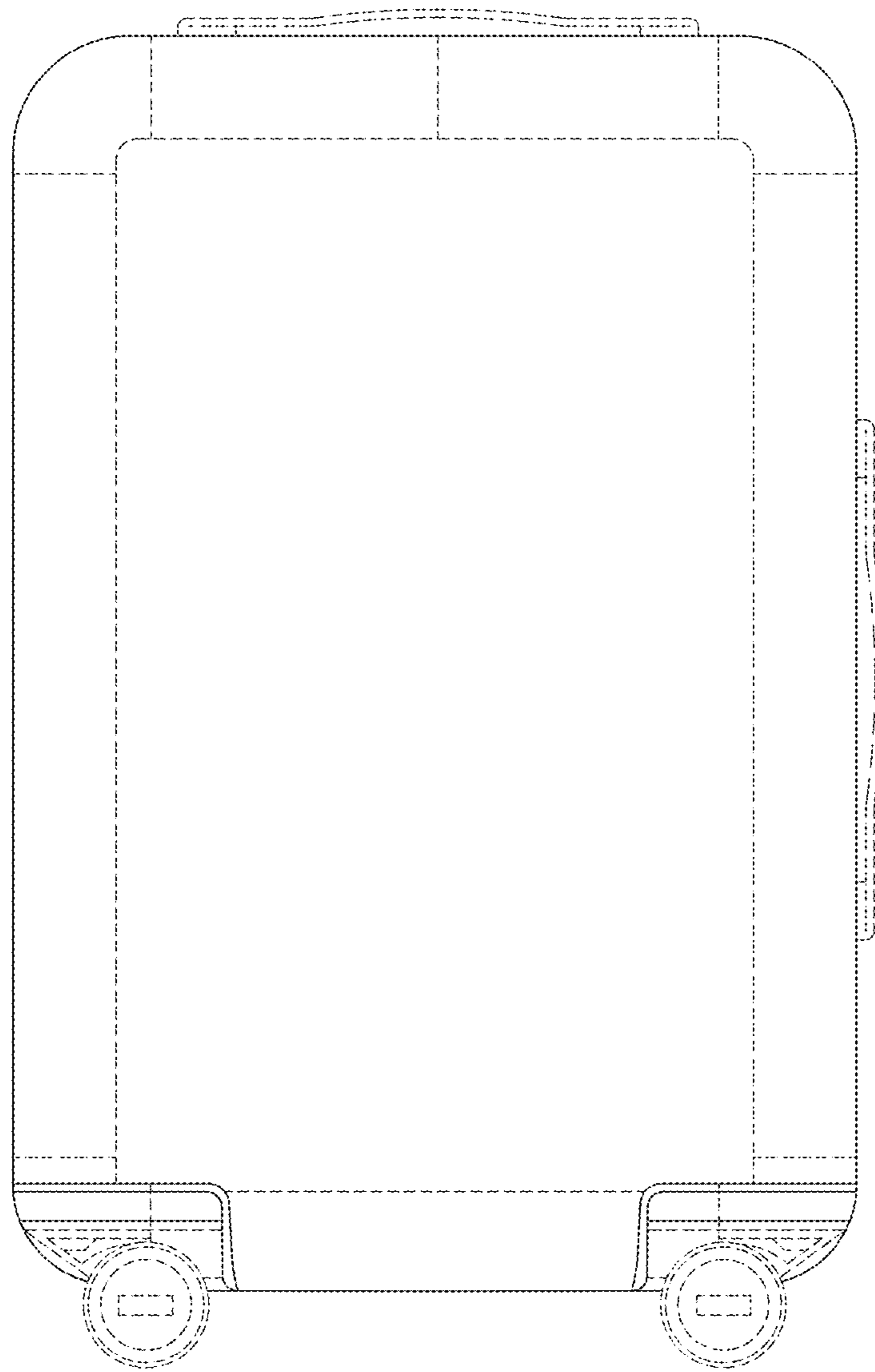


FIG. 3

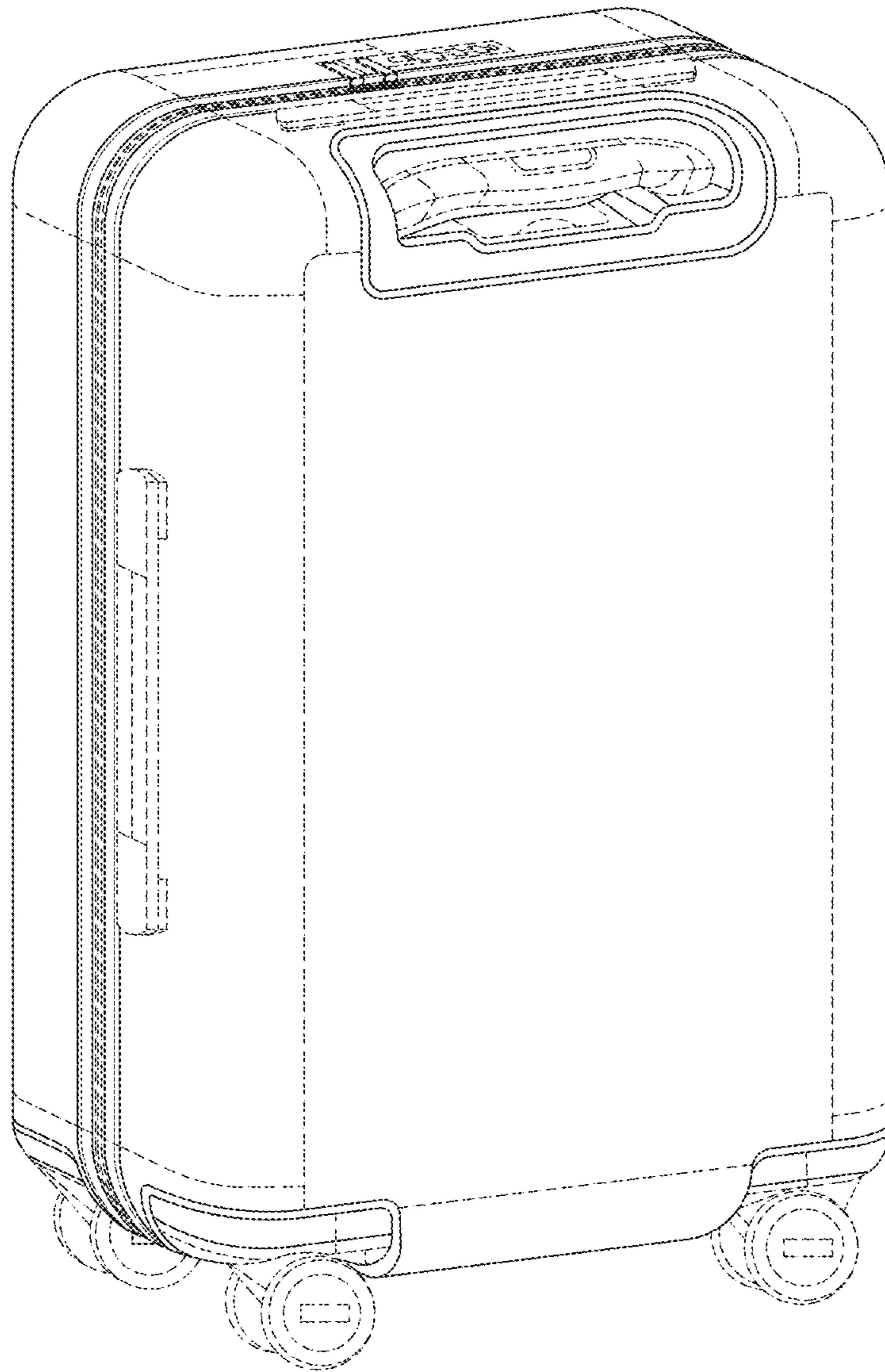


FIG. 4

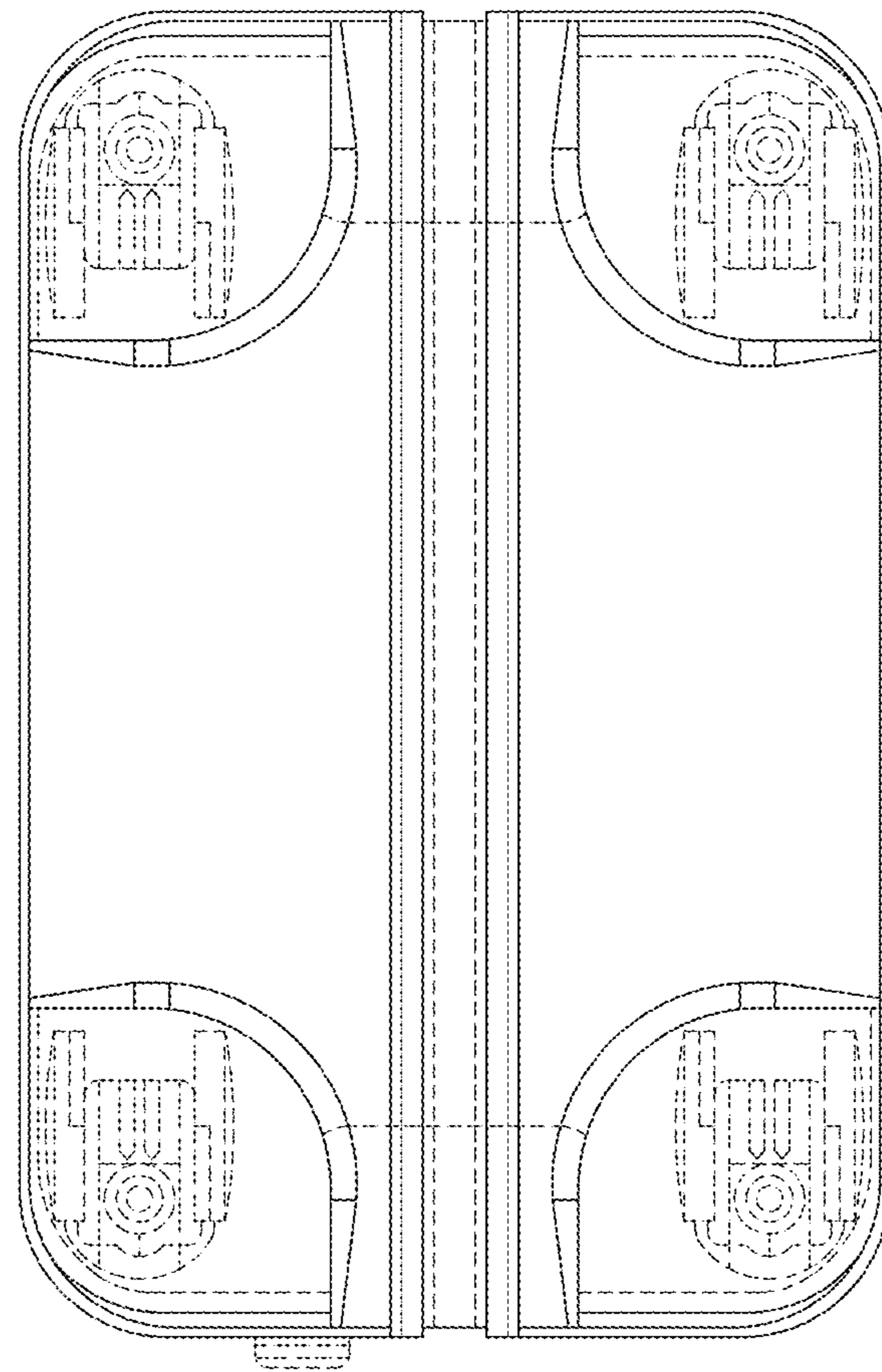


FIG. 5