



US00D877506S

(12) **United States Design Patent** (10) **Patent No.:** **US D877,506 S**
Korey et al. (45) **Date of Patent:** **** Mar. 10, 2020**

(54) **LUGGAGE**

FOREIGN PATENT DOCUMENTS

(71) Applicant: **JRSK, Inc.**, New York, NY (US)
(72) Inventors: **Stephanie Korey**, New York, NY (US);
Jennifer Rubio, New York, NY (US);
Bret Recor, San Francisco, CA (US);
Seth Murray, San Francisco, CA (US);
Charles Weber, San Francisco, CA (US);
Ahyoung Park, San Francisco, CA (US)

CA 1285250 6/1991
CA 2928310 A1 5/2015
(Continued)

(73) Assignee: **JRSK, Inc.**, New York, NY (US)

(**) Term: **15 Years**

(21) Appl. No.: **29/609,834**

(22) Filed: **Jul. 6, 2017**

OTHER PUBLICATIONS

Travel + Leisure, "6 Smart Suitcases That Won't Break Airlines' New Rules", Published Apr. 17, 2010. (<https://www.travelandleisure.com/style/travel-bags/smart-luggage-with-removable-battery>) (Year: 2010).*

(Continued)

Primary Examiner — April Rivas

(74) *Attorney, Agent, or Firm* — Proskauer Rose LLP

Related U.S. Application Data

(63) Continuation of application No. 14/935,335, filed on Nov. 6, 2015, now Pat. No. 10,219,599.

(51) **LOC (12) Cl.** **03-01**

(52) **U.S. Cl.**
USPC **D3/279**

(58) **Field of Classification Search**
USPC D3/272, 273, 276, 279, 289, 318, 321, D3/322, 328
CPC A45C 5/00; A45C 5/03; A45C 5/04; A45C 2009/005; A45C 13/262; A45C 13/28
See application file for complete search history.

(57) **CLAIM**

The ornamental design for a luggage, as shown and described.

(56) **References Cited**

U.S. PATENT DOCUMENTS

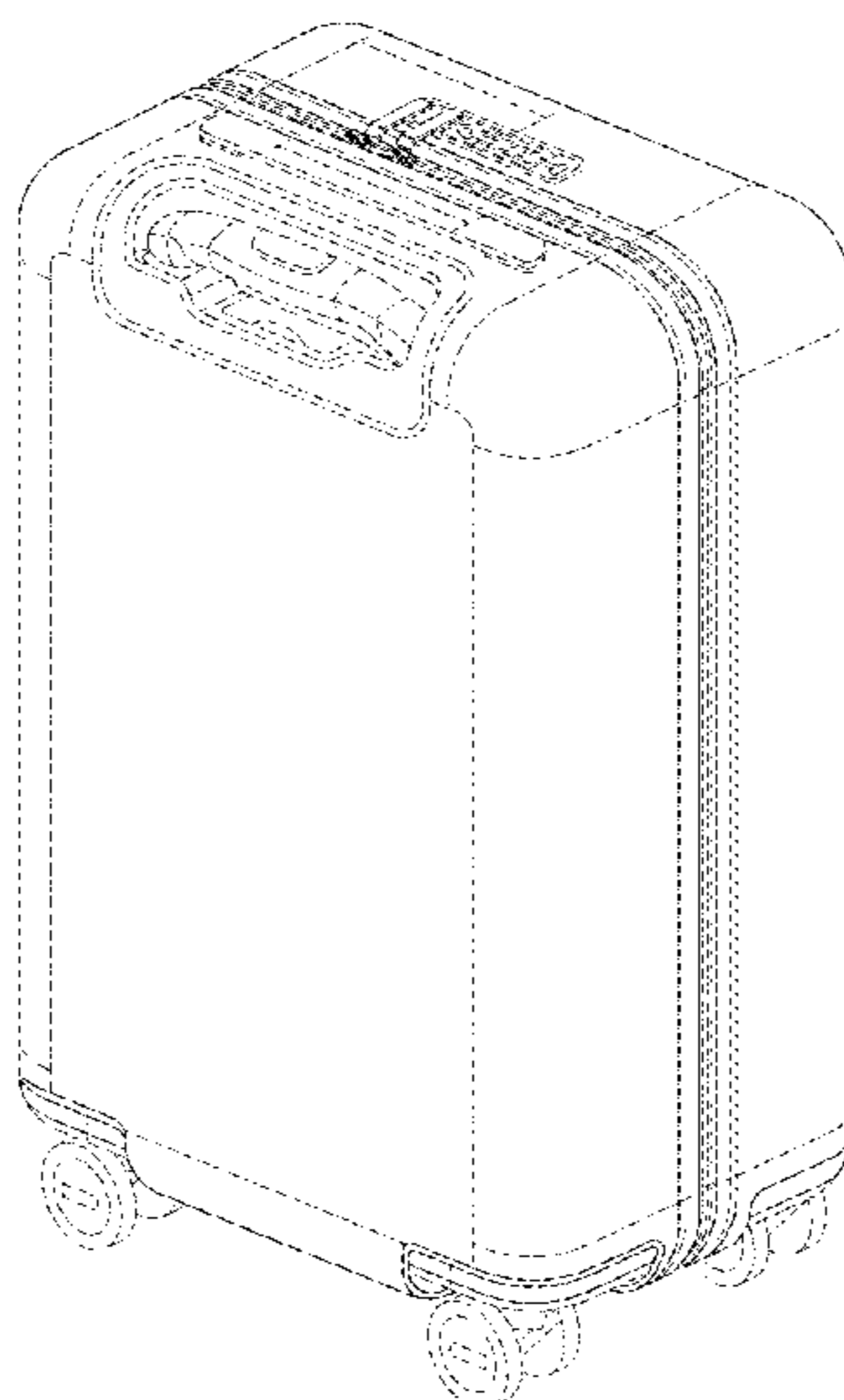
2,005,004 A 6/1935 Peo
2,009,035 A 7/1935 Towers
2,016,520 A 10/1935 Short
2,040,559 A 5/1936 Luttrell
2,064,594 A 12/1936 Dickey
2,325,806 A 8/1943 Simmons

(Continued)

DESCRIPTION

FIG. 1 is a rear perspective view of a piece of luggage showing our new, original and ornamental design embodied therein, in accordance with the present invention;
FIG. 2 is a front perspective view of the piece of luggage of FIG. 1;
FIG. 3 is an elevated front view of the piece of luggage of FIG. 1;
FIG. 4 is an elevated rear perspective view of the piece of luggage of FIG. 1; and,
FIG. 5 is a bottom view of the piece of luggage of FIG. 1. Any dash-dash broken lines in the drawings, including any dash-dash broken line over a claimed surface, represent unclaimed portions of the piece of luggage and form no part of the claimed design.

1 Claim, 5 Drawing Sheets



(56)

References Cited

U.S. PATENT DOCUMENTS

10,034,527 B2 * 7/2018 Korey A45C 13/03
 D834,313 S * 11/2018 Teng D3/289
 2002/0148743 A1 10/2002 Tong
 2002/0185350 A1 12/2002 Chang
 2002/0195304 A1 12/2002 Godshaw
 2003/0000784 A1 1/2003 Hsu
 2003/0188943 A1 10/2003 Freedman
 2003/0234515 A1 12/2003 Han
 2004/0065518 A1 4/2004 Hoberman
 2004/0065519 A1 4/2004 Morszeck
 2004/0085043 A1 5/2004 Germagian
 2004/0108179 A1 6/2004 Scicluna
 2004/0129469 A1 7/2004 Kader
 2005/0000964 A1 1/2005 Morszeck
 2005/0045500 A1 3/2005 Mangano
 2005/0098402 A1 5/2005 Cohen
 2005/0194227 A1 9/2005 Mitchell
 2006/0032687 A1 2/2006 Park
 2006/0077058 A1 4/2006 Asher
 2006/0201764 A1 9/2006 Morszeck
 2006/0225981 A1 10/2006 Lin
 2006/0243550 A1 11/2006 Morszeck
 2007/0007737 A1 1/2007 Dayton
 2007/0034424 A1 2/2007 Snowden
 2007/0045072 A1 3/2007 Selvi
 2007/0090702 A1 4/2007 Schiller
 2007/0131462 A1 6/2007 Hemsley
 2008/0029153 A1 2/2008 Margalit
 2008/0087513 A1 4/2008 Majeau
 2008/0180059 A1 7/2008 Carrier
 2009/0139814 A1 6/2009 Grossman
 2010/0163359 A1 7/2010 Shalgi
 2010/0294607 A1 11/2010 Morszeck
 2010/0320047 A1 12/2010 Morszeck
 2011/0011761 A1 1/2011 Enmon
 2011/0050162 A1 3/2011 FallHowe
 2011/0174583 A1 7/2011 Yoneno et al.
 2011/0186396 A1 8/2011 Sheikh
 2011/0272232 A1 11/2011 Sheikh
 2012/0046177 A1 2/2012 Huang
 2012/0111679 A1 5/2012 Van Den Biggelaar
 2012/0152677 A1 6/2012 Lu
 2012/0161712 A1 6/2012 Saito
 2012/0247897 A1 10/2012 Sheikh
 2012/0255824 A1 10/2012 Schnell et al.
 2012/0262117 A1 10/2012 Ferber
 2013/0032443 A1 2/2013 Soedomo
 2013/0056373 A1 3/2013 Benson
 2013/0098721 A1 4/2013 Lai
 2013/0126286 A1 5/2013 Chehebar
 2013/0175130 A1 7/2013 Liang
 2013/0221898 A1 8/2013 Frost
 2013/0233661 A1 9/2013 Scott
 2013/0248309 A1 9/2013 Lein
 2013/0255335 A1 10/2013 Jonely
 2013/0271063 A1 10/2013 Wilson
 2013/0300343 A1 11/2013 Files
 2014/0027224 A1 1/2014 Lai
 2014/0041978 A1 2/2014 Chang
 2014/0076679 A1 3/2014 Hughes
 2014/0131156 A1 5/2014 Farrelly
 2014/0158564 A1 6/2014 Blasingame
 2014/0238801 A1 * 8/2014 Lai A45C 7/0031
 190/105
 2014/0283335 A1 9/2014 Meersschaert
 2014/0327401 A1 11/2014 Pickens
 2014/0353104 A1 12/2014 Sheikh
 2015/0014108 A1 1/2015 Vecellio
 2015/0021132 A1 1/2015 Sijmons
 2015/0021133 A1 * 1/2015 Xu A45C 5/03
 190/18 A
 2015/0027835 A1 1/2015 Moon
 2015/0027836 A1 1/2015 Zhou
 2015/0034440 A1 2/2015 Lai
 2015/0084578 A1 3/2015 Pickens

2015/0084592 A1 3/2015 Pickens
 2015/0084596 A1 3/2015 Pickens
 2015/0089903 A1 4/2015 Carey
 2015/0118534 A1 4/2015 Rolfs et al.
 2015/0144448 A1 * 5/2015 Chen A45C 13/262
 190/115
 2015/0144449 A1 5/2015 Sheikh
 2015/0207350 A1 7/2015 Chen et al.
 2015/0290039 A1 10/2015 McCulloch et al.
 2015/0295441 A1 10/2015 Winger
 2015/0318716 A1 11/2015 Pickens
 2015/0326044 A1 11/2015 Ashley
 2015/0348347 A1 * 12/2015 Diz E05B 39/005
 340/5.61
 2016/0004287 A1 1/2016 Qiu
 2016/0022002 A1 * 1/2016 Selvi A45C 5/14
 190/18 A
 2016/0029757 A1 * 2/2016 Karl A45C 5/14
 190/18 A
 2016/0051022 A1 2/2016 Morszeck
 2016/0141904 A1 5/2016 Zhijian
 2016/0153626 A1 6/2016 Ozaka et al.
 2016/0255928 A1 9/2016 O'Donnell
 2016/0255934 A1 9/2016 Attebery
 2016/0262510 A1 9/2016 Shalgi
 2016/0278492 A1 9/2016 Morszeck
 2016/0286912 A1 10/2016 Morszeck
 2016/0308381 A1 10/2016 Edwards
 2016/0322843 A1 11/2016 Pickens
 2016/0322844 A1 11/2016 Pickens
 2016/0329537 A1 11/2016 Foreman et al.
 2016/0338463 A1 11/2016 Morszeck
 2016/0381499 A1 12/2016 Draghici
 2017/0079398 A1 3/2017 Reh
 2017/0091500 A1 3/2017 Reh
 2017/0100961 A1 4/2017 Diz
 2017/0103292 A1 4/2017 Reh
 2017/0103598 A1 4/2017 Diz
 2017/0117742 A1 4/2017 Nakhjiri
 2017/0127776 A1 5/2017 Korey
 2017/0127781 A1 5/2017 Korey
 2017/0127782 A1 5/2017 Korey
 2017/0127783 A1 5/2017 Korey
 2017/0332753 A1 * 11/2017 Lai A45C 5/03

FOREIGN PATENT DOCUMENTS

CA 2899478 2/2016
 CN 104082929 10/2014
 CN 204426982 U 12/2014
 CN 204444632 U 7/2015
 CN 204599651 U 9/2015
 CN 0204682824 U 10/2015
 CN 104082929 B 1/2016
 CN 105639954 A 6/2016
 EP 0940099 9/1999
 JP 2007185407 7/2007
 TW M410495 U 9/2011
 WO 199408485 A1 4/1994
 WO 1994008484 A1 4/1994
 WO 95019118 A1 7/1995
 WO 1995019118 A1 7/1995
 WO 199631140 A1 10/1996
 WO 199725894 A1 7/1997
 WO 2001019214 A1 2/2001
 WO 2002065869 A1 8/2002
 WO 2003007748 A1 1/2003
 WO 2004095971 A1 11/2004
 WO 2004103114 12/2004
 WO 2004103114 A1 12/2004
 WO 2004107141 A1 12/2004
 WO 2007014804 A1 8/2005
 WO 2007063302 A1 6/2007
 WO 2007073590 A1 7/2007
 WO 2008104558 A1 9/2008
 WO 2008131796 A1 11/2008
 WO 2009002499 A9 4/2009
 WO 2009045542 A1 4/2009

(56)

References Cited

FOREIGN PATENT DOCUMENTS

| | | | |
|----|-------------|----|---------|
| WO | 2009077215 | A1 | 6/2009 |
| WO | 2010135402 | A2 | 11/2010 |
| WO | 2011112655 | A1 | 9/2011 |
| WO | 2011139318 | A1 | 11/2011 |
| WO | 2012046177 | A1 | 4/2012 |
| WO | 2013126459 | A2 | 8/2013 |
| WO | 2013142984 | A1 | 10/2013 |
| WO | 2014048763 | A1 | 4/2014 |
| WO | 2014073971 | A1 | 5/2014 |
| WO | 2014154855 | | 10/2014 |
| WO | 2014154855 | A1 | 10/2014 |
| WO | 2014166665 | A1 | 10/2014 |
| WO | 2014170116 | A1 | 10/2014 |
| WO | 2015006948 | A1 | 1/2015 |
| WO | 2015048871 | A1 | 4/2015 |
| WO | 2015091554 | A1 | 6/2015 |
| WO | 2015063752 | A1 | 7/2015 |
| WO | 2015100415 | A1 | 7/2015 |
| WO | 2015107207 | A1 | 7/2015 |
| WO | 2015121293 | A1 | 8/2015 |
| WO | 2015177124 | A1 | 11/2015 |
| WO | 2015183949 | A1 | 12/2015 |
| WO | 2015193447 | A1 | 12/2015 |
| WO | 2016025906 | A1 | 2/2016 |
| WO | 20160259061 | | 2/2016 |
| WO | 2016116425 | A1 | 7/2016 |
| WO | 2016202777 | A1 | 12/2016 |
| WO | 2016202783 | A1 | 12/2016 |

| | | | |
|----|------------|----|--------|
| WO | 2017021312 | A1 | 2/2017 |
| WO | 2017021392 | A1 | 2/2017 |
| WO | 2017079707 | A1 | 5/2017 |

OTHER PUBLICATIONS

QVC, "Heys 3-piece Hardside Spinner Luggage Set w/Duffel", First reviewed Nov. 17, 2014. (<https://www.qvc.com/Heys-3-piece-Hardside-Spinner-Luggage-Set-wDuffel.product.F10978.html>) (Year: 2014).*

Amazon, "Raden A22 Carry-on Luggage, Black Gloss", First reviewed Nov. 11, 2016. (<https://www.amazon.com/dp/B01MSKND8O/>) (Year: 2016).*

Amazon, "Heys USA Luggage Britto New Day 26 Inch Hard Side Suitcase, Multi-Colored, One Size", First reviewed Jan. 14, 2011. (<https://www.amazon.com/dp/B002NJY8RC/>) (Year: 2011).*

International Search Report (ISR) from the International Searching Authority (ISA) in International Application No. PCT/US16/60738, dated Feb. 27, 2017, 5 Pages.

Lojel LookBook, Photography by Agnon Wong & Taby Cheng, Published on the WWW, 2015, 23 Pages.

Written Opinion (WO) of the International Searching Authority (ISA) in International Application No. PCT/US16/60738, dated Feb. 27, 2017, 16 Pages.

Office Action dated Jul. 31, 2017 for U.S. Appl. No. 14/935,335; (pp. 1-12).

Office Action dated Sep. 21, 2017 for U.S. Appl. No. 15/333,270; (pp. 1-10).

* cited by examiner

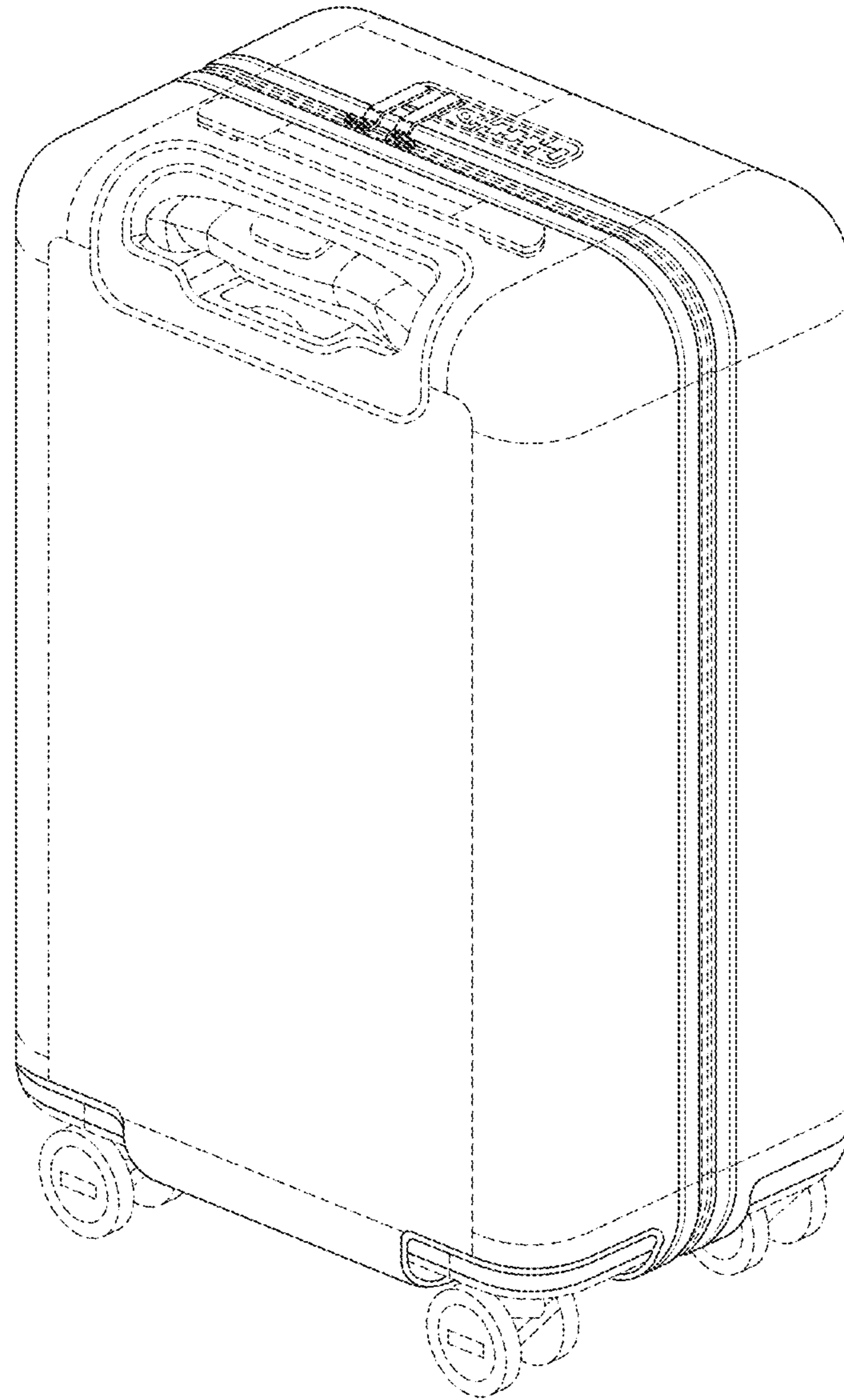


FIG. 1

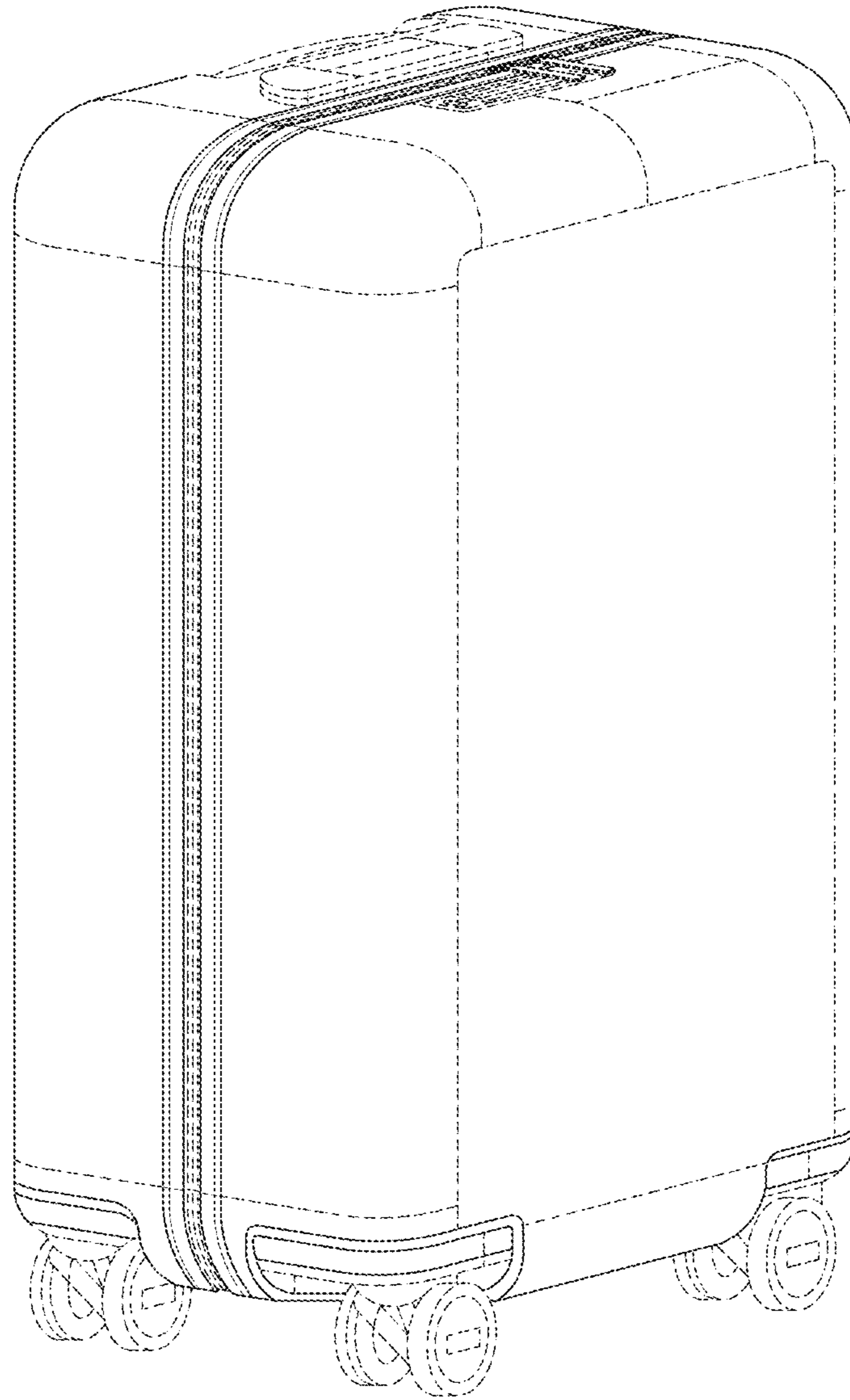


FIG. 2

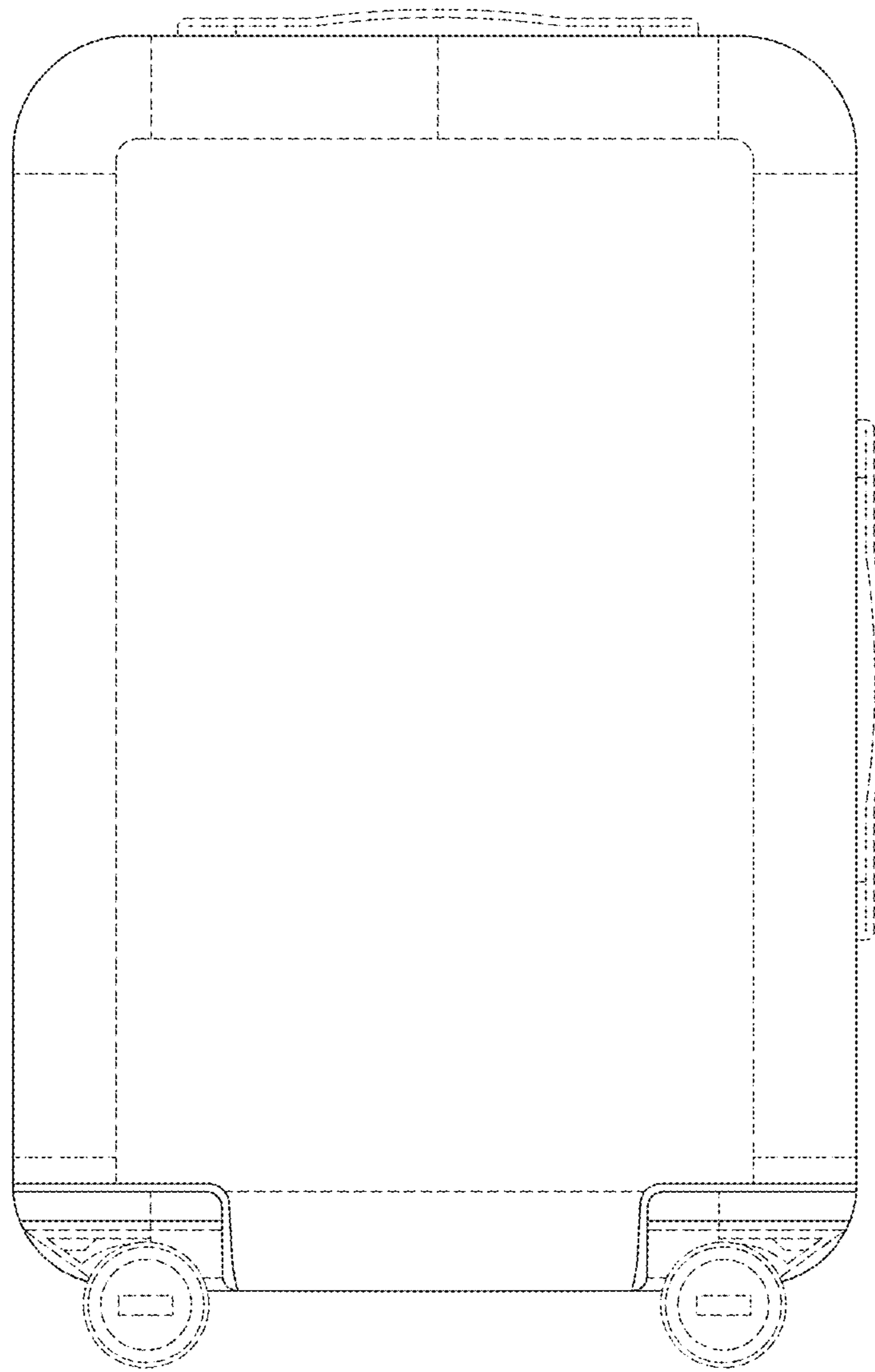


FIG. 3

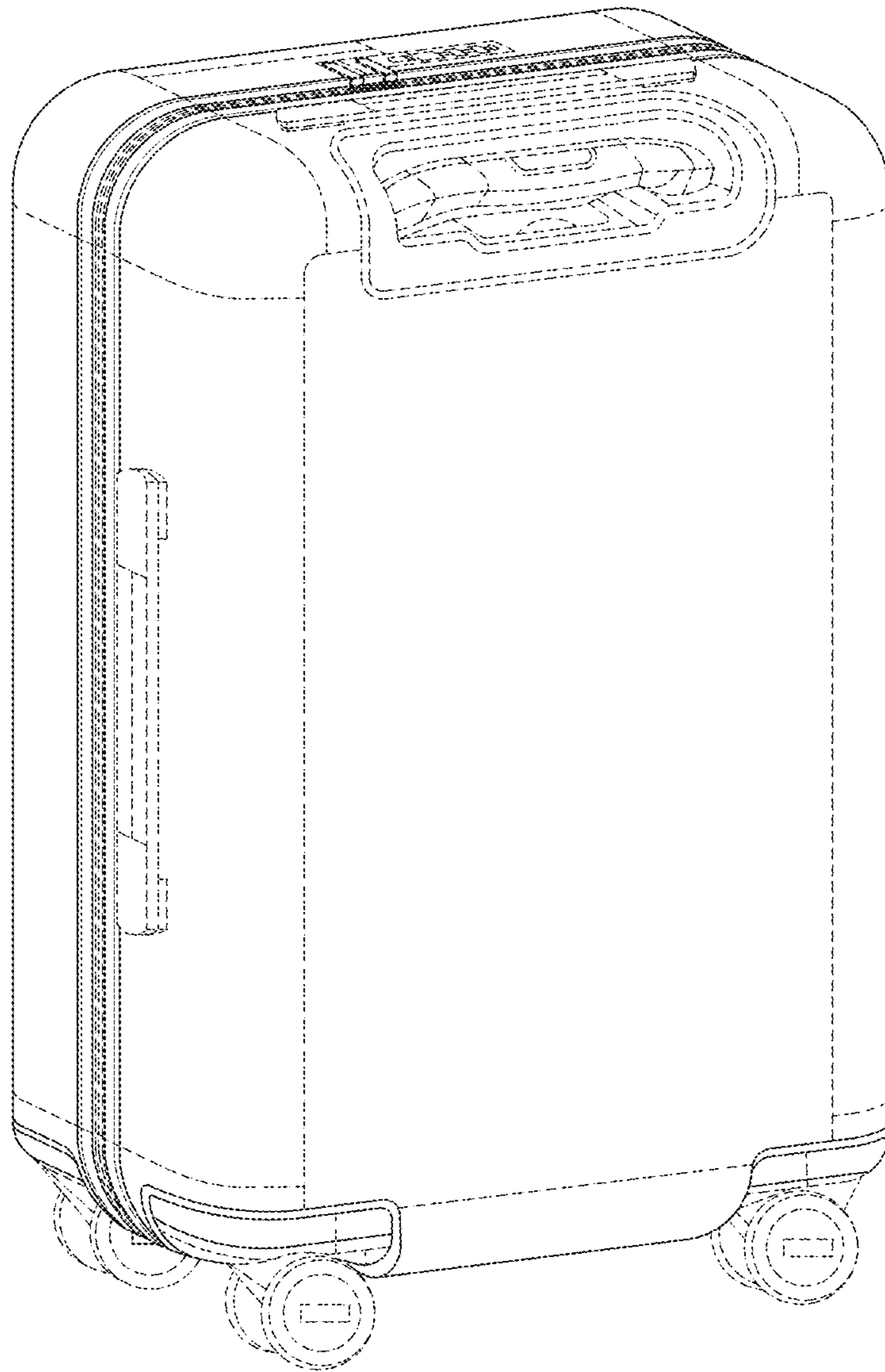


FIG. 4

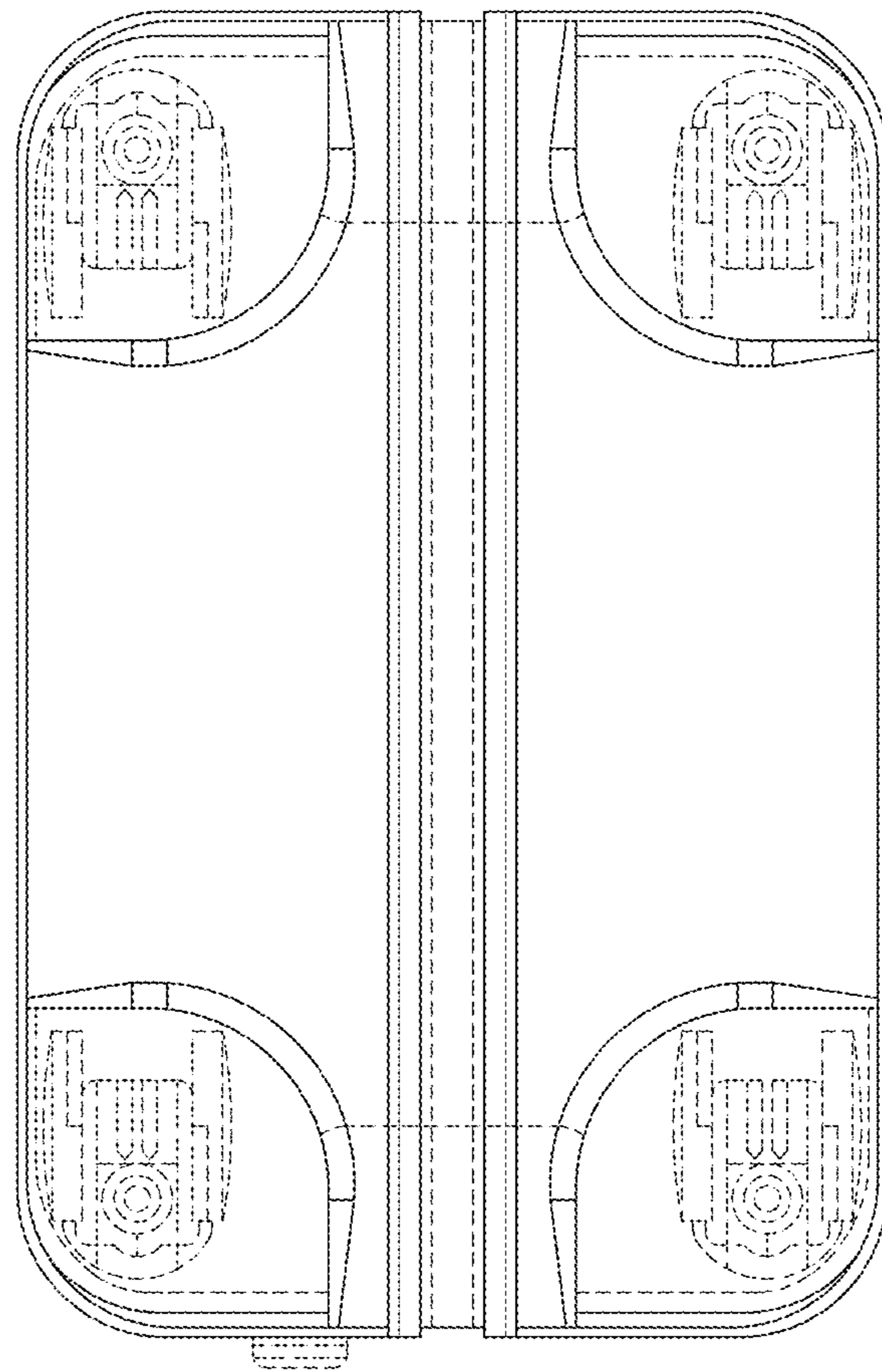


FIG. 5