



US00D877498S

(12) **United States Design Patent**
Lindell

(10) **Patent No.:** **US D877,498 S**
(45) **Date of Patent:** **** Mar. 10, 2020**

- (54) **HOLSTER**
- (71) Applicant: **JIM LINDELL'S QK DRAW**
HOLSTER, LLC, Kansas City, MO
(US)
- (72) Inventor: **James W. Lindell**, Kansas City, MO
(US)
- (73) Assignee: **Jim Lindell's QK Draw Holster, LLC**,
Kansas City, MO (US)
- (**) Term: **15 Years**
- (21) Appl. No.: **29/667,647**
- (22) Filed: **Oct. 23, 2018**
- (51) **LOC (12) Cl.** **03-01**
- (52) **U.S. Cl.**
USPC **D3/222**
- (58) **Field of Classification Search**
USPC D3/222-223, 215; 224/191-193, 198,
224/238-240, 243-244, 587, 665, 682,
224/901.4, 911-912
CPC B29C 61/02; F41C 33/00; F41C 33/01;
F41C 33/02; F41C 33/06; F41C 33/08;
F41C 33/0209; F41C 33/0263; F41C
33/0227; F42B 39/02; A45F 5/00; A45F
5/02; A45F 3/14; A45F 2003/003; A45F
2200/0591; A45F 2200/105; A45F 5/021
See application file for complete search history.

- D681,943 S * 5/2013 Beard D3/222
- 8,651,347 B1 * 2/2014 Molcho F42B 39/02
224/241
- D807,031 S * 1/2018 Madrid D3/222
- D853,110 S * 7/2019 Sereday D3/222
- 2017/0010066 A1 * 1/2017 Miller F41C 33/0236

* cited by examiner

Primary Examiner — Catherine R Oliver-Garcia
(74) *Attorney, Agent, or Firm* — Shook, Hardy & Bacon
L.L.P.

(57) **CLAIM**

The ornamental design for a holster, as shown and described.

DESCRIPTION

FIG. 1 is a top perspective view of the holster of the present invention;
 FIG. 2 is a front elevation view thereof;
 FIG. 3 is a rear elevation view thereof;
 FIG. 4 is a right side elevation view thereof;
 FIG. 5 is a left side elevation view thereof;
 FIG. 6 is a top plan view thereof; and,
 FIG. 7 is a bottom plan view thereof.

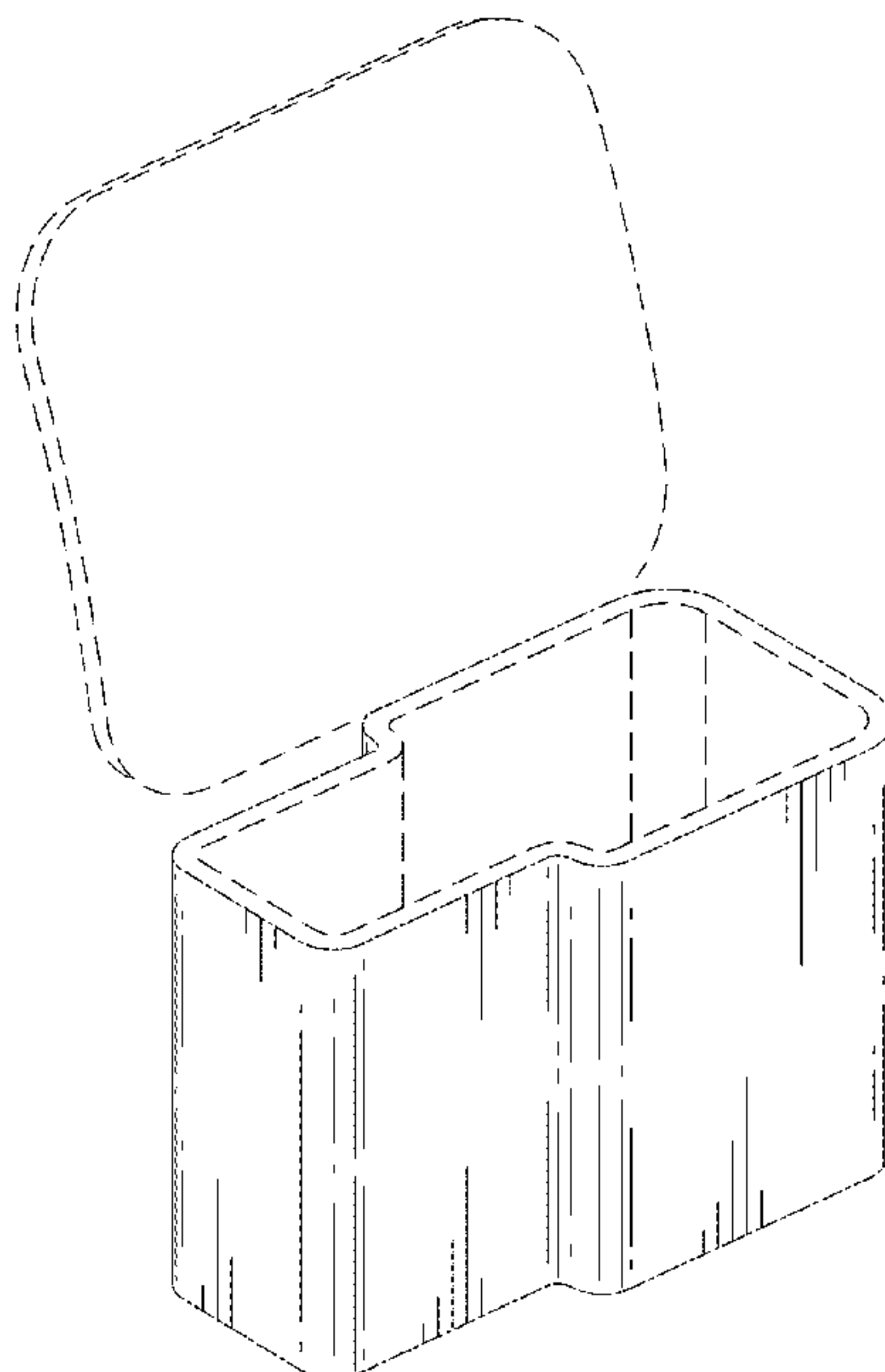
The evenly spaced broken lines shown in the drawings are directed to environment, are for informational purposes only, and form no part of the claimed design. The long and short broken lines are boundary lines which define the bounds of the claimed design. These boundaries do not exist in reality in the article embodying the design. It is understood that the claimed design extends to these boundaries but do not include the boundaries.

The surface shading lines are provided only to indicate the character and/or any contour or curvature of the surfaces. They do not indicate color, texture, markings that actually exist thereon, indicia, graphic representations, surface treatment, or any other ornamentation applied to the article.

1 Claim, 5 Drawing Sheets

(56) **References Cited**
U.S. PATENT DOCUMENTS

- D182,339 S * 3/1958 Nichols D3/222
- D331,497 S * 12/1992 Dixon D3/222
- 6,112,962 A * 9/2000 Matthews F41C 33/0236
224/191



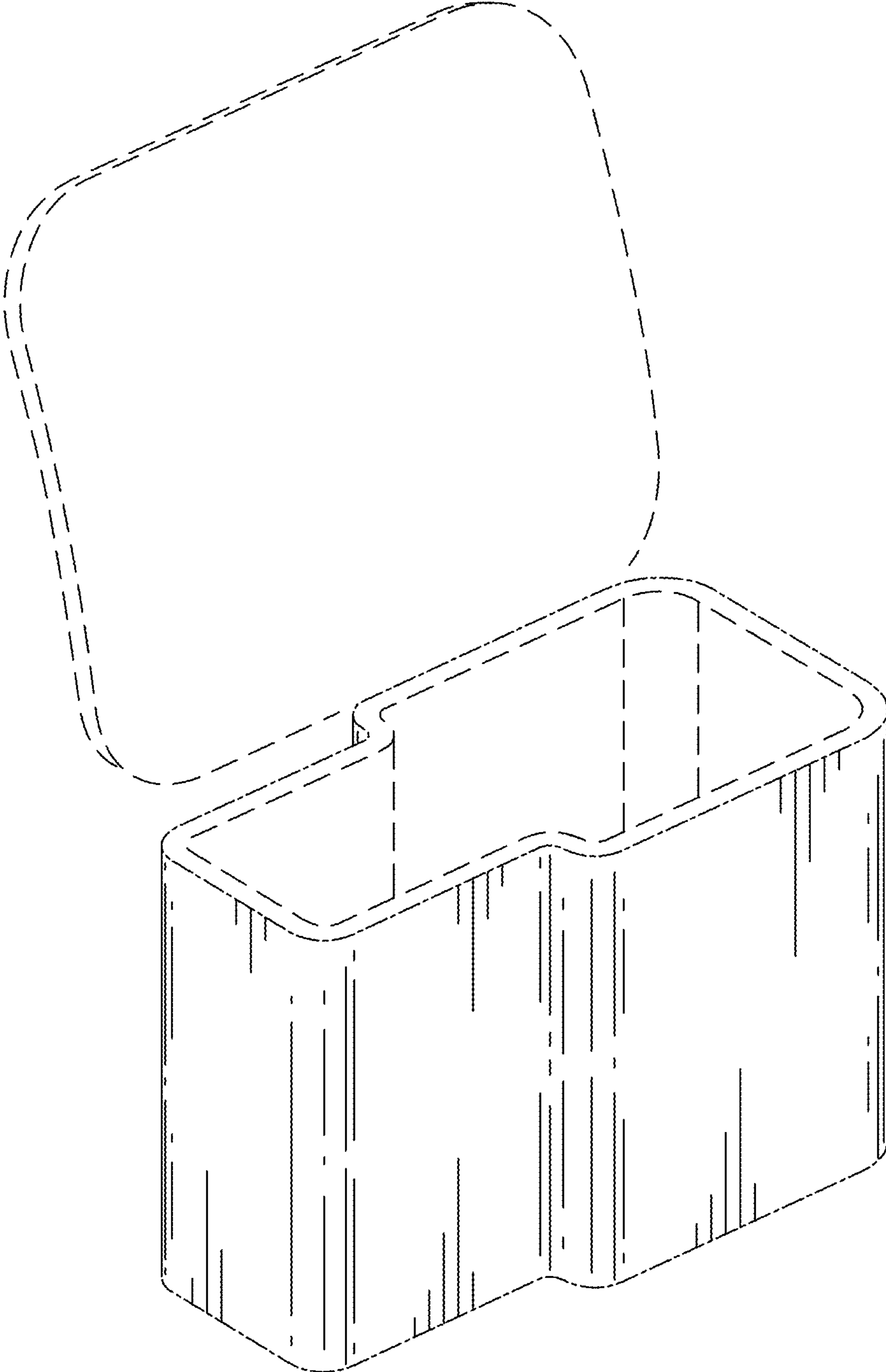


FIG. 1.

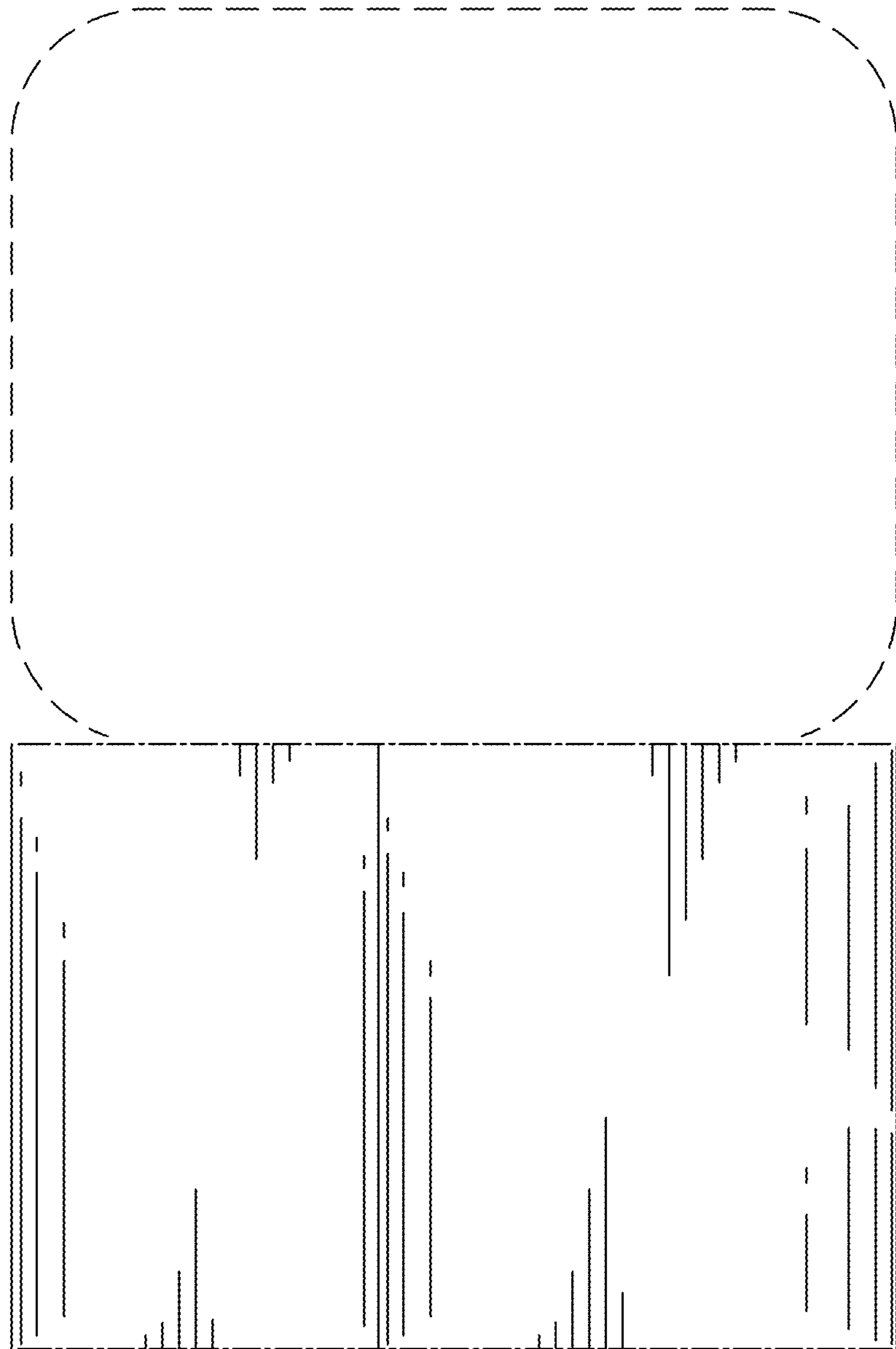


FIG. 2.

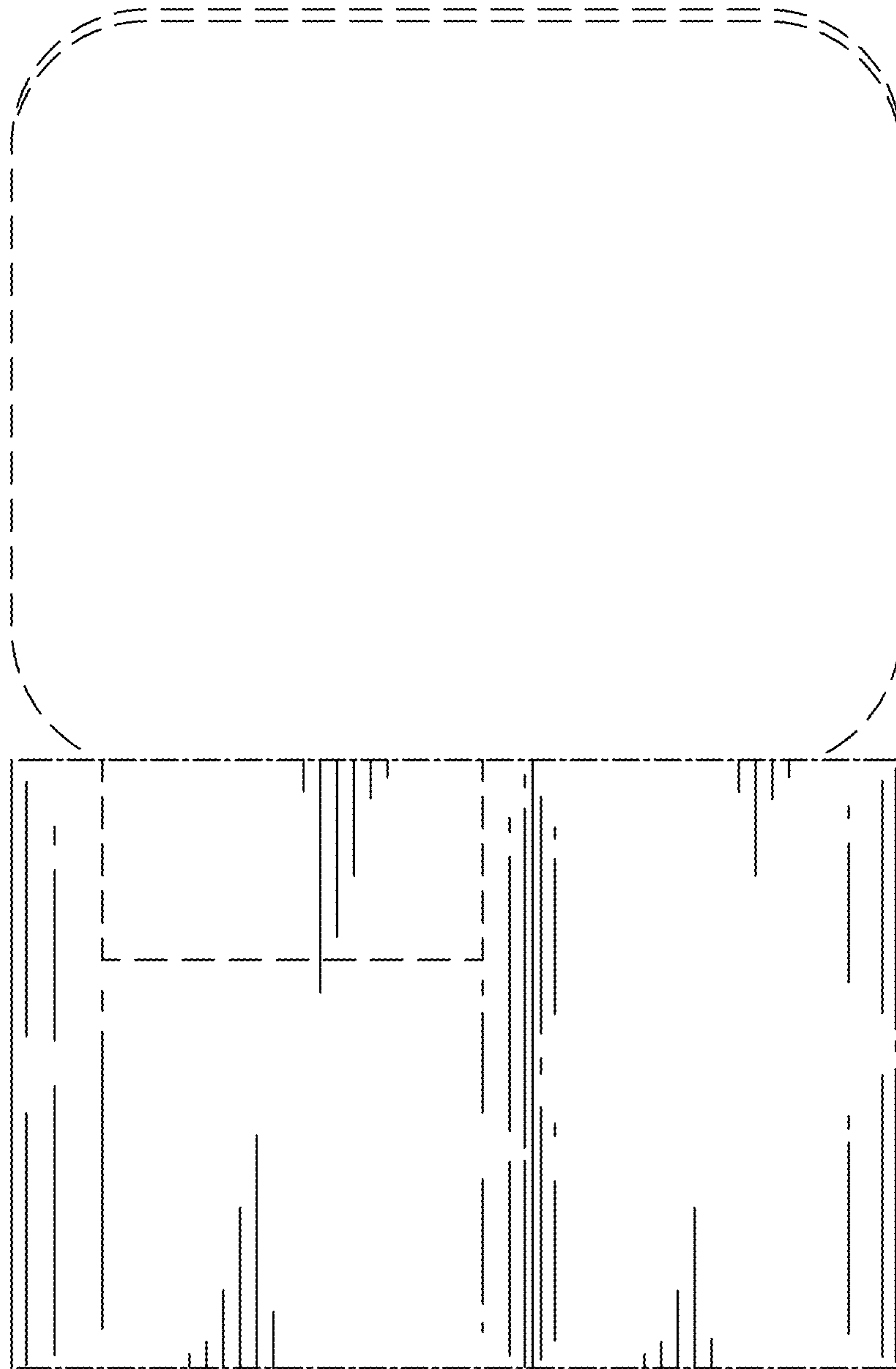


FIG. 3.

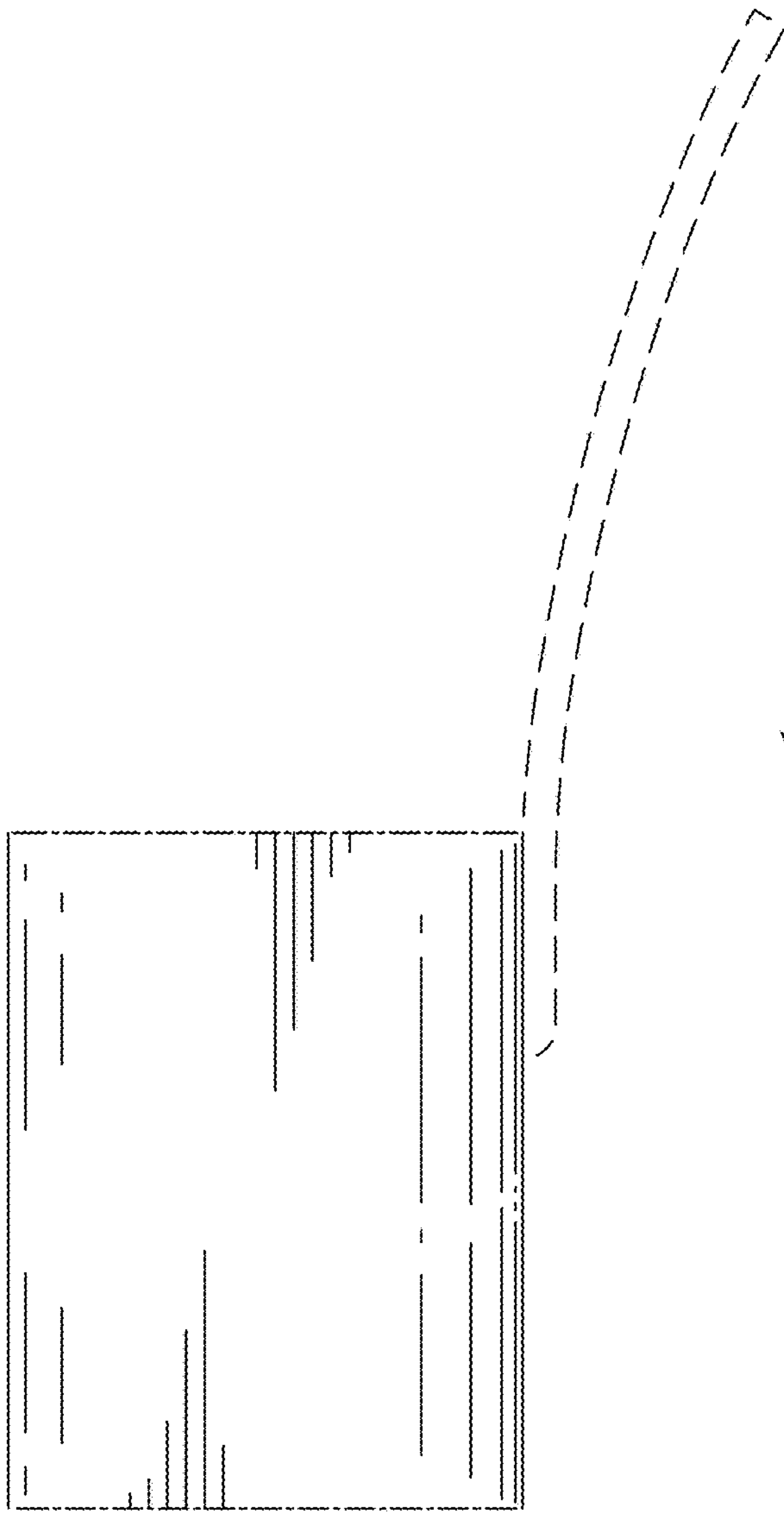


FIG. 4.

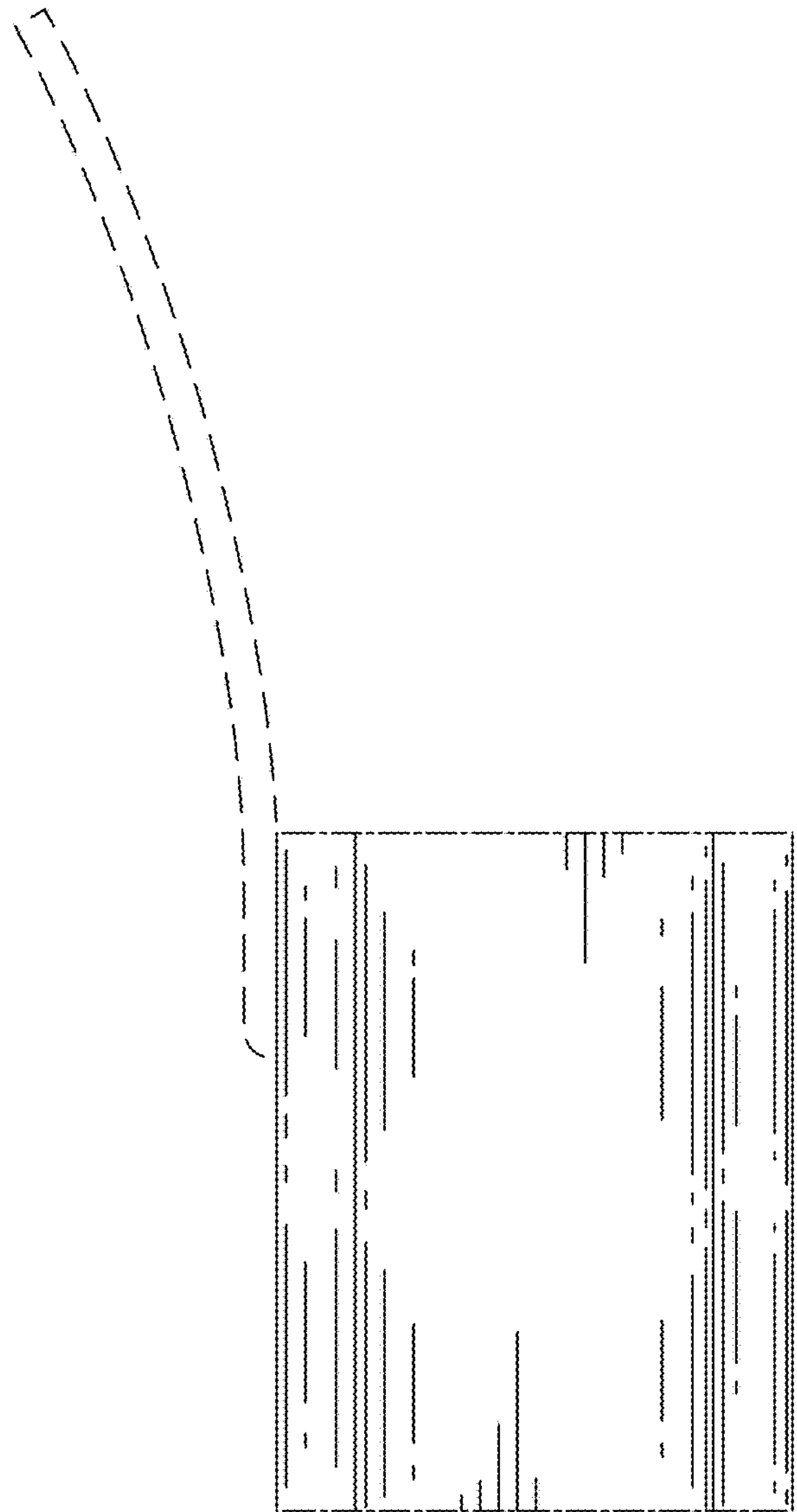


FIG. 5.

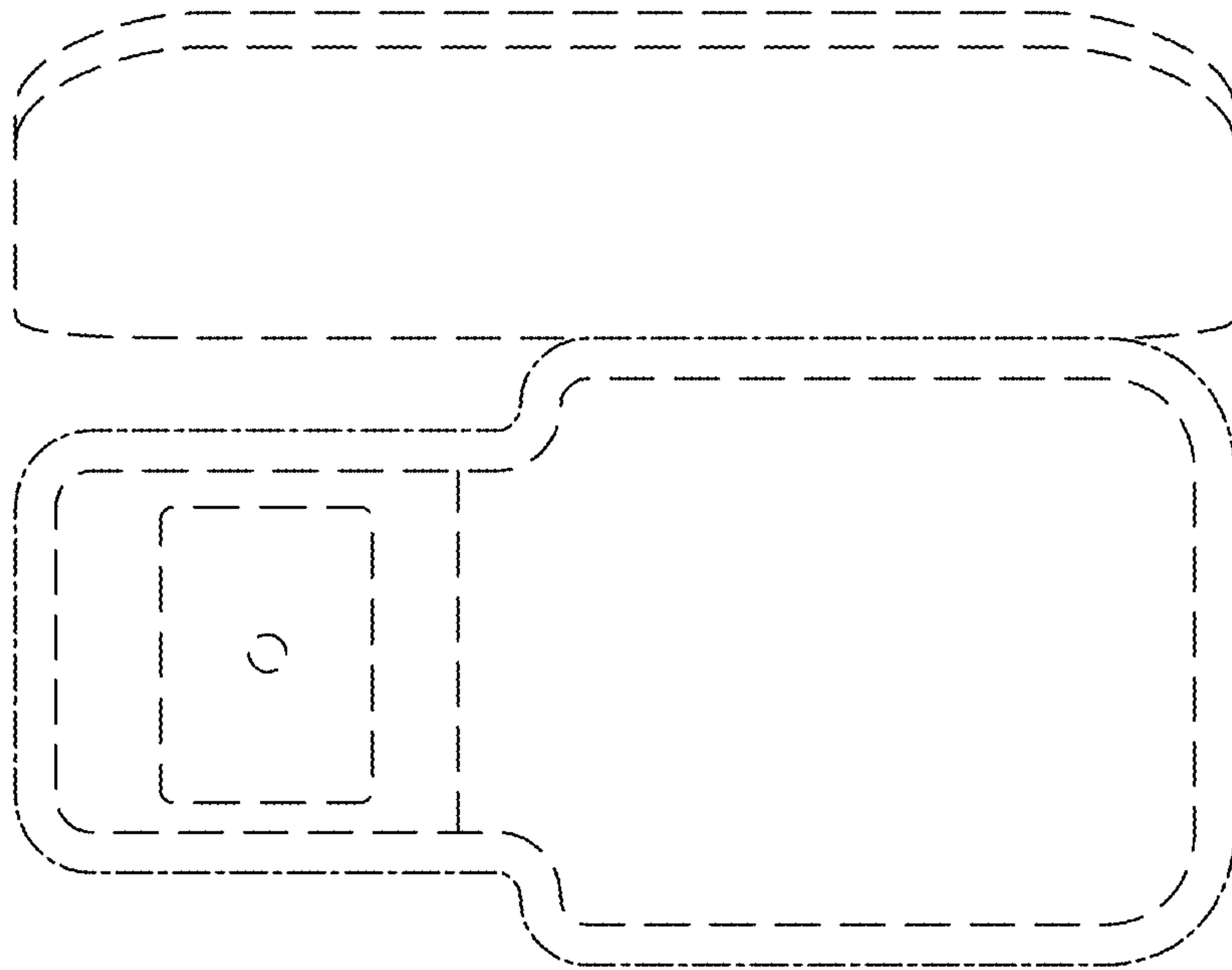


FIG. 6.

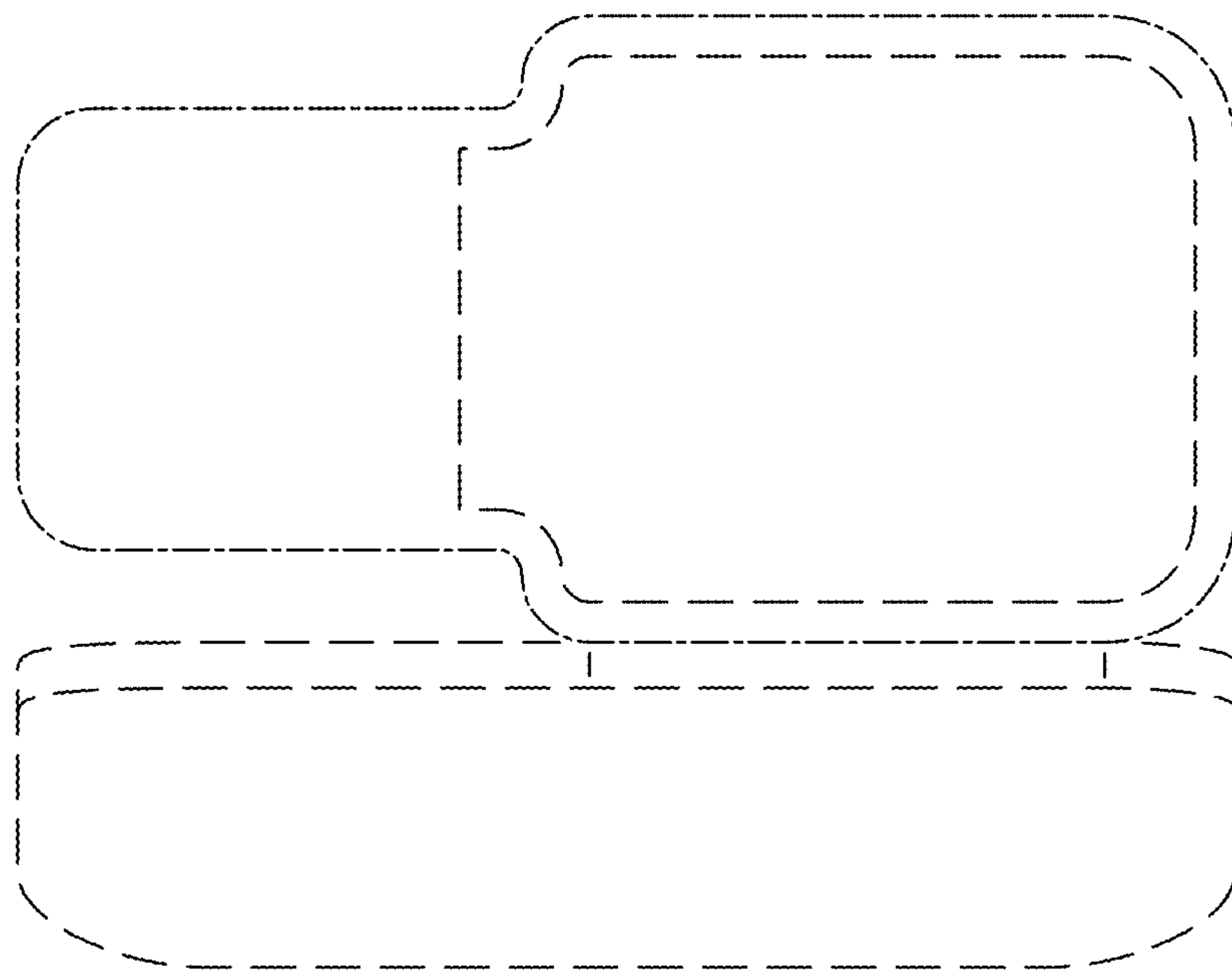


FIG. 7.