



US00D877495S

(12) **United States Design Patent**
Hashimoto

(10) **Patent No.:** **US D877,495 S**
(45) **Date of Patent:** **** Mar. 10, 2020**

- (54) **BACKPACK**
- (71) Applicant: **BLAU Design Complex Inc.**, Tokyo (JP)
- (72) Inventor: **Souichi Hashimoto**, Tokyo (JP)
- (73) Assignee: **BLAU Design Complex Inc.**, Tokyo (JP)
- (**) Term: **15 Years**
- (21) Appl. No.: **29/645,230**
- (22) Filed: **Apr. 24, 2018**
- (51) **LOC (12) Cl.** **03-01**
- (52) **U.S. Cl.**
USPC **D3/217**
- (58) **Field of Classification Search**
USPC D3/215-217, 273, 289, 290, 318, 321, D3/322, 323
CPC .. A45F 3/04; A45F 3/042; A45F 3/047; A45F 3/08; A45F 3/10; A45F 3/14; A45F 4/02; A45F 4/08; A45F 2200/05; A45F 2200/0525; A45C 13/08; A45C 13/083
See application file for complete search history.

- 7,886,786 B1 * 2/2011 Christie A45C 3/00 150/105
- D821,742 S * 7/2018 Jusic D3/217
- D844,319 S * 4/2019 Tan D3/217
- 2011/0278337 A1 * 11/2011 Chiu A45F 3/04 224/637
- 2017/0251781 A1 * 9/2017 Wilson A45C 13/02

OTHER PUBLICATIONS

Blau, posted at facebook.com, posting dated Nov. 27, 2017, online, URL: <https://www.facebook.com/blau.tokyo/photos/blaudesign-backpack-wwwblaudesigntokyoall-new-designwhy-dont-you-try-itblaudesig/517211655372209/> (Year: 2017).*

* cited by examiner

Primary Examiner — Barbara Fox
Assistant Examiner — Mary Shannon Malley
(74) *Attorney, Agent, or Firm* — Taro Yaguchi

(57) **CLAIM**

The ornamental design for a backpack, as shown and described.

DESCRIPTION

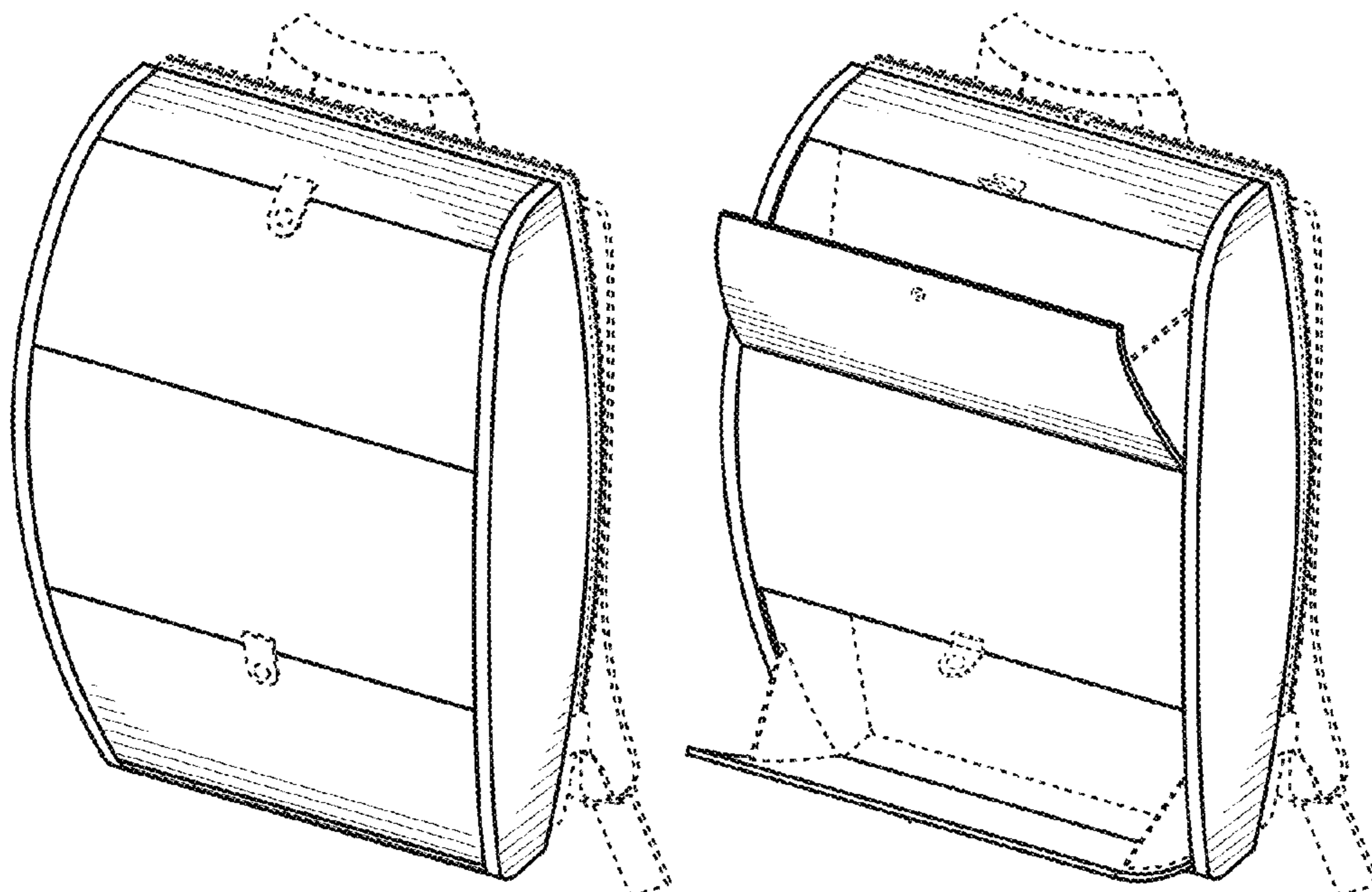
FIG. 1 is a front view of a backpack, showing our new design;
FIG. 2 is a back side view thereof;
FIG. 3 is a right side view thereof, the left side being a mirror image;
FIG. 4 is a top plan view thereof;
FIG. 5 is a bottom plan view thereof;
FIG. 6 is a perspective view thereof; and,
FIG. 7 is a reference view thereof; showing a perspective view of the backpack with open flaps.
The broken lines show portions of the backpack that forms no part of the claimed design.

1 Claim, 6 Drawing Sheets

(56) **References Cited**

U.S. PATENT DOCUMENTS

- 4,479,595 A * 10/1984 Opsal A45F 3/047 224/630
- D374,773 S * 10/1996 Domotor D3/276
- D392,094 S * 3/1998 Lane D3/217
- D437,110 S * 2/2001 Ivarson D3/216
- D446,009 S * 8/2001 Mandell D3/216
- D469,603 S * 2/2003 Brown, Jr. D3/217
- D506,864 S * 7/2005 Fonfeder D3/216
- D551,853 S * 10/2007 Smeuninx D3/217



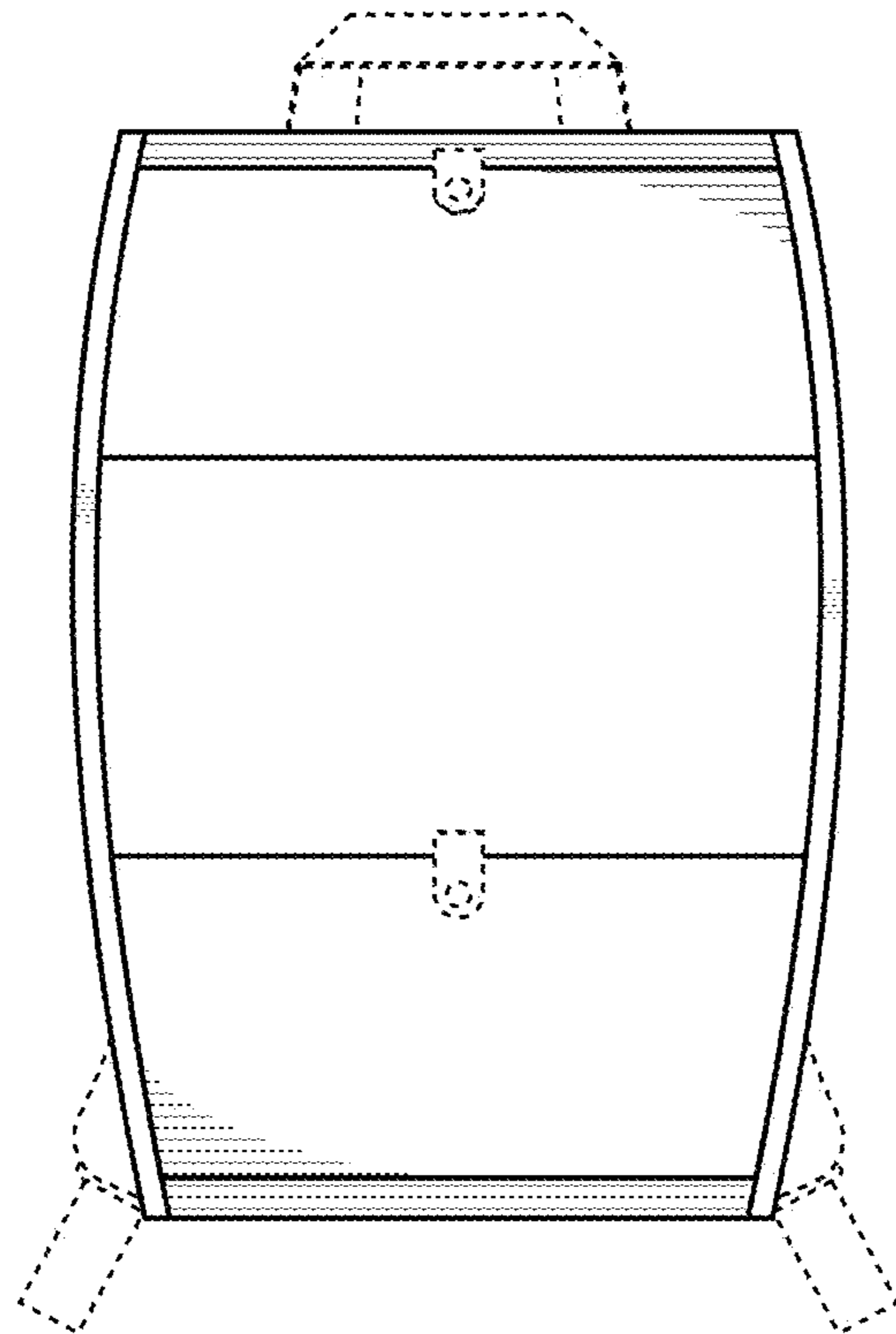


FIG.1

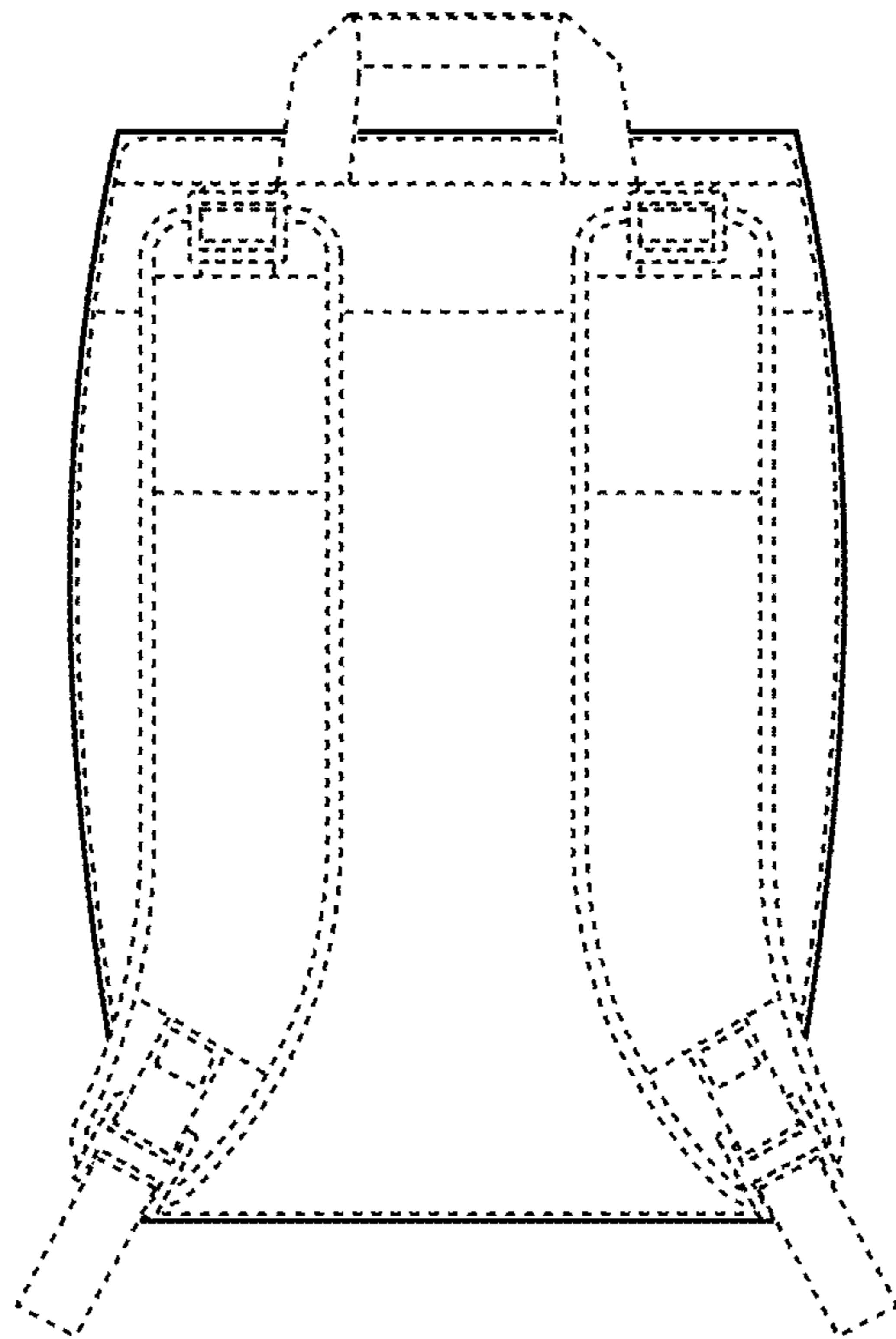


FIG. 2

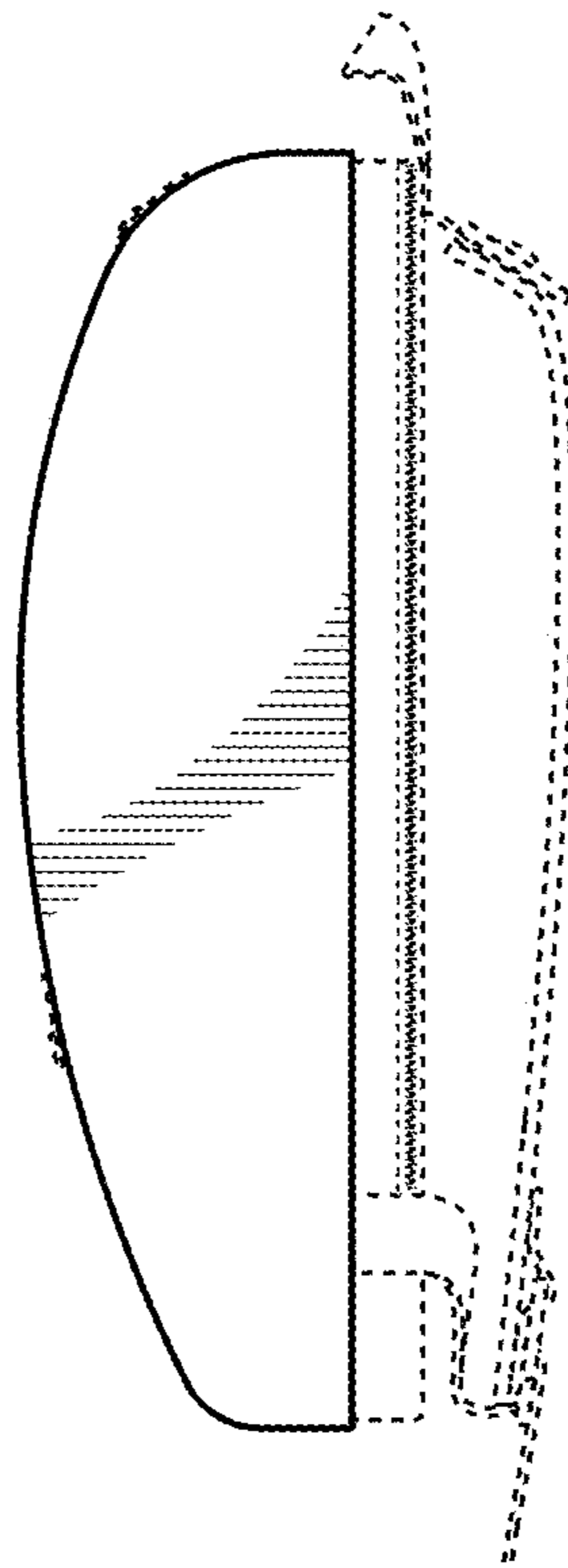


FIG. 3

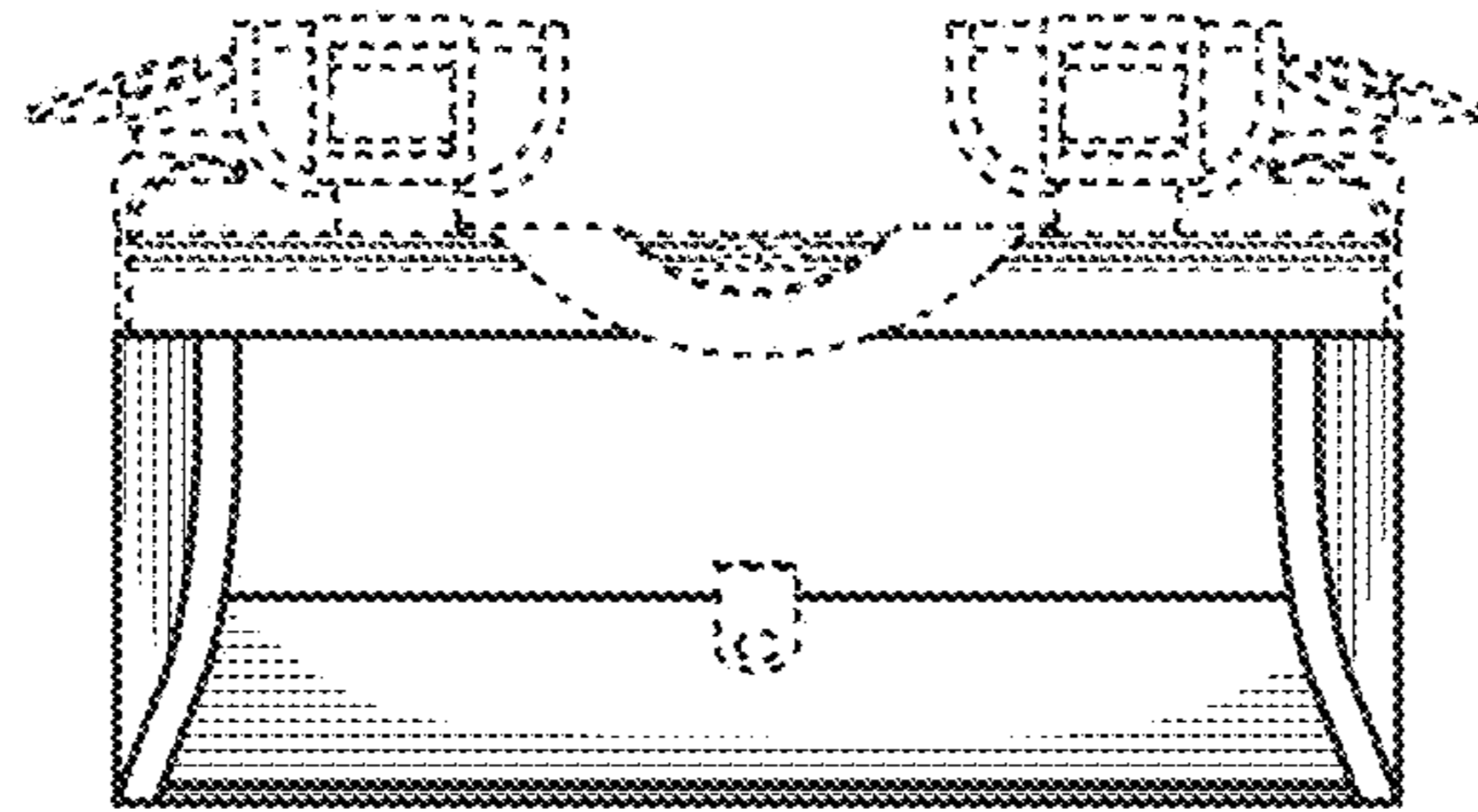


FIG. 4

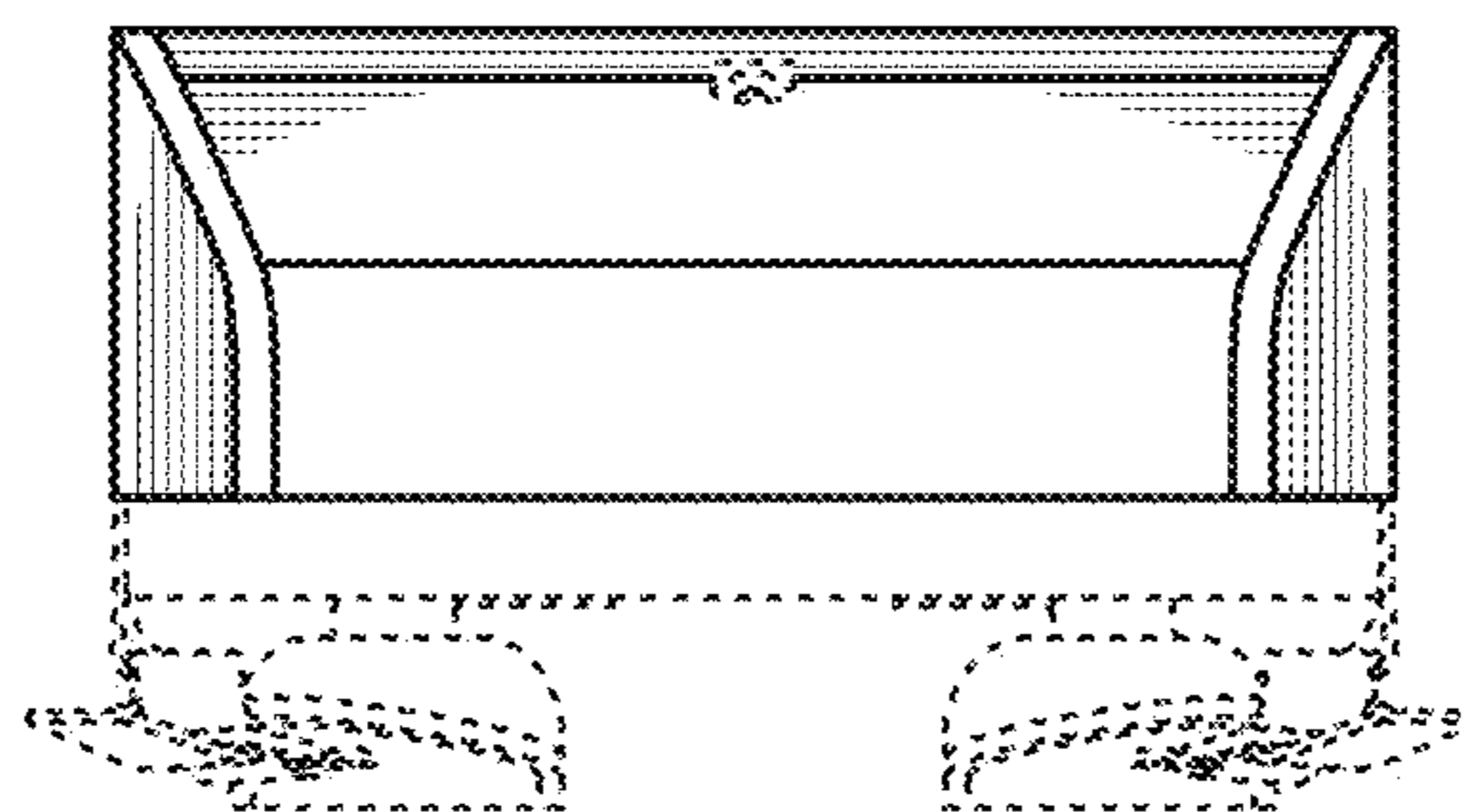


FIG. 5

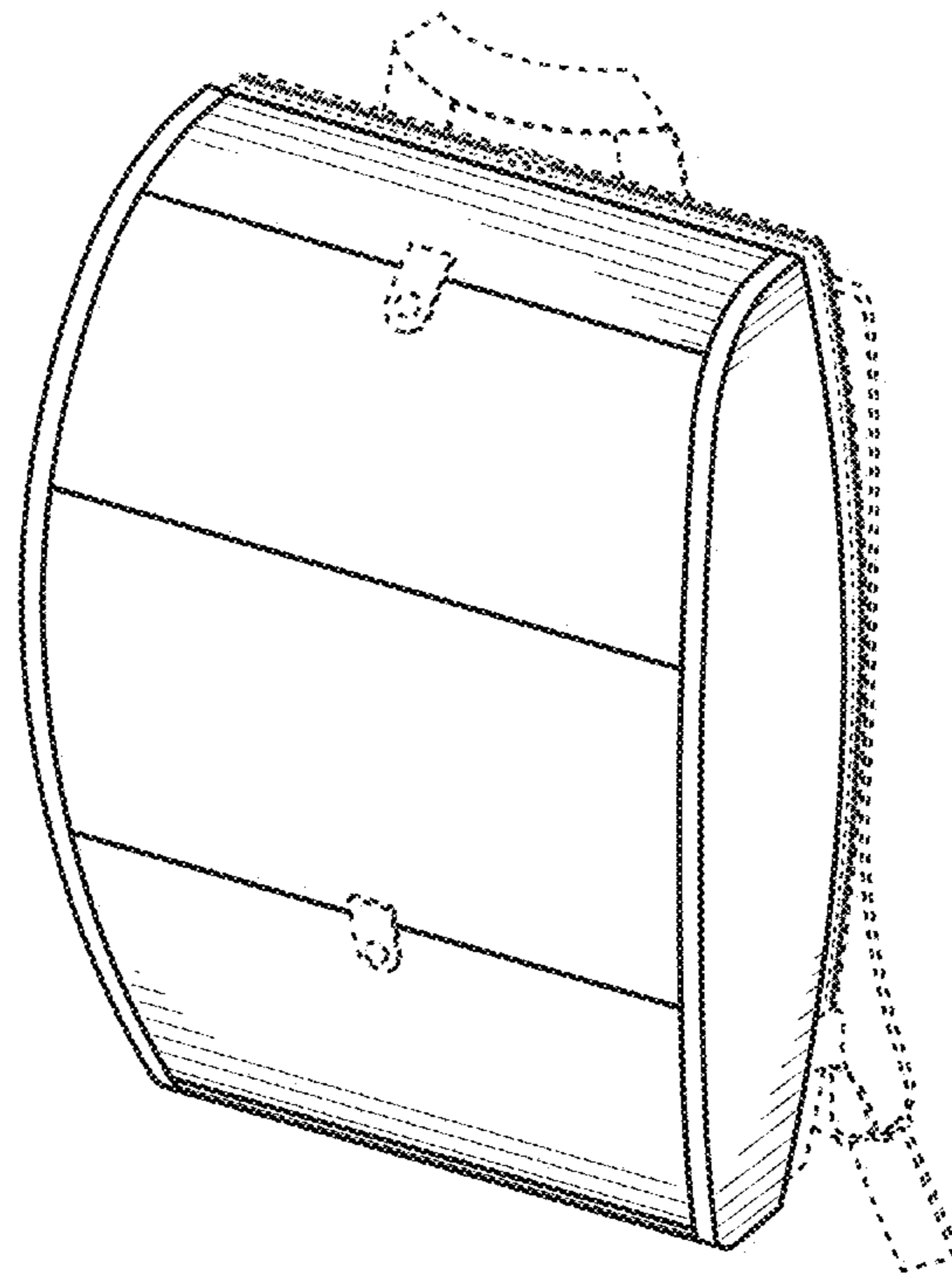


FIG. 6

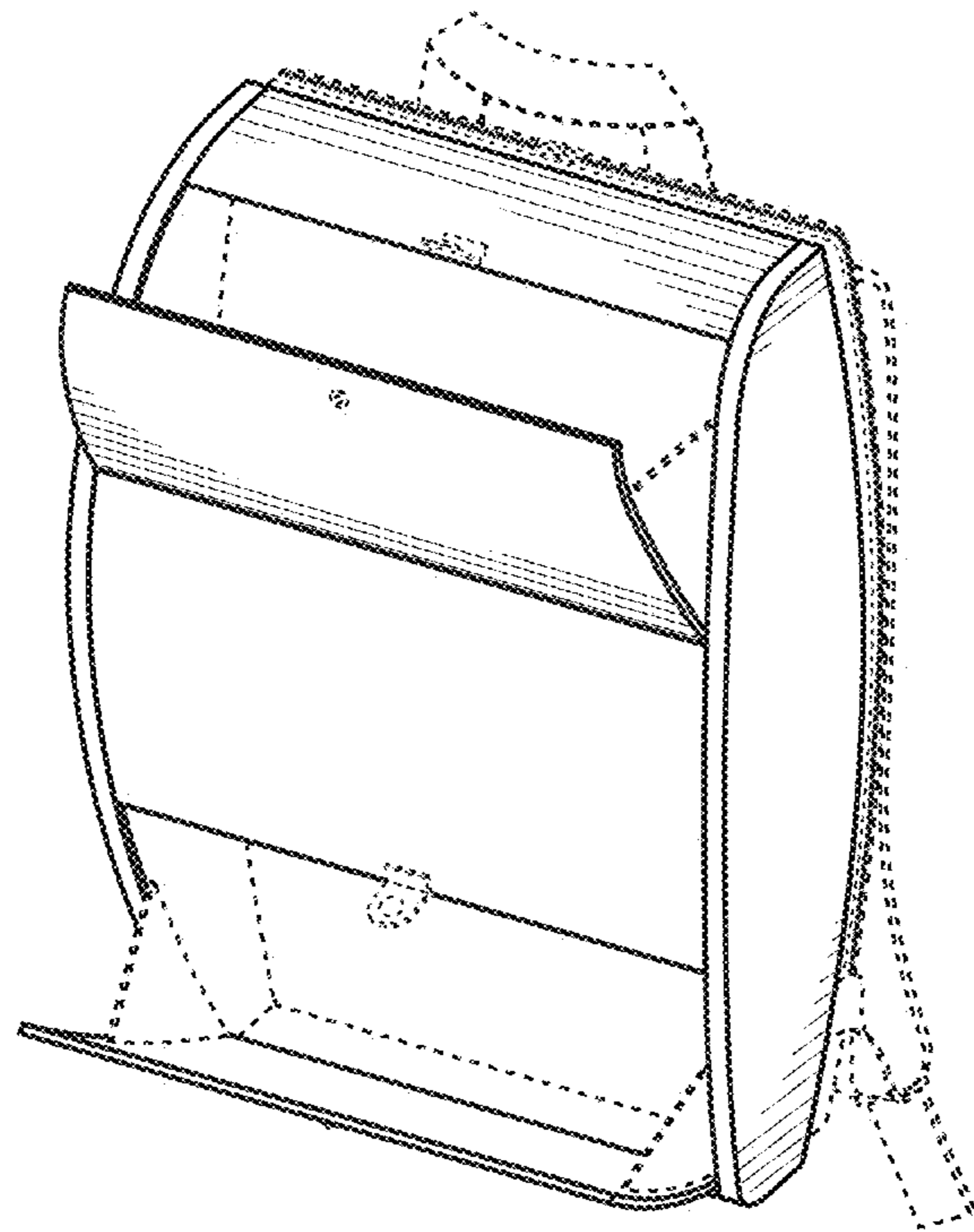


FIG. 7