

US00D877494S

(12) **United States Design Patent** (10) **Patent No.:** **US D877,494 S**
Roure (45) **Date of Patent:** **** Mar. 10, 2020**

(54) **BACKPACK**

D784,685 S * 4/2017 Newson D3/217
D799,214 S * 10/2017 Chalk D3/318
D817,634 S * 5/2018 Fusi D3/217
2016/0350639 A1* 12/2016 Tere A45C 11/00

(71) Applicant: **LULULEMON ATHLETICA CANADA INC.**, Vancouver (CA)

(72) Inventor: **Solene Aurélie Gwénola Roure**, London (GB)

(73) Assignee: **LULULEMON ATHLETICA CANADA INC.**, Vancouver (CA)

(**) Term: **15 Years**

(21) Appl. No.: **29/628,688**

(22) Filed: **Dec. 6, 2017**

(51) **LOC (12) Cl.** **03-01**

(52) **U.S. Cl.**
USPC **D3/217**

(58) **Field of Classification Search**
USPC D3/215–217, 273, 289, 290, 318, 321, D3/322, 323
CPC .. A45F 3/04; A45F 3/042; A45F 3/047; A45F 3/08; A45F 3/10; A45F 3/14; A45F 4/02; A45F 4/08; A45F 2200/05; A45F 2200/0525; A45C 13/08; A45C 13/083
See application file for complete search history.

(56) **References Cited**

U.S. PATENT DOCUMENTS

4,940,173 A * 7/1990 Jacober A45C 11/20 224/153
D340,351 S * 10/1993 Wrath D3/217
5,361,951 A * 11/1994 Chehebar A45F 3/04 150/103
D418,673 S * 1/2000 Madsen D2/830
7,036,641 B2 * 5/2006 Russo A45C 5/143 190/115
D775,816 S * 1/2017 Slimane D3/217

OTHER PUBLICATIONS

Lululemon Go Lightly Backpack White Packable Womens Bag, posted at amazon.com, available Mar. 19, 2017, online, URL: <https://www.amazon.com/Lululemon-Lightly-Backpack-Packable-Womens/dp/B075DJM35M/ref=sr> (Year: 2017).*

* cited by examiner

Primary Examiner — Barbara Fox

Assistant Examiner — Mary Shannon Malley

(74) *Attorney, Agent, or Firm* — McAndrews, Held & Malloy, Ltd.

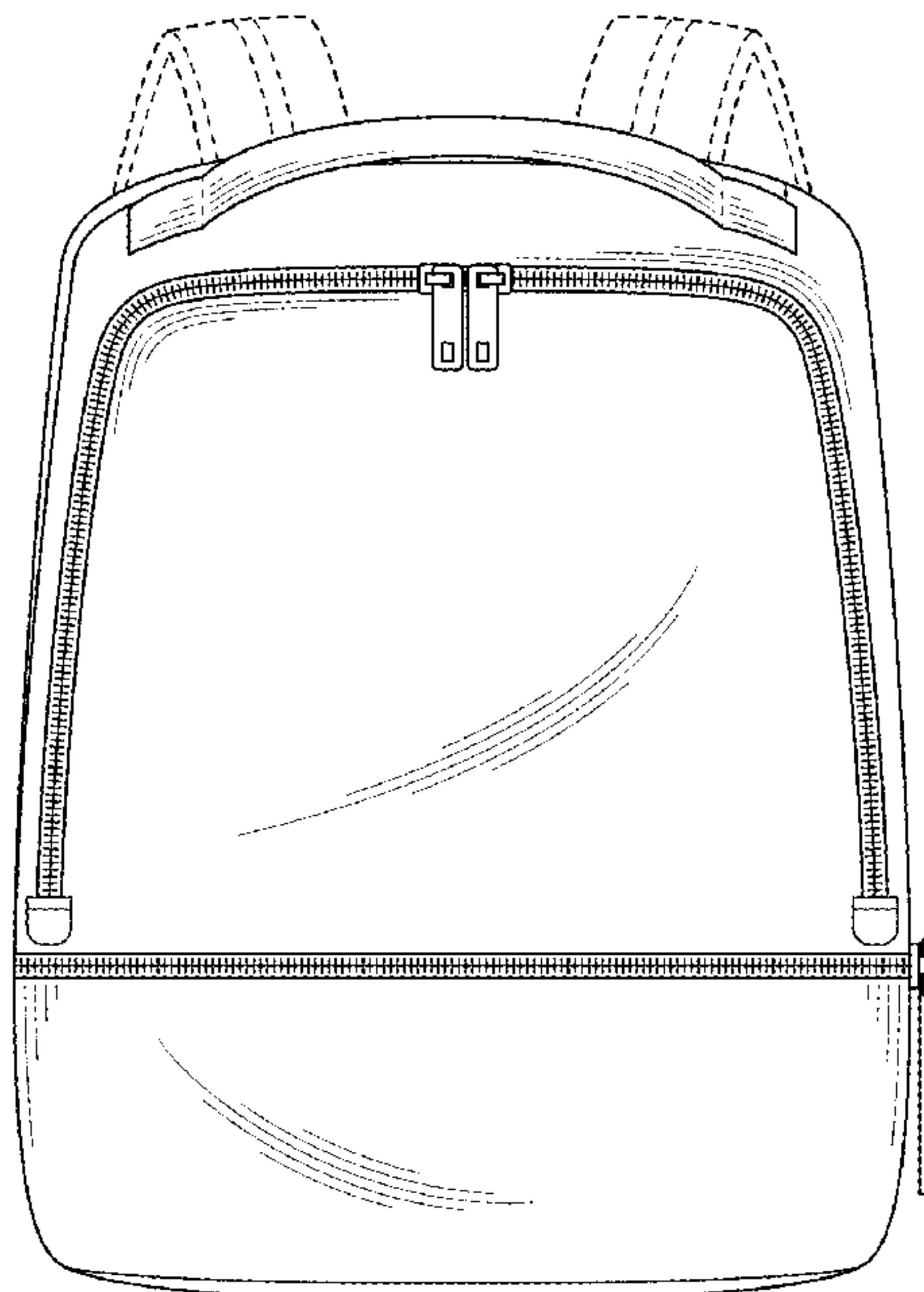
(57) **CLAIM**

The ornamental design for a backpack, as shown and described.

DESCRIPTION

FIG. 1 is a front view of a backpack showing my new design according to a first embodiment;
FIG. 2 is a right side view thereof;
FIG. 3 is a left side view thereof;
FIG. 4 is a front perspective view thereof;
FIG. 5 is a rear perspective view thereof;
FIG. 6 is a front view of a backpack showing my new design according to a second embodiment;
FIG. 7 is a right side view thereof;
FIG. 8 is a left side view thereof;
FIG. 9 is a front perspective view thereof; and,
FIG. 10 is a rear perspective view thereof.
The dashed broken lines in the drawings illustrate portions of the backpack that form no part of the claimed design.

1 Claim, 10 Drawing Sheets



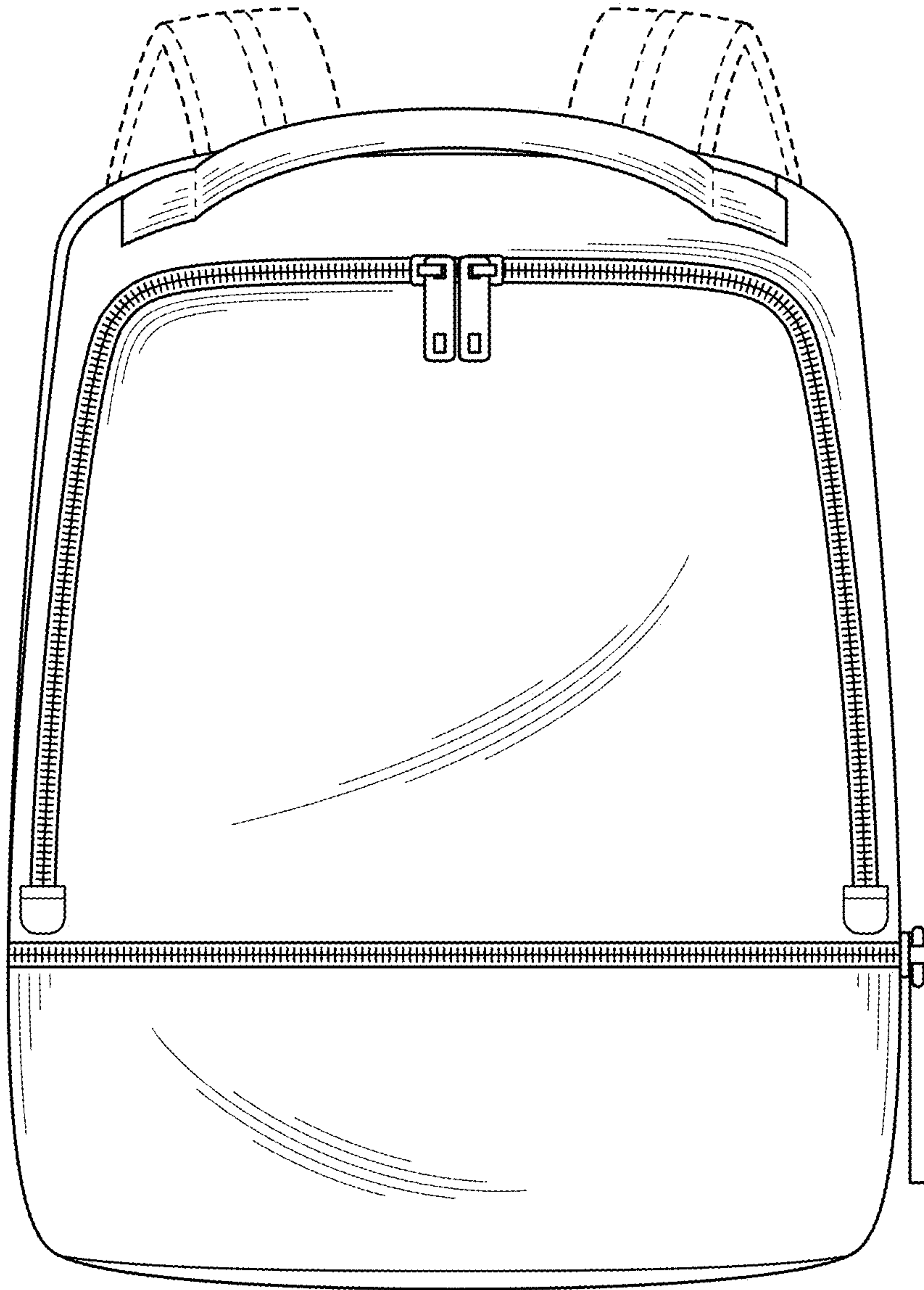


FIG. 1

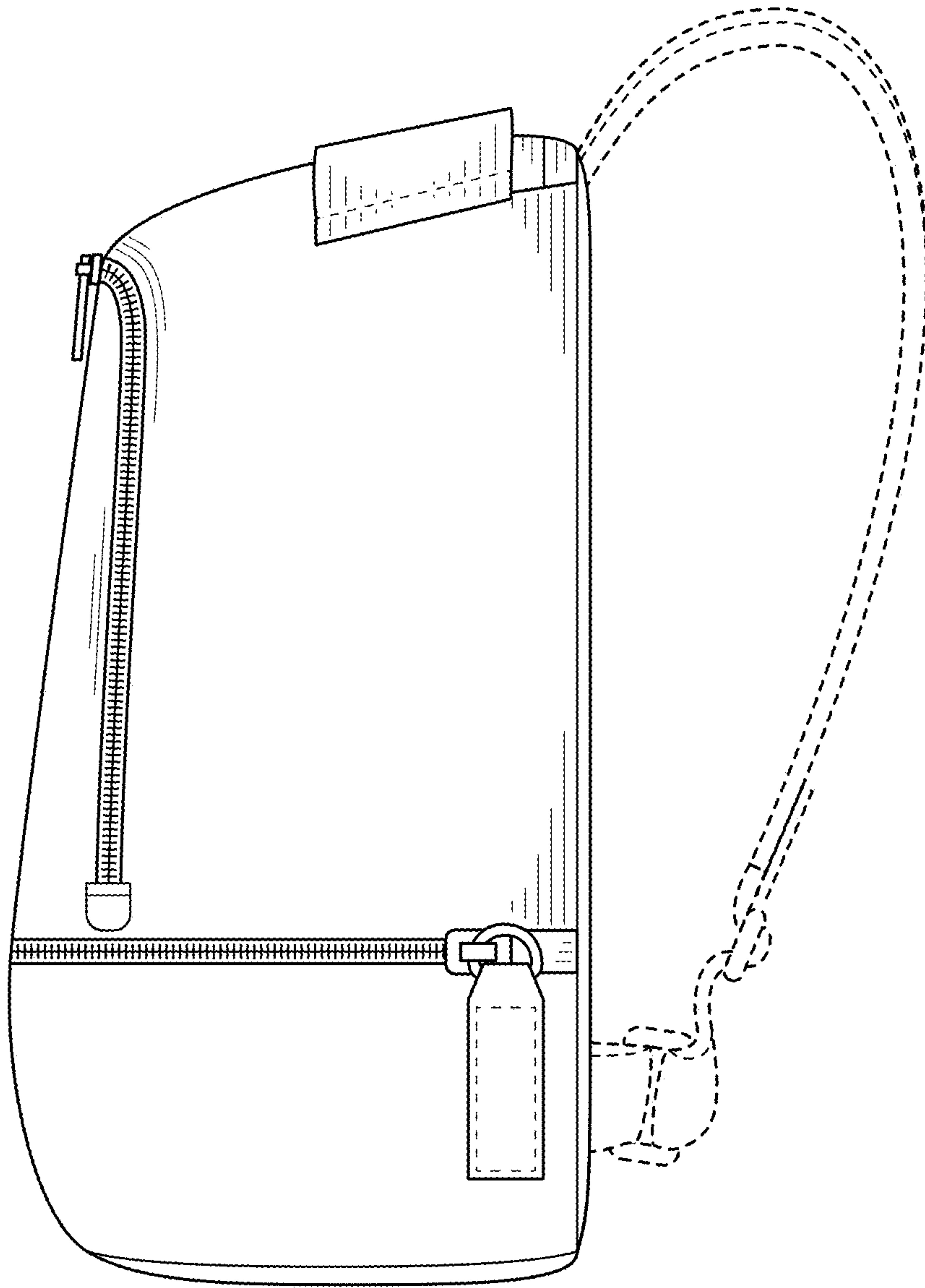


FIG. 2

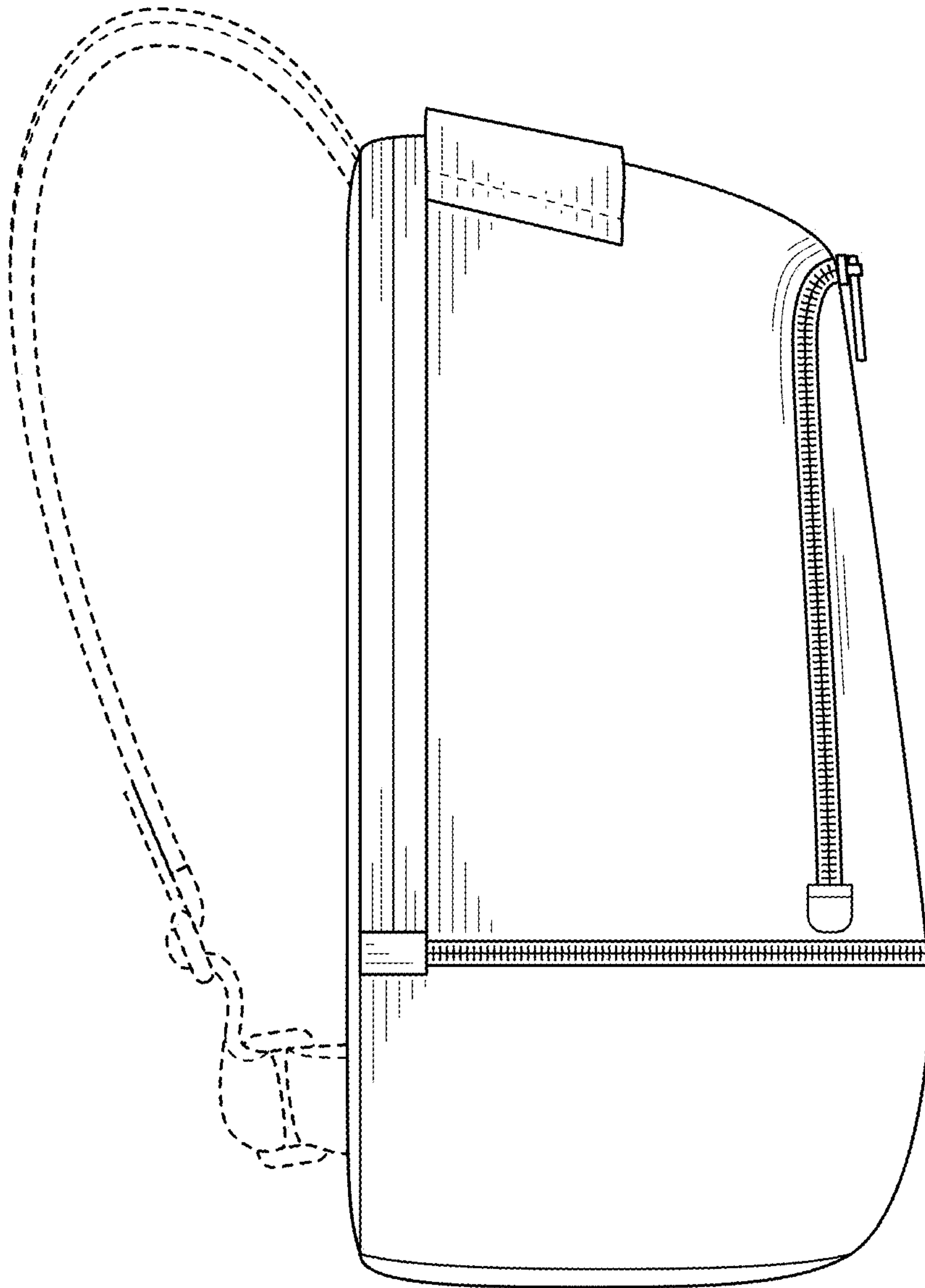


FIG. 3

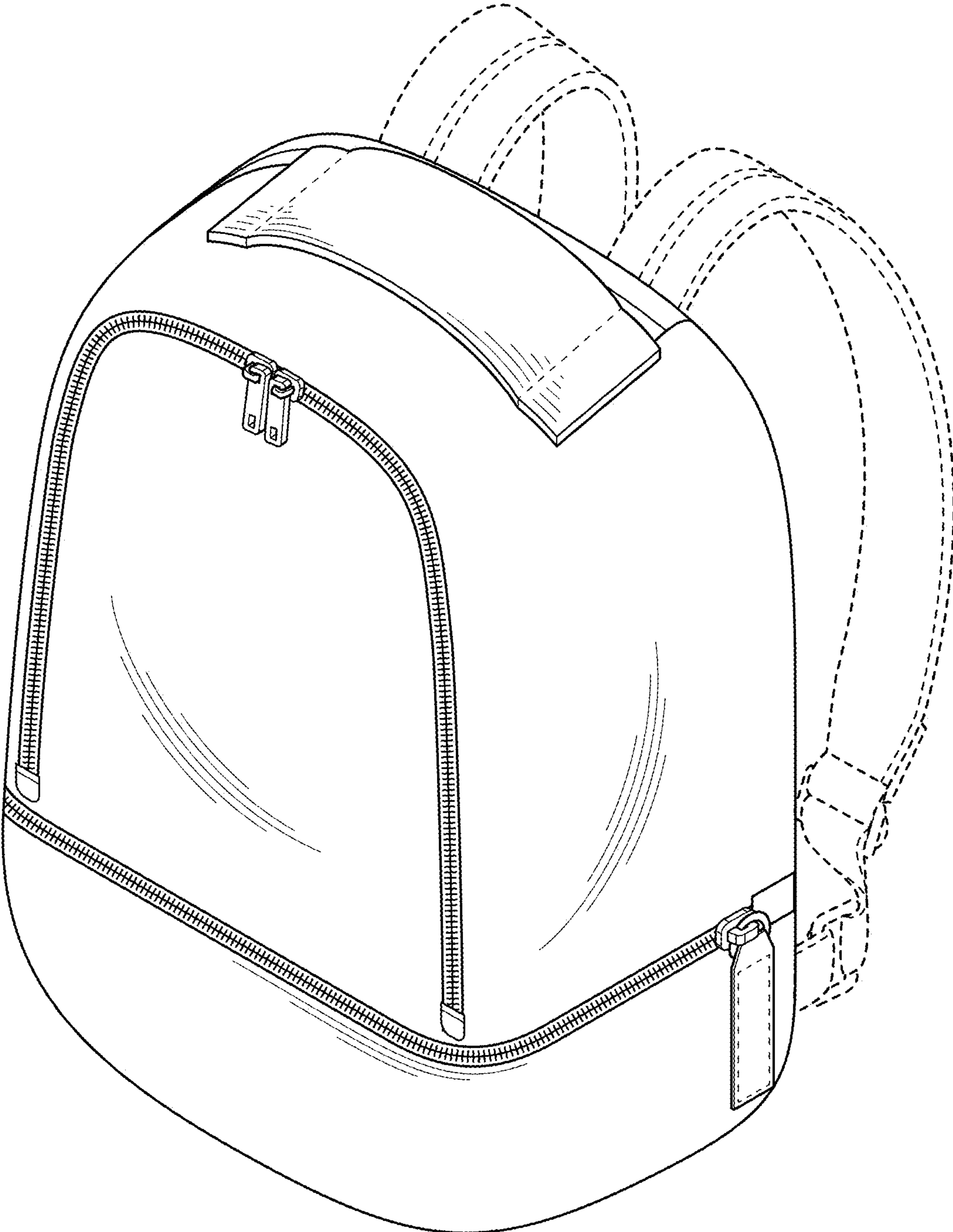


FIG. 4

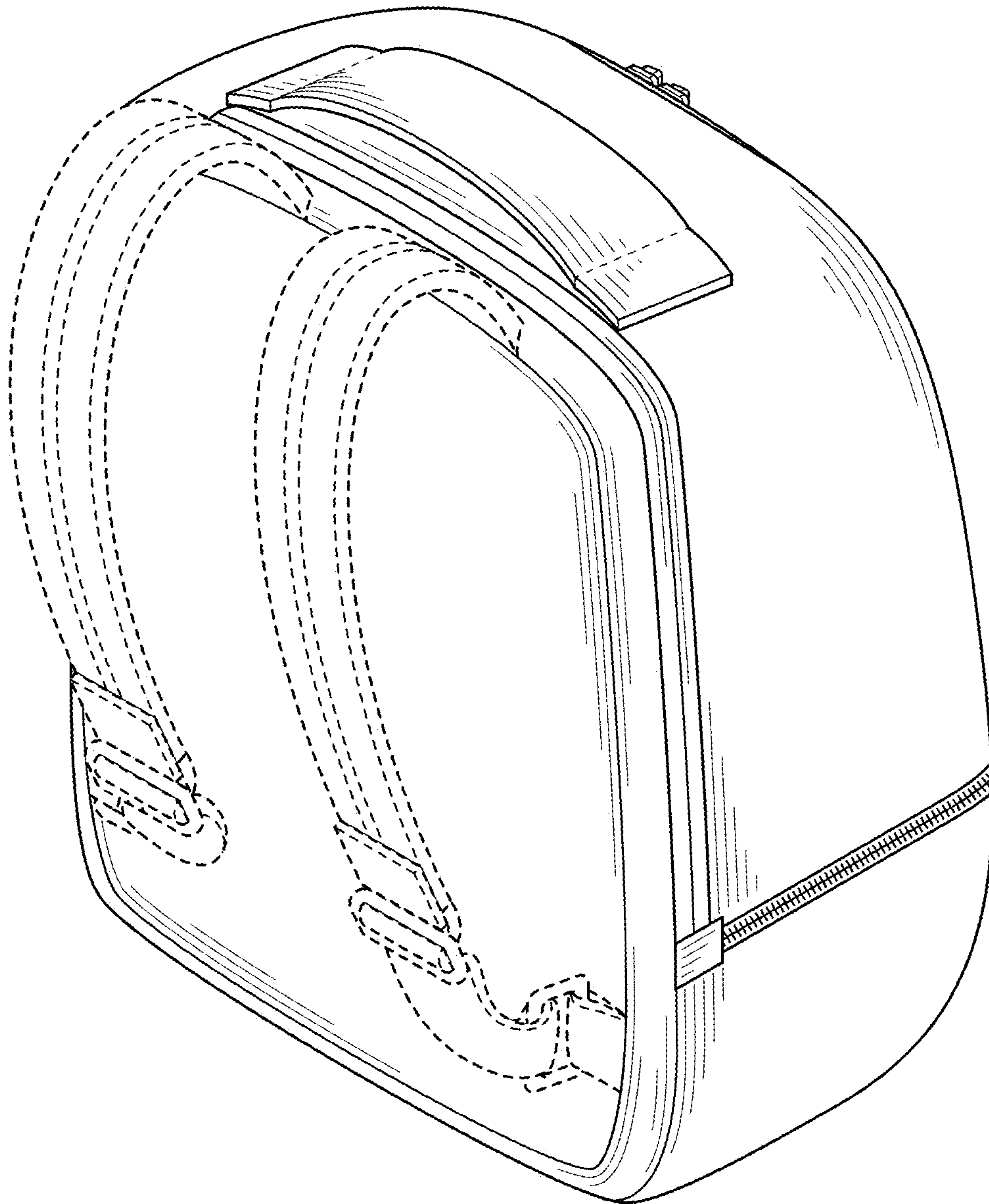


FIG. 5

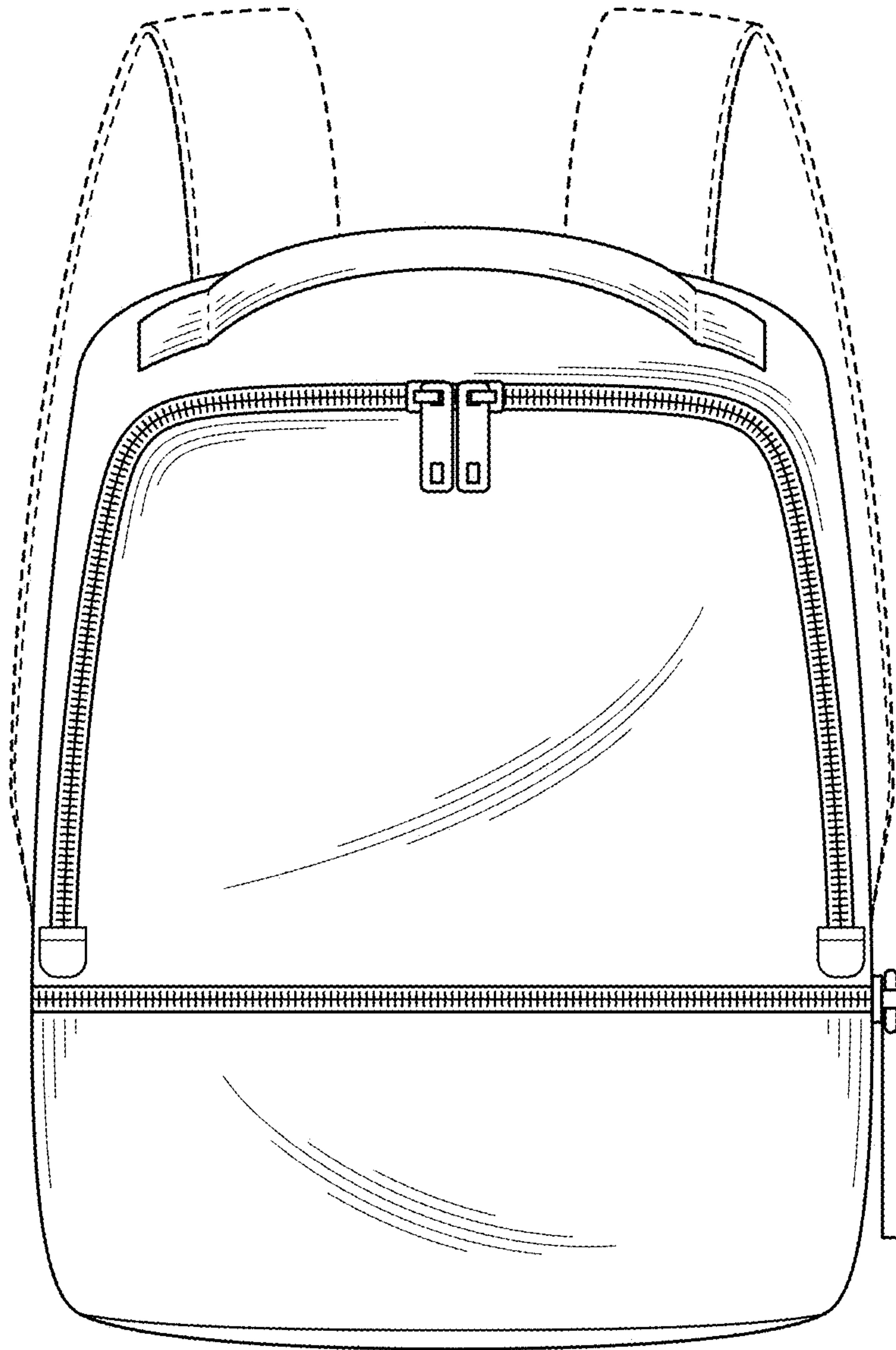


FIG. 6

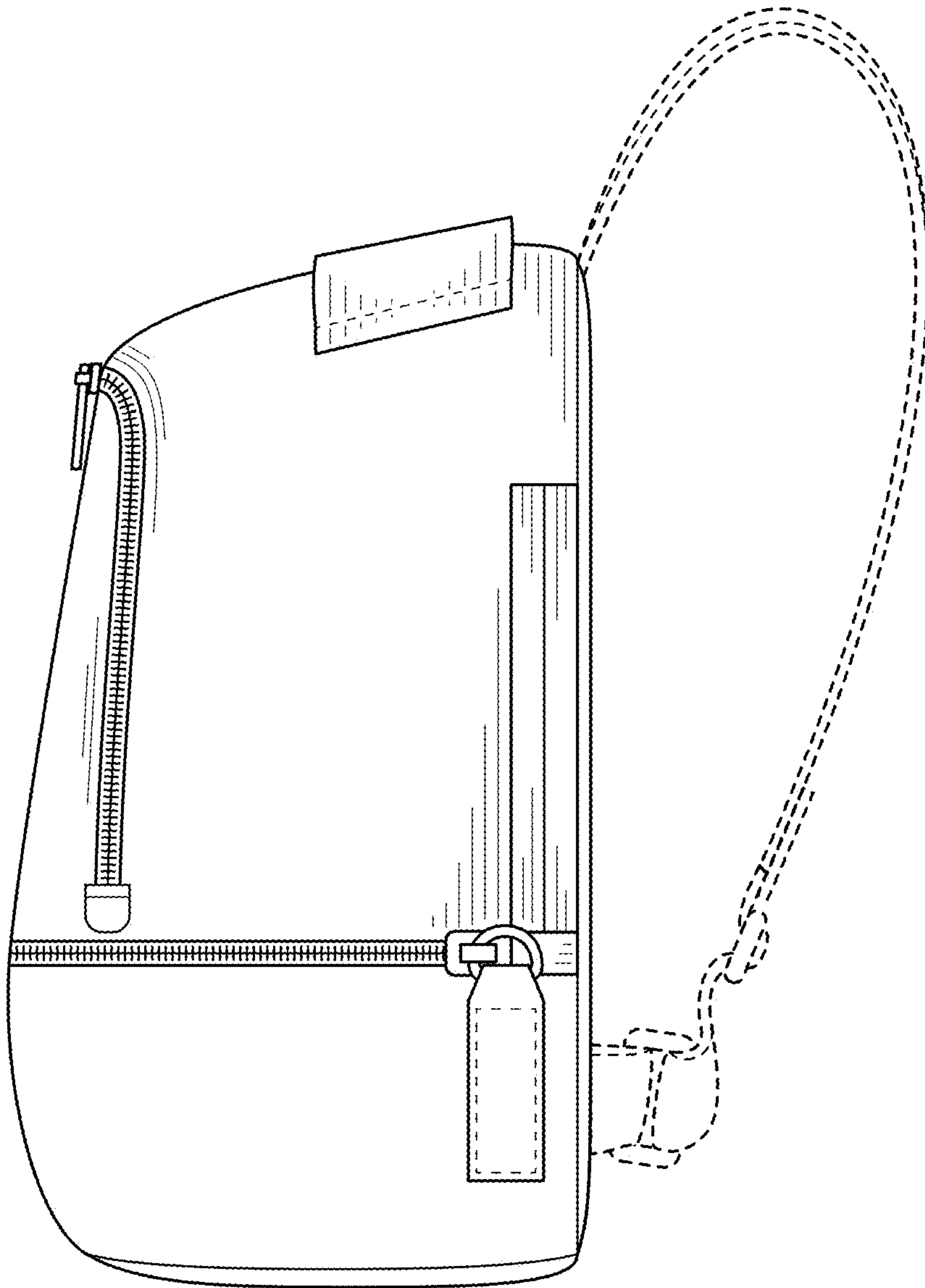


FIG. 7

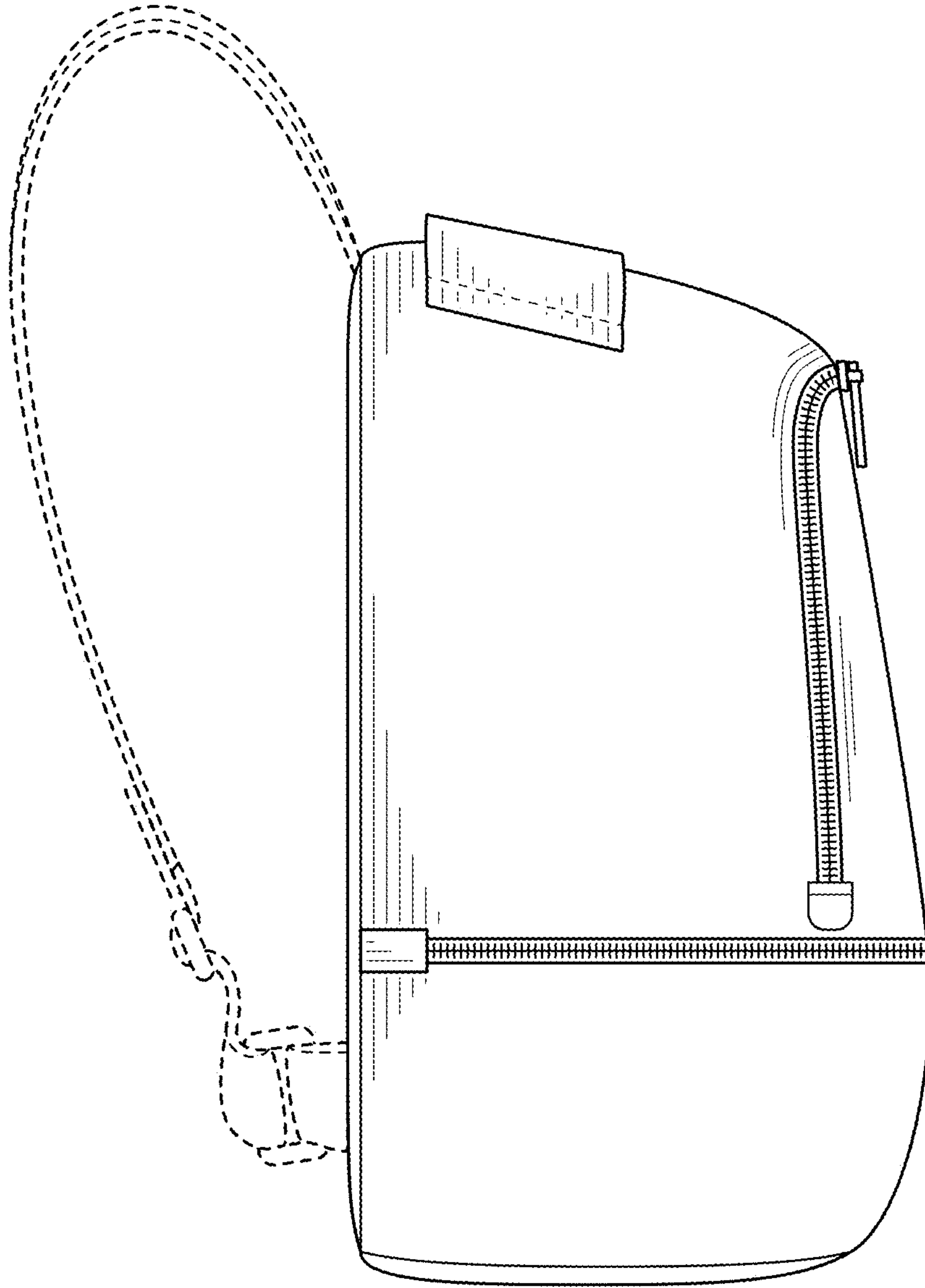


FIG. 8

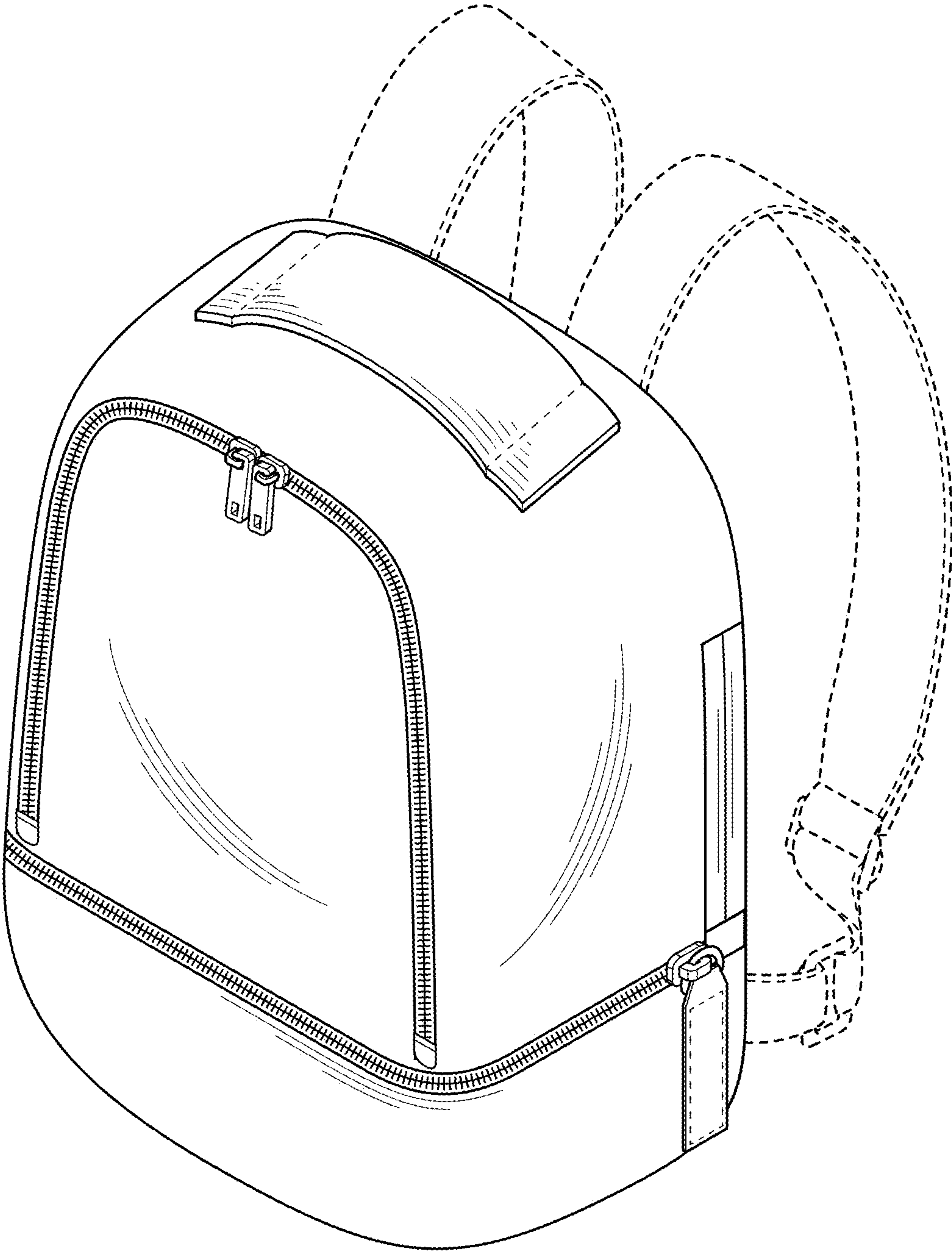


FIG. 9

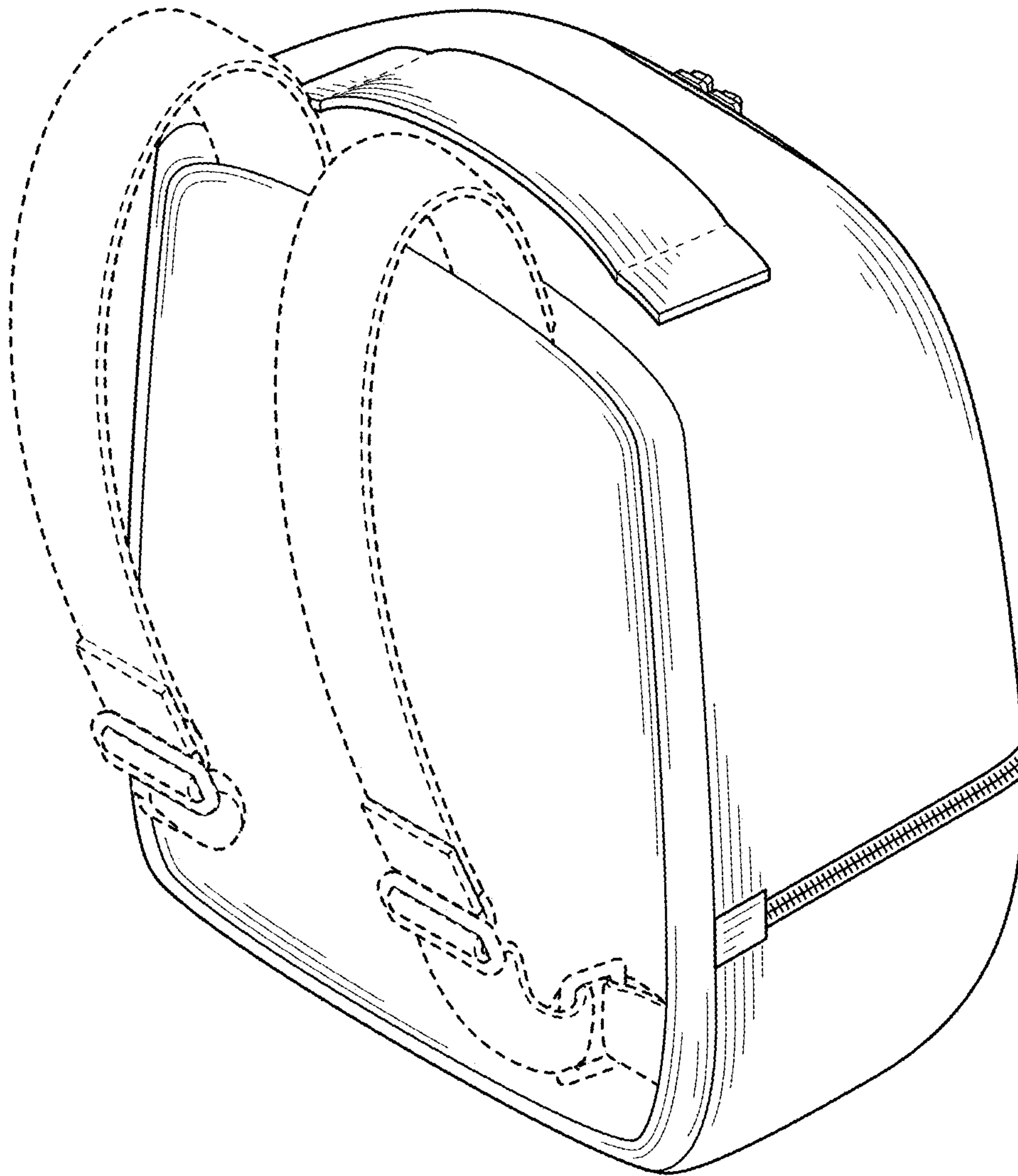


FIG. 10