



US00D877493S

(12) **United States Design Patent**
Zhang

(10) **Patent No.:** **US D877,493 S**
(45) **Date of Patent:** **** Mar. 10, 2020**

- (54) **BAG**
- (71) Applicant: **Dieyan Zhang**, Jieyang (CN)
- (72) Inventor: **Dieyan Zhang**, Jieyang (CN)
- (**) Term: **15 Years**
- (21) Appl. No.: **29/707,591**
- (22) Filed: **Sep. 30, 2019**
- (51) **LOC (12) Cl.** **03-01**
- (52) **U.S. Cl.**
USPC **D3/215; D3/301**
- (58) **Field of Classification Search**
USPC D3/201, 203.1, 203.2, 273, 276, 294,
D3/295, 298, 302, 318, 901, 902, 220,
D3/903, 215, 226
CPC ... A45C 5/00; A45C 2011/001; A45C 211/16;
A45C 11/24; A45C 5/08; A45C 2013/306
See application file for complete search history.

(56) **References Cited**

U.S. PATENT DOCUMENTS

| | | | |
|--------------|---------|-------------------|----------|
| D270,303 S * | 8/1983 | Zautner | D3/226 |
| D327,367 S * | 6/1992 | Carrow | D3/222 |
| D401,406 S * | 11/1998 | Alves | D3/215 |
| D440,041 S * | 4/2001 | Fermin | D3/226 |
| D451,674 S * | 12/2001 | Leins | D3/206 |
| D551,451 S * | 9/2007 | Nathanson | D21/385 |
| D603,605 S * | 11/2009 | Dingman | D3/226 |
| D625,915 S | 10/2010 | Parsley et al. | |
| D657,125 S * | 4/2012 | Gold | D3/203.1 |
| D712,144 S * | 9/2014 | Albanese | D3/301 |
| D722,765 S * | 2/2015 | Abrego | D3/226 |
| D724,843 S * | 3/2015 | Abbott | D3/301 |
| D782,186 S * | 3/2017 | Gellert | D3/226 |
| D793,720 S | 8/2017 | Tien | |
| D808,168 S * | 1/2018 | Turczynskyj | D3/301 |
| D822,996 S * | 7/2018 | Ehara | D3/301 |
| D844,987 S | 4/2019 | Nickels | |

| | | | |
|--------------|---------|---------------|--------|
| D851,395 S * | 6/2019 | Jusic | D3/226 |
| D857,391 S * | 8/2019 | Coleman | D3/301 |
| D866,969 S * | 11/2019 | Cordani | D3/301 |

OTHER PUBLICATIONS

Amazon, "CloudTen Pink Travel Case Compatible with Pax 2 or Pax 3 Portable Oven, Includes Case Only", First reviewed Sep. 3, 2018. (<https://www.amazon.com/CloudTen-Pink-Travel-Compatible-Portable/dp/B07DKWRPC5/>) (Year: 2018).*

Amazon, "Hard EVA Carrying Case for Wireless Presenter, fits DinoFire, Doosl, Logitech, Zoweetek, BlueBeach, RF 2.4GHz by AGPTEK", first on sale Nov. 19, 2018. (<https://www.amazon.com/dp/B07KPVL1KV/>) (Year: 2018).*

Amazon, "GLCON Rectangle Shaped Portable Protection Hard EVA Case,Mesh Inner Pocket . . .",first on sale Jun. 5, 2014. (<https://www.amazon.com/GLCON-Rectangle-Protection-Enclosure-Lightweight/dp/B00KRURIEO?th=1>) (Year: 2014).*

* cited by examiner

Primary Examiner — April Rivas

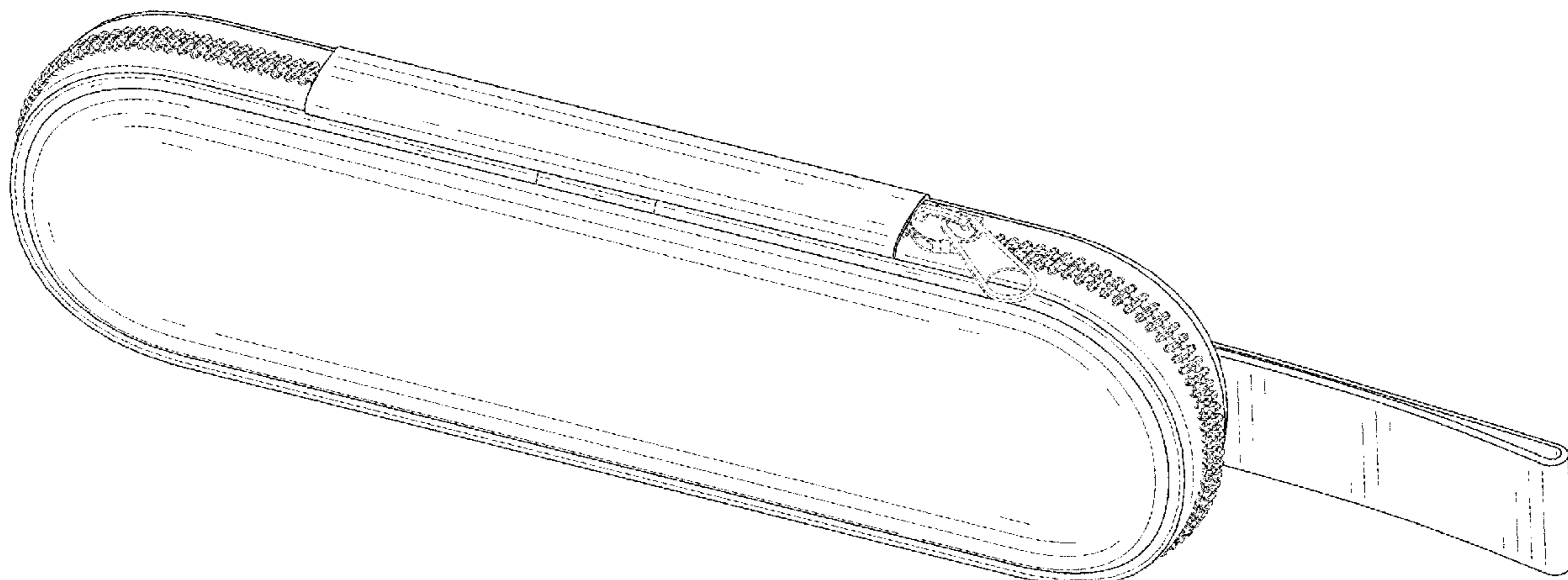
(57) **CLAIM**

The ornamental design for a bag, as shown and described.

DESCRIPTION

FIG. 1 is a perspective view of a bag showing my new design;
 FIG. 2 is another perspective view thereof;
 FIG. 3 is a front elevational view thereof;
 FIG. 4 is a rear elevational view thereof;
 FIG. 5 is a left side elevational view thereof;
 FIG. 6 is a right side elevational view thereof;
 FIG. 7 is a top plan view thereof;
 FIG. 8 is a bottom plan view thereof; and,
 FIG. 9 is a perspective view of the bag where the bag is in an open state.
 The broken lines in the drawings depict portions of the bag that form no part of the claimed design.

1 Claim, 9 Drawing Sheets



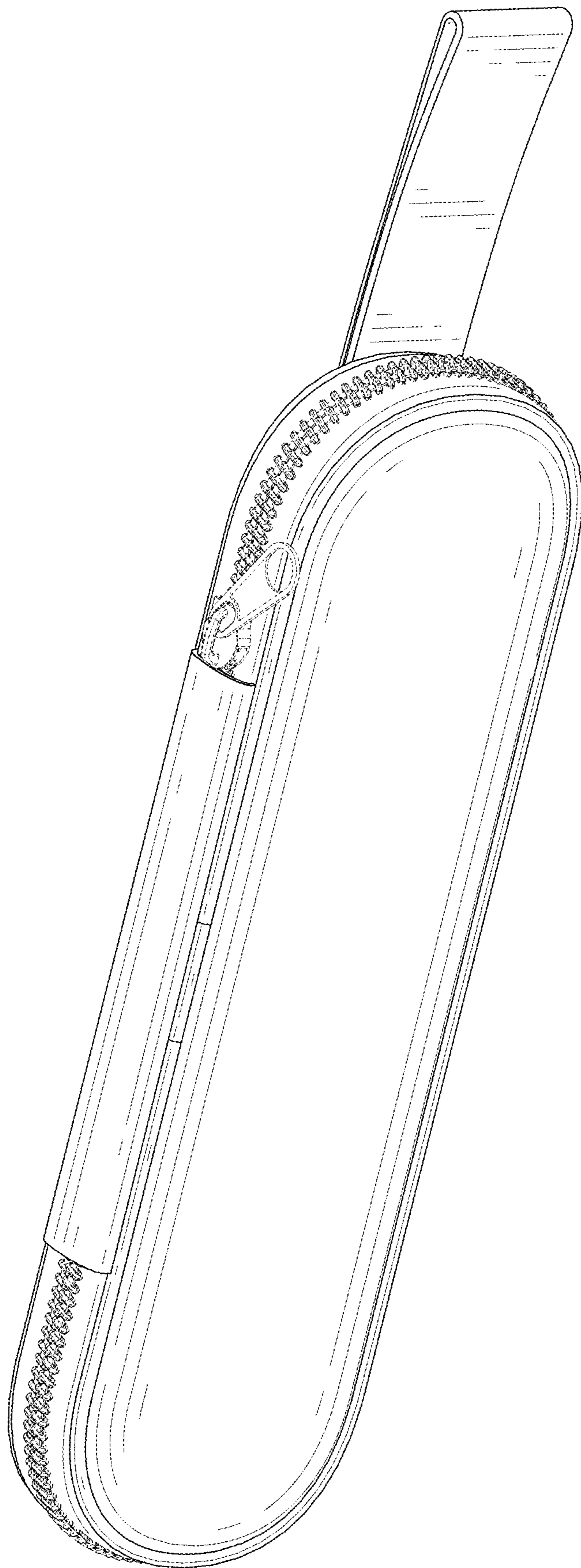


FIG. 1

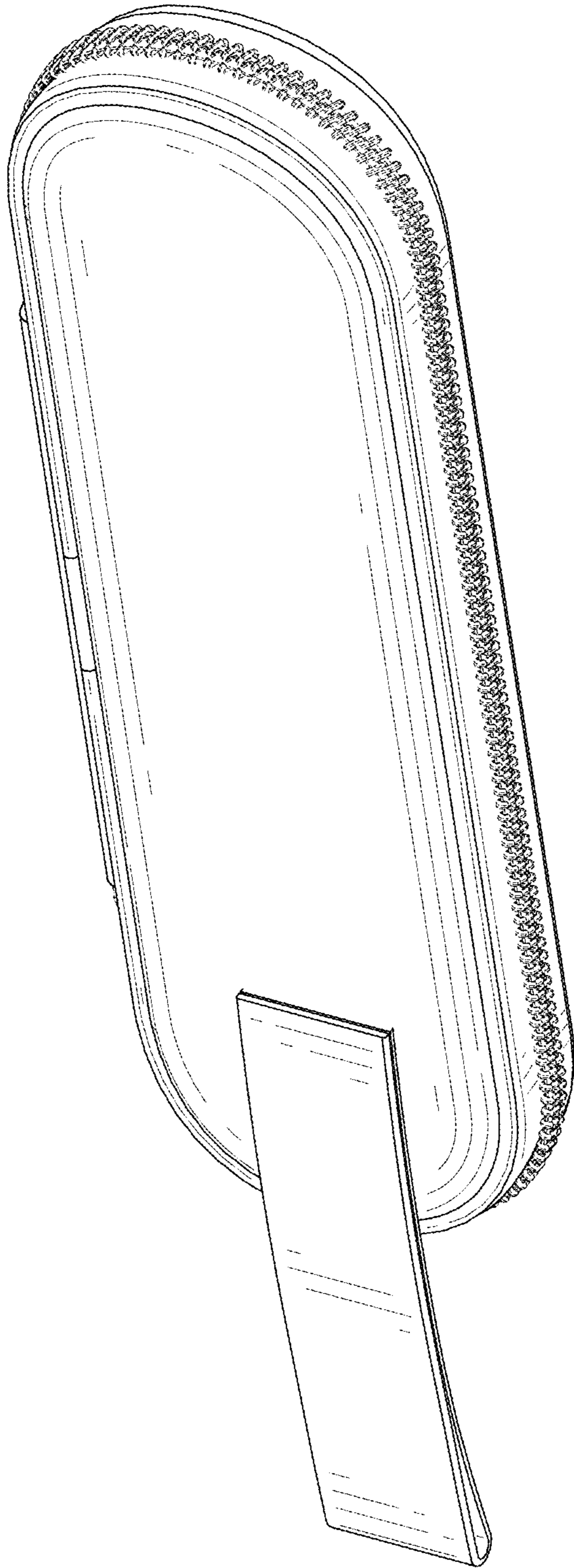


FIG. 2

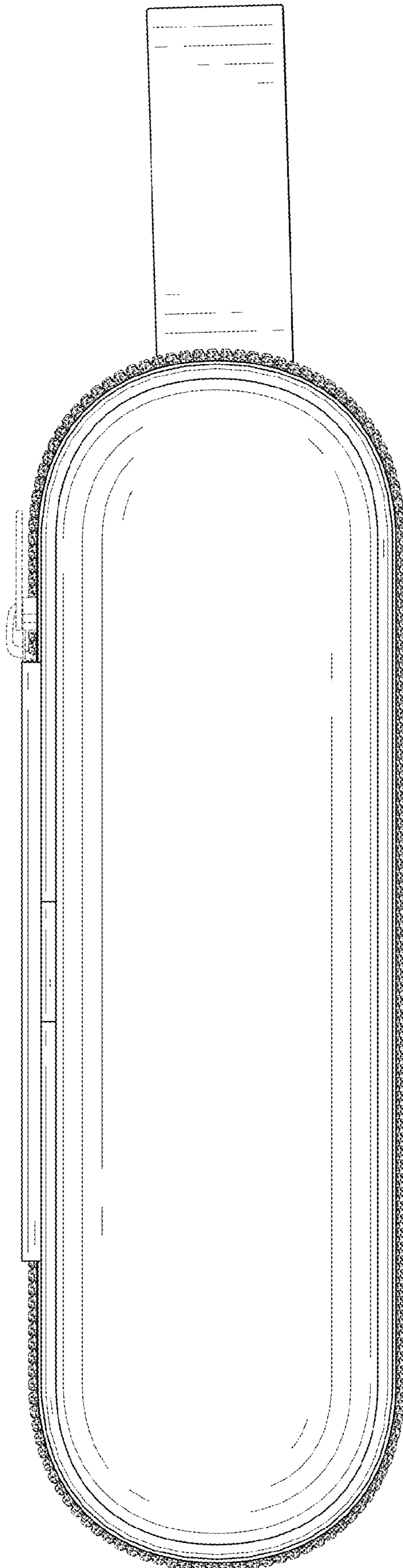


FIG. 3

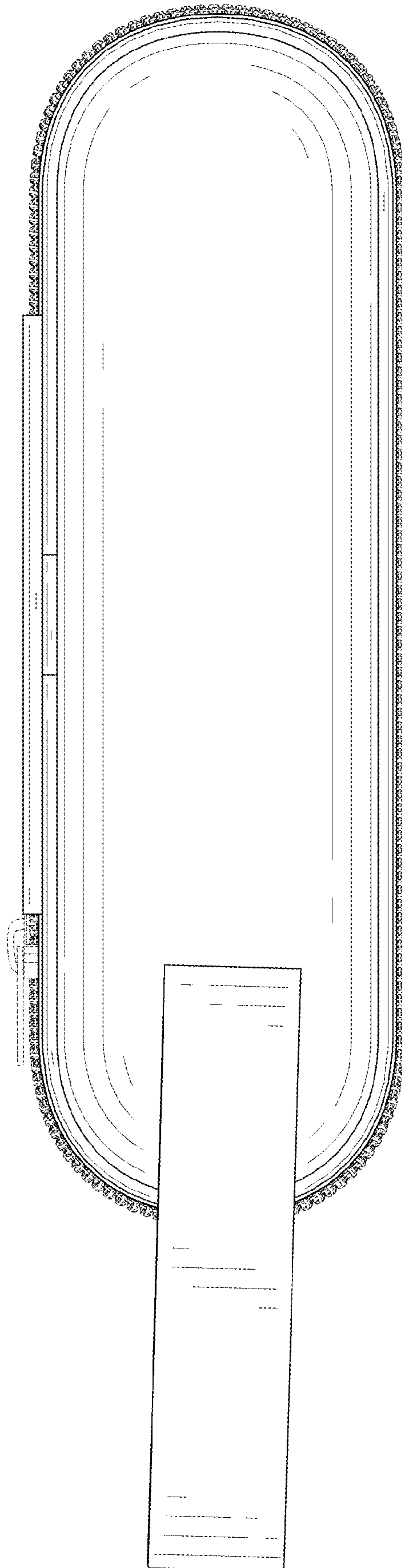


FIG. 4

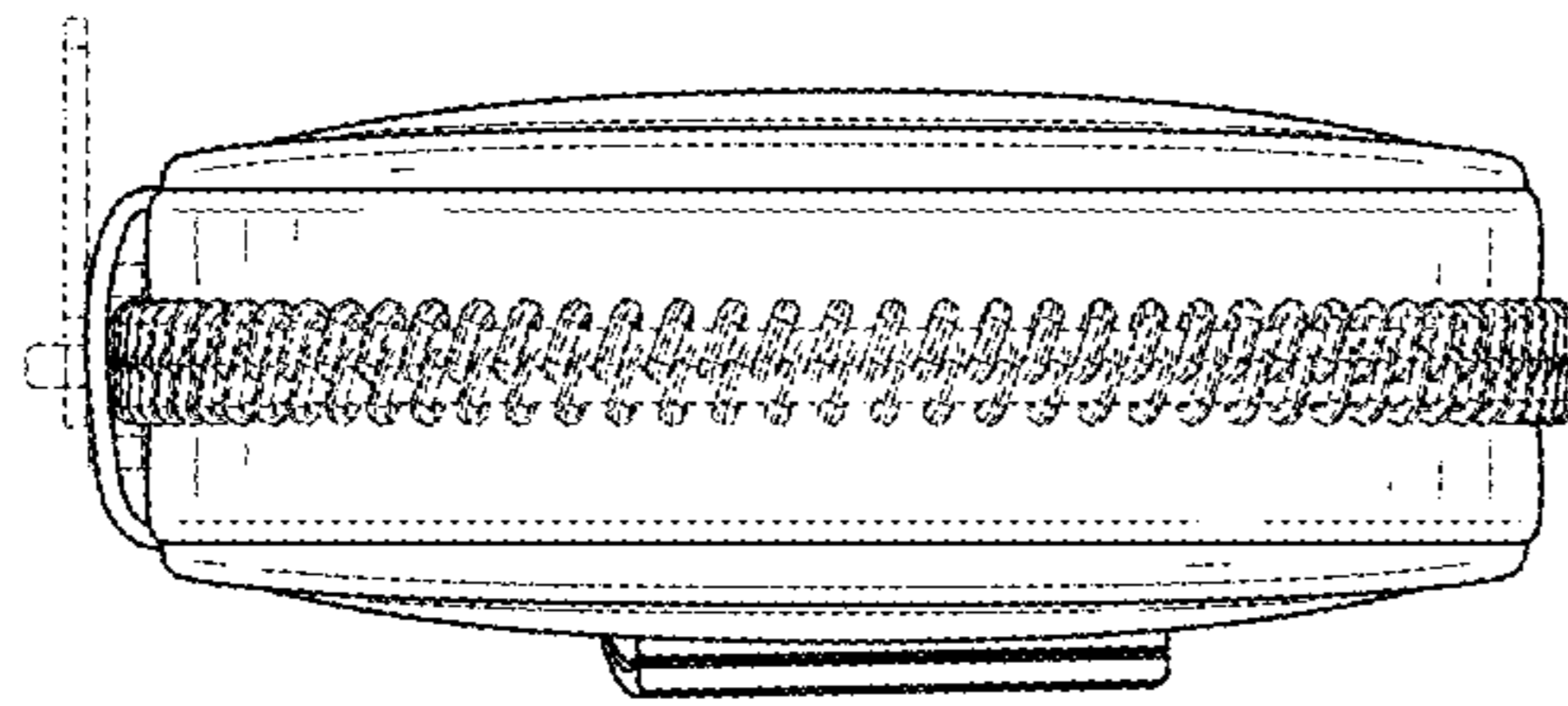


FIG. 5

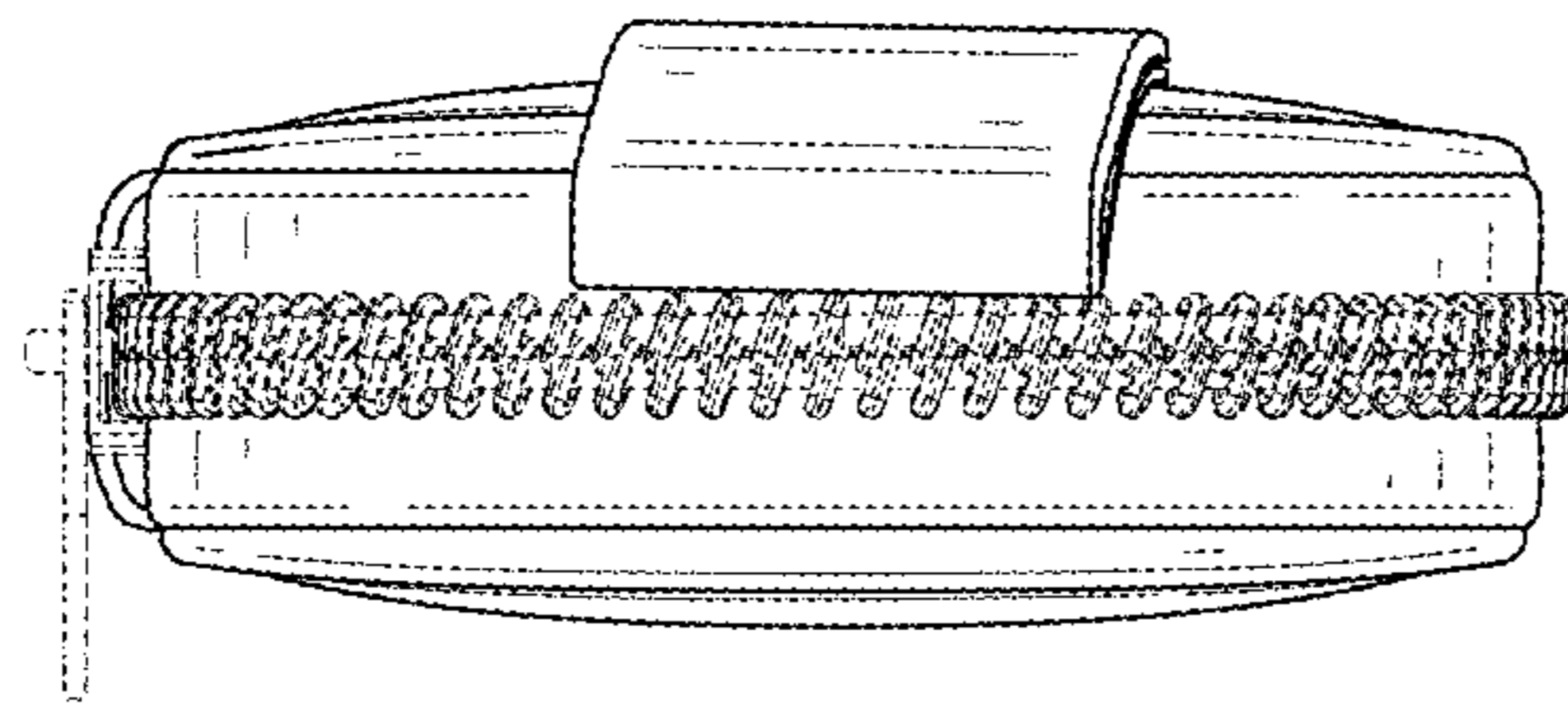


FIG. 6

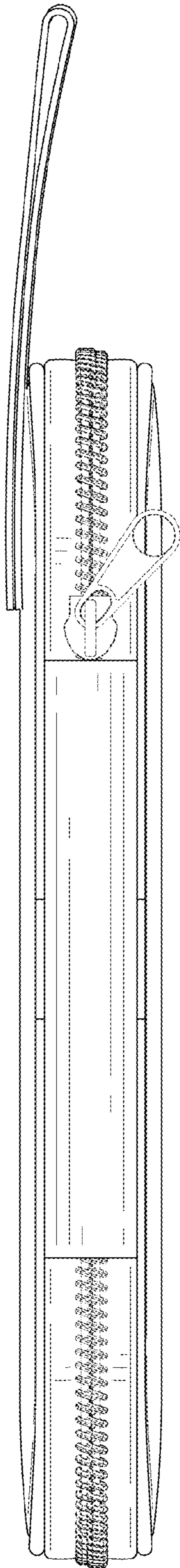


FIG. 7

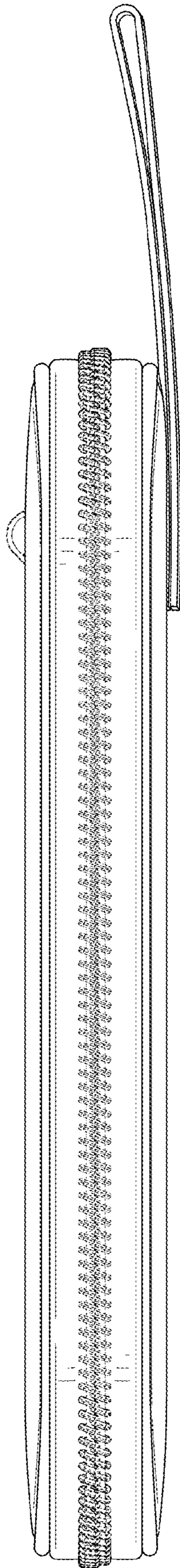


FIG. 8

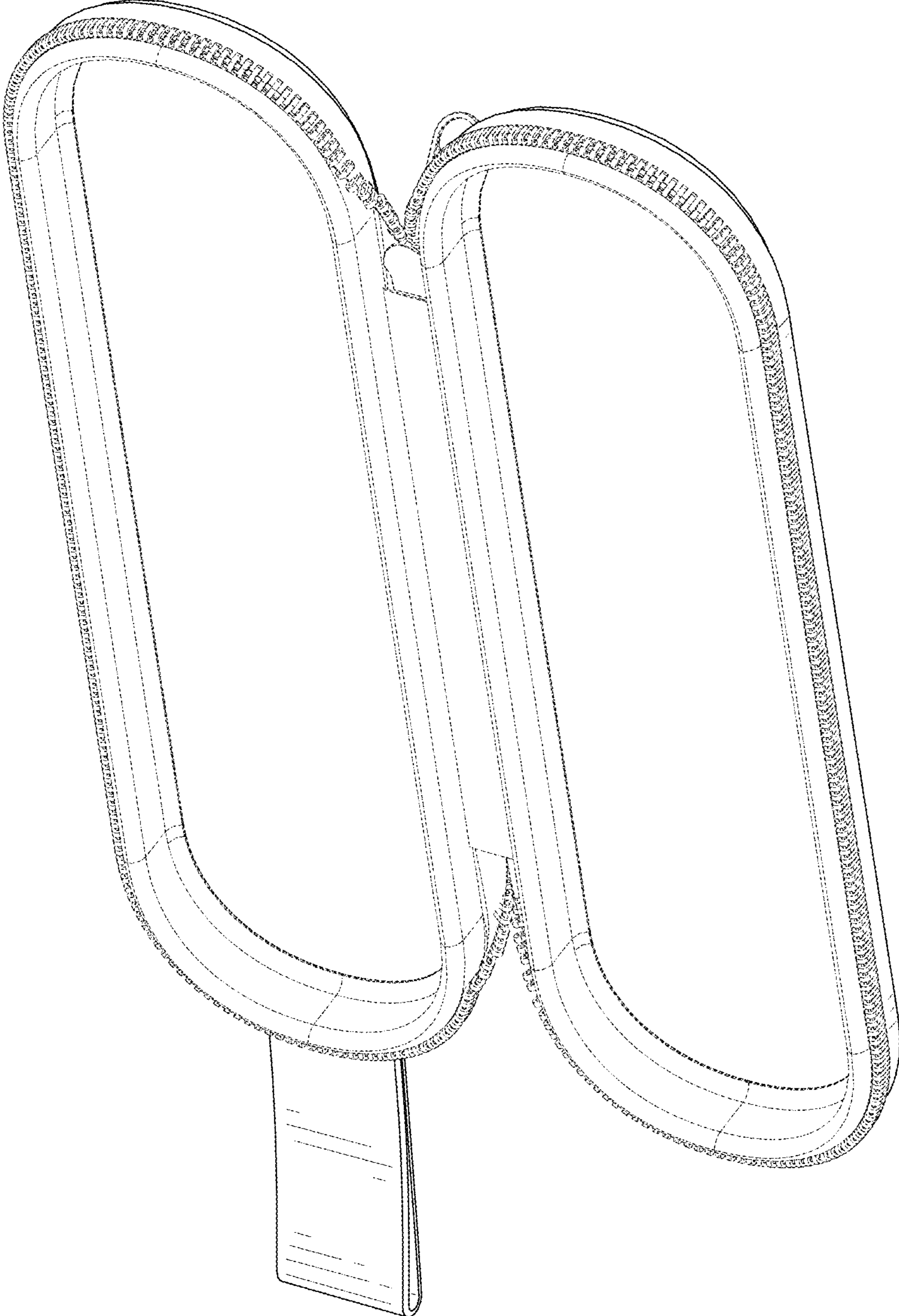


FIG. 9