



US00D877492S

(12) **United States Design Patent** (10) **Patent No.:** **US D877,492 S**
Eynav (45) **Date of Patent:** **** Mar. 10, 2020**

- (54) **HOLSTER**
- (71) Applicant: **SPIDER GEAR LLC**, Lansing, NY (US)
- (72) Inventor: **Shai Eynav**, Ithaca, NY (US)
- (73) Assignee: **SPIDER GEAR, LLC**, Lansing, NY (US)
- (**) Term: **15 Years**
- (21) Appl. No.: **29/673,036**
- (22) Filed: **Dec. 11, 2018**
- (51) **LOC (12) Cl.** **03-01**
- (52) **U.S. Cl.**
USPC **D3/215**
- (58) **Field of Classification Search**
USPC D3/201, 215, 218, 220-221, 228, 222, D3/226, 224; D16/219, 567, 553, D16/512-513, 540, 545, 555; D6/567, D6/553, 512, 513, 540, 545, 555; D7/631; D24/134; D30/101; D19/90; 224/219, 242, 222, 901, 267, 231, 268, 224/240
CPC A45C 11/00; A45C 2011/002; A45F 5/02; A45F 2200/0516; A45F 2005/027
See application file for complete search history.

- D485,060 S * 1/2004 DeCotis D3/215
- 6,880,794 B1 4/2005 Kahn
- D771,376 S * 11/2016 Ray D3/222
- 2007/0099469 A1 5/2007 Sorensen
- 2016/0198763 A1 7/2016 Adkins et al.

OTHER PUBLICATIONS

U.S. Appl. No. 15/728,769, filed Oct. 10, 2017.

* cited by examiner

Primary Examiner — Catherine R Oliver-Garcia
(74) *Attorney, Agent, or Firm* — Donald J. Lecher

(57) **CLAIM**

The ornamental design for a holster, as shown.

DESCRIPTION

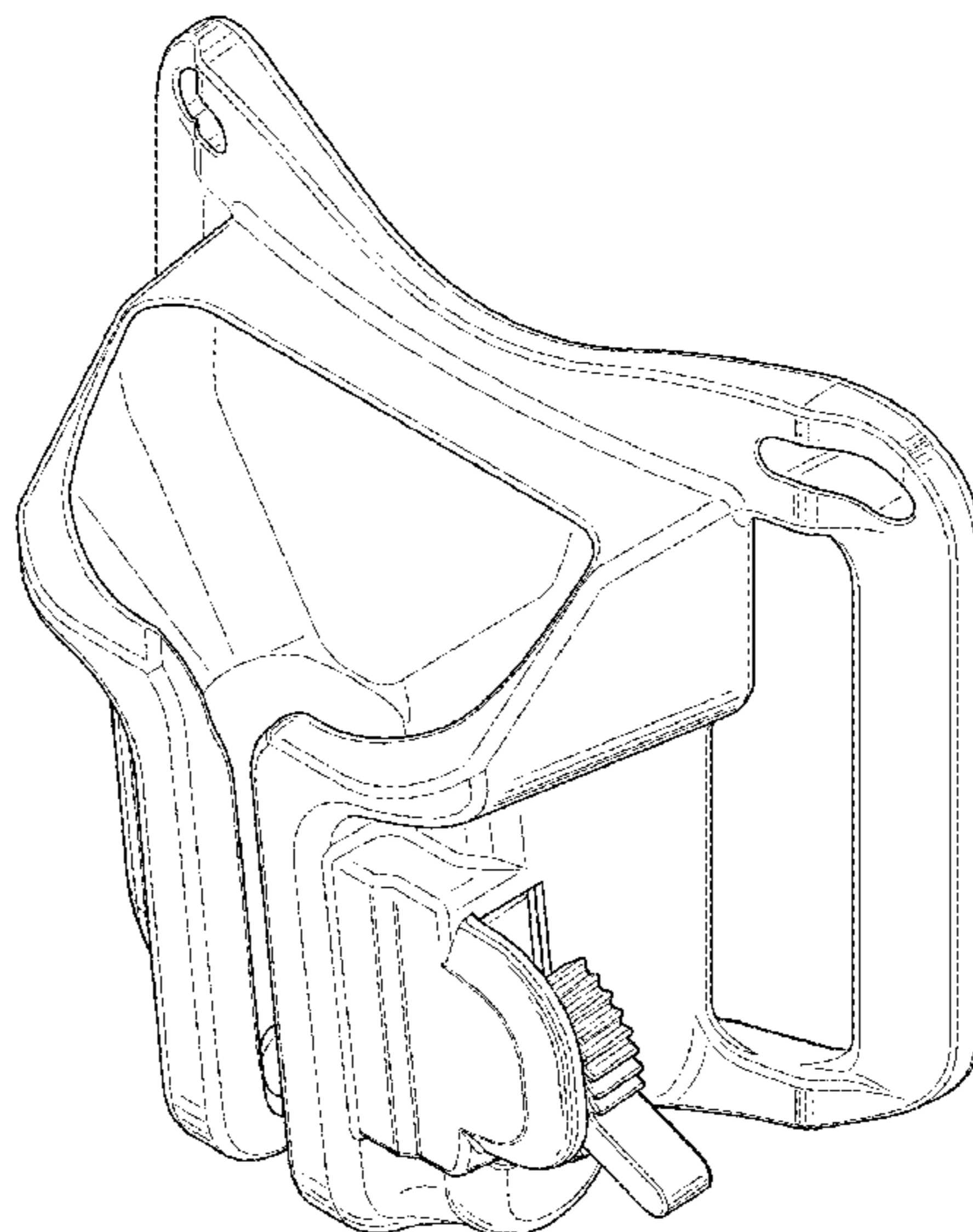
FIG. 1 is a front and side perspective view of a first embodiment of the holster of this invention;
 FIG. 2 is front and side perspective view, shown exploded;
 FIG. 3 is a front elevation view.
 FIG. 4 is a rear elevation view thereof;
 FIG. 5 is a side elevation view thereof;
 FIG. 6 is an opposite side elevation view thereof;
 FIG. 7 is a top plan view thereof;
 FIG. 8 is a bottom plan view thereof;
 FIG. 9 is a front and side perspective view of a second embodiment of the holster of this invention;
 FIG. 10 is a front and side perspective view, shown exploded;
 FIG. 11 is a front elevation view thereof;
 FIG. 12 is a rear elevation view thereof;
 FIG. 13 is a side elevation view thereof;
 FIG. 14 is an opposite side view thereof;
 FIG. 15 is a top plan view thereof; and,
 FIG. 16 is a bottom plan view thereof.
 The broken lines are included to show of structure in the drawings that form no part of the claimed design.

1 Claim, 12 Drawing Sheets

(56) **References Cited**

U.S. PATENT DOCUMENTS

- 2,743,894 A 5/1956 Ostnas
- D232,201 S * 7/1974 Hoffman D6/573
- D310,760 S * 9/1990 Murphy D6/515
- 5,201,858 A 4/1993 Otrusina
- 5,533,657 A 7/1996 Rosen et al.
- D382,396 S * 8/1997 Campman D3/215
- 5,774,957 A 7/1998 Kohl et al.
- D425,353 S * 5/2000 Foy D6/567
- D443,329 S * 6/2001 Helmreich D3/221
- D453,992 S * 3/2002 Lamanna D3/220



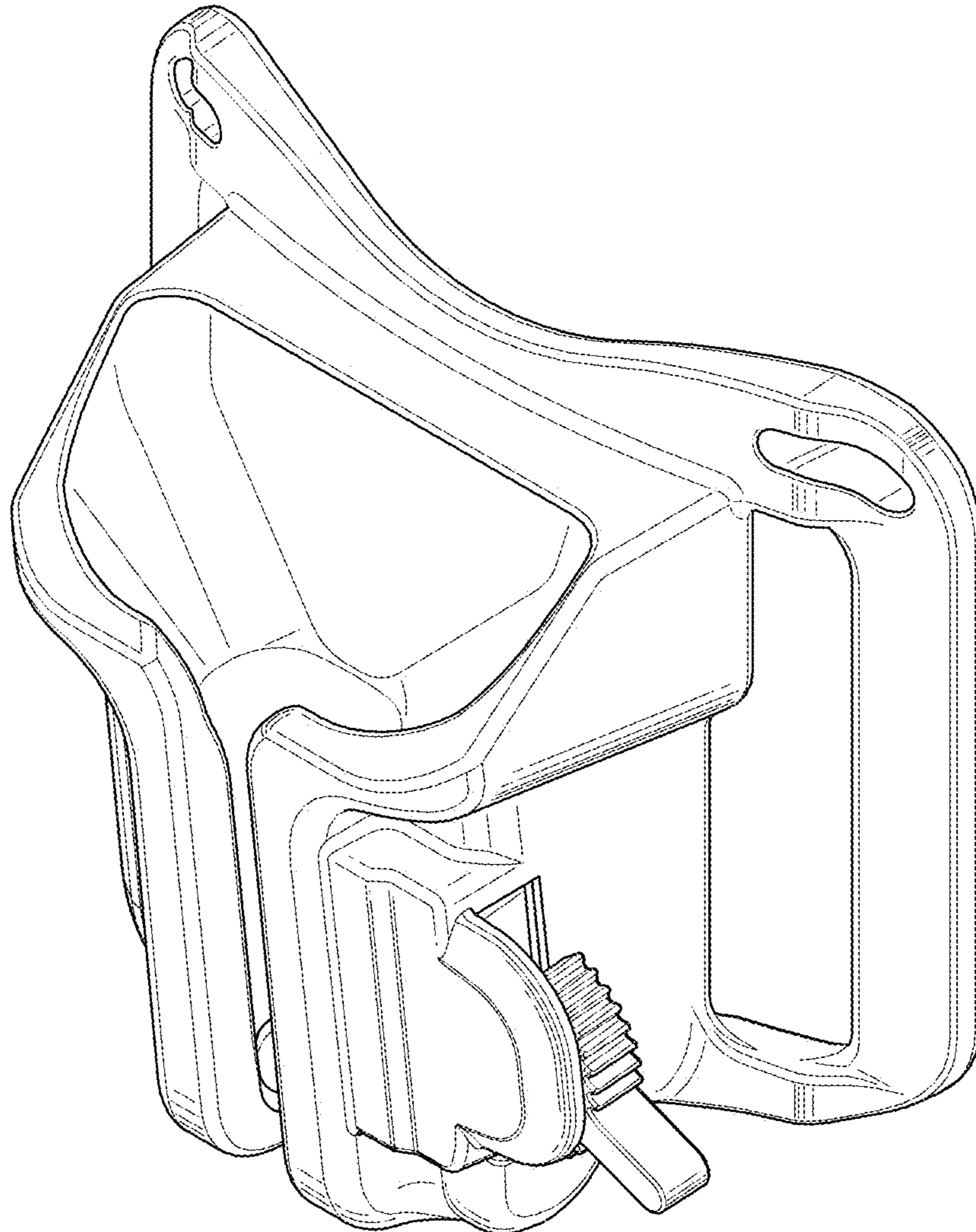


FIG. 1

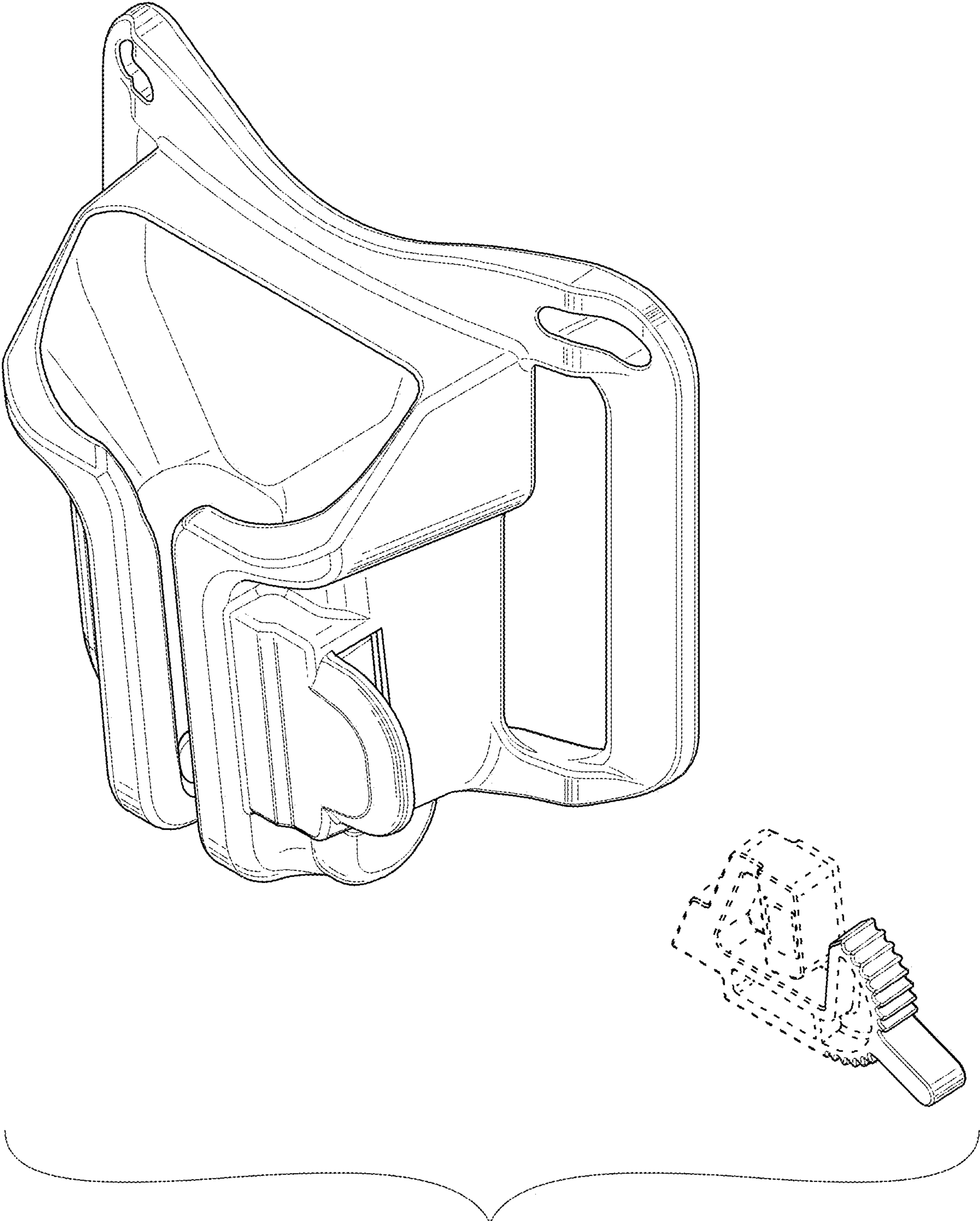


FIG. 2

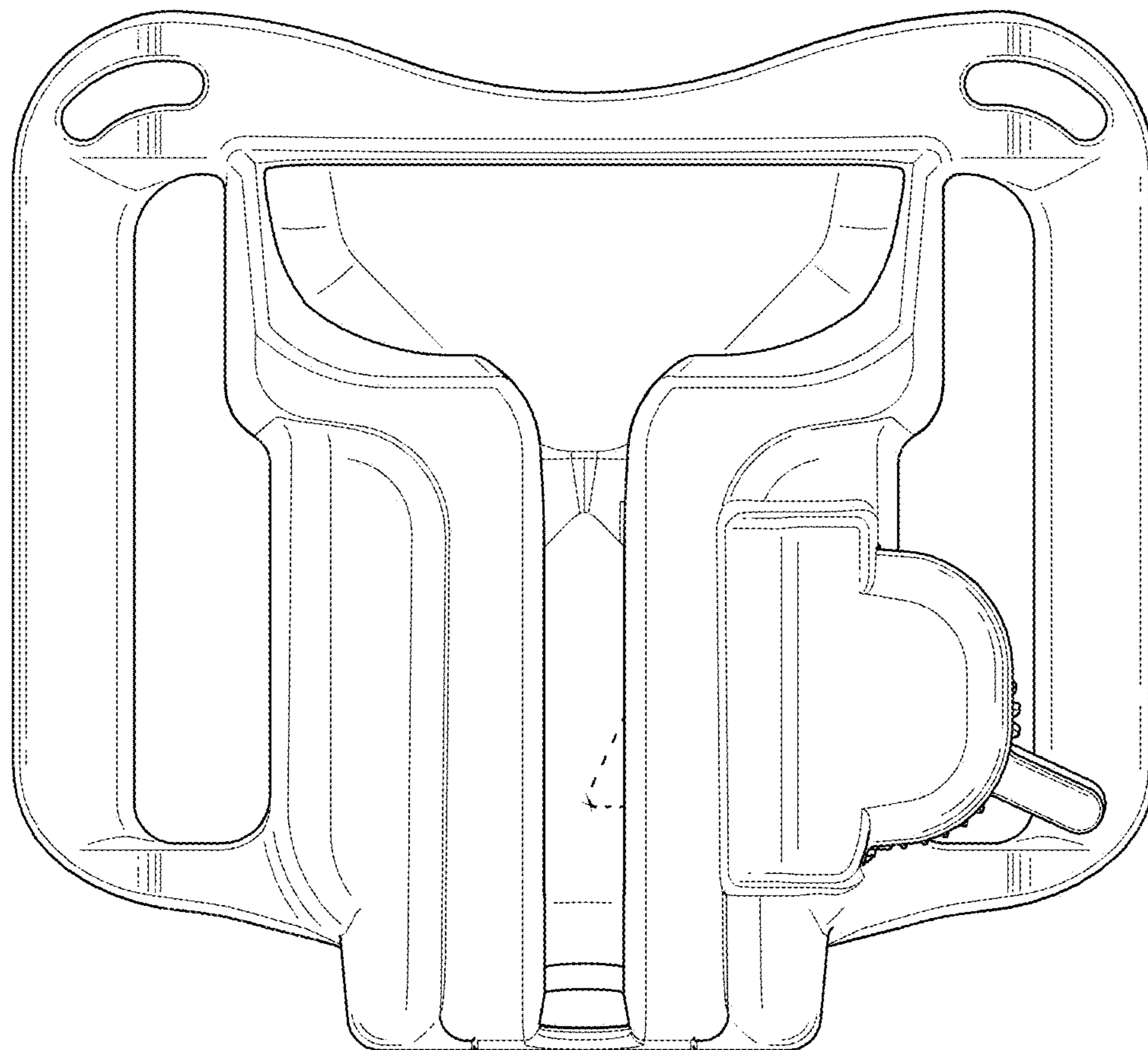


FIG. 3

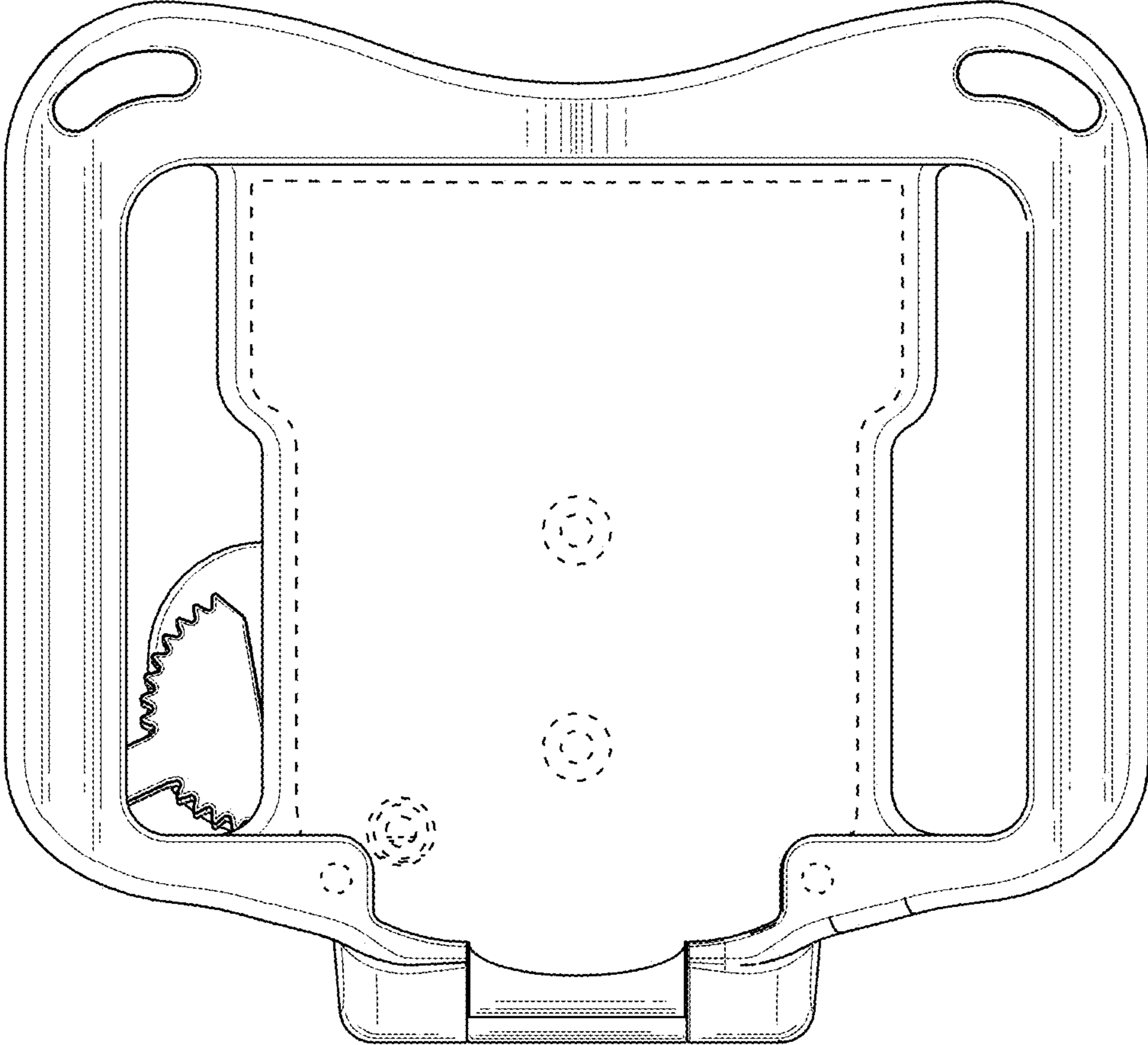


FIG. 4

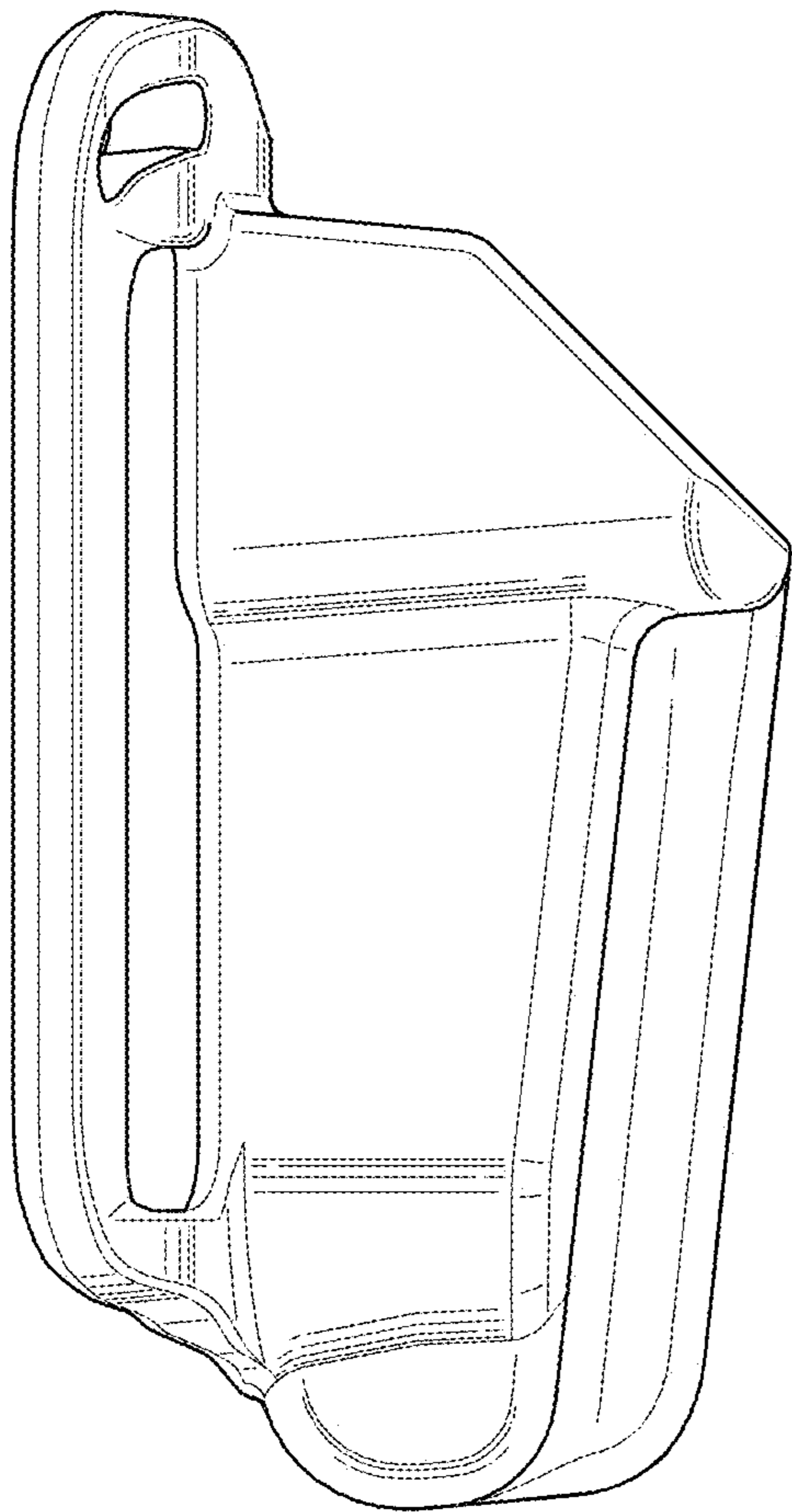


FIG. 5

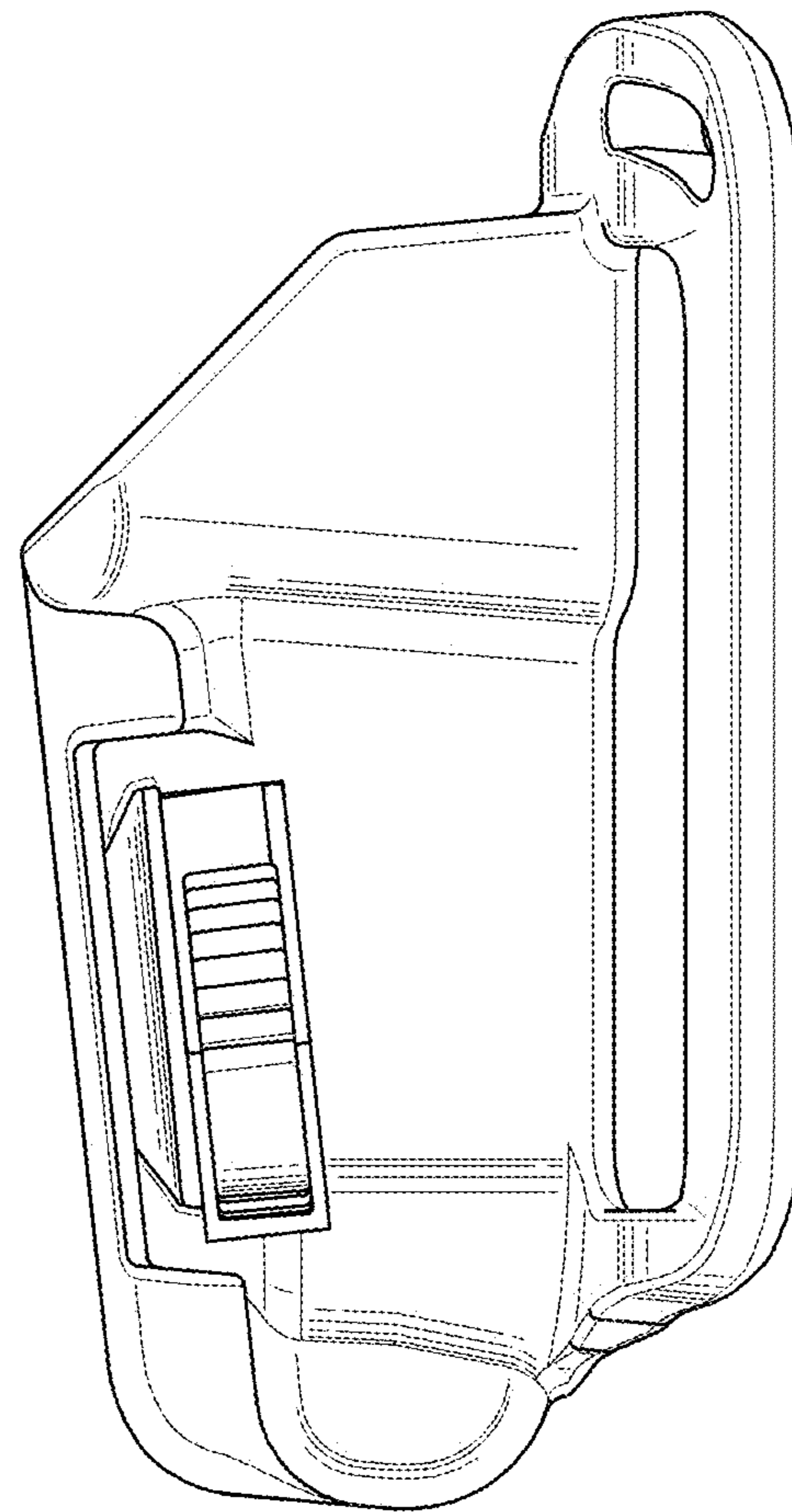


FIG. 6

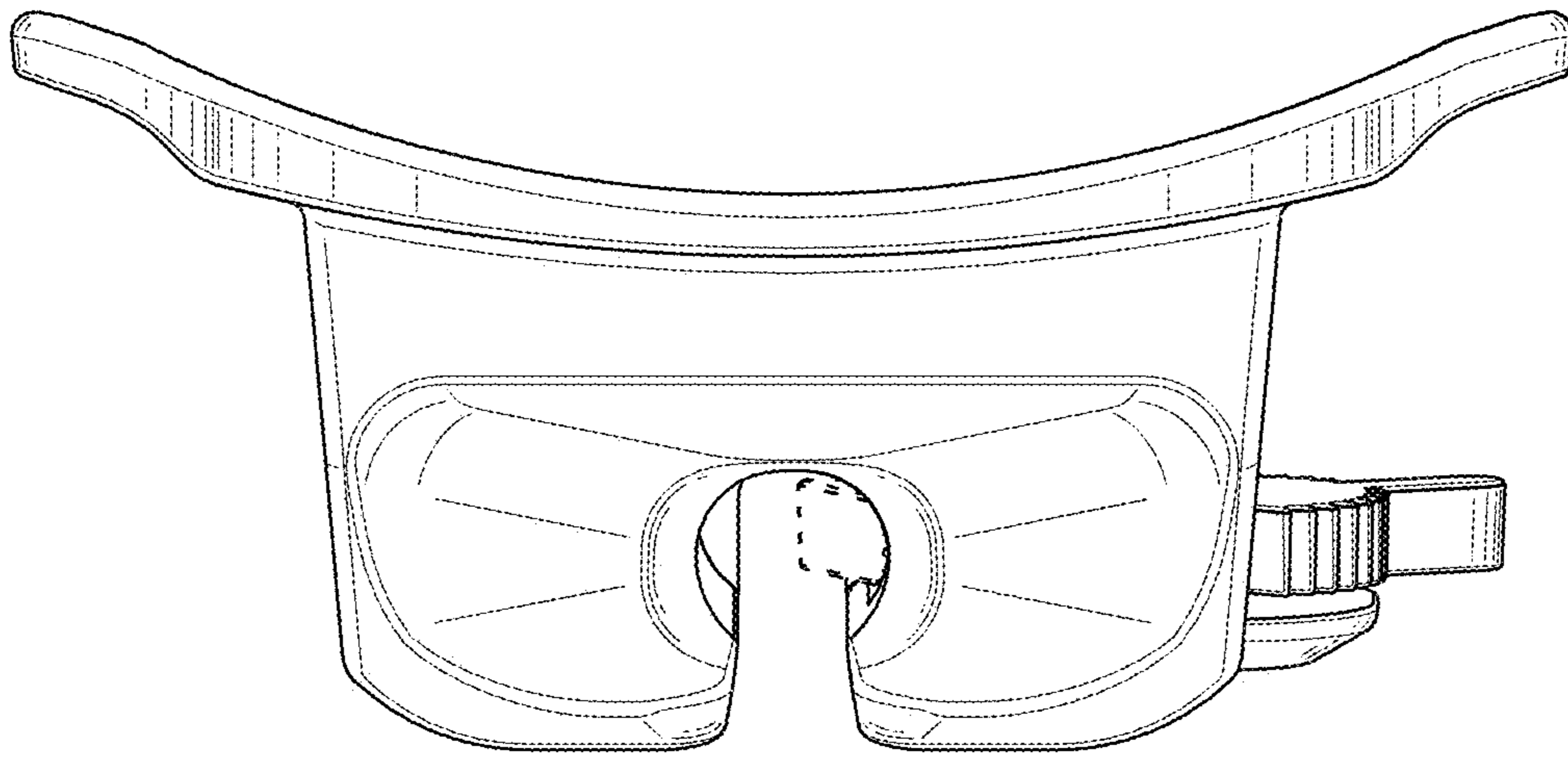


FIG. 7

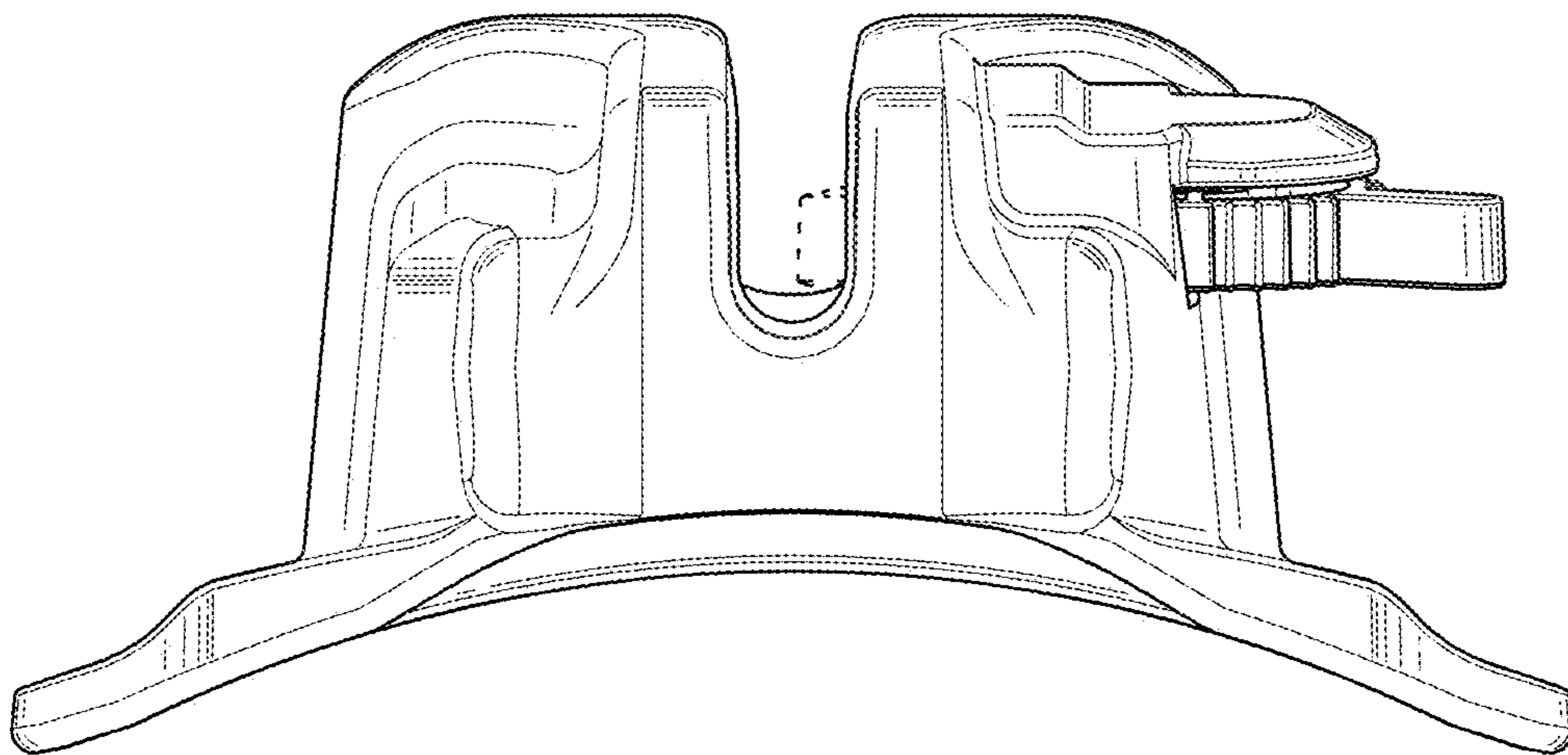


FIG. 8

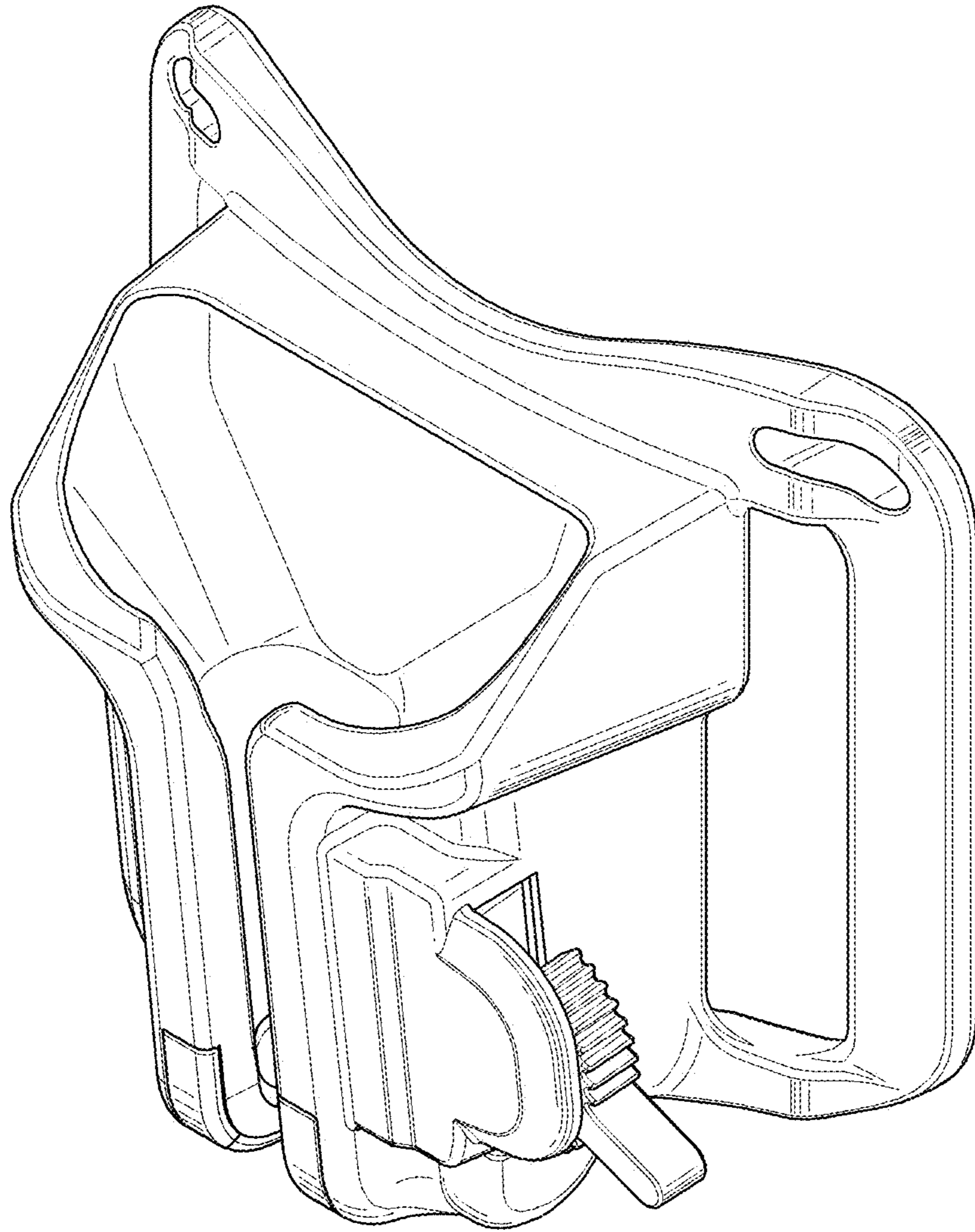


FIG. 9

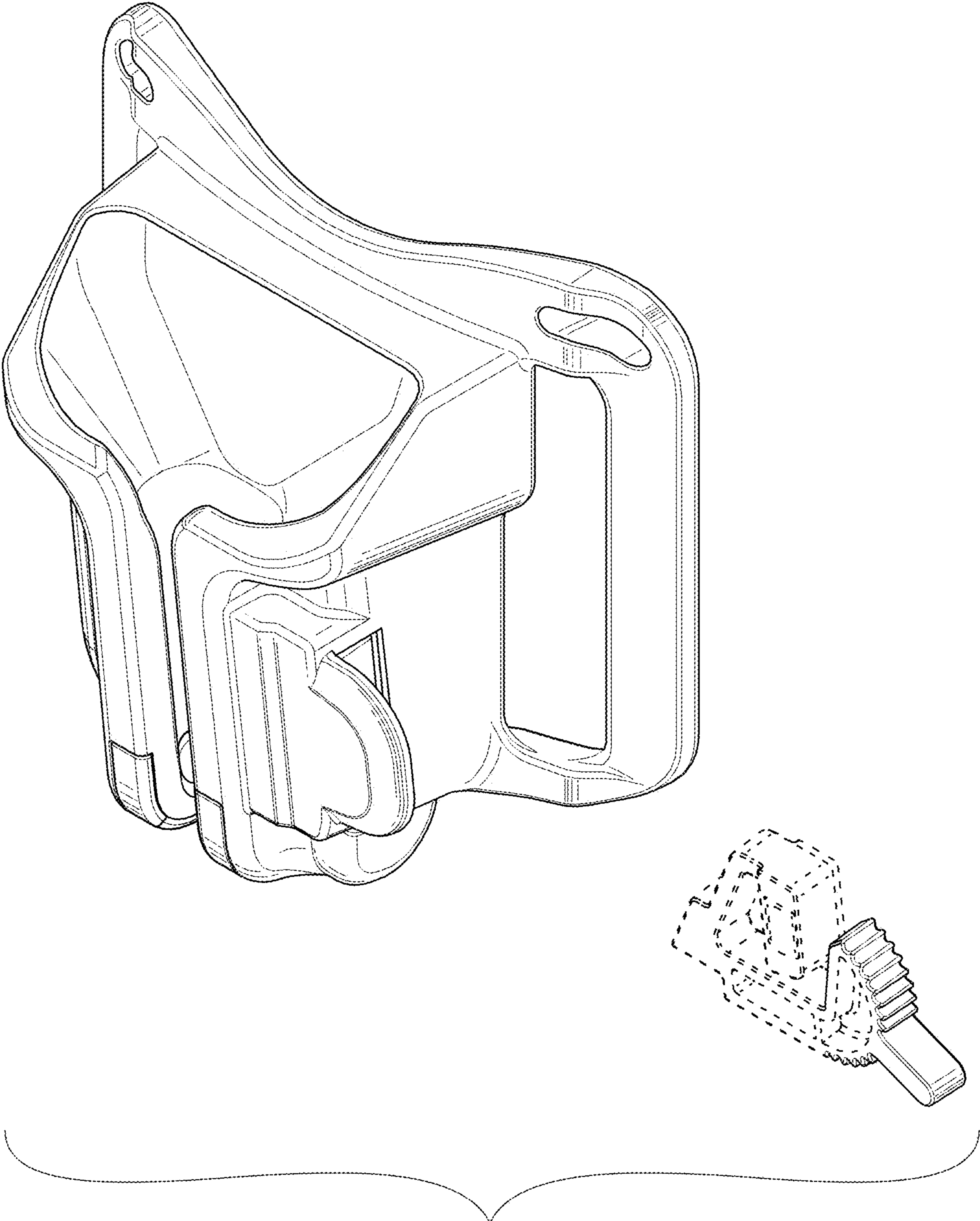


FIG. 10

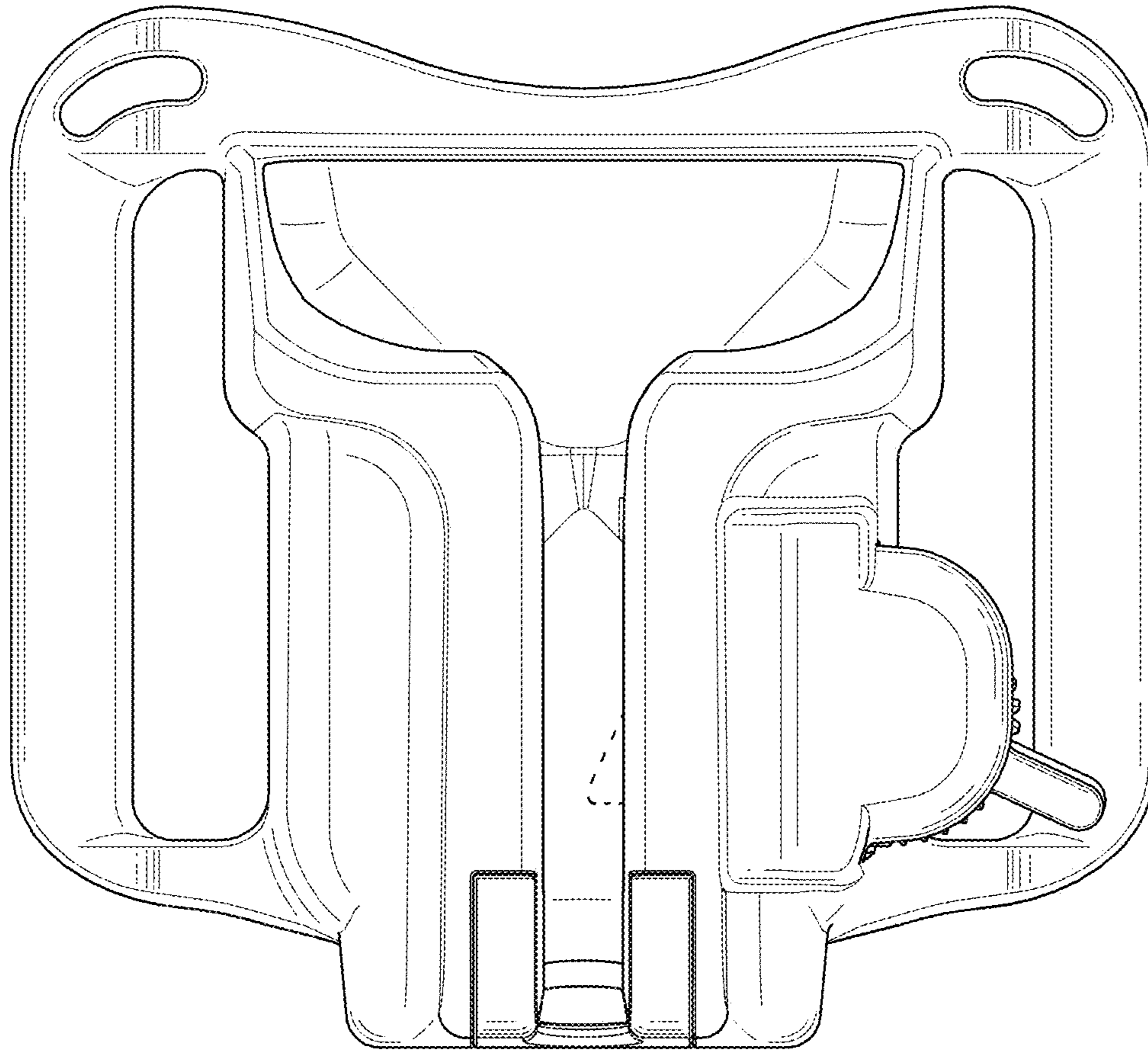


FIG. 11

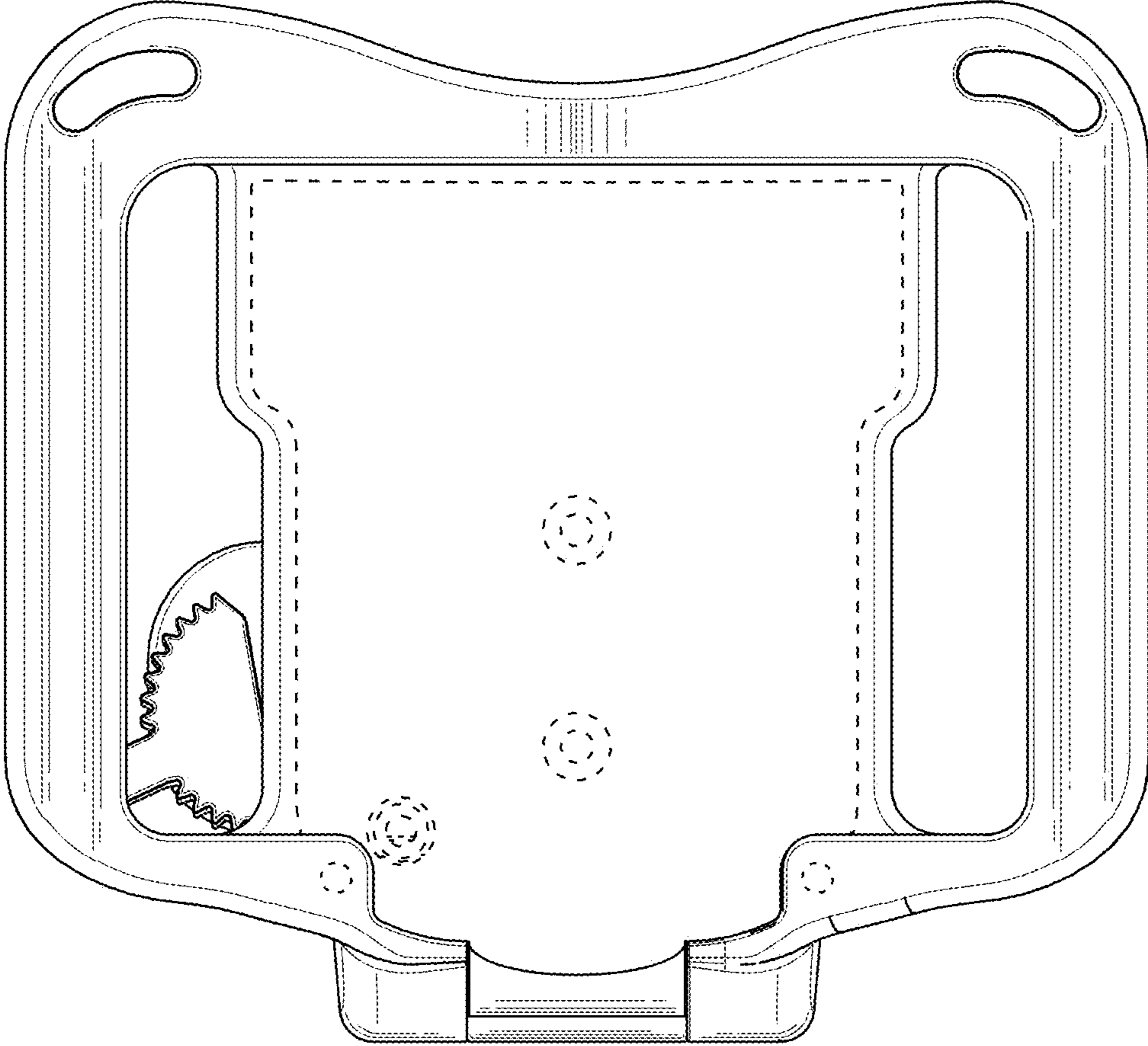


FIG. 12

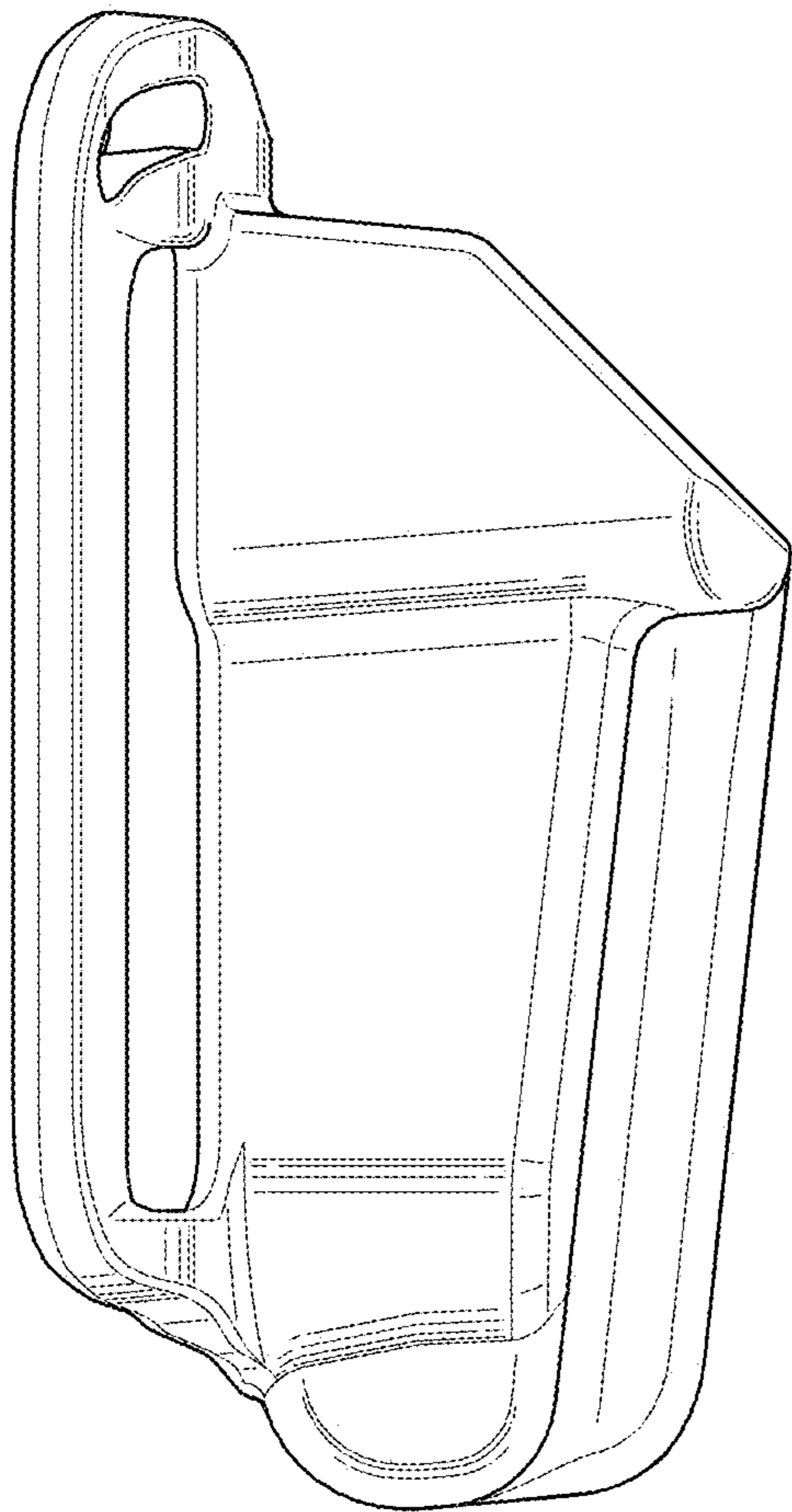


FIG. 13

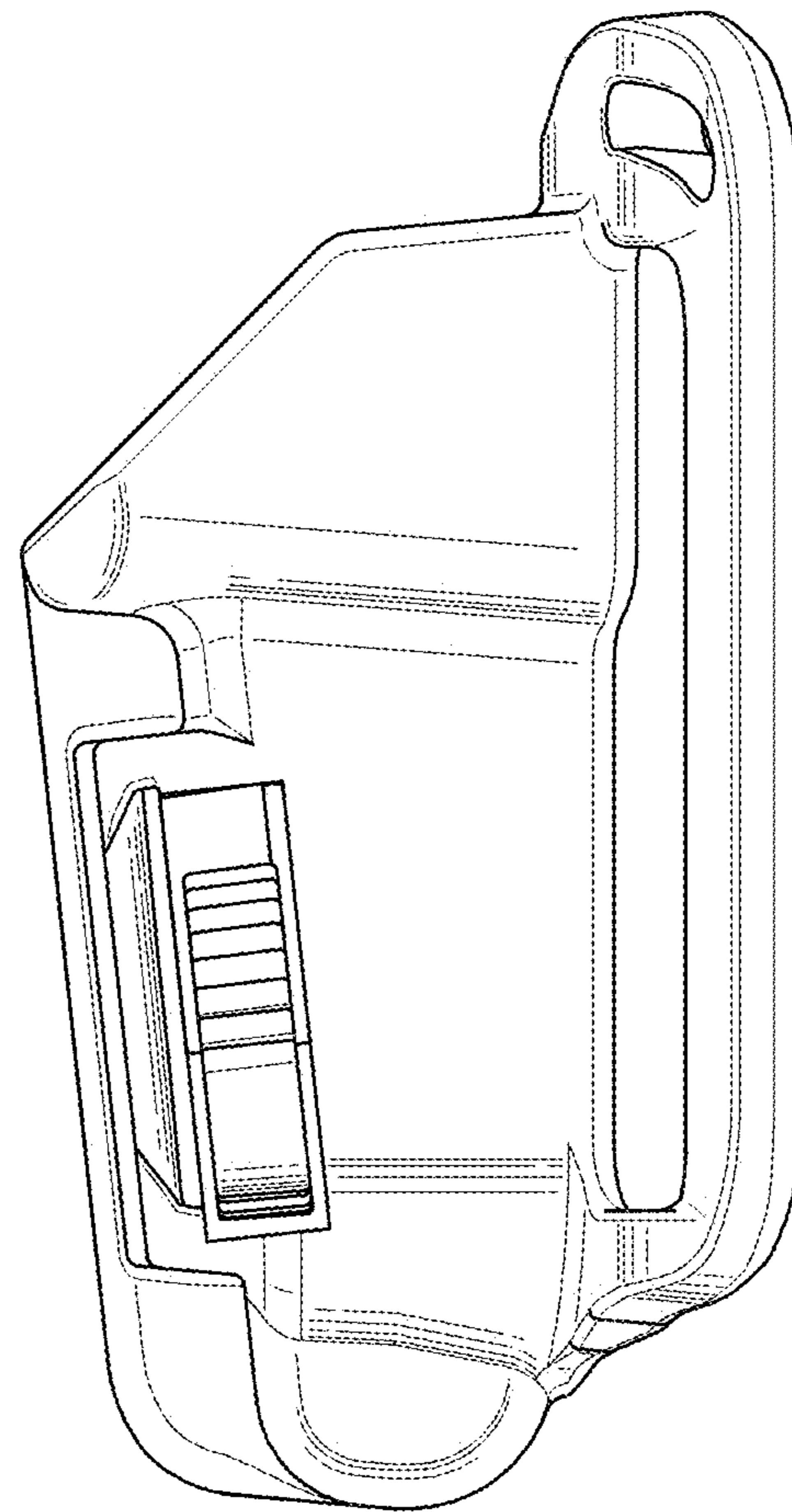


FIG. 14

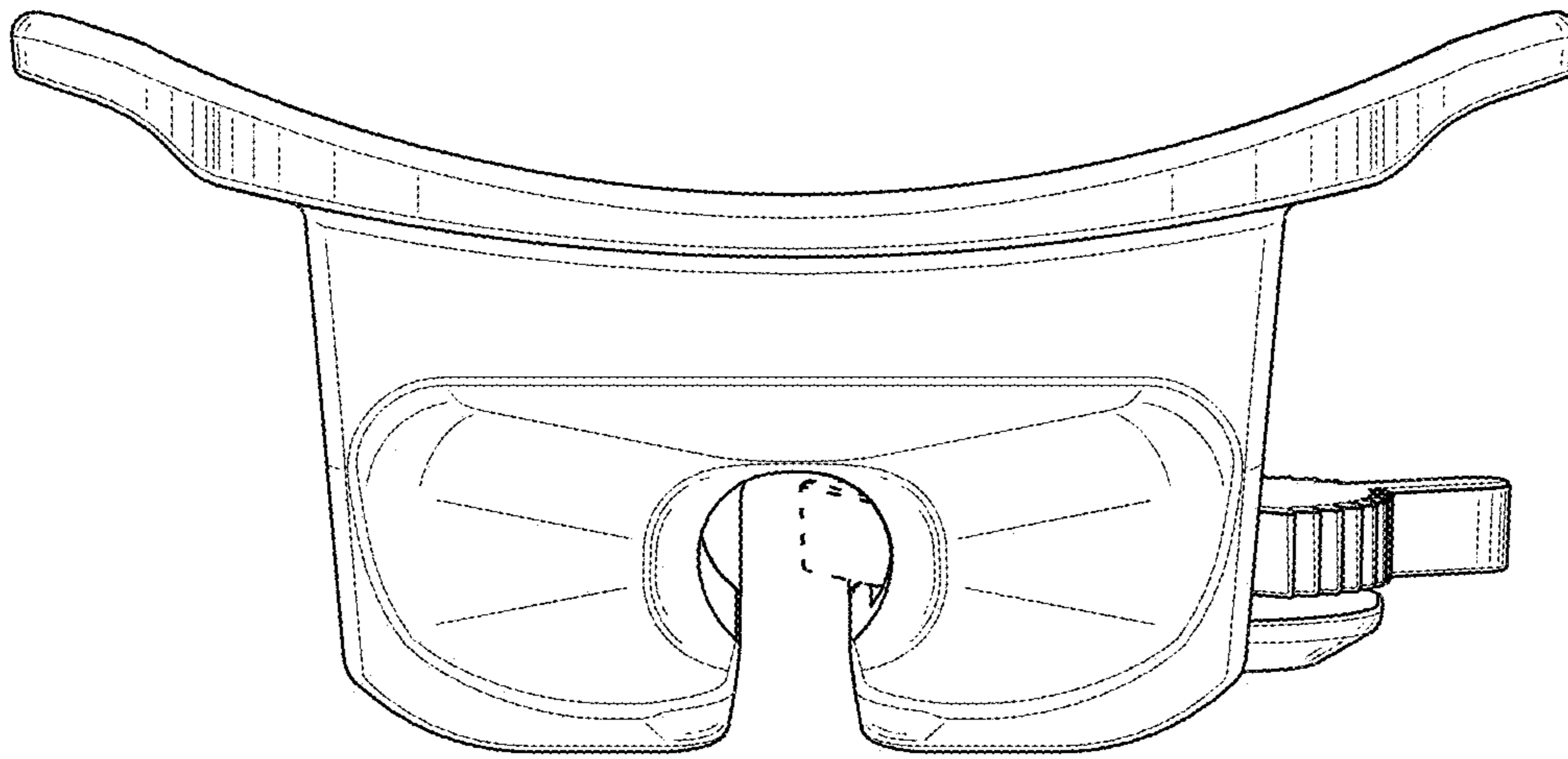


FIG. 15

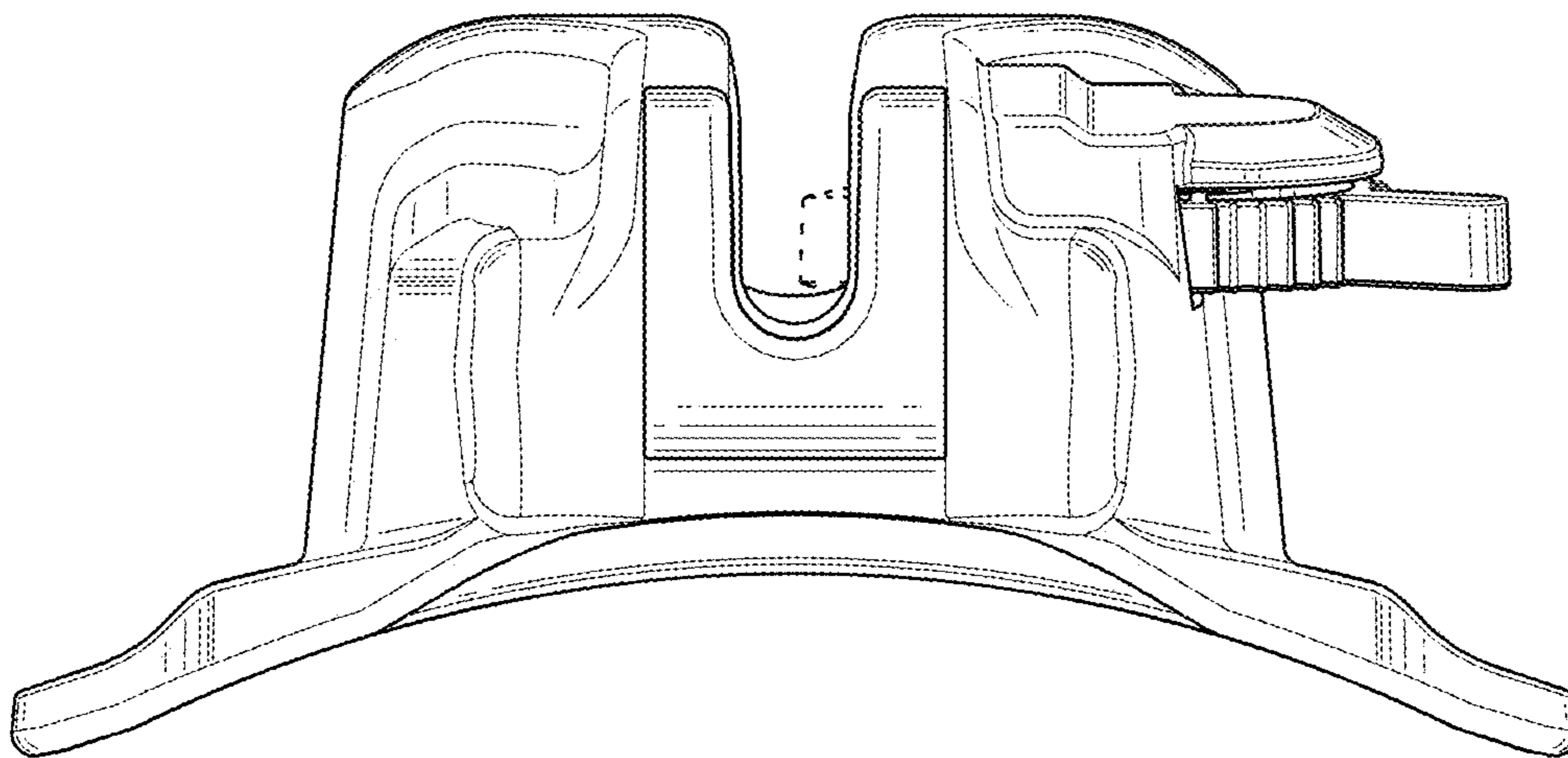


FIG. 16