



US00D877491S

(12) **United States Design Patent** (10) **Patent No.:** **US D877,491 S**
Eynav (45) **Date of Patent:** **** Mar. 10, 2020**

(54) **HOLSTER**
(71) Applicant: **SPIDER GEAR LLC**, Lansing, NY (US)
(72) Inventor: **Shai Eynav**, Ithaca, NY (US)
(73) Assignee: **SPIDER GEAR, LLC**, Lansing, NY (US)

5,201,858 A 4/1993 Otrusina
D361,462 S * 8/1995 Newham D6/567
5,533,657 A 7/1996 Rosen et al.
5,774,957 A 7/1998 Kohl et al.
6,880,794 B1 4/2005 Kahn
D585,224 S * 1/2009 Hwang D6/553
D725,405 S * 3/2015 Tsai D6/513
2007/0099469 A1 5/2007 Sorensen
2016/0198763 A1 7/2016 Adkins et al.

(**) Term: **15 Years**

(21) Appl. No.: **29/673,028**

(22) Filed: **Dec. 11, 2018**

(51) **LOC (12) Cl.** **03-01**

(52) **U.S. Cl.**
USPC **D3/215**

(58) **Field of Classification Search**
USPC D3/201, 215, 218, 220–221, 228, 222,
D3/226, 224; D16/219, 567, 553,
D16/512–513, 540, 545, 555; D6/567,
D6/553, 512, 513, 540, 545, 555;
224/219, 242, 222, 901, 267, 231, 268,
224/240; D30/101; D19/90; D7/631;
D24/134

CPC A45C 11/00; A45C 2011/002; A45F 5/02;
A45F 2200/0516; A45F 2005/027

See application file for complete search history.

(56) **References Cited**

U.S. PATENT DOCUMENTS

2,743,894 A 5/1956 Ostnas
D321,446 S * 11/1991 Liptak D6/553

OTHER PUBLICATIONS

U.S. Appl. No. 15/728,769, filed Oct. 10, 2017.

* cited by examiner

Primary Examiner — Catherine R Oliver-Garcia
(74) *Attorney, Agent, or Firm* — Donald J. Lecher

(57) **CLAIM**

The ornamental design for a holster, as shown.

DESCRIPTION

FIG. 1 is a front and side perspective view of a holster of this invention;

FIG. 2 is a front and side perspective view shown exploded;

FIG. 3 is a front elevation view of the holster;

FIG. 4 is a rear elevation view thereof;

FIG. 5 is a side elevation view thereof;

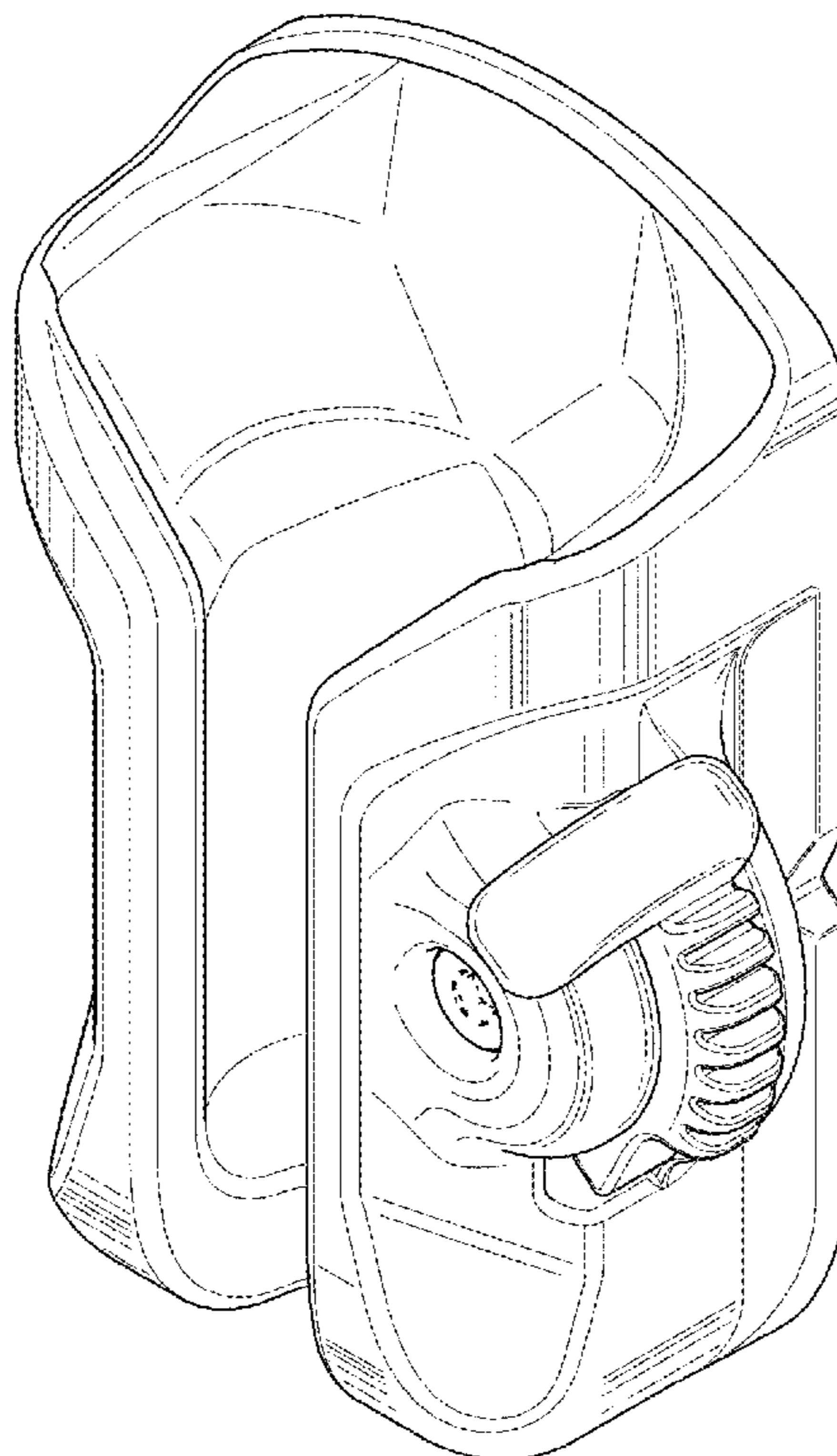
FIG. 6 is an opposite side elevation view thereof;

FIG. 7 is a top plan view thereof; and,

FIG. 8 is a bottom plan view thereof.

The broken lines are included to show of structure in the drawings that form no part of the claimed design.

1 Claim, 6 Drawing Sheets



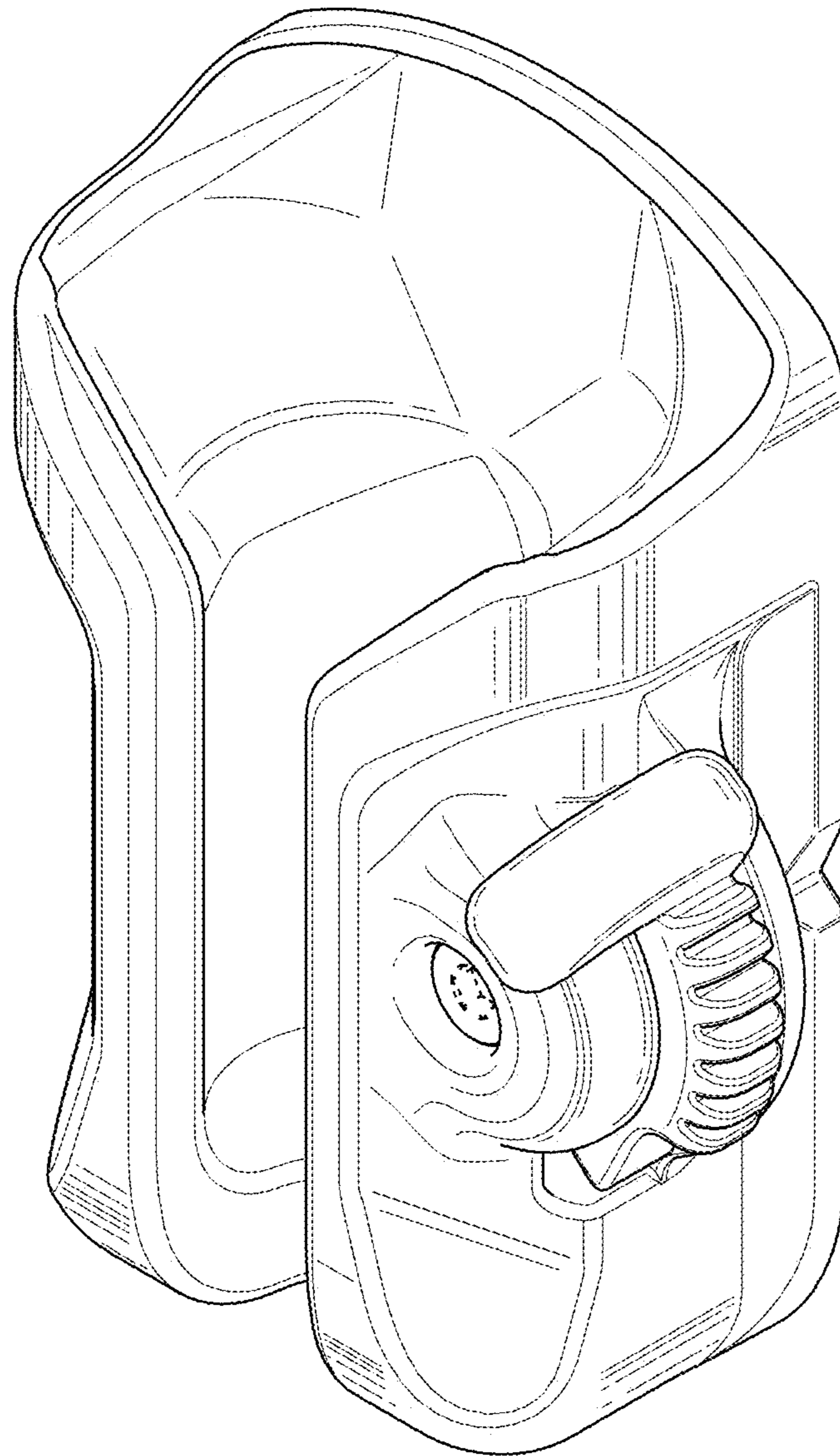


FIG. 1

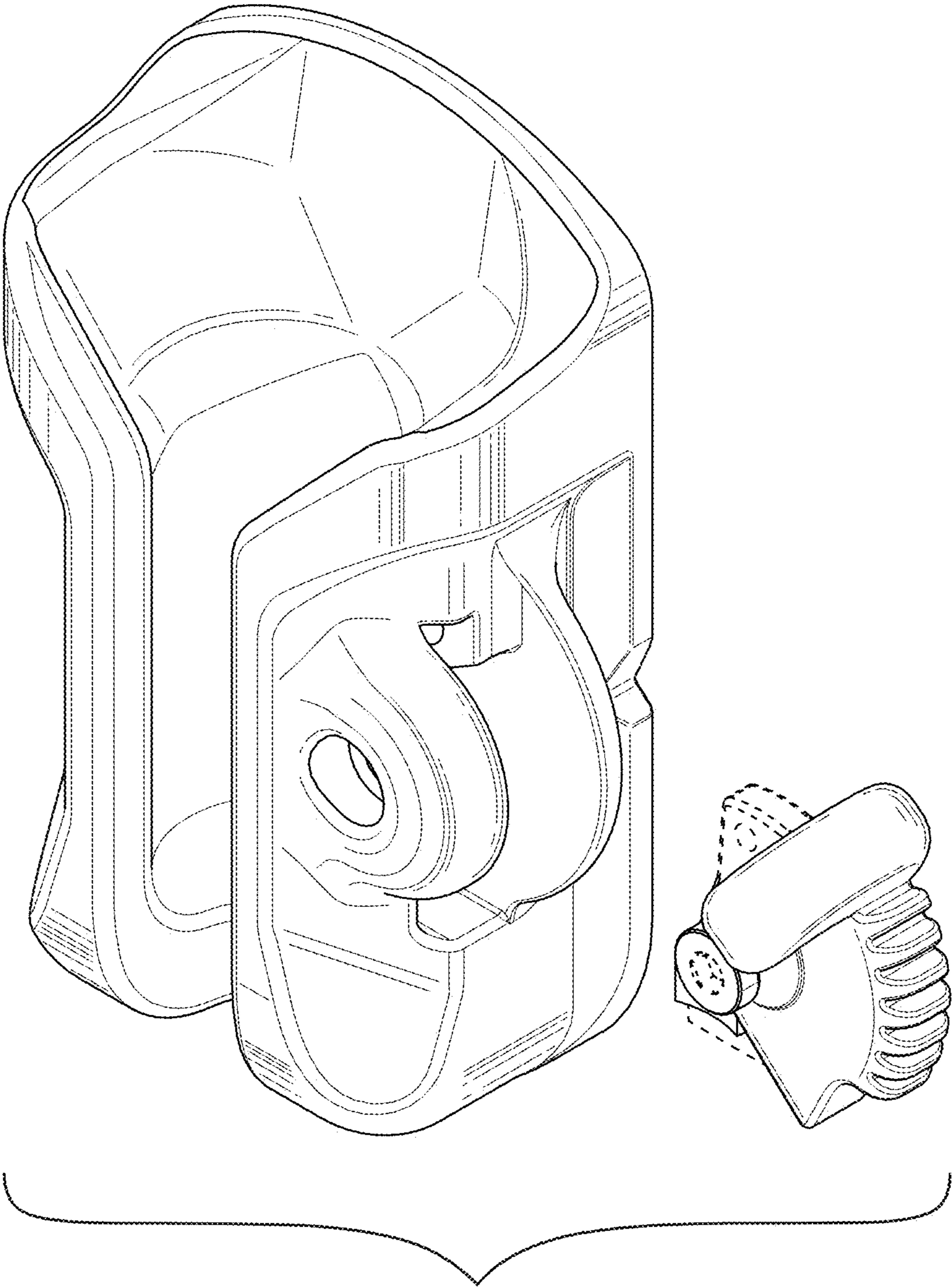


FIG. 2

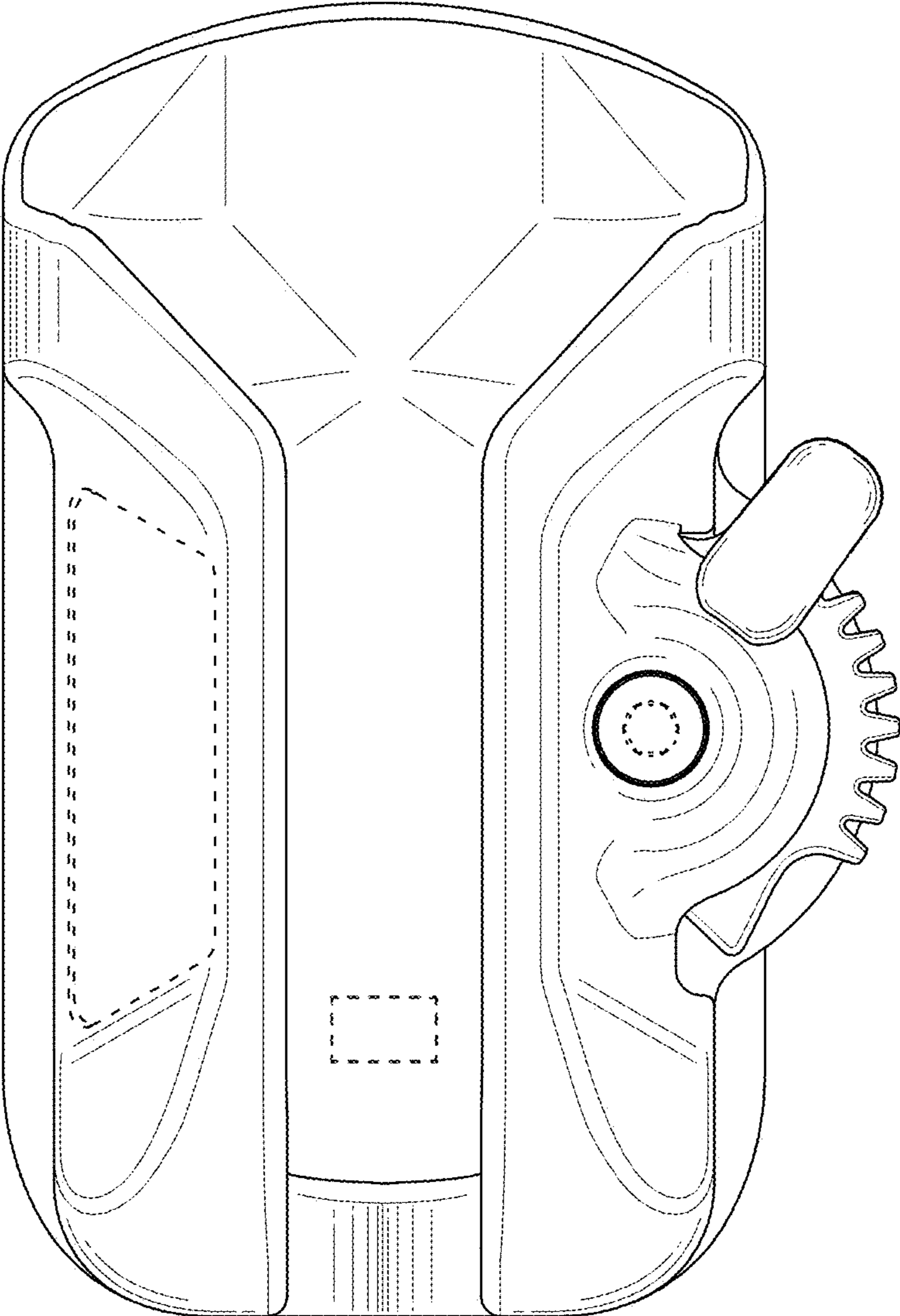


FIG. 3

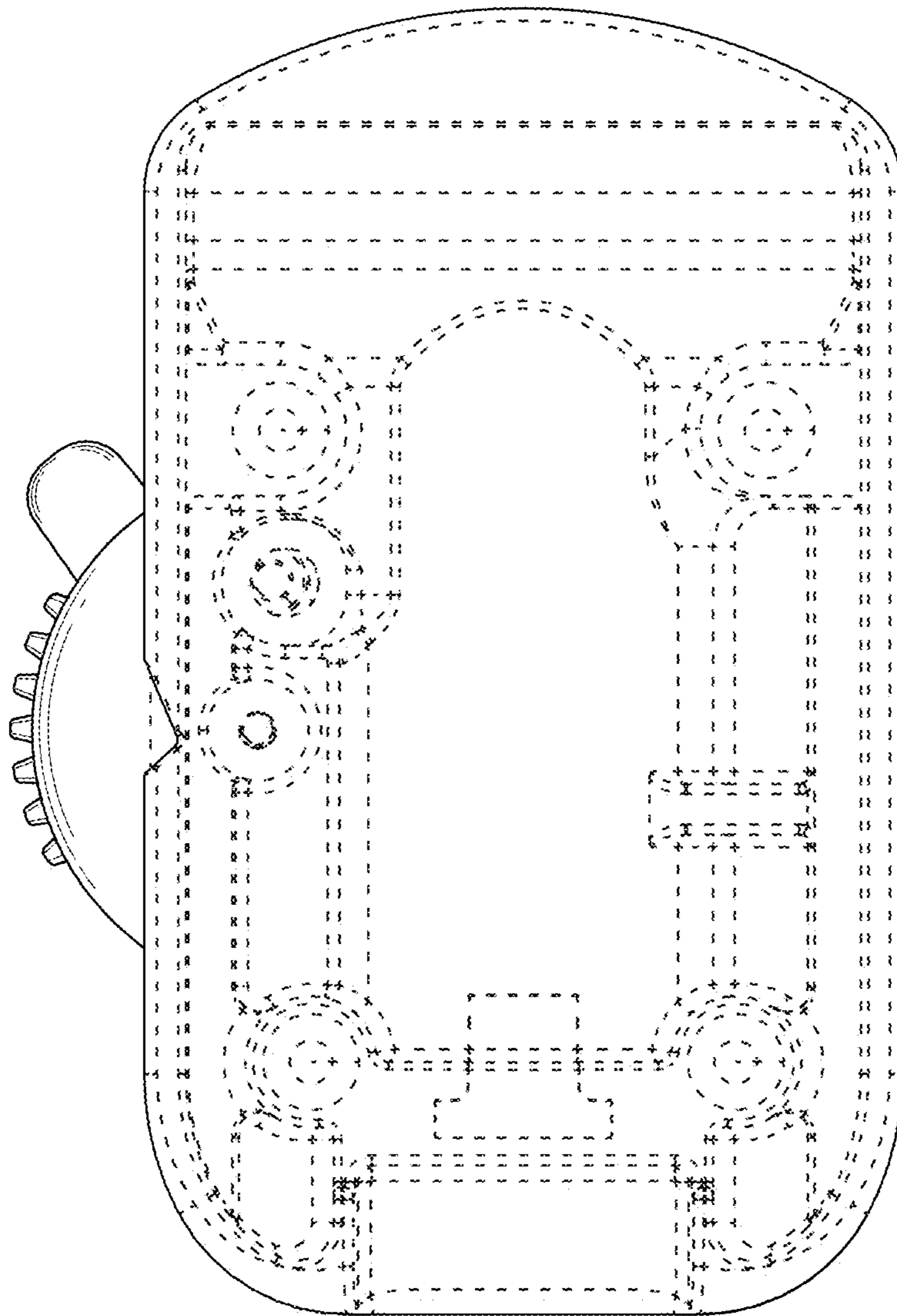


FIG. 4

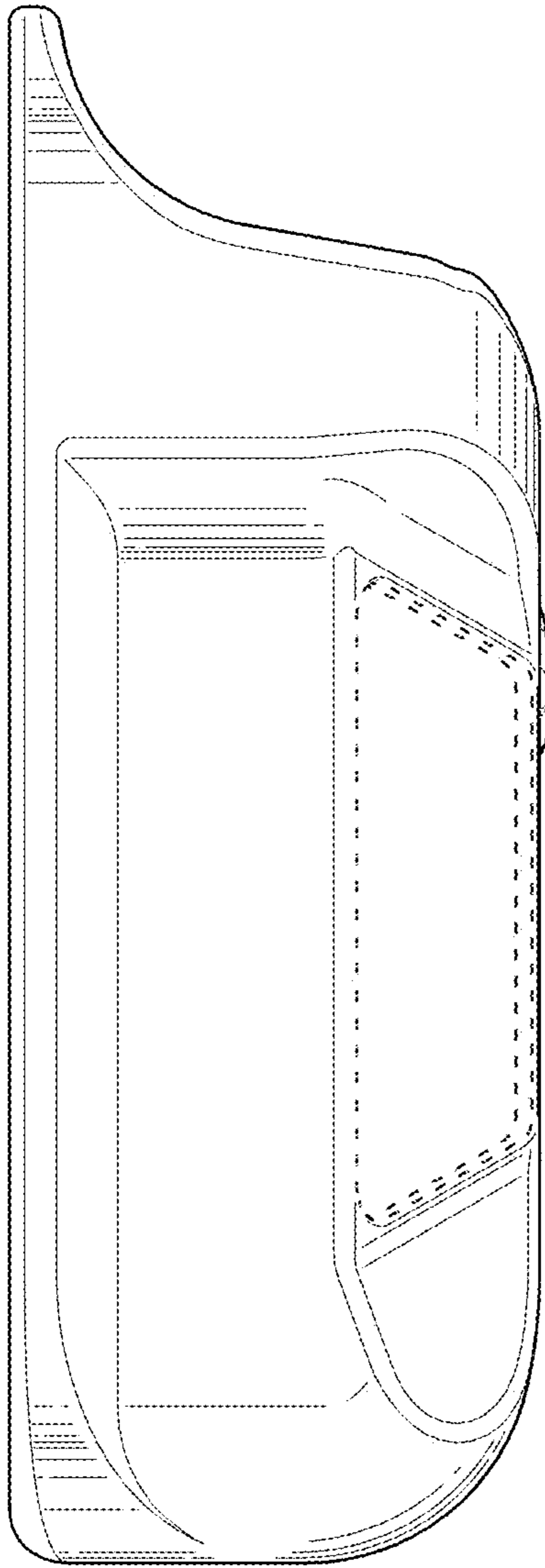


FIG. 5

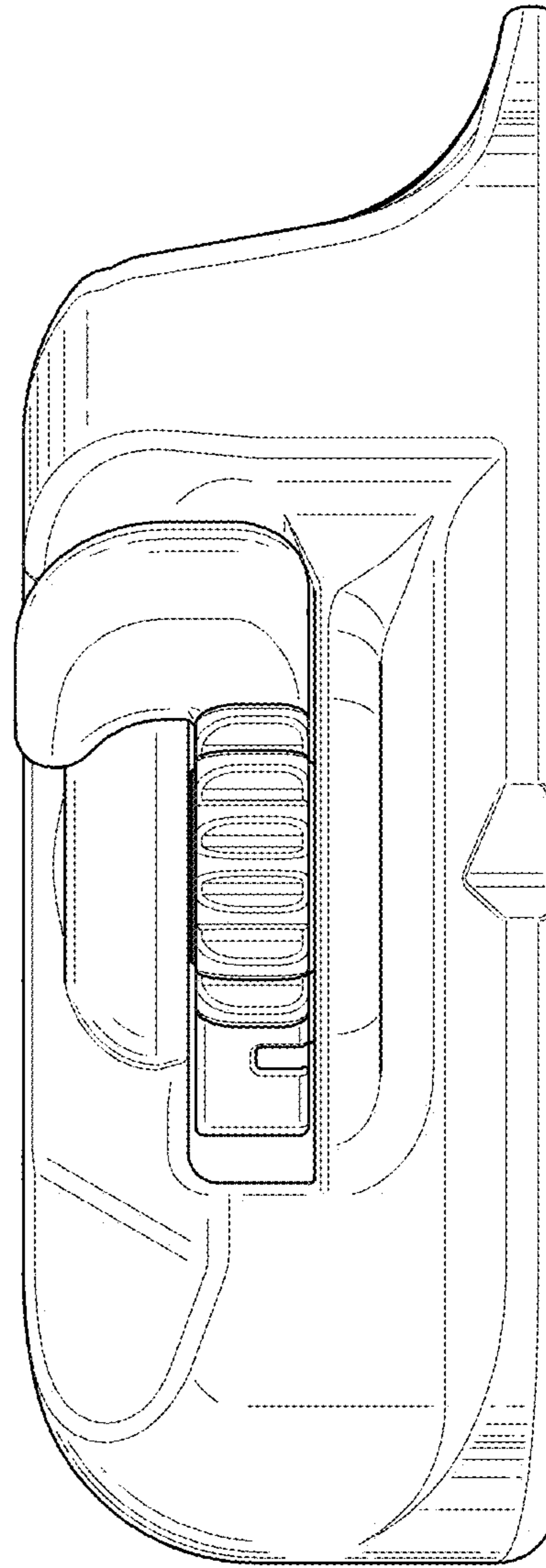


FIG. 6

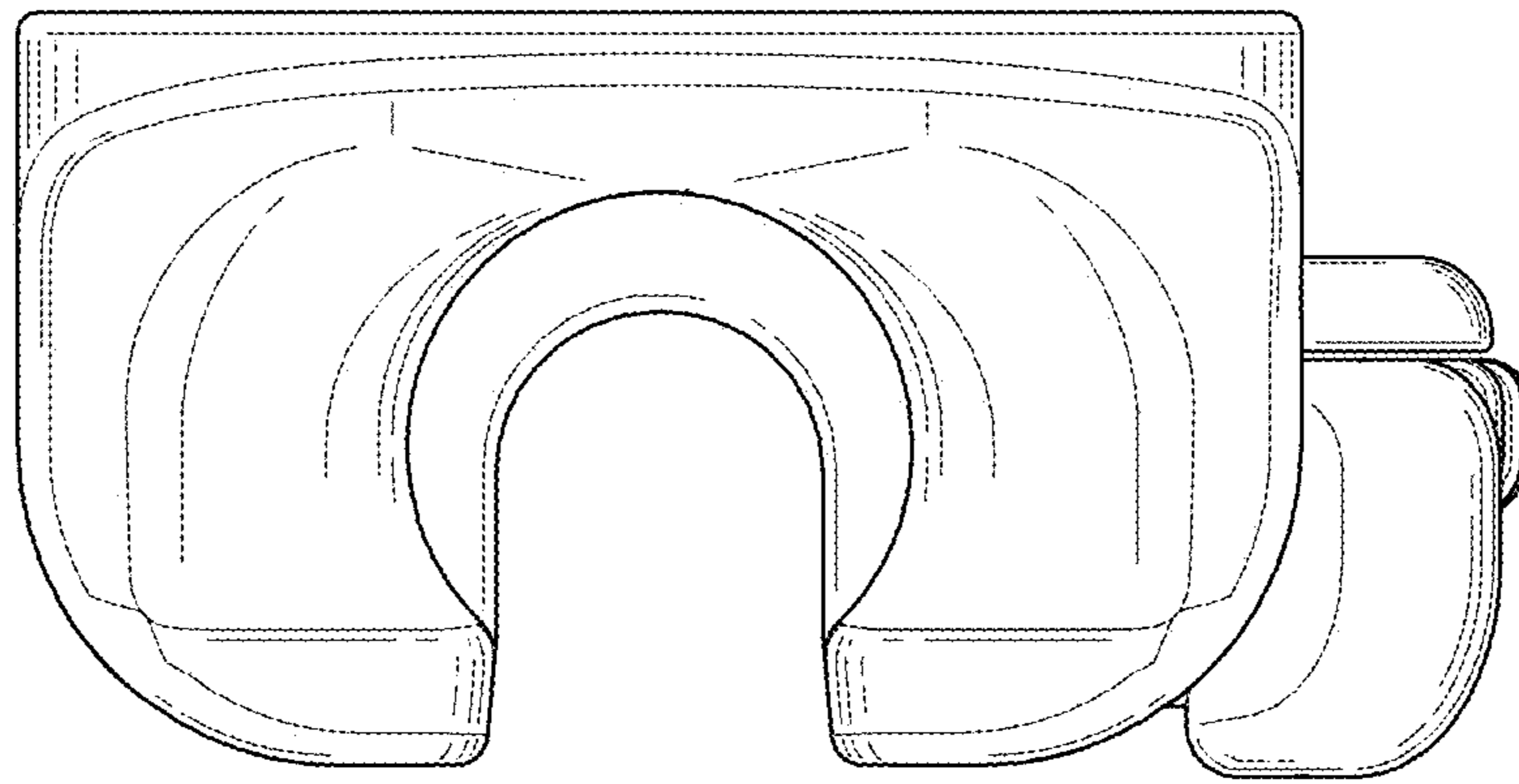


FIG. 7

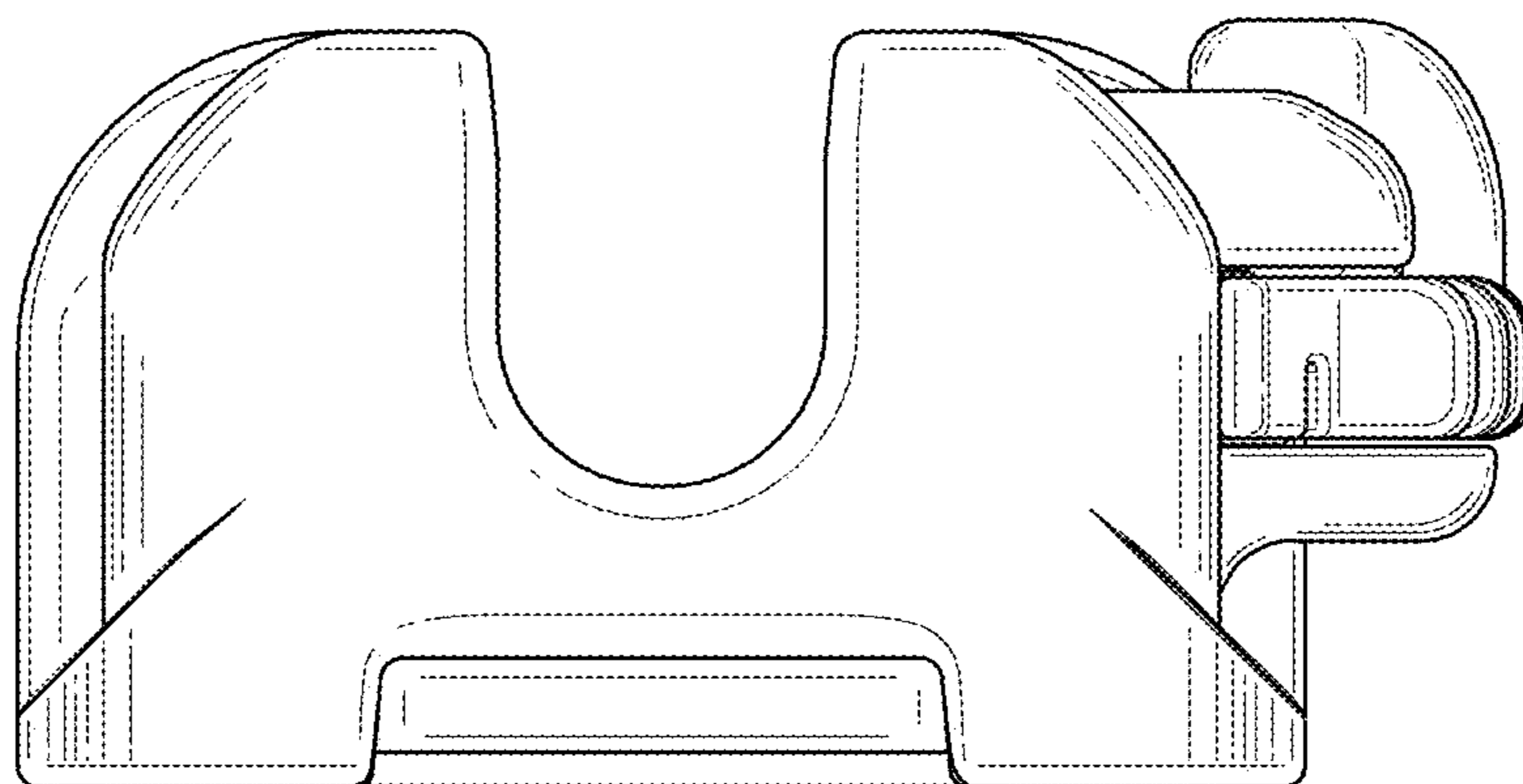


FIG. 8