



US00D877487S

(12) **United States Design Patent**
Iwasaki et al.

(10) **Patent No.:** **US D877,487 S**
(45) **Date of Patent:** **** Mar. 10, 2020**

- (54) **RETRACTABLE SEAM RIPPER**
- (71) Applicant: **CLOVER MFG. CO., LTD.**,
Osaka-shi, Osaka (JP)
- (72) Inventors: **Chihiro Iwasaki**, Osaka (JP); **Atsushi Tanaka**, Osaka (JP)
- (73) Assignee: **CLOVER MFG. CO., LTD.**, Osaka (JP)
- (**) Term: **15 Years**
- (21) Appl. No.: **29/623,733**
- (22) Filed: **Oct. 26, 2017**

(30) **Foreign Application Priority Data**

Oct. 6, 2017 (JP) 2017-022223

(51) **LOC (12) Cl.** **03-01**

(52) **U.S. Cl.**
USPC **D3/18**

(58) **Field of Classification Search**
USPC D3/18, 20, 28; 112/128, 129; 30/286,
30/287, 288, 289, 294
CPC D05B 37/04; B26B 29/02; B26B 5/005;
A43D 5/04; B43M 7/002; A61B
17/32002
See application file for complete search history.

(56) **References Cited**

U.S. PATENT DOCUMENTS

2,320,784	A *	6/1943	Livingston	A41H 31/005 30/272.1
2,370,440	A *	2/1945	Beavin	A41H 31/005 30/289
2,520,769	A *	8/1950	Lawrence	D05B 89/00 112/129
2,619,722	A *	12/1952	Ralston	B26B 27/00 30/165

D222,660	S *	11/1971	Miles et al.	D3/18
D225,700	S *	1/1973	Ament et al.	D3/18
D225,701	S *	1/1973	Ament et al.	D3/18
3,756,175	A *	9/1973	Rogers	D05B 89/00 112/128
D229,877	S *	1/1974	Ament et al.	D19/163
3,972,117	A *	8/1976	Fogg	A41H 31/005 30/287
4,175,498	A *	11/1979	Walters	D05B 89/00 112/129
4,510,688	A *	4/1985	White	A41H 31/005 30/294
D282,590	S *	2/1986	Ramik	D28/20
D296,042	S *	6/1988	Lee	D3/18
D351,059	S *	10/1994	Kahlcke	D3/18
D382,702	S *	8/1997	Matuo	D3/28

(Continued)

Primary Examiner — Steven J Cxyz

(74) *Attorney, Agent, or Firm* — Hamre, Schumann,
Mueller & Larson, P.C.

(57) **CLAIM**

The ornamental design for a retractable seam ripper, as shown and described.

DESCRIPTION

FIG. 1 is a perspective view of a retractable seam ripper according to our design with a ripping head and shaft extended from a housing handle;

FIG. 2 is a front elevational view of the same;

FIG. 3 is a rear elevational view of the same;

FIG. 4 is a top plan view of the same;

FIG. 5 is a bottom view of the same;

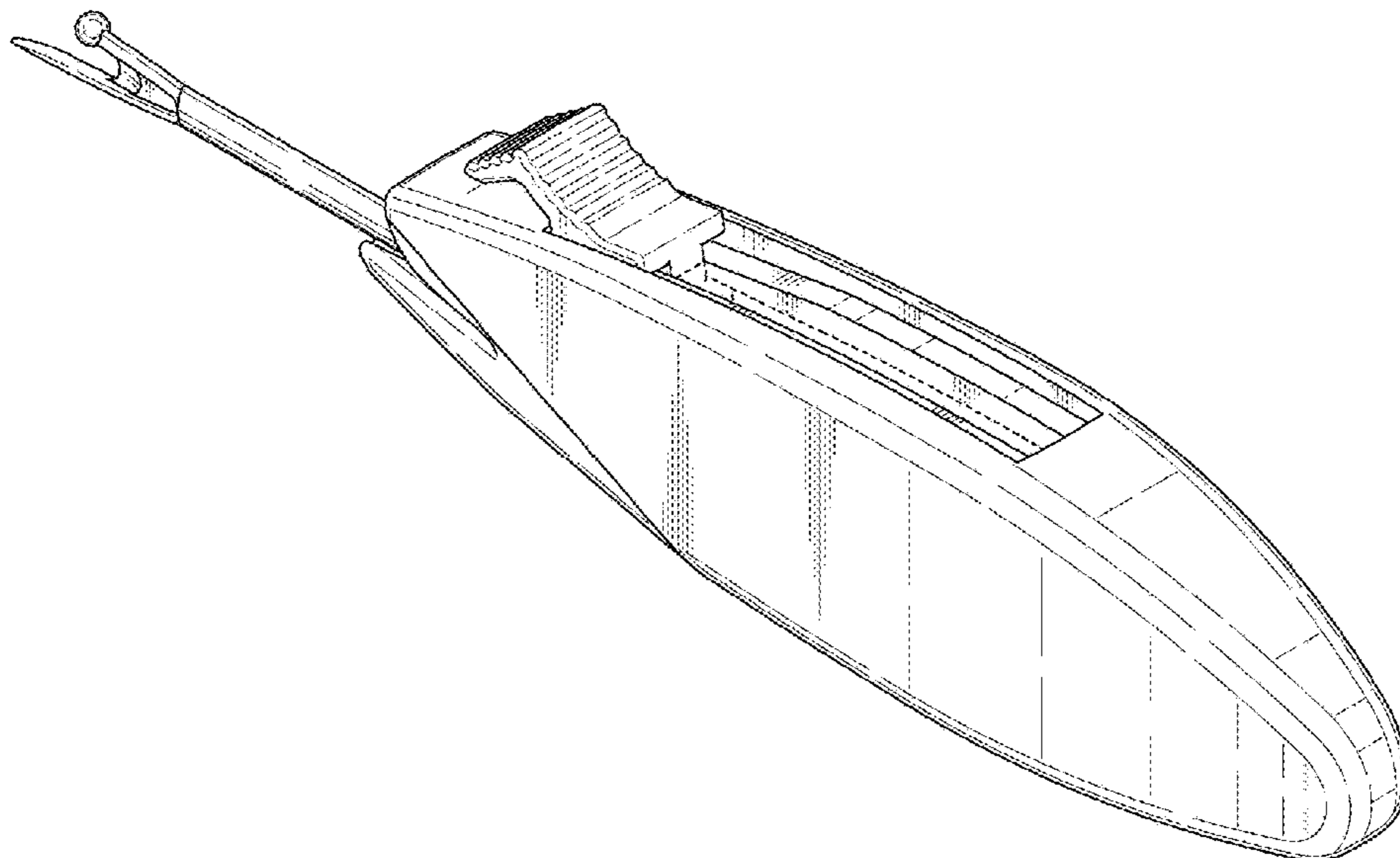
FIG. 6 is a left side elevational view of the same;

FIG. 7 is a right side elevational view of the same;

FIG. 8 is a perspective view of the retractable seam ripper showing the ripping head and shaft retracted into the housing handle; and,

FIG. 9 is a front elevational view of the retracted seam ripper.

1 Claim, 8 Drawing Sheets



(56)

References Cited

U.S. PATENT DOCUMENTS

6,240,645	B1 *	6/2001	Ozeki	A41H 31/005
					30/240
D490,605	S *	6/2004	Earle	D3/28
D548,453	S *	8/2007	Mihara	D3/28
D701,039	S *	3/2014	Sasur	D3/18
D701,040	S *	3/2014	Hatcher	D3/18
9,402,644	B2 *	8/2016	Racenet	A61B 17/320016
D792,705	S *	7/2017	Farnum	D3/18
D820,582	S *	6/2018	Farnum	D3/18
10,092,052	B2 *	10/2018	Farnum	A41H 31/005

* cited by examiner

Fig. 1

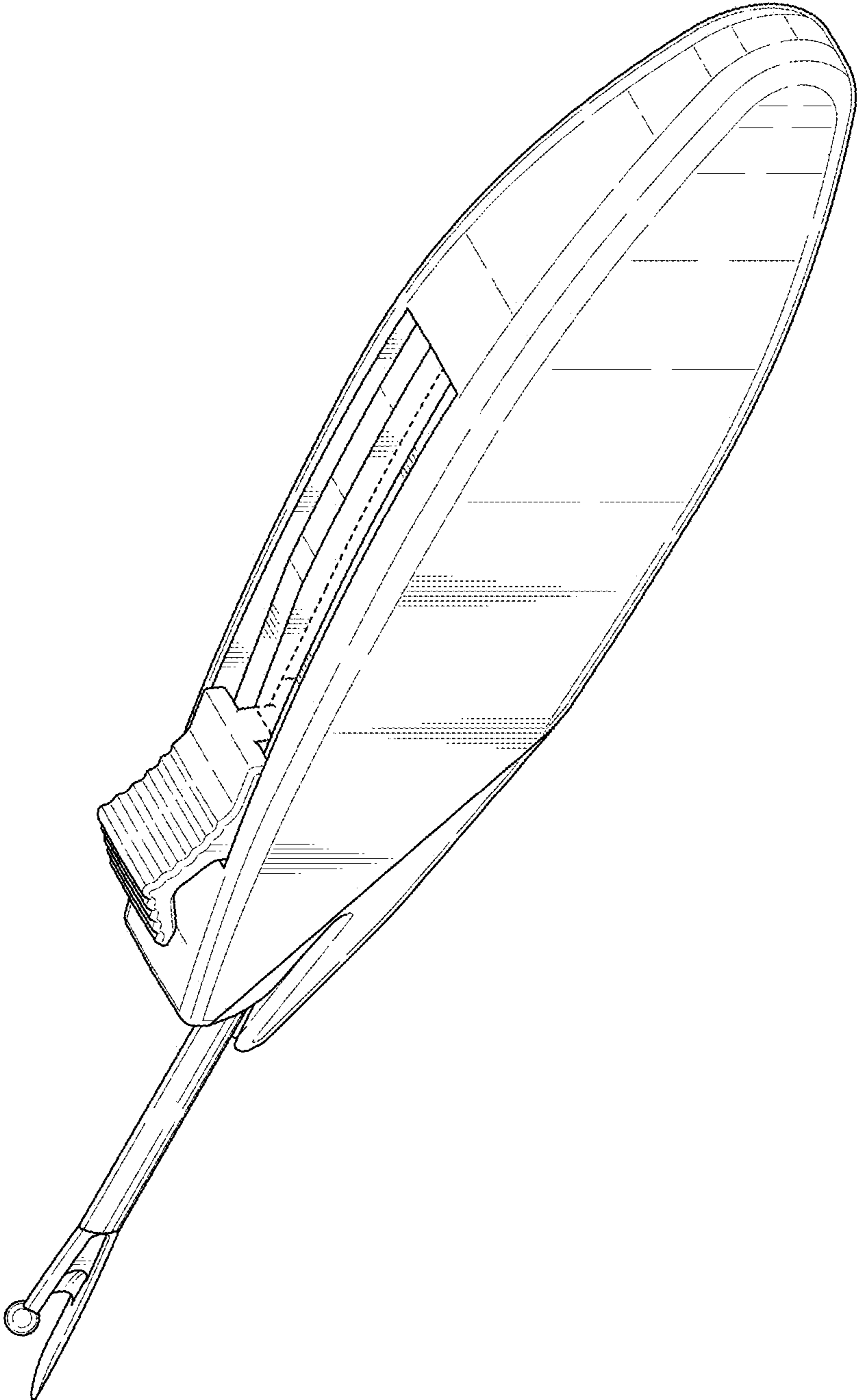


Fig. 2

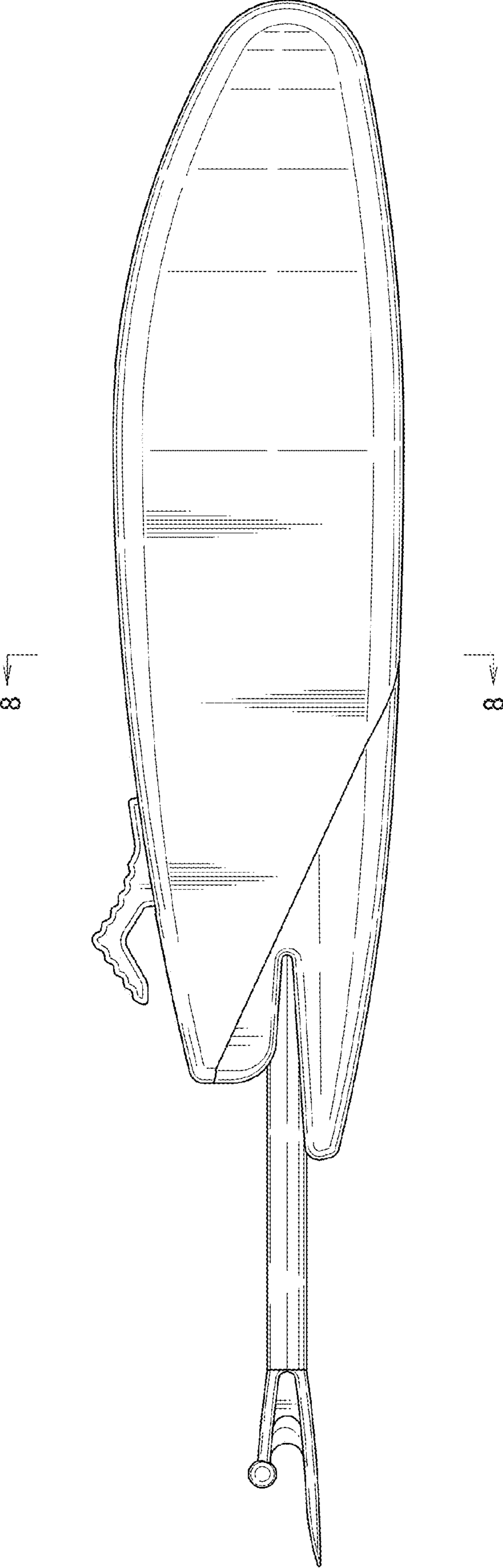


Fig. 3

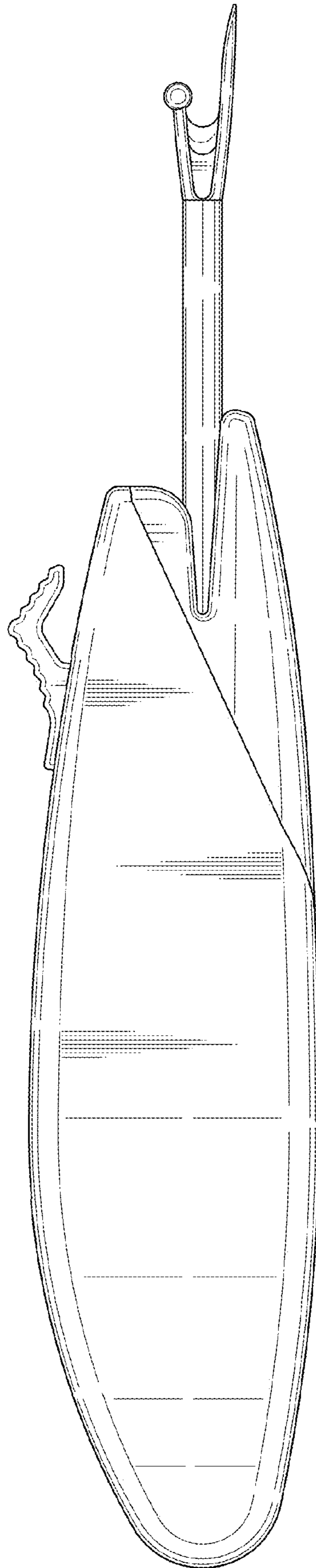


Fig. 4

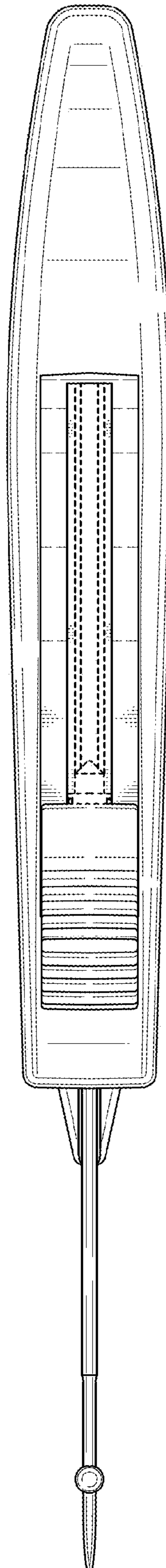


Fig. 5

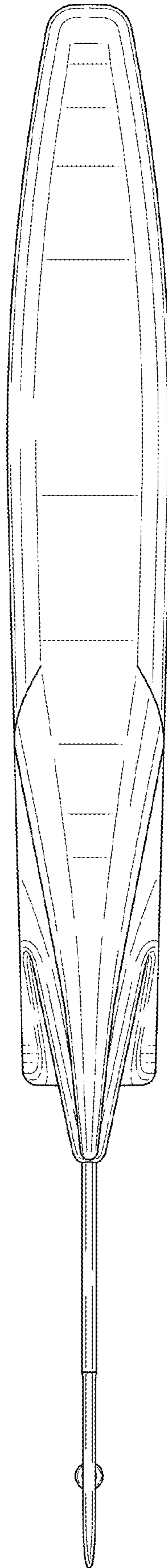


Fig. 7

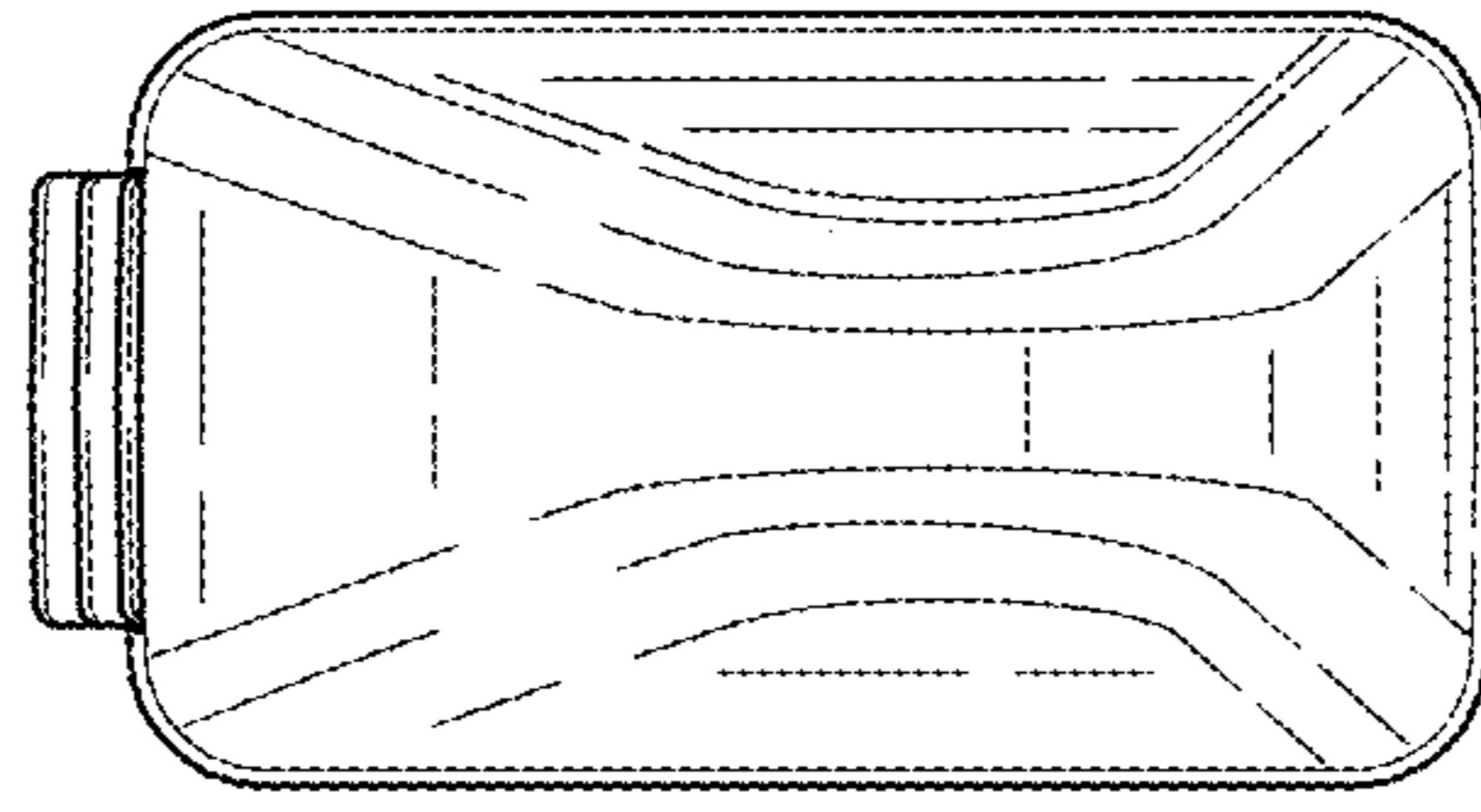


Fig. 6

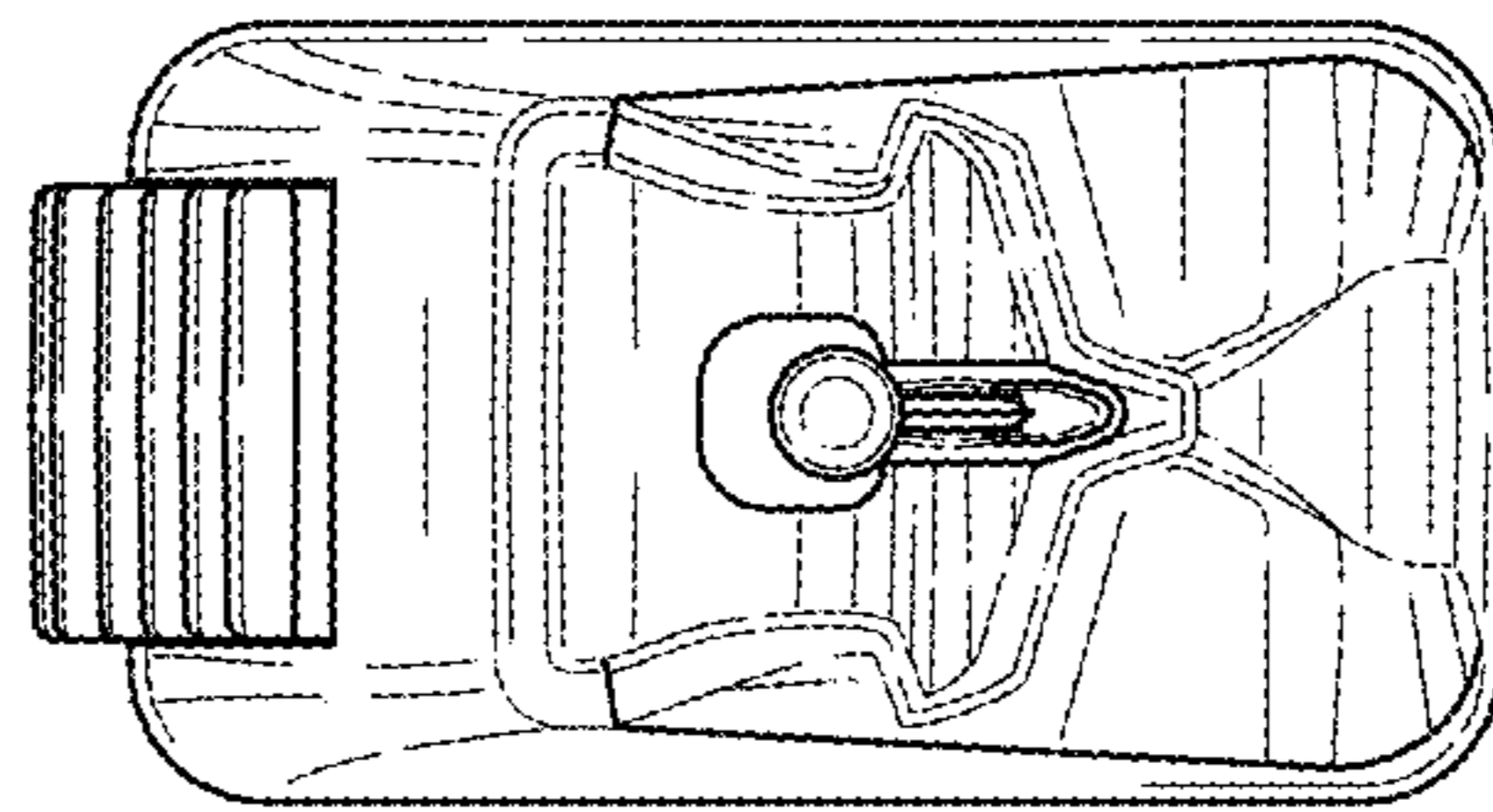


Fig. 8

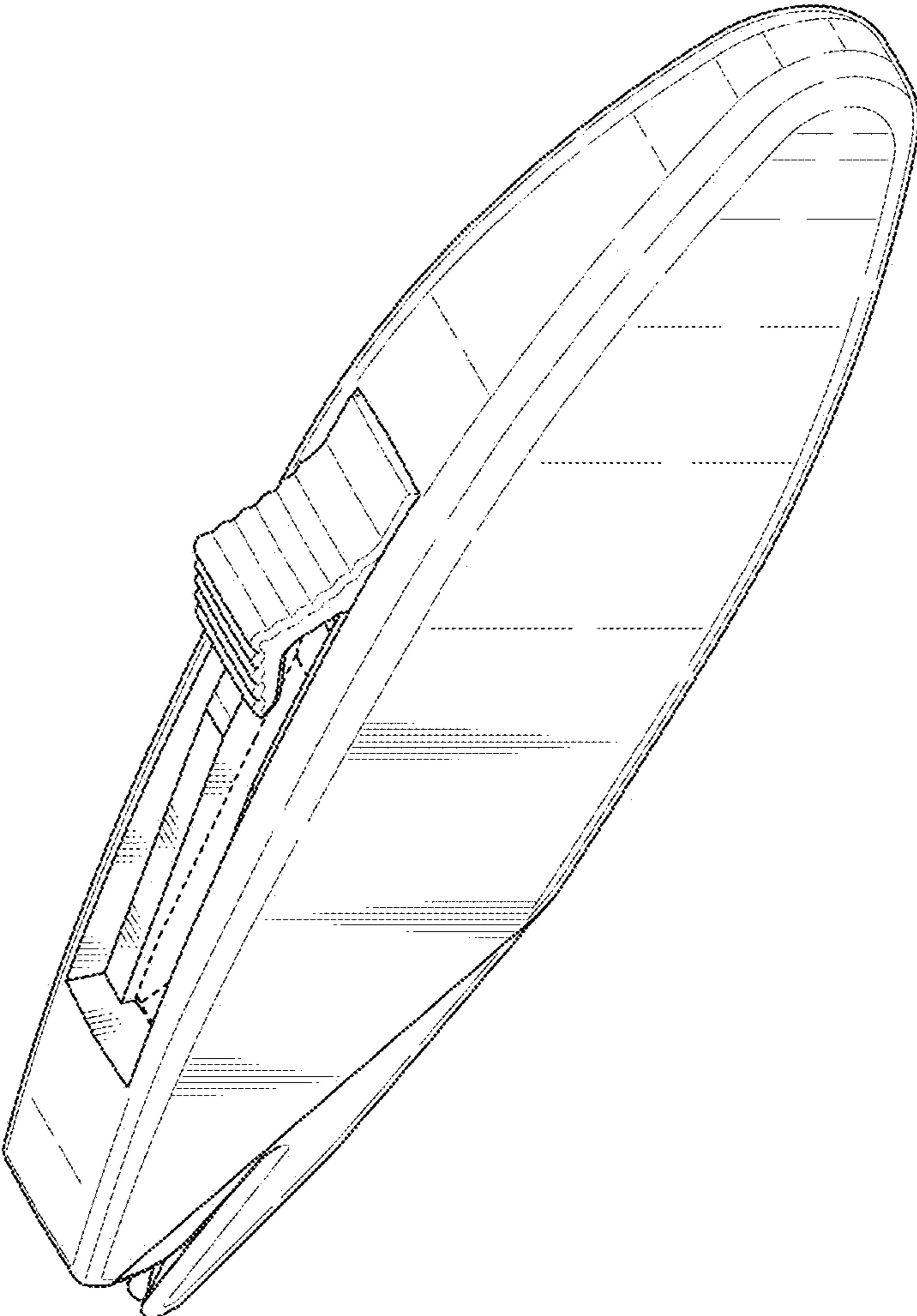


Fig. 9

