



US00D877486S

(12) **United States Design Patent**  
**Chen**

(10) **Patent No.:** **US D877,486 S**

(45) **Date of Patent:** **\*\* Mar. 10, 2020**

- (54) **UMBRELLA ANCHOR**
- (71) Applicant: **AMMSUN INDUSTRIAL GROUP LTD.,** Mongkok (HK)
- (72) Inventor: **Hong Chen,** Mongkok (HK)
- (73) Assignee: **AMMSUN INDUSTRIAL GROUP, LTD.,** Mongkok (HK)

- 5,488,798 A \* 2/1996 Beachel ..... A01K 97/10  
248/530
- 5,662,304 A \* 9/1997 McDaniel ..... E04H 12/2223  
248/499
- D394,544 S \* 5/1998 Tropiano ..... D3/10
- D398,363 S \* 9/1998 LoBue ..... D21/840
- D416,401 S \* 11/1999 Taylor ..... D3/10
- D421,532 S \* 3/2000 Koroncai ..... D8/388
- 6,032,880 A \* 3/2000 Verrills ..... E04H 12/2223  
248/156

(Continued)

(\*\*) Term: **15 Years**

*Primary Examiner* — Steven J Czyz

(21) Appl. No.: **29/677,661**

(74) *Attorney, Agent, or Firm* — Law Offices of Steven W. Weinrieb

(22) Filed: **Jan. 23, 2019**

(57) **CLAIM**

(51) **LOC (12) Cl.** ..... **03-03**

The ornamental design for an umbrella anchor, as shown and described.

(52) **U.S. Cl.**

USPC ..... **D3/10**

(58) **Field of Classification Search**

USPC ..... D3/5, 6, 10, 17; D8/387, 388; D11/181, D11/182

CPC ..... A45B 25/00; A45B 2023/0012; A45B 2200/109; A45B 11/00; E04H 12/22; E04H 12/2215; E04H 17/08

See application file for complete search history.

**DESCRIPTION**

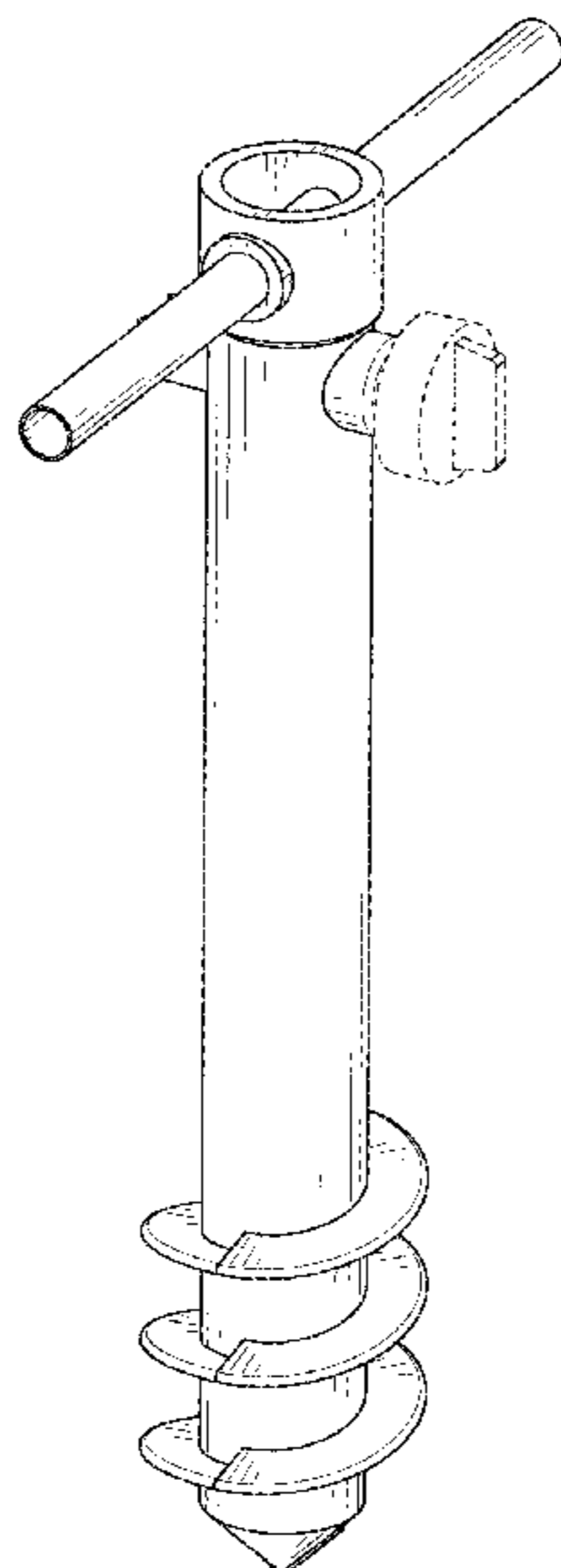
FIG. 1 is a front, left side, top perspective view of an umbrella anchor showing my new design;  
 FIG. 2 is a rear, right side, bottom perspective view thereof;  
 FIG. 3 is a front elevational view;  
 FIG. 4 is a rear elevational view thereof;  
 FIG. 5 is a left side elevational view thereof;  
 FIG. 6 is a right side elevational view thereof;  
 FIG. 7 is a top plan view thereof;  
 FIG. 8 is a bottom plan view thereof; and  
 FIG. 9 is a front, left side, top perspective view thereof showing the rotational bar, used to insert the anchor, in a stored position;  
 FIG. 10 is front, left side, top perspective view thereof showing the anchor supporting an umbrella shaft; and,  
 FIG. 11 is front, left side, top perspective view thereof showing the anchor supporting an umbrella shaft and the rotational bar in a stored position.  
 The broken lines depict portions of the article and environment that forms no part of the claimed design.

(56) **References Cited**

**U.S. PATENT DOCUMENTS**

- 2,643,843 A \* 6/1953 Brown ..... E04H 12/2223  
248/156
- D341,831 S \* 11/1993 Mozdzanowski ..... D14/168
- D347,948 S \* 6/1994 McKnight ..... D3/10
- 5,358,209 A \* 10/1994 Ward ..... E04H 12/2223  
248/530
- 5,396,916 A \* 3/1995 Boissonnault ..... A45B 7/005  
135/16
- D363,616 S \* 10/1995 Allen ..... D3/10
- 5,454,435 A \* 10/1995 Reinhardt ..... E21B 11/005  
175/19
- 5,457,918 A \* 10/1995 Plourde ..... E04H 12/2223  
248/545

**1 Claim, 11 Drawing Sheets**



(56)

**References Cited**

U.S. PATENT DOCUMENTS

6,321,861 B1 \* 11/2001 Leichter ..... E04H 12/2223  
 135/99  
 D456,131 S \* 4/2002 Dotson, Jr. .... D3/10  
 6,412,235 B1 \* 7/2002 Pylant ..... E02D 5/801  
 175/323  
 7,007,703 B2 \* 3/2006 Brooks, III ..... A45B 3/00  
 135/16  
 D518,286 S \* 4/2006 Santos ..... D3/17  
 7,191,996 B2 \* 3/2007 Patsalaridis ..... E04H 12/2223  
 135/16  
 D549,088 S \* 8/2007 Gallien ..... D8/387  
 D550,071 S \* 9/2007 Powell ..... D8/387  
 7,503,541 B2 \* 3/2009 Harold ..... A45B 25/00  
 135/16  
 D593,315 S \* 6/2009 Zemel ..... D21/840  
 D630,834 S \* 1/2011 Cohen ..... D3/10  
 7,980,185 B1 \* 7/2011 Teague, Jr. .... E05G 1/02  
 109/50  
 8,191,561 B2 \* 6/2012 Brooks, III ..... E04H 12/2223  
 135/16  
 D735,468 S \* 8/2015 Goldszer ..... D3/17  
 D738,102 S \* 9/2015 Goldszer ..... D3/17  
 9,221,107 B2 \* 12/2015 Escola Puig-Corve .....  
 E04H 12/2269  
 9,554,630 B1 \* 1/2017 Patel ..... A45B 25/02  
 9,629,427 B1 \* 4/2017 Alm ..... A45B 23/00  
 D816,982 S \* 5/2018 Martinez ..... D3/10  
 D855,968 S \* 8/2019 Hu ..... D3/10  
 D859,808 S \* 9/2019 Goldszer ..... D3/10

\* cited by examiner

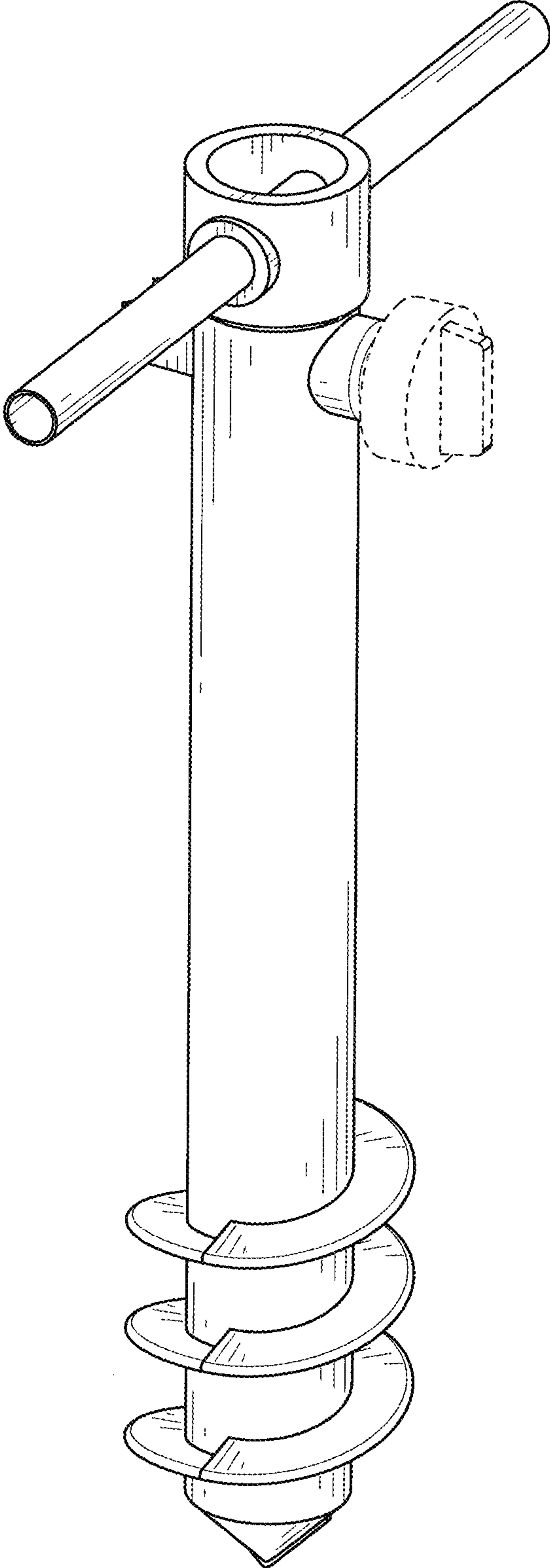


FIG. 1

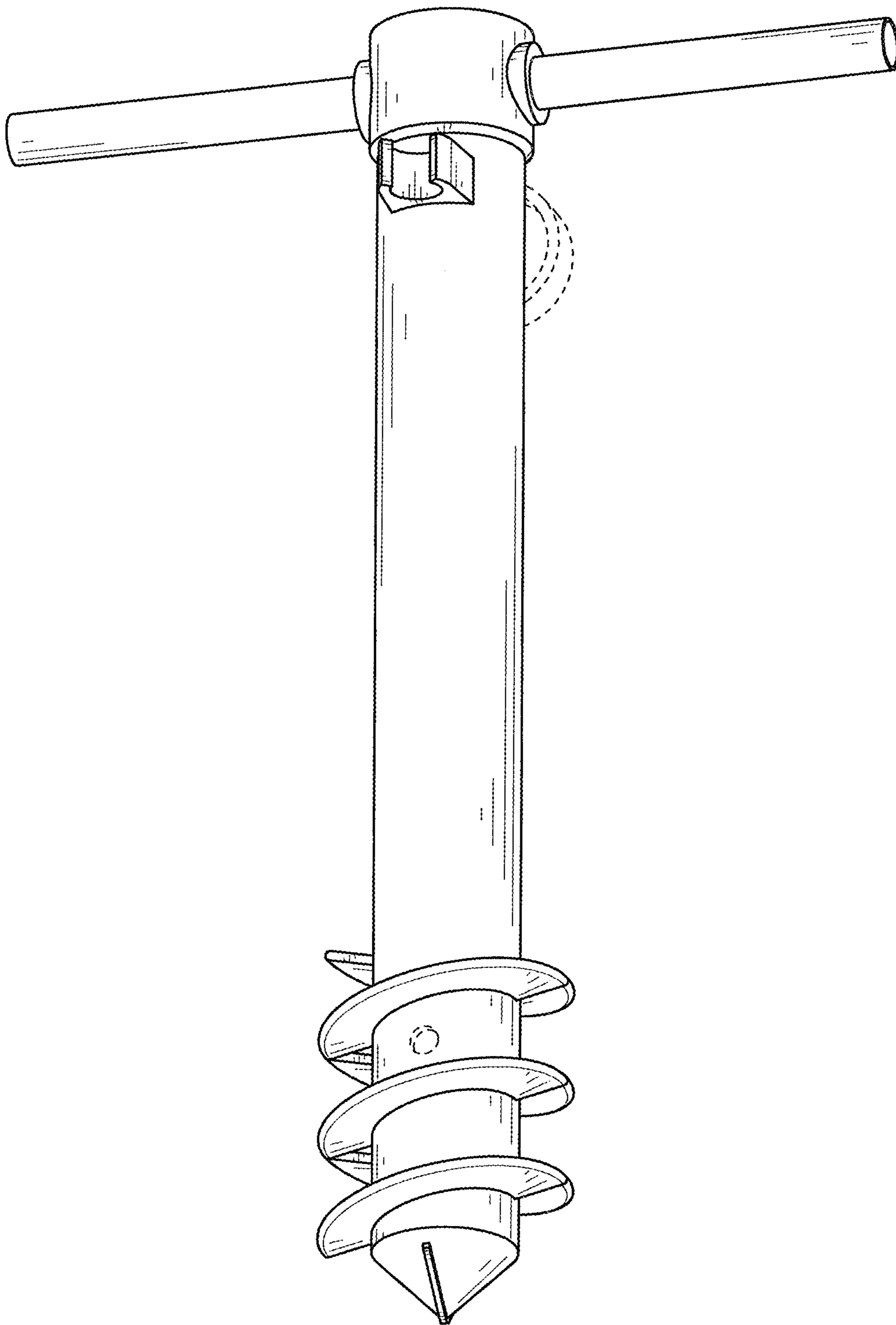


FIG. 2

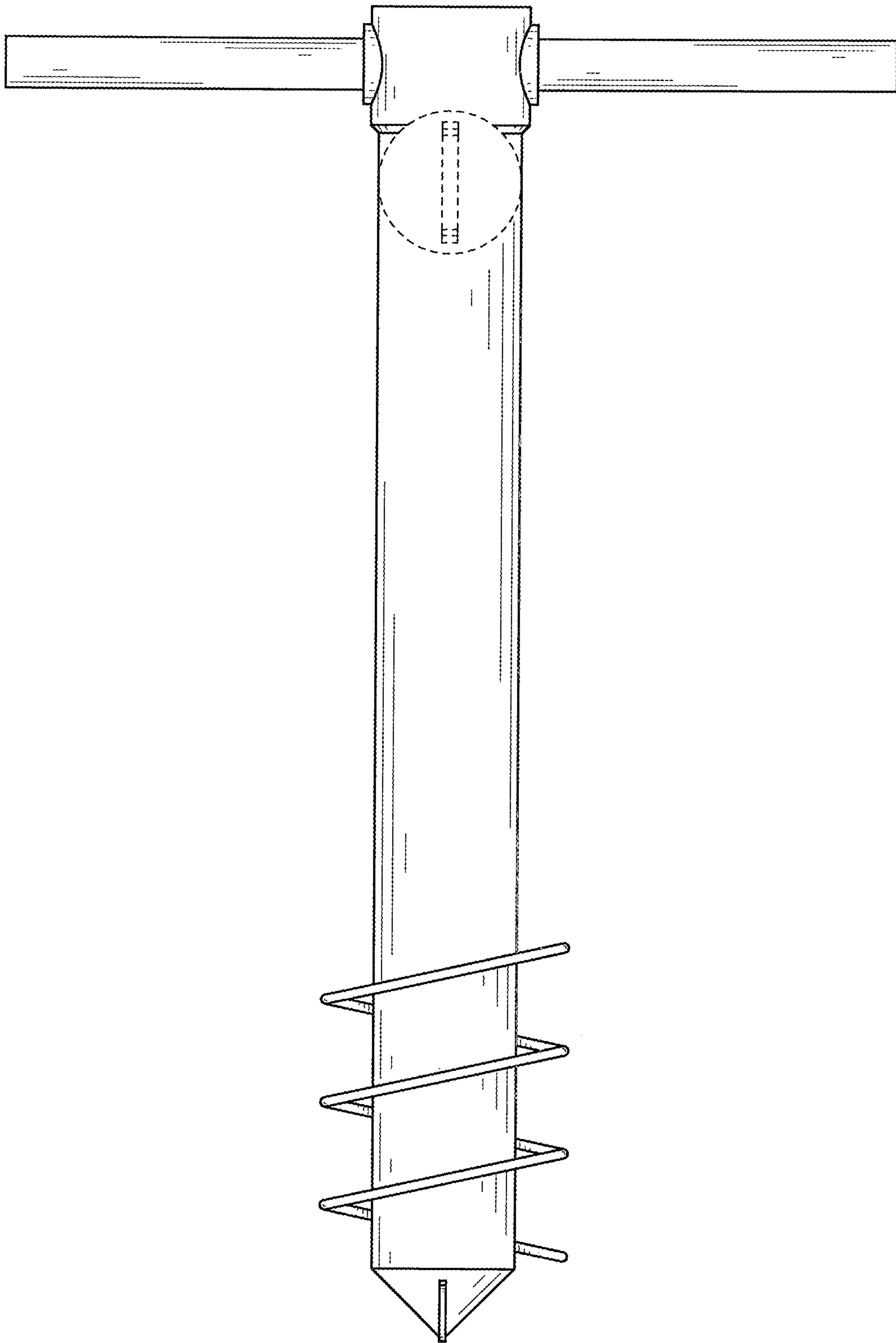


FIG. 3

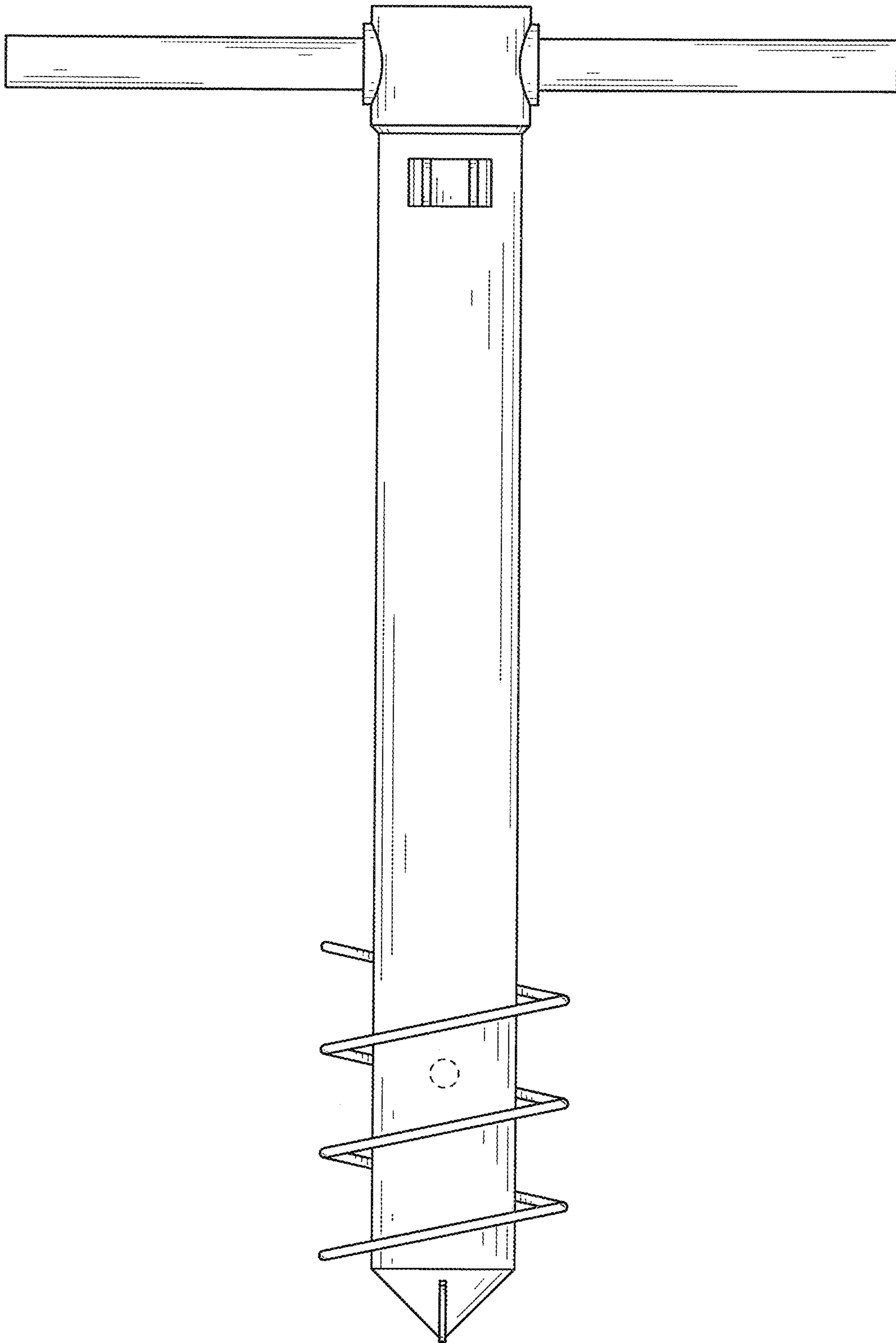


FIG. 4

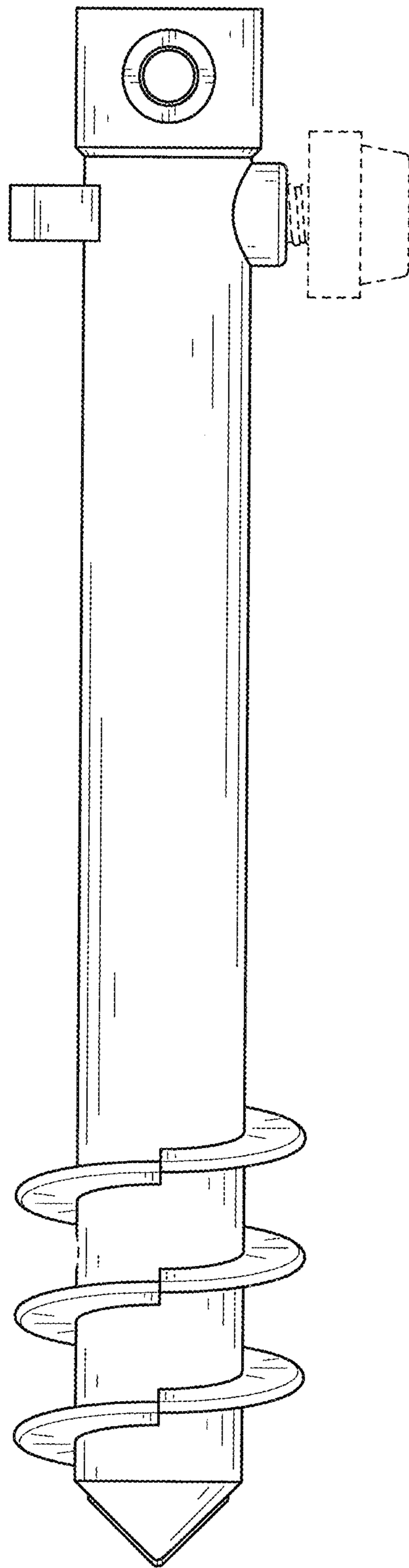


FIG. 5

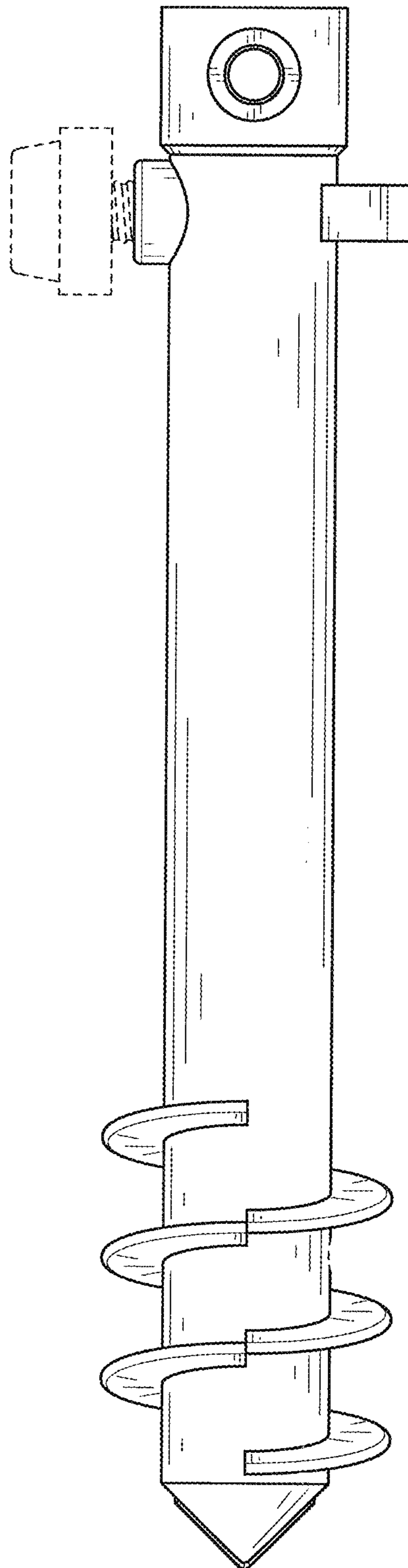


FIG. 6



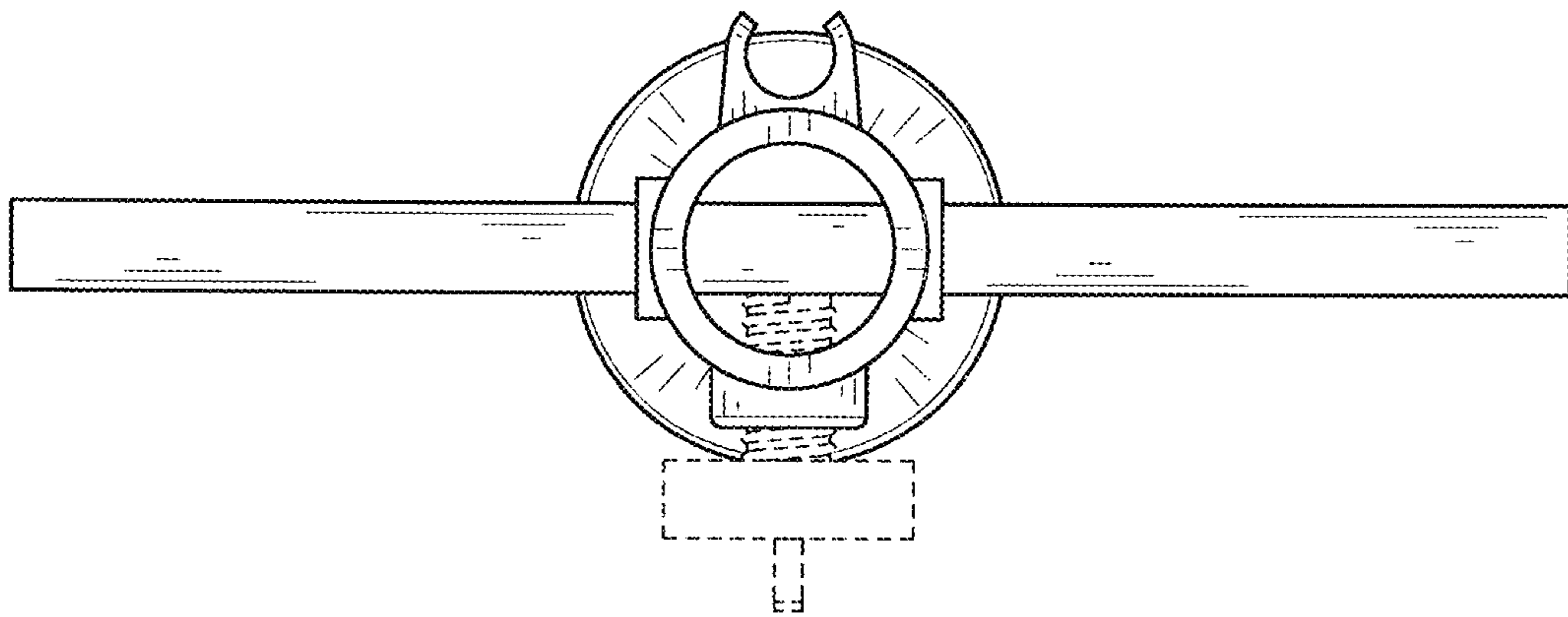


FIG. 7

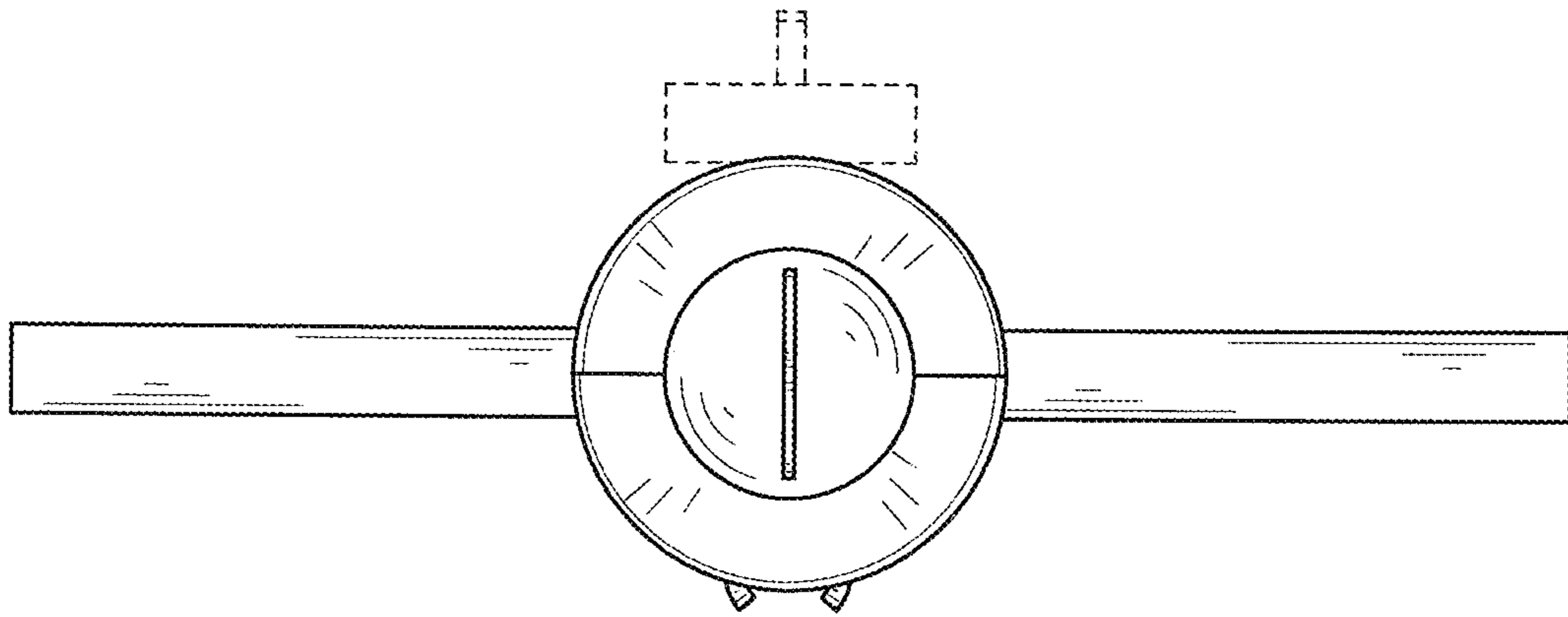


FIG. 8

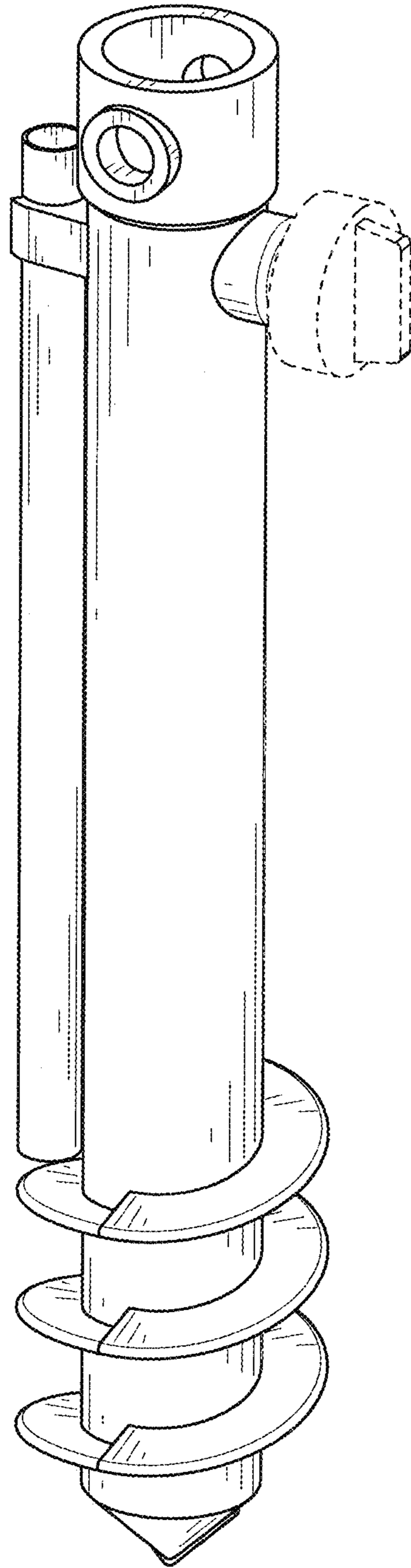


FIG. 9

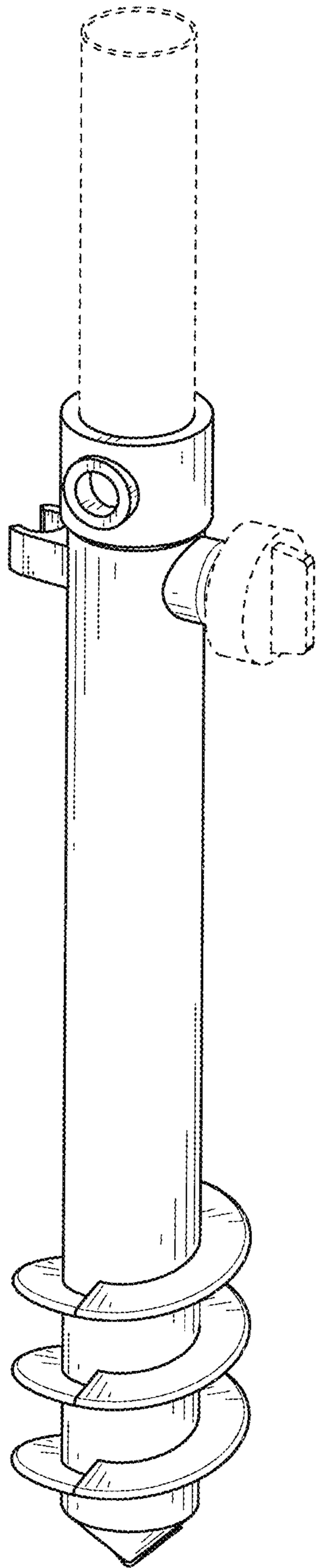


FIG. 10

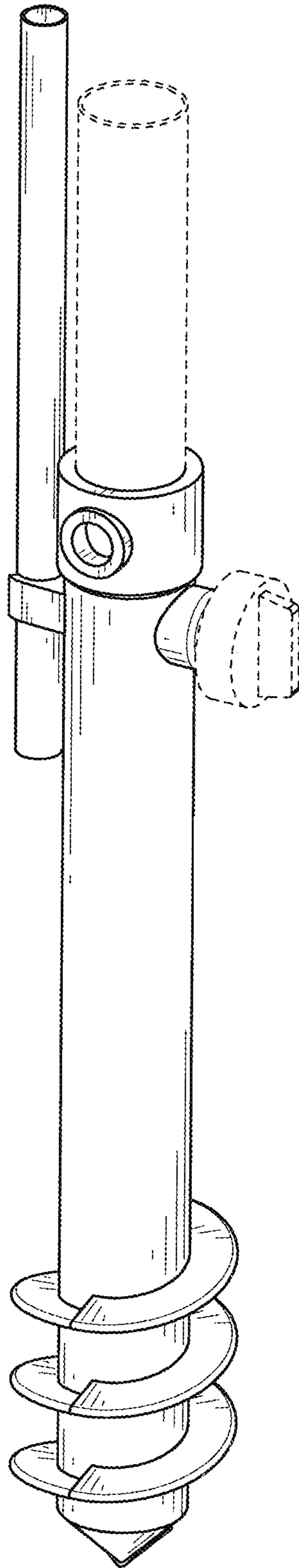


FIG. 11