



US00D877484S

(12) **United States Design Patent**
Hu

(10) **Patent No.:** **US D877,484 S**
(45) **Date of Patent:** **** Mar. 10, 2020**

(54) **SKYLIGHT UMBRELLA**

(71) Applicant: **JianFeng Hu**, ShangYu (CN)

(72) Inventor: **JianFeng Hu**, ShangYu (CN)

(**) Term: **15 Years**

(21) Appl. No.: **29/659,279**

(22) Filed: **Aug. 7, 2018**

(51) **LOC (12) Cl.** **03-03**

(52) **U.S. Cl.**
USPC **D3/5**

(58) **Field of Classification Search**
USPC D3/5, 6, 10
CPC ... A45B 11/00; A45B 19/00; A45B 2019/005;
A45B 23/00; A45B 2023/0012; A45B
2023/0075; A45B 2023/0081; A45B
2023/0087; A45B 2023/0093; A45B
25/00; A45B 2025/003; A45B 25/006;
A45B 25/02; A45B 25/18; A45B
2025/186; A45B 2200/10; A45B
2200/1072; A45B 2023/0031; A45B
25/20; A45B 25/22

See application file for complete search history.

(56) **References Cited**

U.S. PATENT DOCUMENTS

D162,617 S * 3/1951 Benivegna et al. 135/33.7
2,875,772 A * 3/1959 Canady A45B 25/20
135/33.71
3,456,661 A * 7/1969 Farley A45B 25/22
135/33.7
3,557,809 A * 1/1971 Vazquez A45B 11/00
135/15.1
4,804,008 A * 2/1989 Ryder A45B 25/20
135/33.7
4,979,534 A * 12/1990 Johnson A45B 25/20
135/33.41
5,065,779 A * 11/1991 Johnson A45B 25/20
135/33.7
D336,982 S * 7/1993 Johnson D3/5

5,601,103 A * 2/1997 Dubinsky A45B 25/22
135/15.1
D408,125 S * 4/1999 Kupferman D3/5
5,890,506 A * 4/1999 Kupferman A45B 25/22
135/33.2
D413,198 S * 8/1999 You D3/5
5,975,099 A * 11/1999 Johnson A45B 19/10
135/29
6,173,724 B1 * 1/2001 You A45B 25/02
135/15.1
D439,400 S * 3/2001 Gobel D3/5
6,223,758 B1 * 5/2001 Feldman A45B 25/02
135/15.1
6,237,616 B1 * 5/2001 You A45B 25/22
135/33.5
D449,436 S * 10/2001 Baurley D3/5
D453,415 S * 2/2002 You D3/5
D467,066 S * 12/2002 You D3/5
D470,653 S * 2/2003 Li D3/5

(Continued)

Primary Examiner — John Windmuller
Assistant Examiner — Steven J Czyz
(74) *Attorney, Agent, or Firm* — Che-Yang Chen; Law
Offices of Scott Warmuth

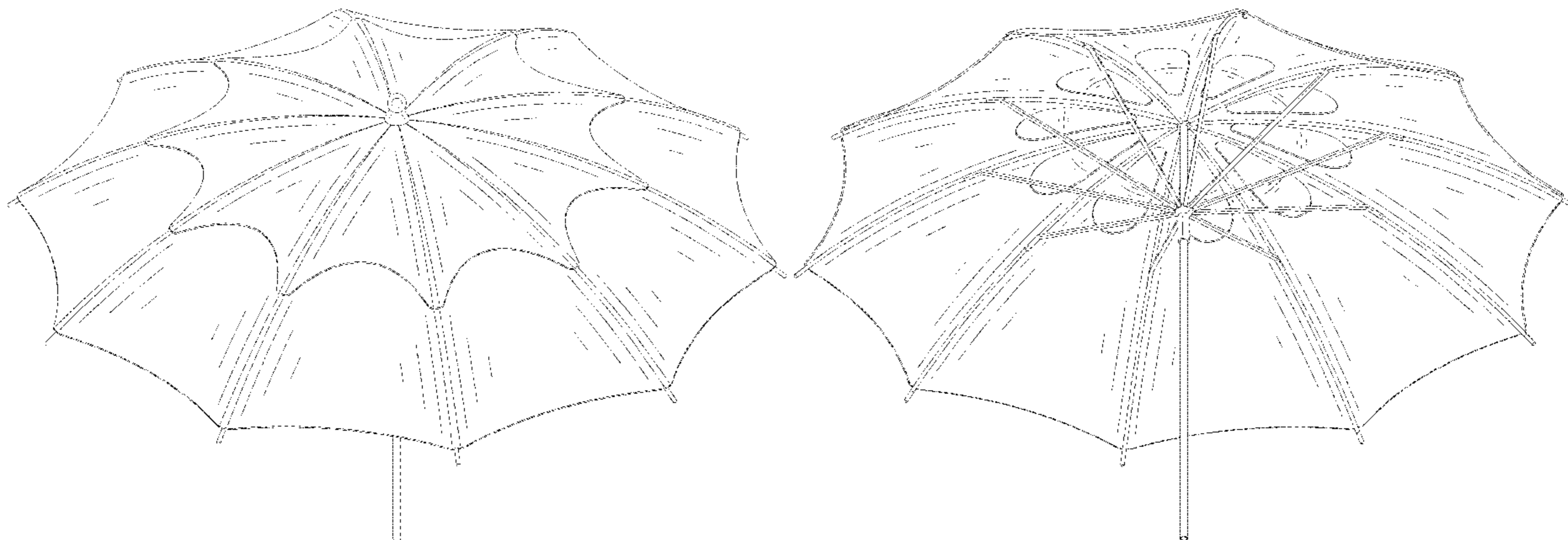
(57) **CLAIM**

The ornamental design for a skylight umbrella, as shown and described.

DESCRIPTION

FIG. 1 is a perspective view of a skylight umbrella showing my new design;
FIG. 2 is a bottom perspective view thereof;
FIG. 3 is a front view thereof;
FIG. 4 is a rear view thereof;
FIG. 5 is a right side view thereof;
FIG. 6 is a left side view thereof;
FIG. 7 is a top view thereof; and,
FIG. 8 is a bottom view thereof.

1 Claim, 8 Drawing Sheets



(56)

References Cited

U.S. PATENT DOCUMENTS

D470,654	S *	2/2003	Li	D3/5
6,520,193	B2 *	2/2003	You	A45B 25/22
					135/33.4
D471,351	S *	3/2003	Li	D3/5
D475,525	S *	6/2003	You	D3/5
6,601,597	B2 *	8/2003	Sung	A45B 25/02
					135/29
D496,783	S *	10/2004	Medina	D3/5
D509,954	S *	9/2005	Waltz	D3/5
D533,992	S *	12/2006	You	D3/5
D574,142	S *	8/2008	Kupferman	D3/10
7,992,581	B2 *	8/2011	Hoogendoorn	A45B 11/00
					135/31
D668,444	S *	10/2012	Jang	D3/6
8,469,044	B1 *	6/2013	Patel	A45B 25/20
					135/33.7
D696,510	S *	12/2013	Su	D3/5
9,173,461	B2 *	11/2015	Yang	A45B 25/20
9,351,548	B2 *	5/2016	Lorenz	A45B 11/04
9,756,912	B1 *	9/2017	Haythornthwaite	...	A45B 25/22
9,943,148	B1 *	4/2018	You	A45B 25/00
9,986,799	B1 *	6/2018	King	A45B 25/22

* cited by examiner



FIG.1

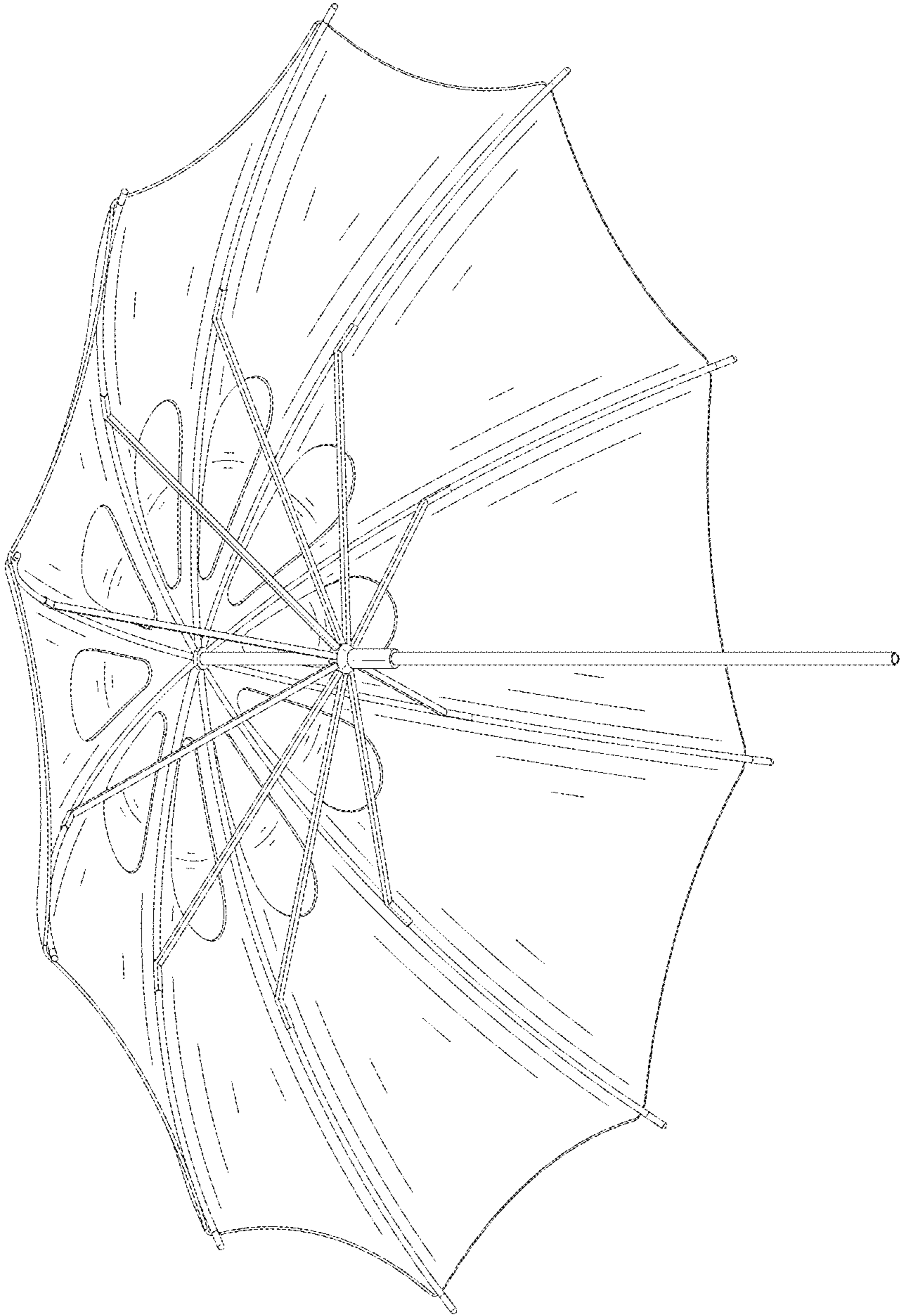


FIG.2

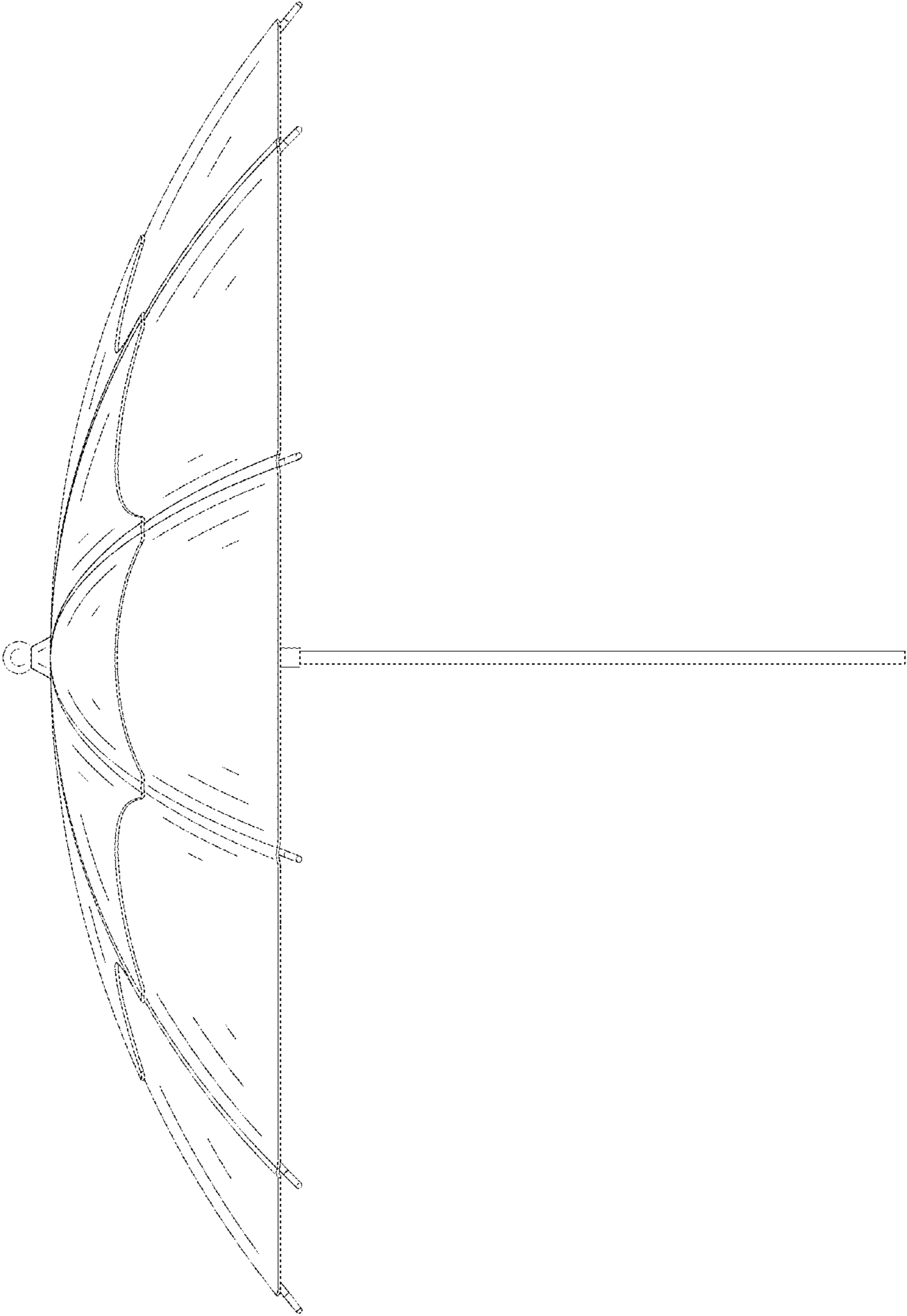


FIG.3

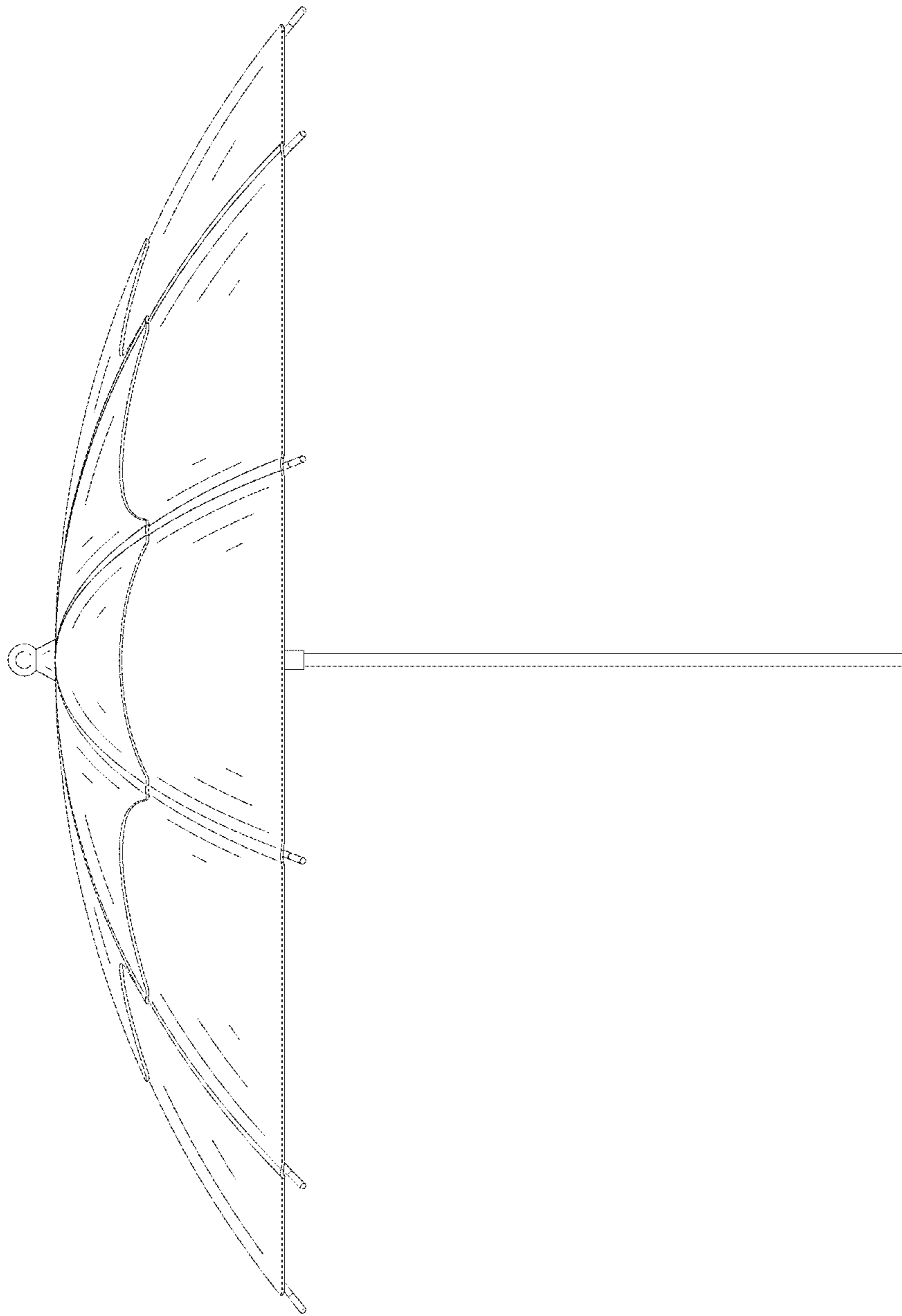


FIG.4

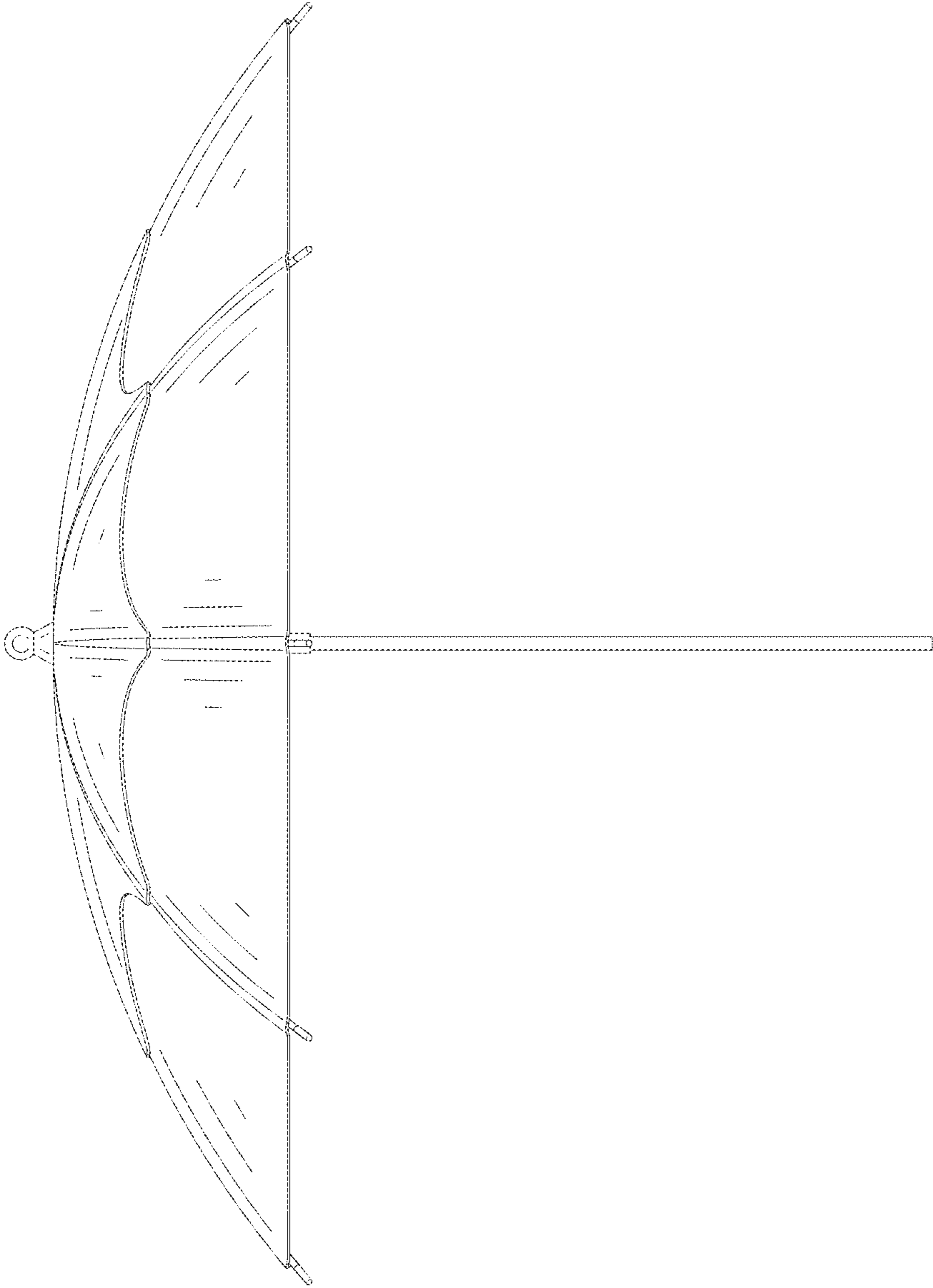


FIG.5

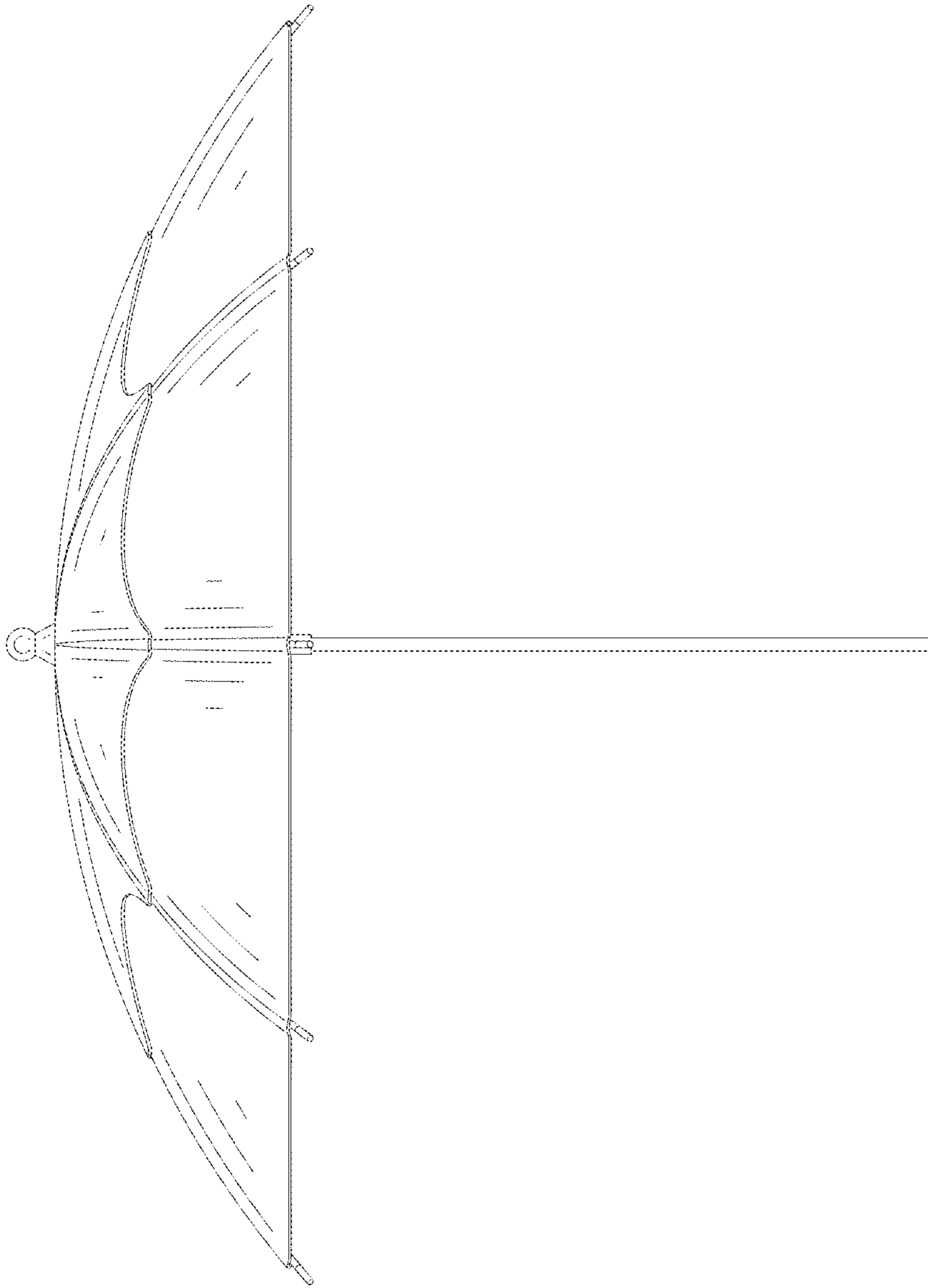


FIG.6

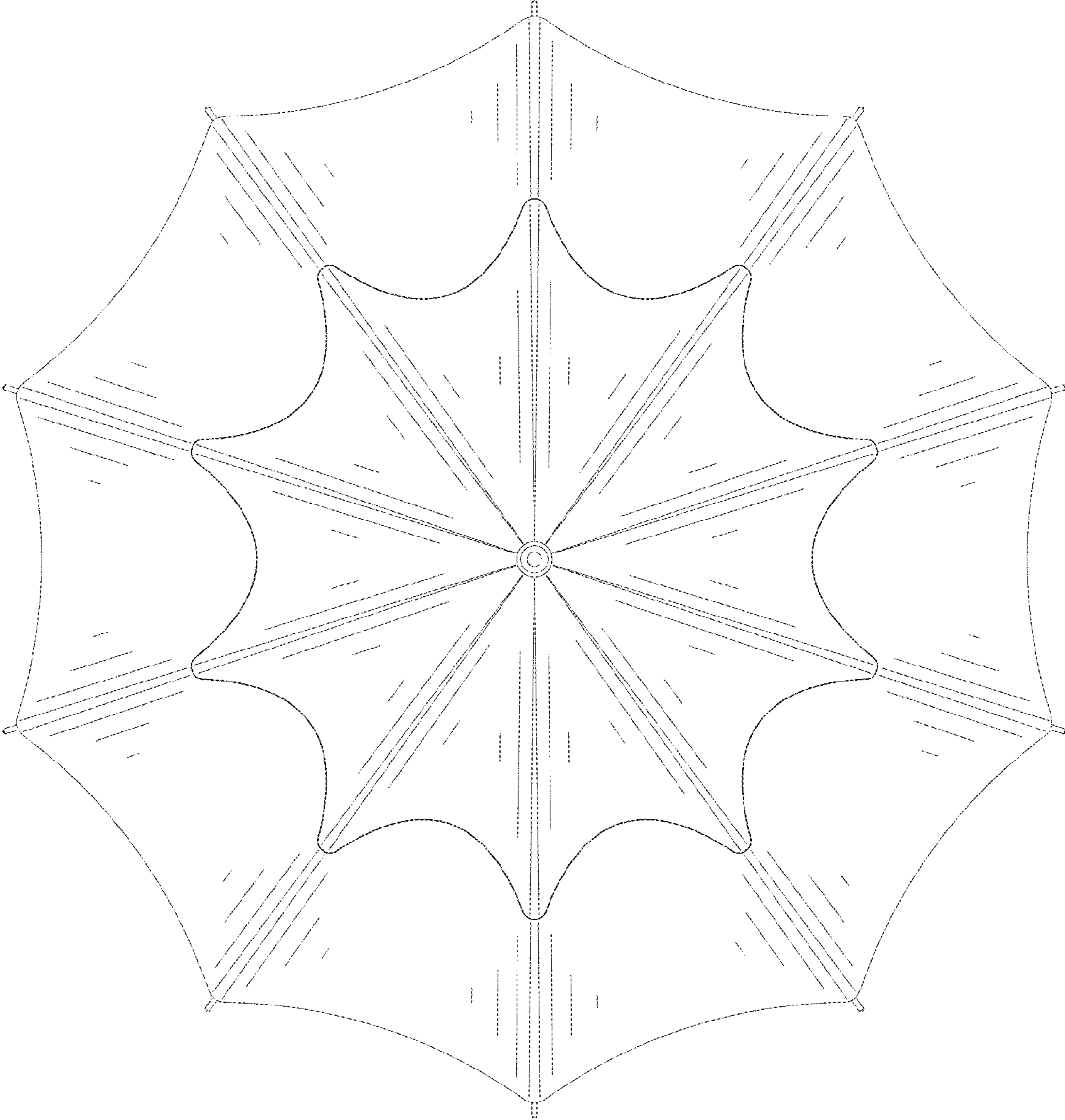


FIG. 7

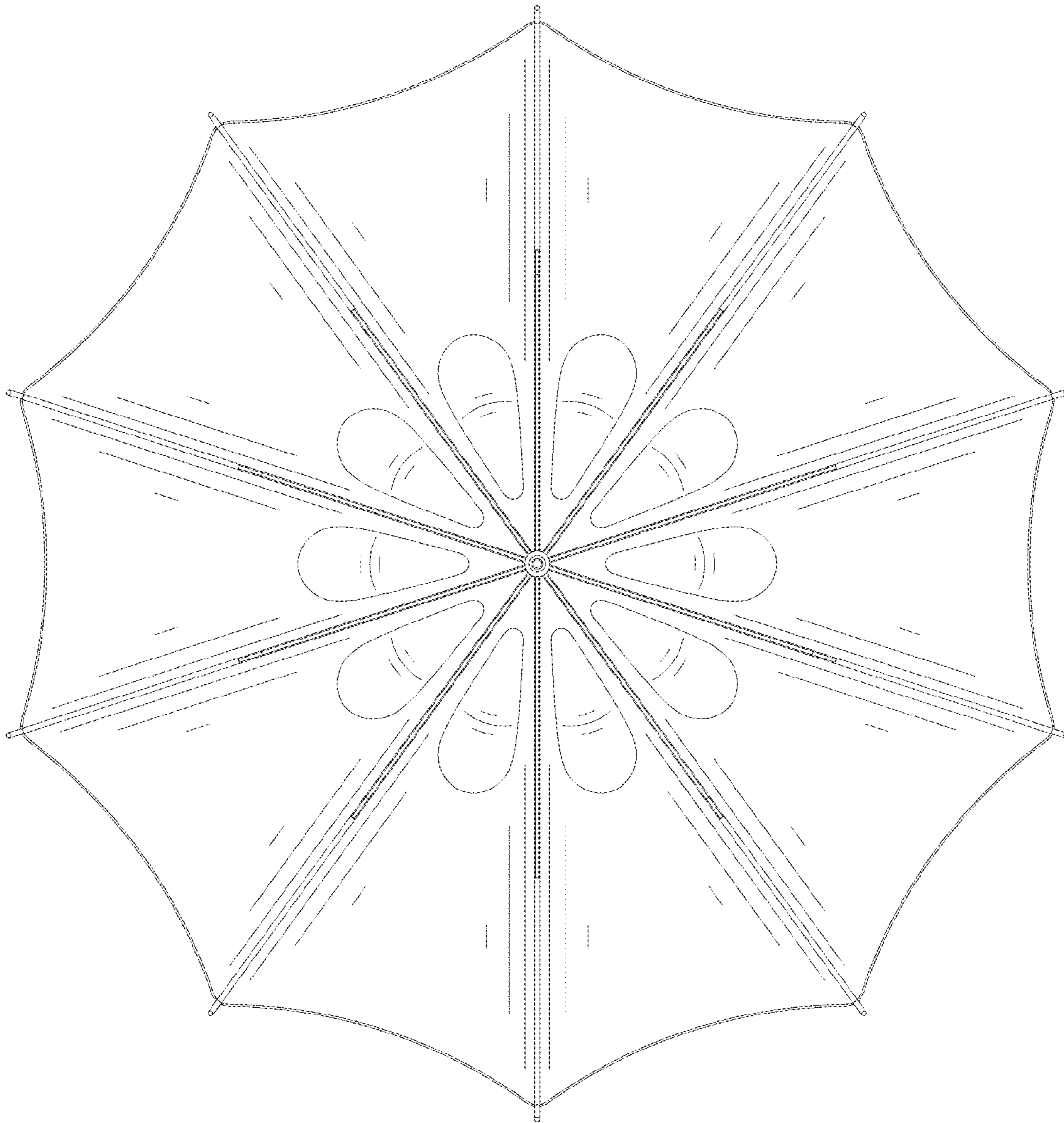


FIG. 8