



US00D877464S

(12) **United States Design Patent**
Phillips

(10) **Patent No.:** **US D877,464 S**
(45) **Date of Patent:** **** Mar. 10, 2020**

- (54) **SHOE**
- (71) Applicant: **Buku Babies, LLC**, Huntington Beach, CA (US)
- (72) Inventor: **John Phillips**, Huntington Beach, CA (US)
- (73) Assignee: **Buku Babies, LLC**, Huntington Beach, CA (US)

(**) Term: **15 Years**

(21) Appl. No.: **29/640,562**

(22) Filed: **Mar. 15, 2018**

(51) **LOC (12) Cl.** **02-04**

(52) **U.S. Cl.**
USPC **D2/900; D2/897; D2/924**

(58) **Field of Classification Search**
USPC D2/896, 897, 900, 902, 904, 906–908, D2/923, 924, 946, 969, 972–974, 978; D5/47, 49, 50, 53, 54, 56, 60
CPC ... A43B 13/181; A43B 13/141; A43B 13/186; A43B 13/188; A43B 23/00; A43B 23/02; A43B 5/00; A43B 23/26; A43B 1/04; A43B 11/14; A43B 7/00; A43B 3/12; A43C 3/00; A43C 5/00; A43C 7/00; A43C 11/004

See application file for complete search history.

(56) **References Cited**

U.S. PATENT DOCUMENTS

D59,031 S *	9/1921	Phillips	D2/900
D76,253 S *	9/1928	Meltzer	D2/900
2,200,080 A *	5/1940	Fein	A43B 3/24 36/101
D156,604 S *	12/1949	Codish	D2/900
D162,189 S *	2/1951	Levy	A43B 3/24 D2/900

D170,926 S *	11/1953	Kettner	A43B 3/24 D2/900
D186,210 S *	9/1959	Westberg	A43B 3/24 D2/900
2,919,503 A *	1/1960	Sholovitz	A43D 113/00 D2/900
3,050,873 A *	8/1962	Payne, Jr.	A43B 3/30 36/105
3,134,179 A *	5/1964	Laham	A43C 1/00 36/112
D226,746 S *	4/1973	Clement	A43C 1/00 D2/900

(Continued)

FOREIGN PATENT DOCUMENTS

KR	300280417	9/2001
KR	300686251	3/2013

(Continued)

Primary Examiner — Dominic V Simone

(74) *Attorney, Agent, or Firm* — Fish IP Law, LLP

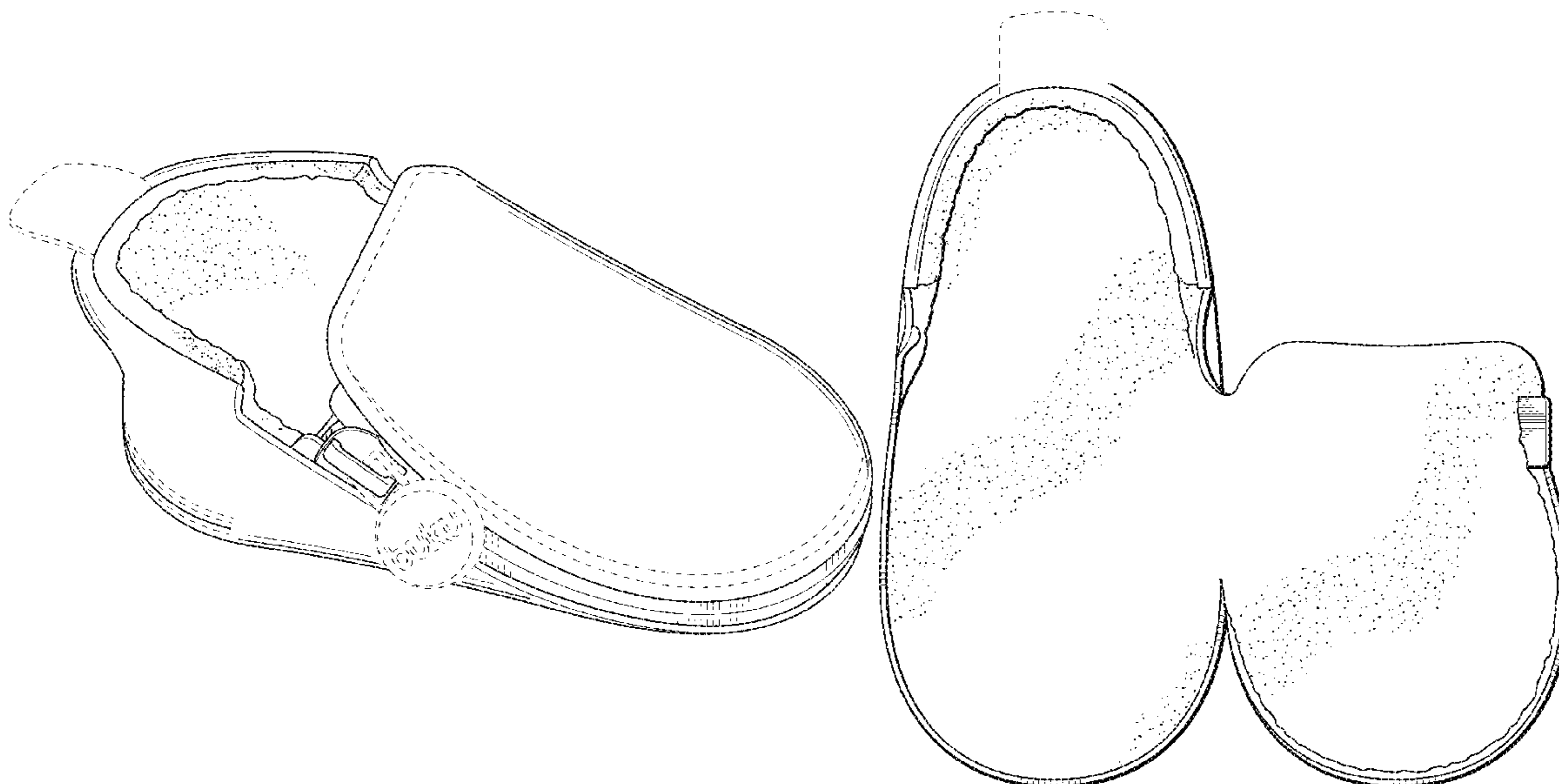
(57) **CLAIM**

The ornamental design for a shoe, as shown and described.

DESCRIPTION

FIG. 1 is a top, front, left side perspective view of a shoe. FIG. 2 is a front elevation view of the shoe of FIG. 1. FIG. 3 is a rear elevation view of the shoe of FIG. 1. FIG. 4 is a left side elevation view of the shoe of FIG. 1. FIG. 5 is a right side elevation view of the shoe of FIG. 1. FIG. 6 is a top plan view of the shoe of FIG. 1. FIG. 7 is a bottom plan view of the shoe of FIG. 1. FIG. 8 is a top plan view of the shoe of FIG. 1 with the zipper and top of the shoe opened; and, FIG. 9 is a top plan view of the shoe of FIG. 1 with the zipper and top of the shoe opened. The broken lines in the drawings represent unclaimed subject matter and form no part of the claim.

1 Claim, 6 Drawing Sheets



(56)

References Cited

U.S. PATENT DOCUMENTS

4,103,440 A * 8/1978 Lawrence A43B 3/24
36/101
D294,653 S * 3/1988 Le A43D 113/00
D2/900
D387,194 S 12/1997 Sema
5,983,528 A * 11/1999 Hartung A43B 3/24
36/101
D575,048 S 8/2008 Santos
D581,648 S 12/2008 Guers-Neyraud
D582,144 S 12/2008 Guers-Neyraud
7,669,352 B2 * 3/2010 Stefani A43B 3/24
36/101
D665,562 S * 8/2012 Di Nucci D2/902
D680,719 S 4/2013 Dardinski
D741,054 S 10/2015 Stillwagon
D790,829 S * 7/2017 Goldstein D2/969
D802,261 S * 11/2017 Stillwagon D2/923
D858,952 S * 9/2019 Williams D2/900

FOREIGN PATENT DOCUMENTS

KR 300800348 6/2015
KR 300893884 2/2017

* cited by examiner

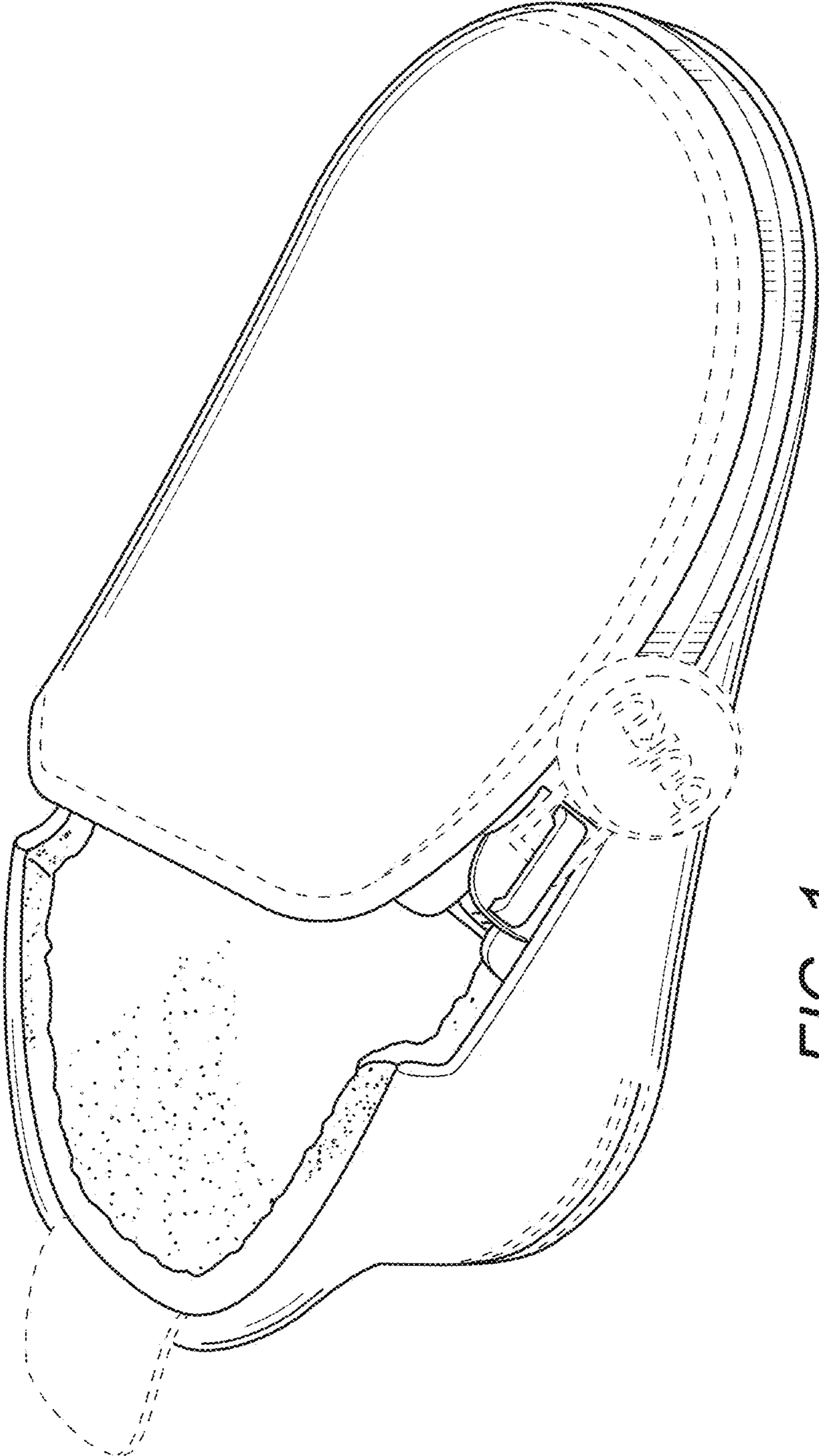


FIG. 1

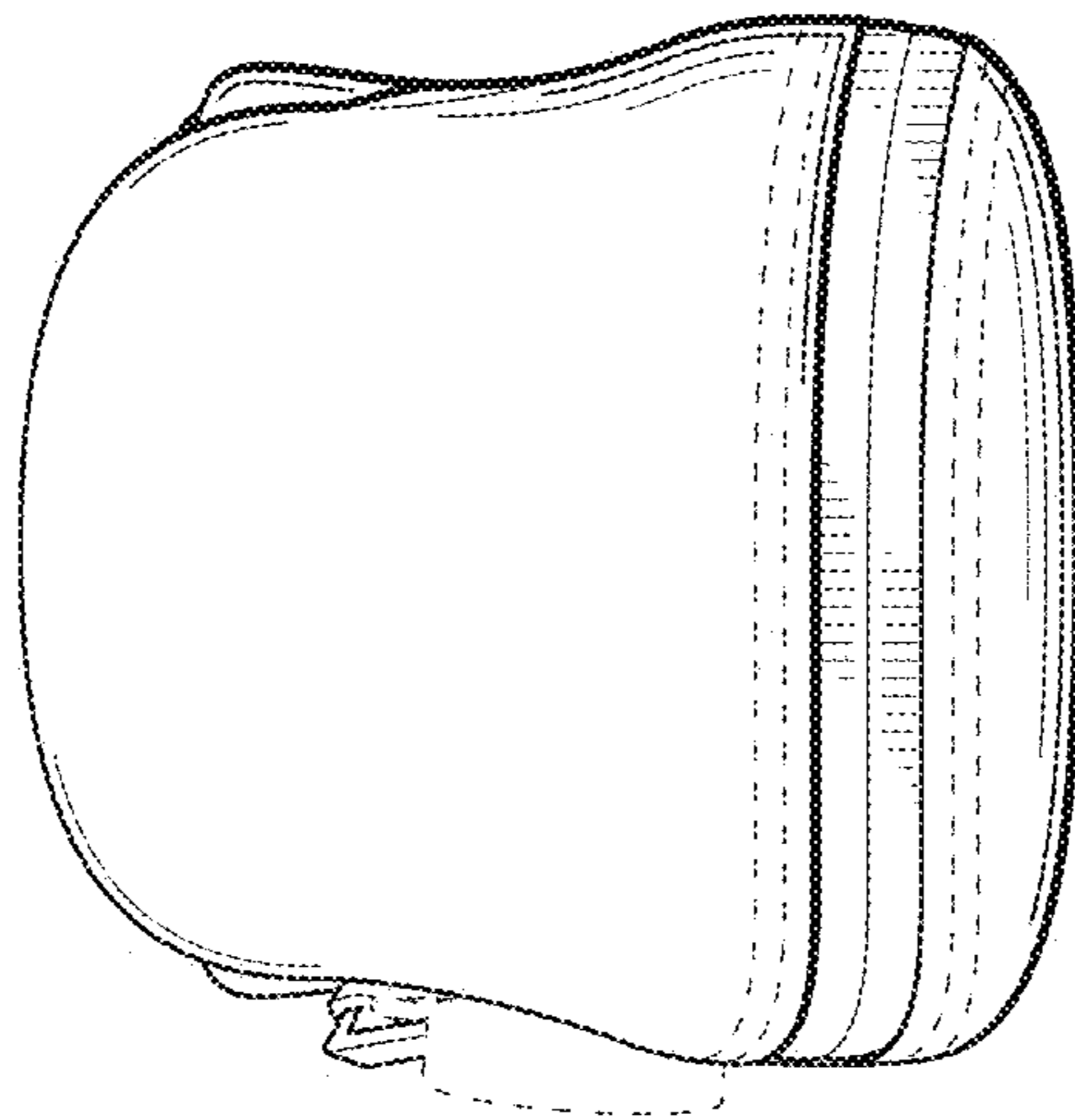


FIG. 2

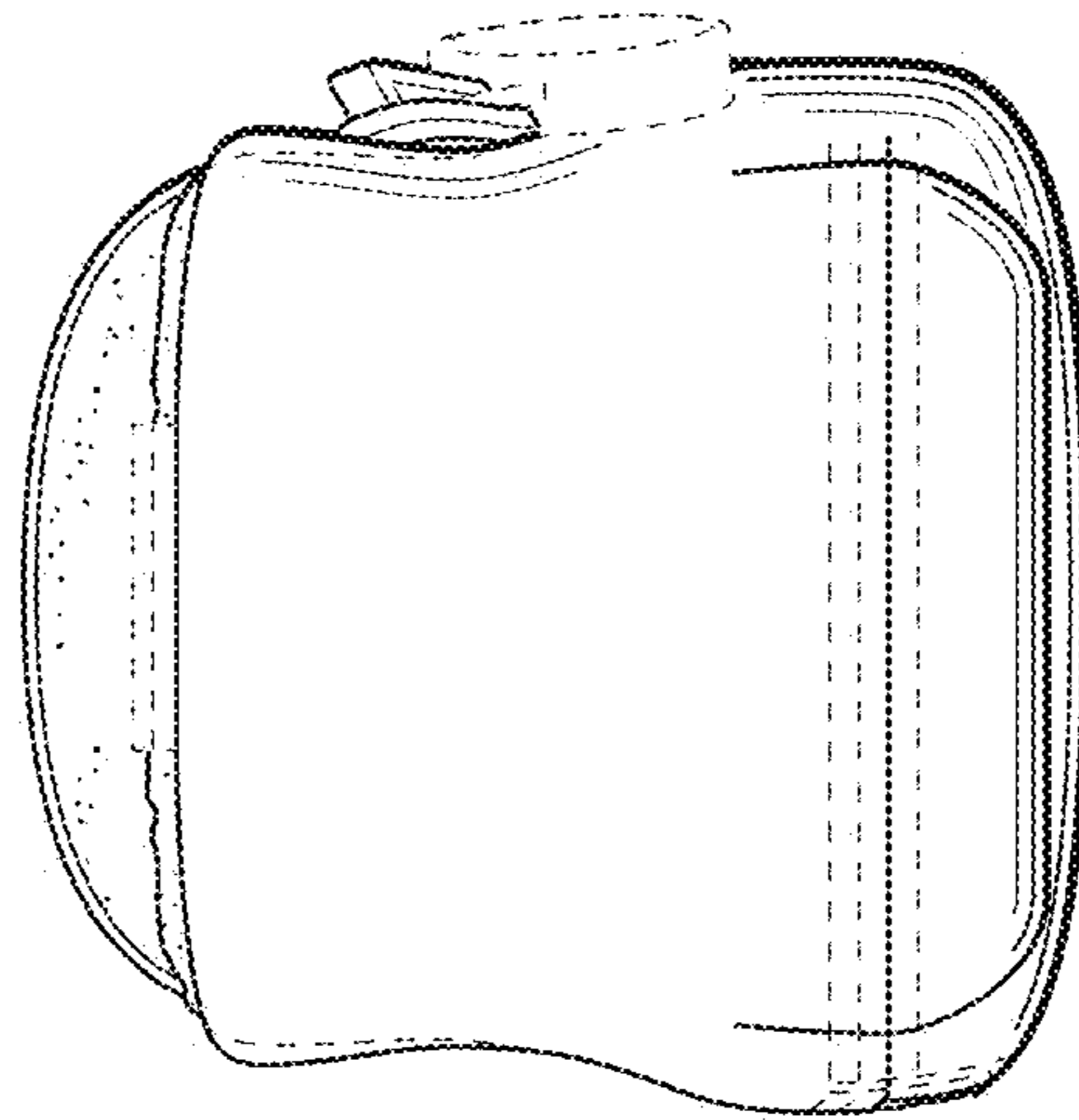


FIG. 3

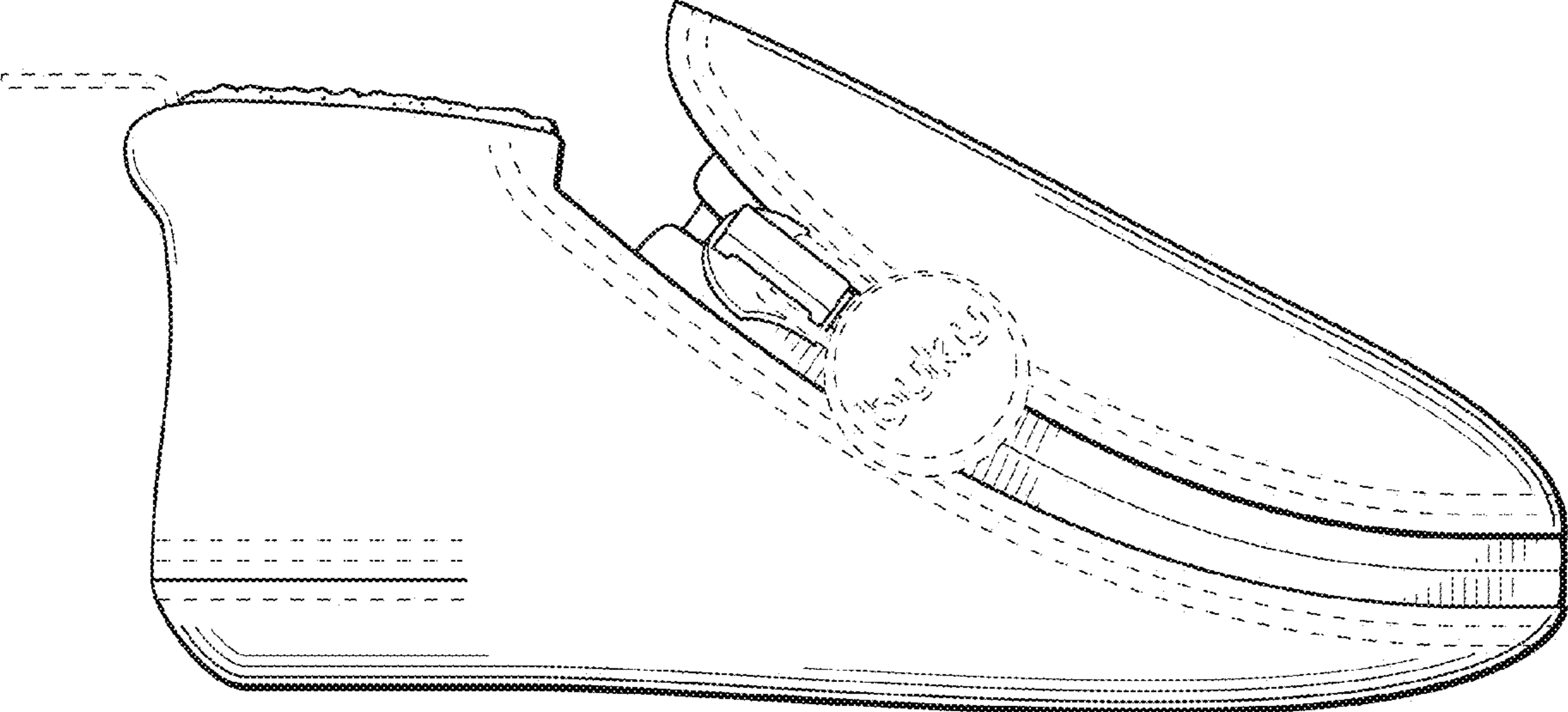


FIG. 4

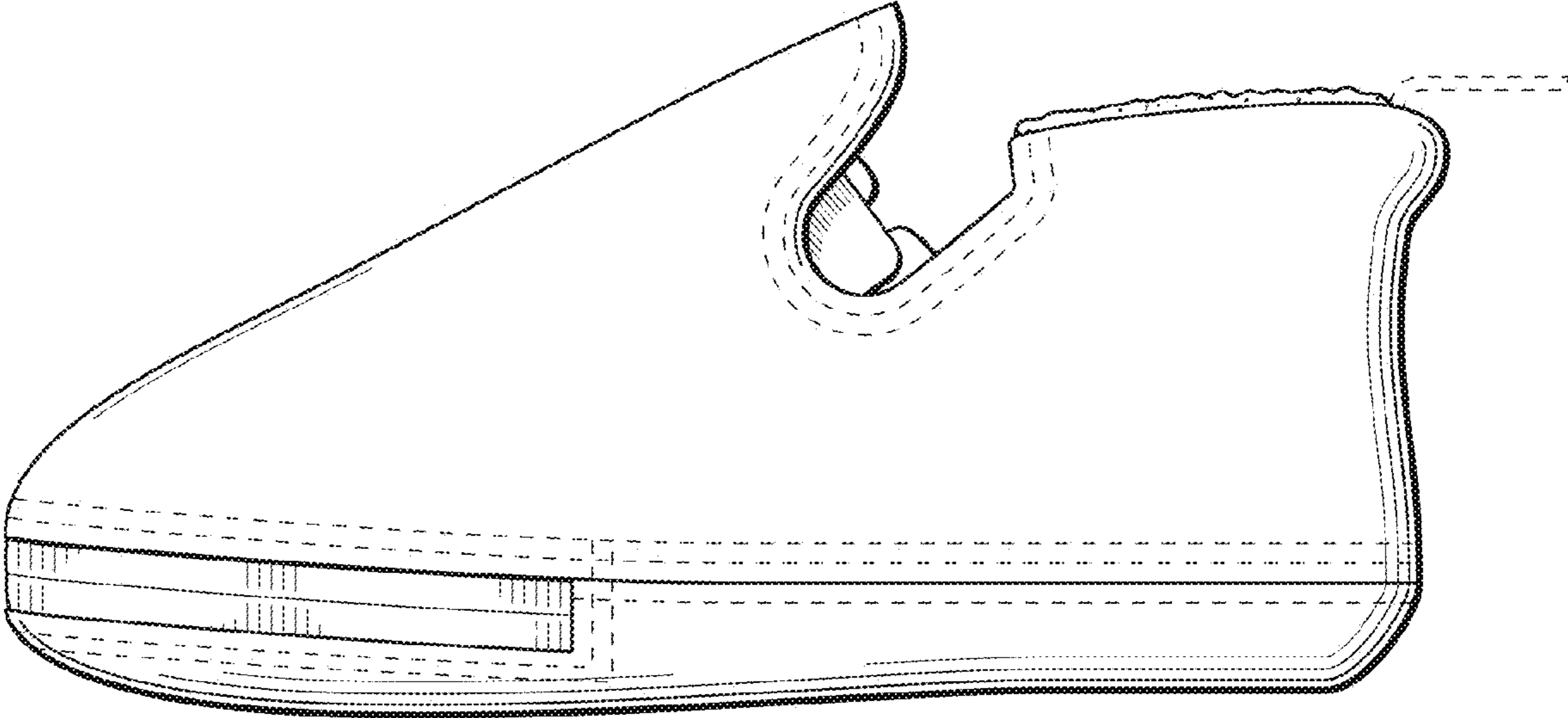


FIG. 5

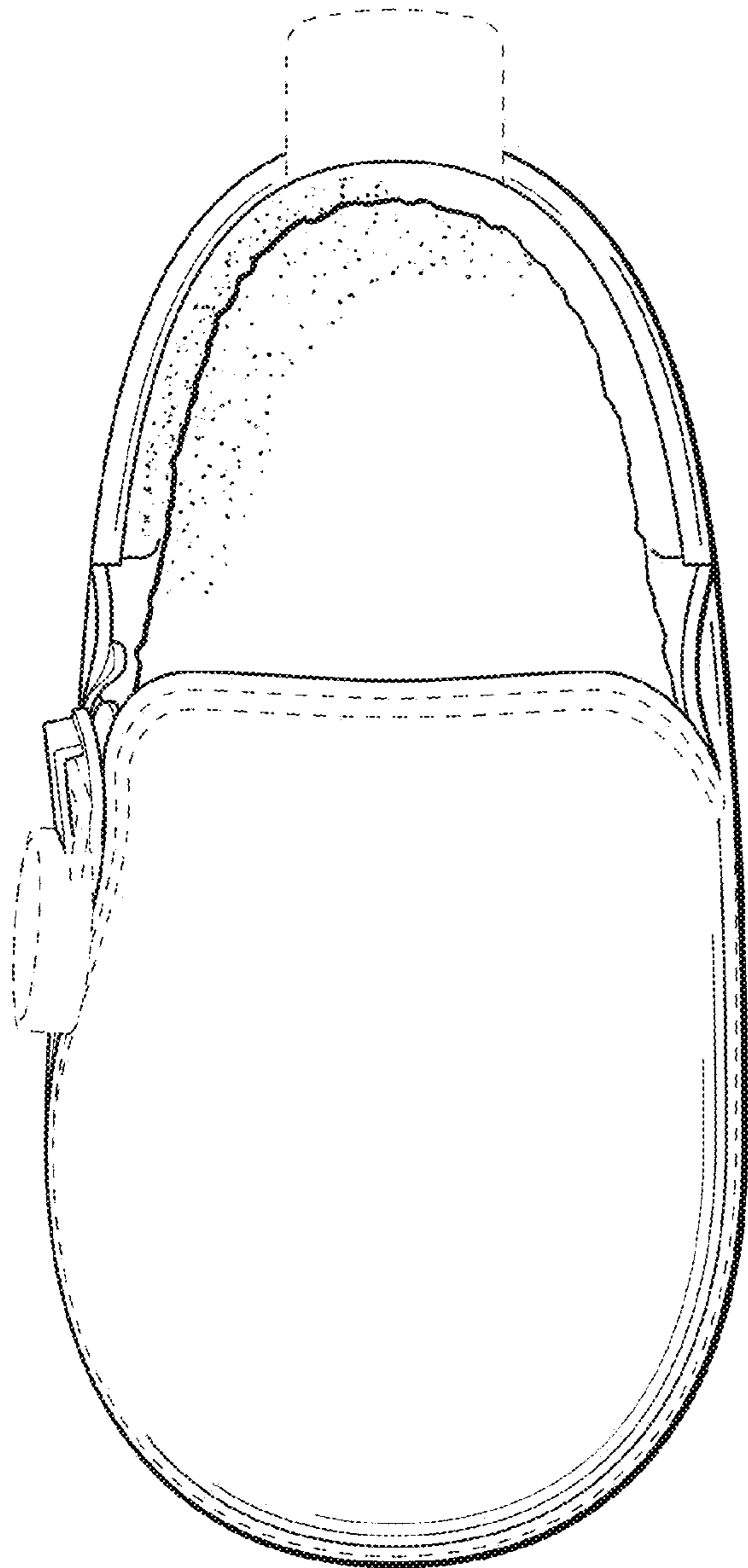


FIG. 6

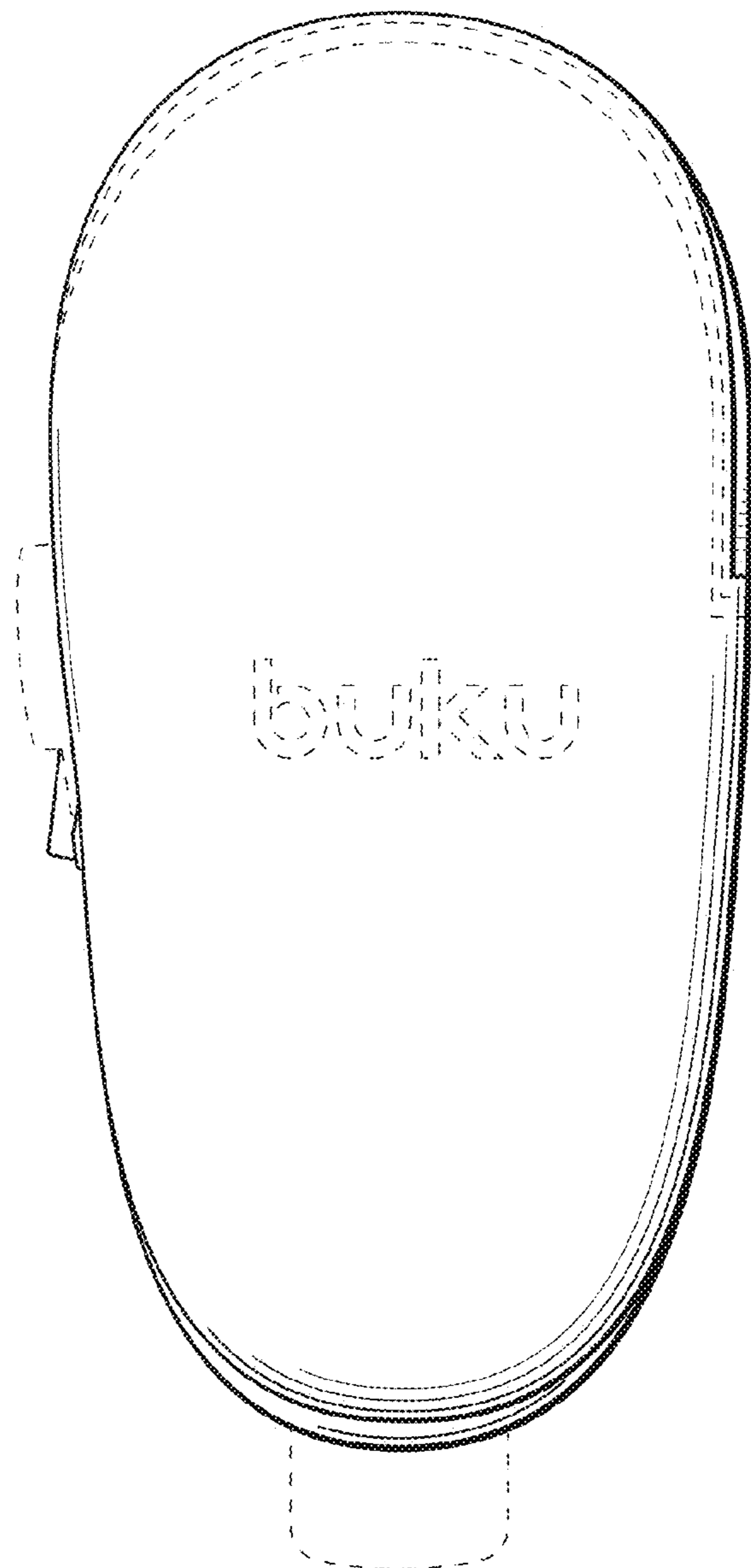


FIG. 7

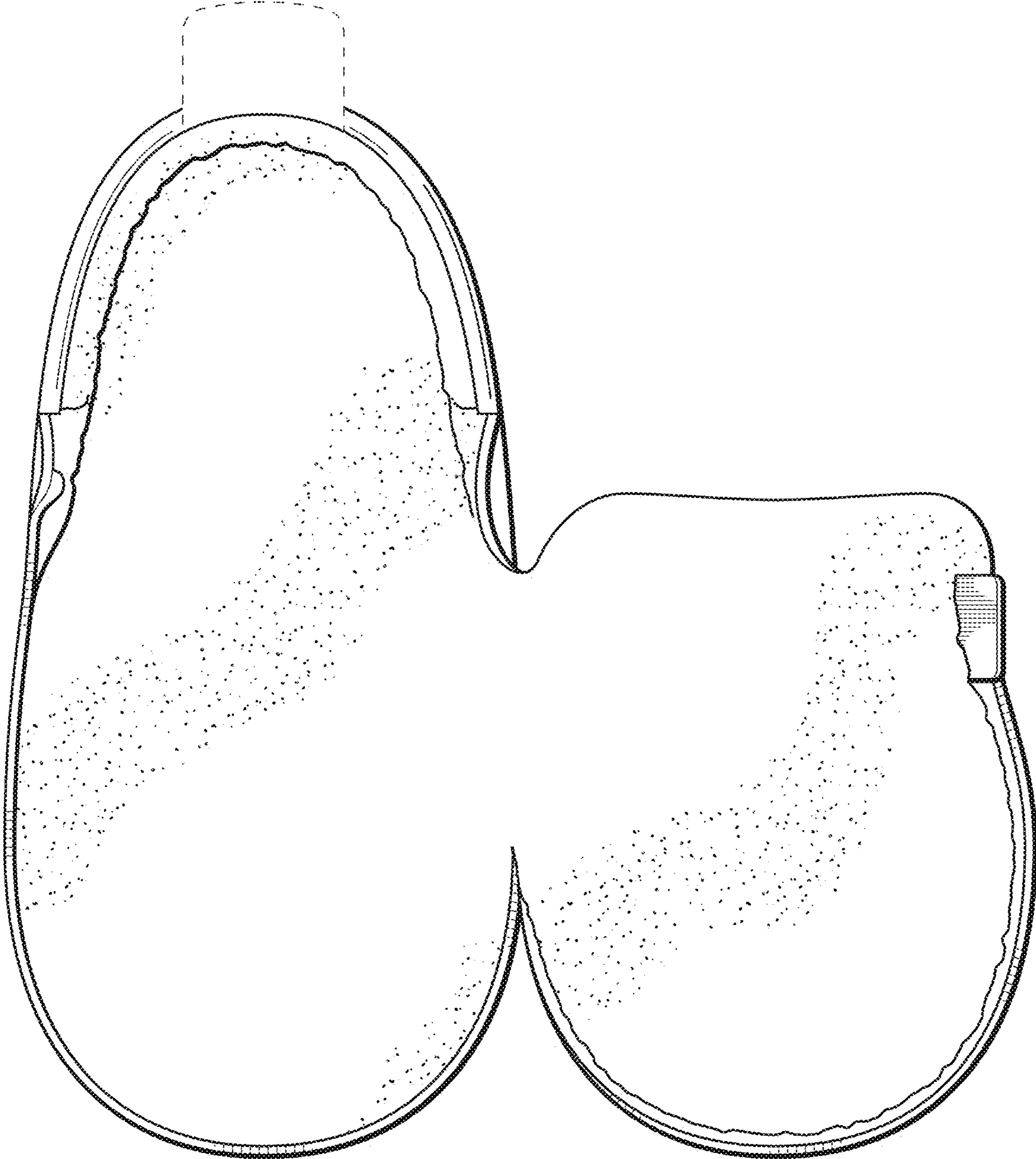


FIG. 8

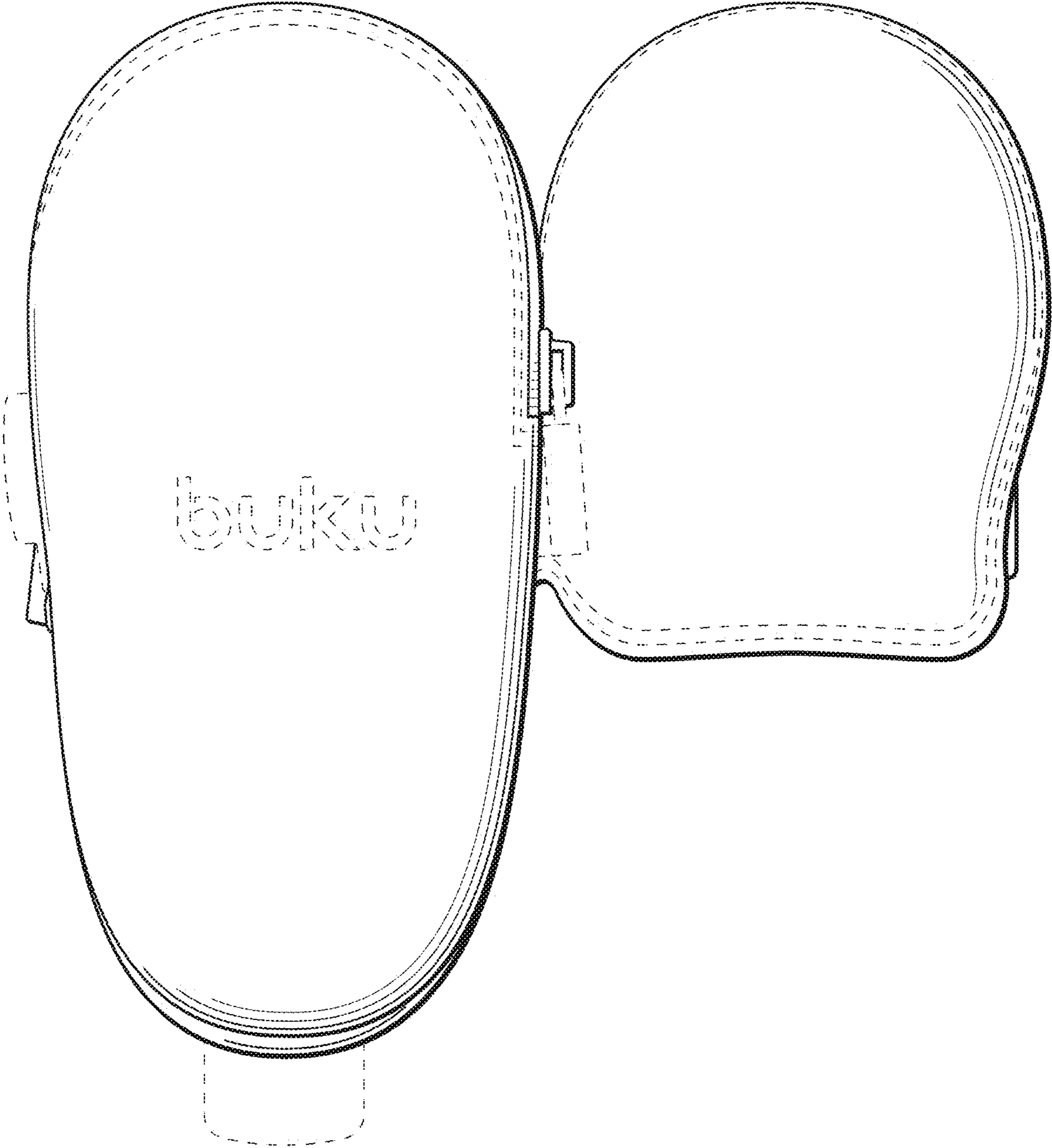


FIG. 9