



US00D877462S

(12) **United States Design Patent**
Teat et al.

(10) **Patent No.:** **US D877,462 S**
(45) **Date of Patent:** **** Mar. 10, 2020**

(54) **COMBINATION SURGICAL CAP AND
DEPLOYABLE BOUFFANT CAP**

(71) Applicant: **O&M Halyard, Inc.**, Mechanicsville,
VA (US)

(72) Inventors: **Stephanie V. Teat**, Roswell, GA (US);
Kun-Chi Wu, Johns Creek, GA (US);
Patrick F. Elliott, Dunwoody, GA
(US); **Brian E. Lin**, Cumming, GA
(US); **Mary Rachel Taylor Henderson**,
Decatur, GA (US); **Matthew G.
Weatherly**, Woodstock, GA (US); **Ann
Shupe**, Walker, MI (US); **Karen
Duncan**, Wyoming, MI (US)

(73) Assignee: **O&M Halyard, Inc.**, Mechanicsville,
VA (US)

(**) Term: **15 Years**

(21) Appl. No.: **29/636,628**

(22) Filed: **Feb. 9, 2018**

(51) **LOC (12) Cl.** **02-03**

(52) **U.S. Cl.**
USPC **D2/867**

(58) **Field of Classification Search**
USPC D2/865, 866, 867, 868, 869, 870, 873,
D2/878, 880, 885, 889

(Continued)

(56) **References Cited**

U.S. PATENT DOCUMENTS

2,666,925 A 1/1954 Mayer
2,817,090 A 12/1957 Toellner
(Continued)

FOREIGN PATENT DOCUMENTS

CN 202697843 U 1/2013
CN 205671558 U 11/2016
(Continued)

OTHER PUBLICATIONS

“Halyard Cover Max Surgical Cap with Capture Technology,”
[on-line]; [Internet publication date unknown]; [retrieved from the
Internet on Jul. 30, 2019]; URL: [https://products.halyardhealth.com/
infection-prevention/protective-apparel/headwear/halyard-cover-
max-surgical-cap-5093.html](https://products.halyardhealth.com/infection-prevention/protective-apparel/headwear/halyard-cover-max-surgical-cap-5093.html). (3 pgs). (Year: 2019).*

(Continued)

Primary Examiner — Karen S Acker

Assistant Examiner — Jasmine Mlinarcik

(74) *Attorney, Agent, or Firm* — Dority & Manning, P.A.

(57) **CLAIM**

The ornamental design for a combination surgical cap and
deployable bouffant cap, as shown and described.

DESCRIPTION

FIG. 1 is a perspective view of a combination surgical cap
and deployable bouffant cap according to the present design
when the bouffant is in its undeployed state;

FIG. 2 is a front view of a combination surgical cap and
deployable bouffant cap according to the present design
when the bouffant is in its undeployed state;

FIG. 3 is a rear view of the combination surgical cap and
deployable bouffant according to the present design when
the bouffant is in its undeployed state;

FIG. 4 is a section cut view taken along line 4-4 in FIG. 7
of the combination surgical cap and deployable bouffant
according to the present design when the bouffant is in its
undeployed state;

FIG. 5 is a left side view of the combination surgical cap and
deployable bouffant cap according to the present design
when the bouffant is in its undeployed state;

FIG. 6 is a right side view of the combination surgical cap
and deployable bouffant cap according to the present design
when the bouffant is in its undeployed state;

FIG. 7 is a top view of the combination surgical cap and
deployable bouffant cap according to the present design
when the bouffant is in its undeployed state;

(Continued)

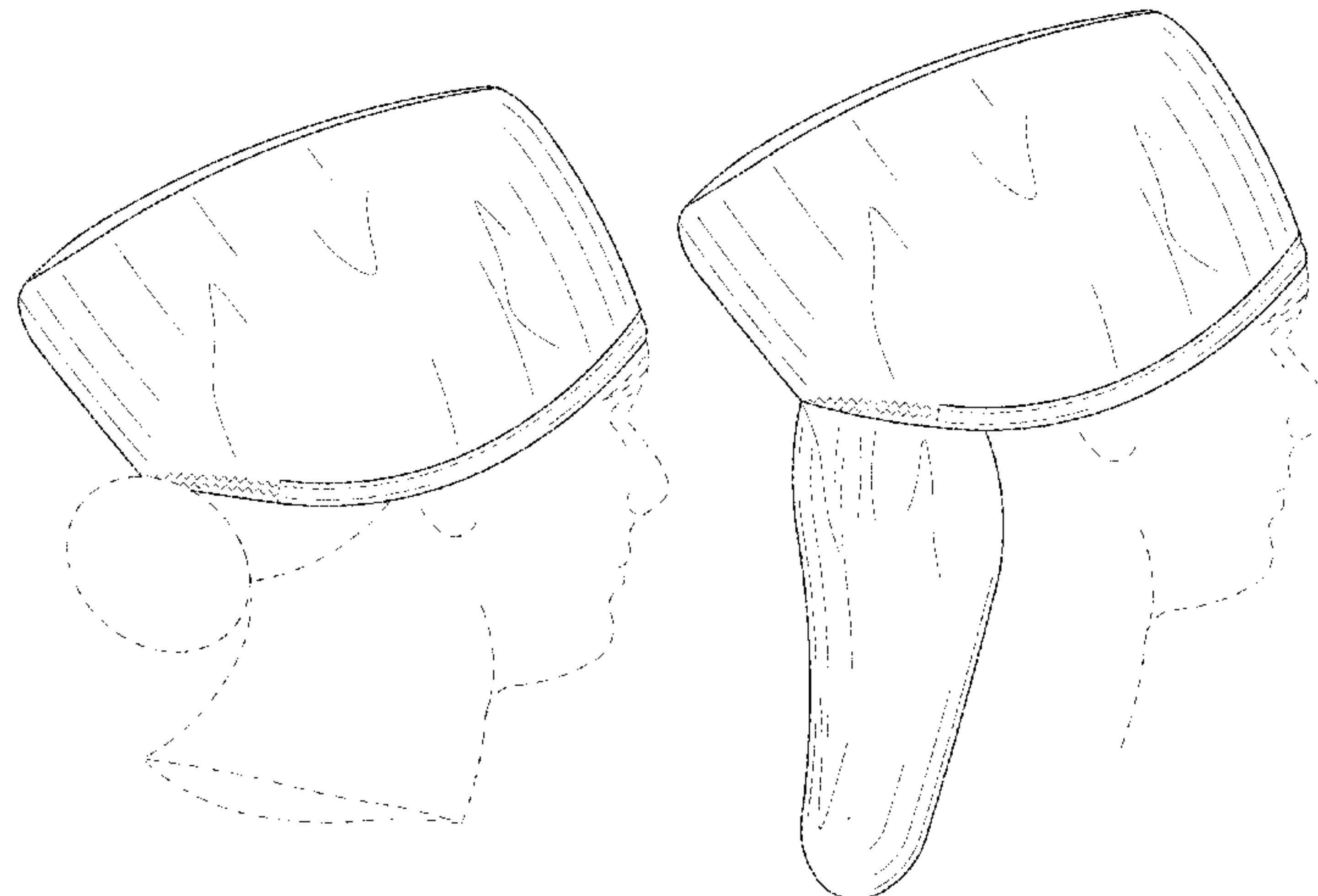


FIG. 8 is a bottom view of the combination surgical cap and deployable bouffant cap according to the present design when the bouffant is in its undeployed state;

FIG. 9 is a perspective view of a combination surgical cap and deployable bouffant cap according to the present design when the bouffant is in its deployed state

FIG. 10 is a front view of a combination surgical cap and deployable bouffant cap according to the present design when the bouffant is in its deployed state;

FIG. 11 is a rear view of the combination surgical cap and deployable bouffant according to the present design when the bouffant is in its deployed state;

FIG. 12 is a section cut view taken along line 12-12 in FIG. 15 of the combination surgical cap and deployable bouffant according to the present design when the bouffant is in its deployed state;

FIG. 13 is a left side view of the combination surgical cap and deployable bouffant cap according to the present design when the bouffant is in its deployed state;

FIG. 14 is a right side view of the combination surgical cap and deployable bouffant cap according to the present design when the bouffant is in its deployed state;

FIG. 15 is a top view of the combination surgical cap and deployable bouffant cap according to the present design when the bouffant is in its deployed state; and,

FIG. 16 is a bottom view of the combination surgical cap and deployable bouffant cap according to the present design when the bouffant is in its deployed state.

The broken-line outline of the partial human figures assists in illustrating how the claimed design may appear when worn, but forms no part of the claimed design. The broken lines along the surfaces of the combination surgical cap and deployable bouffant cap depict environmental structure that forms no part of the claimed design.

1 Claim, 16 Drawing Sheets

(58) Field of Classification Search

CPC .. A42B 1/00; A42B 1/04; A42B 1/041; A42B 1/043; A42B 1/066; A42B 1/12

See application file for complete search history.

(56) References Cited

U.S. PATENT DOCUMENTS

3,249,948 A * 5/1966 Eppolito A42B 1/043
2/195.7
D214,482 S * 6/1969 Zimmon D2/867
4,491,985 A 1/1985 Dalton

5,159,720 A * 11/1992 Scott, Jr. A42B 1/04
2/171
5,161,260 A 11/1992 Reynolds
5,355,535 A 10/1994 Bruder
5,649,327 A 7/1997 Crewe
5,685,017 A 11/1997 Kraft
5,920,909 A * 7/1999 Ellsworth A41D 23/00
132/273
6,021,525 A 2/2000 Mertins
6,163,886 A 12/2000 Carter
6,481,020 B1 * 11/2002 Kirkland A42B 1/041
2/171
D517,284 S * 3/2006 Black D2/867
D519,262 S * 4/2006 Davis D2/878
D539,011 S 3/2007 Molesky
D547,030 S * 7/2007 Marquardt D2/867
D572,879 S * 7/2008 Marquardt D2/867
D591,485 S 5/2009 Cho
D610,779 S * 3/2010 Rhodes D2/867
D624,284 S * 9/2010 Creel D2/867
D641,140 S * 7/2011 Clarke D2/867
8,024,818 B1 9/2011 Davenport
D658,853 S * 5/2012 Hart D2/867
D747,855 S * 1/2016 Corcoran D2/875
9,439,466 B2 9/2016 Woo
9,907,381 B2 * 3/2018 Tussey A45D 8/40
D815,807 S * 4/2018 Genender D2/867
2005/0144702 A1 7/2005 Whitney
2006/0272073 A1 12/2006 Marquardt
2014/0026284 A1 1/2014 Yates
2014/0299795 A1 10/2014 Cohen
2014/0359918 A1 12/2014 Oates
2015/0067947 A1 3/2015 Kang
2018/0007989 A1 1/2018 Genender et al.
2019/0045864 A1 * 2/2019 Teat A42B 1/043

FOREIGN PATENT DOCUMENTS

CN 206275198 U 6/2017
DE 7931662 U1 2/1980
DE 102016103508 A1 10/2016
GB 353685 A 7/1931
JP 2002242019 A 8/2002
JP 3110940 * 7/2006
JP 3125153 * 9/2006
JP 2010126866 A 6/2010
JP 3162955 U 9/2010
KR 200366134 Y1 11/2004

OTHER PUBLICATIONS

“Turning a Light Bulb Idea into Reality,” [on-line article], [article published to the Internet on Sep. 12, 2018]; [retrieved from the Internet on Jul. 30, 2019]; URL: <https://healthbeat.spectrumhealth.org/turning-a-light-bulb-idea-into-reality-surgical-skull-caps-bouffant/>. (5 pgs). (Year: 2018).*
International Search Report and Written Opinion for PCT/IB2018/056063, dated Nov. 30, 2018, 11 pages.

* cited by examiner

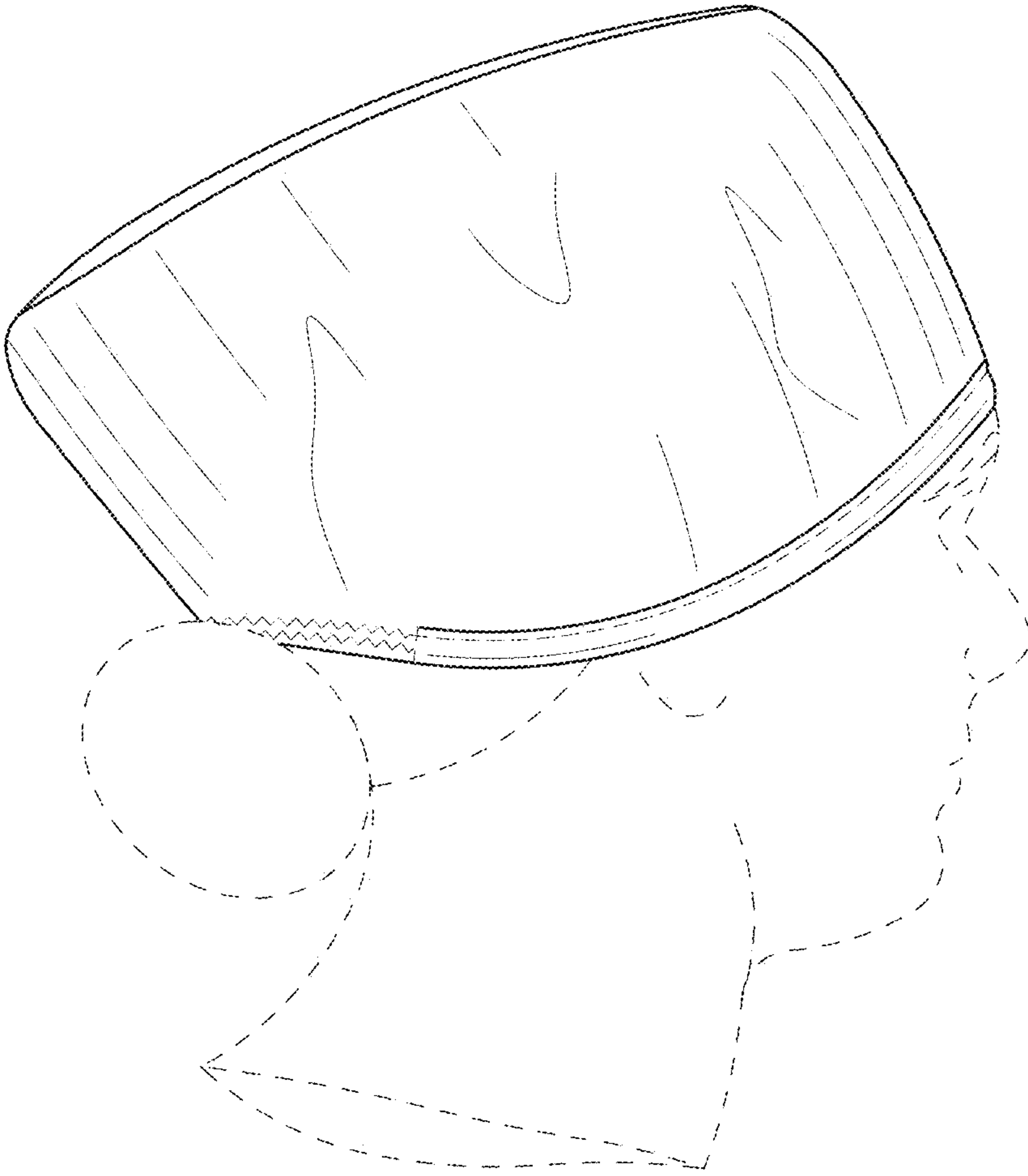


FIG. 1

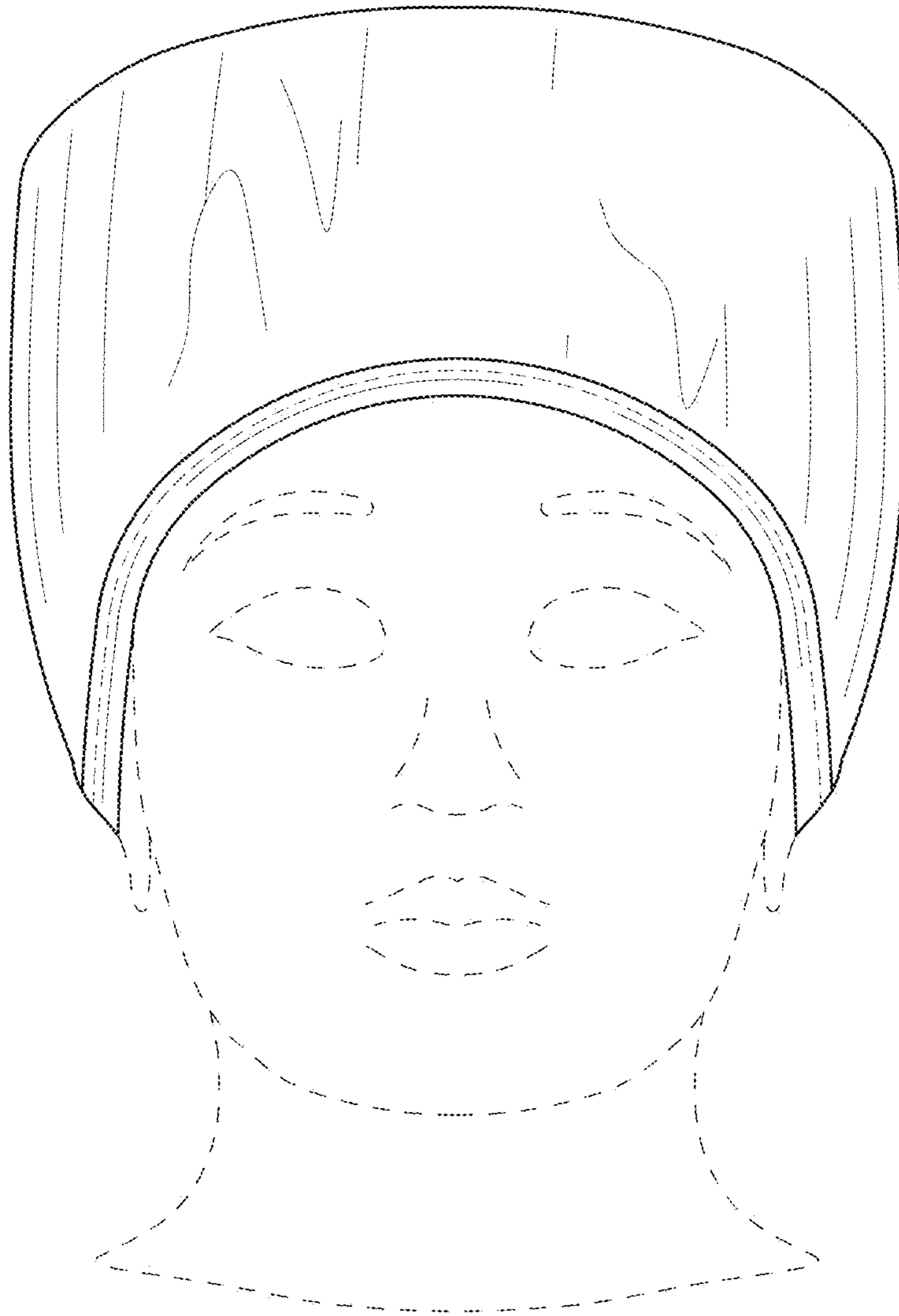


FIG. 2

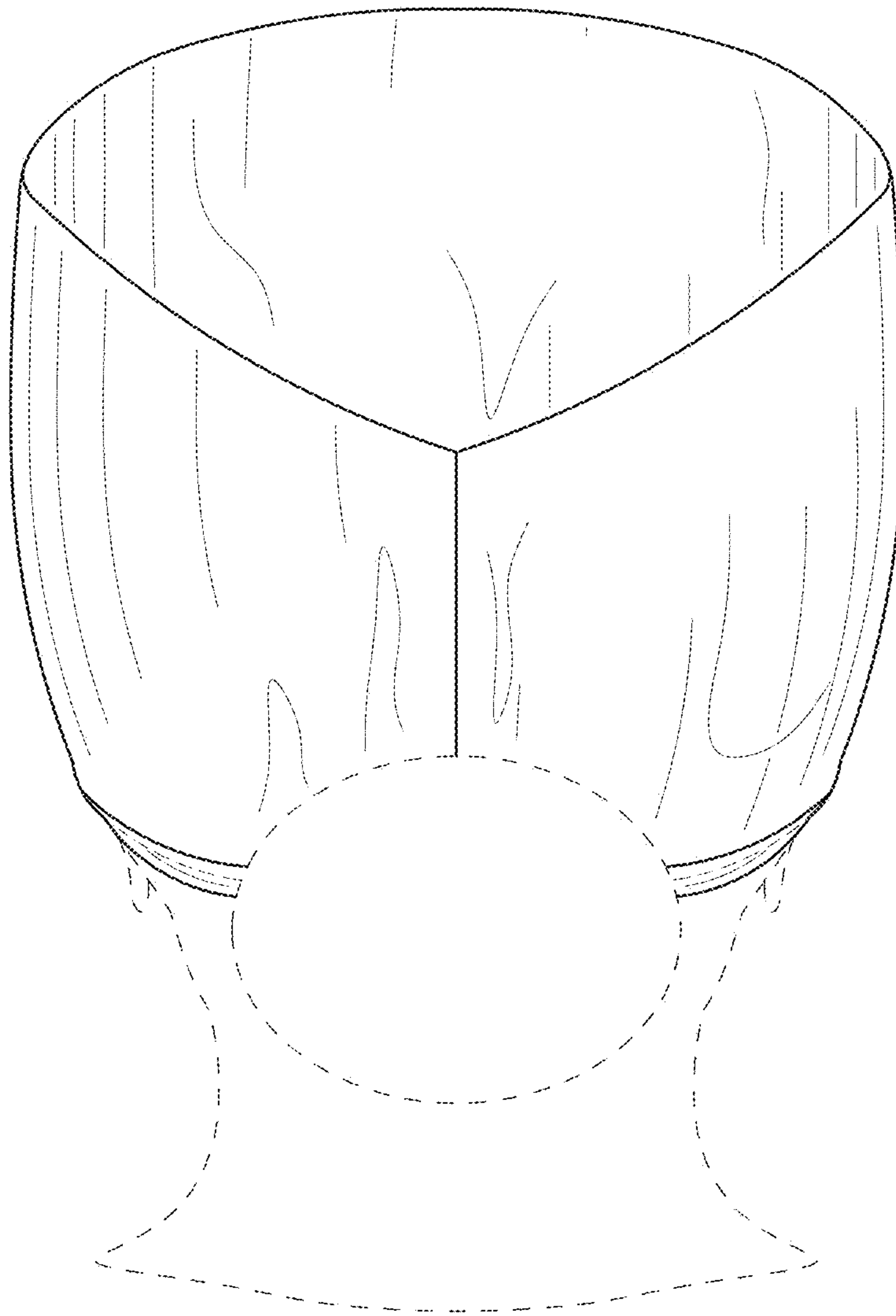


FIG. 3

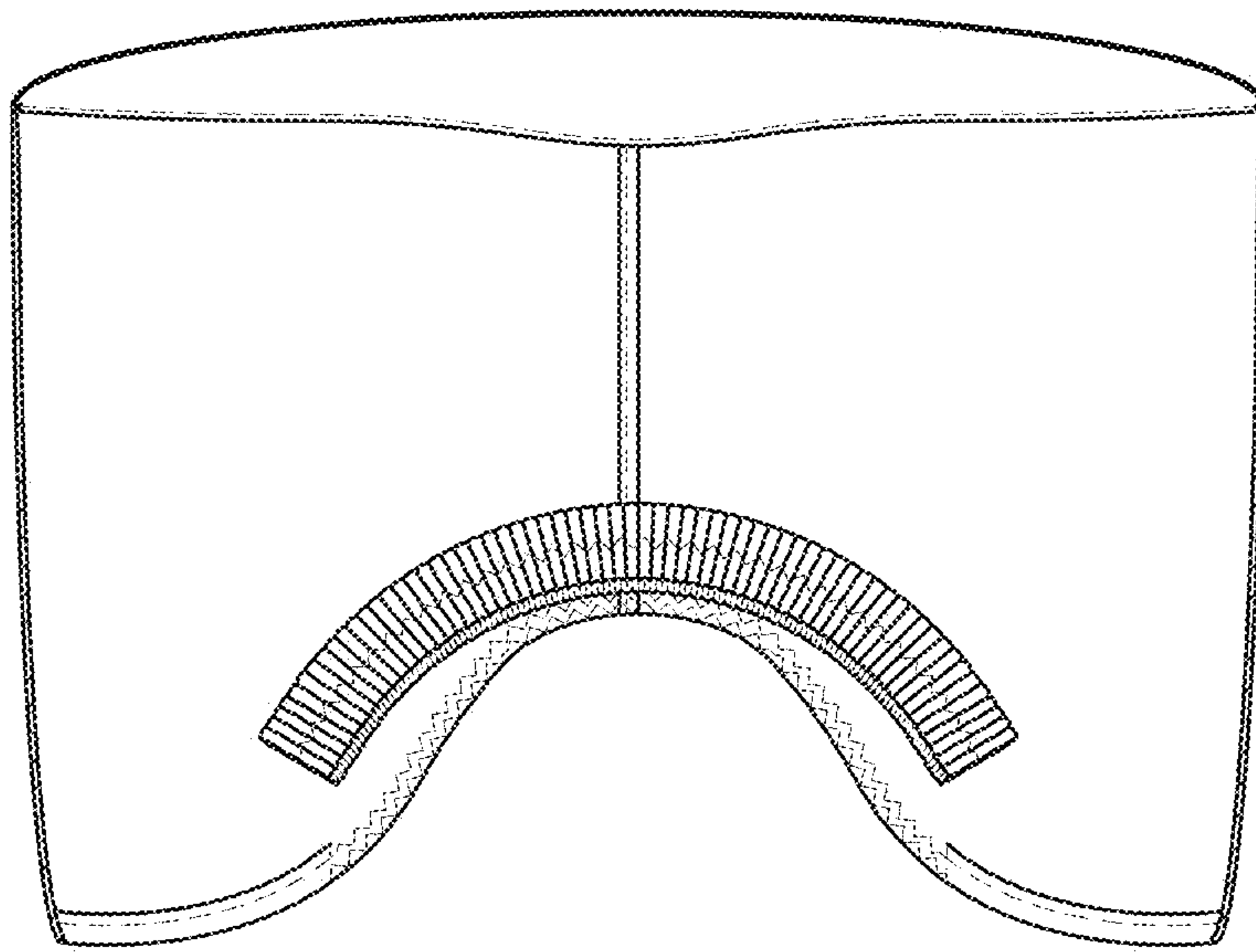


FIG. 4

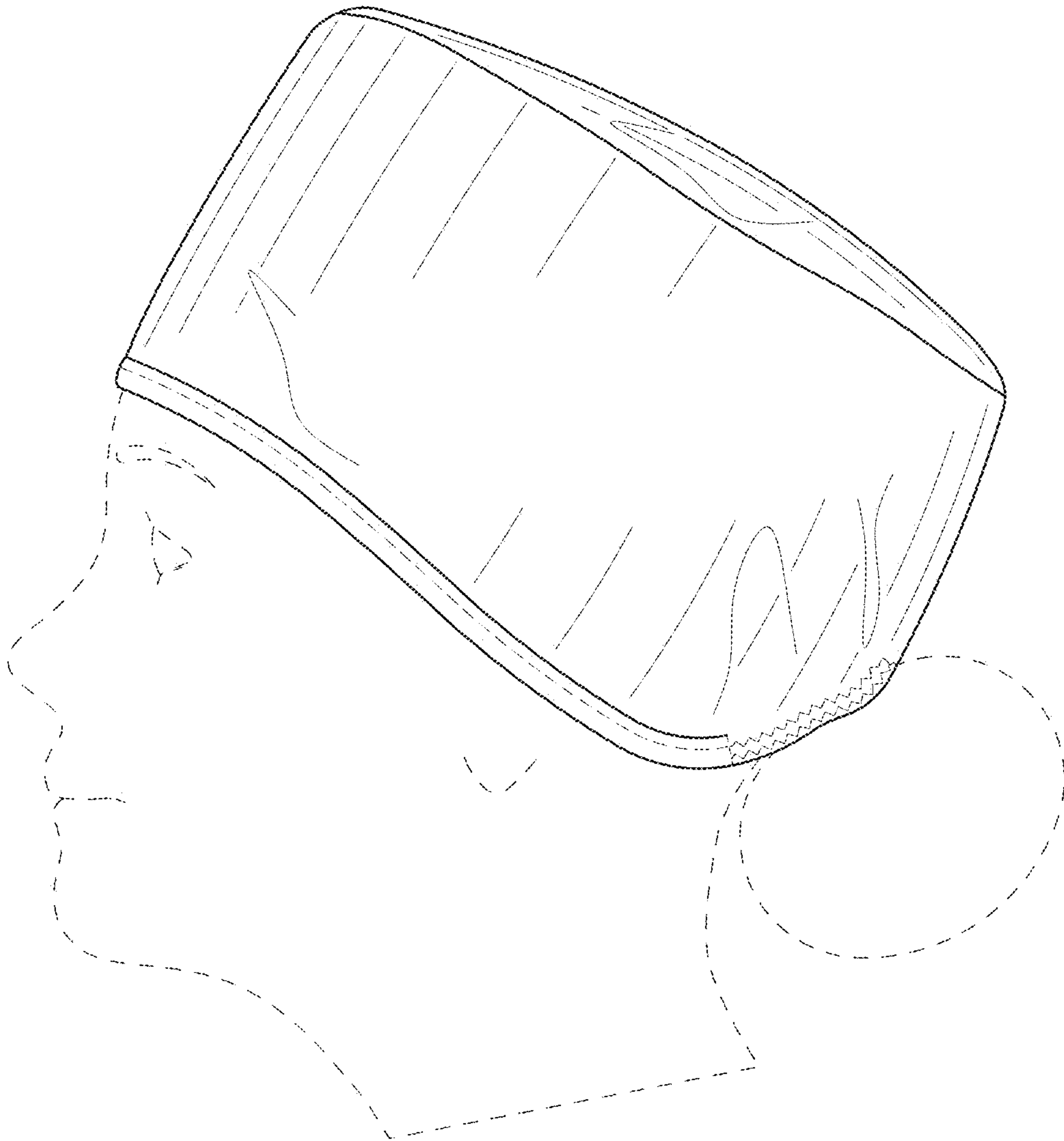


FIG. 5

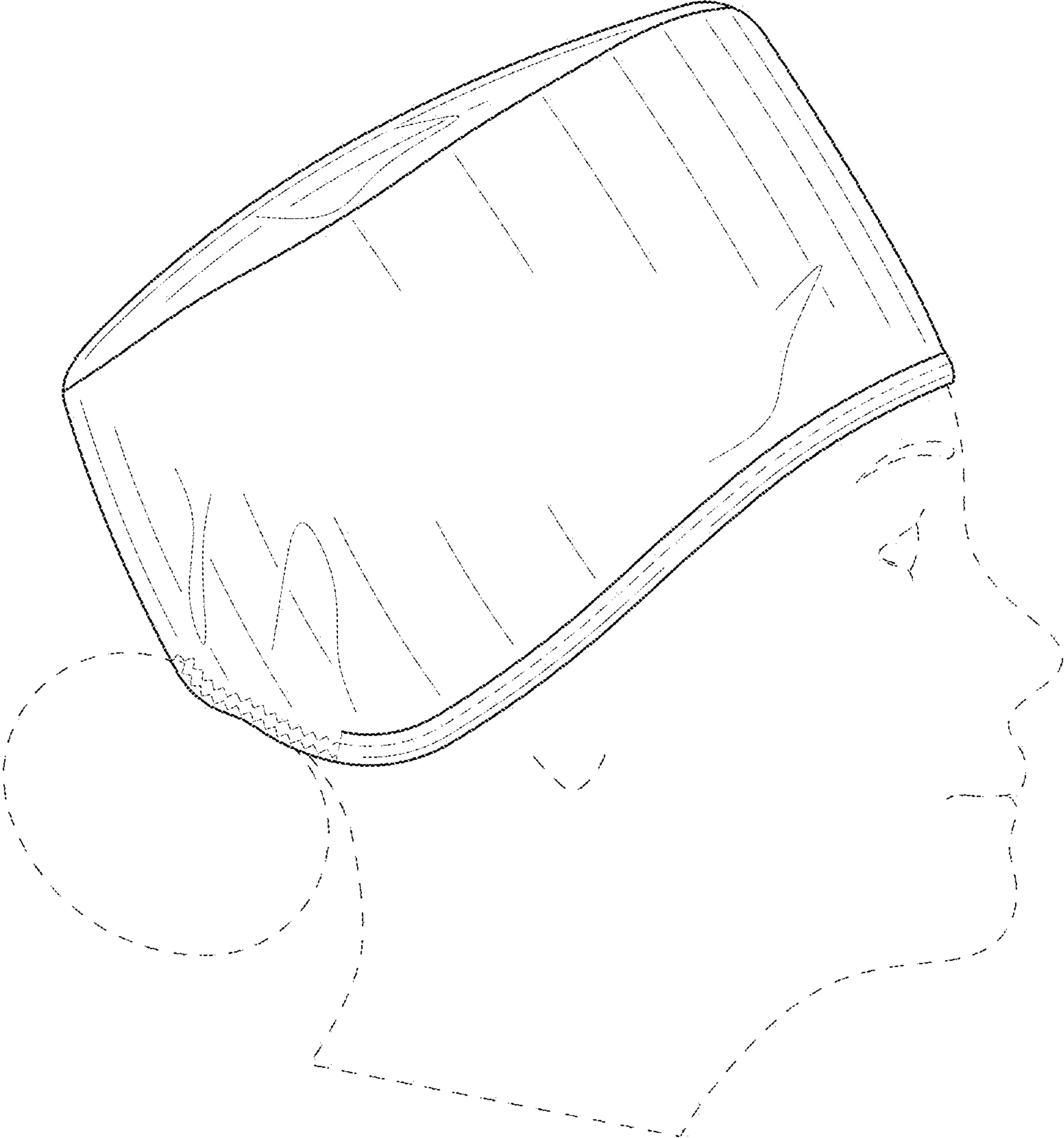


FIG. 6

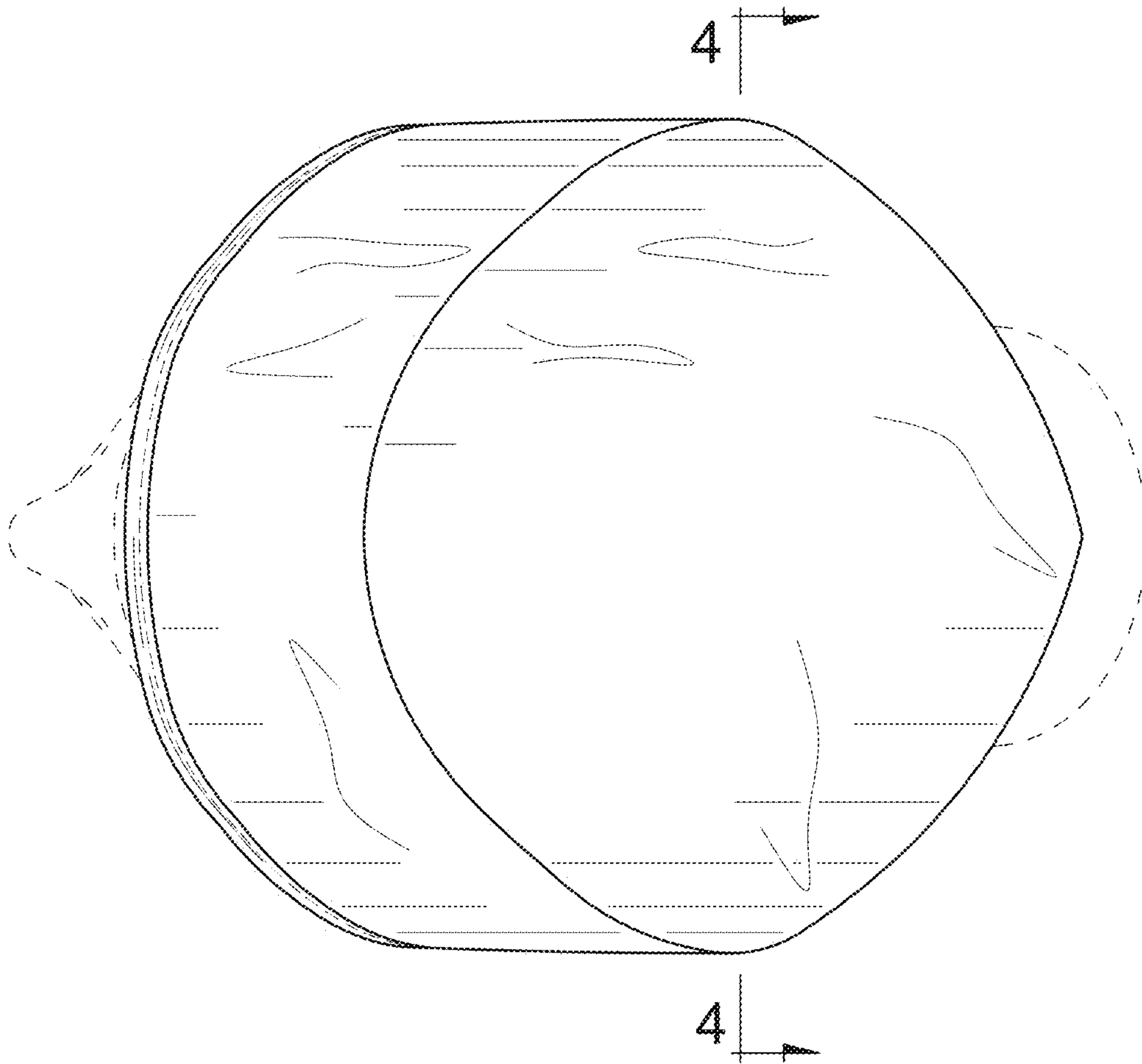


FIG. 7

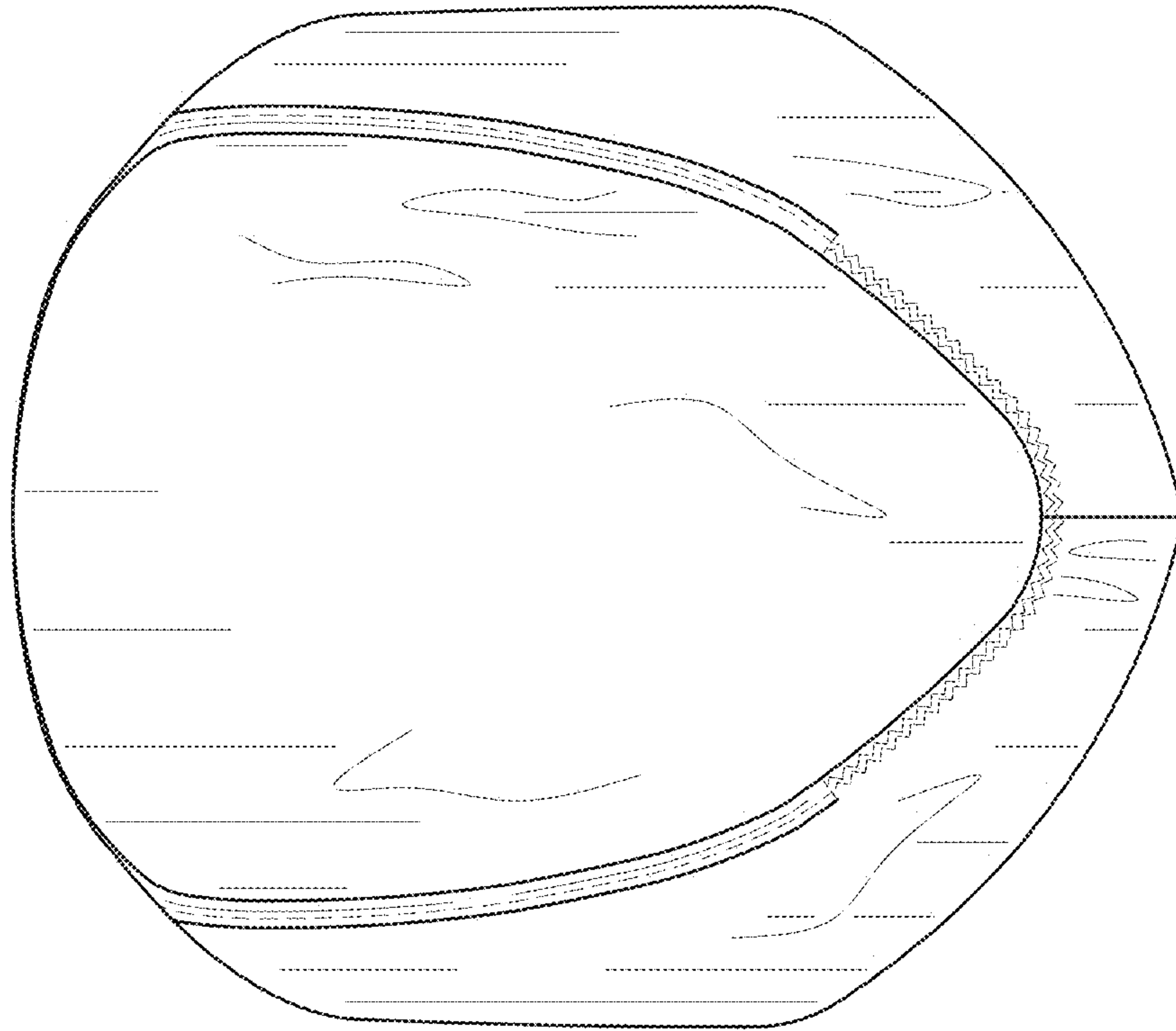


FIG. 8



FIG. 9

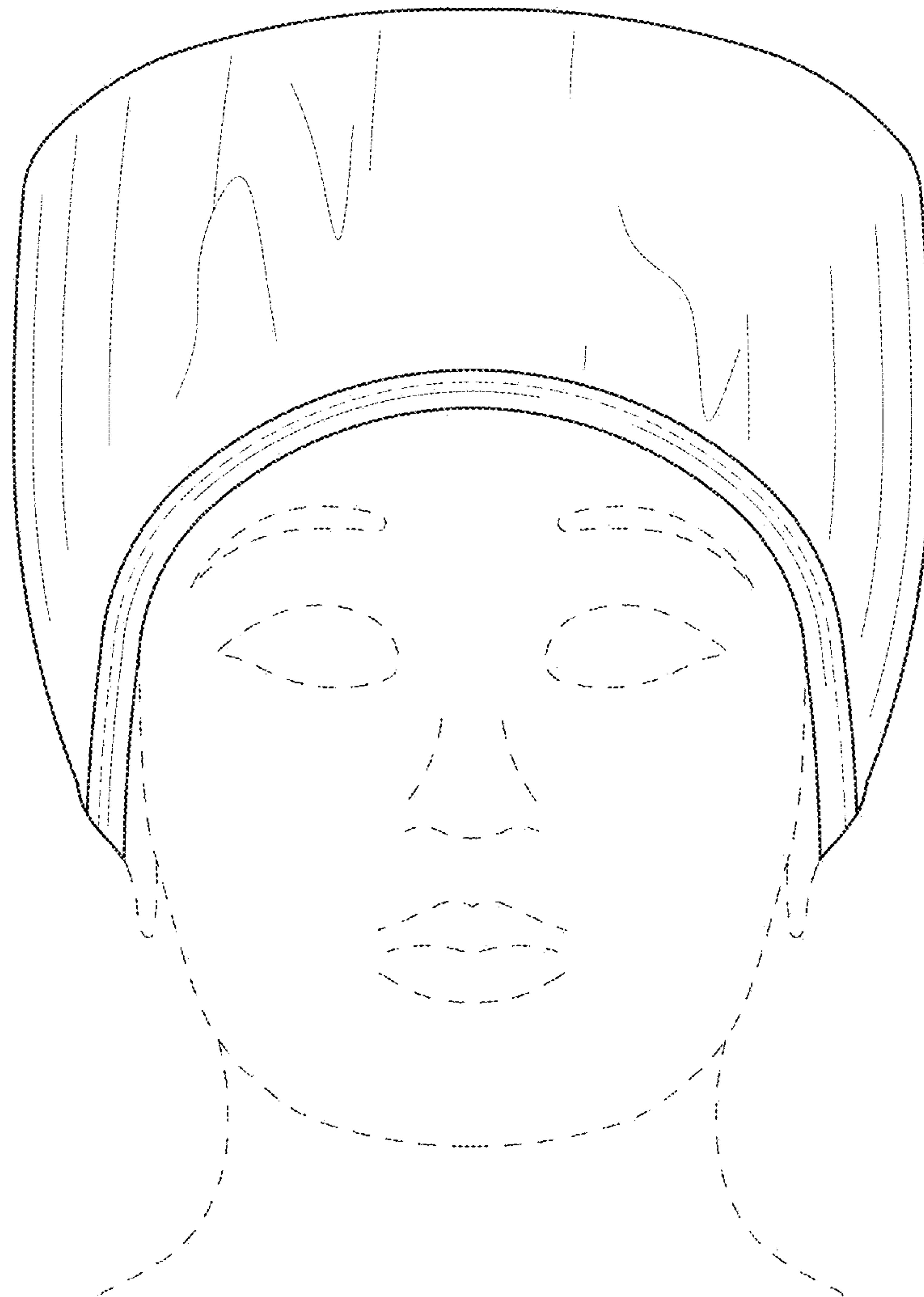


FIG. 10

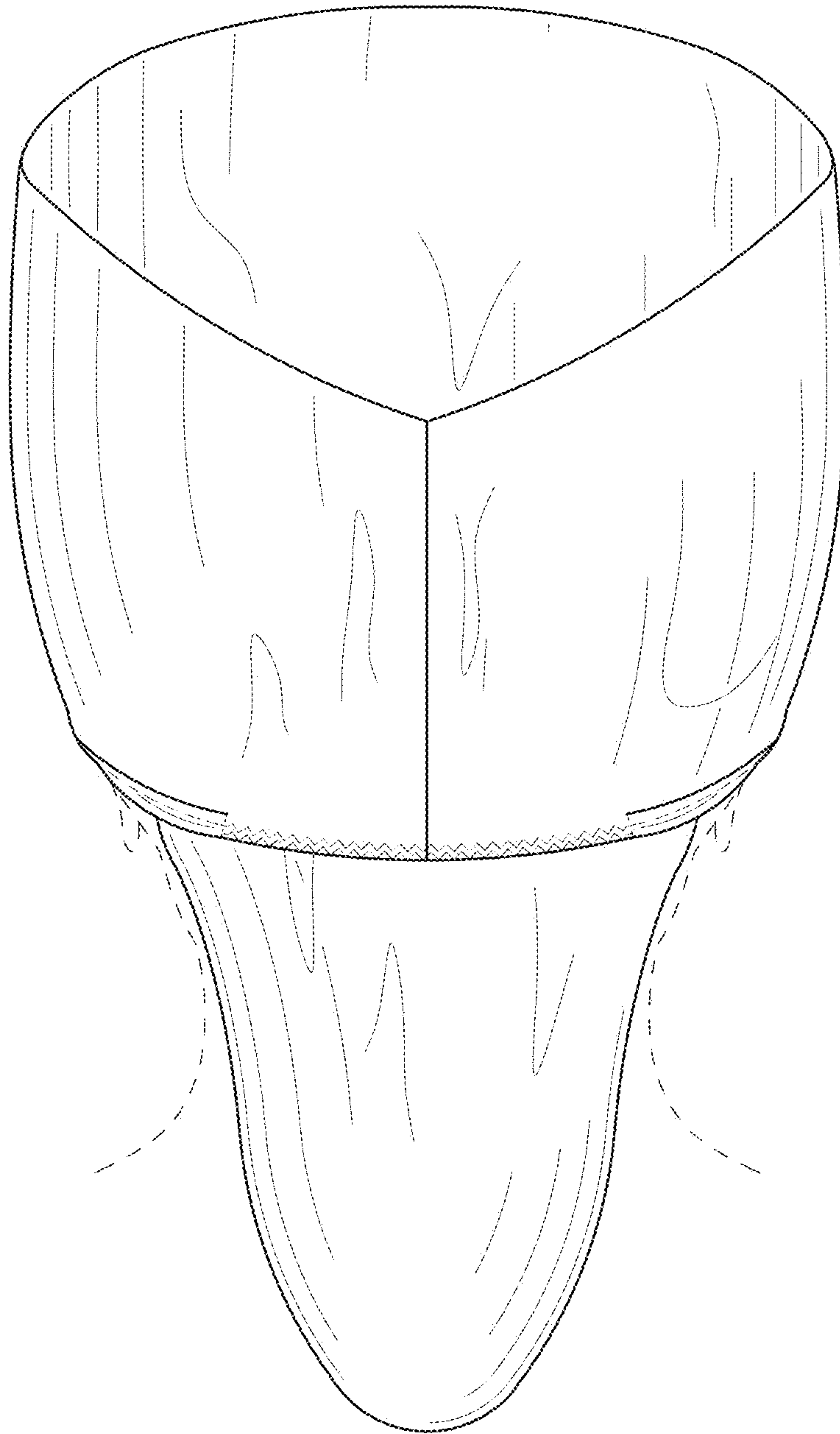


FIG. 11

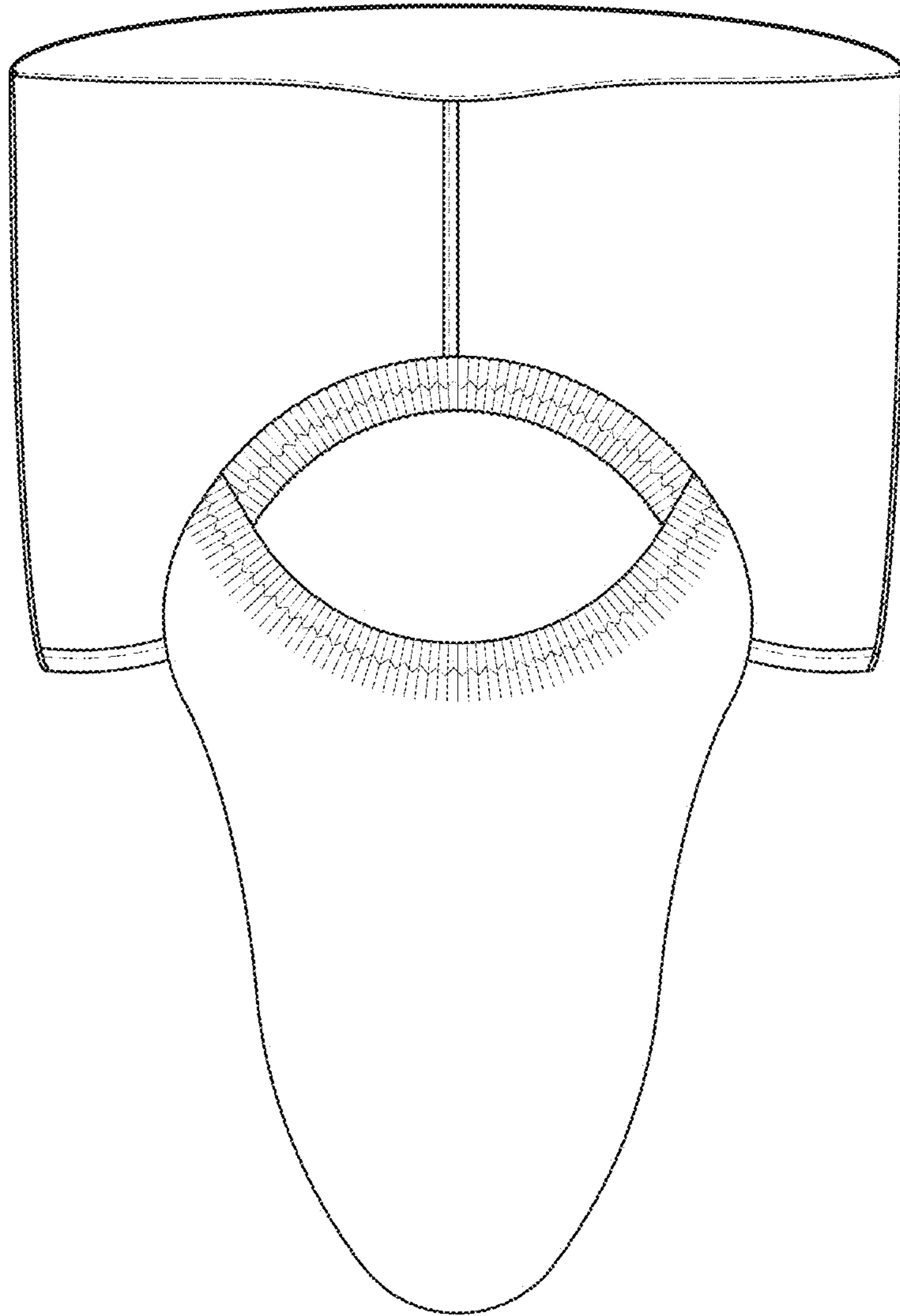


FIG. 12

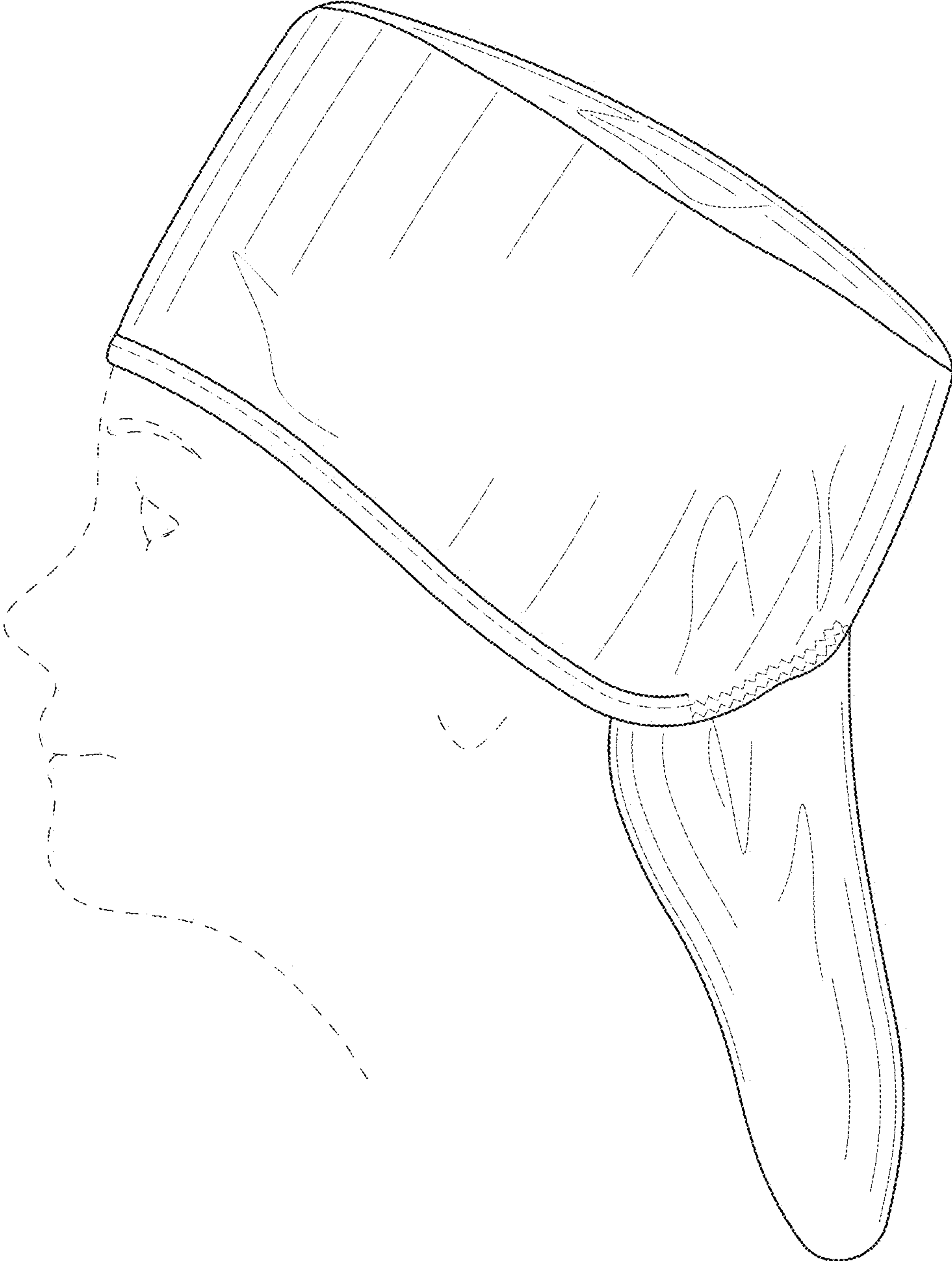


FIG. 13

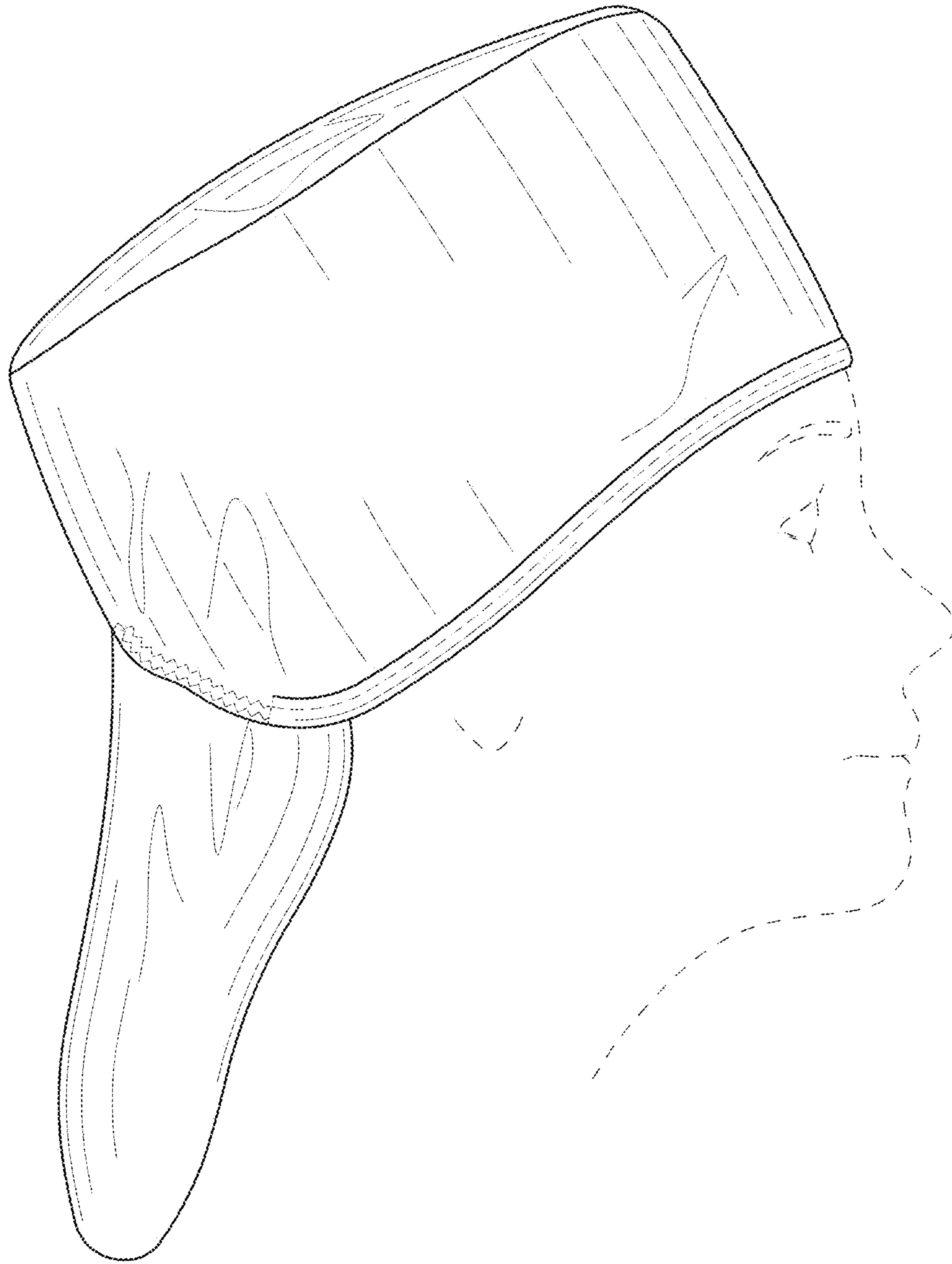


FIG. 14

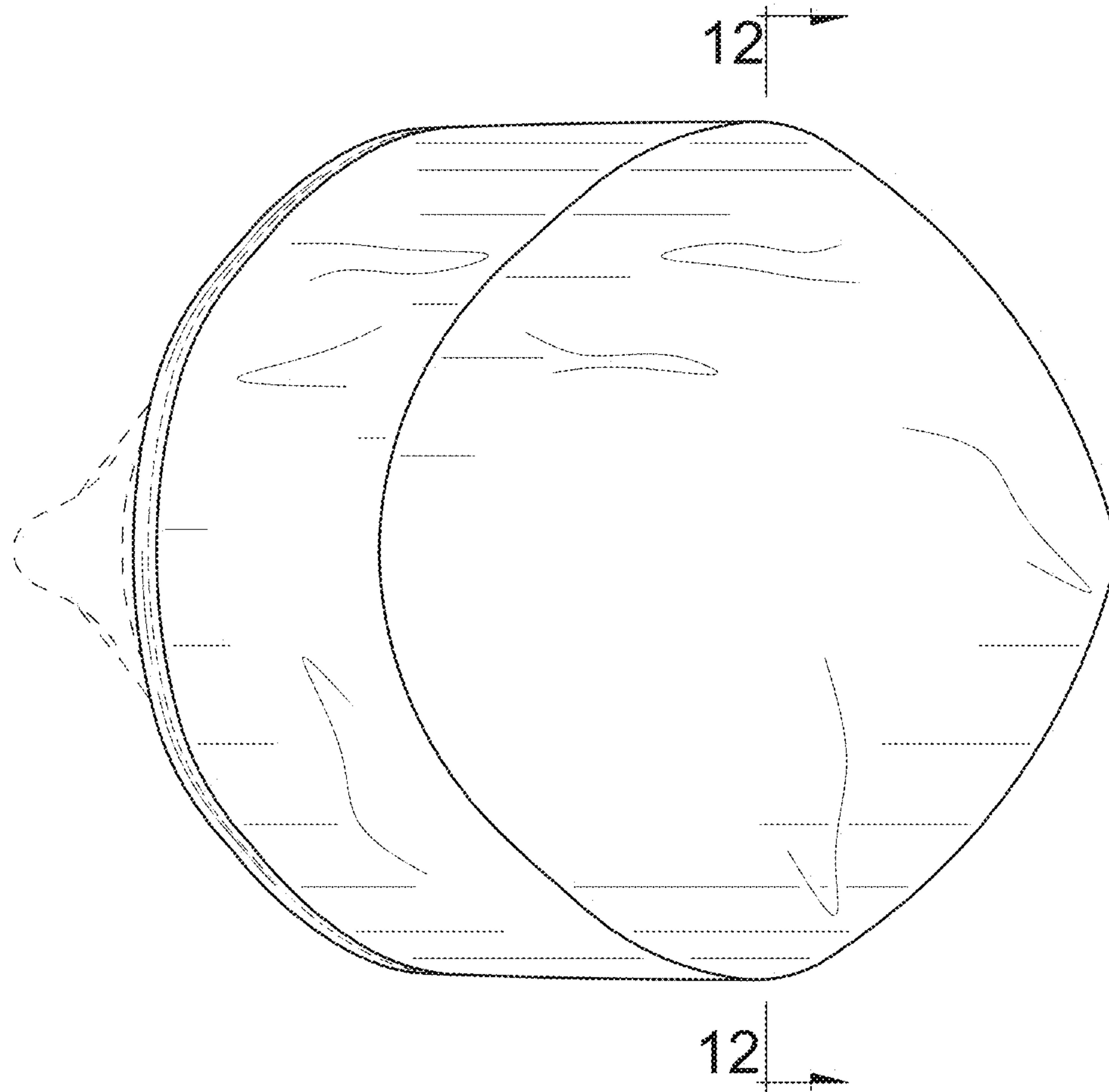


FIG. 15

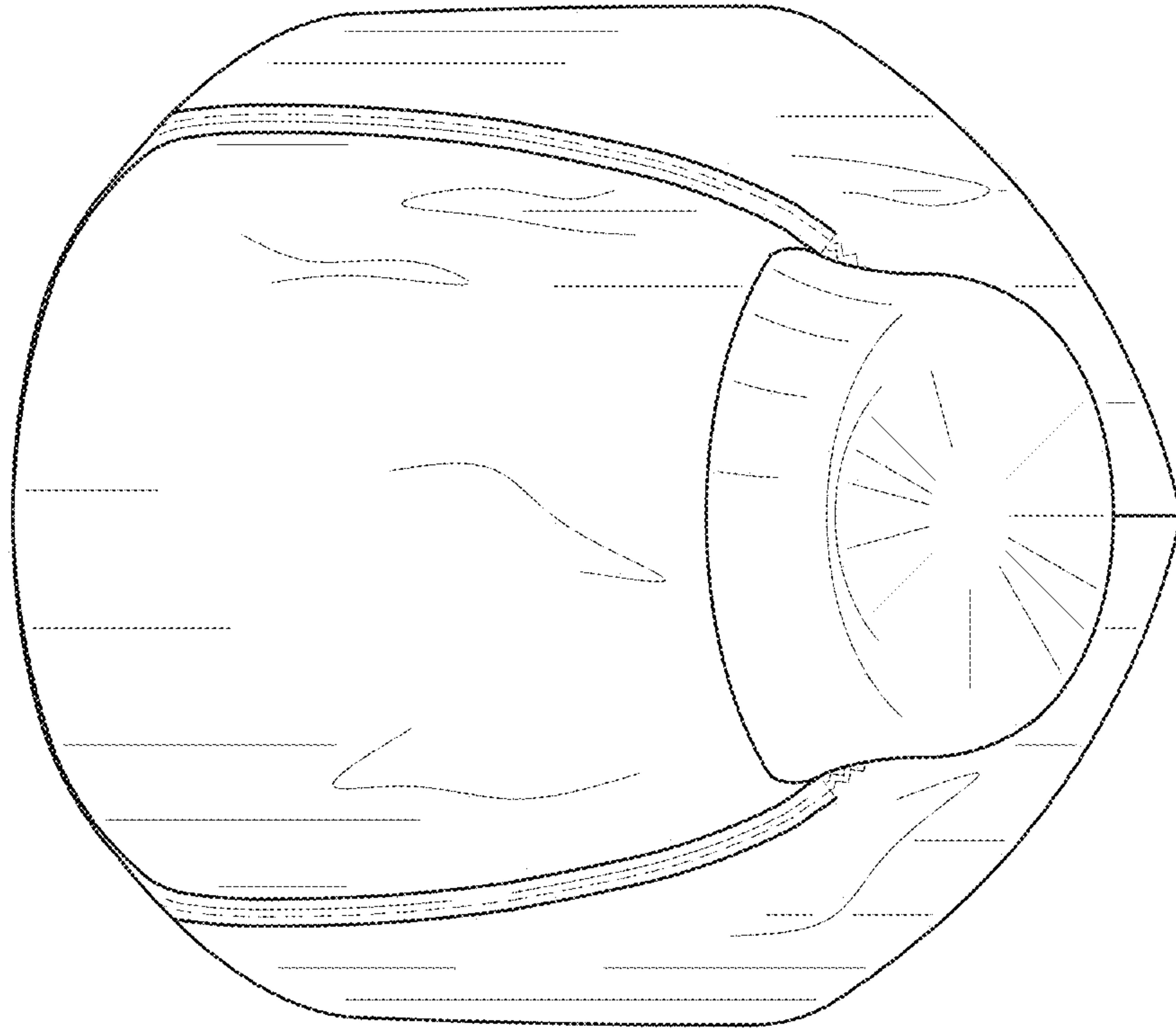


FIG. 16