



US00D877453S

(12) **United States Design Patent**
Nacif Benavides

(10) **Patent No.:** **US D877,453 S**
(45) **Date of Patent:** **** Mar. 10, 2020**

- (54) **UNDERWEAR**
- (71) Applicant: **Rounderbum LLC**, West Hollywood, CA (US)
- (72) Inventor: **Jamil Nacif Benavides**, Mexico City (MX)
- (73) Assignee: **Rounderbum LLC.**, West Hollywood, CA (US)
- (**) Term: **15 Years**
- (21) Appl. No.: **29/618,461**
- (22) Filed: **Sep. 21, 2017**
- (51) **LOC (12) Cl.** **02-01**
- (52) **U.S. Cl.**
USPC **D2/712**
- (58) **Field of Classification Search**
USPC D2/700, 711-717, 731-738, 742, 748,
D2/857, 728, 860-864
CPC A41B 11/00; A41B 9/02; A41B 9/023;
A41D 1/08; A41D 1/06; A63B 71/1216;
A63B 71/12
See application file for complete search history.

- 7,065,797 B1 * 6/2006 Chen A41B 9/02
2/400
- D548,928 S * 8/2007 Wong D2/731
- D581,128 S * 11/2008 Blumenfeld D2/704
- 7,676,853 B1 * 3/2010 Cutlip A41B 9/023
2/400
- 2009/0178182 A1 * 7/2009 Dahlquist A41B 9/02
2/401
- 2012/0167279 A1 * 7/2012 Bigney A41B 9/02
2/401
- 2012/0167280 A1 * 7/2012 Adams A41B 9/023
2/403

* cited by examiner

Primary Examiner — Rashida C. Walshon

(74) *Attorney, Agent, or Firm* — Treasure IP Group, LLC

(57) **CLAIM**

The ornamental design for underwear, as shown and described.

DESCRIPTION

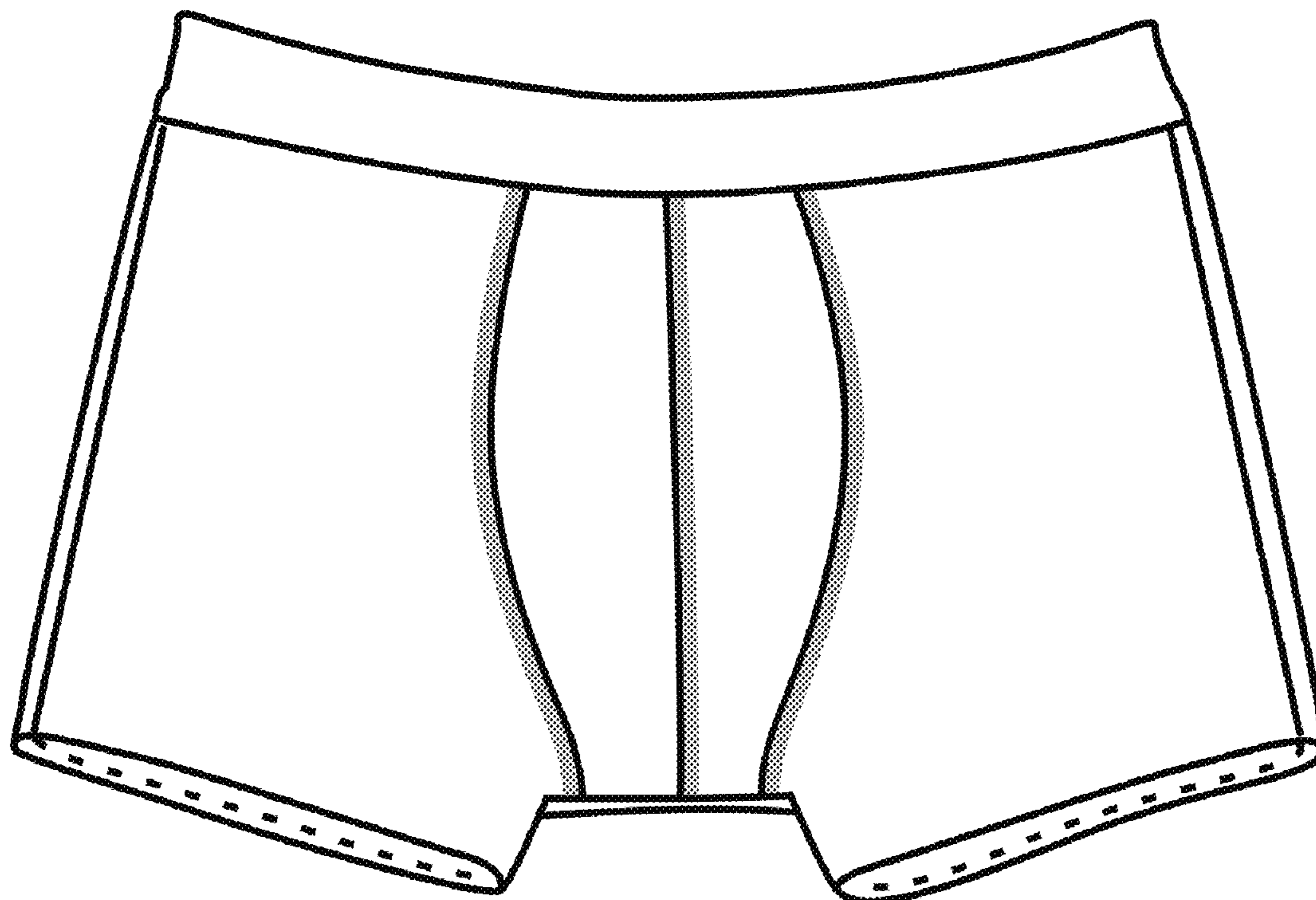
FIG. 1 is a back elevation view of a underwear, showing my new design;
 FIG. 2 is a front elevation view thereof;
 FIG. 3 is a right side view thereof;
 FIG. 4 is a left side view thereof;
 FIG. 5 is a top view of thereof; and,
 FIG. 6 is a bottom view thereof.
 The grey lines in the front portion of the under indicate contrast.
 The broken lines of the pants portion of the underwear are stitch lines, represent an environment and form no part of the claimed design.

(56) **References Cited**

U.S. PATENT DOCUMENTS

- D423,188 S * 4/2000 Raffali D2/700
- 6,145,132 A * 11/2000 Towner A41B 9/02
2/400
- D445,239 S * 7/2001 Harris A41B 9/02
D2/712

1 Claim, 6 Drawing Sheets



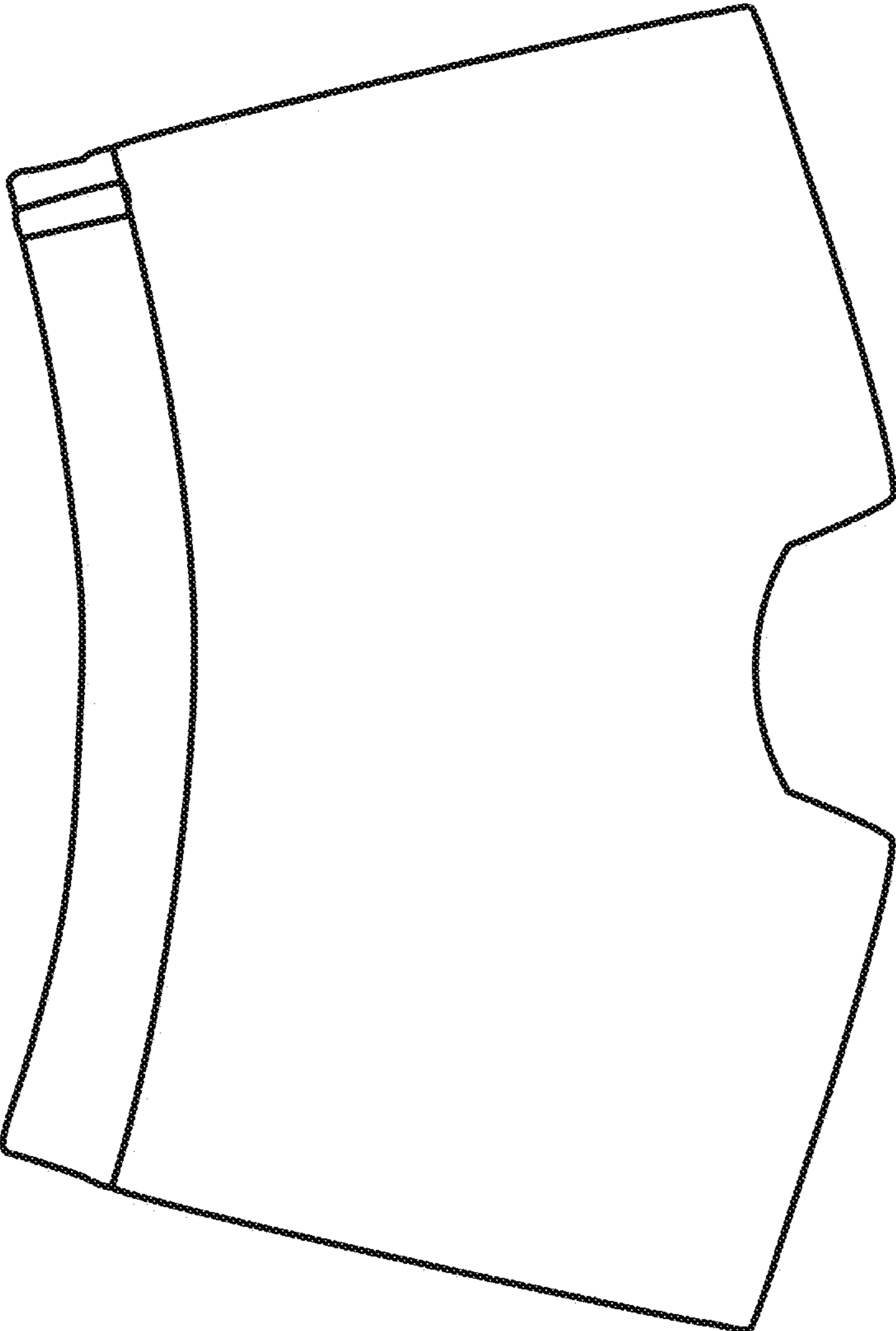


FIG. 1

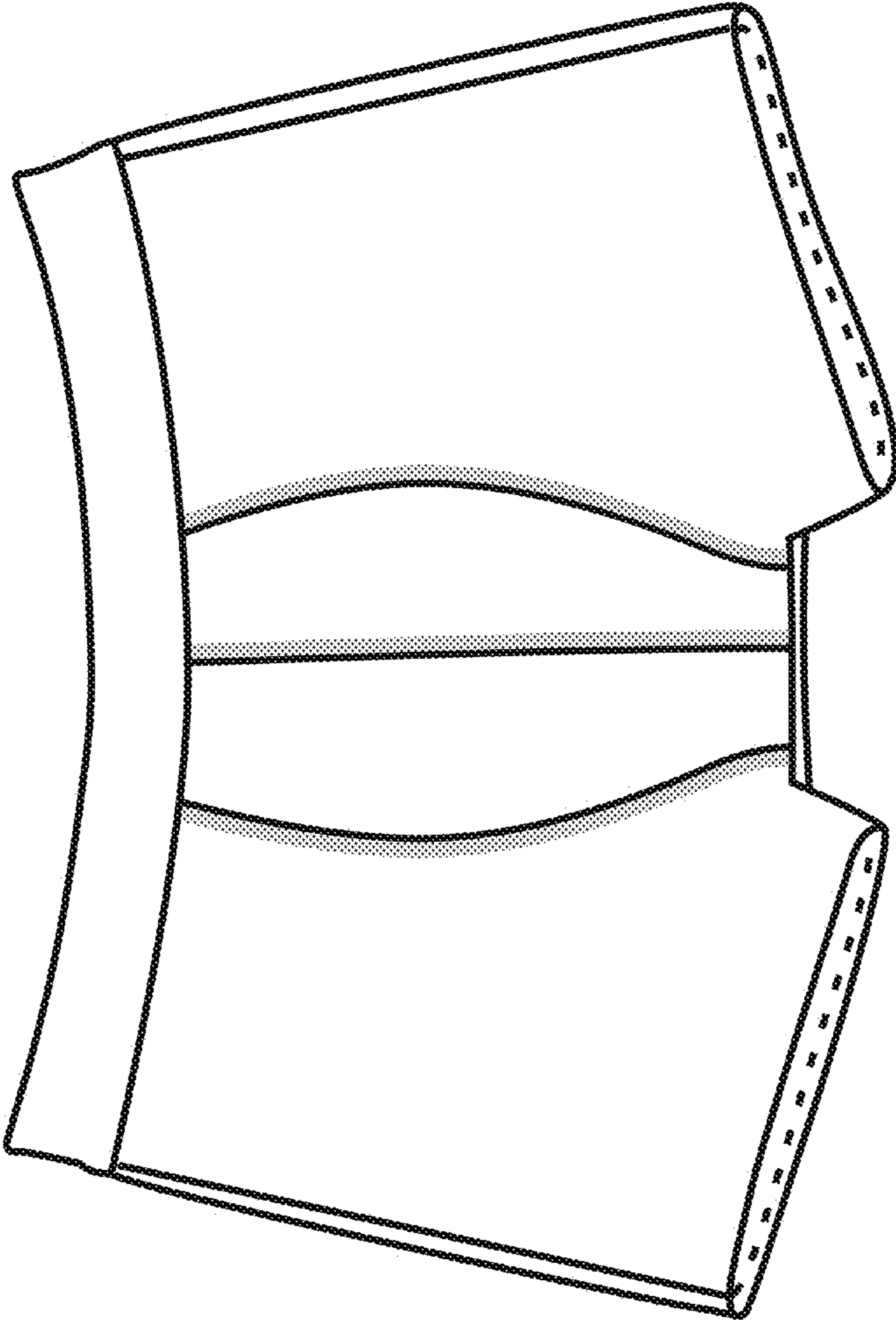


FIG. 2

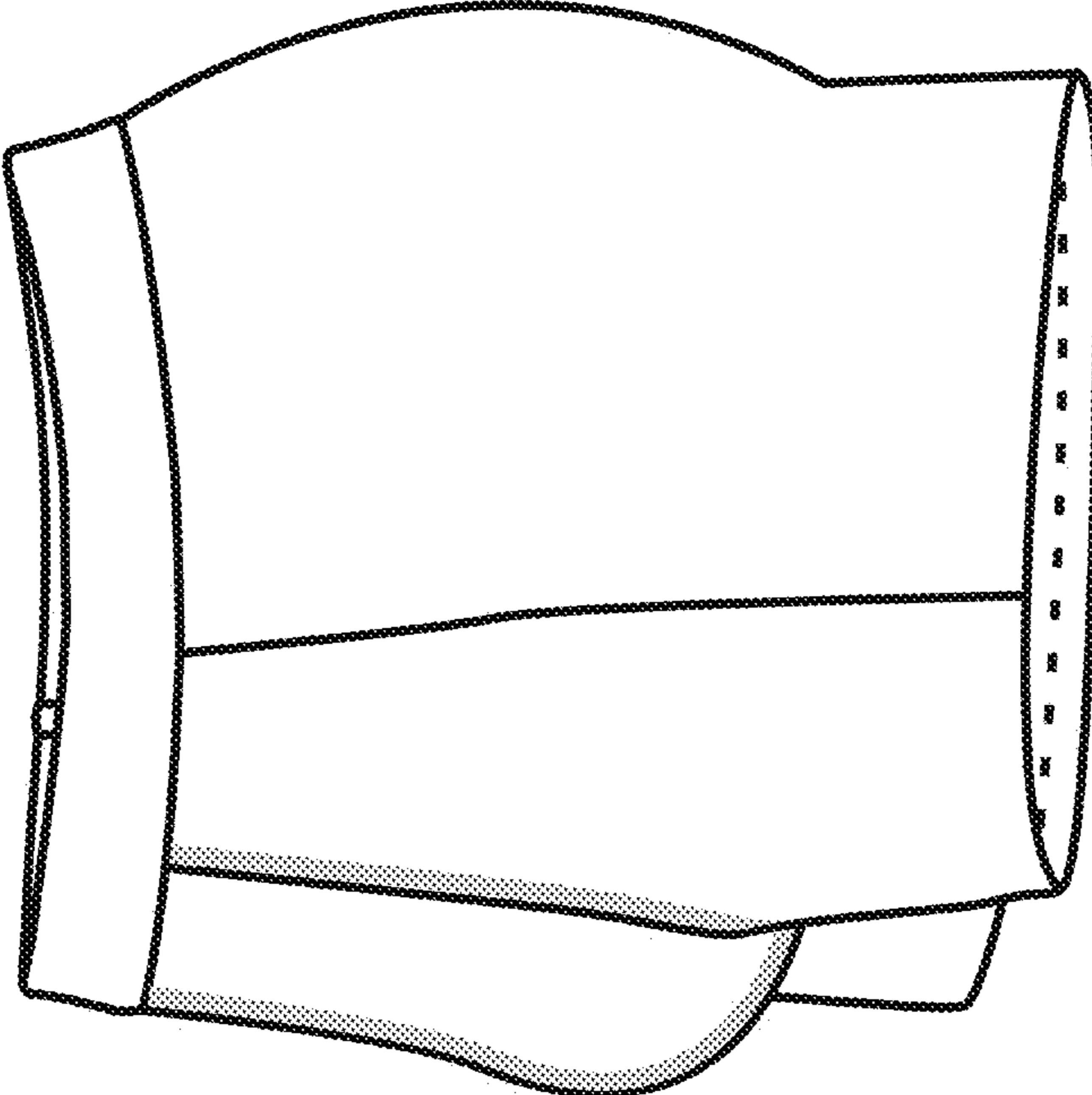


FIG. 3

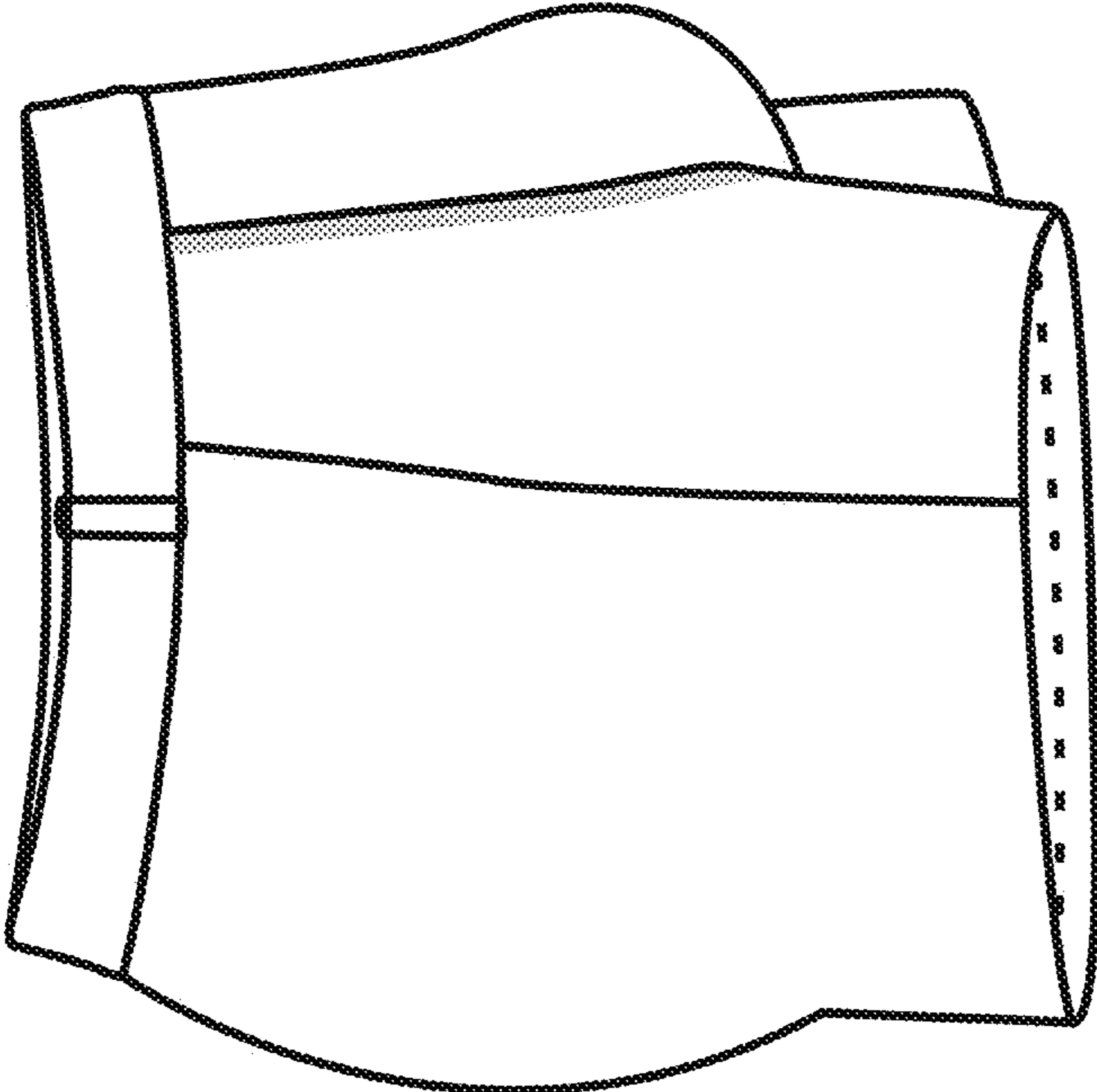


FIG. 4

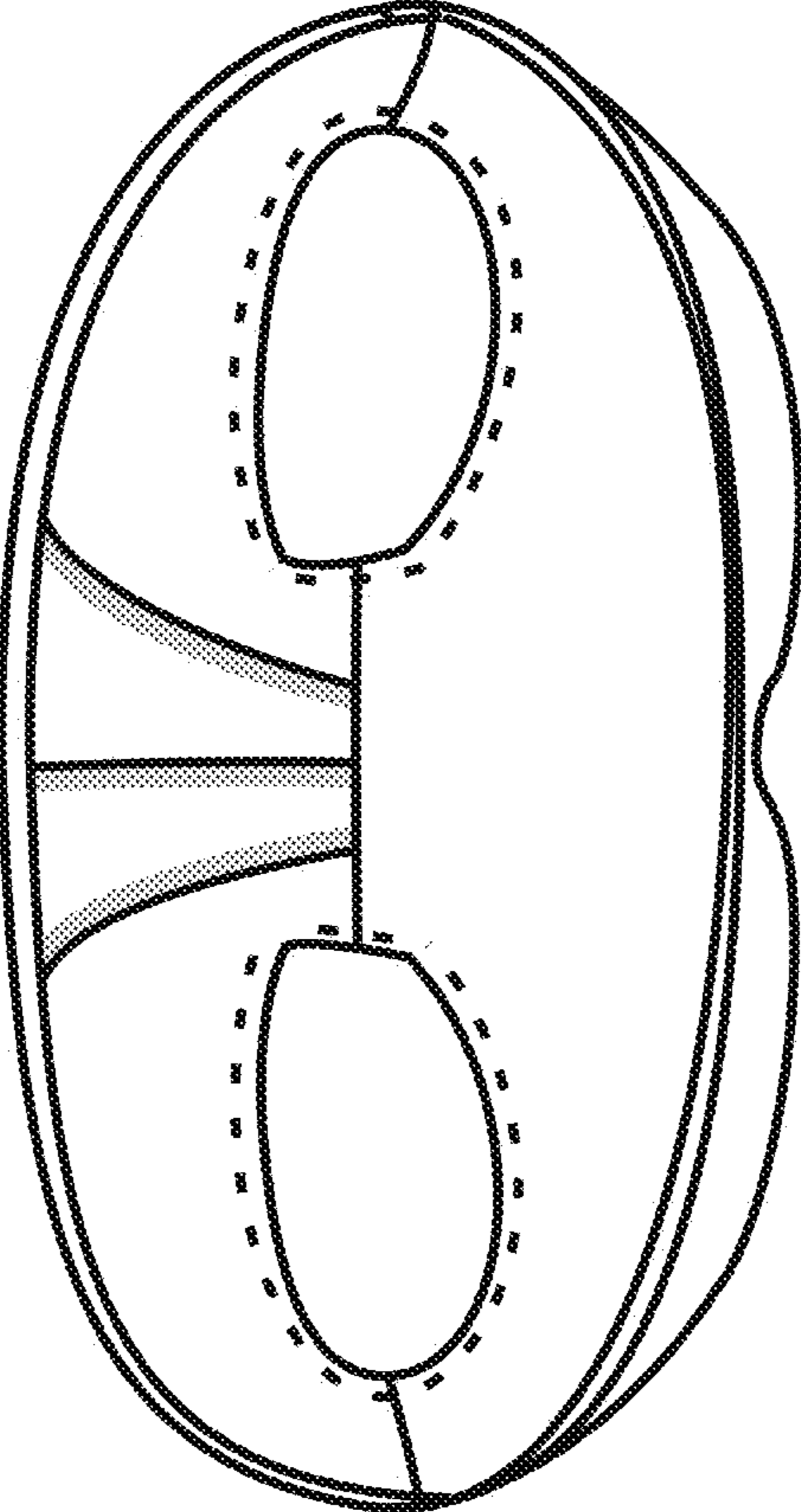


FIG. 5

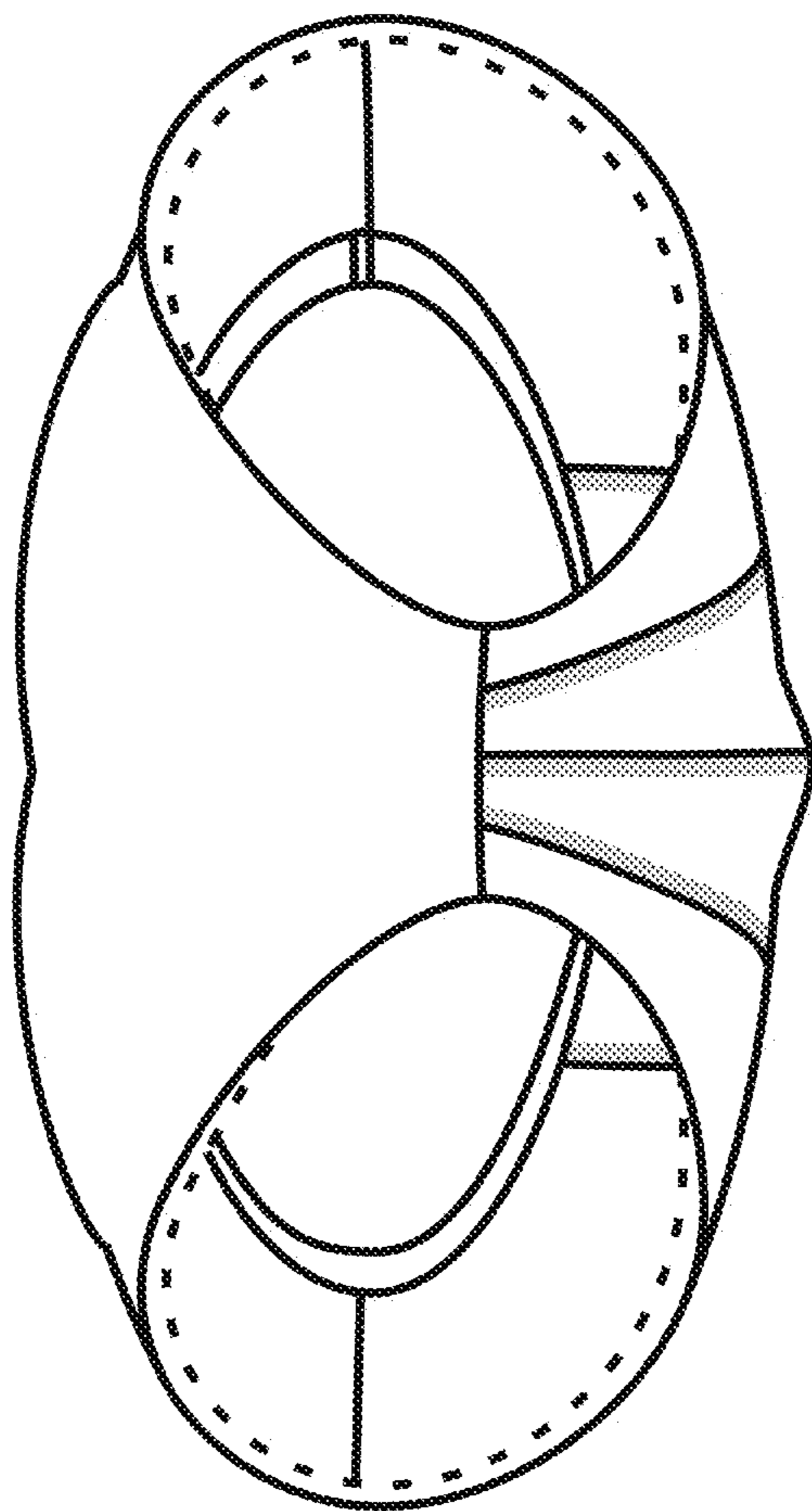


FIG. 6