



US00D877445S

(12) **United States Design Patent**
Kunkler

(10) **Patent No.:** **US D877,445 S**

(45) **Date of Patent:** **** Mar. 3, 2020**

(54) **PIVOTABLE TRANSFER CONTAINER FOR MOUNTING IN A BUILDING WALL**

(71) Applicant: **Brian A. Kunkler**, Portland, IN (US)

(72) Inventor: **Brian A. Kunkler**, Portland, IN (US)

(**) Term: **15 Years**

(21) Appl. No.: **29/666,601**

(22) Filed: **Oct. 15, 2018**

(51) **LOC (12) Cl.** **99-00**

(52) **U.S. Cl.**
USPC **D99/43**; D99/33

(58) **Field of Classification Search**
USPC D99/28, 29, 30, 31, 33, 43, 99; D8/400;
49/161, 166; 232/1 R, 1 A, 1 B, 1 C, 1 E,
232/17, 19, 20, 21, 22, 23, 24, 25, 27, 28,
232/30, 38
CPC A47G 29/00; A47G 29/12; A47G 29/1201;
A47G 29/1203; A47G 29/1207; A47G
29/1209; A47G 29/12095; A47G 29/1216;
A47G 29/1218; A47G 29/122; A47G
29/1223; A47G 29/1251; A47G 29/16;
A47G 2029/12105
See application file for complete search history.

(56) **References Cited**

U.S. PATENT DOCUMENTS

483,525	A *	10/1892	Becket	A47G 29/12 232/20
D25,400	S *	4/1896	Hadley	D99/33
D27,017	S *	5/1897	Weller	D99/33
715,240	A *	12/1902	Birely	A47G 29/12 232/28
724,092	A *	3/1903	Forney	A47G 29/1209 232/17
962,281	A *	6/1910	Westelin	A47G 29/1209 232/33

D49,163	S *	6/1916	Sickles	D99/33
1,738,821	A *	12/1929	Gibson	A47B 71/00 211/88.01
D140,425	S *	2/1945	Johnson	D99/33
2,507,785	A *	5/1950	Hartman	A47G 29/1223 232/19
2,578,691	A *	12/1951	Gieseler	A47G 29/12 232/38
2,578,692	A *	12/1951	Gieseler	A47G 29/12 232/19
D166,748	S *	5/1952	Gosweiler	D99/33
D176,539	S *	1/1956	Levine	D99/33
D183,941	S *	11/1958	Masso	D99/33
D183,942	S *	11/1958	Masso	D99/33
2,860,830	A *	11/1958	Mrenza	A47G 29/12 232/17
D184,168	S *	12/1958	Cornell	D99/33
D189,169	S *	11/1960	Blumenthal	D99/33
D217,039	S *	3/1970	Corkery	D99/33
D219,487	S *	12/1970	Blumberg	D99/33

(Continued)

Primary Examiner — Elizabeth J Oswecki

(74) *Attorney, Agent, or Firm* — Jacox, Meckstroth & Jenkins

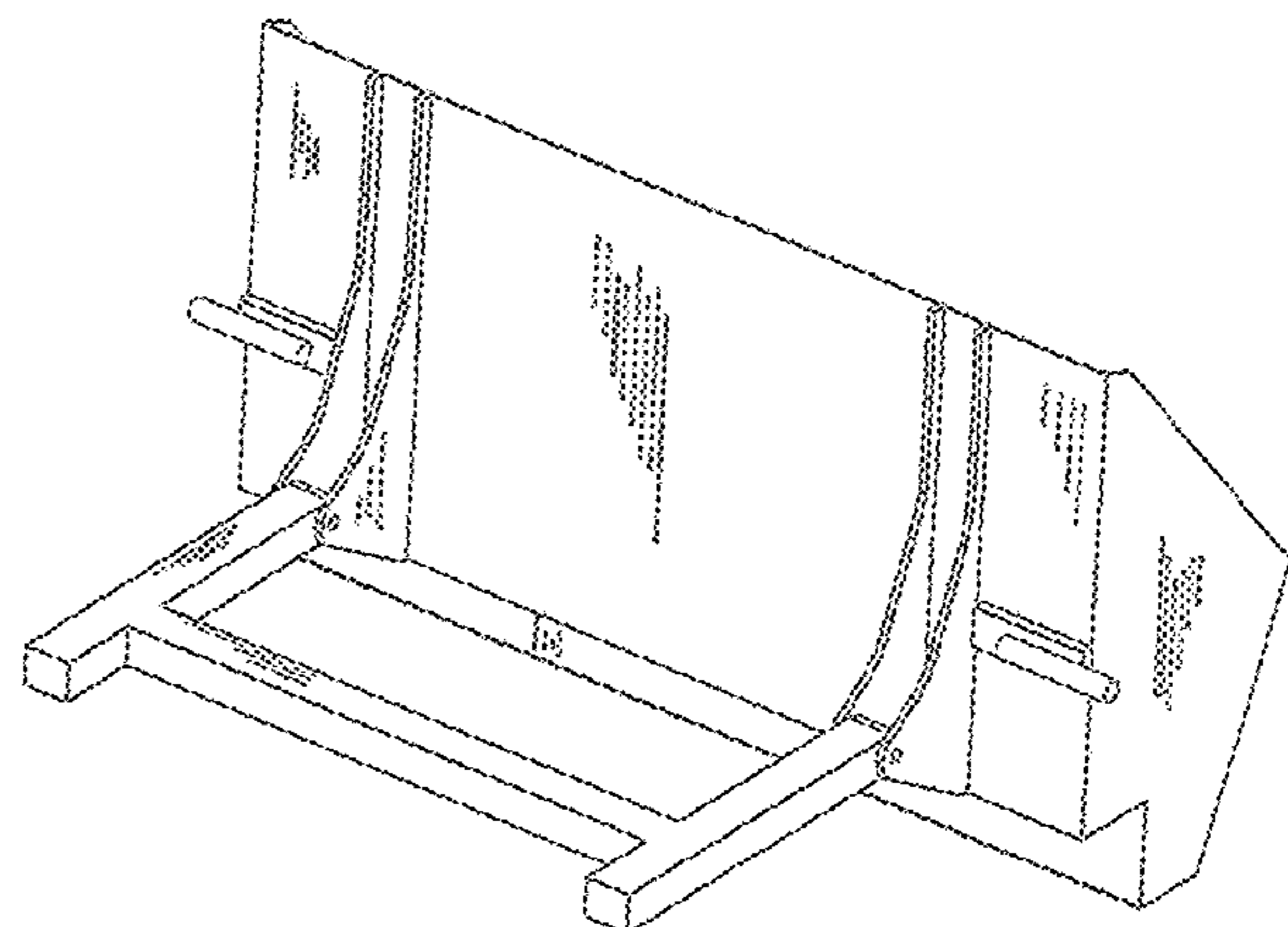
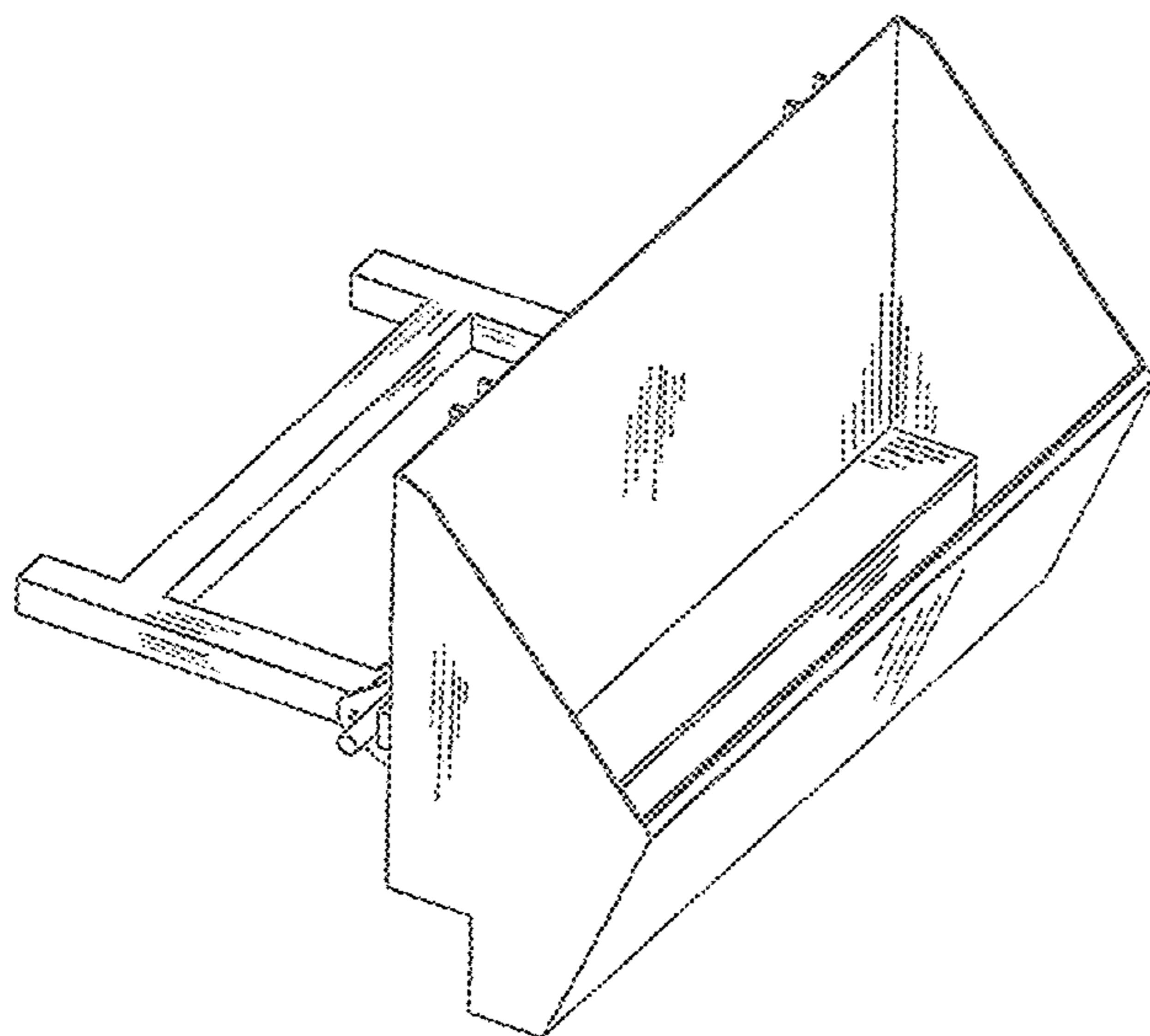
(57) **CLAIM**

The ornamental design for a pivotable transfer container for mounting in a building wall, as shown and described.

DESCRIPTION

FIG. 1 is a front perspective view of a pivotable transfer container for mounting in a building wall, showing my new design;
FIG. 2 is a rear perspective view thereof;
FIG. 3 is a rear view thereof;
FIG. 4 is a front view thereof;
FIG. 5 is a side view thereof;
FIG. 6 is opposite side view thereof;
FIG. 7 is a top view thereof; and,
FIG. 8 is a bottom view thereof.

1 Claim, 4 Drawing Sheets



(56)

References Cited

U.S. PATENT DOCUMENTS

D220,091	S	*	3/1971	Francis	D25/35
D220,092	S	*	3/1971	Francis	D25/35
D222,187	S	*	10/1971	Stephens	D99/33
D225,215	S	*	11/1972	Francis	D25/35
D226,841	S	*	5/1973	Francis	D25/35
D226,946	S	*	5/1973	Francis	D25/35
D226,947	S	*	5/1973	Francis	D25/35
D226,948	S	*	5/1973	Francis	D25/35
D226,949	S	*	5/1973	Francis	D25/35
D227,005	S	*	5/1973	Francis	D25/35
D227,088	S	*	6/1973	Francis	D25/35
D227,353	S	*	6/1973	Francis	D25/35
3,749,302	A	*	7/1973	White	A47G 29/12 232/19
3,813,029	A	*	5/1974	Ostrom	A47G 29/121 232/17
D283,747	S	*	5/1986	Margiloff	D99/33
D396,063	S	*	7/1998	Elmer	D19/75
D400,588	S	*	11/1998	Elmer	D19/75
D476,792	S	*	7/2003	Macari	D99/29
D678,654	S	*	3/2013	Farentinos	D99/33
D678,655	S	*	3/2013	Farentinos	D99/33
D802,879	S	*	11/2017	Kelly	D99/33
D805,718	S	*	12/2017	Kelly	D99/33
D805,719	S	*	12/2017	Kelly	D99/33

* cited by examiner

FIG. 1.

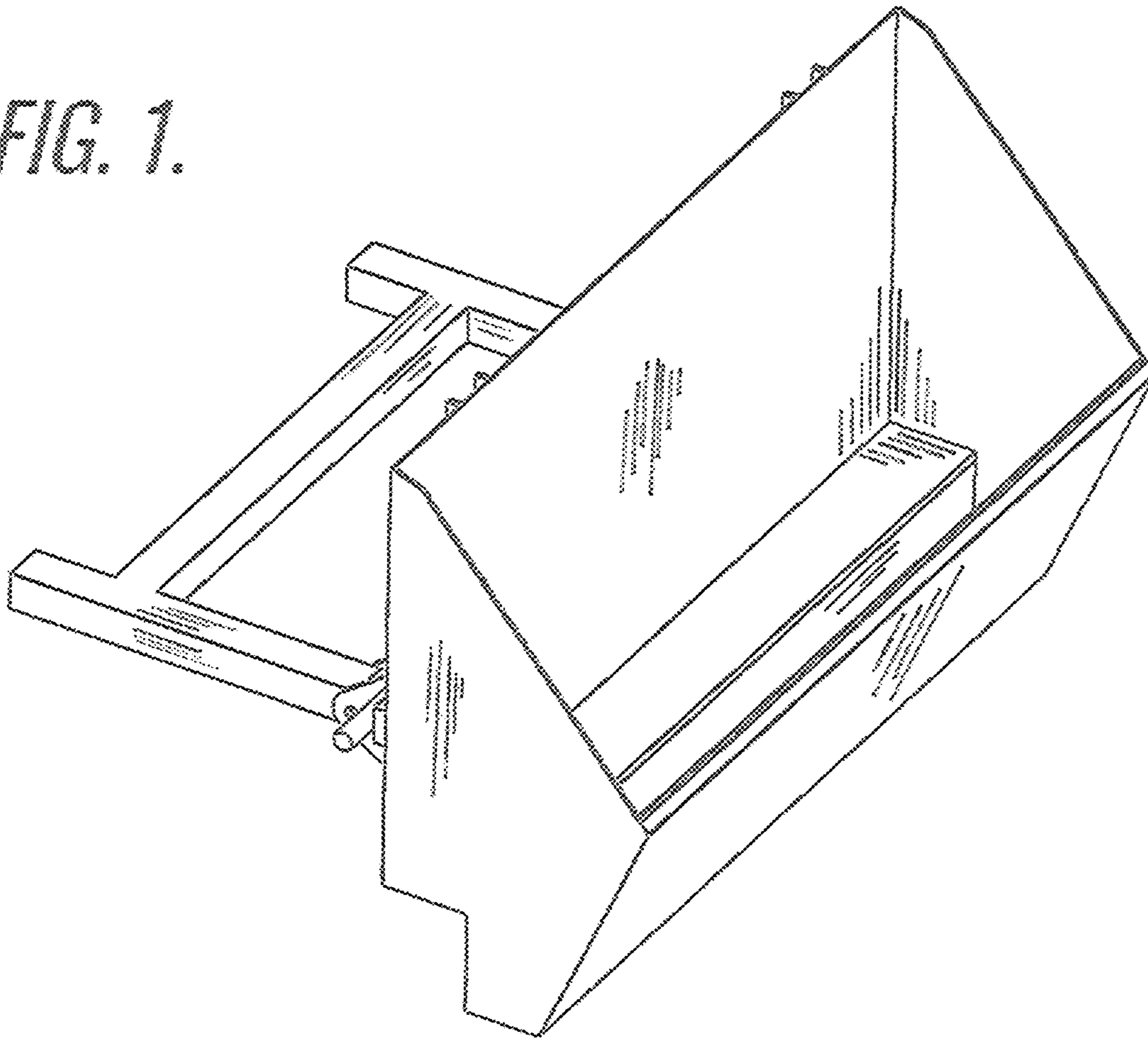


FIG. 2.

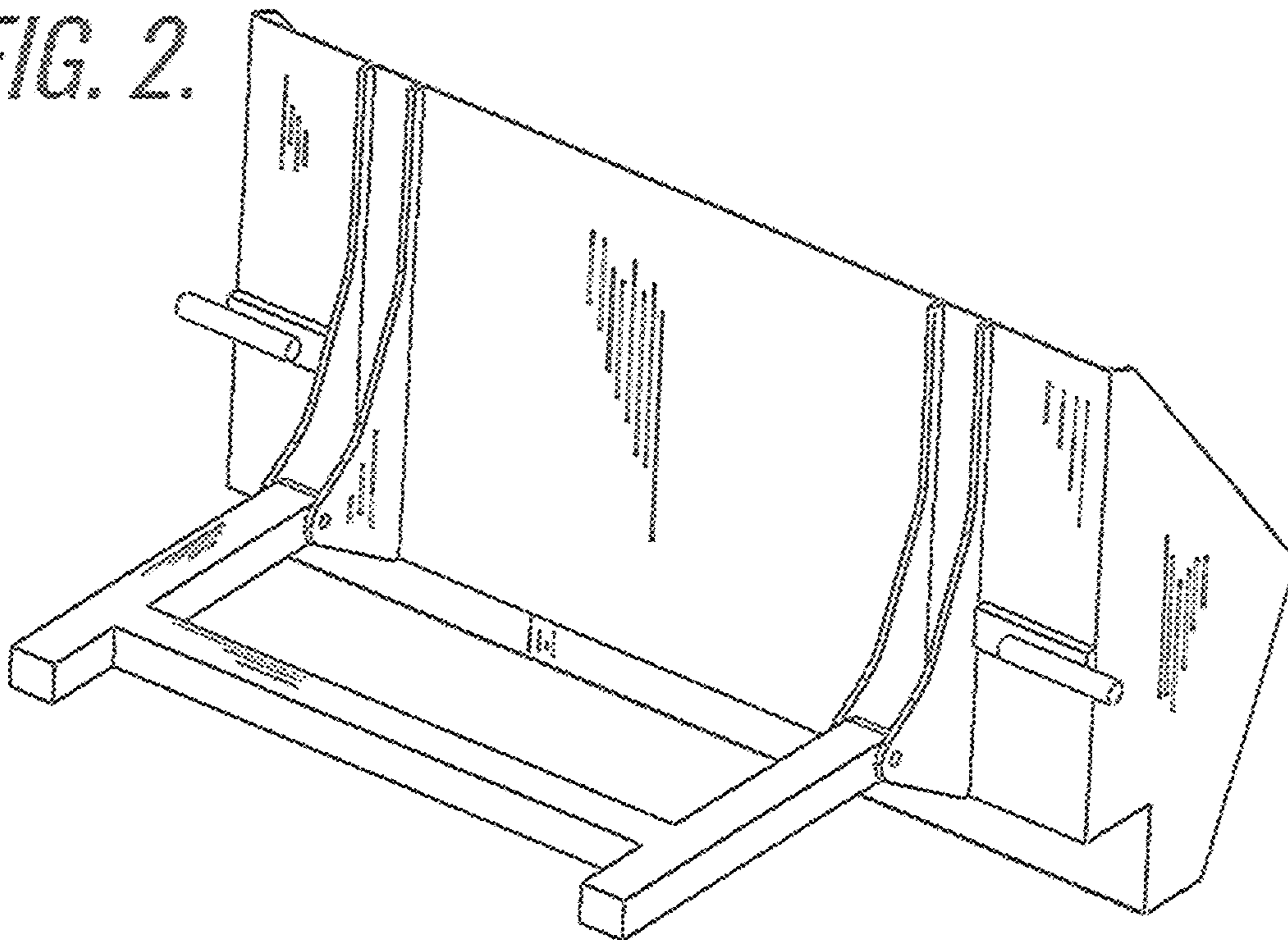


FIG. 3.

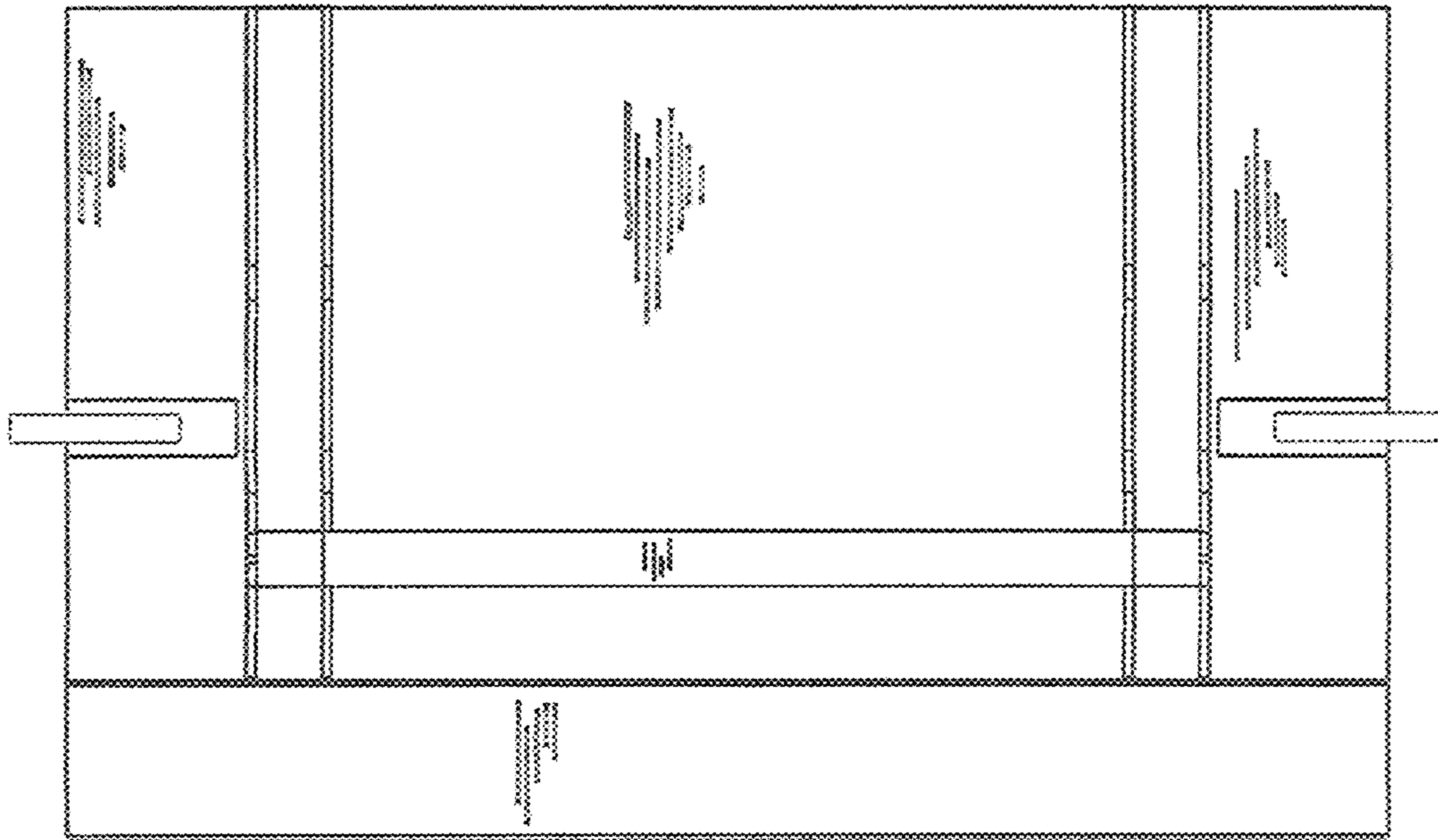


FIG. 4.

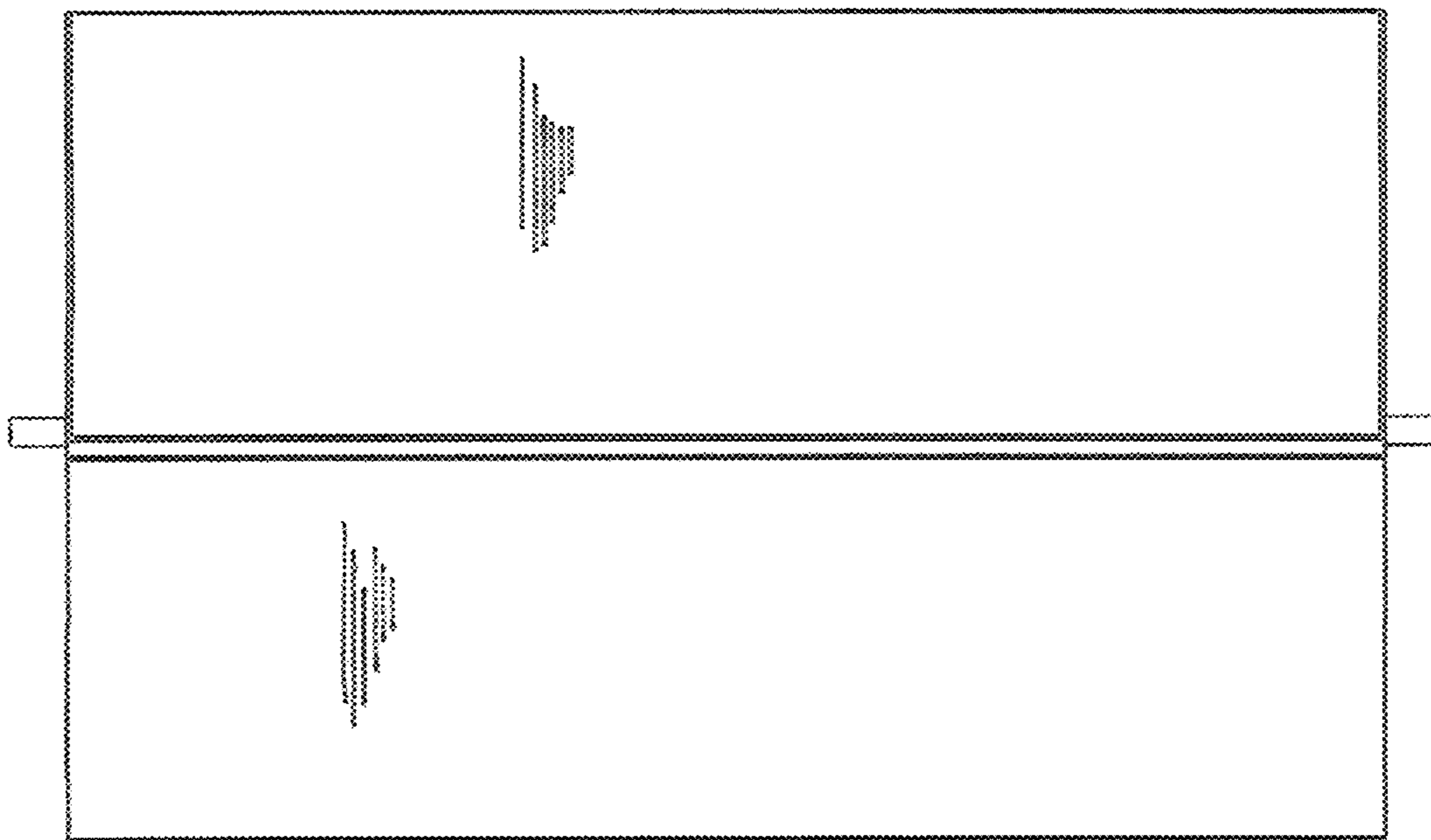


FIG. 5.

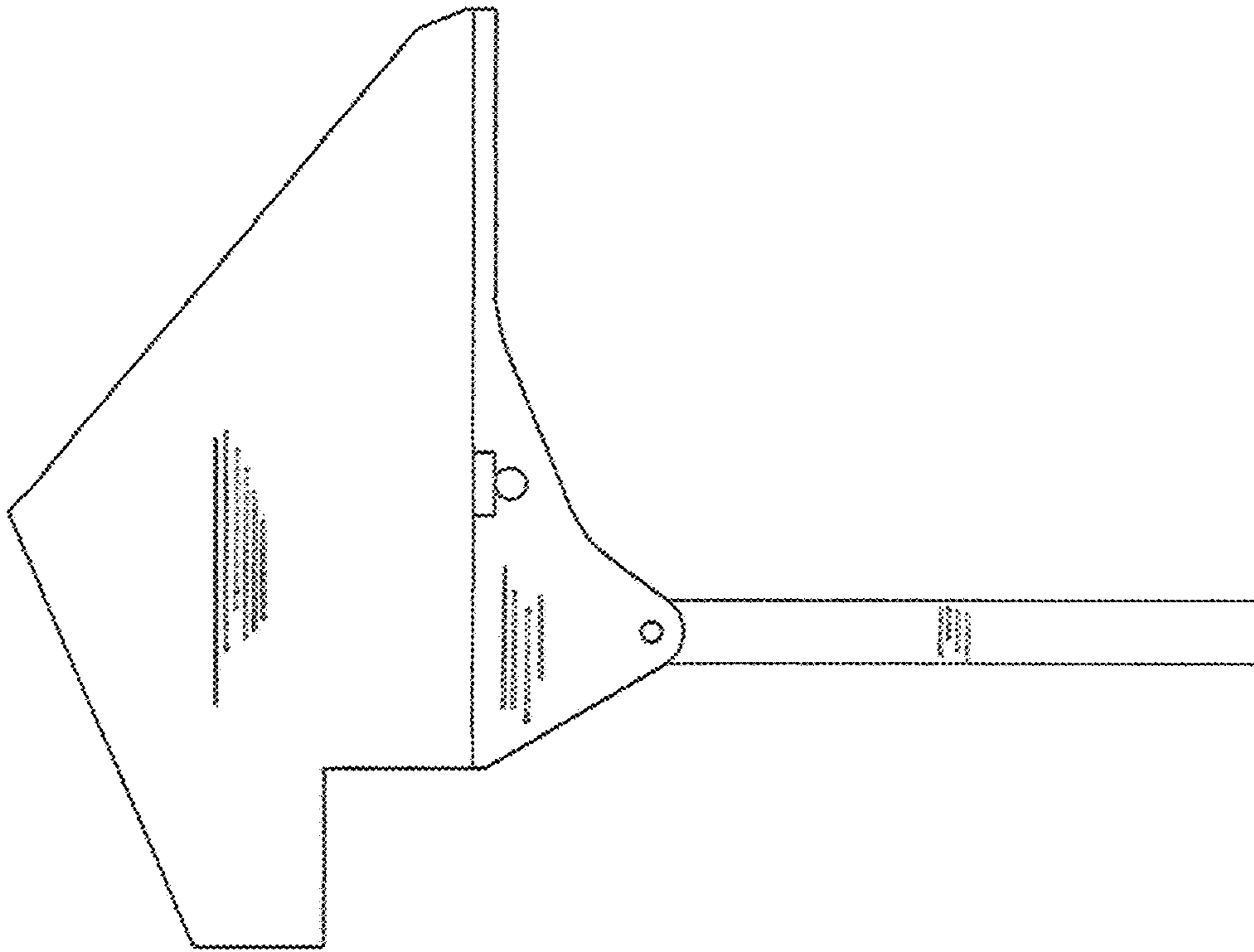


FIG. 6.

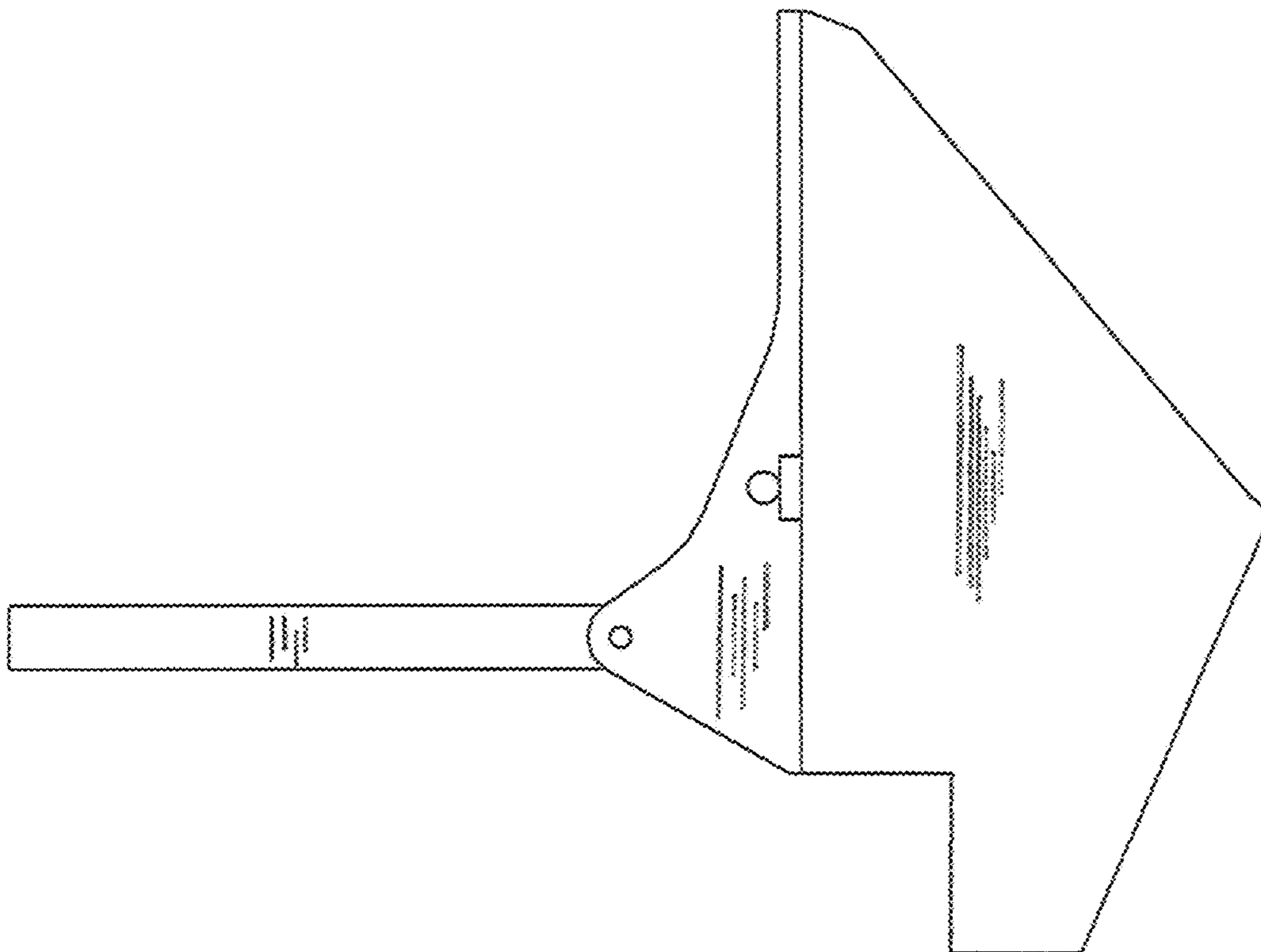


FIG. 7.

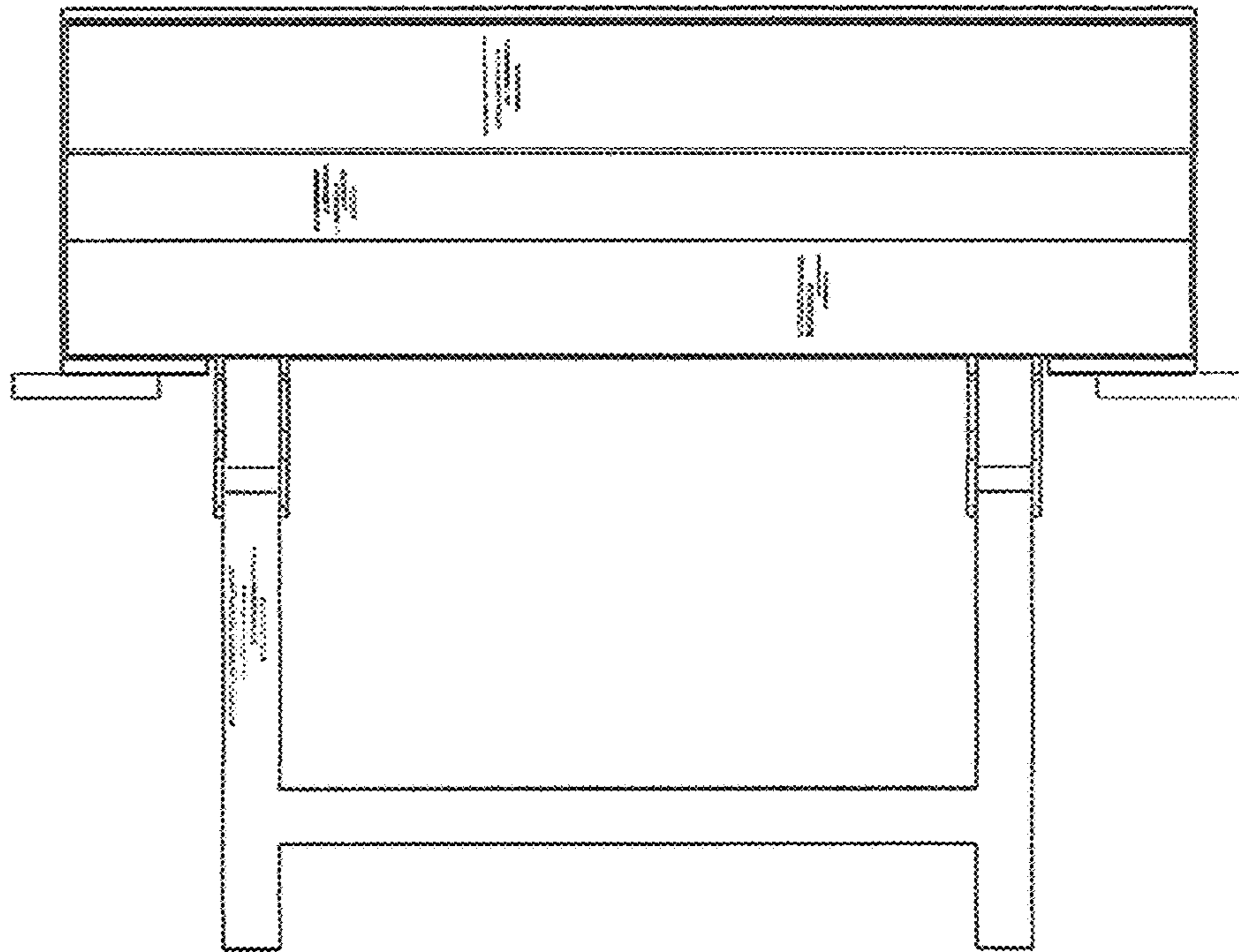


FIG. 8.

