



US00D877441S

(12) **United States Design Patent**
Zhou

(10) **Patent No.:** **US D877,441 S**

(45) **Date of Patent:** **** Mar. 3, 2020**

(54) **WASTE RECEPTACLE**

(71) Applicant: **Jian-Hua Zhou**, Taizhou (CN)

(72) Inventor: **Jian-Hua Zhou**, Taizhou (CN)

(**) Term: **15 Years**

(21) Appl. No.: **29/648,876**

(22) Filed: **May 24, 2018**

(30) **Foreign Application Priority Data**

Apr. 16, 2018 (CN) 2018 3 0155724

(51) **LOC (12) Cl.** **09-09**

(52) **U.S. Cl.**
USPC **D34/9**

(58) **Field of Classification Search**
USPC D34/1, 7, 8, 9, 10, 11
CPC B65F 1/163; B65F 1/16; B65F 1/0006;
B65F 1/1607; B65F 1/02; B65F 1/1421;
B65F 2250/12; B65F 2250/116
See application file for complete search history.

(56) **References Cited**

U.S. PATENT DOCUMENTS

D330,618 S *	10/1992	Browning	D34/1
D332,334 S *	1/1993	Jones	D34/1
D644,390 S *	8/2011	Smeets	D34/7
D657,108 S *	4/2012	Yang	D34/7
D730,007 S *	5/2015	Machen	D34/1
D734,912 S *	7/2015	Ho	D34/7
D761,514 S *	7/2016	Harbhajan	D34/1

D793,642 S *	8/2017	Yang	D34/7
D795,521 S *	8/2017	Han	D34/7
D804,133 S *	11/2017	Yang	D34/9
D837,473 S *	1/2019	Magnuson	D34/9
D842,573 S *	3/2019	Smeets	D34/9
D853,067 S *	7/2019	Chen	D34/9
2009/0230131 A1 *	9/2009	McDuffie	B65F 1/06 220/495.06
2018/0257859 A1 *	9/2018	Shek	B65F 1/163
2019/0062046 A1 *	2/2019	Flores	B65F 1/062

* cited by examiner

Primary Examiner — Cynthia Ramirez

(74) *Attorney, Agent, or Firm* — Chun-Ming Shih

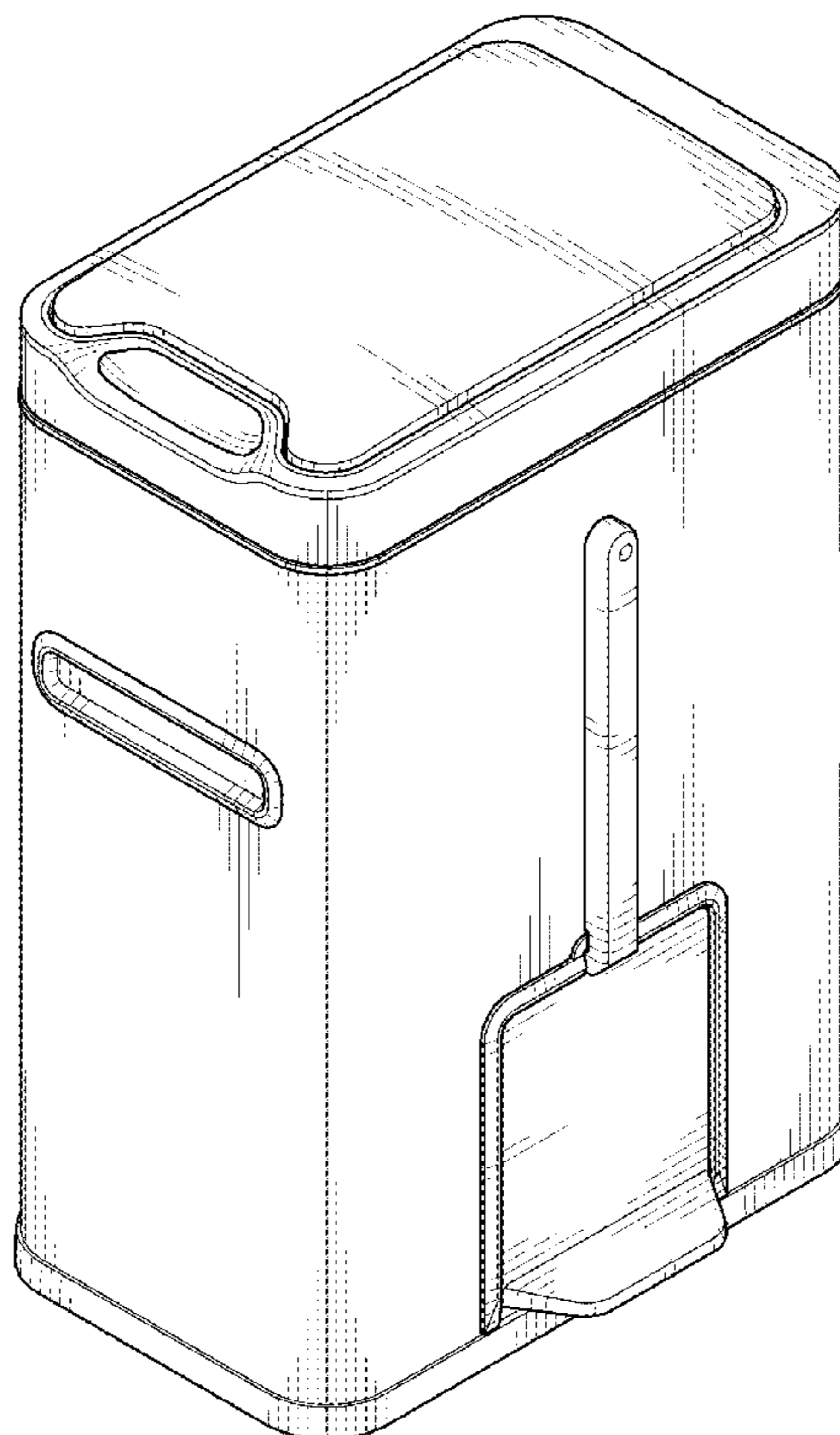
(57) **CLAIM**

The ornamental design for the waste receptacle, as show and described.

DESCRIPTION

FIG. 1 is a perspective view of a waste receptacle according to the present invention;
FIG. 2 is a front elevation view of FIG. 1;
FIG. 3 is a rear elevation view FIG. 1;
FIG. 4 is a left side view of FIG. 1;
FIG. 5 is a right side view of FIG. 1;
FIG. 6 is a top plan view of FIG. 1; and,
FIG. 7 is a bottom view of FIG. 1.
The broken lines shown in the figures are included for the purpose of illustrating portions of the waste receptacle and form no part of the claimed design.

1 Claim, 7 Drawing Sheets



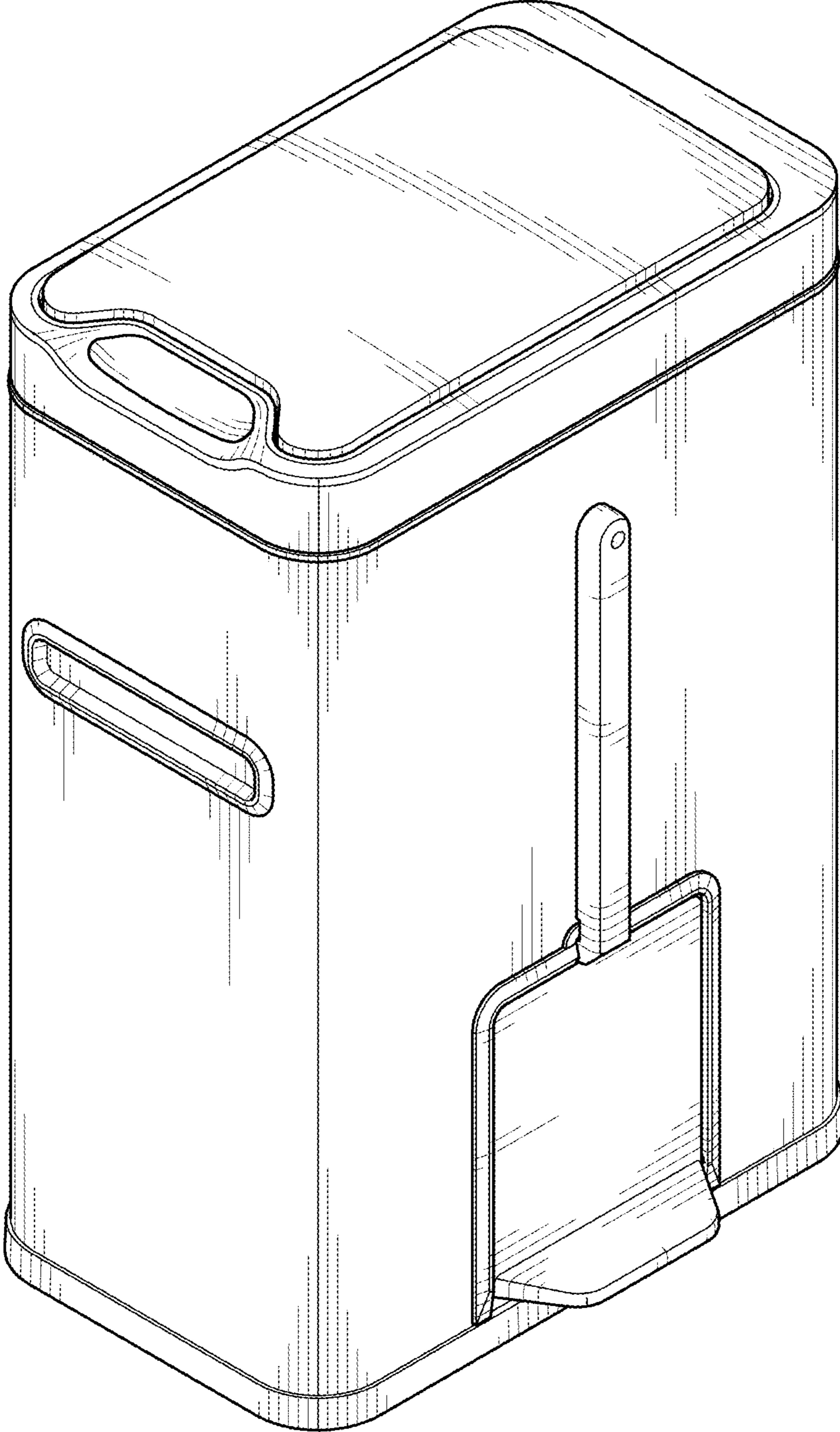


FIG. 1

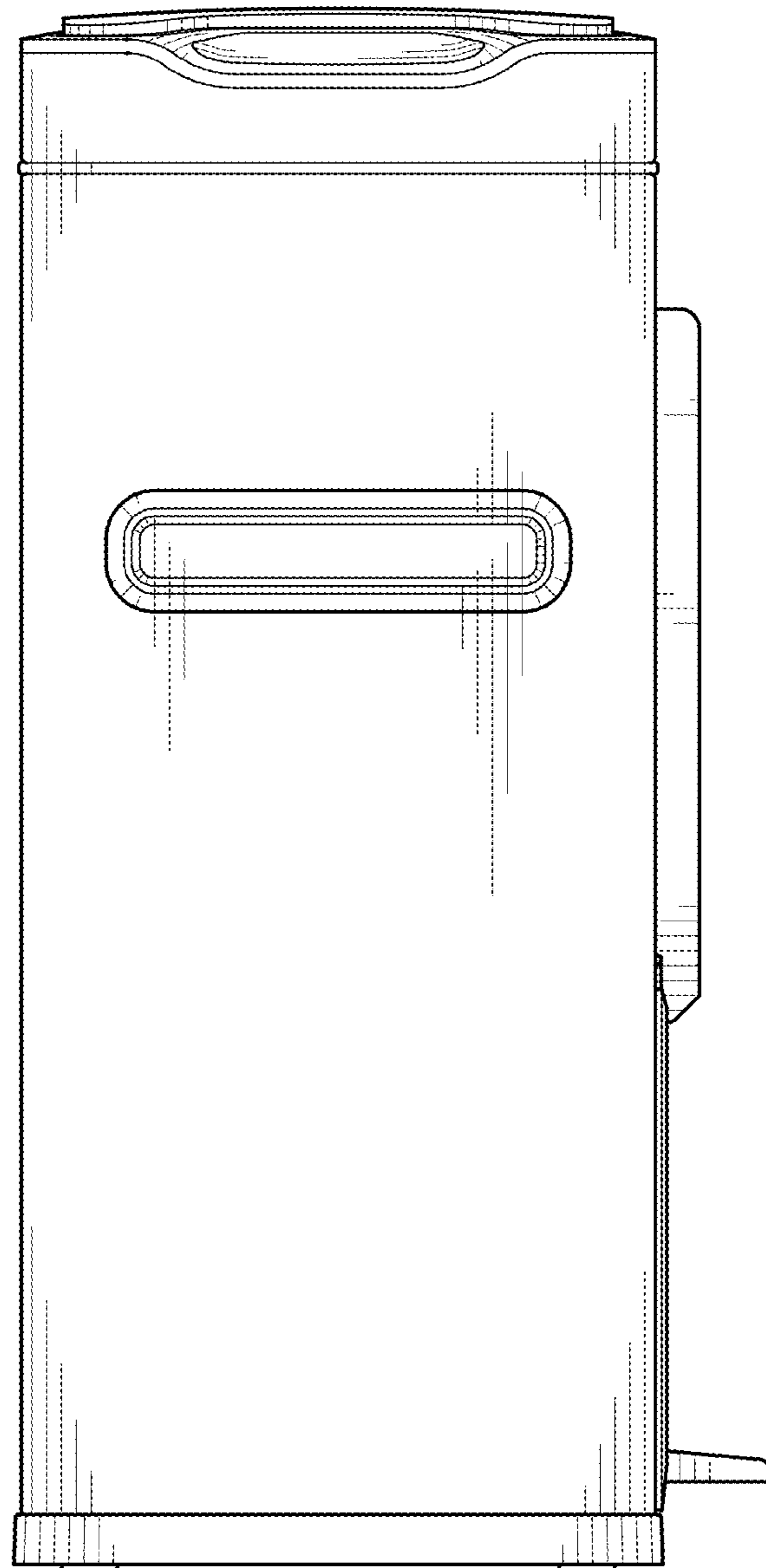


FIG. 2

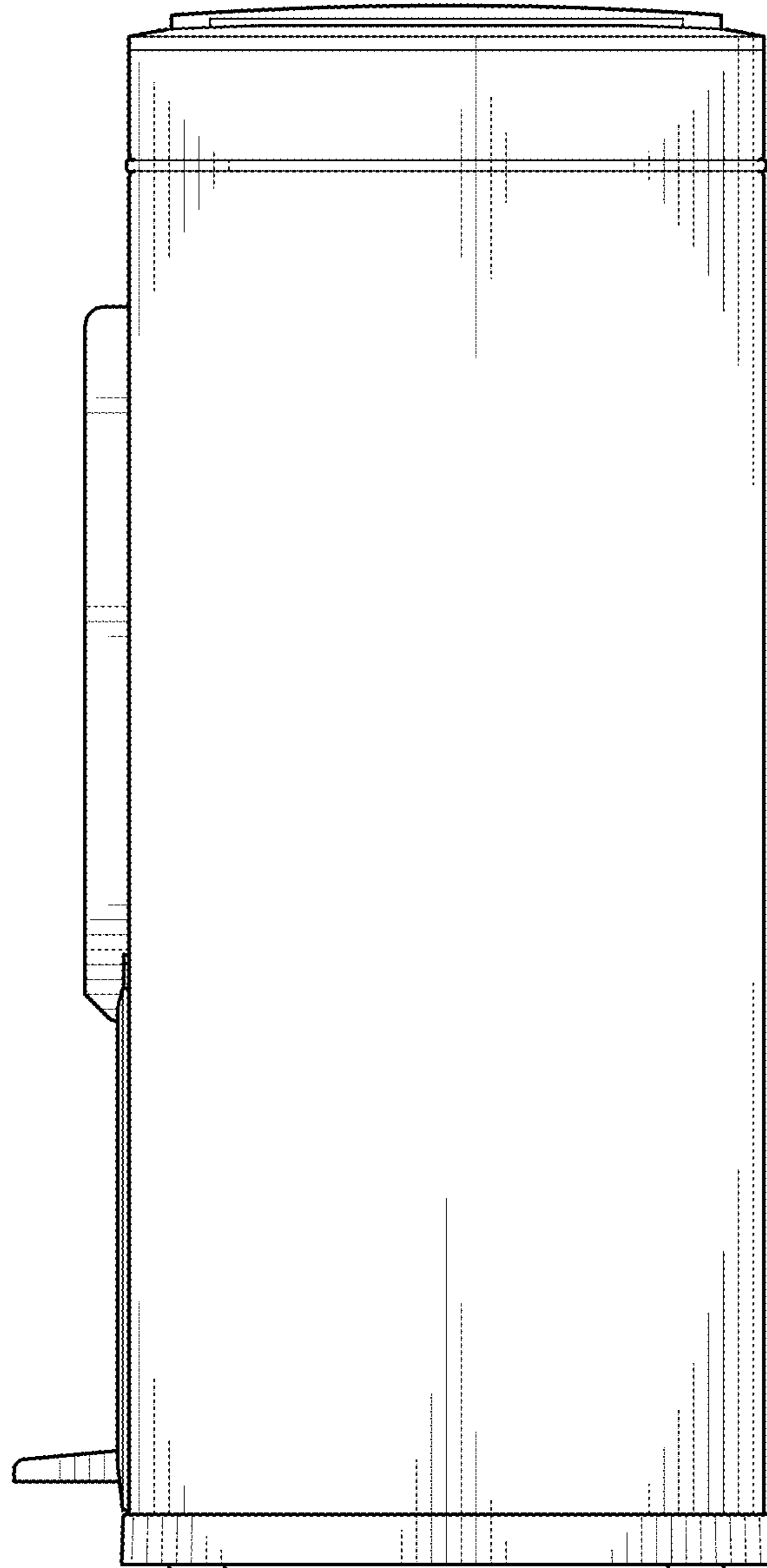


FIG. 3

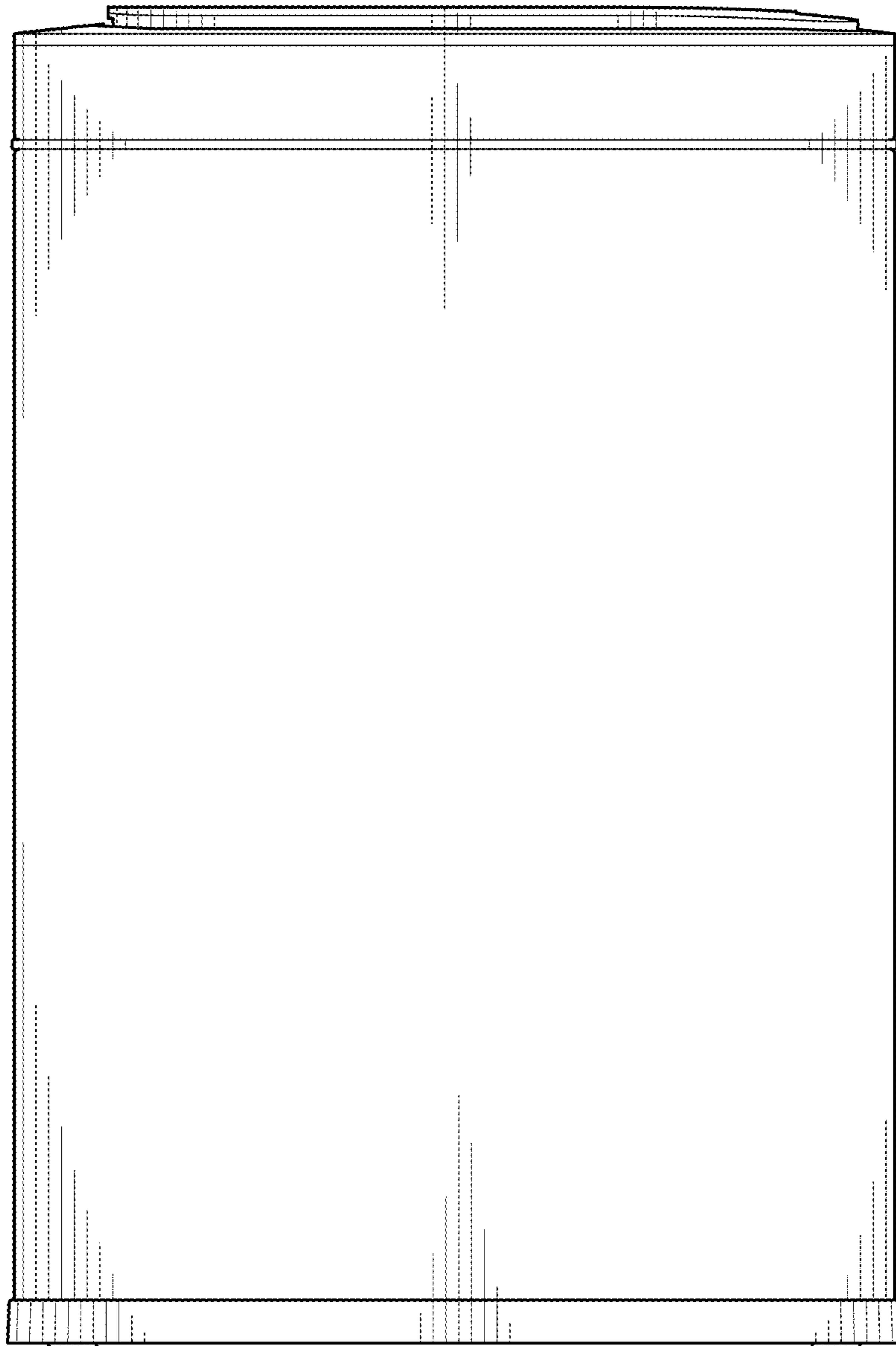


FIG. 4

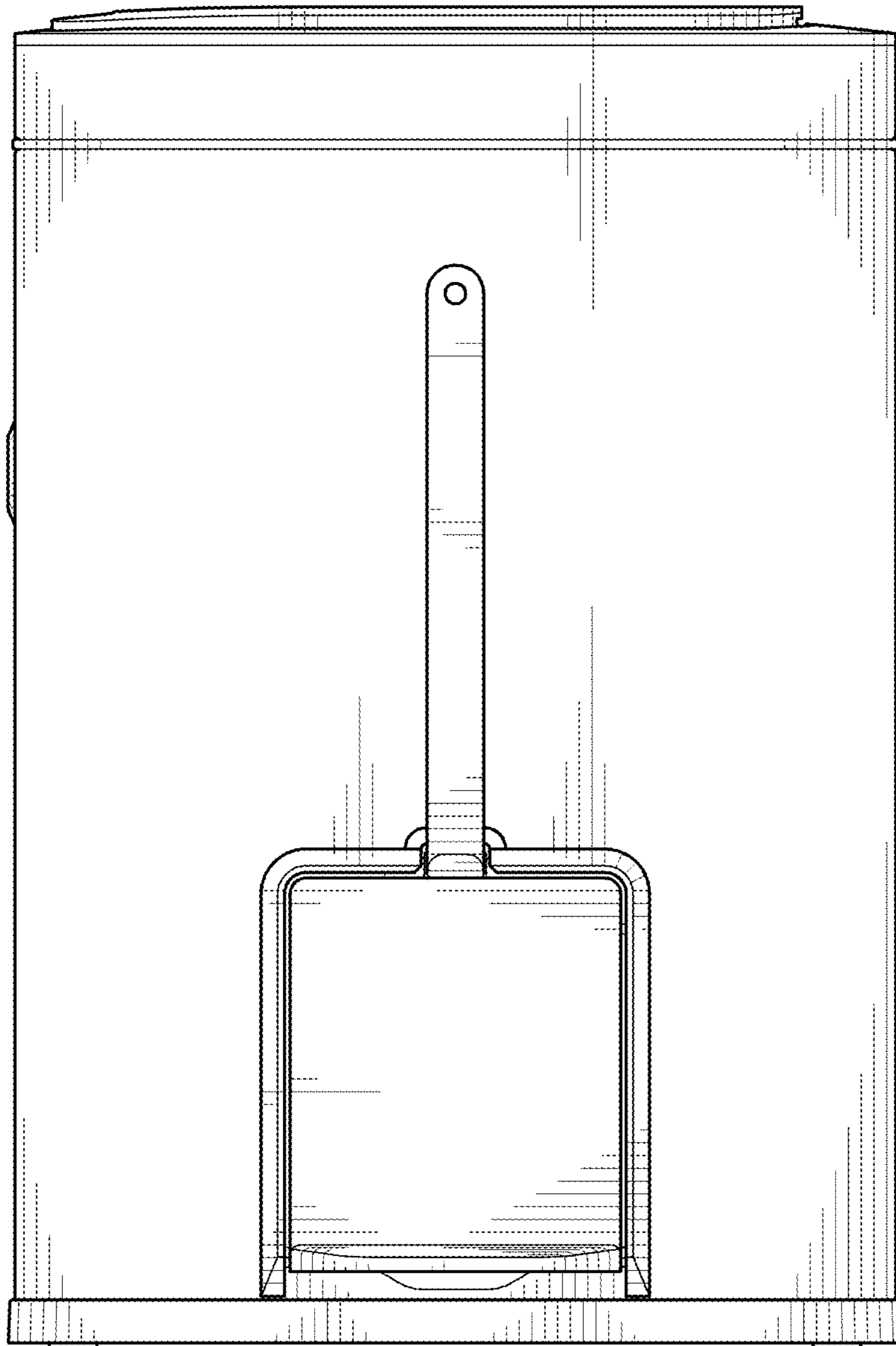


FIG. 5

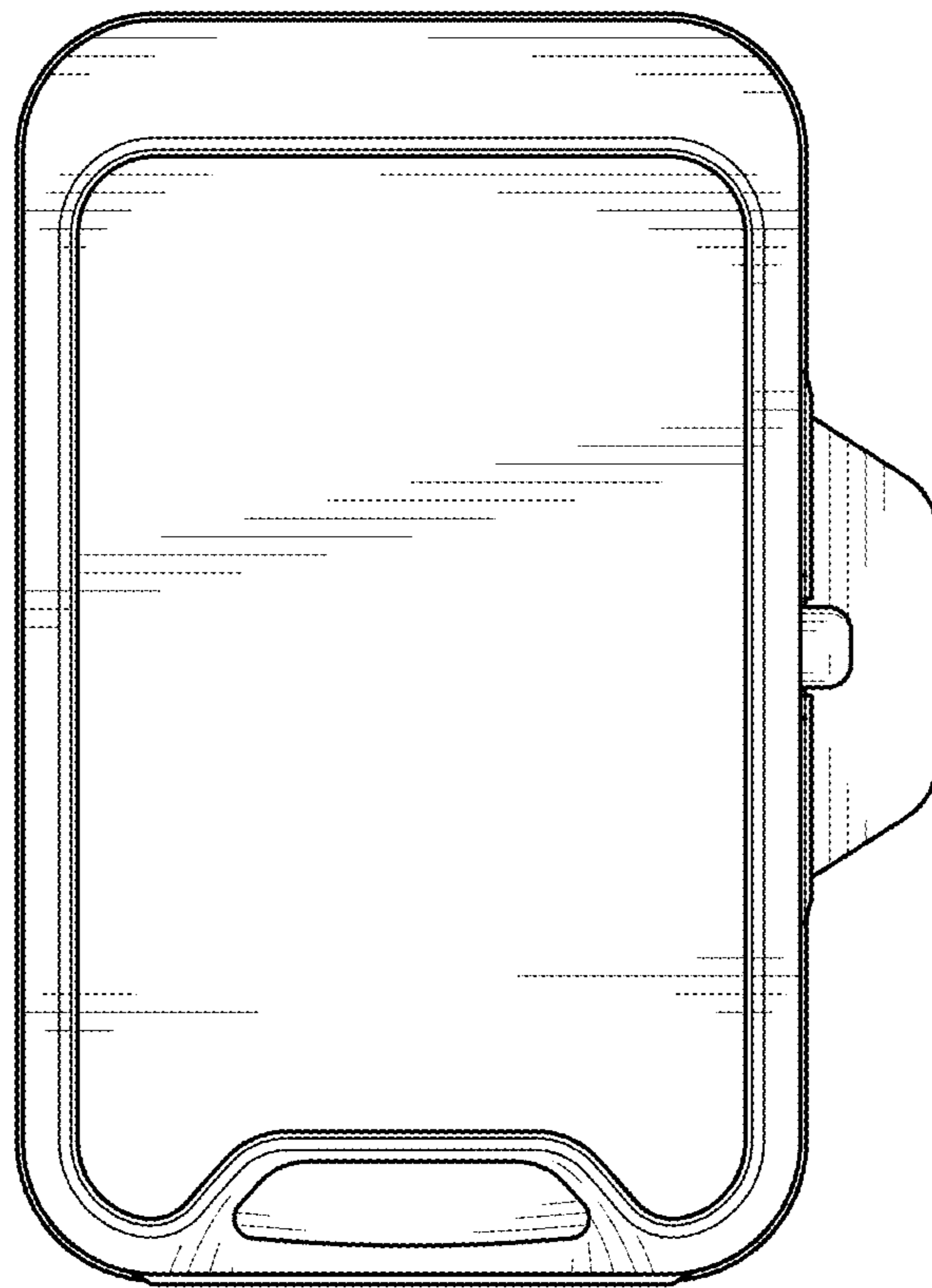


FIG. 6

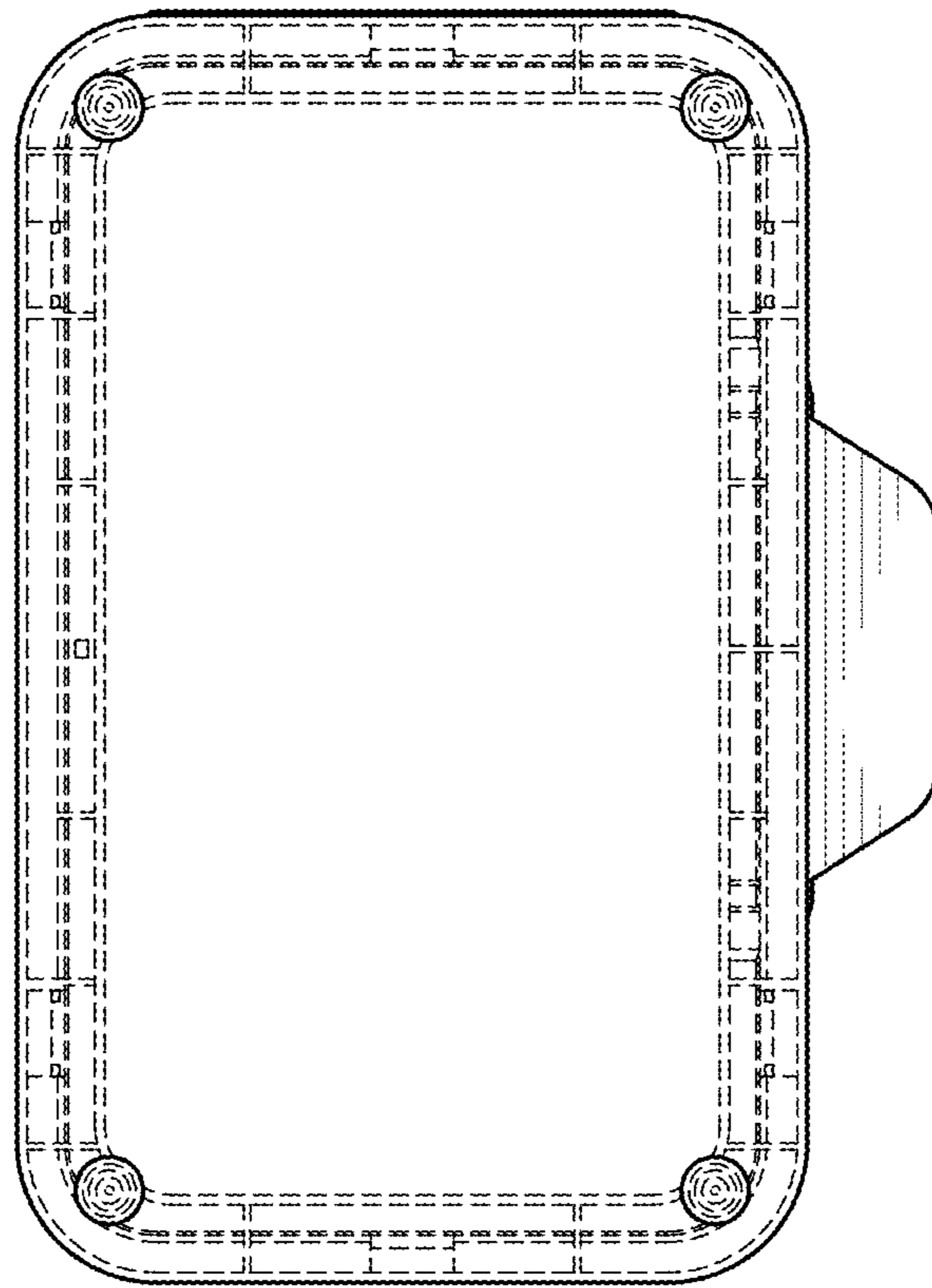


FIG. 7